

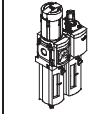
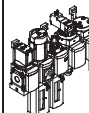
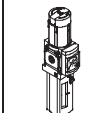
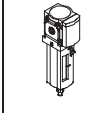
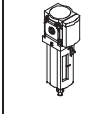
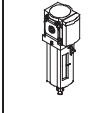
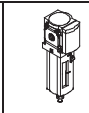
Pressure regulators MS-LR/LRB/LRP/LRPB/LRE, MS series



Pressure regulators MS-LR/LRB/LRP/LRPB/LRE, MS series

FESTO

Product range overview – MS series service units

Type	Size	Pneumatic connection in housing	Connecting plate	Pressure regulation range [bar]						Grade of filtration [µm]			
				0.05 ...	0.05 ...	0.1 ...	0.3 ...	0.1 ...	0.5 ...	0.01	1	5	40
Code			AG...	D2	D4	D5	D6	D7	D8	A	B	C	E
Service units													
MSB-FRC 	4	G1/8, G1/4	G1/8, G1/4, G3/8	-	-	-	■	■	-	-	-	■	■
	6	G1/4, G3/8, G1/2	G1/4, G3/8, G1/2, G3/4	-	-	-	■	■	-	-	-	■	■
	9	-	-	-	-	-	-	-	-	-	-	-	-
	12	-	-	-	-	-	-	-	-	-	-	-	-
Service unit combinations (further variants can be ordered using the configurator → Internet: msb4, msb6 or msb9)													
MSB 	4	G1/4	G1/8, G1/4, G3/8	-	-	-	■	■	-	-	-	■	■
	6	G1/2	G1/4, G3/8, G1/2, G3/4	-	-	-	■	■	-	-	-	■	■
	9	-	-	-	-	-	-	-	-	-	-	-	-
	12	-	-	-	-	-	-	-	-	-	-	-	-
Individual devices													
Filter regulators MS-LFR 	4	G1/8, G1/4	G1/8, G1/4, G3/8	-	-	■	■	■	-	-	-	■	■
	6	G1/4, G3/8, G1/2	G1/4, G3/8, G1/2, G3/4	-	-	■	■	■	■	-	-	■	■
	9	G3/4, G1	G1/2, G3/4, G1, G1 1/4, G1 1/2	-	-	■	■	■	■	-	-	■	■
	12	-	G1, G1 1/4, G1 1/2, G2	-	-	-	■	■	■	-	-	■	■
Filters MS-LF 	4	G1/8, G1/4	G1/8, G1/4, G3/8	-	-	-	-	-	-	-	-	■	■
	6	G1/4, G3/8, G1/2	G1/4, G3/8, G1/2, G3/4	-	-	-	-	-	-	-	-	■	■
	9	G3/4, G1	G1/2, G3/4, G1, G1 1/4, G1 1/2	-	-	-	-	-	-	-	-	■	■
	12	-	G1, G1 1/4, G1 1/2, G2	-	-	-	-	-	-	-	-	■	■
Fine and micro filters MS-LFM 	4	G1/8, G1/4	G1/8, G1/4, G3/8	-	-	-	-	-	-	■	■	-	-
	6	G1/4, G3/8, G1/2	G1/4, G3/8, G1/2, G3/4	-	-	-	-	-	-	■	■	-	-
	9	G3/4, G1	G1/2, G3/4, G1, G1 1/4, G1 1/2	-	-	-	-	-	-	■	■	-	-
	12	-	G1, G1 1/4, G1 1/2, G2	-	-	-	-	-	-	■	■	-	-
Activated carbon filters MS-LFX 	4	G1/8, G1/4	G1/8, G1/4, G3/8	-	-	-	-	-	-	-	-	-	-
	6	G1/4, G3/8, G1/2	G1/4, G3/8, G1/2, G3/4	-	-	-	-	-	-	-	-	-	-
	9	G3/4, G1	G1/2, G3/4, G1, G1 1/4, G1 1/2	-	-	-	-	-	-	-	-	-	-
	12	-	G1, G1 1/4, G1 1/2, G2	-	-	-	-	-	-	-	-	-	-
Water separators MS-LWS 	4	-	-	-	-	-	-	-	-	-	-	-	-
	6	G1/4, G3/8, G1/2	G1/4, G3/8, G1/2, G3/4	-	-	-	-	-	-	-	-	-	-
	9	G3/4, G1	G1/2, G3/4, G1, G1 1/4, G1 1/2	-	-	-	-	-	-	-	-	-	-
	12	-	G1, G1 1/4, G1 1/2, G2	-	-	-	-	-	-	-	-	-	-

Pressure regulators MS-LR/LRB/LRP/LRPB/LRE, MS series

Product range overview – MS series service units

Type	Size	Bowl guard		Condensate drains			Pressure indicator					Security		Options		→ Page/ Internet	
		Plastic bowl with plastic bowl guard	Metal bowl	Manual rotary	Semi-automatic	Fully automatic	External, fully automatic, electrical	Cover plate (without pressure gauge)	Integrated MS pressure gauge	Adapter plate for EN pressure gauge G1/8	Adapter plate for EN pressure gauge G1/4	Pressure sensor	Rotary knob with detent, lockable via accessories	Rotary knob with integrated lock	Silencer		Flow direction from right to left
Code		R	U	M	H	V	E...	VS	AG	A8	A4	AD...	AS	E11	S	Z	
Service units																	
MSB-FRC	4	■	-	■	-	■	-	-	■	-	-	-	■	-	-	■	msb4
	6	■	■	■	-	■	-	-	■	-	-	-	■	-	-	■	msb6
	9	-	-	-	-	-	-	-	-	-	-	-	-	-	-	-	-
	12	-	-	-	-	-	-	-	-	-	-	-	-	-	-	-	-
Service unit combinations																	
MSB	4	■	■	■	-	■	-	-	■	-	-	-	■	-	-	■	msb4
	6	■	■	■	-	■	-	-	■	-	-	-	■	-	-	■	msb6
	9	-	-	-	-	-	-	-	-	-	-	-	-	-	-	-	-
	12	-	-	-	-	-	-	-	-	-	-	-	-	-	-	-	-
Individual devices																	
Filter regulators MS-LFR	4	■	■	■	■	■	-	■	■	■	■	■	■	■	-	■	ms4-lfr
	6	■	■	■	■	■	■	■	■	-	■	■	■	■	-	■	ms6-lfr
	9	-	■	■	■	■	■	■	■	-	■	■	■	■	-	■	ms9-lfr
	12	-	■	■	-	■	■	■	■	-	■	-	■	■	-	■	ms12-lfr
Filters MS-LF	4	■	■	■	■	■	-	-	-	-	-	-	-	-	-	■	ms4-lf
	6	■	■	■	■	■	■	-	-	-	-	-	-	-	-	■	ms6-lf
	9	-	■	■	■	■	■	-	-	-	-	-	-	-	-	■	ms9-lf
	12	-	■	■	-	■	■	-	-	-	-	-	-	-	-	■	ms12-lf
Fine and micro filters MS-LFM	4	■	■	■	■	■	-	-	-	-	-	-	-	-	-	■	ms4-lfm
	6	■	■	■	■	■	■	-	-	-	-	-	-	-	-	■	ms6-lfm
	9	-	■	■	■	■	■	-	-	-	-	-	-	-	-	■	ms9-lfm
	12	-	■	■	-	■	■	-	-	-	-	-	-	-	-	■	ms12-lfm
Activated carbon filters MS-LFX	4	■	■	-	-	-	-	-	-	-	-	-	-	-	-	■	ms4-lfx
	6	■	■	-	-	-	-	-	-	-	-	-	-	-	-	■	ms6-lfx
	9	-	■	-	-	-	-	-	-	-	-	-	-	-	-	■	ms9-lfx
	12	-	■	-	-	-	-	-	-	-	-	-	-	-	-	■	ms12-lfx
Water separators MS-LWS	4	-	-	-	-	-	-	-	-	-	-	-	-	-	-	-	-
	6	-	■	-	-	■	■	-	-	-	-	-	-	-	-	■	ms6-lws
	9	-	■	-	-	■	■	-	-	-	-	-	-	-	-	■	ms9-lws
	12	-	■	-	-	■	■	-	-	-	-	-	-	-	-	■	ms12-lws

Pressure regulators MS-LR/LRB/LRP/LRPB/LRE, MS series



Product range overview – MS series service units

Type	Size	Pneumatic connection in housing	Connecting plate	Pressure regulation range [bar]						Supply voltage				
				0.05 ... 0.7	0.05 ... 2.5	0.1 ... 4	0.3 ... 7	0.1 ... 12	0.5 ... 16	24 V DC, connection pattern to EN 175301	24 V DC, connection M12 to IEC 61076-2-101	110 V AC, connection pattern to EN 175301	230 V AC, connection pattern to EN 175301	
Code			AG...	D2	D4	D5	D6	D7	D8	V24	V24P	V110	V230	
Individual devices														
Pressure regulators MS-LR		4	G1/8, G1/4	G1/8, G1/4, G3/8	-	-	■	■	■	-	-	-	-	
		6	G1/4, G3/8, G1/2	G1/4, G3/8, G1/2, G3/4	-	-	■	■	■	■	-	-	-	-
		9	G3/4, G1	G1/2, G3/4, G1, G1 1/4, G1 1/2	-	-	■	■	■	■	-	-	-	-
		12	-	G1, G1 1/4, G1 1/2, G2	-	-	-	■	■	■	-	-	-	-
Pressure regulators MS-LRB		4	G1/4	G1/8, G1/4, G3/8	-	-	■	■	■	-	-	-	-	
		6	G1/2	G1/4, G3/8, G1/2, G3/4	-	-	■	■	■	■	-	-	-	-
		9	-	-	-	-	-	-	-	-	-	-	-	-
		12	-	-	-	-	-	-	-	-	-	-	-	-
Precision pressure regulators MS-LRP		4	-	-	-	-	-	-	-	-	-	-	-	
		6	G1/4, G3/8, G1/2	G1/4, G3/8, G1/2, G3/4	■	■	■	-	■	-	-	-	-	-
		9	-	-	-	-	-	-	-	-	-	-	-	-
		12	-	-	-	-	-	-	-	-	-	-	-	-
Precision pressure regulators MS-LRPB		4	-	-	-	-	-	-	-	-	-	-	-	
		6	G1/2	G1/4, G3/8, G1/2, G3/4	■	■	■	-	■	-	-	-	-	-
		9	-	-	-	-	-	-	-	-	-	-	-	-
		12	-	-	-	-	-	-	-	-	-	-	-	-
Electrical pressure regulators MS-LRE		4	-	-	-	-	-	-	-	-	-	-	-	
		6	G1/4, G3/8, G1/2	G1/4, G3/8, G1/2, G3/4	-	-	■	■	■	■	-	-	-	-
		9	-	-	-	-	-	-	-	-	-	-	-	-
		12	-	-	-	-	-	-	-	-	-	-	-	-
Lubricators MS-LOE		4	G1/8, G1/4	G1/8, G1/4, G3/8	-	-	-	-	-	-	-	-	-	
		6	G1/4, G3/8, G1/2	G1/4, G3/8, G1/2, G3/4	-	-	-	-	-	-	-	-	-	-
		9	G3/4, G1	G1/2, G3/4, G1, G1 1/4, G1 1/2	-	-	-	-	-	-	-	-	-	-
		12	-	G1, G1 1/4, G1 1/2, G2	-	-	-	-	-	-	-	-	-	-
On-off valves, manually actuated MS-EM(1)		4	G1/8, G1/4	G1/8, G1/4, G3/8	-	-	-	-	-	-	-	-	-	
		6	G1/4, G3/8, G1/2	G1/4, G3/8, G1/2, G3/4	-	-	-	-	-	-	-	-	-	-
		9	G3/4, G1	G1/2, G3/4, G1, G1 1/4, G1 1/2	-	-	-	-	-	-	-	-	-	-
		12	-	G1, G1 1/4, G1 1/2, G2	-	-	-	-	-	-	-	-	-	-
On-off valves, electrically actuated MS-EE		4	G1/8, G1/4	G1/8, G1/4, G3/8	-	-	-	-	-	-	■	-	■	■
		6	G1/4, G3/8, G1/2	G1/4, G3/8, G1/2, G3/4	-	-	-	-	-	-	■	-	■	■
		9	G3/4, G1	G1/2, G3/4, G1, G1 1/4, G1 1/2	-	-	-	-	-	-	■	■	■	■
		12	-	G1, G1 1/4, G1 1/2, G2	-	-	-	-	-	-	■	■	■	■
Soft-start valves, pneumatically actuated MS-DL		4	G1/8, G1/4	G1/8, G1/4, G3/8	-	-	-	-	-	-	-	-	-	-
		6	G1/4, G3/8, G1/2	G1/4, G3/8, G1/2, G3/4	-	-	-	-	-	-	-	-	-	-
		9	-	-	-	-	-	-	-	-	-	-	-	-
		12	-	G1, G1 1/4, G1 1/2, G2	-	-	-	-	-	-	-	-	-	-
Soft-start valves, electrically actuated MS-DE		4	G1/8, G1/4	G1/8, G1/4, G3/8	-	-	-	-	-	-	■	-	■	■
		6	G1/4, G3/8, G1/2	G1/4, G3/8, G1/2, G3/4	-	-	-	-	-	-	■	-	■	■
		9	-	-	-	-	-	-	-	-	-	-	-	-
		12	-	G1, G1 1/4, G1 1/2, G2	-	-	-	-	-	-	■	■	■	■

Pressure regulators MS-LR/LRB/LRP/LRPB/LRE, MS series

Product range overview – MS series service units

Type	Size	Bowl guard		Pressure indicator				Security		Options		→ Page/ Internet	
		Plastic bowl with plastic bowl guard	Metal bowl	Cover plate (without pressure gauge)	Integrated MS pressure gauge	Adapter plate for EN pressure gauge G1/8	Adapter plate for EN pressure gauge G1/4	Pressure sensor	Rotary knob with detent, lockable via accessories	Rotary knob with integrated lock	Silencer		Flow direction from right to left
Code		R	U	VS	AG	A8	A4	AD...	AS	E11	S	Z	
Individual devices													
Pressure regulators MS-LR	4	-	-	■	■	■	■	■	■	■	-	■	8
	6	-	-	■	■	-	■	■	■	■	-	■	8
	9	-	-	■	■	-	■	■	■	■	-	■	76
	12	-	-	■	■	-	■	-	■	■	-	■	88
Pressure regulators MS-LRB	4	-	-	■	■	■	■	■	■	■	-	■	22
	6	-	-	■	■	-	■	■	■	■	-	■	22
	9	-	-	-	-	-	-	-	-	-	-	-	-
	12	-	-	-	-	-	-	-	-	-	-	-	-
Precision pressure regulators MS-LRP	4	-	-	■	-	■	■	■	■	■	-	■	36
	6	-	-	■	-	■	■	■	■	■	-	■	36
	9	-	-	-	-	-	-	-	-	-	-	-	-
	12	-	-	-	-	-	-	-	-	-	-	-	-
Precision pressure regulators MS-LRPB	4	-	-	■	-	■	■	■	■	■	-	■	50
	6	-	-	■	-	■	■	■	■	■	-	■	50
	9	-	-	-	-	-	-	-	-	-	-	-	-
	12	-	-	-	-	-	-	-	-	-	-	-	-
Electrical pressure regulators MS-LRE	4	-	-	■	■	-	■	-	-	-	-	■	-
	6	-	-	■	■	-	■	-	-	-	-	■	66
	9	-	-	-	-	-	-	-	-	-	-	-	-
	12	-	-	-	-	-	-	-	-	-	-	-	-
Lubricators MS-LOE	4	■	■	-	-	-	-	-	-	-	-	■	ms4-loe
	6	■	■	-	-	-	-	-	-	-	-	■	ms6-loe
	9	-	■	-	-	-	-	-	-	-	-	■	ms9-loe
	12	-	■	-	-	-	-	-	-	-	-	■	ms12-loe
On-off valves, manually actuated MS-EM(1)	4	-	-	■	■	■	■	■	-	-	■	■	ms4-em1
	6	-	-	■	■	-	■	■	-	-	■	■	ms6-em1
	9	-	-	■	■	-	■	-	-	-	■	■	ms9-em
	12	-	-	■	■	-	■	-	-	-	■	■	ms12-em
On-off valves, electrically actuated MS-EE	4	-	-	■	■	■	■	■	-	-	■	■	ms4-ee
	6	-	-	■	■	-	■	■	-	-	■	■	ms6-ee
	9	-	-	■	■	-	■	-	-	-	■	■	ms9-ee
	12	-	-	■	■	-	■	-	-	-	■	■	ms12-ee
Soft-start valves, pneumatically actuated MS-DL	4	-	-	■	■	■	■	■	-	-	-	■	ms4-dl
	6	-	-	■	■	-	■	■	-	-	-	■	ms6-dl
	9	-	-	-	-	-	-	-	-	-	-	-	-
	12	-	-	■	■	-	■	-	-	-	-	■	ms12-dl
Soft-start valves, electrically actuated MS-DE	4	-	-	■	■	■	■	■	-	-	-	■	ms4-de
	6	-	-	■	■	-	■	■	-	-	-	■	ms6-de
	9	-	-	-	-	-	-	-	-	-	-	-	-
	12	-	-	■	■	-	■	-	-	-	-	■	ms12-de

Pressure regulators MS-LR/LRB/LRP/LRPB/LRE, MS series



Product range overview – MS series service units

Type	Size	Pneumatic connection in housing	Connecting plate	Performance Level		Supply voltage				
				Category 1, 1-channel	Category 4, 2-channel with self-monitoring	24 V DC, connection pattern to EN 175301	24 V DC, connection M12 to IEC 61076-2-101/ to EN 60947-5-2	110 V AC, connection pattern to EN 175301	230 V AC, connection pattern to EN 175301	
Code			AG...	C	E	V24	V24P	V110	V230	
Individual devices										
Soft start and exhaust valves MS-SV-C		4	–							
		6	G $\frac{1}{2}$	G $\frac{1}{4}$, G $\frac{3}{8}$, G $\frac{1}{2}$, G $\frac{3}{4}$	■	–	■	■	■	■
		9	G $\frac{3}{4}$, G1	G $\frac{1}{2}$, G $\frac{3}{4}$, G1, G1 $\frac{1}{4}$, G1 $\frac{1}{2}$	■	–	■	■	■	■
		12	–							
Soft start and exhaust valves MS-SV-E		4	–							
		6	G $\frac{1}{2}$	G $\frac{1}{4}$, G $\frac{3}{8}$, G $\frac{1}{2}$, G $\frac{3}{4}$	–	■	■	–	–	–
		9	–							
		12	–							
Membrane air dryers MS-LDM1		4	G $\frac{1}{8}$, G $\frac{1}{4}$	G $\frac{1}{8}$, G $\frac{1}{4}$, G $\frac{3}{8}$	–	–	–	–	–	–
		6	G $\frac{1}{4}$, G $\frac{3}{8}$, G $\frac{1}{2}$	G $\frac{1}{4}$, G $\frac{3}{8}$, G $\frac{1}{2}$, G $\frac{3}{4}$	–	–	–	–	–	–
		9	–							
		12	–							
Branching modules MS-FRM		4	G $\frac{1}{8}$, G $\frac{1}{4}$	G $\frac{1}{8}$, G $\frac{1}{4}$, G $\frac{3}{8}$	–	–	–	–	–	–
		6	G $\frac{1}{4}$, G $\frac{3}{8}$, G $\frac{1}{2}$	G $\frac{1}{4}$, G $\frac{3}{8}$, G $\frac{1}{2}$, G $\frac{3}{4}$	–	–	–	–	–	–
		9	G $\frac{3}{4}$, G1	G $\frac{1}{2}$, G $\frac{3}{4}$, G1, G1 $\frac{1}{4}$, G1 $\frac{1}{2}$	–	–	–	–	–	–
		12	–	G1, G1 $\frac{1}{4}$, G1 $\frac{1}{2}$, G2	–	–	–	–	–	–
Distributor blocks MS-FRM-FRZ		4	G $\frac{1}{4}$	–	–	–	–	–	–	
		6	G $\frac{1}{2}$	–	–	–	–	–	–	
		9	–							
		12	–							
Flow sensors SFAM		4	–							
		6	G $\frac{1}{2}$	G $\frac{1}{2}$	–	–	–	–	–	–
		9	–	G1, G1 $\frac{1}{2}$	–	–	–	–	–	–
		12	–							

Pressure regulators MS-LR/LRB/LRP/LRPB/LRE, MS series

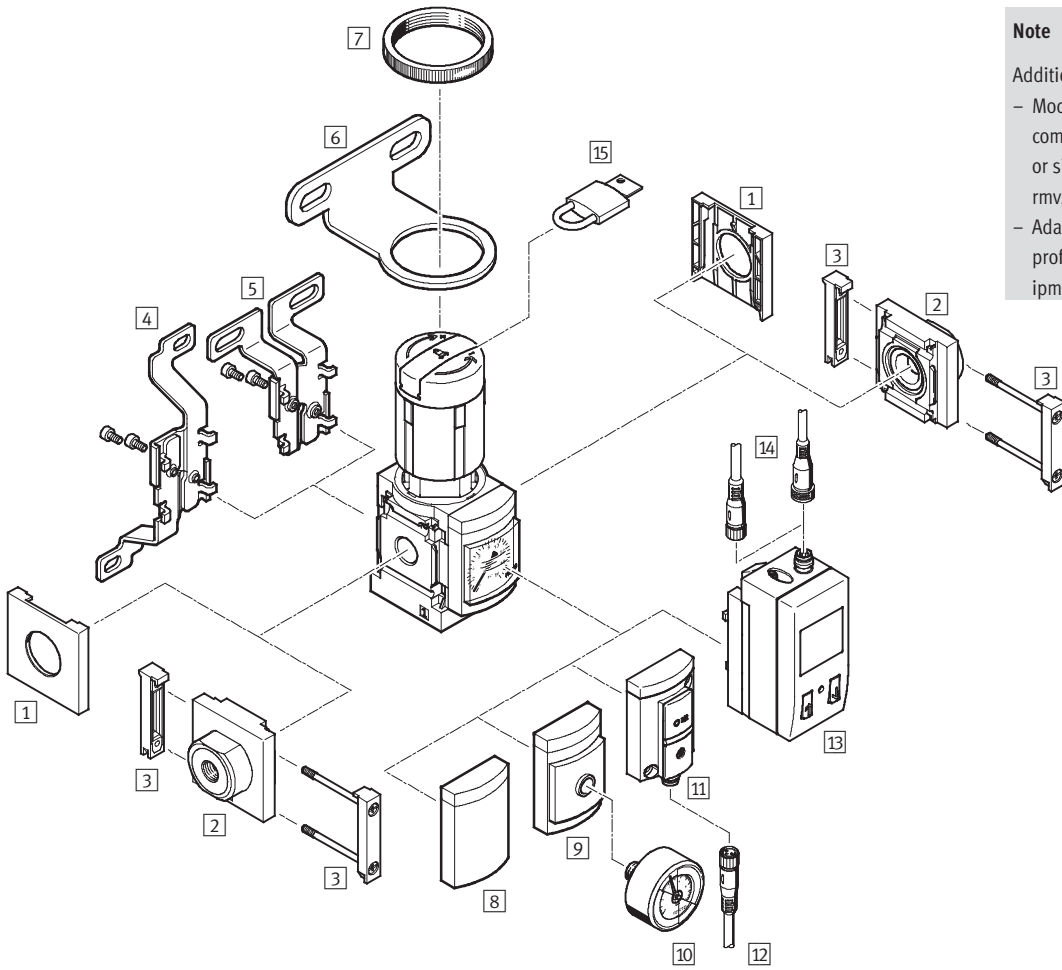
Product range overview – MS series service units

Type	Size	Bowl guard		Pressure indicator				Switch output			Options		→ Page/ Internet
		Plastic bowl with plastic bowl guard	Metal bowl	Cover plate (without pressure gauge)	Integrated MS pressure gauge	Adapter plate for EN pressure gauge G1/8	Adapter plate for EN pressure gauge G1/4	Pressure sensor	2x PNP or NPN, 1 analogue output 4 ... 20 mA	2x PNP or NPN, 1 analogue output 0 ... 10 V	Silencer	Flow direction from right to left	
Code		R	U	VS	AG	A8	A4	AD...	2SA	2SV	S	Z/R	
Individual devices													
Soft start and exhaust valves MS-SV-C	4	-											-
	6	-	-	■	■	-	■	■	-	-	■	■	ms6-sv
	9	-	-	■	■	-	■	■	-	-	■	■	ms9-sv
	12	-											-
Soft start and exhaust valves MS-SV-E	4	-											-
	6	-	-	■	■	-	■	■	-	-	■	■	ms6-sv
	9	-											-
	12	-											-
Membrane air dryers MS-LDM1	4	-	■	-	-	-	-	-	-	-	-	■	ms4-ldm1
	6	-	■	-	-	-	-	-	-	-	-	■	ms6-ldm1
	9	-											-
	12	-											-
Branching modules MS-FRM	4	-	-	■	■	■	■	■	-	-	-	■	ms4-frm
	6	-	-	■	■	-	■	■	-	-	-	■	ms6-frm
	9	-	-	■	■	-	■	■	-	-	-	■	ms9-frm
	12	-	-	■	-	-	-	-	-	-	-	-	ms12-frm
Distributor blocks MS-FRM-FRZ	4	-	-	-	-	-	-	-	-	-	-	■	ms4-frm
	6	-	-	-	-	-	-	-	-	-	-	■	ms6-frm
	9	-											-
	12	-											-
Flow sensors SFAM	4	-											-
	6	-	-	-	-	-	-	-	■	■	-	■	sfam-62
	9	-	-	-	-	-	-	-	■	■	-	■	sfam-90
	12	-											-

Pressure regulators MS4/MS6-LR, MS series

Peripherals overview

Pressure regulator MS4/MS6-LR



Note

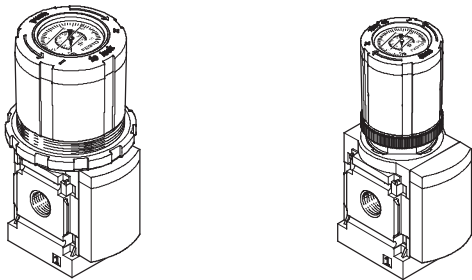
Additional accessories:

- Module connector for combination with size MS4/MS6 or size MS9 → Internet: amv, rmv, armv
- Adapter plate for mounting on profiles → Internet: ipm-80, ipm-40-80, ipm-80-80

Pressure regulator with rotary knob pressure gauge

MS4-LR-...-DM2

MS4-LR-...-DM1/MS6-LR-...-DM2



Pressure regulators MS4/MS6-LR, MS series

Peripherals overview

Mounting attachments and accessories						
		Individual device		Combination		→ Page/Internet
		Without connecting plate	With connecting plate	Without connecting plate	With connecting plate	
1	Cover cap MS4/6-END	■	-	■	-	ms4-end, ms6-end
2	Connecting plate MS4/6-AG...	-	■	-	■	ms4-ag, ms6-ag
3	Module connector MS4/6-MV	-	■	■	■	ms4-mv, ms6-mv
4	Mounting bracket MS4/6-WB	■	■	-	-	ms4-wb, ms6-wb
5	Mounting bracket MS4-WBM	■	■	-	-	ms4-wbm
6	Mounting bracket MS4/6-WR	■	■	-	-	ms4-wr, ms6-wr
7	Knurled nut (included in scope of delivery) MS-LR	■	■	-	-	-
8	Cover plate VS	■	■	■	■	20
9	Adapter plate for EN pressure gauge 1/8/1/4 A8/A4	■	■	■	■	20
10	Pressure gauge MA	■	■	■	■	98
11	Pressure sensor without display AD7 ... AD10	■	■	■	■	20
12	Connecting cable NEBU-M8...-LE3	■	■	■	■	98
13	Pressure sensor with display AD1 ... AD4	■	■	■	■	20
14	Connecting cable NEBU-M8...-LE3/NEBU-M12...-LE4	■	■	■	■	98
15	Padlock LRVS-D	■	■	■	■	98
-	Mounting bracket MS4/6-WP/WPB/WPE/WPM	-	■	■	■	ms4-wp, ms6-wp

Pressure regulators MS4/MS6-LR, MS series

Type codes

MS 6 - LR - 1/2 - D5 - AS

Series	
MS	Standard service unit

Size	
4	Grid dimension 40 mm
6	Grid dimension 62 mm

Service function	
LR	Pressure regulator

Connection size	
MS4	
1/8	Thread G1/8
1/4	Thread G1/4
MS6	
1/4	Thread G1/4
3/8	Thread G3/8
1/2	Thread G1/2

Pressure regulation range	
D5	0.3 ... 4 bar
D6	0.3 ... 7 bar
D7	0.5 ... 12 bar

Security	
AS	Standard rotary knob with detent, lockable via accessories

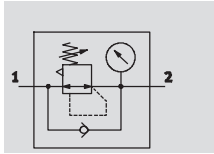
Additional variants can be ordered using the modular system → 20

- Connecting plates
- Pressure regulation range
- Pressure gauge alternatives
- Alternative pressure gauge scale
- Secondary venting
- Rotary knob alternative
- Alternative mounting position
- Security
- Type of mounting
- Alternative flow direction

Pressure regulators MS4/MS6-LR, MS series

Technical data

With pressure gauge



Flow rate
1,000 ... 7,500 l/min

Temperature range
-10 ... +60 °C

Pressure
0.8 ... 20 bar

www.festo.com/en/Spare_parts_service

Wearing parts kits
→ 19



The pressure regulator maintains a constant working pressure (secondary side), regardless of the pressure variations in the system (primary side) and the air consumption.

- Good regulation characteristics with low hysteresis and primary pressure compensation
- High flow rate with minimal pressure drop
- Available with and without secondary venting
- Regulator lock for protecting the values against adjustment
- Four pressure regulation ranges: 0.3 ... 4 bar, 0.3 ... 7 bar, 0.5 ... 12 bar and 0.5 ... 16 bar
- Two pressure gauge connections for different fitting options
- Return flow option for exhausting from output 2 to output 1 already integrated
- Optional pressure sensor
- Optional rotary knob pressure gauge

General technical data		MS4		MS6	
Size					
Pneumatic connection 1, 2		G ¹ / ₈	G ¹ / ₄	G ¹ / ₄	G ³ / ₈ G ¹ / ₂
Constructional design		Directly-actuated diaphragm regulator			
Regulating function		Output pressure constant, with primary pressure compensation, with return flow action, with/without secondary venting			
Type of mounting		Via accessories In-line installation Front panel mounting			
Mounting position		Any			
Regulator lock		Rotary knob with detent Rotary knob with detent, lockable via accessories Rotary knob with integrated lock			
Pressure regulation range/operation	D5 [bar]	0.3 ... 4, manually operated ¹⁾			
	D6 [bar]	0.3 ... 7, manually operated ¹⁾			
	D7 [bar]	0.5 ... 12, manually operated (0.5 ... 10 with pressure sensor variant AD...) ¹⁾			
	D8 [bar]	-		0.5 ... 16, manually operated	
Max. hysteresis	[bar]	0.25 (0.4 with rotary knob pressure gauge variant DM1/DM2)		0.25 (0.4 with rotary knob pressure gauge variant DM2)	
Pressure display		Via pressure sensor for displaying output pressure via LCD display and electrical output Via pressure sensor for displaying output pressure via operational status indicator and electrical output Via pressure gauge for displaying output pressure Via pressure gauge with red/green scale for displaying output pressure Via pressure gauge in rotary knob for displaying output pressure			
		G ¹ / ₈ prepared		-	
		G ¹ / ₄ prepared			

1) MS4: For pressure regulators with rotary knob pressure gauge DM..., the pressure regulation range begins at 0.8 bar.

Note: This product conforms to ISO 1179-1 and ISO 228-1

Pressure regulators MS4/MS6-LR, MS series

FESTO

Technical data

Standard nominal flow rate $q_{nN}^{1)}$ [l/min]						
Size		MS4		MS6		
Pneumatic connection		G $\frac{1}{8}$	G $\frac{1}{4}$	G $\frac{1}{4}$	G $\frac{3}{8}$	G $\frac{1}{2}$
Pressure regulation range	D5	1,200 ²⁾	2,100 ²⁾	2,400 ²⁾	5,500 ²⁾	7,500 ²⁾
	D6	1,150	1,800	3,000	5,800	6,500
	D7	1,000	1,700 ³⁾	2,700	4,500	5,500
	D8	–	–	2,200	4,000	4,500

- 1) Measured at $p_1 = 10$ bar and $p_2 = 6$ bar, $\Delta p = 1$ bar
 2) Measured at $p_1 = 10$ bar and $p_2 = 3$ bar, $\Delta p = 1$ bar
 3) In the case of the DM1/DM2 pressure regulator/gauge with rotary knob, q_{nN} is equal to 800 litres per minute and $q_{n \max}$ amounts to 2,200 litres per minute.

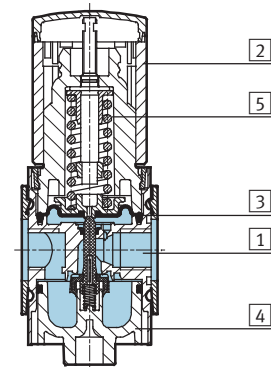
Operating and environmental conditions					
Variant		Standard		Pressure sensor AD...	
Size		MS4	MS6	MS4	MS6
Operating pressure	[bar]	0.8 ... 14	0.8 ... 20	0.8 ... 14	0.8 ... 20
Operating medium		Compressed air in accordance with ISO 8573-1:2010 [7:4:4] Inert gases			
Note on operating/pilot medium		Operation with lubricated medium possible (in which case lubricated operation will always be required)			
Ambient temperature	[°C]	-10 ... +60	-10 ... +60	0 ... +50	0 ... +50
Temperature of medium	[°C]	-10 ... +60	-10 ... +60	0 ... +50	0 ... +50
Storage temperature	[°C]	-10 ... +60	-10 ... +60	-10 ... +60	-10 ... +60
Corrosion resistance class	CRC ¹⁾	2			

- 1) Corrosion resistance class 2 as per Festo standard 940 070
 Components subject to moderate corrosion stress. Externally visible parts with primarily decorative surface requirements which are in direct contact with a normal industrial environment or media such as coolants or lubricating agents.

Weight [g]		
Size	MS4	MS6
Pressure regulator	225	730
Pressure regulator with rotary knob with integrated lock E11	350	1,000

Materials

Sectional view



Pressure regulator		
1	Housing	Die-cast aluminium
2	Rotary knob	PA/POM
	Rotary knob with integrated lock E11	Aluminium
3	Diaphragm	NBR
4	Cap, bottom	PET
5	Springs	Steel
–	Seals	NBR
Note on materials		RoHS-compliant Free of copper and PTFE only with cover plate VS

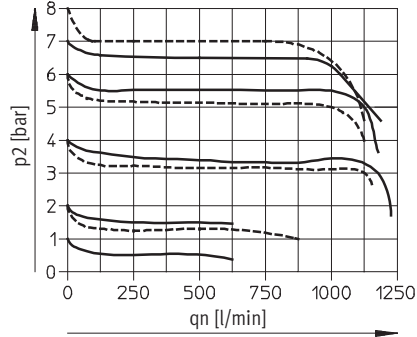
Pressure regulators MS4/MS6-LR, MS series

Technical data

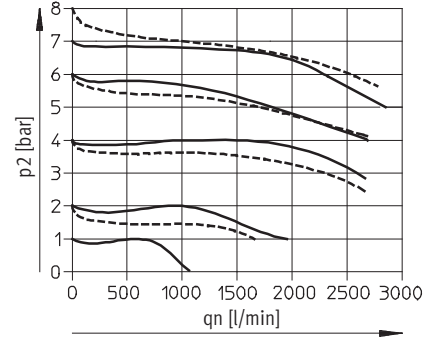
Standard flow rate q_n as a function of output pressure p_2

MS4-LR-1/8

Input pressure $p_1 = 10$ bar



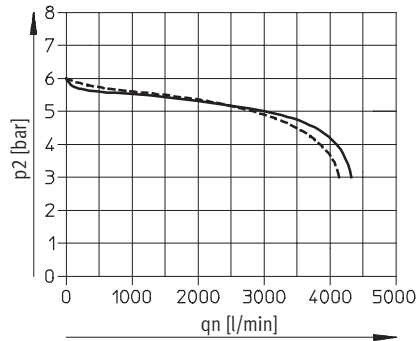
MS4-LR-1/4



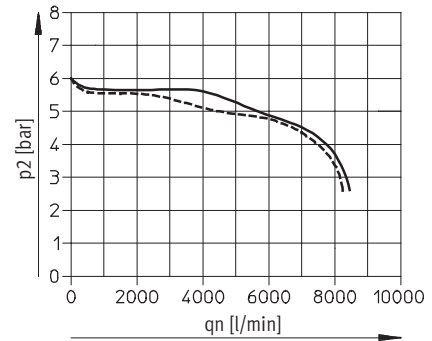
1) There is a higher initial pressure drop for the characteristic curve of the DM1/DM2 variant.

MS6-LR-1/4

Input pressure $p_1 = 10$ bar

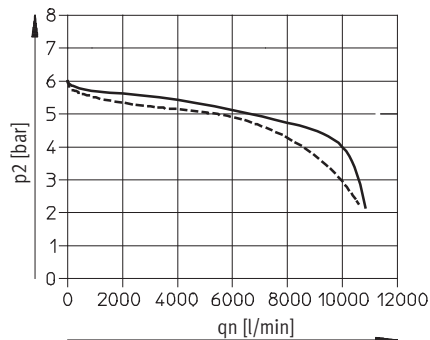


MS6-LR-3/8



MS6-LR-1/2

Input pressure $p_1 = 10$ bar



Pressure regulators MS4/MS6-LR, MS series

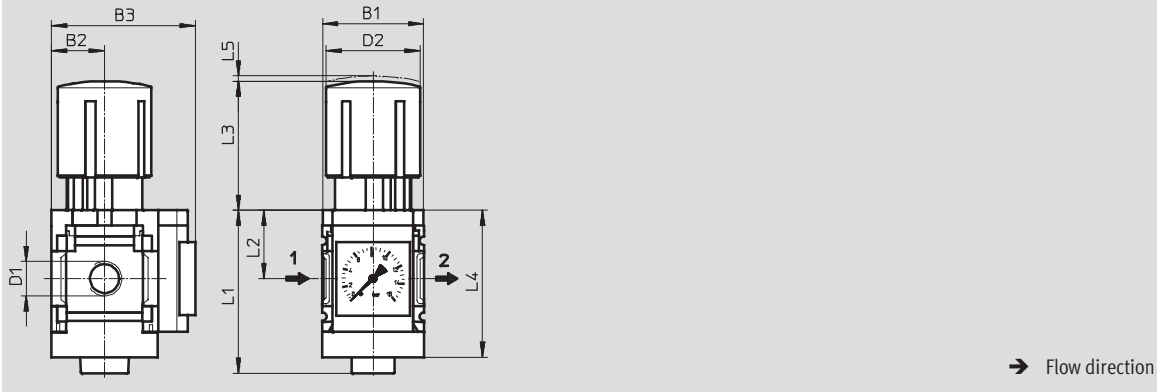


Technical data

Dimensions – Standard

Download CAD Data → www.festo.com/us/cad

Integrated pressure gauge, display unit [bar], standard rotary knob with detent



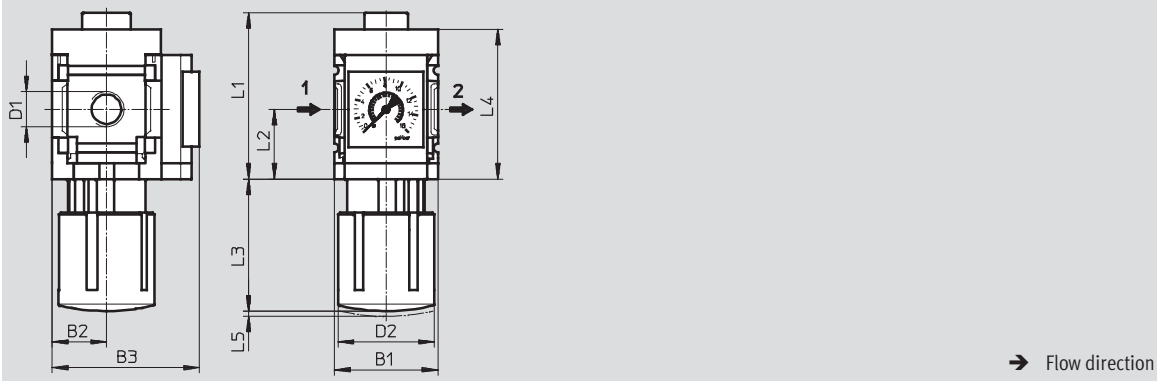
Type	B1	B2	B3		D1	D2	L1	L2	L3	L4	L5
			Standard scale	Red-green scale							
MS4-LR-1/8	40	21	57	58.5	G1/8	37.2	64.4	27	51.1	58	2
MS4-LR-1/4					G1/4						
MS6-LR-1/4	62	31	77	78.5	G1/4	51	93	39	86	84	5
MS6-LR-3/8					G3/8						
MS6-LR-1/2					G1/2						

Note: This product conforms to ISO 1179-1 and ISO 228-1

Dimensions – Alternative mounting position

Download CAD Data → www.festo.com/us/cad

Rotary knob underneath KD



Type	B1	B2	B3	D1	D2	L1	L2	L3	L4	L5
MS4-LR-1/8-...-KD	40	21	57	G1/8	37.2	64.4	27	51.1	58	2
MS4-LR-1/4-...-KD				G1/4						
MS6-LR-1/4-...-KD	62	31	77	G1/4	51	93	39	86	84	5
MS6-LR-3/8-...-KD				G3/8						
MS6-LR-1/2-...-KD				G1/2						

Note: This product conforms to ISO 1179-1 and ISO 228-1

Pressure regulators MS4/MS6-LR, MS series

Technical data

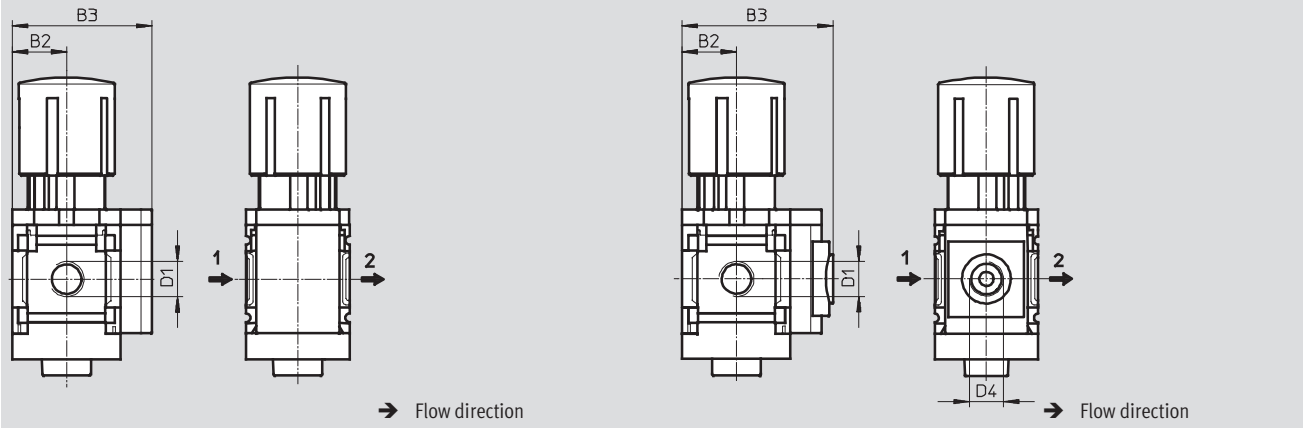
FESTO

Dimensions – Pressure gauge alternatives

Download CAD Data → www.festo.com/us/cad

Cover plate VS

Adapter plate A8/A4 for EN pressure gauge 1/8/1/4, without pressure gauge



Type	B2	B3	D1	D4
MS4-LR-1/8-...-VS	21	54	G1/8	-
MS4-LR-1/4-...-VS			G1/4	
MS4-LR-1/8-...-A8	21	58.5	G1/8	G1/8
MS4-LR-1/4-...-A8			G1/4	
MS4-LR-1/8-...-A4	21	58.5	G1/8	G1/4
MS4-LR-1/4-...-A4			G1/4	
MS6-LR-1/4-...-VS	31	76	G1/4	-
MS6-LR-3/8-...-VS			G3/8	
MS6-LR-1/2-...-VS			G1/2	
MS6-LR-1/4-...-A4	31	78.5	G1/4	G1/4
MS6-LR-3/8-...-A4			G3/8	
MS6-LR-1/2-...-A4			G1/2	

Note: This product conforms to ISO 1179-1 and ISO 228-1

Pressure regulators MS4/MS6-LR, MS series



Technical data

Dimensions – Pressure gauge alternatives Download CAD Data → www.festo.com/us/cad

Pressure sensor with LCD display AD1 ... AD4 Technical data → Internet: [sde1](#)

Variant AD1:
SDE1-D10-G2-MS-L-P1-M8 with 3-pin plug M8x1, 1 switching output PNP

Variant AD2:
SDE1-D10-G2-MS-L-N1-M8 with 3-pin plug M8x1, 1 switching output NPN

Variant AD3:
SDE1-D10-G2-MS-L-PI-M12 with 4-pin plug M12x1, 1 switching output PNP and 4 ... 20 mA analogue

Variant AD4:
SDE1-D10-G2-MS-L-NI-M12 with 4-pin plug M12x1, 1 switching output NPN and 4 ... 20 mA analogue

Pressure sensor without LCD display (operational status indicator only) AD7 ... AD10 Technical data → Internet: [sde5](#)

Variant AD7:
SDE5-D10-O-...-P-M8 with 3-pin plug M8x1, threshold value comparator, 1 switching output PNP, N/O contact

Variant AD8:
SDE5-D10-C-...-P-M8 with 3-pin plug M8x1, threshold value comparator, 1 switching output PNP, N/C contact

Variant AD9:
SDE5-D10-O3-...-P-M8 with 3-pin plug M8x1, window comparator, 1 switching output PNP, N/O contact

Variant AD10:
SDE5-D10-C3-...-P-M8 with 3-pin plug M8x1, window comparator, 1 switching output PNP, N/C contact

Type	B2	B3	D1	D6	L5	L6
MS4-LR-1/8-...-AD1/AD2	21	82.6	G1/8	M8x1	35.1	46.7
MS4-LR-1/4-...-AD1/AD2			G1/4			
MS4-LR-1/8-...-AD3/AD4	21	82.6	G1/8	M12x1	35.1	55.8
MS4-LR-1/4-...-AD3/AD4			G1/4			
MS4-LR-1/8-...-AD7/AD8/AD9/AD10	21	59.1	G1/8	M8x1	-	-
MS4-LR-1/4-...-AD7/AD8/AD9/AD10			G1/4			
MS6-LR-1/4-...-AD1/AD2	31	103	G1/4	M8x1	35.1	46.7
MS6-LR-3/8-...-AD1/AD2			G3/8			
MS6-LR-1/2-...-AD1/AD2			G1/2			
MS6-LR-1/4-...-AD3/AD4	31	103	G1/4	M12x1	35.1	55.8
MS6-LR-3/8-...-AD3/AD4			G3/8			
MS6-LR-1/2-...-AD3/AD4			G1/2			
MS6-LR-1/4-...-AD7/AD8/AD9/AD10	31	79	G1/4	M8x1	-	-
MS6-LR-3/8-...-AD7/AD8/AD9/AD10			G3/8			
MS6-LR-1/2-...-AD7/AD8/AD9/AD10			G1/2			

Note: This product conforms to ISO 1179-1 and ISO 228-1

Pressure regulators MS4/MS6-LR, MS series

Technical data

FESTO

Dimensions – Rotary knob

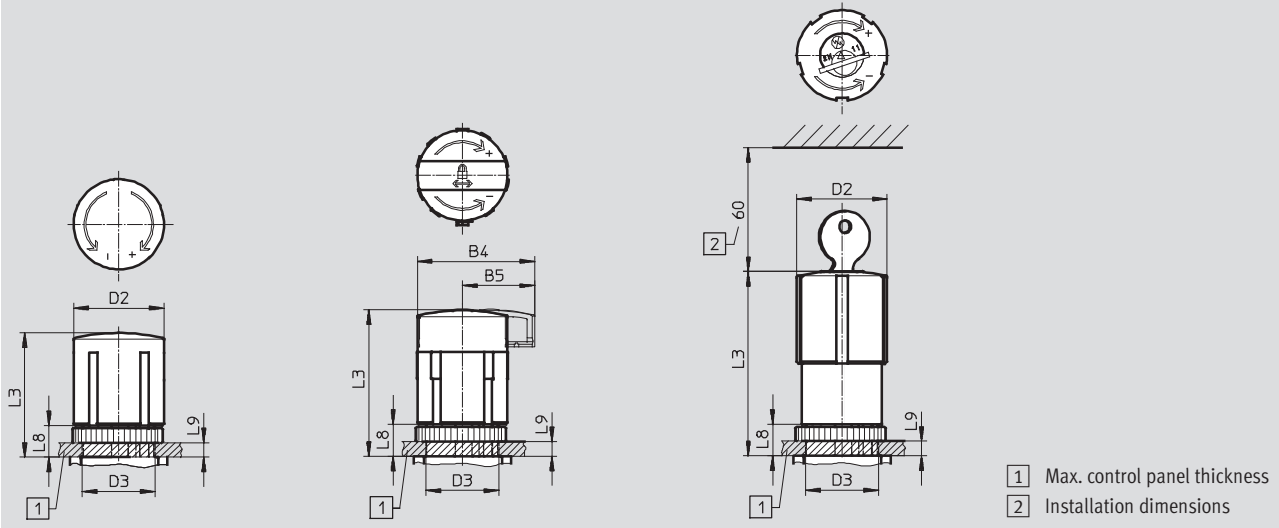
Download CAD Data → www.festo.com/us/cad

For installation into control panel

Standard rotary knob with detent

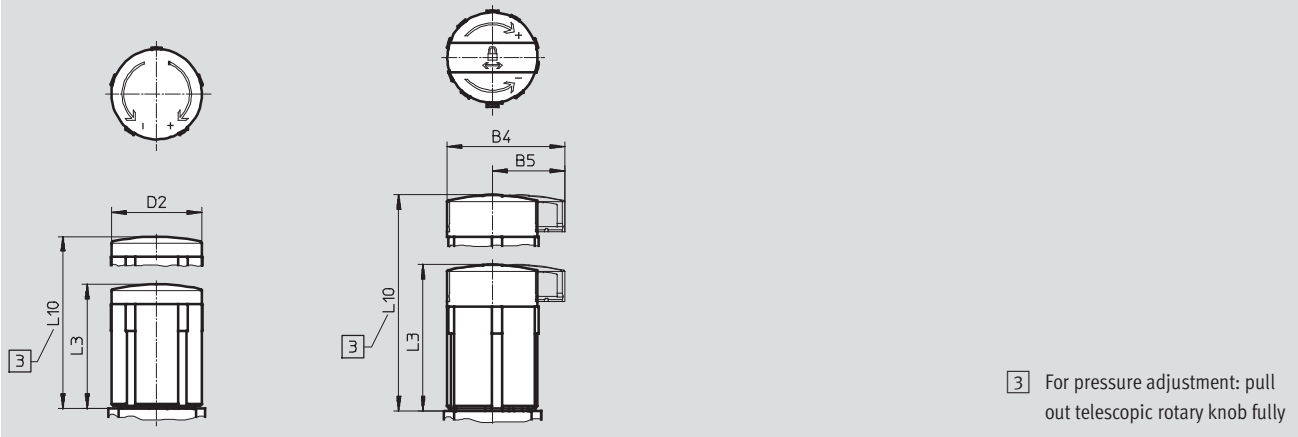
Standard rotary knob with detent,
lockable via accessories AS

Rotary knob with integrated lock
E11



Long rotary knob with detent LD

Long rotary knob with detent,
lockable via accessories LD-AS



Type	B4	B5	D2	D3 +1	L3	L8	L9	L10
MS4-LR-...	-	-	37.2	30	51.1	13	6	-
MS4-LR-...-AS	48.3	29.7			60.2			
MS4-LR-...-E11	-	-			76			
MS4-LR-...-LD	-	-	37.2	-	51.1	-	-	76.8
MS4-LR-...-LD-AS	48.3	29.7			60.2			85.7
MS6-LR-...	-	-	51	44	86	22	14	-
MS6-LR-...-AS	64.4	39			95.5			
MS6-LR-...-E11	-	-			112.1			
MS6-LR-...-LD	-	-	51	-	86	-	-	139
MS6-LR-...-LD-AS	64.4	39			95.5			148.5

Pressure regulators MS4/MS6-LR, MS series

Technical data

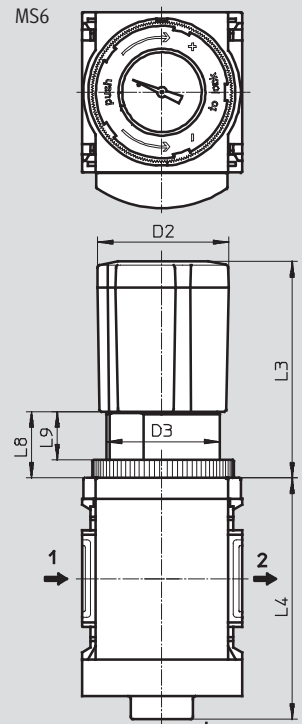
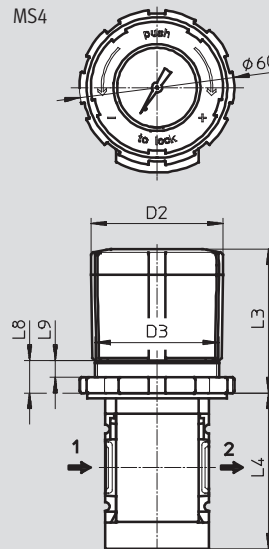
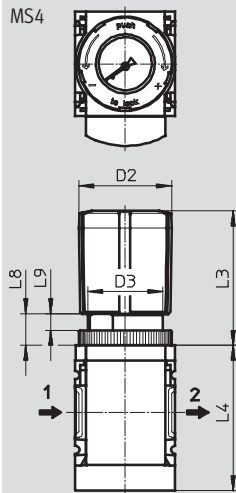


Dimensions – Rotary knob with pressure gauge

Download CAD Data → www.festo.com/us/cad

Small DM1

Large DM2



Note

Due to the protruding rotary knob, only a distributor block MS4-FRM-FRZ or a branching module MS4-FRM can be connected as a directly adjacent service unit component.

→ Flow direction

Type	D2	D3	L3	L4	L8	L9
MS4-LR-...-DM1	37.2	M30x1.5	54	58.5	13	6.7
MS4-LR-...-DM2	51.1	M48x1.5	55.7	60.5	13	6.6
MS6-LR-...-DM2	51	M44x1	84	93	26	19

Pressure regulators MS4/MS6-LR, MS series

Technical data

Ordering data							
Integrated pressure gauge, display unit [bar], standard rotary knob with detent, lockable via accessories							
Size	Connection	Pressure regulation range 0.3 ... 4 bar		Pressure regulation range 0.3 ... 7 bar		Pressure regulation range 0.5 ... 12 bar	
		Part No.	Type	Part No.	Type	Part No.	Type
MS4	G $\frac{1}{8}$	529421	MS4-LR- $\frac{1}{8}$ -D5-AS	529423	MS4-LR- $\frac{1}{8}$ -D6-AS	529425	MS4-LR- $\frac{1}{8}$ -D7-AS
	G $\frac{1}{4}$	529415	MS4-LR- $\frac{1}{4}$ -D5-AS	529417	MS4-LR- $\frac{1}{4}$ -D6-AS	529419	MS4-LR- $\frac{1}{4}$ -D7-AS
MS6	G $\frac{1}{4}$	529995	MS6-LR- $\frac{1}{4}$ -D5-AS	529997	MS6-LR- $\frac{1}{4}$ -D6-AS	529999	MS6-LR- $\frac{1}{4}$ -D7-AS
	G $\frac{3}{8}$	530001	MS6-LR- $\frac{3}{8}$ -D5-AS	530003	MS6-LR- $\frac{3}{8}$ -D6-AS	530005	MS6-LR- $\frac{3}{8}$ -D7-AS
	G $\frac{1}{2}$	529989	MS6-LR- $\frac{1}{2}$ -D5-AS	529991	MS6-LR- $\frac{1}{2}$ -D6-AS	529993	MS6-LR- $\frac{1}{2}$ -D7-AS

Ordering data – Wearing parts kits		
Size	Part No.	Type
MS4	673649	MS4-LR/LRB
MS6	673650	MS6-LR/LRB

Pressure regulators MS4/MS6-LR, MS series

Ordering data – Modular products



M Mandatory data						O Options →
Module No.	Series	Size	Function	Connection size	Pressure range/operation	Pressure gauge alternatives
527690 527663	MS	4 6	LR	1/8, 1/4, 3/8, 1/2, AGA, AGB, AGC, AGD, AGE	D5 D6 D7 D8	VS, A8, A4, RG, AD1, AD2, AD3, AD4, AD7, AD8, AD9, AD10
Order example						
527690	MS	4	- LR	- AGB	- D6	AD3

Ordering table							
Grid dimension	[mm]	40	62	Conditions	Code	Enter code	
M	Module No.	527690	527663				
	Series	Standard			MS		MS
	Size	4	6		...		
	Function	Pressure regulator			-LR		-LR
	Connection size	Thread G1/8	-		-1/8		
		Thread G1/4	Thread G1/4		-1/4		
		-	Thread G3/8		-3/8		
		-	Thread G1/2		-1/2		
		Connecting plate G1/8	-		-AGA		
		Connecting plate G1/4	Connecting plate G1/4		-AGB		
		Connecting plate G3/8	Connecting plate G3/8		-AGC		
		-	Connecting plate G1/2		-AGD		
	-	Connecting plate G3/4		-AGE			
	Pressure range/operation	0.3 ... 4 bar, manually operated			-D5		
		0.3 ... 7 bar, manually operated			-D6		
		0.5 ... 12 bar, manually operated			-D7		
		-	0.5 ... 16 bar, manually operated		3	-D8	
O	Pressure gauge alternatives	Cover plate			-VS		
		Adapter plate for EN pressure gauge 1/8, without pressure gauge	-		-A8		
		Adapter plate for EN pressure gauge 1/4, without pressure gauge			-A4		
		Integrated pressure gauge, red-green scale			1 2 3	-RG	
		Pressure sensor with display, plug M8, 1 switching output PNP, 3-pin			1 4	-AD1	
		Pressure sensor with display, plug M8, 1 switching output NPN, 3-pin			1 4	-AD2	
		Pressure sensor with display, plug M12, 1 switching output PNP, 4-pin, analogue output 4 ... 20 mA			1 4	-AD3	
		Pressure sensor with display, plug M12, 1 switching output NPN, 4-pin, analogue output 4 ... 20 mA			1 4	-AD4	
		Pressure sensor without display, plug M8, threshold value comparator, PNP, N/O contact			1 4	-AD7	
		Pressure sensor without display, plug M8, threshold value comparator, PNP, N/C contact			1 4	-AD8	
		Pressure sensor without display, plug M8, window comparator, PNP, N/O contact			1 4	-AD9	
		Pressure sensor without display, plug M8, window comparator, PNP, N/C contact			1 4	-AD10	

1 RG, AD1 ... AD4, AD7 ... AD10, OS, KD, AS, WR, WB
MS4: Not with rotary knob alternative DM2

2 RG, OS, KD, AS
Not with rotary knob alternative DM1

3 D8, RG, OS, KD, AS
MS6: Not with rotary knob alternative DM2

4 AD1 ... AD4, AD7 ... AD10
Measuring range max. 10 bar
Not with pressure regulation range D8

Transfer order code

	MS		- LR		-		-		-	
--	----	--	------	--	---	--	---	--	---	--

Pressure regulators MS4/MS6-LR, MS series

Ordering data – Modular products

Options						
Alternative pressure gauge scale	Secondary venting	Rotary knob alternative	Alternative mounting position	Security	Type of mounting	Alternative flow direction
PSI MPA	OS	LD DM1 DM2	KD	AS E11	WR WP, WPM WB, WBM	Z
- PSI	- OS	- LD	- KD	- AS	- WB	- Z

Ordering table						
Grid dimension	[mm]	40	62	Conditions	Code	Enter code
Alternative pressure gauge scale	psi			5	-PSI	
	MPa			5 6	-MPA	
Secondary venting	Without secondary venting			1 2 3	-OS	
Rotary knob alternative	Long rotary knob			7	-LD	
	Rotary knob pressure gauge, small	-		7 8	-DM1	
	Rotary knob pressure gauge, large			7 8	-DM2	
Alternative mounting position	Rotary knob underneath			1 2 3 9	-KD	
Security	Lockable via accessories			1 2 3	-AS	
	With integrated lock				-E11	
Type of mounting	Mounting bracket with knurled nut for regulator head			1 10	-WR	
	Mounting bracket			11	-WP	
	Mounting bracket			11	-WPM	
	Mounting bracket			1	-WB	
	Mounting bracket	-			-WBM	
Alternative flow direction	Flow direction from right to left				-Z	

1 RG, AD1 ... AD4, AD7 ... AD10, OS, KD, AS, WR, WB
MS4: Not with rotary knob alternative DM2

2 RG, OS, KD, AS
Not with rotary knob alternative DM1

3 D8, RG, OS, KD, AS
MS6: Not with rotary knob alternative DM2

5 PSI, MPA Not with pressure gauge alternatives VS, A8, A4, RG
AD1, AD2, AD3, AD4, AD7, AD8, AD9, AD10

6 MPA Not with rotary knob alternative DM1, DM2

7 LD, DM1, DM2
Not with integrated lock E11

8 DM1, DM2 Can only be combined with one pressure gauge alternative VS, A8, A4, AD1, AD2, AD3,
AD4, AD7, AD8, AD9, AD10

9 KD Not with pressure gauge alternative RG
Not with alternative pressure gauge scale MPA

10 WR Not with long rotary knob LD

11 WP, WPM Only with connecting plate AGA, AGB, AGC, AGD, AGE

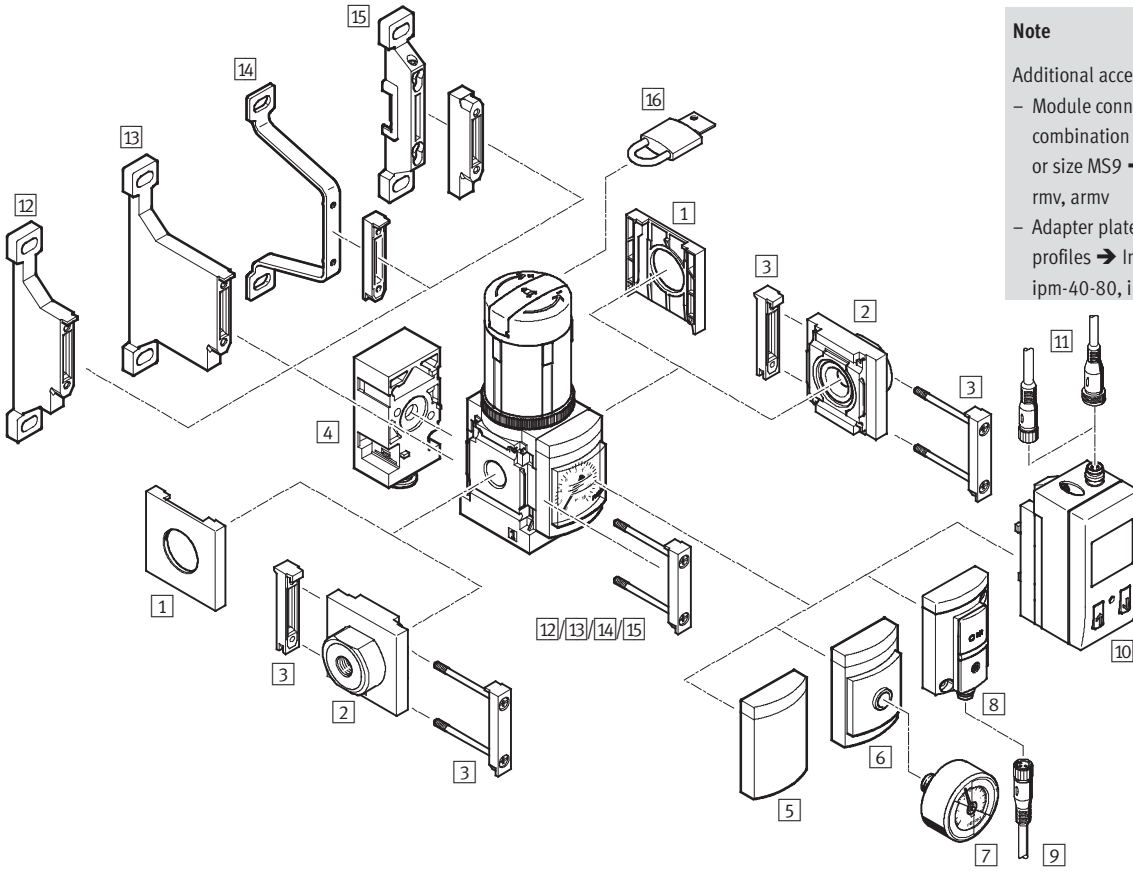
Transfer order code

- [] - [] - [] - [] - [] - [] - []

Pressure regulators MS4/MS6-LRB, MS series

Peripherals overview

Pressure regulator MS4/MS6-LRB with pressure output to the rear



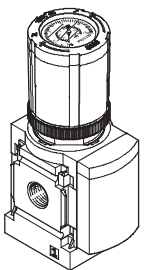
Note

Additional accessories:

- Module connector for combination with size MS4/MS6 or size MS9 → Internet: amv, rmv, armv
- Adapter plate for mounting on profiles → Internet: ipm-80, ipm-40-80, ipm-80-80

Pressure regulator with rotary knob pressure gauge

MS4-LRB-...-DM1/
MS6-LRB-...-DM2



Pressure regulators MS4/MS6-LRB, MS series

Peripherals overview

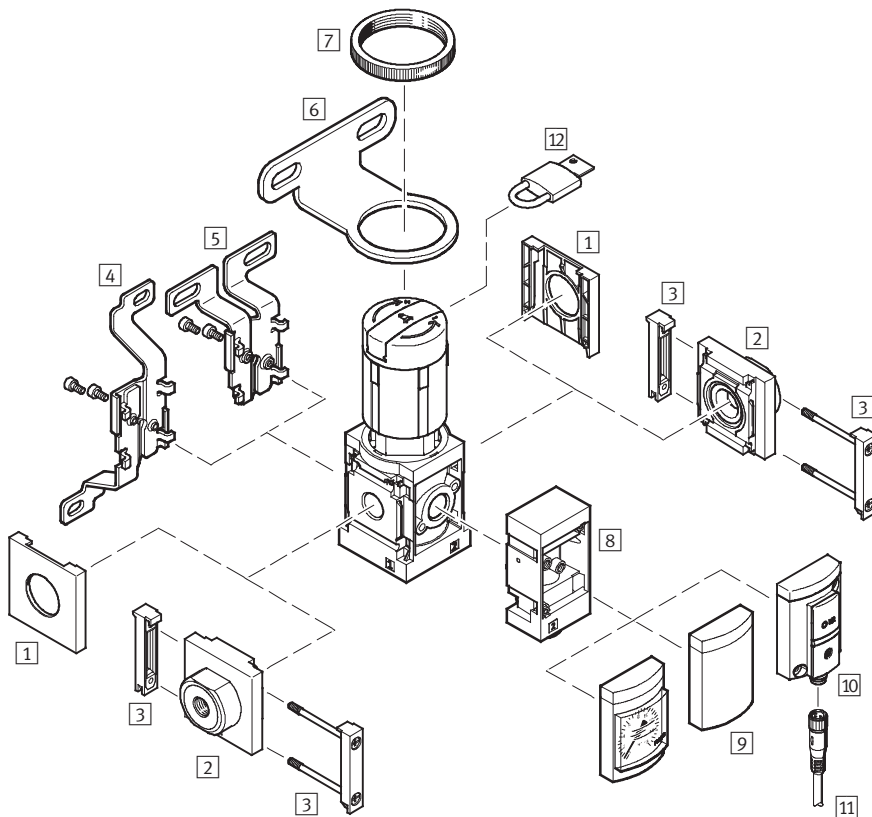
Mounting attachments and accessories						
		Individual device		Combination		→ Page/Internet
		Without connecting plate	With connecting plate	Without connecting plate	With connecting plate	
1	Cover cap MS4/6-END	■	-	■	-	ms4-end, ms6-end
2	Connecting plate MS4/6-AG...	-	■	-	■	ms4-ag, ms6-ag
3	Module connector MS4/6-MV	-	■	■	■	ms4-mv, ms6-mv
4	Angled outlet block B...	■	■	■	■	34
5	Cover plate VS	■	■	■	■	34
6	Adapter plate for EN pressure gauge 1/8/1/4 A8/A4	■	■	■	■	34
7	Pressure gauge MA	■	■	■	■	98
8	Pressure sensor without display AD7 ... AD10	■	■	■	■	34
9	Connecting cable NEBU-M8...-LE3	■	■	■	■	98
10	Pressure sensor with display AD1 ... AD4	■	■	■	■	34
11	Connecting cable NEBU-M8...-LE3/NEBU-M12...-LE4	■	■	■	■	98
12	Mounting bracket MS4/6-WP	-	■	■	■	ms4-wp, ms6-wp
13	Mounting bracket MS4/6-WPB	-	■	■	■	ms4-wp, ms6-wp
14	Mounting bracket MS4/6-WPE	-	■	■	■	ms4-wp, ms6-wp
15	Mounting bracket MS4/6-WPM	-	■	■	■	ms4-wp, ms6-wp
16	Padlock LRVS-D	■	■	■	■	98

Pressure regulators MS4/MS6-LRB, MS series

Peripherals overview

FESTO

Pressure regulator MS4/MS6-LRB with pressure output to the front



Note

Additional accessories:

- Module connector for combination with size MS4/MS6 or size MS9 → Internet: amv, rmv, armv
- Adapter plate for mounting on profiles → Internet: ipm-80, ipm-40-80, ipm-80-80

Mounting attachments and accessories						
		Individual device		Combination		→ Page/Internet
		Without connecting plate	With connecting plate	Without connecting plate	With connecting plate	
1	Cover cap MS4/6-END	■	-	■	-	ms4-end, ms6-end
2	Connecting plate MS4/6-AG...	-	■	-	■	ms4-ag, ms6-ag
3	Module connector MS4/6-MV	-	■	■	■	ms4-mv, ms6-mv
4	Mounting bracket MS4/6-WB	■	■	-	-	ms4-wb, ms6-wb
5	Mounting bracket MS4-WBM	■	■	-	-	ms4-wbm
6	Mounting bracket MS4/6-WR	■	■	-	-	ms4-wr, ms6-wr
7	Knurled nut (included in scope of delivery) MS-LR	■	■	-	-	-
8	Angled outlet block B...	■	■	■	■	34
9	Cover plate VS	■	■	■	■	34
10	Pressure sensor without display AD7 ... AD10	■	■	■	■	34
11	Connecting cable NEBU-M8...-LE3	■	■	■	■	98
12	Padlock LRVS-D	■	■	■	■	98

Pressure regulators MS4/MS6-LRB, MS series

Type codes

		MS	6	-	LRB	-	1/2	-	D7	-		-	AS	-	BD
Series															
MS	Standard service unit														
Size															
4	Grid dimension 40 mm														
6	Grid dimension 62 mm														
Service function															
LRB	Pressure regulator for manifold assembly														
Connection size															
MS4															
1/4	Thread G1/4														
MS6															
1/2	Thread G1/2														
Pressure regulation range															
D5	0.3 ... 4 bar														
D6	0.3 ... 7 bar														
D7	0.5 ... 12 bar														
Pressure gauge alternatives															
	Integrated pressure gauge														
A8	Adapter plate for EN pressure gauge 1/8, without pressure gauge														
A4	Adapter plate for EN pressure gauge 1/4, without pressure gauge														
Security															
AS	Standard rotary knob with detent, lockable via accessories														
Pressure output															
	Without angled outlet block														
BD	Angled outlet block QS-8														

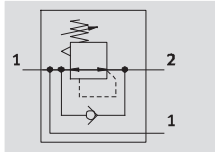
Additional variants can be ordered using the modular system → 34

- Connecting plates
- Pressure regulation range
- Pressure gauge alternatives
- Alternative pressure gauge scale
- Secondary venting
- Rotary knob alternative
- Alternative mounting position
- Security
- Pressure output
- Type of mounting
- Alternative flow direction

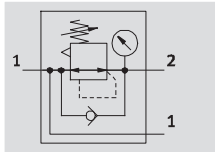
Pressure regulators MS4/MS6-LRB, MS series

Technical data

Without pressure gauge



With pressure gauge

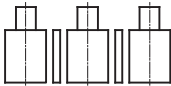


Flow rate
300 ... 7,300 l/min
Temperature range
-10 ... +60 °C
Pressure
0.8 ... 20 bar
www.festo.com/en/
Spare_parts_service

Wearing parts kits
→ 33



Pressure regulator for manifold assembly:



The pressure regulator is suitable for manifold assemblies with through air supply, for configuring a regulator manifold with separate, independent pressure regulation ranges. Pressure output is to the front or rear.

- Good regulation characteristics with low hysteresis and primary pressure compensation
- Manifold assembly with through air supply
- For configuring a regulator manifold with independent pressure regulation ranges
- Regulator lock for protecting the values against adjustment
- Available with and without secondary venting
- Four pressure regulation ranges: 0.3 ... 4 bar, 0.3 ... 7 bar, 0.5 ... 12 bar and 0.5 ... 16 bar
- Return flow option for exhausting from output 2 to output 1 already integrated
- Optional pressure sensor
- Optional rotary knob pressure gauge

General technical data		
Size	MS4	MS6
Pneumatic connection 1	G1/4	G1/2
Pneumatic connection 2	G1/4	G1/2
	QS-6	QS-8
	QS-8	QS-10
Constructional design	Directly-actuated diaphragm regulator with through compressed air supply	
Regulating function	Output pressure constant, with primary pressure compensation, with return flow action, with/without secondary venting	
Type of mounting	Via accessories	
	In-line installation	
	Front panel mounting	
Mounting position	Any	
Regulator lock	Rotary knob with detent	
	Rotary knob with detent, lockable via accessories	
	Rotary knob with integrated lock	
Pressure regulation range/operation	D5 [bar]	0.3 ... 4, manually operated ¹⁾
	D6 [bar]	0.3 ... 7, manually operated ¹⁾
	D7 [bar]	0.5 ... 12, manually operated (0.5 ... 10 with pressure sensor variant AD...) ¹⁾
	D8 [bar]	-
Max. hysteresis [bar]	0.25	0.25 (0.4 with rotary knob pressure gauge variant DM2)
Pressure display	Via pressure sensor for displaying output pressure via LCD display and electrical output	
	Via pressure sensor for displaying output pressure via operational status indicator and electrical output	
	Via pressure gauge for displaying output pressure	
	Via pressure gauge with red/green scale for displaying output pressure	
	Via pressure gauge in rotary knob for displaying output pressure	
	G1/8 prepared	-
G1/4 prepared	-	

1) MS4: For pressure regulators with rotary knob pressure gauge DM1, the pressure regulation range begins at 0.8 bar.

Note: This product conforms to ISO 1179-1 and ISO 228-1

Pressure regulators MS4/MS6-LRB, MS series

Technical data

Standard nominal flow rate $q_{nN}^{1)}$ [l/min]							
Size		MS4			MS6		
		Standard	Angled outlet block		Standard	Angled outlet block	
			QS-6	QS-8		QS-8	QS-10
Pressure regulation range	D5	1,900 ²⁾	300 ²⁾	650 ²⁾	7,300 ²⁾	600 ²⁾	750 ²⁾
	D6	1,700	350	840	6,300	880	1,000
	D7	1,500 ³⁾	350	640	5,500	800	950
	D8	–	–	–	4,500	750	850

1) Measured at $p_1 = 10$ bar and $p_2 = 6$ bar, $\Delta p = 1$ bar

2) Measured at $p_1 = 10$ bar and $p_2 = 3$ bar, $\Delta p = 1$ bar

3) In the case of the DM1/DM2 pressure regulator/gauge with rotary knob, q_{nN} is equal to 800 litres per minute and $q_{n \max}$ amounts to 2,200 litres per minute.

Operating and environmental conditions					
Variant		Standard		Pressure sensor AD...	
Size		MS4	MS6	MS4	MS6
Operating pressure	[bar]	0.8 ... 14	0.8 ... 20	0.8 ... 14	0.8 ... 20
Operating medium		Compressed air in accordance with ISO 8573-1:2010 [7:4:4]			
		Inert gases			
Note on operating/pilot medium		Operation with lubricated medium possible (in which case lubricated operation will always be required)			
Ambient temperature	[°C]	-10 ... +60	-10 ... +60	0 ... +50	0 ... +50
Temperature of medium	[°C]	-10 ... +60	-10 ... +60	0 ... +50	0 ... +50
Storage temperature	[°C]	-10 ... +60	-10 ... +60	-10 ... +60	-10 ... +60
Corrosion resistance class	CRC ¹⁾	2			

1) Corrosion resistance class 2 as per Festo standard 940 070

Components subject to moderate corrosion stress. Externally visible parts with primarily decorative surface requirements which are in direct contact with a normal industrial environment or media such as coolants or lubricating agents.

Weight [g]		
Size	MS4	MS6
Pressure regulator	222	747
Pressure regulator with rotary knob with integrated lock E11	347	1,017

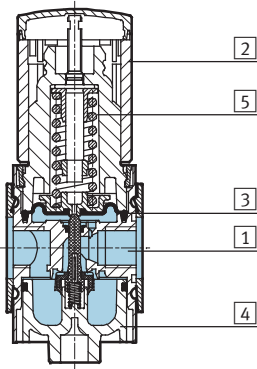
Pressure regulators MS4/MS6-LRB, MS series

Technical data

FESTO

Materials

Sectional view



Pressure regulator (manifold assembly)

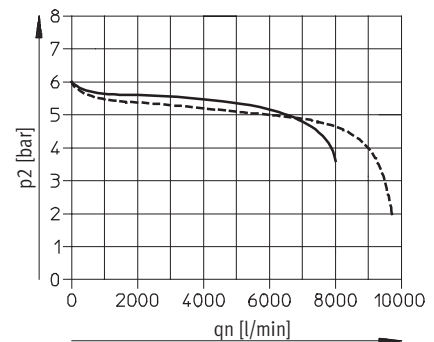
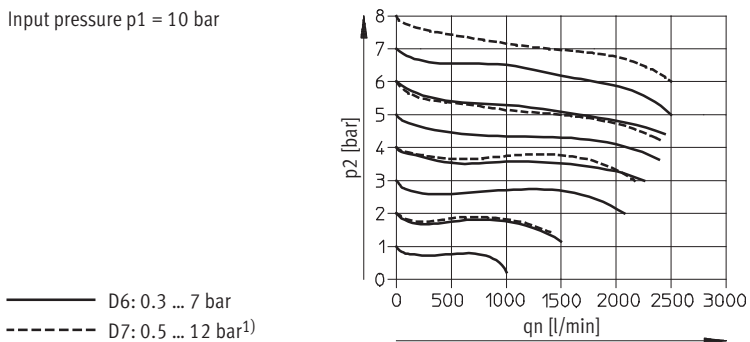
1	Housing	Die-cast aluminium
2	Rotary knob	PA/POM
	Rotary knob with integrated lock E11	Aluminium
3	Diaphragm	NBR
4	Cap, bottom	PET
5	Springs	Steel
-	Seals	NBR
Note on materials		RoHS-compliant
		Free of copper and PTFE only with cover plate VS

Standard flow rate q_n as a function of output pressure p_2

MS4-LRB-1/4

MS6-LRB-1/2

Input pressure $p_1 = 10$ bar



1) There is a higher initial pressure drop for the characteristic curve of the DM1 variant.

Pressure regulators MS4/MS6-LRB, MS series

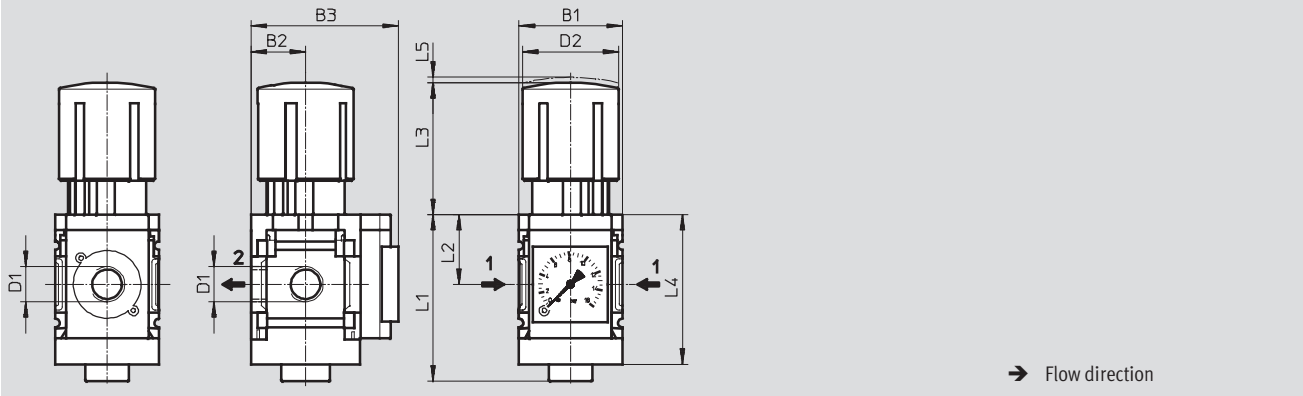
Technical data



Dimensions – Standard

Download CAD Data → www.festo.com/us/cad

Integrated pressure gauge, display unit [bar], standard rotary knob with detent



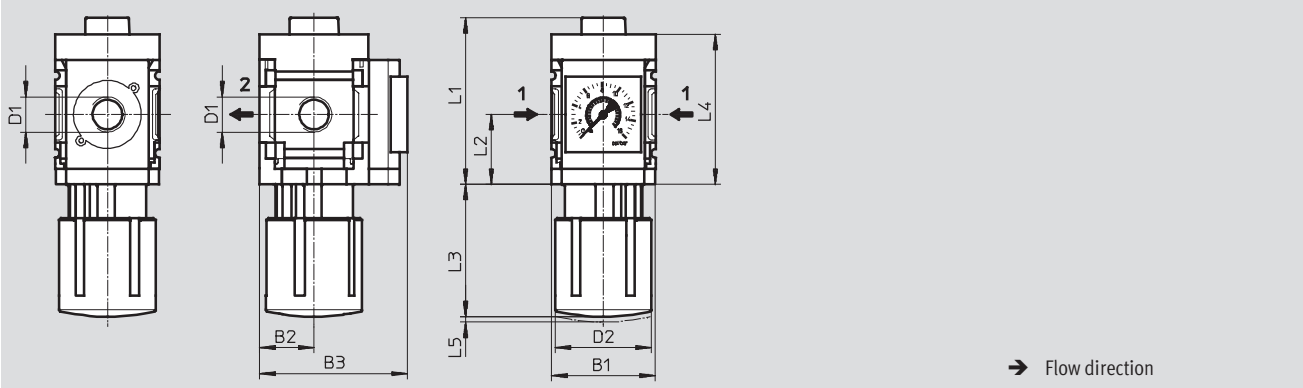
Type	B1	B2	B3		D1	D2	L1	L2	L3	L4	L5
			Standard scale	Red-green scale							
MS4-LRB-1/4	40	21	57	58.5	G1/4	37.2	64.4	27	51.1	58	2
MS6-LRB-1/2	62	31	77	78.5	G1/2	51	93	39	86	84	5

Note: This product conforms to ISO 1179-1 and ISO 228-1

Dimensions – Alternative mounting position

Download CAD Data → www.festo.com/us/cad

Rotary knob underneath KD



Type	B1	B2	B3	D1	D2	L1	L2	L3	L4	L5
MS4-LRB-1/4-...-KD	40	21	57	G1/4	37.2	64.4	27	51.1	58	2
MS6-LRB-1/2-...-KD	62	31	77	G1/2	51	93	39	86	84	5

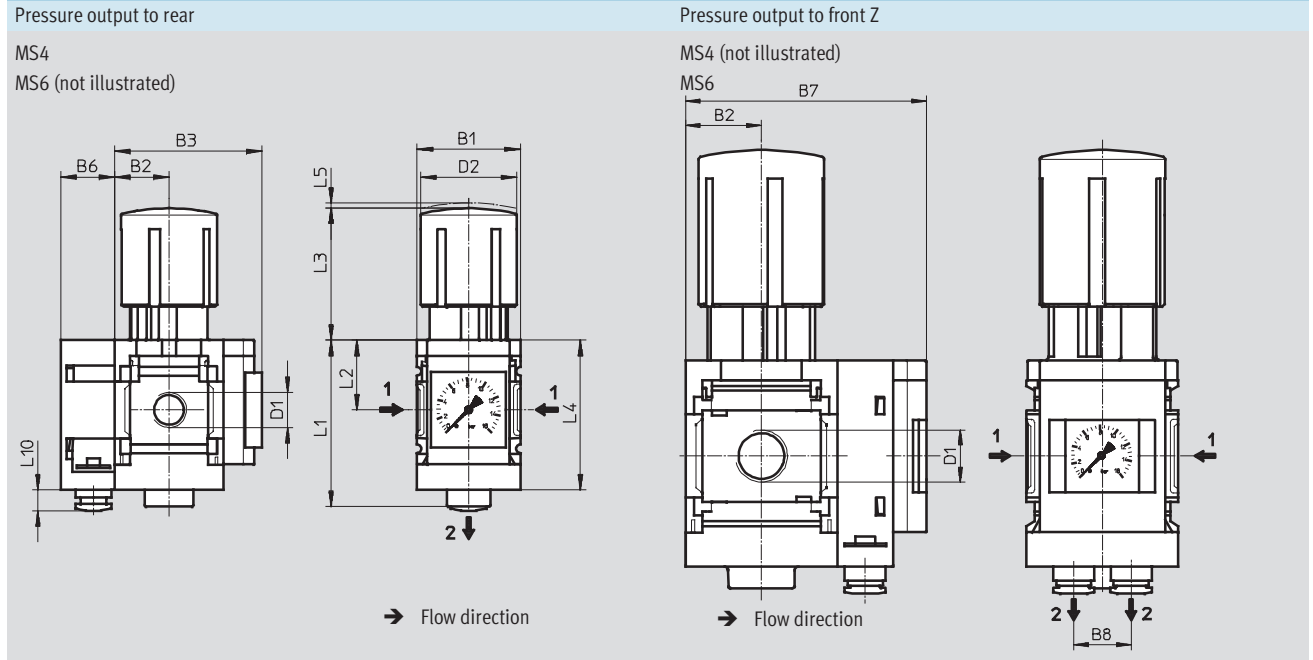
Note: This product conforms to ISO 1179-1 and ISO 228-1

Pressure regulators MS4/MS6-LRB, MS series

Technical data



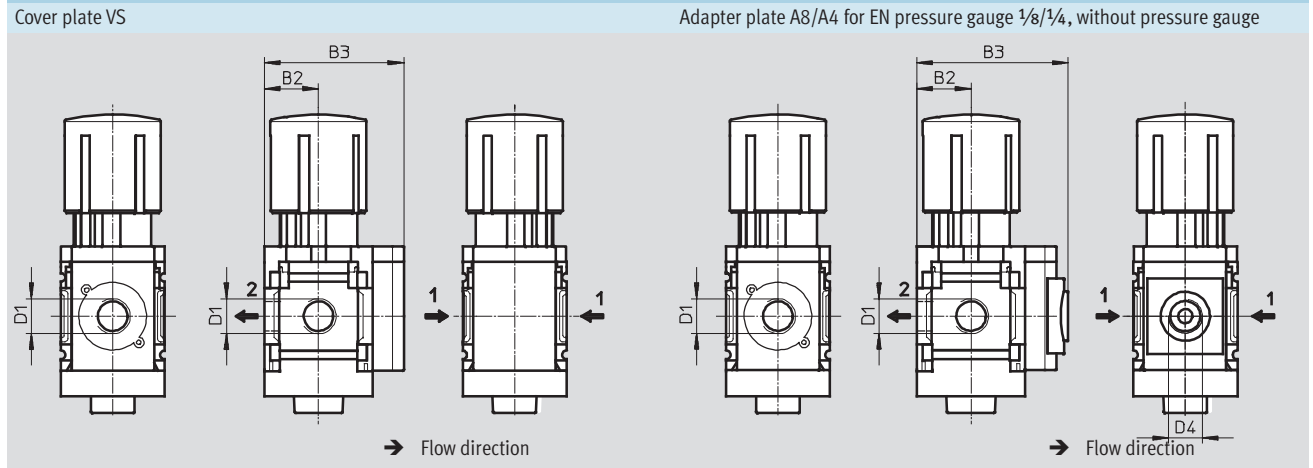
Dimensions – Angled outlet block BC/BD/BE Download CAD Data → www.festo.com/us/cad



Type	B1	B2	B3	B6	B7	B8	D1	D2	L1	L2	L3	L4	L5	L10
MS4-LRB-1/4-...-B...	40	21	57	21	78	–	G1/4	37.2	64.4	27	51.1	58	2	8
MS6-LRB-1/2-...-B...	62	31	77	22.6	99.6	23.4	G1/2	51	93	39	86	84	5	11

Note: This product conforms to ISO 1179-1 and ISO 228-1

Dimensions – Pressure gauge alternatives Download CAD Data → www.festo.com/us/cad



Type	B2	B3	D1	D4
MS4-LRB-1/4-...-VS	21	54	G1/4	–
MS4-LRB-1/4-...-A8	21	58.5	G1/4	G1/8
MS4-LRB-1/4-...-A4	21	58.5	G1/4	G1/4
MS6-LRB-1/2-...-VS	31	76	G1/2	–
MS6-LRB-1/2-...-A4	31	78.5	G1/2	G1/4

Note: This product conforms to ISO 1179-1 and ISO 228-1

Pressure regulators MS4/MS6-LRB, MS series

Technical data

Dimensions – Pressure gauge alternatives Download CAD Data → www.festo.com/us/cad

Pressure sensor with LCD display AD1 ... AD4 Technical data → Internet: [sde1](#)

Variant AD1:
SDE1-D10-G2-MS-L-P1-M8 with 3-pin plug M8x1, 1 switching output PNP

Variant AD2:
SDE1-D10-G2-MS-L-N1-M8 with 3-pin plug M8x1, 1 switching output NPN

Variant AD3:
SDE1-D10-G2-MS-L-PI-M12 with 4-pin plug M12x1, 1 switching output PNP and 4 ... 20 mA analogue

Variant AD4:
SDE1-D10-G2-MS-L-NI-M12 with 4-pin plug M12x1, 1 switching output NPN and 4 ... 20 mA analogue

Pressure sensor without LCD display (operational status indicator only) AD7 ... AD10 Technical data → Internet: [sde5](#)

Variant AD7:
SDE5-D10-O-...-P-M8 with 3-pin plug M8x1, threshold value comparator, 1 switching output PNP, N/O contact

Variant AD8:
SDE5-D10-C-...-P-M8 with 3-pin plug M8x1, threshold value comparator, 1 switching output PNP, N/C contact

Variant AD9:
SDE5-D10-O3-...-P-M8 with 3-pin plug M8x1, window comparator, 1 switching output PNP, N/O contact

Variant AD10:
SDE5-D10-C3-...-P-M8 with 3-pin plug M8x1, window comparator, 1 switching output PNP, N/C contact

Type	B2	B3	D1	D6	L5	L6
MS4-LRB-1/4-...-AD1/AD2	21	82.6	G1/4	M8x1	35.1	46.7
MS4-LRB-1/4-...-AD3/AD4	21	82.6	G1/4	M12x1	35.1	55.8
MS4-LRB-1/4-...-AD7/AD8/AD9/AD10	21	59.1	G1/4	M8x1	–	–
MS6-LRB-1/2-...-AD1/AD2	31	103	G1/2	M8x1	35.1	46.7
MS6-LRB-1/2-...-AD3/AD4	31	103	G1/2	M12x1	35.1	55.8
MS6-LRB-1/2-...-AD7/AD8/AD9/AD10	31	79	G1/2	M8x1	–	–

Note: This product conforms to ISO 1179-1 and ISO 228-1

Pressure regulators MS4/MS6-LRB, MS series

Technical data

FESTO

Dimensions – Rotary knob

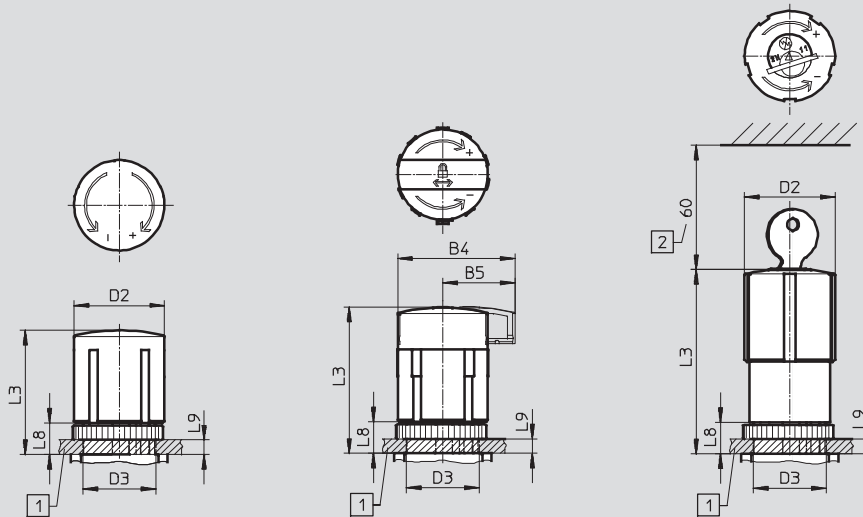
Download CAD Data → www.festo.com/us/cad

For installation into control panel

Standard rotary knob with detent

Standard rotary knob with detent,
lockable via accessories AS

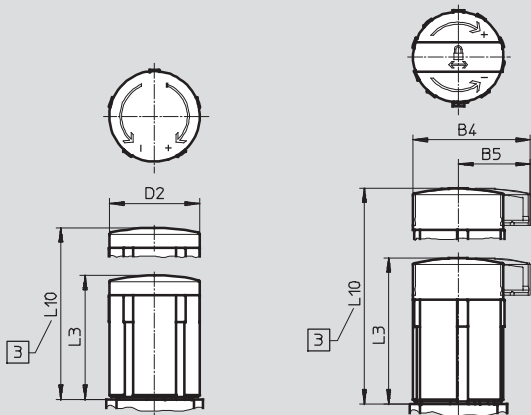
Rotary knob with integrated lock
E11



- 1 Max. control panel thickness
- 2 Installation dimensions

Long rotary knob with detent LD

Long rotary knob with detent,
lockable via accessories LD-AS

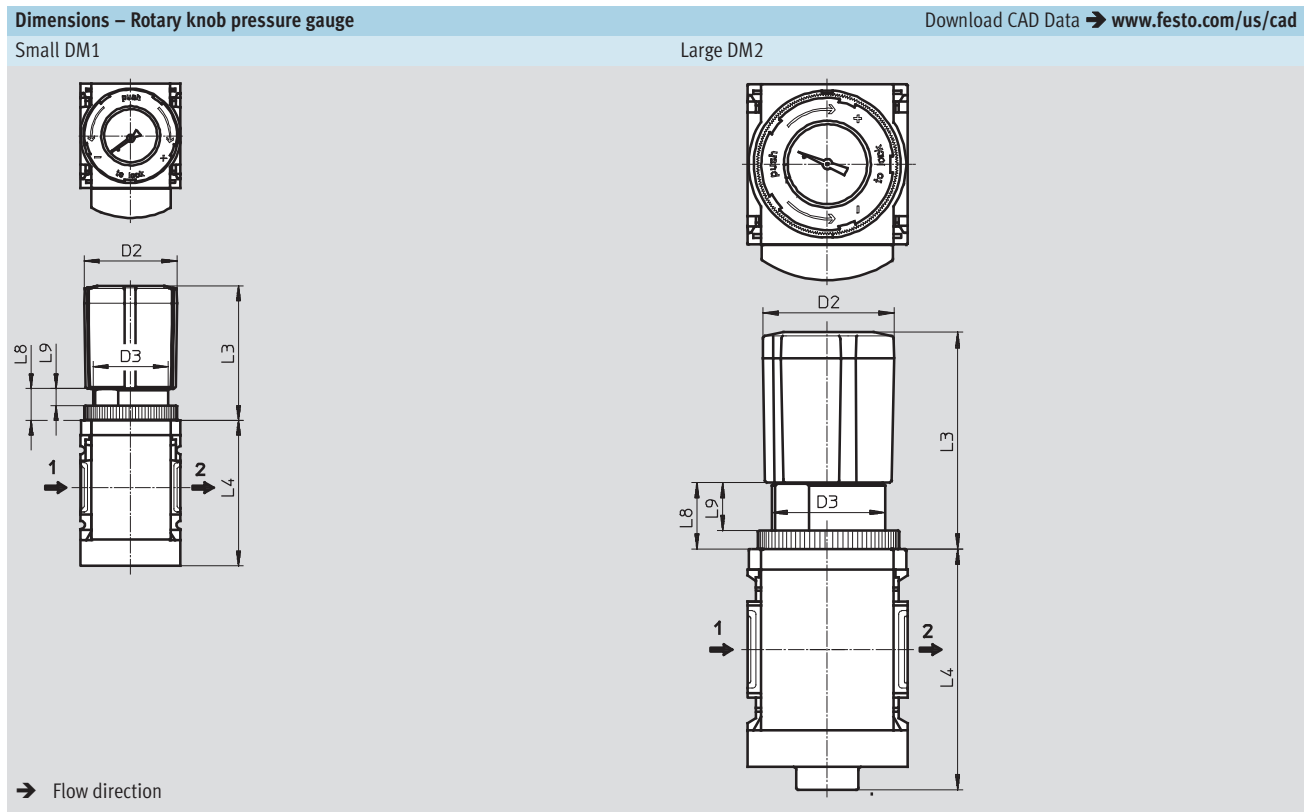


- 3 For pressure adjustment: pull out telescopic rotary knob fully

Type	B4	B5	D2	D3 +1	L3	L8	L9	L10
MS4-LRB-...	-	-	37.2	30	51.1	13	6	-
MS4-LRB-...-AS	48.3	29.7			60.2			
MS4-LRB-...-E11	-	-			76			
MS4-LRB-...-LD	-	-	37.2	-	51.1	-	-	76.8
MS4-LRB-...-LD-AS	48.3	29.7			60.2			85.7
MS6-LRB-...	-	-	51	44	86	22	14	-
MS6-LRB-...-AS	64.4	39			95.5			
MS6-LRB-...-E11	-	-			51.8			
MS6-LRB-...-LD	-	-	51	-	86	-	-	139
MS6-LRB-...-LD-AS	64.4	39			95.5			148.5

Pressure regulators MS4/MS6-LRB, MS series

Technical data



Type	D2	D3	L3	L4	L8	L9
MS4-LRB-...-DM1	37	M30x1	56	58,5	15	8,7
MS6-LRB-...-DM2	51	M44x1	84	93	26	19

Ordering data							
Standard rotary knob with detent, lockable via accessories							
Size	Connection	Pressure regulation range 0.3 ... 4 bar		Pressure regulation range 0.3 ... 7 bar		Pressure regulation range 0.5 ... 12 bar	
		Part No.	Type	Part No.	Type	Part No.	Type
Integrated pressure gauge, display unit [bar], pressure output to rear without angled outlet block							
MS4	G $\frac{1}{4}$	529473	MS4-LRB- $\frac{1}{4}$ -D5-AS	529479	MS4-LRB- $\frac{1}{4}$ -D6-AS	529485	MS4-LRB- $\frac{1}{4}$ -D7-AS
MS6	G $\frac{1}{2}$	530322	MS6-LRB- $\frac{1}{2}$ -D5-AS	530328	MS6-LRB- $\frac{1}{2}$ -D6-AS	530334	MS6-LRB- $\frac{1}{2}$ -D7-AS
Integrated pressure gauge, display unit [bar], pressure output to rear with angled outlet block QS-8							
MS4	G $\frac{1}{4}$	529474	MS4-LRB- $\frac{1}{4}$ -D5-AS-BD	529480	MS4-LRB- $\frac{1}{4}$ -D6-AS-BD	529486	MS4-LRB- $\frac{1}{4}$ -D7-AS-BD
MS6	G $\frac{1}{2}$	530323	MS6-LRB- $\frac{1}{2}$ -D5-AS-BD	530329	MS6-LRB- $\frac{1}{2}$ -D6-AS-BD	530335	MS6-LRB- $\frac{1}{2}$ -D7-AS-BD
Adapter plate A8 for EN pressure gauge $\frac{1}{8}$, pressure output to rear without angled outlet block							
MS4	G $\frac{1}{4}$	529471	MS4-LRB- $\frac{1}{4}$ -D5-A8-AS	529477	MS4-LRB- $\frac{1}{4}$ -D6-A8-AS	529483	MS4-LRB- $\frac{1}{4}$ -D7-A8-AS
Adapter plate A4 for EN pressure gauge $\frac{1}{4}$, pressure output to rear without angled outlet block							
MS6	G $\frac{1}{2}$	530320	MS6-LRB- $\frac{1}{2}$ -D5-A4-AS	530326	MS6-LRB- $\frac{1}{2}$ -D6-A4-AS	530332	MS6-LRB- $\frac{1}{2}$ -D7-A4-AS

Ordering data – Wearing parts kits		
Size	Part No.	Type
MS4	673649	MS4-LR/LRB
MS6	673650	MS6-LR/LRB

Pressure regulators MS4/MS6-LRB, MS series

Ordering data – Modular products

FESTO

M Mandatory data						O Options →
Module No.	Series	Size	Function	Connection size	Pressure regulation range	Pressure gauge alternatives
527692 527665	MS	4 6	LRB	1/4 1/2 AGA, AGB, AGC, AGD, AGE	D5 D6 D7 D8	VS, A8, A4, RG, AD1 ... AD4 AD7 ... AD10
Order example 527692	MS	4	- LRB	- AGC	- D5	- A4

Ordering table						
Grid dimension	[mm]	40	62	Conditions	Code	Enter code
M	Module No.	527692		527665		
	Series	Standard			MS	MS
	Size	4	6		...	
	Function	Pressure regulator for manifold assembly			-LRB	-LRB
	Connection size	Thread G1/4	-		-1/4	
		-	Thread G1/2		-1/2	
		Connecting plate G1/8	-		-AGA	
		Connecting plate G1/4	Connecting plate G1/4		-AGB	
		Connecting plate G3/8	Connecting plate G3/8		-AGC	
		-	Connecting plate G1/2		-AGD	
		-	Connecting plate G3/4		-AGE	
	Pressure range/operation	0.3 ... 4 bar, manually operated			-D5	
		0.3 ... 7 bar, manually operated			-D6	
		0.5 ... 12 bar, manually operated			-D7	
		-	0.5 ... 16 bar, manually operated		1	-D8
O	Pressure gauge alternatives	Cover plate		2	-VS	
		Adapter plate for EN pressure gauge 1/8, without pressure gauge		3	-A8	
		Adapter plate for EN pressure gauge 1/4, without pressure gauge		3	-A4	
		Integrated pressure gauge, red-green scale		1	-RG	
		Pressure sensor with display, plug M8, 1 switching output PNP, 3-pin		3 4	-AD1	
		Pressure sensor with display, plug M8, 1 switching output NPN, 3-pin		3 4	-AD2	
		Pressure sensor with display, plug M12, 1 switching output PNP, 4-pin, analogue output 4 ... 20 mA		3 4	-AD3	
		Pressure sensor with display, plug M12, 1 switching output NPN, 4-pin, analogue output 4 ... 20 mA		3 4	-AD4	
		Pressure sensor without display, plug M8, threshold value comparator, PNP, N/O contact		4 5	-AD7	
		Pressure sensor without display, plug M8, threshold value comparator, PNP, N/C contact		4 5	-AD8	
		Pressure sensor without display, plug M8, window comparator, PNP, N/O contact		4 5	-AD9	
	Pressure sensor without display, plug M8, window comparator, PNP, N/C contact		4 5	-AD10		

1 D8, RG, OS, KD, AS

Not with rotary knob pressure gauge DM1, DM2

2 VS

Must be selected if alternative flow direction Z is selected without alternative mounting position KD and without pressure output BC, BD, BE.

Must be selected if alternative mounting position KD is selected without alternative flow direction Z and without pressure output BC, BD, BE

3 A8, A4, AD1 ... AD4

Not with alternative flow direction Z.

In combination with alternative flow direction Z only with alternative mounting position KD

4 AD1 ... AD4, AD7 ... AD10

Measuring range max. 10 bar

Not with pressure regulation range D8

5 AD7 ... AD10

In combination with alternative flow direction Z only with pressure output BC, BD, BE or

In combination with alternative flow direction Z only with alternative mounting position KD

Transfer order code

	MS		-	LRB	-		-		-	
--	----	--	---	-----	---	--	---	--	---	--

Pressure regulators MS4/MS6-LRB, MS series

Ordering data – Modular products

Options							
Alternative pressure gauge scale	Secondary venting	Rotary knob alternative	Alternative mounting position	Security	Pressure output	Type of mounting	Alternative flow direction
PSI MPA	OS	LD DM1 DM2	KD	AS E11	BC BD BE	WR WP, WPM WPB WB, WBM	Z
-	- OS	- LD	-	- AS	- BC	- WP	-

Ordering table						
Grid dimension	[mm]	40	62	Condition s	Code	Enter code
Alternative pressure gauge scale	psi			6	-PSI	
	MPa			6 7	-MPA	
Secondary venting	Without secondary venting			1	-OS	
Rotary knob alternative	Long rotary knob			8	-LD	
	Rotary knob pressure gauge, small		-	8 9	-DM1	
	-		Rotary knob pressure gauge, large	8 9	-DM2	
Alternative mounting position	Rotary knob underneath			1 10	-KD	
Security	Lockable via accessories			1	-AS	
	With integrated lock				-E11	
Pressure output (p _{max} = 10 bar)	Angled outlet block QS-6		-		-BC	
	Angled outlet block QS-8		Angled outlet block QS-8		-BD	
	-		Angled outlet block QS-10		-BE	
Type of mounting	Mounting bracket with knurled nut for regulator head			11 12	-WR	
	Mounting bracket			13 14	-WP	
	Mounting bracket			11 13	-WPM	
	Mounting bracket for large wall gap			13 15	-WPB	
	Mounting bracket			11	-WB	
	Mounting bracket		-	11	-WBM	
Alternative flow direction	Pressure output to front (without pressure output, no pressure gauge)				-Z	

1 D8, RG, OS, KD, AS

- Not with rotary knob pressure gauge DM1, DM2
- 6 PSI, MPA** Not with pressure gauge alternatives VS, A8, A4, AD1 ... AD4, AD7 ... AD10
In combination with alternative flow direction Z only with pressure output BC, BD, BE
- 7 MPA** Not with alternative mounting position KD.
Not with rotary knob alternative DM1, DM2
- 8 LD, DM1, DM2**
Not with integrated lock E11
- 9 DM1, DM2** Can only be selected in combination with pressure gauge alternative VS, A4, AD1 ... AD4, AD7 ... AD10
- 10 KD** Not with alternative pressure gauge scale MPA.
In combination with alternative pressure gauge scale PSI only with alternative flow direction Z and/or only with pressure output BC, BD, BE
Not with mounting type WP, WPB.
In combination with mounting type WR, WPM, WB, WBM not with alternative flow direction Z.
Not with pressure gauge alternative RG.
In combination with pressure gauge alternatives A8, A4, AD1, AD2, AD3, AD4 only with alternative flow direction Z.

11 WR, WPM, WB, WBM

- In combination with alternative flow direction Z not with alternative mounting position KD
- 12 WR** Only with alternative flow direction Z.
Not with rotary knob alternative LD
- 13 WP, WPM, WPB**
Only with connecting plate AGA, AGB, AGC, AGD, AGE
- 14 WP** Only with alternative flow direction Z and/or only with pressure output BC, BD, BE
- 15 WPB** Not with alternative flow direction Z.
Not with pressure output BC, BD, BE

Transfer order code

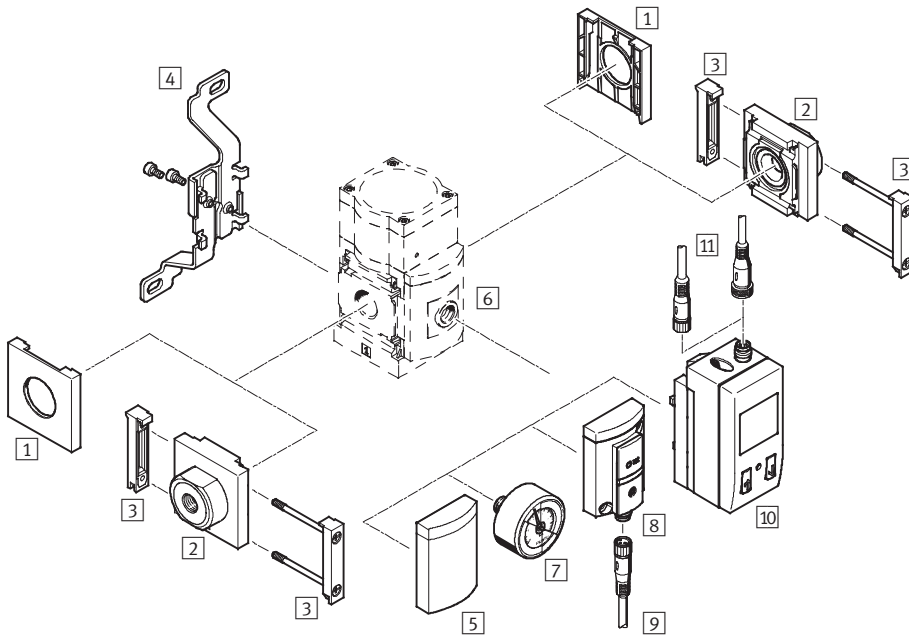
- [] - [] - [] - [] - [] - [] - [] - []

Precision pressure regulators MS6-LRP, MS series

Peripherals overview

FESTO

Precision pressure regulator MS6-LRP



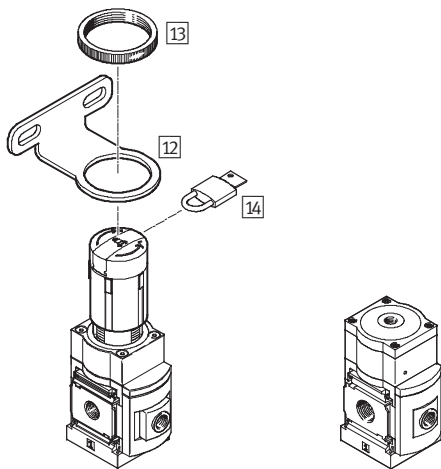
Note

Additional accessories:

- Module connector for combination with size MS4/MS6 or size MS9 → Internet: amv, rmv, armv
- Adapter plate for mounting on profiles → Internet: ipm-80, ipm-40-80, ipm-80-80

Manually operated

Pneumatically actuated



Precision pressure regulators MS6-LRP, MS series

Peripherals overview

Mounting attachments and accessories						
		Individual device		Combination		→ Page/Internet
		Without connecting plate	With connecting plate	Without connecting plate	With connecting plate	
1	Cover cap MS6-END	■	-	■	-	ms6-end
2	Connecting plate MS6-AG...	-	■	-	■	ms6-ag
3	Module connector MS6-MV	-	■	■	■	ms6-mv
4	Mounting bracket MS6-WB	■	■	-	-	ms6-wb
5	Cover plate VS	■	■	■	■	48
6	Adapter plate for EN pressure gauge 1/8/1/4 A8/A4	■	■	■	■	48
7	Precision pressure gauge A8M/MAP	■	■	■	■	48, 98
8	Pressure sensor without display AD7 ... AD10	■	■	■	■	48
9	Connecting cable NEBU-M8...-LE3	■	■	■	■	98
10	Pressure sensor with display AD1 ... AD4	■	■	■	■	48
11	Connecting cable NEBU-M8...-LE3/NEBU-M12...-LE4	■	■	■	■	98
12	Mounting bracket MS6-WR	■	■	-	-	ms6-wr
13	Knurled nut (included in scope of delivery) MS-LR	■	■	-	-	-
14	Padlock LRVS-D	■	■	■	■	98
-	Mounting bracket MS6-WP/WPB/WPE/WPM	-	■	■	■	ms6-wp

Precision pressure regulators MS6-LRP, MS series

Type codes

		MS	6	-	LRP	-	1/2	-	D7	-	A8
Series											
MS	Standard service unit										
Size											
6	Grid dimension 62 mm										
Service function											
LRP	Precision pressure regulator										
Connection size											
1/4	G1/4 thread										
3/8	G3/8 thread										
1/2	G1/2 thread										
Pressure regulation range/operation											
D2	0.05 ... 0.7 bar, manually operated										
D4	0.05 ... 2.5 bar, manually operated										
D5	0.1 ... 4 bar, manually operated										
D7	0.1 ... 12 bar, manually operated										
Pressure gauge alternatives											
A8	Adapter plate for EN pressure gauge 1/8, without pressure gauge										

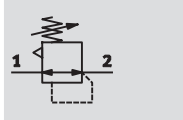
Further variants can be ordered using the modular system → 48

- Connecting plates
- Pressure regulation range/operation
- Pressure gauge alternatives
- Rotary knob alternatives
- Alternative mounting position
- Security
- Type of mounting
- Alternative flow direction

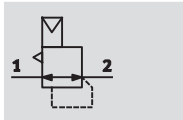
Precision pressure regulators MS6-LRP, MS series

Technical data

Pressure regulation range/operation manually operated D2/D4/D5/D7



pneumatically actuated PO



Flow rate
800 ... 5,000 l/min
Temperature range
-10 ... +60 °C
Pressure
1 ... 14 bar
www.festo.com/en/
Spare_parts_service



The precision pressure regulator is suitable for sensitive applications with a required hysteresis of 0.02 bar. The output pressure p2 can be set within the pressure regulation range either manually using the rotary knob or pneumatically via a pilot pressure p12

by an external pilot regulator (if possible using a precision pressure regulator). When switching off the input pressure p1, the output pressure p2 is vented via the connection 3 (secondary venting).

- Good regulation characteristics with low hysteresis and primary pressure compensation
- High flow rate with minimal pressure drop
- High secondary venting for fast response times
- Regulator lock for protecting the values against adjustment
- Four pressure regulation ranges: 0.05 ... 0.7 bar, 0.05 ... 2.5 bar, 0.1 ... 4 bar and 0.1 ... 12 bar
- Optional pressure sensor

General technical data		MS6	
Size		MS6	
Pneumatic connection 1, 2		G $\frac{1}{4}$	G $\frac{3}{8}$ / G $\frac{1}{2}$
Pneumatic connection 3 (secondary venting)		G $\frac{1}{4}$	
Pilot air connection 12 with variant PO		G $\frac{1}{8}$	
Constructional design		Piloted precision diaphragm regulator	
Regulating function		Output pressure constant, via secondary venting	
Type of mounting		Via accessories	
		In-line installation	
		Front panel mounting	
Mounting position		Any	
Regulator lock		Rotary knob with detent	
		Rotary knob with detent, lockable via accessories	
		Rotary knob with integrated lock	
Pressure regulation range/operation ¹⁾	D2 [bar]	0.05 ... 0.7, manually operated	
	D4 [bar]	0.05 ... 2.5, manually operated	
	D5 [bar]	0.1 ... 4, manually operated	
	D7 [bar]	0.1 ... 12, manually operated (0.1 ... 10 with pressure sensor variant AD...)	
	PO [bar]	0.1 ... 12, pneumatically actuated (0.1 ... 10 with pressure sensor variant AD...)	
Max. hysteresis [bar]		0.02	
Pressure indication		Via pressure sensor for displaying output pressure via LCD display and electrical output	
		Via pressure sensor for displaying output pressure via operational status indicator and electrical output	
		Via precision pressure gauge for displaying output pressure	
		G $\frac{1}{8}$ prepared	
		G $\frac{1}{4}$ prepared	

1) Variant D2/D4/D5/D7: Supply pressure p1 ≥ output pressure p2 + 1 bar. Variant PO: Output pressure p2 = pilot pressure p12 + max. 0.5 bar.

Note: This product conforms to ISO 1179-1 and ISO 228-1

Precision pressure regulators MS6-LRP, MS series

FESTO

Technical data

Flow rates				
Pressure regulation range	D2 (0.05 ... 0.7 bar)	D4 (0.05 ... 2.5 bar)	D5 (0.1 ... 4 bar)	D7/PO (0.1 ... 12 bar)
Standard nominal flow rate q_{nN} [l/min]				
$q_{nN} 1 \rightarrow 2$	G $\frac{1}{4}$	800 ¹⁾	1,100 ²⁾	1,400 ³⁾
	G $\frac{3}{8}$	1,100 ¹⁾	1,400 ²⁾	1,700 ³⁾
	G $\frac{1}{2}$	1,600 ¹⁾	2,300 ²⁾	3,000 ³⁾
Secondary venting flow rate [l/min]				
$q_{n2} \rightarrow 3$	≥ 220 ⁵⁾	≥ 450 ⁶⁾	≥ 650 ⁷⁾	≥ 900 ⁸⁾

- 1) Measured at $p_1 = 10$ bar and $p_2 = 0.5$ bar, $\Delta p = 0.1$ bar
 2) Measured at $p_1 = 10$ bar and $p_2 = 1.5$ bar, $\Delta p = 0.1$ bar
 3) Measured at $p_1 = 10$ bar and $p_2 = 2.5$ bar, $\Delta p = 0.1$ bar
 4) Measured at $p_1 = 10$ bar and $p_2 = 6.0$ bar, $\Delta p = 0.1$ bar

- 5) Measured at $p_1 = 10$ bar and $p_2 = 0.7$ bar, $\Delta p_2 = 0.1$ bar
 6) Measured at $p_1 = 10$ bar and $p_2 = 2.5$ bar, $\Delta p_2 = 0.1$ bar
 7) Measured at $p_1 = 10$ bar and $p_2 = 4.0$ bar, $\Delta p_2 = 0.1$ bar
 8) Measured at $p_1 = 10$ bar and $p_2 = 6.0$ bar, $\Delta p_2 = 0.1$ bar

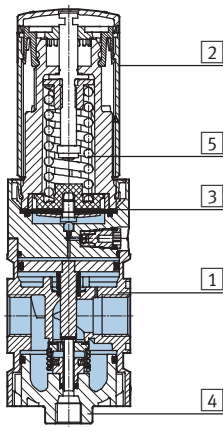
Operating and environmental conditions		
Variant	Standard	Pressure sensor AD...
Operating pressure [bar]	1 ... 14	1 ... 14
Operating medium	Compressed air in accordance with ISO 8573-1:2010 [7:4:4] Inert gases	
Note on operating/pilot medium	Operation with lubricated medium not possible	
Ambient temperature [°C]	-10 ... +60	0 ... +50
Temperature of medium [°C]	-10 ... +60	0 ... +50
Storage temperature [°C]	-10 ... +60	-10 ... +60
Corrosion resistance class CRC ¹⁾	2	

- 1) Corrosion resistance class 2 as per Festo standard 940 070
 Components subject to moderate corrosion stress. Externally visible parts with primarily decorative surface requirements which are in direct contact with a normal industrial environment or media such as coolants or lubricating agents.

Weight [g]	
Precision pressure regulator	1,000
Precision pressure regulator with rotary knob with integrated lock E11	1,120

Materials

Sectional view



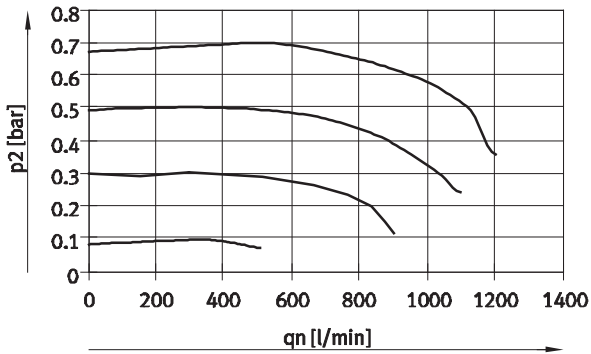
Precision pressure regulator	
1	Housing Die-cast aluminium
2	Rotary knob PA/POM
	Rotary knob with integrated lock E11 Aluminium
3	Diaphragm NBR
4	Cap, bottom PC
5	Springs Steel
-	Seals NBR
Note on materials RoHS-compliant Free of copper and PTFE (not with variant A8M or AD...)	

Precision pressure regulators MS6-LRP, MS series

Technical data

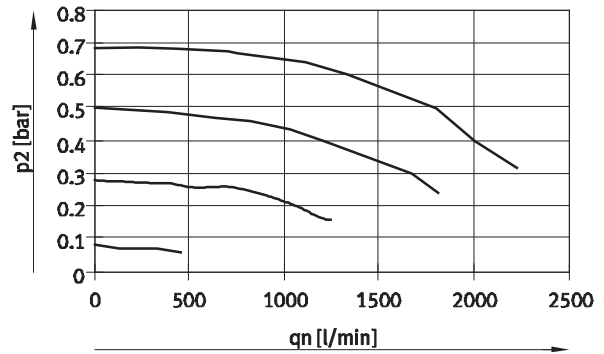
Standard flow rate q_n as a function of output pressure p_2 ($p_1 = 10$ bar)

MS6-LRP- $\frac{1}{4}$ -D2



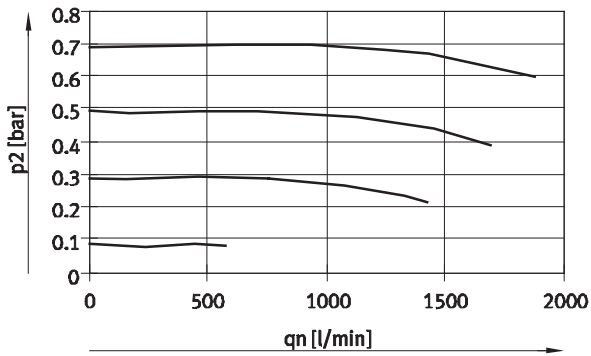
D2: 0.05...0.7 bar

MS6-LRP- $\frac{3}{8}$ -D2



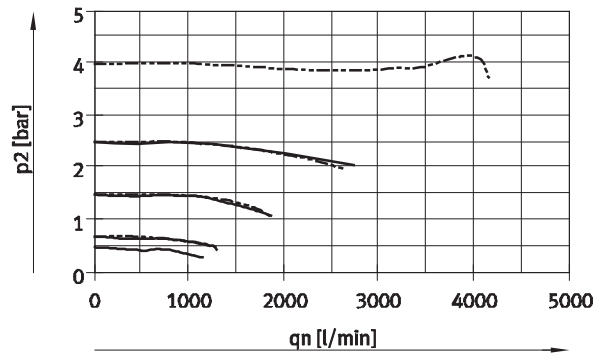
D2: 0.05...0.7 bar

MS6-LRP- $\frac{1}{2}$ -D2



D2: 0.05...0.7 bar

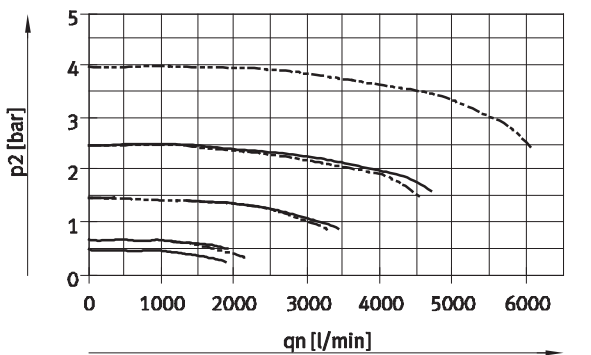
MS6-LRP- $\frac{1}{4}$ -D4/D5



D4: 0.05...2.5 bar

D5: 0.1...4 bar

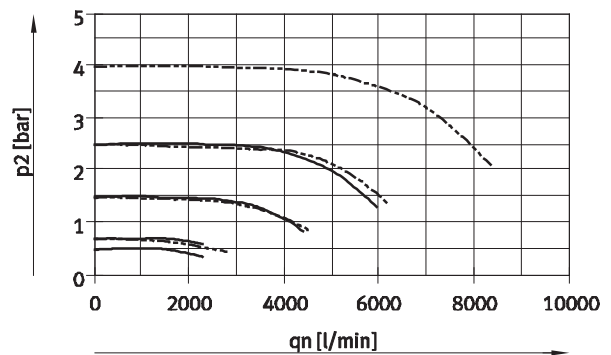
MS6-LRP- $\frac{3}{8}$ -D4/D5



D4: 0.05...2.5 bar

D5: 0.1...4 bar

MS6-LRP- $\frac{1}{2}$ -D4/D5



D4: 0.05...2.5 bar

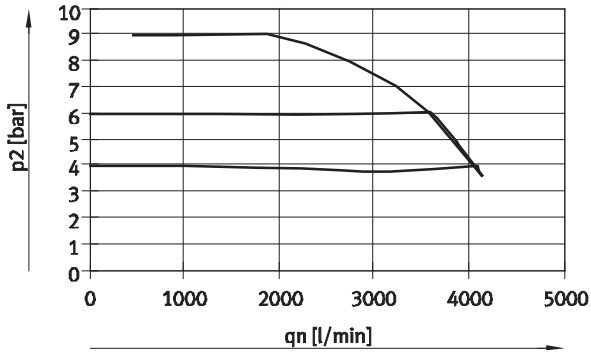
D5: 0.1...4 bar

Precision pressure regulators MS6-LRP, MS series

Technical data

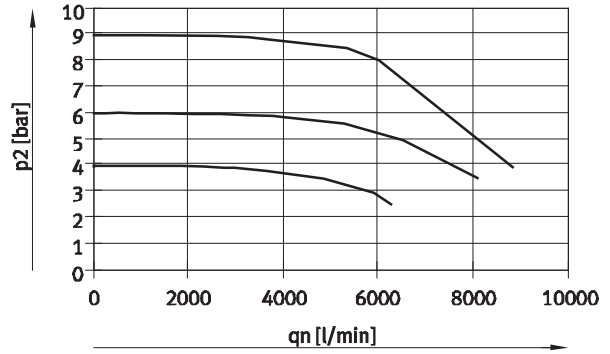
Standard flow rate q_n as a function of output pressure p_2 ($p_1 = 10$ bar)

MS6-LRP- $\frac{1}{4}$ -D7/PO



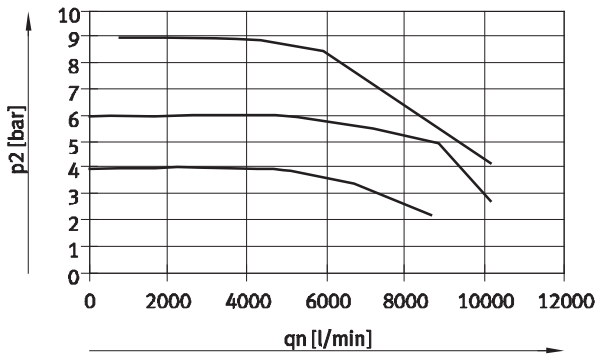
— D7/PO: 0.1...12 bar

MS6-LRP- $\frac{3}{8}$ -D7/PO



— D7/PO: 0.1...12 bar

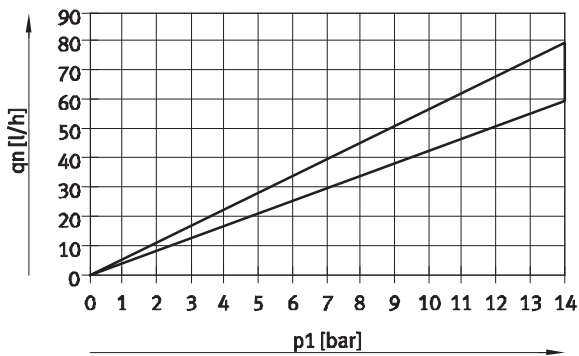
MS6-LRP- $\frac{1}{2}$ -D7/PO



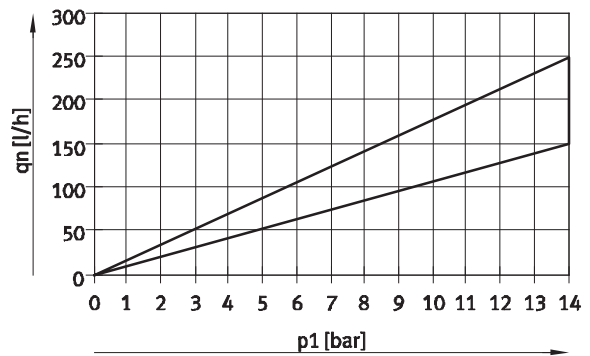
— D7/PO: 0.1...12 bar

Internal air consumption q_n as a function of input pressure p_1

MS6-LRP-...-D2/D4



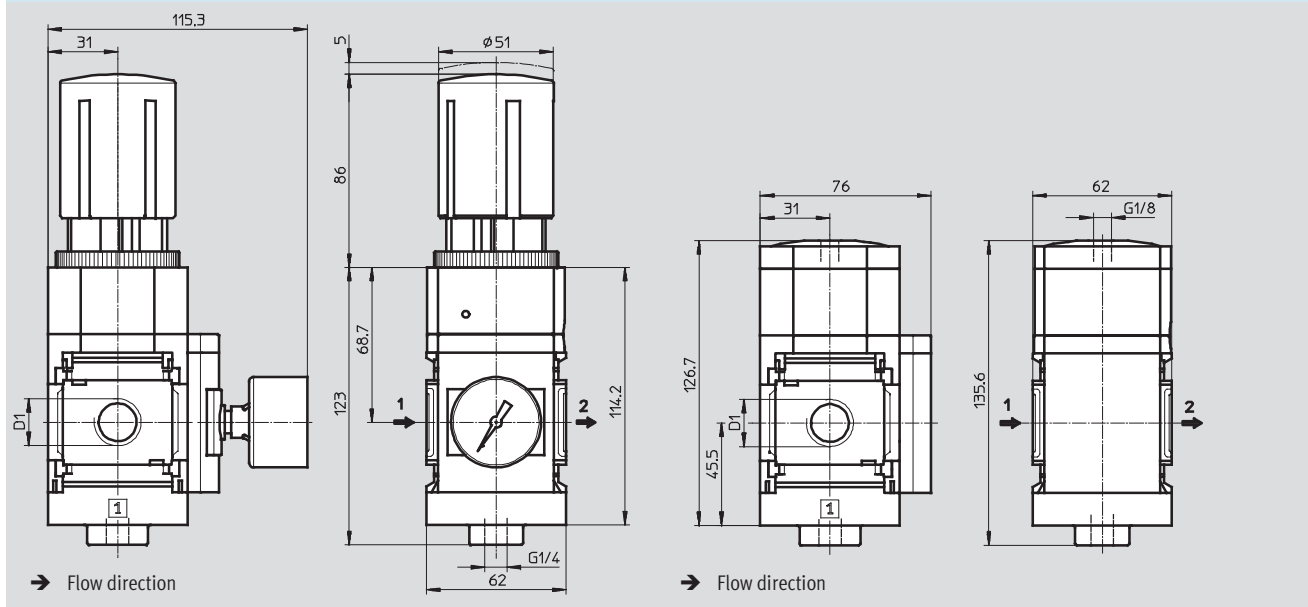
MS6-LRP-...-D5/D7/PO



Precision pressure regulators MS6-LRP, MS series

Technical data

Dimensions Download CAD Data → www.festo.com/us/cad
 manually operated D2/D4/D5/D7, pneumatically actuated PO,
 with adapter plate A8M for EN pressure gauge 1/8 as pressure gauge alternative with cover plate VS as pressure gauge alternative
 with precision pressure gauge MAP

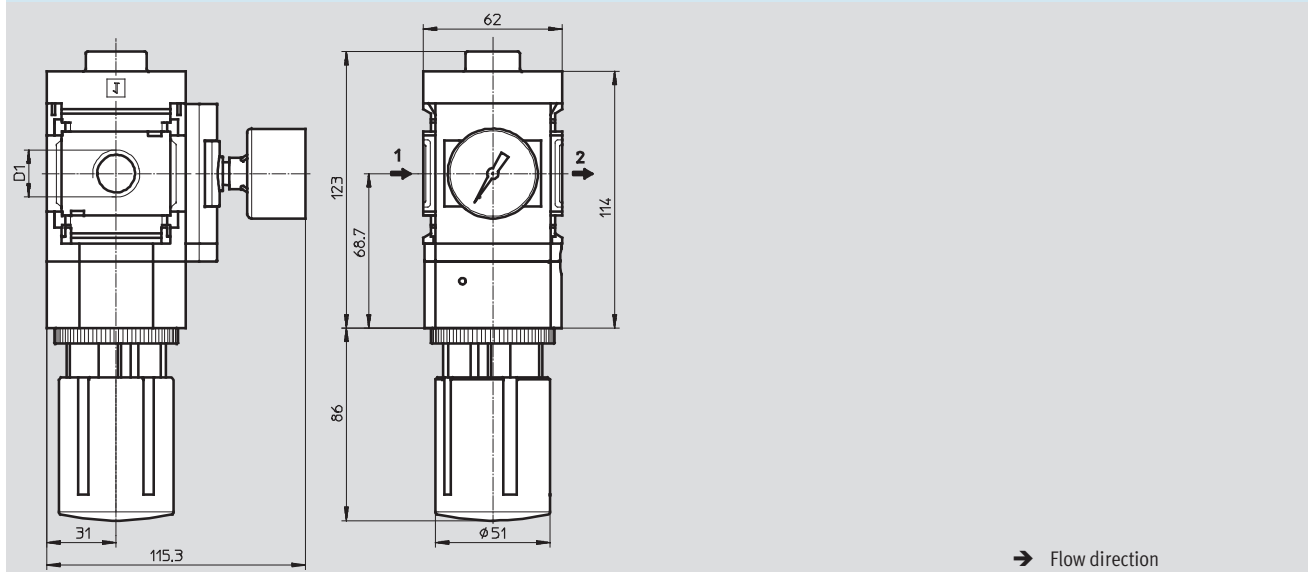


Type	D1
MS6-LRP-1/4-D2/D4/D5/D7-A8M	G1/4
MS6-LRP-3/8-D2/D4/D5/D7-A8M	G3/8
MS6-LRP-1/2-D2/D4/D5/D7-A8M	G1/2

Type	D1
MS6-LRP-1/4-PO-VS	G1/4
MS6-LRP-3/8-PO-VS	G3/8
MS6-LRP-1/2-PO-VS	G1/2

Note: This product conforms to ISO 1179-1 and ISO 228-1

Dimensions – Alternative mounting position Download CAD Data → www.festo.com/us/cad
 Rotary knob at bottom KD



Type	D1
MS6-LRP-1/4-...-KD	G1/4
MS6-LRP-3/8-...-KD	G3/8
MS6-LRP-1/2-...-KD	G1/2

Note: This product conforms to ISO 1179-1 and ISO 228-1

Precision pressure regulators MS6-LRP, MS series



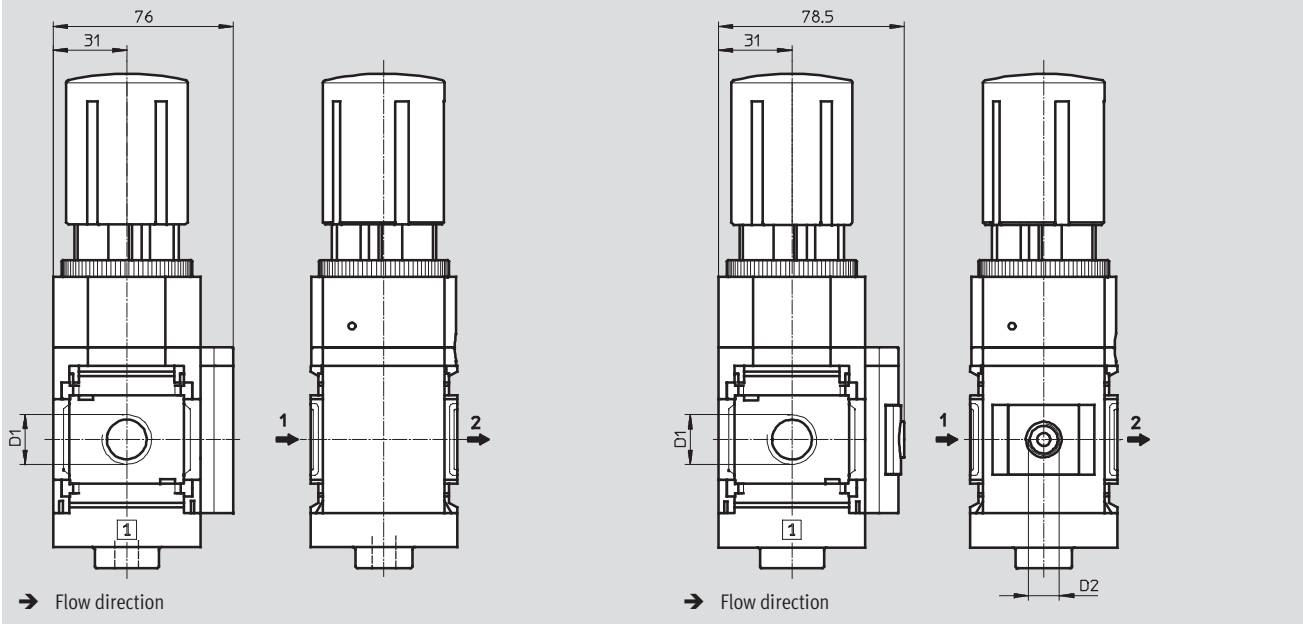
Technical data

Dimensions – Pressure gauge alternatives

Download CAD Data → www.festo.com/us/cad

Cover plate VS

Adapter plate A8/A4 for EN pressure gauge 1/8/1/4, without pressure gauge



Type	D1	D2
MS6-LRP-1/4-...-VS	G1/4	-
MS6-LRP-3/8-...-VS	G3/8	
MS6-LRP-1/2-...-VS	G1/2	
MS6-LRP-1/4-...-A8	G1/4	G1/8
MS6-LRP-3/8-...-A8	G3/8	
MS6-LRP-1/2-...-A8	G1/2	
MS6-LRP-1/4-...-A4	G1/4	G1/4
MS6-LRP-3/8-...-A4	G3/8	
MS6-LRP-1/2-...-A4	G1/2	

Note: This product conforms to ISO 1179-1 and ISO 228-1

Precision pressure regulators MS6-LRP, MS series

Technical data

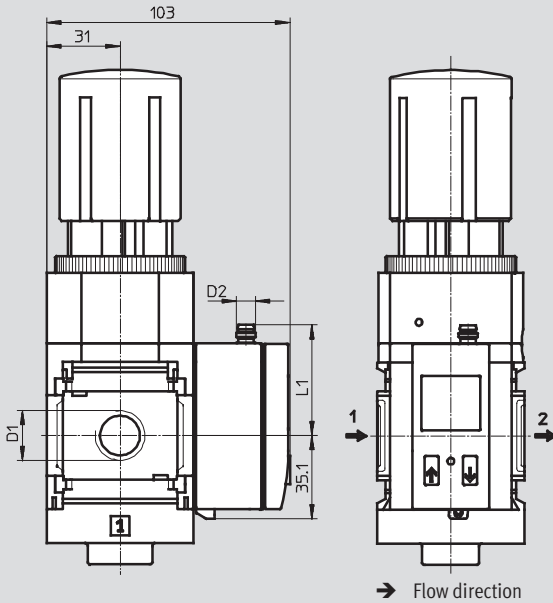
FESTO

Dimensions – Pressure gauge alternatives

Download CAD Data → www.festo.com/us/cad

Pressure sensor with LCD display AD1 ... AD4

Technical data → Internet: [sde1](#)



Variant AD1:
SDE1-D10-G2-MS-L-P1-M8 with
3-pin plug M8x1, 1 switching
output PNP

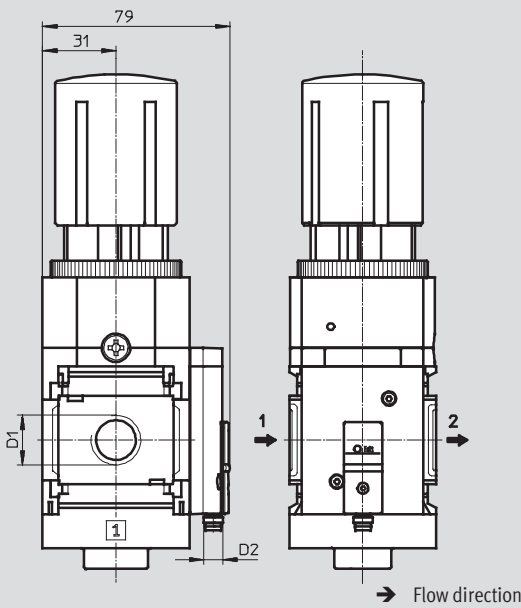
Variant AD3:
SDE1-D10-G2-MS-L-PI-M12 with
4-pin plug M12x1, 1 switching
output PNP and 4 ... 20 mA
analogue

Variant AD2:
SDE1-D10-G2-MS-L-N1-M8 with
3-pin plug M8x1, 1 switching
output NPN

Variant AD4:
SDE1-D10-G2-MS-L-NI-M12 with
4-pin plug M12x1, 1 switching
output NPN and 4 ... 20 mA
analogue

Pressure sensor without LCD display (operational status indicator only) AD7 ... AD10

Technical data → Internet: [sde5](#)



Variant AD7:
SDE5-D10-0-...-P-M8 with 3-pin
plug M8x1, threshold value
comparator, 1 switching output PNP,
N/O contact

Variant AD9:
SDE5-D10-03-...-P-M8 with 3-pin
plug M8x1, window comparator,
1 switching output PNP, N/O contact

Variant AD8:
SDE5-D10-C-...-P-M8 with 3-pin
plug M8x1, threshold value
comparator, 1 switching output PNP,
N/C contact

Variant AD10:
SDE5-D10-C3-...-P-M8 with 3-pin
plug M8x1, window comparator,
1 switching output PNP, N/C contact

Type	D1	D2	L1
MS6-LRP-1/4-...-AD1/AD2	G1/4	M8x1	46.7
MS6-LRP-3/8-...-AD1/AD2	G3/8		
MS6-LRP-1/2-...-AD1/AD2	G1/2		
MS6-LRP-1/4-...-AD3/AD4	G1/4	M12x1	55.8
MS6-LRP-3/8-...-AD3/AD4	G3/8		
MS6-LRP-1/2-...-AD3/AD4	G1/2		
MS6-LRP-1/4-...-AD7/AD8/AD9/AD10	G1/4	M8x1	-
MS6-LRP-3/8-...-AD7/AD8/AD9/AD10	G3/8		
MS6-LRP-1/2-...-AD7/AD8/AD9/AD10	G1/2		

Note: This product conforms to ISO 1179-1 and ISO 228-1

Precision pressure regulators MS6-LRP, MS series



Technical data

Dimensions – Rotary knob

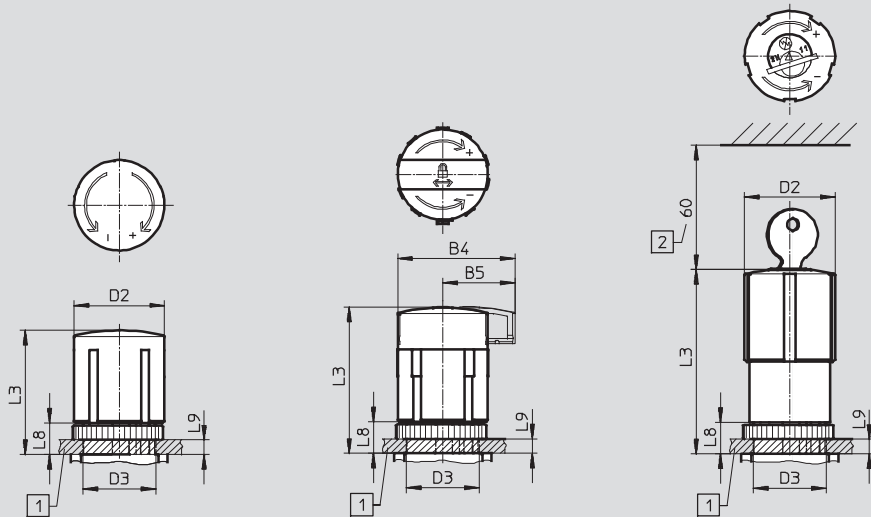
Download CAD Data → www.festo.com/us/cad

For installation into control panel

Standard rotary knob with detent

Standard rotary knob with detent,
lockable via accessories AS

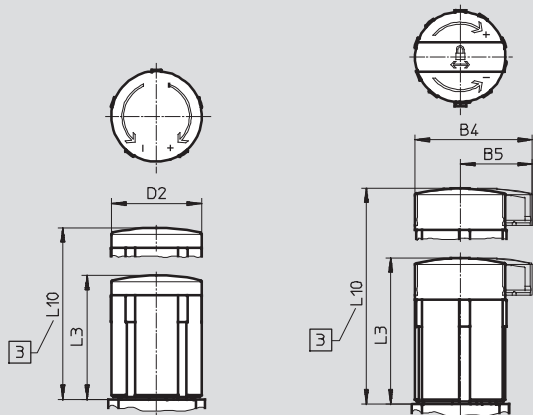
Rotary knob with integrated lock
E11



- 1 Max. control panel thickness
- 2 Installation dimensions

Long rotary knob with detent LD

Long rotary knob with detent,
lockable via accessories LD-AS



- 3 For pressure adjustment: pull out telescopic rotary knob fully

Type	B4	B5	D2	D3 +1	L3	L8	L9	L10
MS6-LRP-...	-	-	51	44	86	22	14	-
MS6-LRP-...-AS	64.4	39	51.8		95.5			
MS6-LRP-...-E11	-	-	-		112.1			
MS6-LRP-...-LD	-	-	51	-	86	-	-	139
MS6-LRP-...-LD-AS	64.4	39	-	-	95.5	-	-	148.5

Precision pressure regulators MS6-LRP, MS series

Technical data

Ordering data			
Adapter plate for EN pressure gauge 1/8, standard rotary knob with detent			
Size	Connection	Part No.	Type
Pressure regulation range 0.05 ... 0.7 bar, manually operated			
MS6	G1/4	538004	MS6-LRP-1/4-D2-A8 ¹⁾
	G3/8	538012	MS6-LRP-3/8-D2-A8 ¹⁾
	G1/2	538020	MS6-LRP-1/2-D2-A8 ¹⁾
Pressure regulation range 0.05 ... 2.5 bar, manually operated			
MS6	G1/4	538006	MS6-LRP-1/4-D4-A8 ¹⁾
	G3/8	538014	MS6-LRP-3/8-D4-A8 ¹⁾
	G1/2	538022	MS6-LRP-1/2-D4-A8 ¹⁾
Pressure regulation range 0.1 ... 4 bar, manually operated			
MS6	G1/4	538008	MS6-LRP-1/4-D5-A8 ¹⁾
	G3/8	538016	MS6-LRP-3/8-D5-A8 ¹⁾
	G1/2	538024	MS6-LRP-1/2-D5-A8 ¹⁾
Pressure regulation range 0.1 ... 12 bar, manually operated			
MS6	G1/4	538010	MS6-LRP-1/4-D7-A8 ¹⁾
	G3/8	538018	MS6-LRP-3/8-D7-A8 ¹⁾
	G1/2	538026	MS6-LRP-1/2-D7-A8 ¹⁾

1) Free of copper and PTFE

Precision pressure regulators MS6-LRP, MS series

Ordering data – Modular products

M Mandatory data →

Module No.	Series	Size	Function	Connection size	Pressure regulation range/operation	Pressure gauge alternatives
538028	MS	6	LRP	1/4, 3/8, 1/2, AGB, AGC, AGD, AGE	D2 D4 D5 D7 PO	VS A8 A8M A4 AD1 ... AD4, AD7 ... AD10
Order example						
538028	MS	6	- LRP	- 1/2	- D4	- A4

Ordering table		Grid dimension [mm]	62	Conditions	Code	Enter code
M	Module No.	538028				
	Series	Standard			MS	MS
	Size	6			6	6
	Function	Precision pressure regulator			-LRP	-LRP
	Connection size	Thread G1/4			- 1/4	
		Thread G3/8			-3/8	
		Thread G1/2			- 1/2	
		Connecting plate G1/4			-AGB	
		Connecting plate G3/8			-AGC	
		Connecting plate G1/2			-AGD	
		Connecting plate G3/4			-AGE	
	Pressure regulation range/operation	0.05 ... 0.7 bar, manually operated			-D2	
		0.05 ... 2.5 bar, manually operated			-D4	
		0.1 ... 4 bar, manually operated			-D5	
		0.1 ... 12 bar, manually operated			-D7	
		0.1 ... 12 bar, pneumatically actuated (pressure range determined by means of pilot regulator)		[1]	-PO	
	Pressure gauge alternatives	Cover plate			-VS	
		Adapter plate for EN pressure gauge 1/8, without pressure gauge			-A8	
		Adapter plate for EN pressure gauge 1/8, with precision pressure gauge			-A8M	
		Adapter plate for EN pressure gauge 1/4, without pressure gauge			-A4	
		Pressure sensor with display, plug M8, 1 switching output PNP, 3-pin		[2]	-AD1	
		Pressure sensor with display, plug M8, 1 switching output NPN, 3-pin		[2]	-AD2	
		Pressure sensor with display, plug M12, 1 switching output PNP, 4-pin, analogue output 4 ... 20 mA		[2]	-AD3	
		Pressure sensor with display, plug M12, 1 switching output NPN, 4-pin, analogue output 4 ... 20 mA		[2]	-AD4	
		Pressure sensor without display, plug M8, threshold value comparator, PNP, N/O contact		[3]	-AD7	
		Pressure sensor without display, plug M8, threshold value comparator, PNP, N/C contact		[3]	-AD8	
		Pressure sensor without display, plug M8, window comparator, PNP, N/O contact		[3]	-AD9	
		Pressure sensor without display, plug M8, window comparator, PNP, N/C contact		[3]	-AD10	

[1] PO Not with rotary knob alternative LD
Not with security AS, E11
Not with mounting type WR

[2] AD1 ... AD4 Measuring range max. 10 bar.
Not with pressure regulation range/operation D2, D4

[3] AD7 ... AD10 Measuring range max. 10 bar.
Not with pressure regulation range/operation D2

Transfer order code

538028	MS	6	-	LRP	-		-		-	
--------	----	---	---	-----	---	--	---	--	---	--

Precision pressure regulators MS6-LRP, MS series

Ordering data – Modular products

→ **0 Options**

Rotary knob alternative	Alternative mounting position	Security	Type of mounting	Alternative flow direction
LD	KD	AS E11	WR WP WPM WB	Z
- LD	-	- AS	- WB	- Z

Ordering table					
Grid dimension	[mm]	62	Condition	Code	Enter code
0	Rotary knob alternative	Long rotary knob	4	-LD	
	Alternative mounting position	Rotary knob underneath	5	-KD	
	Security	Lockable via accessories		-AS	
		With integrated lock		-E11	
	Type of mounting	Mounting bracket with knurled nut for regulator head	6	-WR	
		Mounting bracket	7	-WP	
		Mounting bracket	7	-WPM	
		Mounting bracket		-WB	
	Alternative flow direction	Flow direction from right to left (without pressure output, no pressure gauge)		-Z	

4 LD Not with integrated lock E11
 5 KD Not with mounting type WP

6 WR Not with rotary knob alternative LD
 7 WP, WPM Only with connecting plate AGB, AGC, AGD or AGE

Transfer order code

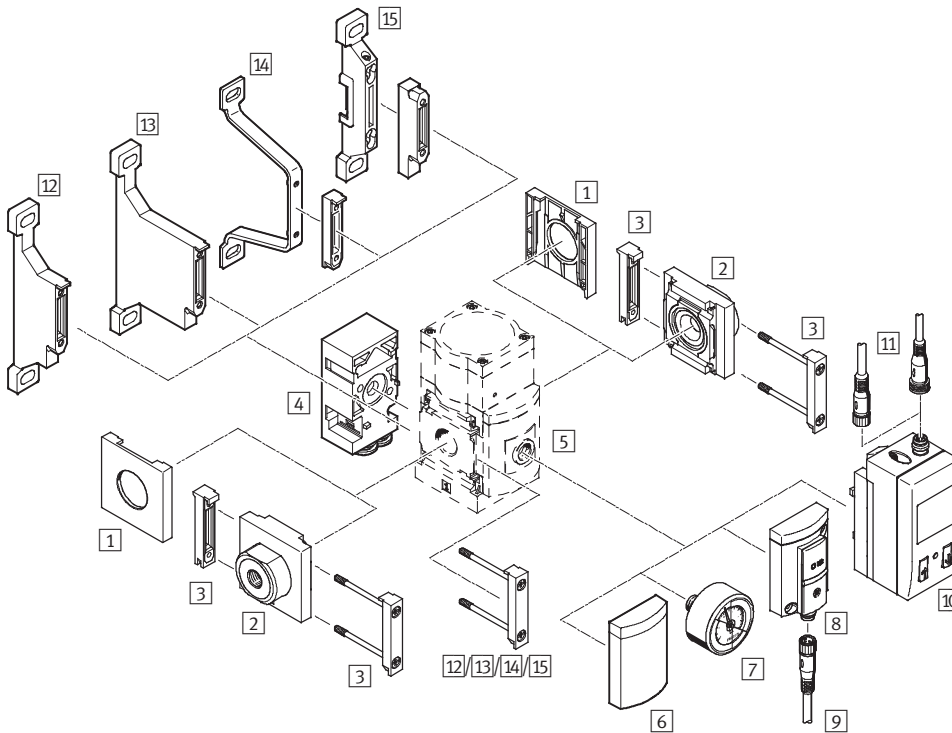
- - - - -

Precision pressure regulators MS6-LRPB, MS series

Peripherals overview



Precision pressure regulator MS6-LRPB with pressure output to the rear



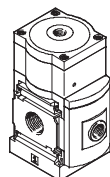
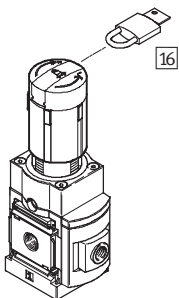
Note

Additional accessories:

- Module connector for combination with size MS4/MS6 or size MS9 → Internet: amv, rmv, armv
- Adapter plate for mounting on profiles → Internet: ipm-80, ipm-40-80, ipm-80-80

Manually operated

Pneumatically actuated



Precision pressure regulators MS6-LRPB, MS series

Peripherals overview

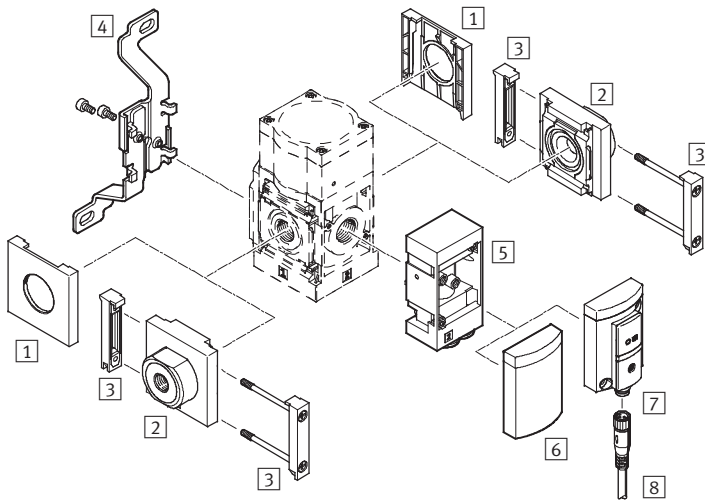
Mounting attachments and accessories						
		Individual device		Combination		→ Page/Internet
		Without connecting plate	With connecting plate	Without connecting plate	With connecting plate	
1	Cover cap MS6-END	■	-	■	-	ms6-end
2	Connecting plate MS6-AG...	-	■	-	■	ms6-ag
3	Module connector MS6-MV	-	■	■	■	ms6-mv
4	Angled outlet block B...	■	■	■	■	64
5	Adapter plate for EN pressure gauge 1/8/1/4 A8/A4	■	■	■	■	64
6	Cover plate VS	■	■	■	■	64
7	Precision pressure gauge A8M/MAP	■	■	■	■	64, 98
8	Pressure sensor without display AD7 ... AD10	■	■	■	■	64
9	Connecting cable NEBU-M8...-LE3	■	■	■	■	98
10	Pressure sensor with display AD1 ... AD4	■	■	■	■	64
11	Connecting cable NEBU-M8...-LE3/NEBU-M12...-LE4	■	■	■	■	98
12	Mounting bracket MS6-WP	-	■	■	■	ms6-wp
13	Mounting bracket MS6-WPB	-	■	■	■	ms6-wp
14	Mounting bracket MS6-WPE	-	■	■	■	ms6-wp
15	Mounting bracket MS6-WPM	-	■	■	■	ms6-wp
16	Padlock LRVS-D	■	■	■	■	98

Precision pressure regulators MS6-LRPB, MS series

Peripherals overview

FESTO

Precision pressure regulator MS6-LRPB with pressure output to the front



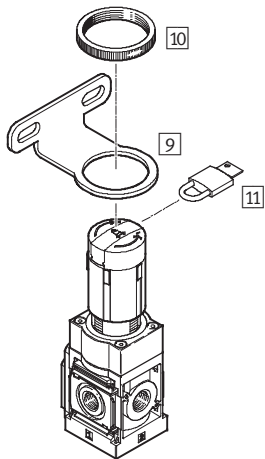
Note

Additional accessories:

- Module connector for combination with size MS4/MS6 or size MS9 → Internet: amv, rmv, armv
- Adapter plate for mounting on profiles → Internet: ipm-80, ipm-40-80, ipm-80-80

Manually operated

Pneumatically actuated



Precision pressure regulators MS6-LRPB, MS series

Peripherals overview

Mounting attachments and accessories						
		Individual device		Combination		→ Page/Internet
		Without connecting plate	With connecting plate	Without connecting plate	With connecting plate	
1	Cover cap MS6-END	■	-	■	-	ms6-end
2	Connecting plate MS6-AG...	-	■	-	■	ms6-ag
3	Module connector MS6-MV	-	■	■	■	ms6-mv
4	Mounting bracket MS6-WB	■	■	-	-	ms6-wb
5	Angled outlet block B...	■	■	■	■	64
6	Cover plate VS	■	■	■	■	64
7	Pressure sensor without display AD7 ... AD10	■	■	■	■	64
8	Connecting cable NEBU-M8...-LE3	■	■	■	■	98
9	Mounting bracket MS6-WR	■	■	-	-	ms6-wr
10	Knurled nut (included in scope of delivery) MS-LR	■	■	-	-	-
11	Padlock LRVS-D	■	■	■	■	98

Precision pressure regulators MS6-LRPB, MS series

Type codes

		MS	6	-	LRPB	-	1/2	-	D7	-	A8	-	BD
Series													
MS	Standard service unit												
Size													
6	Grid dimension 62 mm												
Service function													
LRPB	Precision pressure regulator for manifold assembly												
Connection size													
1/2	G1/2 thread												
Pressure regulation range/operation													
D2	0.05 ... 0.7 bar, manually operated												
D4	0.05 ... 2.5 bar, manually operated												
D5	0.1 ... 4 bar, manually operated												
D7	0.1 ... 12 bar, manually operated												
Pressure gauge alternatives													
A8	Adapter plate for EN pressure gauge 1/8, without pressure gauge												
Pressure output													
	Without angled outlet block												
BD	Angled outlet block QS-8												
BE	Angled outlet block QS-10												

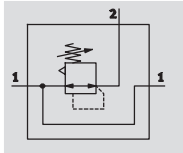
Further variants can be ordered using the modular system → 64

- Connecting plates
- Pressure regulation range/operation
- Pressure gauge alternatives
- Rotary knob alternatives
- Alternative mounting position
- Security
- Type of mounting
- Alternative flow direction

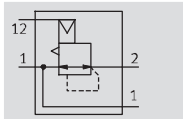
Precision pressure regulators MS6-LRPB, MS series

Technical data

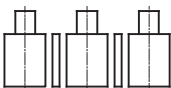
Pressure regulation range/operation manually operated D2/D4/D5/D7



pneumatically actuated PO



Precision pressure regulator for manifold assembly:



The precision pressure regulator is suitable for sensitive applications requiring a hysteresis of 0.02 bar. The output pressure p2 can be set within

Flow rate
1,600 ... 5,000 l/min
Temperature range
-10 ... +60 °C
Pressure
1 ... 14 bar
www.festo.com/en/Spare_parts_service



the pressure regulation range either manually using the rotary knob or pneumatically via a pilot pressure p12 by an external pilot regulator (if possible using a precision pressure regulator). When switching off the input pressure p1, the output pressure p2 is vented via connection 3 (secondary venting).

- Good regulation characteristics with low hysteresis and primary pressure compensation
- Manifold assembly with through air supply
- For configuring a regulator manifold with independent pressure regulation ranges
- Regulator lock for protecting the values against adjustment
- Four pressure regulation ranges: 0.05 ... 0.7 bar, 0.05 ... 2.5 bar, 0.1 ... 4 bar and 0.1 ... 12 bar
- Optional pressure sensor

General technical data		MS6
Size		MS6
Pneumatic connection 1		G½
Pneumatic connection 2		G½ QS-8 with angled outlet block BD QS-10 with angled outlet block BE
Pneumatic connection 3		G¼
Pilot air connection 12 with variant PO		G⅜
Constructional design		Piloted precision diaphragm regulator with through pressure supply
Regulating function		Output pressure constant, via secondary venting
Type of mounting		Via accessories In-line installation Front panel mounting
Mounting position		Any
Regulator lock		Rotary knob with detent Rotary knob with detent, lockable via accessories Rotary knob with integrated lock
Pressure regulation range/operation ¹⁾	D2 [bar]	0.05 ... 0.7, manually operated
	D4 [bar]	0.05 ... 2.5, manually operated
	D5 [bar]	0.1 ... 4, manually operated
	D7 [bar]	0.1 ... 12, manually operated (0.1 ... 10 with pressure sensor variant AD...)
	PO [bar]	0.1 ... 12, pneumatically actuated (0.1 ... 10 with pressure sensor variant AD...)
Max. hysteresis [bar]		0.02
Pressure indication		Via pressure sensor for displaying output pressure via LCD display and electrical output Via pressure sensor for displaying output pressure via operational status indicator and electrical output Via pressure gauge for displaying output pressure G⅜ prepared G¼ prepared

1) Variant D2/D4/D5/D7: Supply pressure p1 ≥ output pressure p2 + 1 bar. Variant PO: Output pressure p2 = pilot pressure p12 + max. 0.5 bar.

Note: This product conforms to ISO 1179-1 and ISO 228-1

Precision pressure regulators MS6-LRPB, MS series

FESTO

Technical data

Flow rates				
Pressure regulation range	D2 (0.05 ... 0.7 bar)	D4 (0.05 ... 2.5 bar)	D5 (0.1 ... 4 bar)	D7/PO (0.1 ... 12 bar)
Standard nominal flow rate q_{nN} [l/min]				
$q_{nN} 1 \rightarrow 2$	G $\frac{1}{2}$	1,600 ¹⁾	2,300 ²⁾	3,000 ³⁾
Secondary venting flow rate [l/min]				
$q_n 2 \rightarrow 3$	≥ 220 ⁵⁾	≥ 450 ⁶⁾	≥ 650 ⁷⁾	≥ 900 ⁸⁾

- 1) Measured at $p_1 = 10$ bar and $p_2 = 0.5$ bar, $\Delta p = 0.1$ bar
 2) Measured at $p_1 = 10$ bar and $p_2 = 1.5$ bar, $\Delta p = 0.1$ bar
 3) Measured at $p_1 = 10$ bar and $p_2 = 2.5$ bar, $\Delta p = 0.1$ bar
 4) Measured at $p_1 = 10$ bar and $p_2 = 6.0$ bar, $\Delta p = 0.1$ bar

- 5) Measured at $p_1 = 10$ bar and $p_2 = 0.7$ bar, $\Delta p_2 = 0.1$ bar
 6) Measured at $p_1 = 10$ bar and $p_2 = 2.5$ bar, $\Delta p_2 = 0.1$ bar
 7) Measured at $p_1 = 10$ bar and $p_2 = 4.0$ bar, $\Delta p_2 = 0.1$ bar
 8) Measured at $p_1 = 10$ bar and $p_2 = 6.0$ bar, $\Delta p_2 = 0.1$ bar

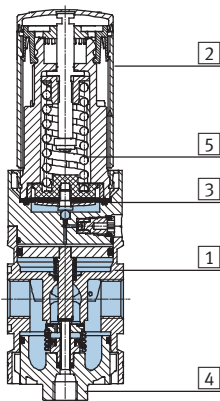
Operating and environmental conditions		
Variant	Standard	Pressure sensor AD...
Operating pressure [bar]	1 ... 14	1 ... 14
Operating medium	Compressed air in accordance with ISO 8573-1:2010 [7:4:4] Inert gases	
Note on operating/pilot medium	Operation with lubricated medium not possible	
Ambient temperature [°C]	-10 ... +60	0 ... +50
Temperature of medium [°C]	-10 ... +60	0 ... +50
Storage temperature [°C]	-10 ... +60	-10 ... +60
Corrosion resistance class CRC ¹⁾	2	

- 1) Corrosion resistance class 2 as per Festo standard 940 070
 Components subject to moderate corrosion stress. Externally visible parts with primarily decorative surface requirements which are in direct contact with a normal industrial environment or media such as coolants or lubricating agents.

Weight [g]	
Precision pressure regulator	1,000
Precision pressure regulator with rotary knob with integrated lock E11	1,120

Materials

Sectional view



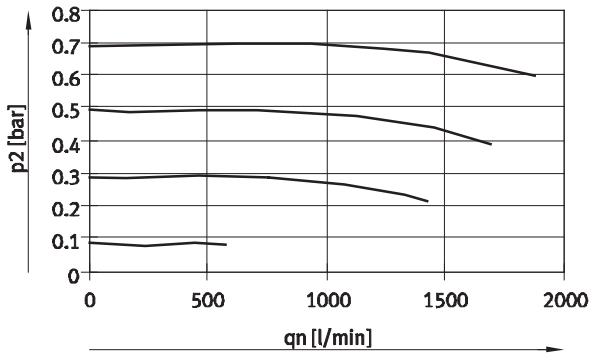
Precision pressure regulator (manifold assembly)		
1	Housing	Die-cast aluminium
2	Rotary knob	PA/POM
	Rotary knob with integrated lock E11	Aluminium
3	Diaphragm	NBR
4	Cap, bottom	PC
5	Springs	Steel
-	Seals	NBR
Note on materials		RoHS-compliant Free of copper and PTFE (not with variant A8M or AD...)

Precision pressure regulators MS6-LRPB, MS series

Technical data

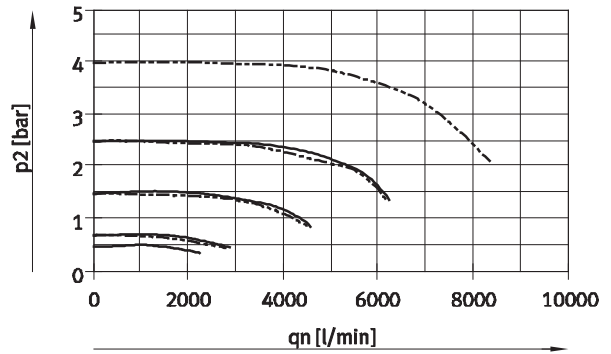
Standard flow rate q_n as a function of output pressure p_2 ($p_1 = 10$ bar)

MS6-LRPB-1/2-D2



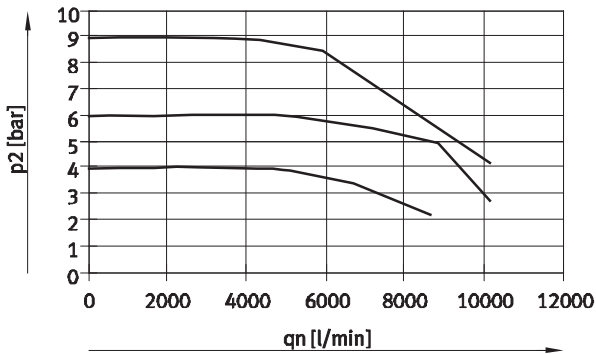
— D2: 0.05...0.7 bar

MS6-LRPB-1/2-D4/D5



— D4: 0.05...2.5 bar
 - - - D5: 0.1...4 bar

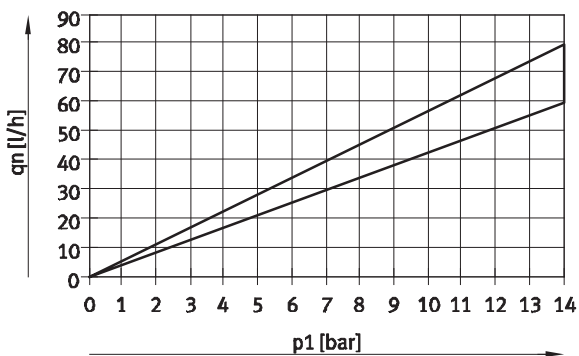
MS6-LRPB-1/2-D7/PO



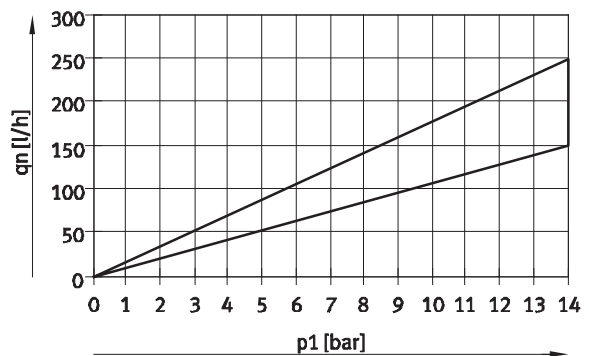
— D7/PO: 0.1...12 bar

Internal air consumption q_n as a function of input pressure p_1

MS6-LRPB-...-D2/D4



MS6-LRPB-...-D5/D7/PO



Precision pressure regulators MS6-LRPB, MS series

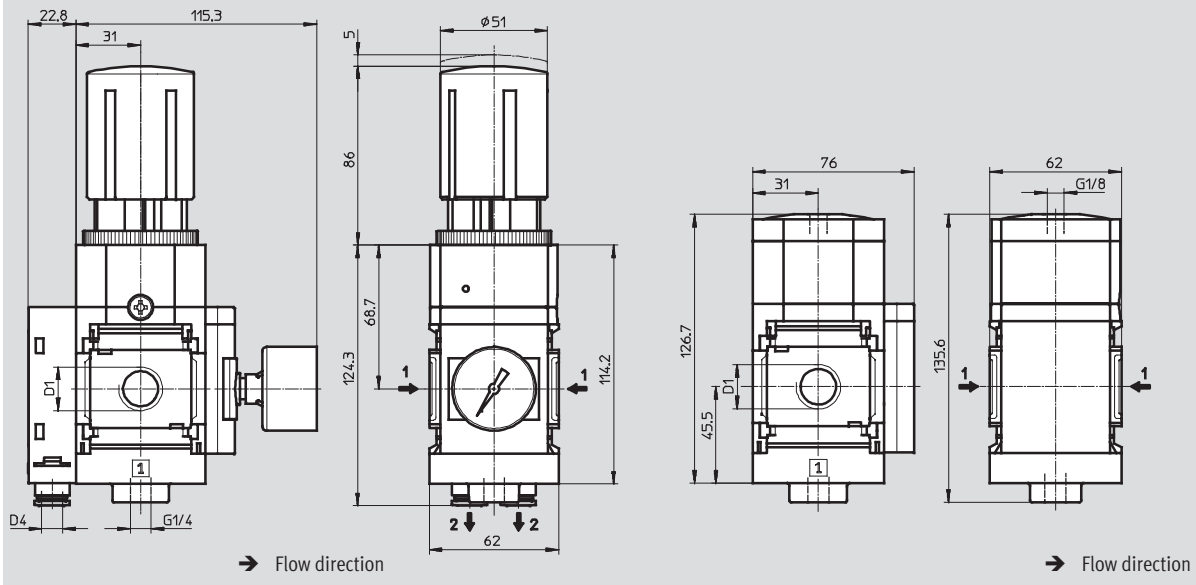
Technical data

Dimensions

Download CAD Data → www.festo.com/us/cad

manually operated D2/D4/D5/D7,
with adapter plate A8M for EN pressure gauge 1/8 as pressure gauge alternative,
with precision pressure gauge MAP, with angled outlet block BD/BE

pneumatically actuated PO,
with cover plate VS as pressure gauge alternative



Type	D1	D4
MS6-LRPB-1/2-D2/D4/D5/D7-A8M-BD	G1/2	QS-8
MS6-LRPB-1/2-D2/D4/D5/D7-A8M-BE		QS-10

Type	D1
MS6-LRPB-1/2-PO-VS	G1/2

Note: This product conforms to ISO 1179-1 and ISO 228-1

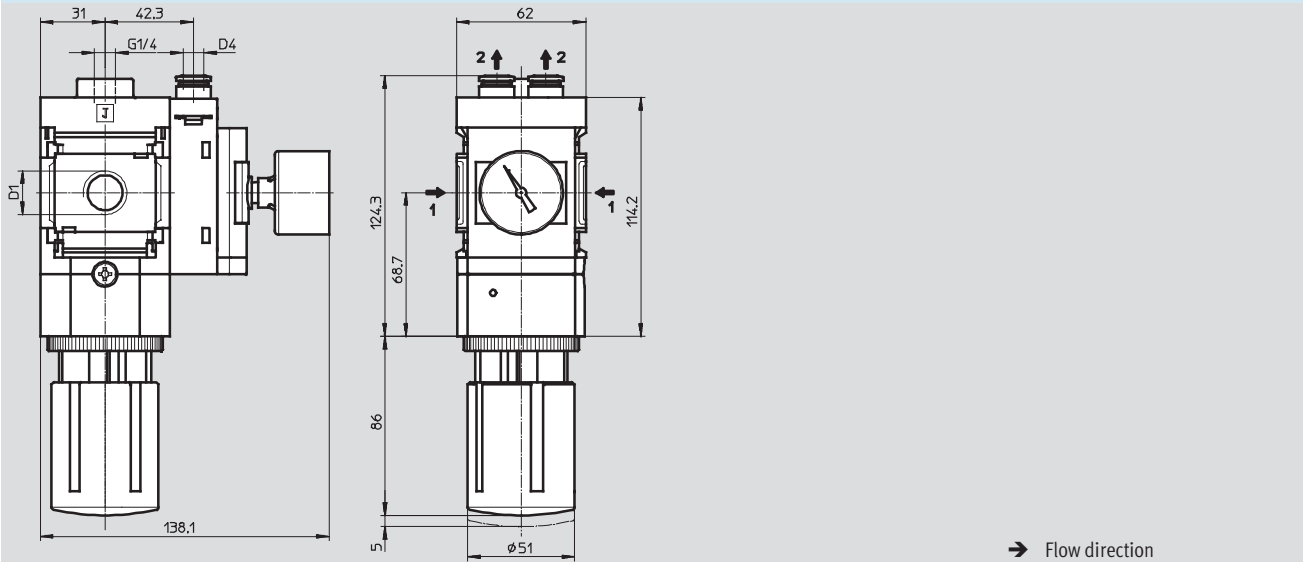
Precision pressure regulators MS6-LRPB, MS series

Technical data

Dimensions – Alternative mounting position

Download CAD Data → www.festo.com/us/cad

Rotary knob underneath KD, angled outlet block BD/BE



Type	D1	D4
MS6-LRPB-1/2-...-KD-BD	G1/2	QS-8
MS6-LRPB-1/2-...-KD-BE		QS-10

Note: This product conforms to ISO 1179-1 and ISO 228-1

Precision pressure regulators MS6-LRPB, MS series

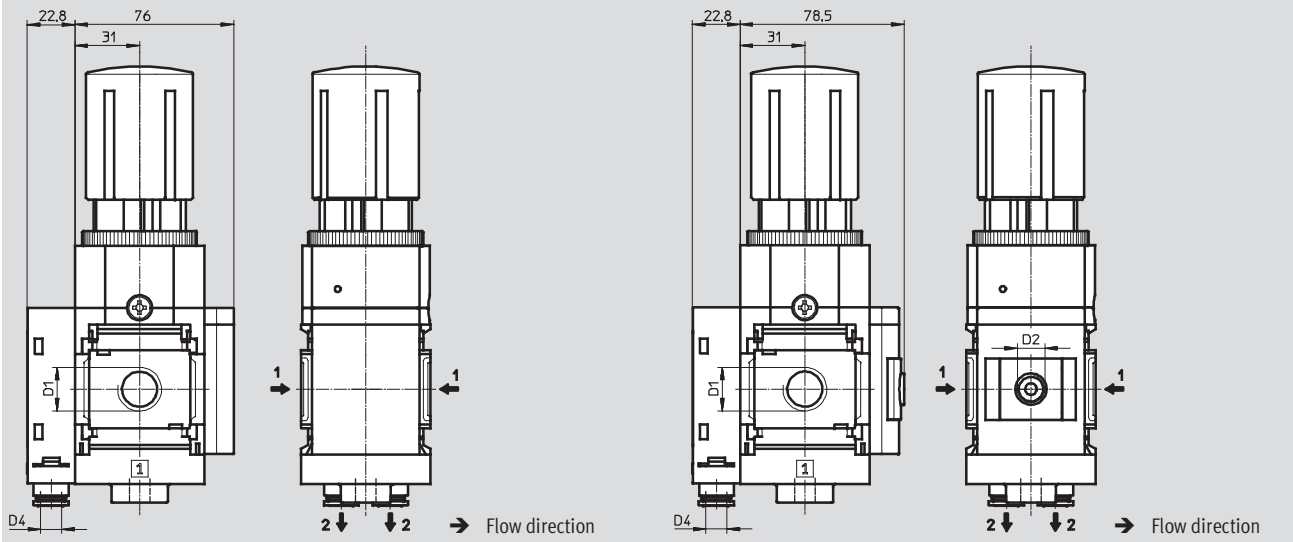
Technical data

Dimensions – Pressure gauge alternatives

Download CAD Data → www.festo.com/us/cad

Cover plate VS, angled outlet block BD/BE

Adapter plate A8/A4 for EN pressure gauge 1/8/1/4, without pressure gauge, angled outlet block BD/BE



Type	D1	D2	D4
MS6-LRPB-1/2-...-VS-BD	G1/2	-	QS-8
MS6-LRPB-1/2-...-VS-BE			QS-10
MS6-LRPB-1/2-...-A8-BD	G1/2	G1/8	QS-8
MS6-LRPB-1/2-...-A8-BE			QS-10
MS6-LRPB-1/2-...-A4-BD	G1/2	G1/4	QS-8
MS6-LRPB-1/2-...-A4-BE			QS-10

Note: This product conforms to ISO 1179-1 and ISO 228-1

Precision pressure regulators MS6-LRPB, MS series



Technical data

Dimensions – Pressure gauge alternatives Download CAD Data → www.festo.com/us/cad

Pressure sensor with LCD display AD1 ... AD4, angled outlet block BD/BE Technical data → Internet: [sde1](#)

Variant AD1:
SDE1-D10-G2-MS-L-P1-M8 with 3-pin plug M8x1, 1 switching output PNP

Variant AD2:
SDE1-D10-G2-MS-L-N1-M8 with 3-pin plug M8x1, 1 switching output NPN

Variant AD3:
SDE1-D10-G2-MS-L-PI-M12 with 4-pin plug M12x1, 1 switching output PNP and 4 ... 20 mA analogue

Variant AD4:
SDE1-D10-G2-MS-L-NI-M12 with 4-pin plug M12x1, 1 switching output NPN and 4 ... 20 mA analogue

Pressure sensor without LCD display (operational status indicator only) AD7 ... AD10, angled outlet block BD/BE Technical data → Internet: [sde5](#)

Variant AD7:
SDE5-D10-O-...-P-M8 with 3-pin plug M8x1, threshold value comparator, 1 switching output PNP, N/O contact

Variant AD8:
SDE5-D10-C-...-P-M8 with 3-pin plug M8x1, threshold value comparator, 1 switching output PNP, N/C contact

Variant AD9:
SDE5-D10-O3-...-P-M8 with 3-pin plug M8x1, window comparator, 1 switching output PNP, N/O contact

Variant AD10:
SDE5-D10-C3-...-P-M8 with 3-pin plug M8x1, window comparator, 1 switching output PNP, N/C contact

Type	D1	D3	D4	L1
MS6-LRPB-1/2-...-AD1/AD2-BD	G $\frac{1}{2}$	M8x1	QS-8	46.7
MS6-LRPB-1/2-...-AD1/AD2-BE			QS-10	
MS6-LRPB-1/2-...-AD3/AD4-BD	G $\frac{1}{2}$	M12x1	QS-8	55.8
MS6-LRPB-1/2-...-AD3/AD4-BE			QS-10	
MS6-LRPB-1/2-...-AD7/AD8/AD9/AD10-BD	G $\frac{1}{2}$	M8x1	QS-8	-
MS6-LRPB-1/2-...-AD7/AD8/AD9/AD10-BE			QS-10	

Note: This product conforms to ISO 1179-1 and ISO 228-1

Precision pressure regulators MS6-LRPB, MS series



Technical data

Dimensions – Rotary knob Download CAD Data → www.festo.com/us/cad

For installation into control panel

<p>Standard rotary knob with detent</p>	<p>Standard rotary knob with detent, lockable via accessories AS</p>	<p>Rotary knob with integrated lock E11</p>
---	--	---

1 Max. control panel thickness
2 Installation dimensions

<p>Long rotary knob with detent LD</p>	<p>Long rotary knob with detent, lockable via accessories LD-AS</p>
--	---

3 For pressure adjustment: pull out telescopic rotary knob fully

Type	B4	B5	D2	D3 +1	L3	L8	L9	L10
MS6-LRPB-...	-	-	51	44	86	22	14	-
MS6-LRPB-...-AS	64.4	39	51.8		95.5			
MS6-LRPB-...-E11	-	-	51		112.1			
MS6-LRPB-...-LD	-	-	51	-	86	-	-	139
MS6-LRPB-...-LD-AS	64.4	39	51	95.5	148.5			

Precision pressure regulators MS6-LRPB, MS series

Technical data

Ordering data			
Adapter plate A8 for EN pressure gauge 1/8, standard rotary knob with detent			
Size	Connection	Pressure output to rear without angled outlet block	
		Part No.	Type
Pressure regulation range 0.05 ... 0.7 bar, manually operated			
MS6	G1/2	534911	MS6-LRPB-1/2-D2-A8 ¹⁾
Pressure regulation range 0.05 ... 2.5 bar, manually operated			
MS6	G1/2	534914	MS6-LRPB-1/2-D4-A8 ¹⁾
Pressure regulation range 0.1 ... 4 bar, manually operated			
MS6	G1/2	534917	MS6-LRPB-1/2-D5-A8 ¹⁾
Pressure regulation range 0.1 ... 12 bar, manually operated			
MS6	G1/2	534920	MS6-LRPB-1/2-D7-A8 ¹⁾

1) Free of copper and PTFE

Ordering data					
Adapter plate A8 for EN pressure gauge 1/8, standard rotary knob with detent					
Size	Connection	Pressure output to rear with angled outlet block QS-8		Pressure output to rear with angled outlet block QS-10	
		Part No.	Type	Part No.	Type
Pressure regulation range 0.05 ... 0.7 bar, manually operated					
MS6	G1/2	534865	MS6-LRPB-1/2-D2-A8-BD ¹⁾	534913	MS6-LRPB-1/2-D2-A8-BE ¹⁾
Pressure regulation range 0.05 ... 2.5 bar, manually operated					
MS6	G1/2	534868	MS6-LRPB-1/2-D4-A8-BD ¹⁾	534916	MS6-LRPB-1/2-D4-A8-BE ¹⁾
Pressure regulation range 0.1 ... 4 bar, manually operated					
MS6	G1/2	534871	MS6-LRPB-1/2-D5-A8-BD ¹⁾	534919	MS6-LRPB-1/2-D5-A8-BE ¹⁾
Pressure regulation range 0.1 ... 12 bar, manually operated					
MS6	G1/2	534874	MS6-LRPB-1/2-D7-A8-BD ¹⁾	534922	MS6-LRPB-1/2-D7-A8-BE ¹⁾

1) Free of copper and PTFE

Precision pressure regulators MS6-LRPB, MS series

Ordering data – Modular products

M Mandatory data →						
Module No.	Series	Size	Function	Connection size	Pressure regulation range/operation	Pressure gauge alternatives
535007	MS	6	LRPB	1/2, AGB, AGC, AGD, AGE	D2 D4 D5 D7 PO	VS A8 A8M A4 AD1 ... AD4 AD7 ... AD10
Order example						
535007	MS	6	- LRPB	- AGD	- D5	- VS

Ordering table			
Grid dimension	[mm]	62	Condition s
M	Module No.	535007	
	Series	Standard	MS
	Size	6	6
	Function	Precision pressure regulator for manifold assembly	-LRPB
	Connection size	Thread G1/2	- 1/2
		Connecting plate G1/4	-AGB
		Connecting plate G3/8	-AGC
		Connecting plate G1/2	-AGD
		Connecting plate G3/4	-AGE
	Pressure regulation range/operation	0.05 ... 0.7 bar, manually operated	-D2
		0.05 ... 2.5 bar, manually operated	-D4
		0.1 ... 4 bar, manually operated	-D5
		0.1 ... 12 bar, manually operated	-D7
		0.1 ... 12 bar, pneumatically actuated (pressure range determined by means of pilot regulator)	1 -PO
	Pressure gauge alternatives	Cover plate	2 -VS
		Adapter plate for EN pressure gauge 1/8, without pressure gauge	3 -A8
		Adapter plate for EN pressure gauge 1/8, with precision pressure gauge	3 -A8M
		Adapter plate for EN pressure gauge 1/4, without pressure gauge	3 -A4
		Pressure sensor with display, plug M8, 1 switching output PNP, 3-pin	3 4 -AD1
		Pressure sensor with display, plug M8, 1 switching output NPN, 3-pin	3 4 -AD2
		Pressure sensor with display, plug M12, 1 switching output PNP, 4-pin, analogue output 4 ... 20 mA	3 4 -AD3
		Pressure sensor with display, plug M12, 1 switching output NPN, 4-pin, analogue output 4 ... 20 mA	3 4 -AD4
		Pressure sensor without display, plug M8, threshold value comparator, PNP, N/O contact	4 5 -AD7
		Pressure sensor without display, plug M8, threshold value comparator, PNP, N/C contact	4 5 -AD8
		Pressure sensor without display, plug M8, window comparator, PNP, N/O contact	4 5 -AD9
		Pressure sensor without display, plug M8, window comparator, PNP, N/C contact	4 5 -AD10

- 1 PO Not with long rotary knob LD
Not with security AS, E11
Not with mounting type WR
- 2 VS Must be selected with alternative flow direction Z without alternative mounting position KD or without alternative pressure output BD, BE
Must be selected with alternative mounting position KD without alternative flow direction Z or without alternative pressure output BD, BE
- 3 A8, A8M, A4, AD1 ... AD4 In combination with alternative flow direction Z only with alternative mounting position KD
- 4 AD1 ... AD4, AD7 ... AD10 Measuring range max. 10 bar
Not with pressure regulation range/operation D2, D4
- 5 AD7 ... AD10 In combination with alternative flow direction Z only with alternative pressure output BD, BE or
In combination with alternative flow direction Z only with alternative mounting position KD

Transfer order code

535007	MS	6	-	LRPB	-		-		-	
--------	----	---	---	------	---	--	---	--	---	--

Precision pressure regulators MS6-LRPB, MS series

Ordering data – Modular products

→ **0 Options**

Rotary knob alternative	Alternative mounting position	Security	Alternative pressure output	Type of mounting	Alternative flow direction
LD	KD	AS E11	BD BE	WR WP WPM WPB WB	Z
- LD	-	- AS	- BE	- WB	- Z

Ordering table		Grid dimension [mm]	62	Condition s	Code	Enter code
0	Rotary knob alternative	Long rotary knob		6	-LD	
	Alternative mounting position	Rotary knob underneath		7	-KD	
	Security	Lockable via accessories			-AS	
		With integrated lock			-E11	
	Alternative pressure output (p max = 10 bar)	Angled outlet block QS-8			-BD	
		Angled outlet block QS-10			-BE	
	Type of mounting	Mounting bracket with knurled nut for regulator head		8 9	-WR	
		Mounting bracket		10 11	-WP	
		Mounting bracket		8 10	-WPM	
		Mounting bracket for large wall gap		10 12	-WPB	
		Mounting bracket		8	-WB	
	Alternative flow direction	Pressure output to front (without pressure output, no pressure gauge)			-Z	

- | | |
|---|--|
| <p>6 LD Not with integrated lock E11</p> <p>7 KD In combination with pressure gauge alternatives A8, A4, AD1 ... AD4, AD7 ... AD10 only with alternative flow direction Z</p> <p>8 WR, WB, WPM Only with alternative flow direction Z
Not with alternative mounting position KD</p> <p>9 WR Only with alternative flow direction Z
Not with long rotary knob LD</p> | <p>10 WP, WPM, WPB Only with connecting plate AGB, AGC, AGD or AGE</p> <p>11 WP Not with alternative mounting position KD
Either only with alternative flow direction Z or only with alternative pressure output BD, BE</p> <p>12 WPB Not with alternative mounting position KD
Not with alternative pressure output BD, BE
Not with alternative flow direction Z</p> |
|---|--|

Transfer order code

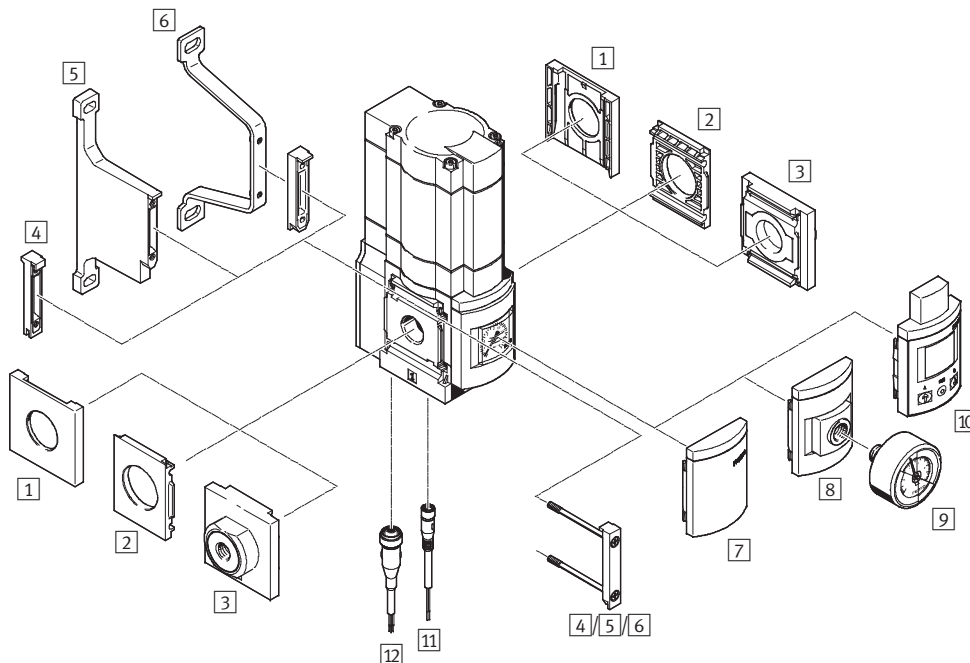
- [] - [] - [] - [] - [] - []

Electrical pressure regulators MS6-LRE, MS series

Peripherals overview



Electrical pressure regulators MS6-LRE



Note

Additional accessories:

- Module connector for combination with sizes MS4/MS6 or size MS9 → Internet: amv, rmv, armv
- Adapter plate for mounting on profiles → Internet: ipm-80, ipm-40-80, ipm-80-80

Mounting attachments and accessories

		Individual unit		Combination		→ Page/Internet
		Without connecting plate	With connecting plate	Without connecting plate	With connecting plate	
1	Cover cap MS6-END	-	-	■	-	ms6-end
2	Mounting plate MS6-AEND	■ ¹⁾	-	■ ²⁾	-	ms6-aend
3	Connecting plate MS6-AG...	-	■ ¹⁾	-	■ ²⁾	ms6-ag
4	Module connector MS6-MV	-	-	■	■	ms6-mv
5	Mounting bracket MS6-WPB	■	■	■	■	ms6-wpb
6	Mounting bracket MS6-WPE	■	■	■	■	ms6-wpe
7	Cover plate VS	■	■	■	■	74
8	Adapter plate for EN pressure gauge 1/4 A4	■	■	■	■	74
9	Pressure gauge MA	■	■	■	■	98
10	Control unit with display OP	■	■	■	■	74
11	Connecting cable NEBU-M8...-LE3	■	■	■	■	98
12	Connecting cable NEBU-M12...-LE5	■	■	■	■	98

1) Mounting bracket MS6-WPB/WPE is required for mounting.

2) Module connector MS6-MV or mounting bracket MS6-WPB/WPE is required for mounting.

Electrical pressure regulators MS6-LRE, MS series

Type codes

		MS	6	-	LRE	-	1/2	-	D7	-	PI
Series											
MS	Standard service unit										
Size											
6	Grid dimension 62 mm										
Service function											
LRE	Electrical pressure regulator										
Pneumatic connection											
1/4	Thread G1/4										
3/8	Thread G3/8										
1/2	Thread G1/2										
Pressure regulation range											
D6	Pressure regulation range 0.3 ... 7 bar										
D7	Pressure regulation range 0.5 ... 12 bar										
Electrically controlled pressure output (integrated pressure sensor with electrical output)											
	None										
PI	Plug, M8, 3-pin, I out										
PU	Plug, M8, 3-pin, V out										

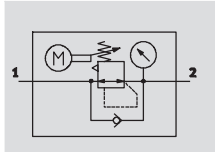
Further variants can be ordered using the modular system → 74

- Connecting plates
- Pressure regulation range
- Pressure gauge alternatives
- Alternative pressure gauge scale
- Secondary venting
- Sensor cables
- Supply cables
- Type of mounting
- Alternative flow direction

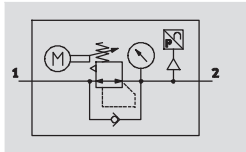
Electrical pressure regulators MS6-LRE, MS series

Technical data

with pressure gauge



with pressure gauge and integrated pressure sensor



Flow rate
2,200 ... 7,500 l/min
Temperature range
0 ... +50 °C
Pressure
0.8 ... 20 bar



Note

The electrical pressure regulator is not suitable for the set-up of closed control loops.

The electrical pressure regulator maintains incoming compressed air at the set output pressure. It also maintains a constant output pressure independent of pressure fluctuations and air consumption. The output pressure is set indirectly via an integrated electrical drive unit. The drive unit can be operated either with digital inputs via the M12 plug or

using the optional control and display unit. The direction of rotation of the drive unit is thus pre-set, which makes adjustment of the output pressure in the rising or falling direction possible. In the event of a power failure, the last drive unit or output pressure setting is saved. Pneumatic pressure regulation continues to function.

- Four pressure regulation ranges: 0.3 ... 4 bar, 0.3 ... 7 bar, 0.5 ... 12 bar and 0.5 ... 16 bar
- Optional control unit with display
- Optional integrated pressure sensor with electrical output
- Constant output pressure even in the event of a power failure thanks to the fail-safe function
- Available with or without secondary venting

General technical data		
Size	MS6	
Pneumatic connection 1, 2	G $\frac{1}{4}$	G $\frac{3}{8}$ G $\frac{1}{2}$
Design	Electrically adjustable pressure regulator	
Regulating function	Output pressure constant, with primary pressure compensation, with/without secondary venting	
Type of mounting	Via accessories In-line installation	
Assembly position	Any, preferably vertical	
Pressure regulation range	D5 [bar]	0.3 ... 4
	D6 [bar]	0.3 ... 7
	D7 [bar]	0.5 ... 12
	D8 [bar]	0.5 ... 16
Max. hysteresis [bar]	0.25	
Pressure indicator	With pressure gauge	
	With control unit	

Note: This product conforms to ISO 1179-1 and ISO 228-1

Electrical pressure regulators MS6-LRE, MS series

Technical data

Standard nominal flow rate $q_{nN}^{1)}$ [l/min]				
Pneumatic connection		G $\frac{1}{4}$	G $\frac{3}{8}$	G $\frac{1}{2}$
Pressure regulation range	D5	2,400 ²⁾	5,500 ²⁾	7,500 ²⁾
	D6	3,000	5,800	6,500
	D7	2,700	4,500	5,500
	D8	2,200	4,000	4,500

- 1) Measured at $p_1 = 10$ bar and $p_2 = 6$ bar, $\Delta p = 1$ bar
 2) Measured at $p_1 = 10$ bar and $p_2 = 3$ bar, $\Delta p = 1$ bar

Electrical data					
		Without integrated pressure sensor		With integrated pressure sensor	
				PI (I out)	PU (V out)
Analogue output	[V]	-		-	0 ... 10
	[mA]	-		4 ... 20	-
Analogue outputs, absolute accuracy at 25 °C	[%]	-		±3	±3
Cable interface	Inputs	Plug M12x1, 5-pin			
	Outputs	-		Plug M8x1, 3-pin	
Design of inputs	To IEC 61131-2, no electrical isolation				
Nominal operating voltage	[V DC]	24			
Permissible voltage fluctuations	[%]	±10			
Current consumption at 24 V DC	[A]	Max. 3.5			
Current consumption at nominal operating voltage	[A]	Max. 1			
Duration of actuation at 25°C	[s]	Max. 90 ¹⁾			
Protection against short circuit	For all electrical connections				
Protection class	IP65				

- 1) In order to prevent the drive from overheating, a control/pause ratio of 1:3 must be observed.

Operating and environmental conditions	
Operating pressure	[bar] 0.8 ... 20
Operating medium	Compressed air in accordance with ISO 8573-1:2010 [7:4:4]
Ambient temperature	[°C] 0 ... +50
Temperature of medium	[°C] 0 ... +50
Storage temperature	[°C] -10 ... +50
Corrosion resistance	CRC ¹⁾ 2
CE symbol (declaration of conformance)	In accordance with EU EMC Directive
Certification	C-Tick

- 1) Corrosion resistance class 2 according to Festo standard 940 070
 Components requiring moderate corrosion resistance. Externally visible parts with primarily decorative surface requirements which are in direct contact with a normal industrial environment or media such as coolants or lubricating agents.

Weights [g]	
Electrical pressure regulator	1,280

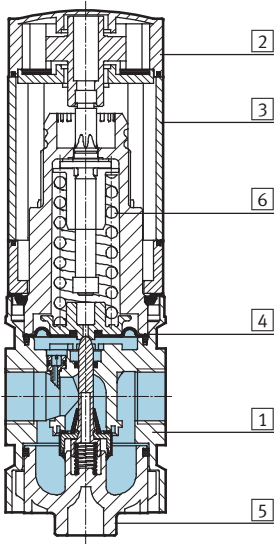
Electrical pressure regulators MS6-LRE, MS series

Technical data



Materials

Sectional view

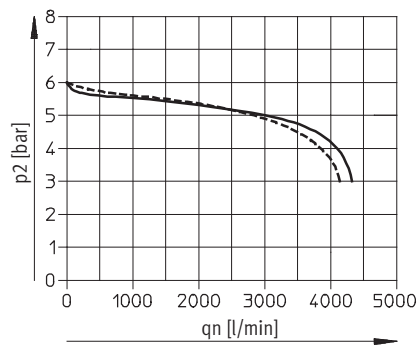


Electrical pressure regulator		
1	Body	Die-cast aluminium
2	Drive housing	Reinforced polyamide
3	Profile housing	Wrought aluminium alloy
4	Diaphragm	Nitrile rubber
5	Bottom cap	Polyester, fibreglass reinforced
6	Springs	Steel
-	Display and control unit	Polyamide
-	Seals	Nitrile rubber

Standard flow rate q_n as a function of output pressure p_2

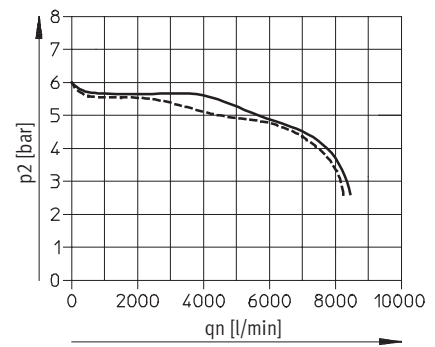
MS6-LRE-1/4

Input pressure $p_1 = 10$ bar



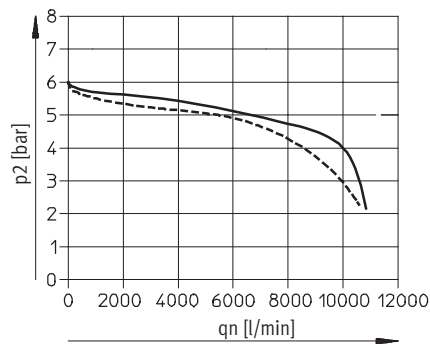
— D6: 0.3 ... 7 bar
 - - - D7: 0.5 ... 12 bar

MS6-LRE-3/8



MS6-LRE-1/2

Input pressure $p_1 = 10$ bar



— D6: 0.3 ... 7 bar
 - - - D7: 0.5 ... 12 bar

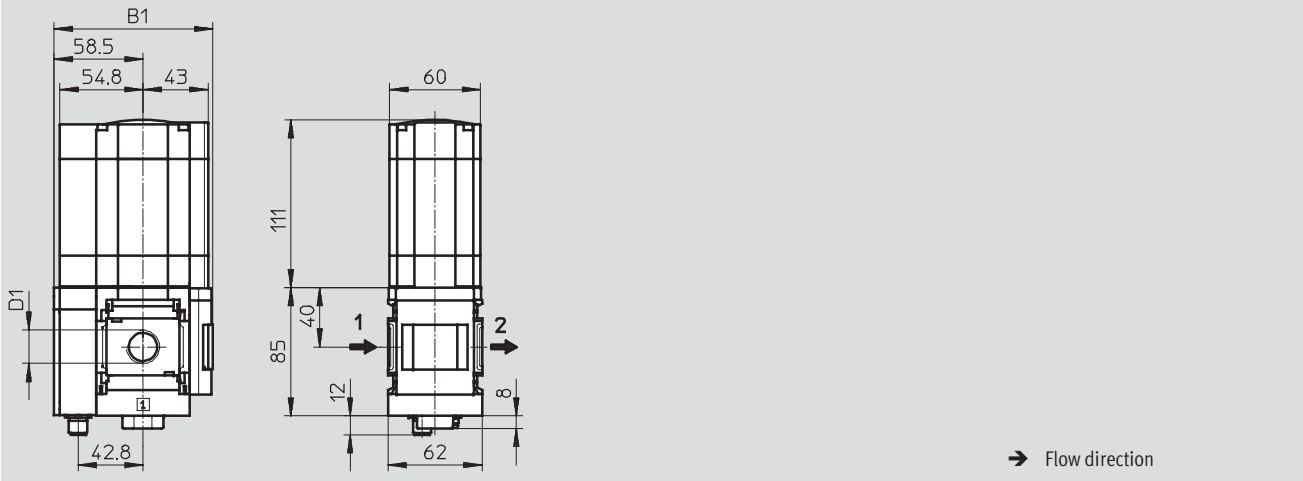
Electrical pressure regulators MS6-LRE, MS series

Technical data

Dimensions – Standard

Download CAD Data → www.festo.com/us/cad

With pressure gauge, display unit [bar]



Type	B1 Pressure gauge		D1
	Standard scale	Red-green scale	
MS6-LRE-1/4	104.5	106	G1/4
MS6-LRE-3/8			G3/8
MS6-LRE-1/2			G1/2

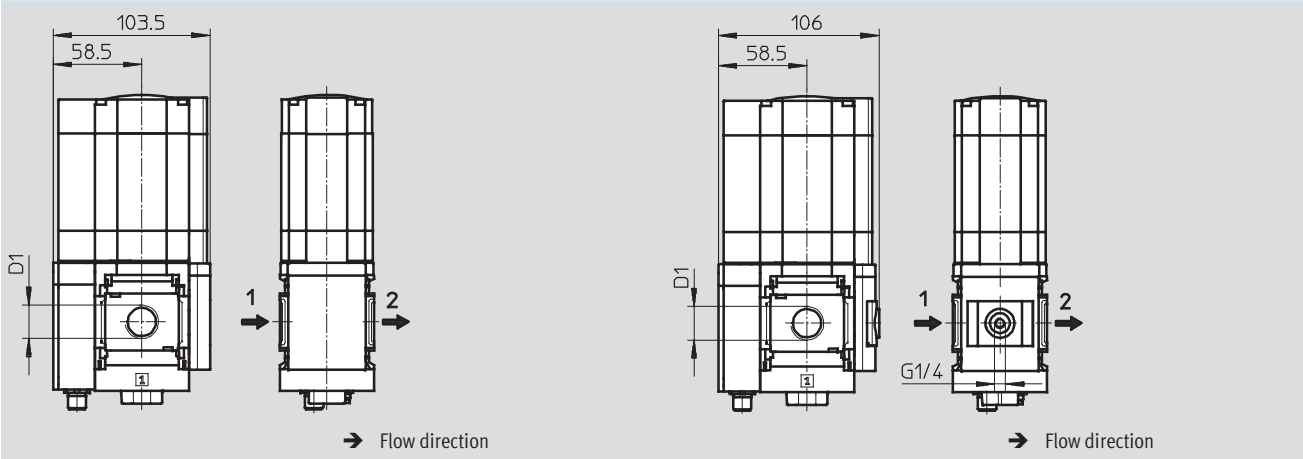
Note: This product conforms to ISO 1179-1 and ISO 228-1

Dimensions – Pressure gauge alternatives

Download CAD Data → www.festo.com/us/cad

Cover plate VS

Adapter plate A4 for EN pressure gauge 1/4, without pressure gauge



Type	D1
MS6-LRE-1/4	G1/4
MS6-LRE-3/8	G3/8
MS6-LRE-1/2	G1/2

Note: This product conforms to ISO 1179-1 and ISO 228-1

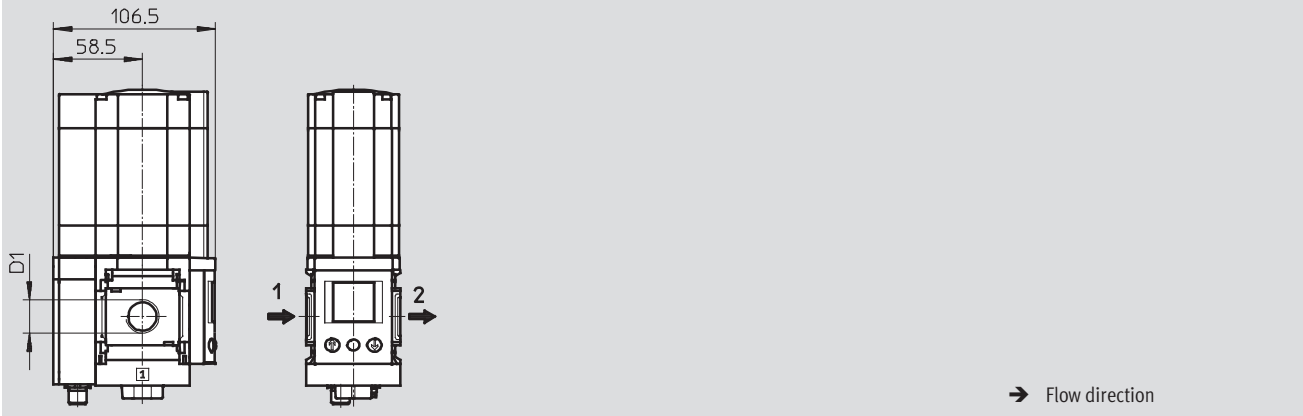
Electrical pressure regulators MS6-LRE, MS series

Technical data

Dimensions – Pressure gauge alternatives

Download CAD Data → www.festo.com/us/cad

Control unit with display OP



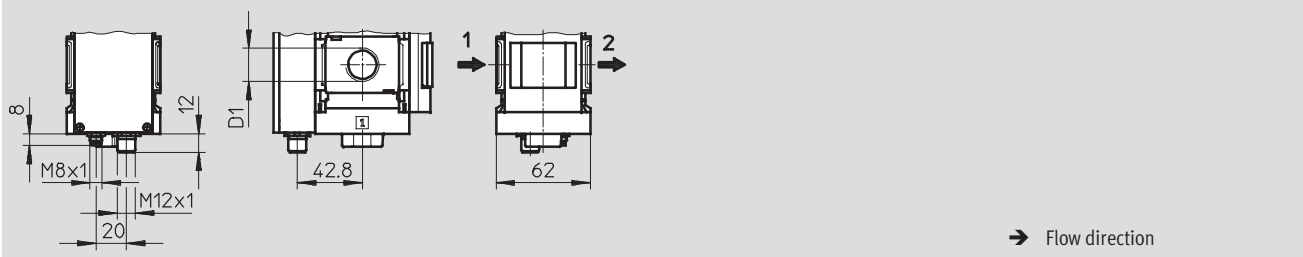
Type	D1
MS6-LRE-1/4	G1/4
MS6-LRE-3/8	G3/8
MS6-LRE-1/2	G1/2

Note: This product conforms to ISO 1179-1 and ISO 228-1

Dimensions – Electrically controlled pressure output

Download CAD Data → www.festo.com/us/cad

Integrated pressure sensor with electrical output PI/PU



Electrical pressure regulators MS6-LRE, MS series

Technical data

Ordering data					
Pressure gauge					
Size	Connection	Pressure regulation range 0.3... 7 bar		Pressure regulation range 0.5... 12 bar	
		Part No.	Type	Part No.	Type
Standard					
MS6	G1/4	535358	MS6-LRE-1/4-D6	535364	MS6-LRE-1/4-D7
	G3/8	535372	MS6-LRE-3/8-D6	535378	MS6-LRE-3/8-D7
	G1/2	535348	MS6-LRE-1/2-D6	535354	MS6-LRE-1/2-D7
Electrically controlled pressure output (integrated pressure sensor with current output), M8x1 plug, 3-pin					
MS6	G1/4	535360	MS6-LRE-1/4-D6-PI	535366	MS6-LRE-1/4-D7-PI
	G3/8	535374	MS6-LRE-3/8-D6-PI	535380	MS6-LRE-3/8-D7-PI
	G1/2	535350	MS6-LRE-1/2-D6-PI	535356	MS6-LRE-1/2-D7-PI
Electrically controlled pressure output (integrated pressure sensor with voltage output), M8x1 plug, 3-pin					
MS6	G1/4	535362	MS6-LRE-1/4-D6-PU	535369	MS6-LRE-1/4-D7-PU
	G3/8	535376	MS6-LRE-3/8-D6-PU	535382	MS6-LRE-3/8-D7-PU
	G1/2	535352	MS6-LRE-1/2-D6-PU	535357	MS6-LRE-1/2-D7-PU

Electrical pressure regulators MS6-LRE, MS series



Ordering data – Modular products

M Mandatory data →

Module No.	Series	Size	Function	Connection sizes	Pressure regulation range
535191	MS	6	LRE	1/4, 3/8, 1/2, AGB, AGC, AGD, AGE	D5 D6 D7 D8
Order example					
535191	MS	6	- LRE	- AGC	- D6

Ordering table

Grid dimension	[mm]	62	Conditions	Code	Enter code
M	Module No.	535191			
	Series	Standard		MS	MS
	Size	6		6	6
	Function	Electrical pressure regulator		-LRE	-LRE
	Connection sizes	Thread G1/4		-1/4	
		Thread G3/8		-3/8	
		Thread G1/2		-1/2	
		Connecting plate G1/4		-AGB	
		Connecting plate G3/8		-AGC	
		Connecting plate G1/2		-AGD	
		Connecting plate G3/4		-AGE	
	Pressure regulation range	0.3 ... 4 bar		-D5	
		0.3 ... 7 bar		-D6	
		0.5 ... 12 bar		-D7	
		0.5 ... 16 bar		-D8	

Transfer order code

535191	MS	6	-	LRE	-		-	
--------	----	---	---	-----	---	--	---	--

Electrical pressure regulators MS6-LRE, MS series

Ordering data – Modular products

Options							
Pressure gauge alternatives	Alternative pressure gauge scale	Secondary venting	Electrically controlled pressure output	Sensor cables	Supply cable	Type of mounting	Alternative flow direction
VS A4 RG OP	PSI MPA	OS	PI PU	SK2 SK5	VK2 VK5	WBE WPB	Z
- OP	-	- OS	- PU	- SK5	-	-	- Z

Ordering table		Grid dimension [mm]	62	Conditions	Code	Enter code
0	Pressure gauge alternatives	Cover plate			-VS	
		Adapter plate for EN pressure gauge 1/4, without pressure gauge			-A4	
		Integrated pressure gauge, red-green scale			-RG	
		Control unit with display		1	-OP	
Alternative pressure gauge scale	psi		2	-PSI		
	MPa		2	-MPA		
Secondary venting	Without secondary venting			-OS		
Electrically controlled pressure output	Plug, M8, 3-pin, I out			-PI		
	Plug, M8, 3-pin, V out			-PU		
Sensor cables	Plug socket, M8, with cable, 2.5 m		1	-SK2		
	Plug socket, M8, with cable, 5 m		1	-SK5		
Supply cable	Plug socket, M12, with cable, 2.5 m			-VK2		
	Plug socket, M12, with cable, 5 m			-VK5		
Type of mounting	Connecting plate for direct thread		3	-WBE		
	Wall mounting plate for large wall gap		4	-WPB		
Alternative flow direction	Flow direction from right to left			-Z		

- 1 OP, SK2, SK5 Only with electrical pressure output PI, PU
- 2 PSI, MPA Not with pressure gauge alternatives VS, A4, RG, OP

- 3 WBE Only with connection thread size 1/4, 3/8, 1/2
- 4 WPB Only with connecting plate size AGB, AGC, AGD, AGE

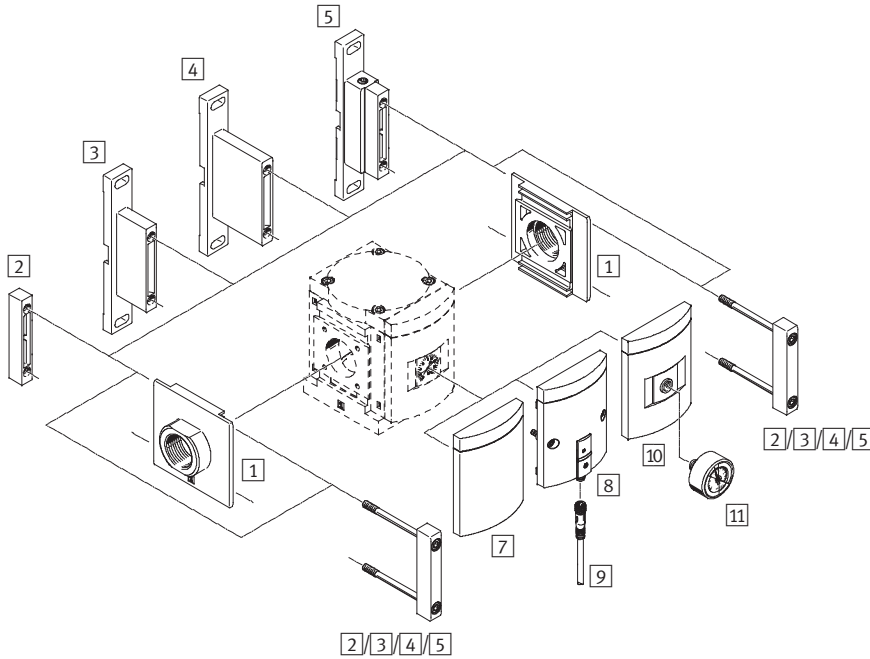
Transfer order code

- - - - - - - -

Pressure regulators MS9-LR, MS series

Peripherals overview

Pressure regulator MS9-LR



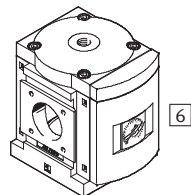
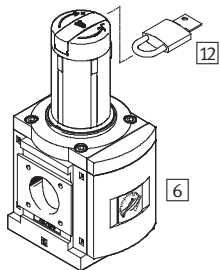
Note

Additional accessories:

- Module connector for combinations with size MS6, MS9 or MS12 → Internet: rmv, armv

manually operated

pneumatically actuated



Pressure regulators MS9-LR, MS series

Peripherals overview

FESTO

Mounting attachments and accessories						
		Individual unit		Combination	→ Page/ Internet	
		With female thread 3/4 or 1	With connecting plate AG...			Module without connecting thread, without connecting plate G
			Without EU certification EX4	With EU certification EX4		
1	Connecting plate MS9-AG...	-	■	■	ms9-ag	
2	Module connector MS9-MV	-	-	■	ms9-mv	
3	Mounting bracket MS9-WP	■	■	■	ms9-wp	
4	Mounting bracket MS9-WPB	■	■	■	ms9-wp	
5	Mounting bracket MS9-WPM	■	■	-	ms9-wp	
6	MS pressure gauge AG	■	■	■	86	
7	Cover plate VS	■	■	■	86	
8	Pressure sensor without display AD7 ... AD10	■	■	-	86	
9	Connecting cable NEBU-M8...-LE3	■	■	-	98	
10	Adapter plate for EN pressure gauge 1/4 A4	■	■	■	86	
11	Pressure gauge MA	■	■	■	98	
12	Padlock LRVS-D	■	■	■	98	

Pressure regulators MS9-LR, MS series

Type codes

FESTO

		MS	9	-	LR	-	G	-	D5	-	DI	-	AG	-	BAR	-	AS	
Series																		
MS	Standard service unit																	
Size																		
9	Grid dimension 90 mm																	
Service function																		
LR	Pressure regulator																	
Connection size																		
G	Module without connecting thread, without connecting plate																	
Pressure regulation range/operation																		
D5	0.5 ... 4 bar, manually operated																	
D6	0.5 ... 7 bar, manually operated																	
D7	0.5 ... 12 bar, manually operated																	
Alternative actuation principle																		
	Piloted																	
DI	Directly actuated (only with pressure regulation range D5/D6)																	
Pressure gauge																		
AG	MS pressure gauge																	
Pressure gauge scale																		
BAR	Bar																	
Security																		
AS	Rotary knob with detent, can be locked using accessories																	

Additional variants can be ordered using the modular product system → 86

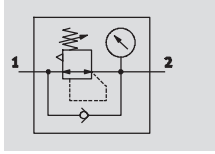
- Connecting plates
- Pressure regulation range/operation
- Pressure gauge alternatives
- Alternative pressure gauge scale
- Secondary venting
- Security lock
- Type of mounting
- EU certification
- UL certification
- Alternative flow direction

Pressure regulators MS9-LR, MS series

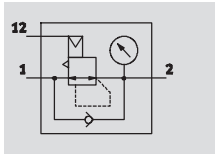
FESTO

Technical data

Pressure regulation range/operation
D5/D6/D7/D8, manually operated



PO, pneumatically actuated



Flow rate
6,500 ... 33,000 l/min

Temperature range
-10 ... +60 °C

Pressure
1 ... 20 bar



The pressure regulator maintains an essentially constant output pressure p2 independent of pressure fluctuations in the system and air consumption. The output pressure p2 can be set within the pressure regulation range either manually

using the rotary knob or pneumatically via a pilot pressure p12 by an external pilot regulator. When switching off the operating pressure, the output pressure p2 is vented via connection 3 (secondary venting).

- Good regulation characteristics with low hysteresis and primary pressure compensation
- High flow rate with minimal pressure drop
- Piloted or directly actuated diaphragm regulator
- Four pressure regulation ranges: 0.5 ... 4 bar, 0.5 ... 7 bar, 0.5 ... 12 bar and 0.5 ... 16 bar
- Available with or without secondary venting
- Actuator lock to protect set values against adjustment
- Return flow option for exhausting from output port 2 to output port 1 already integrated
- Optional pressure sensor
- Optional device variant EX4 for use in potentially explosive areas in zones 1, 2, 21 and 22

General technical data				
Pneumatic connection 1, 2		G3/4	G1	G1/2 ... G1 1/2 (with connecting plate AG...) – (without connecting thread G)
Pilot air connection 12 with pressure regulation range/operation PO		G1/4		
Design		Piloted diaphragm regulator Directly actuated diaphragm regulator		
Regulator type	Piloted	Output pressure constant, with return flow action, with primary pressure compensation, with secondary venting		
	Directly actuated	Output pressure constant, with return flow action, with/without secondary venting		
Type of mounting		Via accessories In-line installation Front panel mounting		
Mounting position		Any ¹⁾		
Actuation security		Rotary knob with detent Rotary knob with detent, can be locked using accessories Rotary knob with integrated lock		
Pressure regulation range/operation	D5 [bar]	0.5 ... 4, manually operated		
	D6 [bar]	0.5 ... 7, manually operated		
	D7 [bar]	0.5 ... 12, manually operated (0.5 ... 10 with pressure sensor variant AD...)		
	D8 [bar]	0.5 ... 16, manually operated (0.5 ... 10 with pressure sensor variant AD...)		
	PO [bar]	0.5 ... 16, pneumatically actuated ²⁾		
Max. pressure hysteresis	[bar]	0.4		
Pressure display		Via pressure sensor for displaying output pressure via operational status indicator and electrical output Via pressure gauge for displaying output pressure Via pressure gauge with red/green scale for displaying output pressure G1/4 prepared		

1) The pressure regulator must be mounted vertically when combined with a pressure sensor as condensate must not collect in the pressure sensor.

2) Output pressure p2 corresponds roughly to the applied pilot pressure p12.

Note: This product conforms to ISO 1179-1 and ISO 228-1

Pressure regulators MS9-LR, MS series

FESTO

Technical data

Standard nominal flow rate $q_{nN}^{1)}$ [l/min]					
Design		Piloted diaphragm regulator		Directly actuated diaphragm regulator DI	
Pneumatic connection		G $\frac{3}{4}$	G1	G $\frac{3}{4}$	G1
Pressure regulation range	D5	24,000 $\pm 15\%^{2)}$	33,000 $\pm 15\%^{2)}$	6,500 $\pm 15\%^{2)}$	18,500 $\pm 15\%^{2)}$
	D6	24,000 $\pm 15\%$	28,000 $\pm 15\%$	8,000 $\pm 15\%$	9,000 $\pm 15\%$
	D7	24,000 $\pm 15\%$	28,000 $\pm 15\%$	–	–
	D8	20,000 $\pm 15\%$	28,000 $\pm 15\%$	–	–
	PO	23,000 $\pm 15\%$	29,000 $\pm 15\%$	–	–

1) Measured at $p_1 = 10$ bar and $p_2 = 6$ bar, $\Delta p = 1$ bar

2) Measured at $p_1 = 10$ bar and $p_2 = 4$ bar, $\Delta p = 1$ bar

Operating and environmental conditions		
Variant	Standard	With pressure sensor AD...
Operating pressure [bar]	1 ... 20	1 ... 20
Operating medium	Compressed air in accordance with ISO 8573-1:2010 [7:4:4]	
Note on operating/pilot medium	Operation with lubricated medium possible (in which case lubricated operation will always be required)	
Ambient temperature [°C]	-10 ... +60	0 ... +50
Temperature of medium [°C]	-10 ... +60	0 ... +50
Storage temperature [°C]	-10 ... +60	-10 ... +60
Corrosion resistance class CRC ¹⁾	2	
Certification (variant UL1)	cULus recognized (OL)	

1) Corrosion resistance class 2 according to Festo standard 940 070

Components subject to moderate corrosion stress. Externally visible parts with primarily decorative surface requirements which are in direct contact with a normal industrial environment or media such as coolants or lubricating agents.

ATEX	
EU certification	EX4
ATEX category gas	II 2G
Ex-ignition protection type gas	c T6 X
ATEX category dust	II 2D
EX-ignition protection type dust	c 60 °C X
ATEX ambient temperature	-10 °C $\leq T_a \leq$ +60 °C
CE mark (see declaration of conformity)	To EU Explosion Protection Directive (ATEX)

Pressure regulators MS9-LR, MS series

Technical data

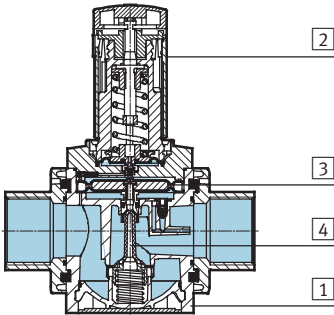
FESTO

Weight [g]

Pressure regulator	1,400
Pressure regulator with rotary knob with integrated lock E11	1,700

Materials

Sectional view



Pressure regulator		
1	Housing	Die-cast aluminium
2	Rotary knob	PA
	Rotary knob with integrated lock E11	Aluminium
3	Diaphragm	NBR
4	Valve stem	Wrought aluminium alloy, NBR, POM
	– Cover	PA, reinforced
–	Connecting plate, module connector, mounting bracket	Die-cast aluminium
–	Seals	NBR
Note on materials		RoHS-compliant

Pressure regulators MS9-LR, MS series

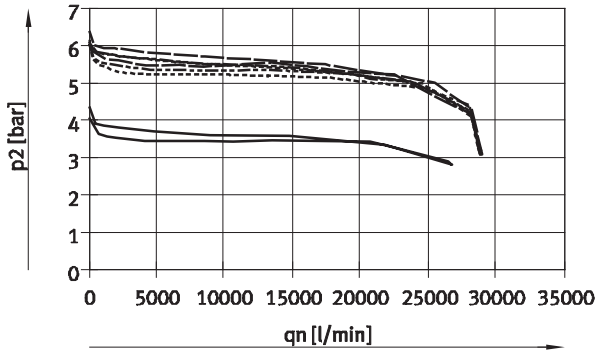
Technical data

FESTO

Standard flow rate q_n as a function of output pressure p_2 at operating pressure $p_1 = 10$ bar

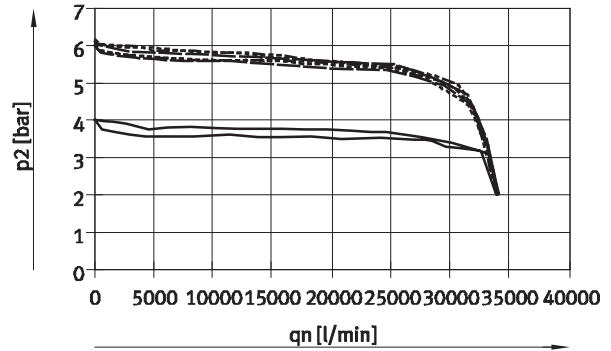
Piloted diaphragm regulator

Pneumatic connection $G\frac{3}{4}$



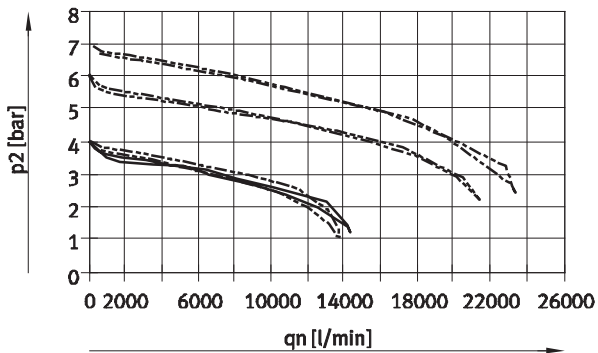
— D5: 0.5 ... 4 bar - · - · D7: 0.5 ... 12 bar
- - - D6: 0.5 ... 7 bar · · · · D8: 0.5 ... 16 bar

Pneumatic connection G1



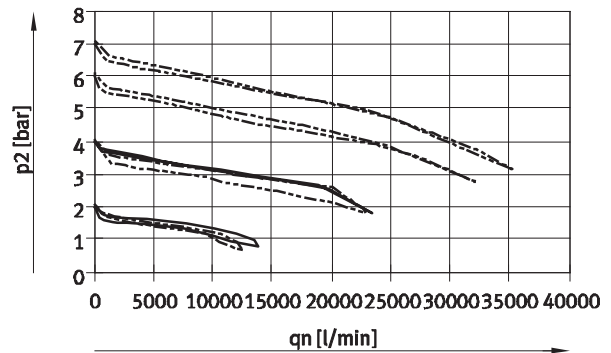
Directly actuated diaphragm regulator DI

Pneumatic connection $G\frac{3}{4}$



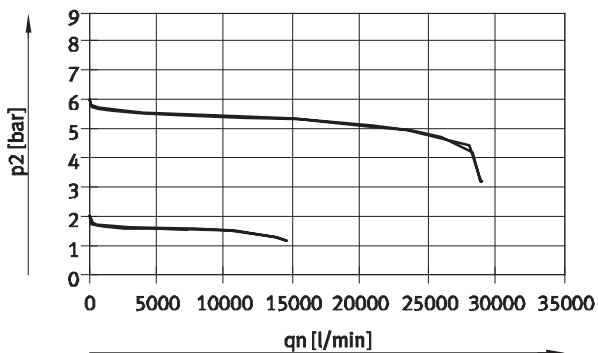
— D5: 0.5 ... 4 bar
- - - D6: 0.5 ... 7 bar

Pneumatic connection G1

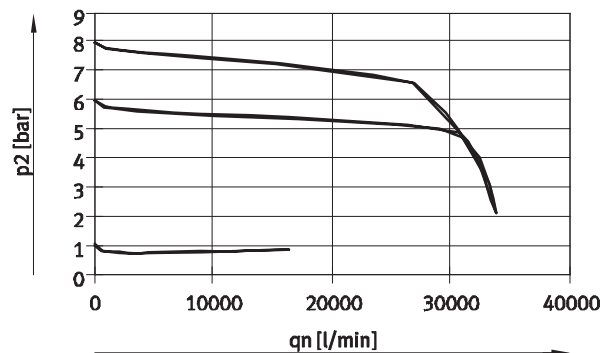


External pilot regulator, pressure regulation range/operation P0

Pneumatic connection $G\frac{3}{4}$



Pneumatic connection G1



Pressure regulators MS9-LR, MS series

Technical data

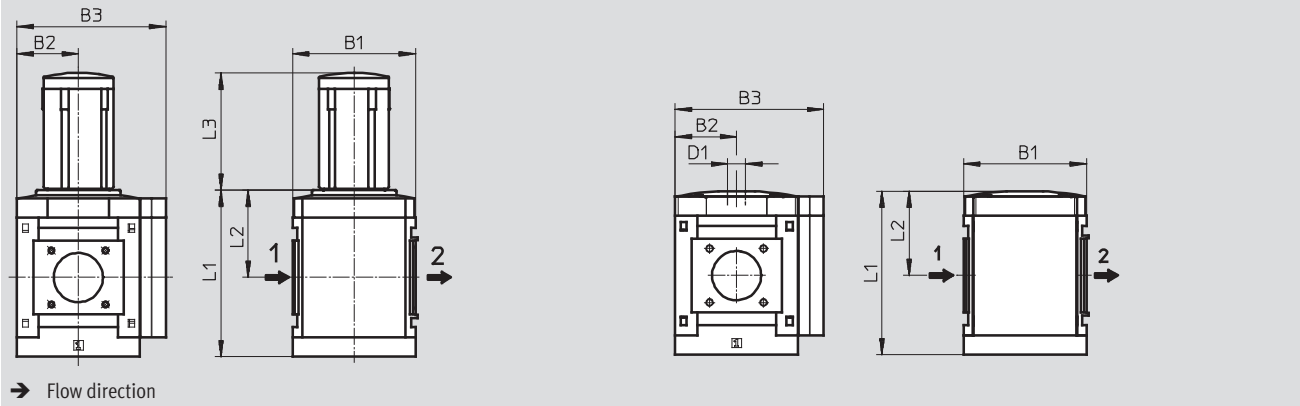
FESTO

Dimensions – Basic version

Download CAD Data → www.festo.com/us/cad

Pressure regulation range/operation D5/D6/D7/D8, manually operated, without connecting thread G, cover plate VS, rotary knob with detent

Pressure regulation range/operation PO, pneumatically actuated, without connecting thread G, cover plate VS



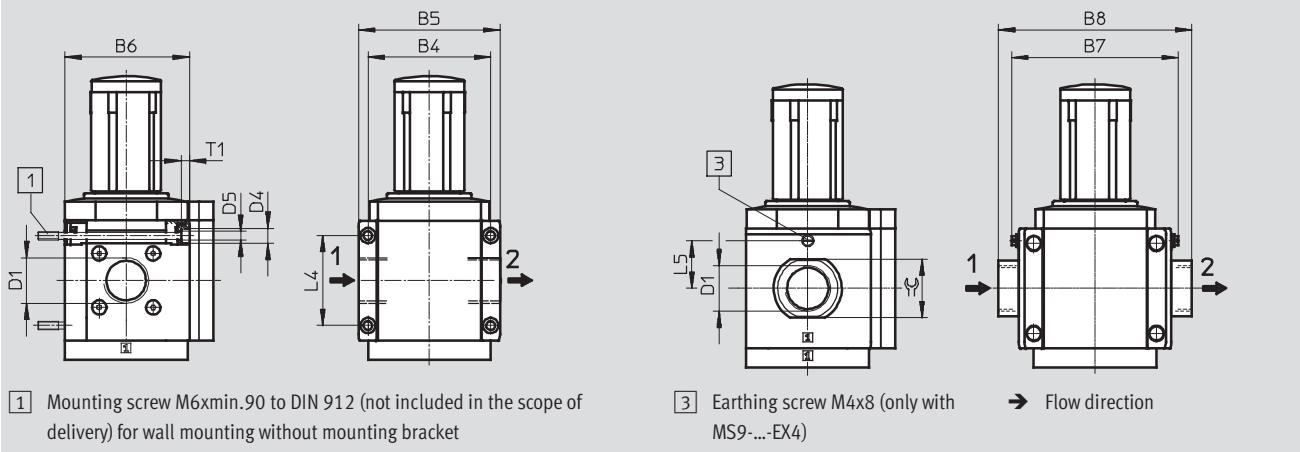
Type	B1	B2	B3	D1	L1		L2		L3
					Piloted	Directly actuated DI	Piloted	Directly actuated DI	
MS9-LR-G-D5/D6/D7/D8	90	45	109	–	129	122	71.4	64	86
MS9-LR-G-PO				G $\frac{3}{4}$	120	–	62	–	–

Dimensions – Connecting thread/connecting plate

Download CAD Data → www.festo.com/us/cad

With connecting thread $\frac{3}{4}$ or 1

With connecting plate AG...



Type	B4	B5	B6	B7		B8	D1	D4	D5	L4	L5	T1	☞
				EX4	EX4								
MS9-LR- $\frac{3}{4}$	90	104	91.5	–	–	–	G $\frac{3}{4}$	11	6.5	66	–	6	–
MS9-LR-1				G1	–	–	–						
MS9-LR-AGD	–	–	–	112	122	132	G $\frac{1}{2}$	–	–	–	35	–	30
MS9-LR-AGE						132	G $\frac{3}{4}$						36
MS9-LR-AGF						142	G1						41
MS9-LR-AGG						162	G $1\frac{1}{4}$						50
MS9-LR-AGH						176	G $1\frac{1}{2}$						55

Note: This product conforms to ISO 1179-1 and ISO 228-1

Pressure regulators MS9-LR, MS series

Technical data

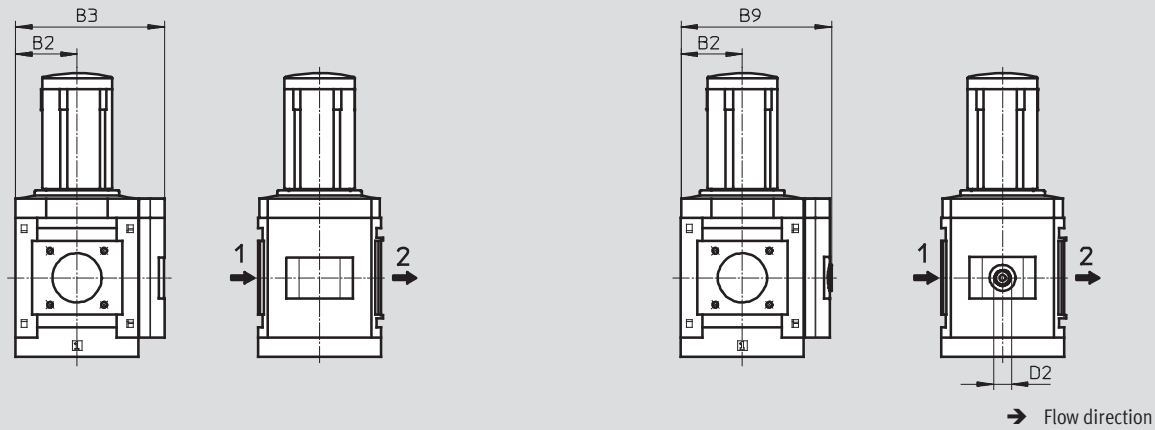
FESTO

Dimensions – Pressure gauge alternatives

Download CAD Data → www.festo.com/us/cad

Integrated MS pressure gauge with standard scale AG or red/green scale RG

Adapter plate A4 for EN pressure gauge 1/4, without pressure gauge



Type	B2	B3	B9	D2
MS9-LR-...-AG/RG	45	109	–	–
MS9-LR-...-A4		–	110	G1/4

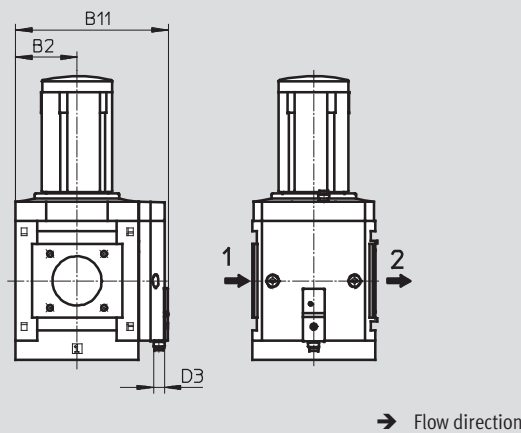
Note: This product conforms to ISO 1179-1 and ISO 228-1

Dimensions – Pressure gauge alternatives

Download CAD Data → www.festo.com/us/cad

Pressure sensor without LCD display (operational status indicator only) AD7...AD10

Technical data → Internet: sde5



Variant AD7:
SDE5-D10-O-...-P-M8 with 3-pin plug M8x1, threshold value comparator, 1 switching output PNP, N/O contact

Variant AD9:
SDE5-D10-O3-...-P-M8 with 3-pin plug M8x1, window comparator, 1 switching output PNP, N/O contact

Variant AD8:
SDE5-D10-C-...-P-M8 with 3-pin plug M8x1, threshold value comparator, 1 switching output PNP, N/C contact

Variant AD10:
SDE5-D10-C3-...-P-M8 with 3-pin plug M8x1, window comparator, 1 switching output PNP, N/C contact

Type	B2	B11	D3
MS9-LR-...-AD7/AD8/AD9/AD10	45	112	M8

Pressure regulators MS9-LR, MS series

Technical data

FESTO

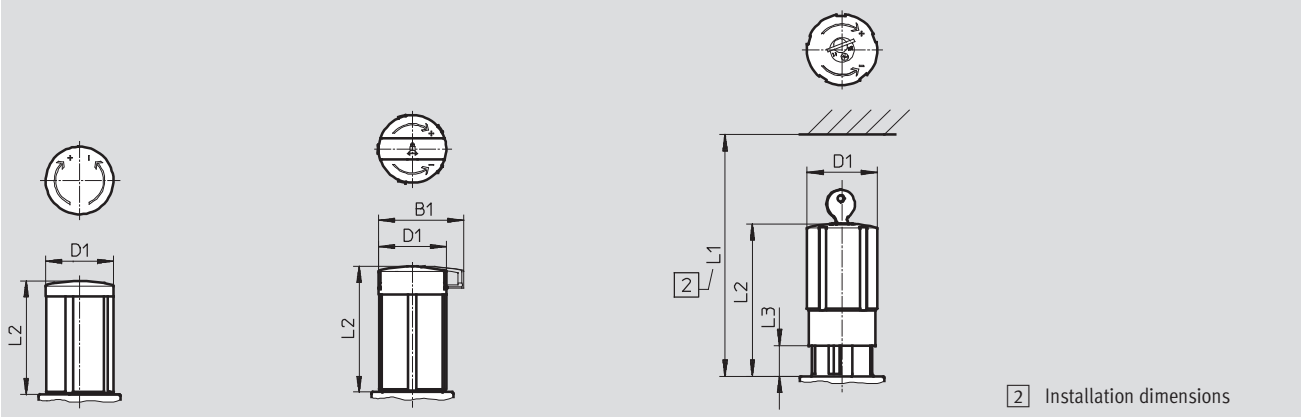
Dimensions – Rotary knob

Download CAD Data → www.festo.com/us/cad

Rotary knob with detent

Rotary knob with detent,
can be locked using accessories AS

Rotary knob with integrated lock
E11



Type	B1	D1	L1	L2	L3
MS9-LR	–	52	–	86	–
MS9-LR-...-AS	65	52	–	96	–
MS9-LR-...-E11	–	52	174	114	25

Ordering data

Integrated pressure gauge, display unit [bar], rotary knob with detent, can be locked using accessories

Size	Connection	Piloted diaphragm regulator		Directly actuated diaphragm regulator	
		Part No.	Type	Part No.	Type
Pressure regulation range 0.5 ... 4 bar, manually operated					
MS9	–	564134	MS9-LR-G-D5-AG-BAR-AS	564135	MS9-LR-G-D5-DI-AG-BAR-AS
Pressure regulation range 0.5 ... 7 bar, manually operated					
MS9	–	564136	MS9-LR-G-D6-AG-BAR-AS	564137	MS9-LR-G-D6-DI-AG-BAR-AS
Pressure regulation range 0.5 ... 12 bar, manually operated					
MS9	–	564138	MS9-LR-G-D7-AG-BAR-AS	–	–

Pressure regulators MS9-LR, MS series

Ordering data – Modular products

M Mandatory data						O Options	M
Module No.	Series	Size	Function	Connection size	Pressure range/operation	Regulator type	Pressure gauge/pressure gauge alternatives
562530	MS	9	LR	¾, 1, AGD, AGE, AGF, AGG, AGH, G	D5, D6, D7, D8, PO	DI	AG, VS, A4, RG, AD7 ... AD10
Ordering example							
562530	MS	9	- LR	- G	- D5	-	- AG

Ordering table		Grid dimension [mm]	90	Conditions	Code	Enter code
M	Module No.	562530				
	Series	Standard			MS	MS
	Size	9			9	9
	Function	Pressure regulator			-LR	-LR
	Connection size	Thread G¾		1	-¾	
		Thread G1		1	-1	
		Connecting plate G½			-AGD	
		Connecting plate G¾			-AGE	
		Connecting plate G1			-AGF	
		Connecting plate G1¼			-AGG	
		Connecting plate G1½			-AGH	
		Module without connecting thread, without connecting plate		1	-G	
	Pressure range/operation	0.5 ... 4 bar, manually operated			-D5	
		0.5 ... 7 bar, manually operated			-D6	
		0.5 ... 12 bar, manually operated			-D7	
		0.5 ... 16 bar, manually operated		1	-D8	
		Max. 16 bar, pneumatically actuated (pressure range defined by means of pilot regulator)		2	-PO	
O	Regulator type	Directly actuated		3	-DI	
M	Pressure gauge/pressure gauge alternatives	MS pressure gauge			-AG	
		Cover plate			-VS	
		Adapter plate for EN pressure gauge ¼, without pressure gauge			-A4	
		Integrated pressure gauge, red/green scale		4	-RG	
		Pressure sensor without display, plug M8, threshold value comparator, PNP, N/O contact		1 5	-AD7	
		Pressure sensor without display, plug M8, threshold value comparator, PNP, N/C contact		1 5	-AD8	
		Pressure sensor without display, plug M8, window comparator, PNP, N/O contact		1 5	-AD9	
		Pressure sensor without display, plug M8, window comparator, PNP, N/C contact		1 5	-AD10	

- 1 ¾, 1, G, D8, AD7, AD8, AD9, AD10, E11, WPM
Not with EU certification EX4
- 2 PO
Not with regulator type DI
Not with security AS, E11

- 3 DI
Not with pressure range D7, D8
- 4 RG
Not with alternative pressure gauge scale PSI,
PSI scale serves only as an auxiliary scale
- 5 AD7 ... AD10
Measuring range max. 10 bar

Transfer order code

562530	MS	9	- LR	-		-		-		-	
--------	----	---	------	---	--	---	--	---	--	---	--

Pressure regulators MS9-LR, MS series

FESTO

Ordering data – Modular products

→ **0 Options**

Alternative pressure gauge scale	Secondary venting	Alternative mounting position	Security	Type of mounting	EU certification	UL certification	Alternative flow direction
PSI, MPA, BAR	OS	KD	AS, E11	WP, WPM, WPB	EX4	UL1	Z
- BAR	-	-	- AS	-	-	-	-

Ordering table

Grid dimension	[mm]	90	Condition s	Code	Enter code
0 Alternative pressure gauge scale	Psi		6	-PSI	
	MPa		6	-MPA	
	Bar		6	-BAR	
Secondary venting	Without secondary venting		7	-OS	
Alternative mounting position	Rotary knob underneath (connection underneath with P0)			-KD	
Security	Can be locked using accessories			-AS	
	With integrated lock		1	-E11	
Type of mounting	Mounting bracket		8	-WP	
	Mounting bracket		1 8	-WPM	
	Mounting bracket for large wall gap		8	-WPB	
EU certification	II 2GD to EU Directive 94/9/EG			-EX4	
UL certification	cULus, ordinary location for Canada and USA			-UL1	
Alternative flow direction	Flow direction from right to left			-Z	

1 ¾, 1, G, D8, AD7, AD8, AD9, AD10, E11, WPM

Not with EU certification EX4

7 OS

Only with regulator type DI

8 WP, WPM, WPB

Not with module G

6 PSI, MPA, BAR

Not with pressure gauge alternatives VS, A4, AD7, AD8, AD9, AD10

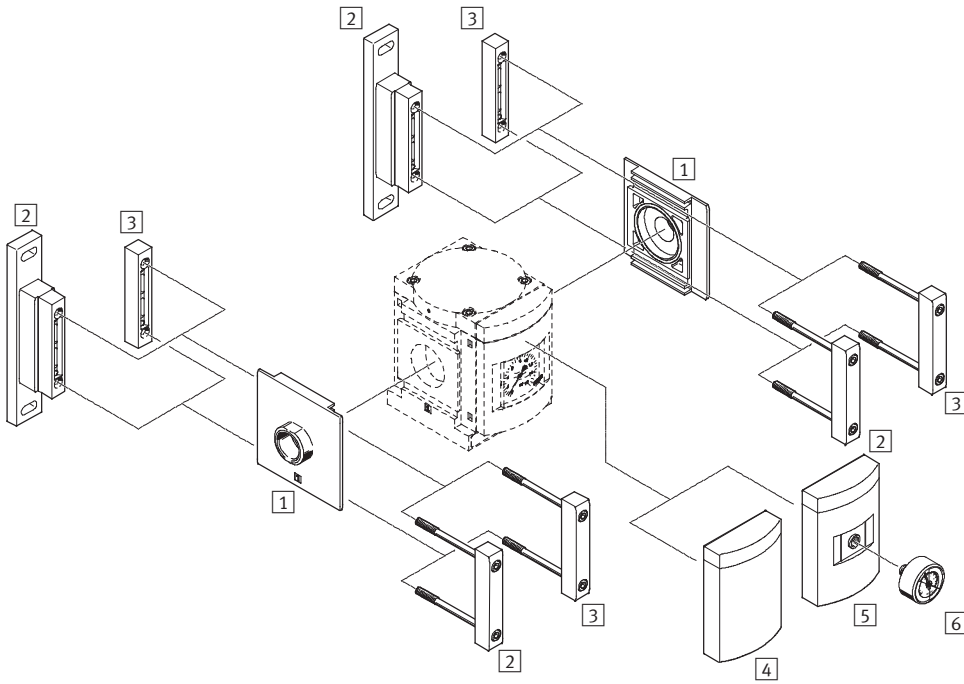
Transfer order code

- - - - - - - -

Pressure regulators MS12-LR, MS series

Peripherals overview

Pressure regulator MS12-LR



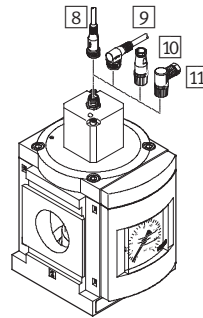
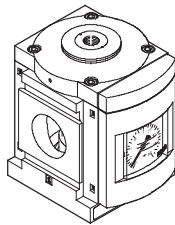
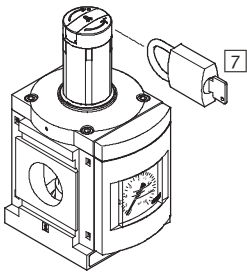
Note

Additional accessories:
 – Module connector
 for combination with size MS9
 → Internet: armv

manually operated

pneumatically actuated

solenoid actuated



Pressure regulators MS12-LR, MS series

Peripherals overview

Mounting attachments and accessories		→ Page/Internet
1	Connecting plate MS12-AG...	ms12-ag
2	Mounting bracket MS12-WP	ms12-wp
3	Module connector MS12-MV	ms12-mv
4	Cover plate VS	96
5	Adapter plate for EN pressure gauge 1/4 A4	96
6	Pressure gauge MA	98
7	Padlock LRVS-D	98
8	Connecting cable NEBU-M12G...-LE4	98
9	Connecting cable NEBU-M12W...-LE4	98
10	Sensor socket SIE-GD	98
11	Angled plug socket SIE-WD	98

Pressure regulators MS12-LR, MS series

Type codes

FESTO

		MS	12	-	LR	-	G	-	D7	-	LD	-	AS
Series													
MS	Standard service unit												
Size													
12	Grid dimension 124 mm												
Service function													
LR	Pressure regulator												
Connection size													
G	Module without connecting thread, without connecting plate Connecting plates → Accessories												
Pressure regulation range/actuation mode													
D7	0.5 ... 12 bar, manually operated												
PO	0.5 ... 16 bar, pneumatically actuated												
PE6	0.15 ... 6 bar, solenoid actuated												
Rotary knob													
Pressure regulation range/actuation mode D7													
LD	Long rotary knob												
Pressure regulation range/actuation mode PO/PE6													
	No rotary knob												
Security													
Pressure regulation range/actuation mode D7													
AS	Rotary knob with detent, lockable via accessories												
Pressure regulation range/actuation mode PO/PE6													
	No rotary knob												

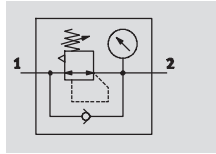
Further variants can be ordered using the modular system → 96

- Connecting plates
- Pressure regulation range/actuation mode
- Pressure gauge alternatives
- Alternative pressure gauge scale
- Security
- Type of mounting
- Alternative flow direction

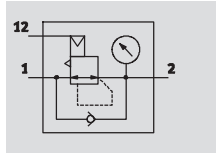
Pressure regulators MS12-LR, MS series

Technical data

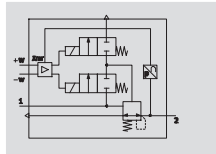
Pressure regulation range/actuation mode
D6/D7/D8, manually operated



PO, pneumatically actuated



PE6, solenoid actuated



Flow rate
12,000 ... 22,000 l/min
Temperature range
-10 ... +60 °C
Pressure
0.8 ... 21 bar
www.festo.com/en/Spare_parts_service

Wearing parts kits
→ 95



The pressure regulator maintains an essentially constant output pressure p2 independent of pressure fluctuations in the system and air consumption. The output pressure p2 can be set within the pressure regulation range either manually using the rotary knob, pneumatically

via a pilot pressure p12 by an external pilot regulator or electrically via setpoint signals. When the operating pressure or the voltage for the setpoint signals is switched off, the output pressure p2 is vented via connection 3 (secondary venting).

- Good regulation characteristics with low hysteresis and primary pressure compensation
- High flow rate with minimal pressure drop
- Regulator lock for protecting the values against adjustment
- With secondary venting
- Pressure gauge connection for different fitting options

General technical data					
Pneumatic connection 1, 2	G1 (with sub-base AGF) ¹⁾	G1 ¼ (with sub-base AGG) ¹⁾	G1 ½ (with sub-base AGH) ¹⁾	G2 (with sub-base AGI) ¹⁾	– (without connecting thread G)
Pilot air connection 12 with pressure regulation range/actuation mode PO	G ¼				
Constructional design	Pressure regulator with/without pressure gauge				
	Pilot actuated diaphragm regulator (except pressure regulation range/actuation mode PO)				
	Diaphragm regulator (with pressure regulation range/actuation mode PO)				
Regulating function	Output pressure constant, via primary pressure compensation, via return flow function, via secondary venting				
Type of mounting	Via accessories				
	In-line installation				
Mounting position	Any				
Regulator lock	Rotary knob with detent				
	Rotary knob with detent, lockable via accessories				
	Rotary knob with integrated lock				
Pressure regulation range/actuation mode	D6 [bar]	0.3 ... 7, manually operated			
	D7 [bar]	0.5 ... 12, manually operated			
	D8 [bar]	0.5 ... 16, manually operated			
	PO [bar]	0.5 ... 16, pneumatically actuated ²⁾			
	PE6 [bar]	0.15 ... 6, solenoid actuated			
Max. hysteresis	[bar]	0.4 with pressure regulation range/actuation mode D6/D7/D8/PO			
	[bar]	0.04 with pressure regulation range/actuation mode PE6			
Pressure display	Via pressure gauge				

1) Connecting plate must be ordered separately as an accessory → Internet: ms12-ag

2) Output pressure p2 corresponds roughly to the applied pilot pressure p12.

Note: This product conforms to ISO 1179-1 and ISO 228-1

Pressure regulators MS12-LR, MS series

FESTO

Technical data

Flow rates		
Pressure regulation range/ actuation mode	D6/D7/D8/PO ¹⁾	PE6 ²⁾
Standard nominal flow rate $q_{nN}^{3)}$ [l/min]		
$q_{nN} 1 \rightarrow 2$	G1	13,000
	G1¼	13,500
	G1½	16,000
	G2	22,000
Secondary venting flow rate [l/min]		
$q_{nN} 2 \rightarrow 3$	≤ 600	≤ 600

1) Measured at $p_1 = 10$ bar and $p_2 = 6$ bar, $\Delta p = 0.5$ bar

2) Measured at $p_1 = 7$ bar and $p_2 = 6$ bar, $\Delta p = 0.5$ bar

3) Dependent on connecting plate selected, must be ordered separately as an accessory → Internet: ms12-ag

Electrical data (pressure regulation range/actuation mode PE6 only)		
Operating voltage range	[V DC]	21.6 ... 26.4
Nominal operating voltage	[V DC]	24
Residual ripple	[%]	10
Analogue input signal range	[V]	0 ... 10
Max. current consumption	[A]	0.15
Max. electrical power consumption	[W]	3.6
Protection class		IP65

Operating and environmental conditions		
Pressure regulation range/ actuation mode	D6/D7/D8/PO	PE6
Operating pressure	[bar]	0.8 ... 21
Operating medium		Compressed air in accordance with ISO 8573-1:2010 [7:4:4]
Ambient temperature	[°C]	-10 ... +60
Temperature of medium	[°C]	-10 ... +60
Storage temperature	[°C]	-10 ... +60
Corrosion resistance class	CRC ¹⁾	2
CE mark (see declaration of conformity)	-	To EU EMC Directive

1) Corrosion resistance class 2 as per Festo standard 940 070

Components subject to moderate corrosion stress. Externally visible parts with primarily decorative surface requirements which are in direct contact with a normal industrial environment or media such as coolants or lubricating agents.

Weight [g]	
Pressure regulator	4,000
Pressure regulator with rotary knob with integrated lock E11	4,300

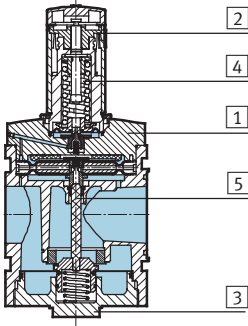
Pressure regulators MS12-LR, MS series

Technical data

FESTO

Materials

Sectional view



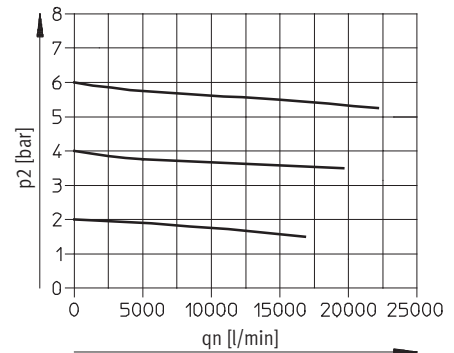
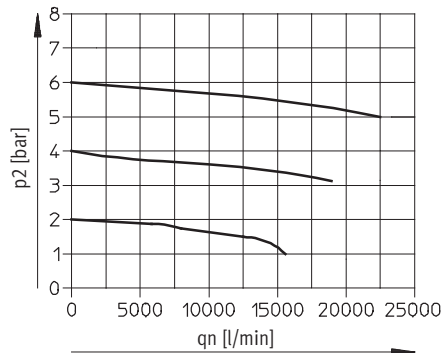
Pressure regulator		
1	Housing	Die-cast aluminium
2	Rotary knob	PA-reinforced, POM
	Rotary knob with integrated lock E11	Wrought aluminium alloy
3	Cap (bottom)	Wrought aluminium alloy
4	Spring	Spring steel
5	Valve stem	Wrought aluminium alloy, NBR, high alloy steel non-corrosive
-	Seals, diaphragm	NBR
Note on materials		RoHS-compliant
		Free of copper and PTFE only with cover plate VS

Standard flow rate q_n as a function of output pressure p_2 (MS12-LR...-D6/D7/D8/PO only)

With connecting plate MS12-AGF
Pneumatic connection G1

With connecting plate MS12-AGG
Pneumatic connection G1¼

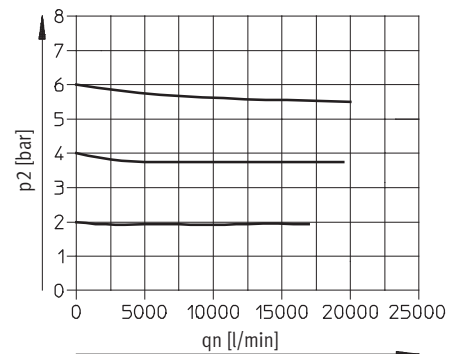
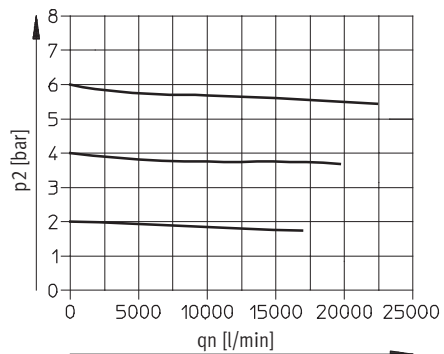
Input pressure $p_1 = 10$ bar



With connecting plate MS12-AGH
Pneumatic connection G1½

With connecting plate MS12-AGI
Pneumatic connection G2

Input pressure $p_1 = 10$ bar



Pressure regulators MS12-LR, MS series

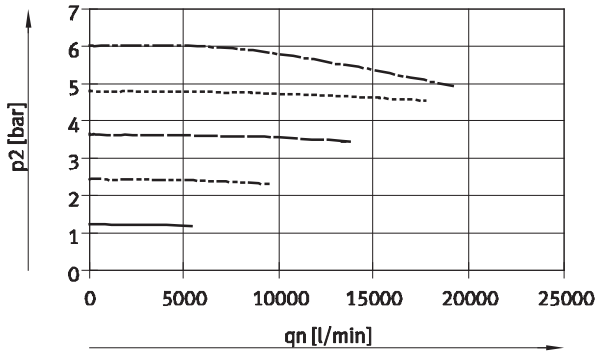
Technical data

FESTO

Standard flow rate q_n as a function of output pressure p_2 (MS12-LR...-PE6 only)

With connecting plate MS12-AGH

Pneumatic connection G1½



Input pressure $p_1 = 7$ bar

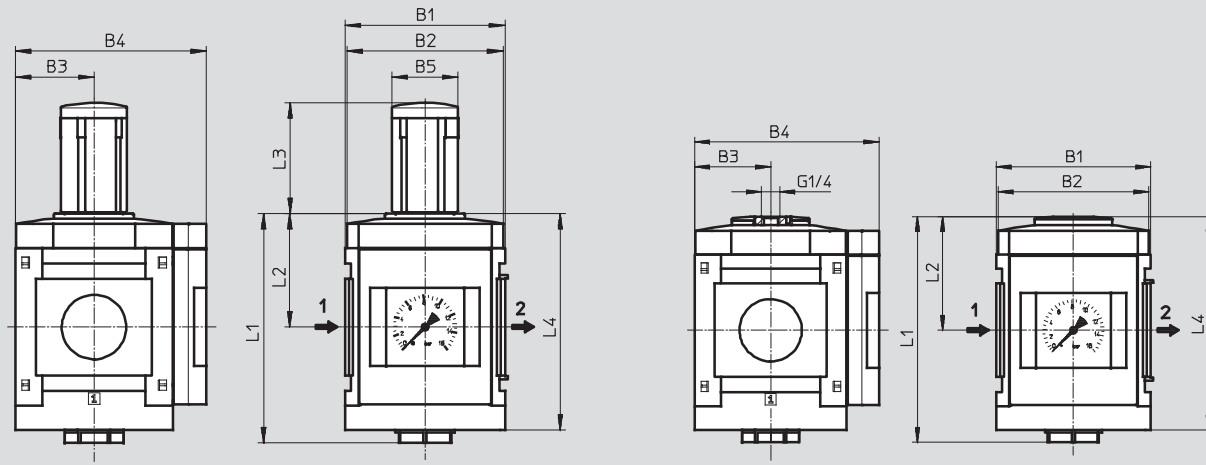
- 2 volts
- - - 4 volts
- · - 6 volts
- · · 8 volts
- - - - 10 volts

Dimensions

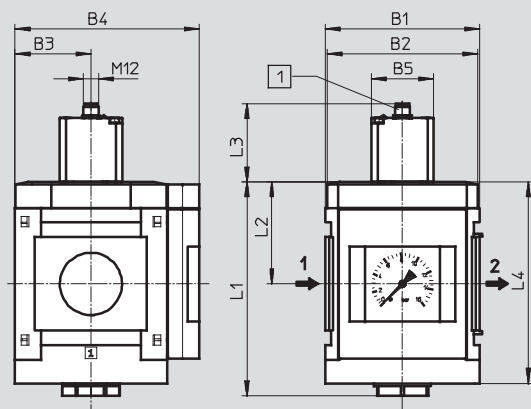
Download CAD Data → www.festo.com/us/cad

Pressure regulation range/actuation mode D6/D7/D8, manually operated, integrated pressure gauge, display unit [bar], long rotary knob

Pressure regulation range/actuation mode PO, pneumatically actuated, integrated pressure gauge, display unit [bar]



Pressure regulation range/actuation mode PE6, solenoid actuated, integrated pressure gauge, display unit [bar]



- 1 Suitable for
- Connecting cable NEBU-M12G...-LE4/NEBU-M12W...-LE4
 - Sensor socket SIE-GD
 - Angled plug socket SIE-WD-TR

→ Flow direction

Type	B1	B2	B3	B4	B5	L1	L2	L3	L4
MS12-LR...-D6/D7/D8					52	178	88	86	168
MS12-LR...-PO	124	122	61	148	-	181	91	-	171
MS12-LR...-PE6					50	172	82	62.7	162

Pressure regulators MS12-LR, MS series

Technical data

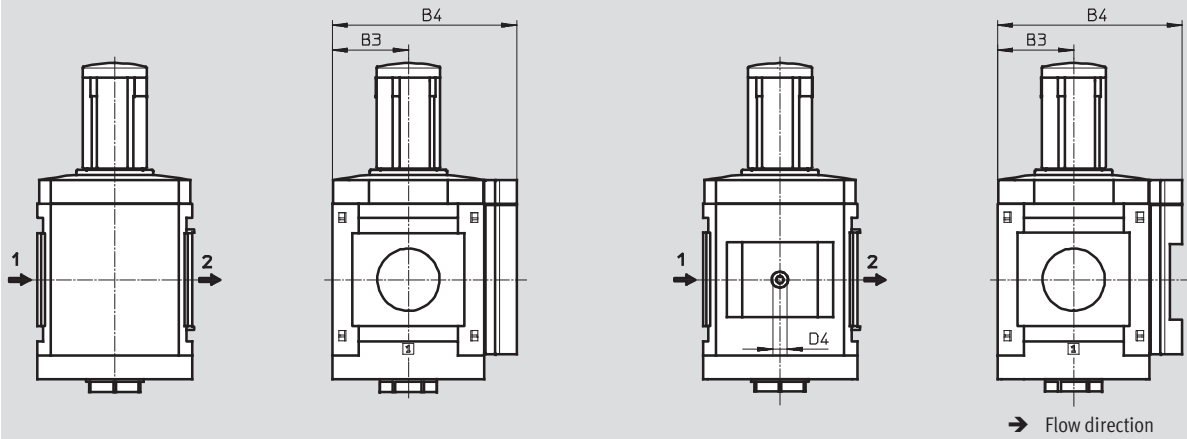
FESTO

Dimensions – Pressure gauge alternatives

Download CAD Data → www.festo.com/us/cad

Cover plate VS

Adapter plate A4 for EN pressure gauge 1/4, without pressure gauge



Type	B3	B4	D4
MS12-LR-...-VS	61	148	–
MS12-LR-...-A4	61	148	G1/4

Note: This product conforms to ISO 1179-1 and ISO 228-1

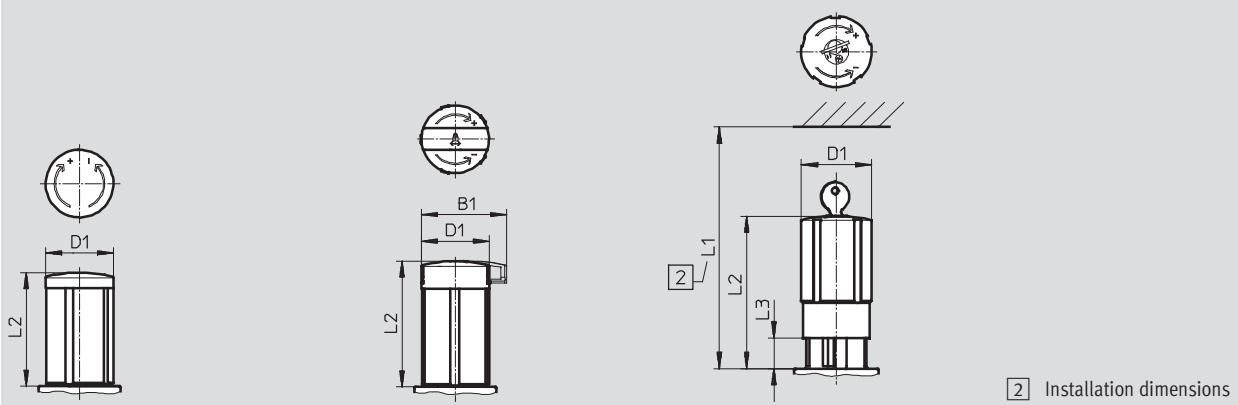
Dimensions – Rotary knob

Download CAD Data → www.festo.com/us/cad

Long rotary knob with detent LD

Long rotary knob with detent, lockable via accessories LD-AS

Rotary knob with integrated lock E11



Type	B1	D1	L1	L2	L3
MS12-LR-...-LD	–	52	–	86	–
MS12-LR-...-LD-AS	65	52	–	96	–
MS12-LR-...-E11	–	52	174	114	25

Ordering data

Integrated pressure gauge, display unit [bar]

Size	Connection	Pressure regulation range 0.5 ... 12 bar, manually actuated, long rotary knob with detent, lockable via accessories		Pressure regulation range 0.5 ... 16 bar, pneumatically actuated		Pressure regulation range 0.15 ... 6 bar, solenoid actuated	
		Part No.	Type	Part No.	Type	Part No.	Type
MS12	G1 ... G2 ¹⁾	537148	MS12-LR-G-D7-LD-AS	541680	MS12-LR-G-PO	564888	MS12-LR-G-PE6

1) Connecting plate must be ordered separately as an accessory → Internet: ms12-ag

Note: This product conforms to ISO 1179-1 and ISO 228-1

Ordering data – Wearing parts kits

Size	Part No.	Type
MS12	673586	MS12-LR/LFR

Pressure regulators MS12-LR, MS series

Ordering data – Modular products

M Mandatory data →

Module No.	Series	Size	Function	Connection size	Pressure regulation range/actuation mode
535021	MS	12	LR	AGF AGG AGH AGI G	D6 D7 D8 PO PE6
Order example					
535021	MS	12	- LR	- G	- D8

Ordering table

Grid dimension	[mm]	124	Condition s	Code	Enter code
M Module No.	535021				
Series	Standard			MS	MS
Size	12			12	12
Function	Pressure regulator			-LR	-LR
Connection size	Connecting plate G1			-AGF	
	Connecting plate G1¼			-AGG	
	Connecting plate G1½			-AGH	
	Connecting plate G2			-AGI	
	Module without connecting thread, without connecting plate			-G	
Pressure regulation range/actuation mode	0.3 ... 7 bar, manually operated			-D6	
	0.5 ... 12 bar, manually operated			-D7	
	0.5 ... 16 bar, manually operated			-D8	
	Max. 16 bar, pneumatically actuated (pressure range defined by means of pilot regulator)		3 4	-PO	
	0.15 ... 6 bar, solenoid actuated (pilot control via proportional pressure regulator)		3 4	-PE6	

3 LD, PO, PE6 Not with integrated lock E11

4 PO, PE6 Not with rotary knob alternative LD
Not with integrated lock AS

Transfer order code

535021	MS	12	- LR	-		-	
--------	----	----	------	---	--	---	--

Pressure regulators MS12-LR, MS series

Ordering data – Modular products

→ **0 Options**

Pressure gauge alternatives	Alternative pressure gauge scale	Rotary knob alternative	Security	Type of mounting	Alternative flow direction
VS A4	PSI MPA	LD	AS E11	WP	Z
- VS	-	- LD	- AS	-	- Z

Ordering table

Grid dimension	[mm]	124	Condition s	Code	Enter code
0 Pressure gauge alternatives	Cover plate			-VS	
	Adapter plate for EN pressure gauge 1/4, without pressure gauge			-A4	
Alternative pressure gauge scale	psi		1	-PSI	
	MPa		1	-MPA	
Rotary knob alternative	Long rotary knob		2 3	-LD	
Security	Lockable via accessories			-AS	
	With integrated lock		2	-E11	
Type of mounting	Mounting bracket		5	-WP	
Alternative flow direction	Flow direction from right to left			-Z	

- 1 **PSI, MPA** Not with pressure gauge alternatives VS, A4
- 2 **LD, E11** When selecting D6/D7/D8, rotary knob alternative LD or integrated lock E11 must be selected
- 3 **LD, PO, PE6** Not with integrated lock E11
- 5 **WP** Only with sub-base AGF, AGG, AGH or AGI


Transfer order code



- - - - - -



Pressure regulators MS-LR/LRB/LRP/LRPB/LRE, MS series

FESTO


Accessories

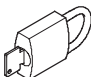
Ordering data – Pressure gauge MA						
	Nominal size	Pneumatic connection	Indicating range		Part No. Type	
			[bar]	[psi]		
	Pressure gauge MA, EN 837-1 Technical data → Internet: ma					
	40	R $\frac{1}{4}$	0 ... 16	0 ... 232	187080	MA-40-16-R $\frac{1}{4}$ -EN
			0 ... 25	0 ... 360	187081	MA-40-25-R $\frac{1}{4}$ -EN
		G $\frac{1}{4}$	0 ... 16	0 ... 232	183901	MA-40-16-G $\frac{1}{4}$ -EN
	Pressure gauge MA, EN 837-1, with red/green range Technical data → Internet: ma					
	40	R $\frac{1}{8}$	0 ... 16	–	525726	MA-40-16-R $\frac{1}{8}$ -E-RG
	50	R $\frac{1}{4}$	0 ... 16	–	525729	MA-50-16-R $\frac{1}{4}$ -E-RG
	Precision pressure gauge MAP, EN 837-1 Technical data → Internet: map					
	40	R $\frac{1}{8}$	0 ... 1	0 ... 15	161126	MAP-40-1- $\frac{1}{8}$ -EN
			0 ... 4	0 ... 58	162842	MAP-40-4- $\frac{1}{8}$ -EN
0 ... 6			0 ... 87	161127	MAP-40-6- $\frac{1}{8}$ -EN	
0 ... 16			0 ... 232	161128	MAP-40-16- $\frac{1}{8}$ -EN	

Ordering data – Connecting cable NEBU-M8					Technical data → Internet: nebu	
	Electrical connection	Number of wires	Cable length [m]	Part No.	Type	
	M8x1, straight socket	3	2.5	541333	NEBU-M8G3-K-2.5-LE3	
			5	541334	NEBU-M8G3-K-5-LE3	
	M8x1, angled socket	3	2.5	541338	NEBU-M8W3-K-2.5-LE3	
			5	541341	NEBU-M8W3-K-5-LE3	

Ordering data – Connecting cable NEBU-M12					Technical data → Internet: nebu	
	Electrical connection	Number of wires	Cable length [m]	Part No.	Type	
	M12x1, straight socket	4	2.5	550326	NEBU-M12G5-K-2.5-LE4	
			5	541328	NEBU-M12G5-K-5-LE4	
		5	2.5	541330	NEBU-M12G5-K-2.5-LE5	
			5	541331	NEBU-M12G5-K-5-LE5	
	M12x1, angled socket	4	2.5	550325	NEBU-M12W5-K-2.5-LE4	
			5	541329	NEBU-M12W5-K-5-LE4	

Ordering data – Sensor socket SIE-GD				Technical data → Internet: sie-gd	
	Electrical connection	Part No.	Type		
	M12x1, 4-pin	18494	SIE-GD		

Ordering data – Angled plug socket SIE-WD				Technical data → Internet: sie-wd	
	Electrical connection	Part No.	Type		
	M12x1, 4-pin	12956	SIE-WD-TR		

Ordering data – Padlock LRVS-D				
	Weight [g]	Part No.	Type	
	120	193786	LRVS-D	

Product Range and Company Overview

A Complete Suite of Automation Services

Our experienced engineers provide complete support at every stage of your development process, including: conceptualization, analysis, engineering, design, assembly, documentation, validation, and production.



Custom Automation Components
Complete custom engineered solutions



Custom Control Cabinets
Comprehensive engineering support and on-site services



Complete Systems
Shipment, stocking and storage services

The Broadest Range of Automation Components

With a comprehensive line of more than 30,000 automation components, Festo is capable of solving the most complex automation requirements.



Electromechanical
Electromechanical actuators, motors, controllers & drives



Pneumatics
Pneumatic linear and rotary actuators, valves, and air supply



PLCs and I/O Devices
PLC's, operator interfaces, sensors and I/O devices

Supporting Advanced Automation... As No One Else Can!

Festo is a leading global manufacturer of pneumatic and electromechanical systems, components and controls for industrial automation, with more than 12,000 employees in 56 national headquarters serving more than 180 countries. For more than 80 years, Festo has continuously elevated the state of manufacturing with innovations and optimized motion control solutions that deliver higher performing, more profitable automated manufacturing and processing equipment. Our dedication to the advancement of automation extends beyond technology to the education and development of current and future automation and robotics designers with simulation tools, teaching programs, and on-site services.

Quality Assurance, ISO 9001 and ISO 14001 Certifications

Festo Corporation is committed to supply all Festo products and services that will meet or exceed our customers' requirements in product quality, delivery, customer service and satisfaction.

To meet this commitment, we strive to ensure a consistent, integrated, and systematic approach to management that will meet or exceed the requirements of the ISO 9001 standard for Quality Management and the ISO 14001 standard for Environmental Management.



© Copyright 2008, Festo Corporation. While every effort is made to ensure that all dimensions and specifications are correct, Festo cannot guarantee that publications are completely free of any error, in particular typing or printing errors. Accordingly, Festo cannot be held responsible for the same. For Liability and Warranty conditions, refer to our "Terms and Conditions of Sale", available from your local Festo office. All rights reserved. No part of this publication may be reproduced, distributed, or transmitted in any form or by any means, electronic, mechanical, photocopying or otherwise, without the prior written permission of Festo. All technical data subject to change according to technical update.



Printed on recycled paper at New Horizon Graphic, Inc., FSC certified as an environmentally friendly printing plant.

Festo North America

Festo Regional Contact Center

5300 Explorer Drive
Mississauga, Ontario L4W 5G4
Canada

USA Customers:

For ordering assistance,

Call: 1.800.99.FESTO (1.800.993.3786)

Fax: 1.800.96.FESTO (1.800.963.3786)

Email: customer.service@us.festo.com

For technical support,

Call: 1.866.GO.FESTO (1.866.463.3786)

Fax: 1.800.96.FESTO (1.800.963.3786)

Email: product.support@us.festo.com

Canadian Customers:

Call: 1.877.GO.FESTO (1.877.463.3786)

Fax: 1.877.FX.FESTO (1.877.393.3786)

Email: festo.canada@ca.festo.com

USA Headquarters

Festo Corporation
395 Moreland Road
P.O. Box 18023
Hauppauge, NY 11788, USA
www.festo.com/us

USA Sales Offices

Appleton

North 922 Tower View Drive, Suite N
Greenville, WI 54942, USA

Boston

120 Presidential Way, Suite 330
Woburn, MA 01801, USA

Chicago

1441 East Business Center Drive
Mt. Prospect, IL 60056, USA

Dallas

1825 Lakeway Drive, Suite 600
Lewisville, TX 75057, USA

Detroit – Automotive Engineering Center

2601 Cambridge Court, Suite 320
Auburn Hills, MI 48326, USA

New York

395 Moreland Road
Hauppauge, NY 11788, USA

Silicon Valley

4935 Southfront Road, Suite F
Livermore, CA 94550, USA

United States



USA Headquarters, East: Festo Corp., 395 Moreland Road, Hauppauge, NY 11788

Phone: 1.631.435.0800; Fax: 1.631.435.8026;

Email: info@festo-usa.com

www.festo.com/us

Canada



Headquarters: Festo Inc., 5300 Explorer Drive, Mississauga, Ontario L4W 5G4

Phone: 1.905.624.9000; Fax: 1.905.624.9001;

Email: festo.canada@ca.festo.com

www.festo.ca

Mexico



Headquarters: Festo Pneumatic, S.A., Av. Ceylán 3, Col. Tequesquahuac,
54020 Tlalneantla, Edo. de México

Phone: 011 52 [55] 53 21 66 00; Fax: 011 52 [55] 53 21 66 65;

Email: festo.mexico@mx.festo.com

www.festo.com/mx

Central USA

Festo Corporation
1441 East Business
Center Drive
Mt. Prospect, IL 60056, USA
Phone: 1.847.759.2600
Fax: 1.847.768.9480



Western USA

Festo Corporation
4935 Southfront Road,
Suite F
Livermore, CA 94550, USA
Phone: 1.925.371.1099
Fax: 1.925.245.1286



Festo Worldwide

Argentina Australia Austria Belarus Belgium Brazil Bulgaria Canada Chile China Colombia Croatia Czech Republic Denmark
Estonia Finland France Germany Great Britain Greece Hong Kong Hungary India Indonesia Iran Ireland Israel Italy Japan Latvia
Lithuania Malaysia Mexico Netherlands New Zealand Norway Peru Philippines Poland Romania Russia Serbia Singapore
Slovakia Slovenia South Africa South Korea Spain Sweden Switzerland Taiwan Thailand Turkey Ukraine United States Venezuela

www.festo.com