





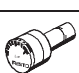




# Pressure gauges



# Pressure gauges

Product range overview

**FESTO**

Type	Pneumatic connection	Nominal size							Display unit			Red/green range	→ Page/Internet
		15	23	26	27	40	50	63	bar	MPa	psi		
Pressure gauge <b>MA-...-EN</b>	 R $\frac{1}{8}$ , R $\frac{1}{4}$ , G $\frac{1}{4}$	-	-	-	-	■	■	■	■	-	■	-	3
Pressure gauge with red/green range <b>MA-...-RG</b>	 R $\frac{1}{8}$ , R $\frac{1}{4}$	-	-	-	-	■	■	■	■	■	■	■	6
Pressure gauge <b>MA</b>	 M5, R $\frac{1}{8}$ , G $\frac{1}{8}$ , G $\frac{1}{4}$	■	■	-	■	■	■	■	■	■	■	-	9
Precision pressure gauge <b>MAP</b>	 R $\frac{1}{8}$	-	-	-	-	■	-	-	■	-	■	-	13
Pressure gauge <b>MA-...-QS</b>	 QS-4, QS-6, QS-8	■	-	-	-	-	-	-	■	-	-	-	14
Flanged pressure gauge <b>FMA-...-EN</b>	 G $\frac{1}{4}$	-	-	-	-	■	■	■	■	-	■	-	15
Flanged pressure gauge <b>FMA</b>	 G $\frac{1}{4}$	-	-	-	-	-	-	■	■	-	■	-	17
Precision flanged pressure gauge <b>FMAP</b>	 G $\frac{1}{4}$	-	-	-	-	-	-	■	■	-	■	-	18
Pressure gauge <b>PAGN</b>	 For QSP10	-	-	■	-	■	-	-	■	■	■	-	20

# Pressure gauges MA-EN

Technical data

Function



Temperature range  
-20 ... +60 °C



Technical data						
Nominal size	40			50	63	
Pneumatic connection	R $\frac{1}{8}$	R $\frac{1}{4}$	G $\frac{1}{4}$	G $\frac{1}{4}$	G $\frac{1}{4}$	
Operating medium	Inert gases Neutral liquids					
Note on operating/pilot medium	No oxygen No acetylene					
Design	Bourdon tube pressure gauge					
Conforms to	EN 837-1					
Type of mounting	Inline installation					
Connection position	Centred, rear side					
Ambient temperature [°C]	-20 ... +60					
Temperature of medium [°C]	-20 ... +60 <sup>1)</sup>					
Measurement accuracy class	2.5					
Continuous load factor	0.75					
Intermittent load factor	0.66					
Protection class	IP43					
For MS series service units	MS4	MS4/MS6/MS9/MS12		-	-	
Weight [g]	60	70	70	70	80	

1) With a media temperature below 0 °C, the operating medium should be dry.

Materials						
Nominal size	40			50	63	
Pneumatic connection	R $\frac{1}{8}$	R $\frac{1}{4}$	G $\frac{1}{4}$	G $\frac{1}{4}$	G $\frac{1}{4}$	
Housing	Acrylic butadiene styrene (colour: black)					
Inspection window	Polystyrene					
Threaded plug	Brass					
Materials in contact with the medium	Brass					
Note on materials	RoHS-compliant					

Display range						
Nominal size	40			50	63	
Pneumatic connection	R $\frac{1}{8}$	R $\frac{1}{4}$	G $\frac{1}{4}$	G $\frac{1}{4}$	G $\frac{1}{4}$	
[bar]	[psi]					
0 ... 1	0 ... 14.5	-	-	-	-	■
0 ... 2.5	0 ... 36	-	-	-	■	■
0 ... 6	0 ... 87	-	■	■	-	-
0 ... 10	0 ... 145	■	■	■	■	■
0 ... 16	0 ... 232	-	■	■	■	■
0 ... 25	0 ... 360	■	■	-	-	-

# Pressure gauges MA-EN

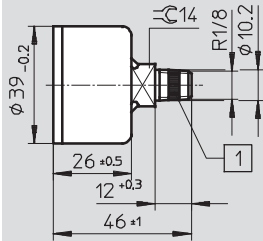
Technical data

FESTO

## Dimensions

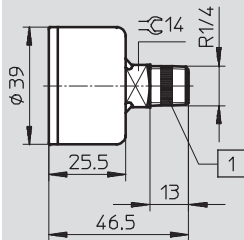
Download CAD Data → [www.festo.com/us/cad](http://www.festo.com/us/cad)

### MA-40, R $\frac{1}{8}$



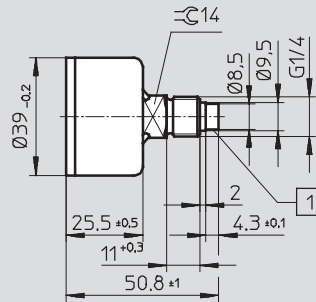
- 1 PTFE seal with  
MA-40-25- $\frac{1}{8}$ -EN

### MA-40, R $\frac{1}{4}$



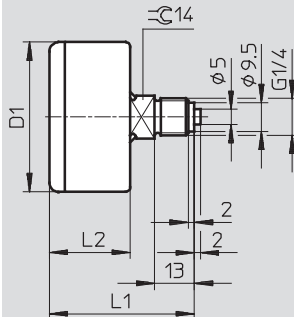
- 1 PTFE seal

### MA-40, G $\frac{1}{4}$



- 1 With pre-assembled PTFE  
sealing ring

### MA-50/63, G $\frac{1}{4}$



Type	D1 Ø	L1	L2
MA-50	49	47.5	26.5
MA-63	61.5	48.5	27.5

# Pressure gauges MA-EN

Technical data

**FESTO**

Ordering data						
Nominal size	Pneumatic connection	Operating pressure	Display range		Part No.	Type
			[bar]	[psi]		
40	R $\frac{1}{8}$	0 ... 10 bar	0 ... 10	0 ... 145	162835	MA-40-10- $\frac{1}{8}$ -EN
		0 ... 25 bar	0 ... 25	0 ... 360	526167	MA-40-25- $\frac{1}{8}$ -EN
	R $\frac{1}{4}$	0 ... 6 bar	0 ... 6	0 ... 87	187078	MA-40-6-R $\frac{1}{4}$ -EN
		0 ... 10 bar	0 ... 10	0 ... 145	187079	MA-40-10-R $\frac{1}{4}$ -EN
		0 ... 16 bar	0 ... 16	0 ... 232	187080	MA-40-16-R $\frac{1}{4}$ -EN
		0 ... 25 bar	0 ... 25	0 ... 360	187081	MA-40-25-R $\frac{1}{4}$ -EN
	G $\frac{1}{4}$	0 ... 6 bar	0 ... 6	0 ... 87	183899	MA-40-6-G $\frac{1}{4}$ -EN
		0 ... 10 bar	0 ... 10	0 ... 145	183900	MA-40-10-G $\frac{1}{4}$ -EN
		0 ... 16 bar	0 ... 16	0 ... 232	183901	MA-40-16-G $\frac{1}{4}$ -EN
50	G $\frac{1}{4}$	0 ... 2.5 bar	0 ... 2.5	0 ... 36	162837	MA-50-2,5- $\frac{1}{4}$ -EN
		0 ... 10 bar	0 ... 10	0 ... 145	162838	MA-50-10- $\frac{1}{4}$ -EN
		0 ... 16 bar	0 ... 16	0 ... 232	162839	MA-50-16- $\frac{1}{4}$ -EN
63	G $\frac{1}{4}$	0 ... 1 bar	0 ... 1	0 ... 14.5	162844	MA-63-1- $\frac{1}{4}$ -EN
		0 ... 2.5 bar	0 ... 2.5	0 ... 36	162845	MA-63-2,5- $\frac{1}{4}$ -EN
		0 ... 10 bar	0 ... 10	0 ... 145	162840	MA-63-10- $\frac{1}{4}$ -EN
		0 ... 16 bar	0 ... 16	0 ... 232	162841	MA-63-16- $\frac{1}{4}$ -EN

# Pressure gauges MA-RG, with red/green range

Technical data

FESTO

Function



Temperature range

-20 ... +60 °C



The adjustable red/green range provides additional safety when monitoring compressed air.

With the two red segments above the pressure gauge scale along with the printed green segment it is possible to

individually limit the desired pressure range. This coloured demarcation enables you to recognise immediately

whether or not the pressure is in the permitted tolerance range.

Technical data			
Nominal size	40	50	63
Pneumatic connection	R $\frac{1}{8}$	R $\frac{1}{4}$	R $\frac{1}{4}$
Operating medium	Inert gases Neutral liquids		
Note on operating/pilot medium	No oxygen No acetylene		
Design	Bourdon tube pressure gauge		
Conforms to	EN 837-1		
Type of mounting	Inline installation		
Connection position	Centred, rear side		
Ambient temperature [°C]	-20 ... +60		
Temperature of medium [°C]	-20 ... +60 <sup>1)</sup>		
Measurement accuracy class	2.5		
Continuous load factor	0.75		
Intermittent load factor	0.66		
Protection class	IP43		
For MS series service units	MS4	MS4/MS6/MS9/MS12	-
Weight [g]	60	75	90

1) With a media temperature below 0 °C, the operating medium should be dry.

Materials	
Housing	Acrylic butadiene styrene (colour: black)
Inspection window	Polymethyl methacrylate
Threaded plug/ materials in contact with the medium	Brass
Note on materials	RoHS-compliant

# Pressure gauges MA-RG, with red/green range

Technical data

Display range			
Nominal size	40	50	63
Pneumatic connection	R $\frac{1}{8}$	R $\frac{1}{4}$	R $\frac{1}{4}$
[bar]			
0 ... 2.5	■	■	■
0 ... 10	■	■	■
0 ... 16	■	■	■
[MPa]			
0 ... 0.25	-	■	■
0 ... 1	■	■	■
0 ... 1.6	■	■	■
[psi]			
0 ... 36	-	■	■
0 ... 145	■	■	■
0 ... 232	■	■	■

**Dimensions** Download CAD Data → [www.festo.com/us/cad](http://www.festo.com/us/cad)

MA-...-E-RG

coated with thread sealing compound

Type	D1 ∅ ±0.5	D2	L1 ±1	L2 ±0.5	L3
MA-40-...-E-RG	39	R $\frac{1}{8}$	46	28	10
MA-50-...-E-RG	49	R $\frac{1}{4}$	49	28	13
MA-63-...-E-RG	61.5	R $\frac{1}{4}$	50.5	29.5	13

# Pressure gauges MA-RG, with red/green range

FESTO

Technical data

Ordering data					
Nominal size	Pneumatic connection	Operating pressure	Display range	Part No.	Type
Display unit [bar]					
40	R $\frac{1}{8}$	0 ... 2.5 bar	0 ... 2.5	546963	MA-40-2,5-R $\frac{1}{8}$ -E-RG
		0 ... 10 bar	0 ... 10	525725	MA-40-10-R $\frac{1}{8}$ -E-RG
		0 ... 16 bar	0 ... 16	525726	MA-40-16-R $\frac{1}{8}$ -E-RG
50	R $\frac{1}{4}$	0 ... 2.5 bar	0 ... 2.5	525727	MA-50-2,5-R $\frac{1}{4}$ -E-RG
		0 ... 10 bar	0 ... 10	525728	MA-50-10-R $\frac{1}{4}$ -E-RG
		0 ... 16 bar	0 ... 16	525729	MA-50-16-R $\frac{1}{4}$ -E-RG
63	R $\frac{1}{4}$	0 ... 2.5 bar	0 ... 2.5	525730	MA-63-2,5-R $\frac{1}{4}$ -E-RG
		0 ... 10 bar	0 ... 10	525731	MA-63-10-R $\frac{1}{4}$ -E-RG
		0 ... 16 bar	0 ... 16	525732	MA-63-16-R $\frac{1}{4}$ -E-RG
Display unit [MPa]					
40	R $\frac{1}{8}$	0 ... 1 MPa	0 ... 1	526778	MA-40-1,0-R $\frac{1}{8}$ -MPA-E-RG
		0 ... 1.6 MPa	0 ... 1.6	526779	MA-40-1,6-R $\frac{1}{8}$ -MPA-E-RG
		0 ... 0.25 MPa	0 ... 0.25	526780	MA-50-0,25-R $\frac{1}{4}$ -MPA-E-RG
50	R $\frac{1}{4}$	0 ... 1 MPa	0 ... 1	526781	MA-50-1,0-R $\frac{1}{4}$ -MPA-E-RG
		0 ... 1.6 MPa	0 ... 1.6	526782	MA-50-1,6-R $\frac{1}{4}$ -MPA-E-RG
		0 ... 0.25 MPa	0 ... 0.25	526783	MA-63-0,25-R $\frac{1}{4}$ -MPA-E-RG
63	R $\frac{1}{4}$	0 ... 1 MPa	0 ... 1	526784	MA-63-1,0-R $\frac{1}{4}$ -MPA-E-RG
		0 ... 1.6 MPa	0 ... 1.6	526785	MA-63-1,6-R $\frac{1}{4}$ -MPA-E-RG
		Display unit [psi]			
40	R $\frac{1}{8}$	0 ... 145 psi	0 ... 145	526786	MA-40-145-R $\frac{1}{8}$ -PSI-E-RG
		0 ... 232 psi	0 ... 232	526787	MA-40-232-R $\frac{1}{8}$ -PSI-E-RG
50	R $\frac{1}{4}$	0 ... 36 psi	0 ... 36	526788	MA-50-36-R $\frac{1}{4}$ -PSI-E-RG
		0 ... 145 psi	0 ... 145	526789	MA-50-145-R $\frac{1}{4}$ -PSI-E-RG
		0 ... 232 psi	0 ... 232	526790	MA-50-232-R $\frac{1}{4}$ -PSI-E-RG
63	R $\frac{1}{4}$	0 ... 36 psi	0 ... 36	526791	MA-63-36-R $\frac{1}{4}$ -PSI-E-RG
		0 ... 145 psi	0 ... 145	526792	MA-63-145-R $\frac{1}{4}$ -PSI-E-RG
		0 ... 232 psi	0 ... 232	526793	MA-63-232-R $\frac{1}{4}$ -PSI-E-RG



# Pressure gauges MA

Technical data

FESTO

Function



Temperature range

-20 ... +60 °C



Technical data									
Nominal size	15	23	27		40		50	63	
Pneumatic connection	M5	R $\frac{1}{8}$	M5	R $\frac{1}{8}$	G $\frac{1}{8}$	G $\frac{1}{4}$	G $\frac{1}{4}$	G $\frac{1}{4}$	
Operating medium	Inert gases							Gaseous media	
	Neutral liquids							Fluid media	
Note on operating/pilot medium	No oxygen								
	No acetylene								
Design	Bourdon tube pressure gauge without measuring mechanism	Bourdon tube pressure gauge						Capsule pressure gauge	
Conforms to	EN 837-1							EN 837-3	
Type of mounting	Inline installation								
Connection position	Centred, rear side								
Ambient temperature [°C]	-20 ... +60		0 ... +60		-20 ... +60		-20 ... +60		
Temperature of medium [°C]	-20 ... +60 <sup>1)</sup>		0 ... +60		-20 ... +60 <sup>1)</sup>		-20 ... +80 <sup>1)</sup>		
Measurement accuracy class	5		4		2.5		1.6		
Continuous load factor	0.75		0.75				0.75		
Intermittent load factor	0.66	0.6	0.66				0.9		
Protection class	IP53	IP44	IP43				IP43		
For D series service units	-	-	MICRO	-	MINI	-	MIDI/MAXI		-
Weight [g]	10	27	11	8	60	70	70	180	

1) With a media temperature below 0 °C, the operating medium should be dry.

Materials									
Nominal size	15	23	27		40		50	63	
Pneumatic connection	M5	R $\frac{1}{8}$	M5	R $\frac{1}{8}$	G $\frac{1}{8}$	G $\frac{1}{4}$	G $\frac{1}{4}$	G $\frac{1}{4}$	
Housing	Steel (colour: black)	Brass (colour: black)	Polyamide (colour: black)		Acrylic butadiene styrene (colour: black)		Steel		
Inspection window	Polycarbonate		Polystyrene		Polystyrene		Polymethyl methacrylate		
Threaded plug/ materials in contact with the medium	Brass		Brass	Reinforced polyamide	Brass		Brass		
Note on materials	RoHS-compliant								

# Pressure gauges MA

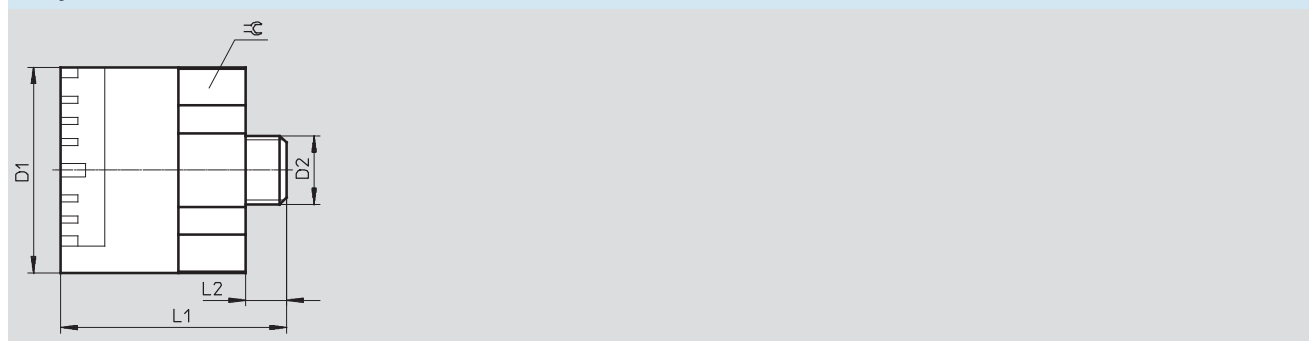
Technical data

FESTO

Display range									
Nominal size		15	23	27		40		50	63
Pneumatic connection		M5	R $\frac{1}{8}$	M5	R $\frac{1}{8}$	G $\frac{1}{8}$	G $\frac{1}{4}$	G $\frac{1}{4}$	G $\frac{1}{4}$
[bar]	[psi]								
0 ... 0.25	0 ... 3.6	-	-	-	-	-	-	-	■
0 ... 6	0 ... 87	-	■	-	-	-	-	-	-
0 ... 10	0 ... 145	-	■	-	-	■	-	■	-
0 ... 16	0 ... 232	-	■	-	■	■	-	■	-
0 ... 25	0 ... 360	-	-	-	■	-	-	-	-
[bar]									
0 ... 10		■	-	■	-	-	-	-	-
[MPa]									
0 ... 0.6		-	-	-	-	-	■	-	-
0 ... 1		-	-	■	-	■	■	■	-
0 ... 1.6		-	-	-	-	■	■	■	-
0 ... 2.5		-	-	-	-	-	■	-	-
[psi]									
0 ... 145		■	-	-	-	-	-	-	-
0 ... 160		-	-	■	-	-	-	-	-

## Dimensions

Download CAD Data → [www.festo.com/us/cad](http://www.festo.com/us/cad)



Type	D1 ∅	D2	L1	L2	☉
MA-15	15	M5	16.5	3	14

# Pressure gauges MA

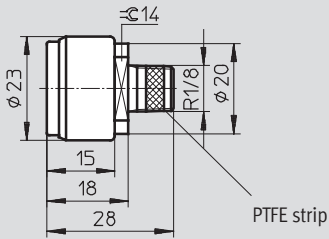
Technical data

FESTO

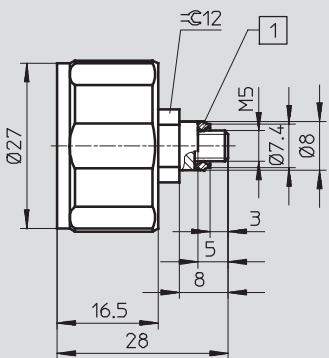
## Dimensions

Download CAD Data → [www.festo.com/us/cad](http://www.festo.com/us/cad)

### MA-23

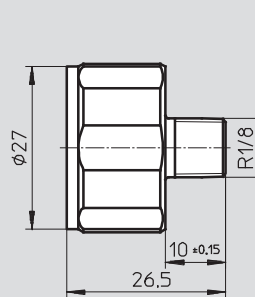


### MA-27, M5

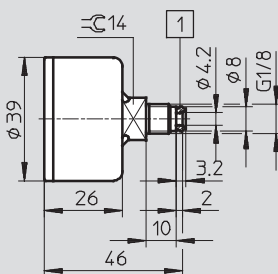


1 With pre-assembled polyamide sealing ring

### MA-27, R1/8

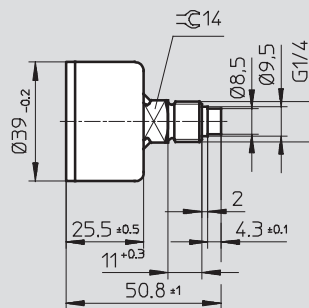


### MA-40, G1/8

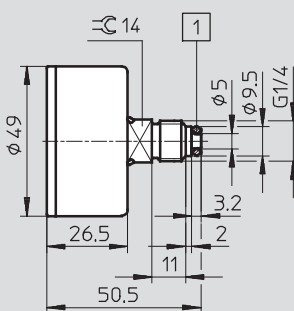


1 With pre-assembled aluminium sealing ring with MA-40-...-G1/8

### MA-40, G1/4

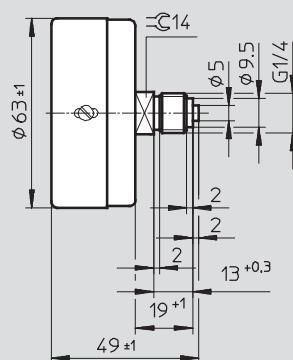


### MA-50



1 With pre-assembled aluminium sealing ring with MA-50-...-G1/4

### MA-63



# Pressure gauges MA

Technical data

FESTO

Ordering data						
Nominal size	Pneumatic connection	Operating pressure	Display range		Part No.	Type
			[bar]	[psi]		
23	R $\frac{1}{8}$	0 ... 6 bar	0 ... 6	0 ... 87	183896	MA-23-6-R $\frac{1}{8}$
		0 ... 10 bar	0 ... 10	0 ... 145	183897	MA-23-10-R $\frac{1}{8}$
		0 ... 16 bar	0 ... 16	0 ... 232	183898	MA-23-16-R $\frac{1}{8}$
27	R $\frac{1}{8}$	0 ... 16 bar	0 ... 16	0 ... 232	541733	MA-27-16-R $\frac{1}{8}$
		0 ... 25 bar	0 ... 25	0 ... 360	541734	MA-27-25-R $\frac{1}{8}$
40	G $\frac{1}{8}$	0 ... 10 bar	0 ... 10	0 ... 145	359874	MA-40-10- $\frac{1}{8}$
		0 ... 16 bar	0 ... 16	0 ... 232	345395	MA-40-16- $\frac{1}{8}$
50	G $\frac{1}{4}$	0 ... 10 bar	0 ... 10	0 ... 145	359873	MA-50-10- $\frac{1}{4}$
		0 ... 16 bar	0 ... 16	0 ... 232	356759	MA-50-16- $\frac{1}{4}$
63	G $\frac{1}{4}$	0 ... 0.25 bar	0 ... 0.25	0 ... 3.6	7169	MA-63-0,25

Ordering data						
Nominal size	Pneumatic connection	Operating pressure	Display range		Part No.	Type
			[bar]	[psi]		
Display unit [bar]						
15	M5	0 ... 10 bar	0 ... 10		132340	MA-15-10-M5
27	M5	0 ... 10 bar	0 ... 10		526323	MA-27-10-M5
Display unit [MPa]						
27	M5	0 ... 1 MPa	0 ... 1		526324	MA-27-1,0-M5-MPA
40	G $\frac{1}{8}$	0 ... 1 MPa	0 ... 1		192732	MA-40-1-G $\frac{1}{8}$ -MPA
		0 ... 1.6 MPa	0 ... 1.6		192733	MA-40-1,6-G $\frac{1}{8}$ -MPA
	G $\frac{1}{4}$	0 ... 0.6 MPa	0 ... 0.6		184285	MA-40-0,6-G $\frac{1}{4}$ -MPA
		0 ... 1 MPa	0 ... 1		184286	MA-40-1,0-G $\frac{1}{4}$ -MPA
		0 ... 1.6 MPa	0 ... 1.6		184287	MA-40-1,6-G $\frac{1}{4}$ -MPA
		0 ... 2.5 MPa	0 ... 2.5		184288	MA-40-2,5-G $\frac{1}{4}$ -MPA
50	G $\frac{1}{4}$	0 ... 1 MPa	0 ... 1		192734	MA-50-1-G $\frac{1}{4}$ -MPA
		0 ... 1.6 MPa	0 ... 1.6		192735	MA-50-1,6-G $\frac{1}{4}$ -MPA
Display unit [psi]						
15	M5	0 ... 145 psi	0 ... 145		132341	MA-15-145-M5-PSI
27	M5	0 ... 160 psi	0 ... 160		527405	MA-27-160-M5-PSI

# Precision pressure gauges MAP

FESTO

Technical data

Function



Temperature range

-20 ... +60 °C



Technical data	
Nominal size	40
Pneumatic connection	R1/8
Operating medium	Inert gases Neutral liquids
Note on operating/pilot medium	No oxygen No acetylene
Design	Bourdon tube pressure gauge
Conforms to	EN 837-1
Type of mounting	Inline installation
Connection position	Centred, rear side
Ambient temperature [°C]	-20 ... +60
Temperature of medium [°C]	-20 ... +60 <sup>1)</sup>
Measurement accuracy class	1.6
Continuous load factor	0.75
Intermittent load factor	0.66
Protection class	IP43
Weight [g]	60

1) With a media temperature below 0 °C, the operating medium should be dry.

Materials	
Housing	Acrylic butadiene styrene (colour: black)
Inspection window	Polystyrene
Threaded plug/ materials in contact with the medium	Brass
Note on materials	RoHS-compliant

**Dimensions** Download CAD Data → [www.festo.com/us/cad](http://www.festo.com/us/cad)

Ordering data						
Nominal size	Pneumatic connection	Operating pressure	Display range		Part No.	Type
			[bar]	[psi]		
40	R1/8	0 ... 1 bar	0 ... 1	0 ... 15	161126	MAP-40-1-1/8-EN
		0 ... 4 bar	0 ... 4	0 ... 58	162842	MAP-40-4-1/8-EN
		0 ... 6 bar	0 ... 6	0 ... 87	161127	MAP-40-6-1/8-EN
		0 ... 16 bar	0 ... 16	0 ... 232	161128	MAP-40-16-1/8-EN

# Pressure gauges MA-QS

FESTO

Technical data

Function



Temperature range

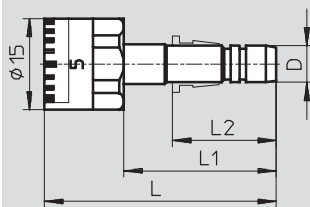
-20 ... +60 °C



Technical data	
Nominal size	15
Pneumatic connection	QS-4      QS-6      QS-8
Operating medium	Inert gases Neutral liquids
Note on operating/pilot medium	No oxygen No acetylene
Design	Bourdon tube pressure gauge without measuring mechanism
Conforms to	EN 837-1
Type of mounting	Inline installation
Connection position	Centred, rear side
Ambient temperature [°C]	-20 ... +60
Temperature of medium [°C]	-20 ... +60
Measurement accuracy class	5
Continuous load factor	0.75
Intermittent load factor	0.66
Protection class	IP53
Weight [g]	10

Materials	
Housing	Steel (colour: black)
Inspection window	Polycarbonate
Threaded plug/ materials in contact with the medium	Brass
Note on materials	RoHS-compliant

## Dimensions Download CAD Data → [www.festo.com/us/cad](http://www.festo.com/us/cad)



Dimensions and ordering data								
Nominal size	Pneumatic connection D	L	L1	L2	Operating pressure	Display range	Part No.	Type
						[bar]		
15	QS-4	36	23	15	0 ... 10 bar	0 ... 10	153383	MA-15-10-QS-4
	QS-6	38	25	17	0 ... 10 bar	0 ... 10	153384	MA-15-10-QS-6
	QS-8	34	21	18.5	0 ... 10 bar	0 ... 10	153385	MA-15-10-QS-8

# Flanged pressure gauges FMA-EN

Technical data

Function



Temperature range

-20 ... +60 °C



Technical data			
Nominal size	40	50	63
Pneumatic connection	G $\frac{1}{4}$	G $\frac{1}{4}$	G $\frac{1}{4}$
Operating medium	Inert gases Neutral fluids		
Note on operating/pilot medium	No oxygen No acetylene		
Design	Bourdon tube pressure gauge		
Conforms to	EN 837-1		
Type of mounting	Front panel mounting		
Connection position	Centred, rear side		
Ambient temperature [°C]	-20 ... +60		
Temperature of medium [°C]	-20 ... +60 <sup>1)</sup>		
Measurement accuracy class	2.5		
Continuous load factor	0.75		
Intermittent load factor	0.66		
Protection class	IP43		
Weight [g]	80	100	120

1) With a media temperature below 0 °C, the operating medium should be dry.

Materials	
Housing	Acrylic butadiene styrene (colour: black)
Inspection window	Styrene acrylonitrile copolymer
Mounting ring	Steel
Threaded plug/ materials in contact with the medium	Brass
Note on materials	RoHS-compliant

Display range			
Nominal size	40	50	63
Pneumatic connection	G $\frac{1}{4}$	G $\frac{1}{4}$	G $\frac{1}{4}$
[bar]	[psi]		
0 ... 2.5	0 ... 36	-	■
0 ... 10	0 ... 145	■	■
0 ... 16	0 ... 232	■	■

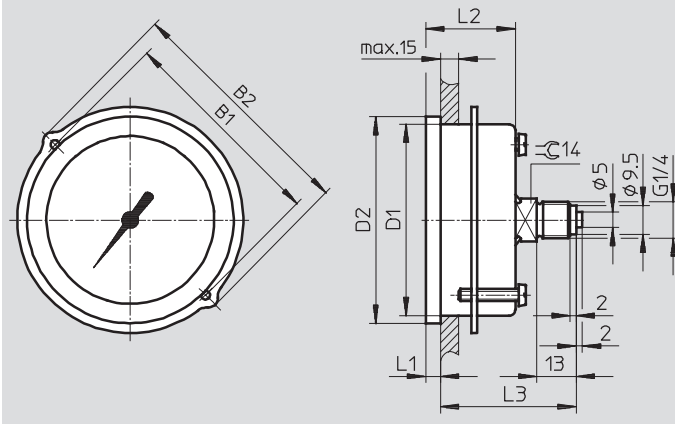
# Flanged pressure gauges FMA-EN

Technical data

FESTO

## Dimensions

Download CAD Data → [www.festo.com/us/cad](http://www.festo.com/us/cad)



Type	B1	B2	D1 Ø	D2 Ø	L1	L2	L3
FMA-40	48	56	40	45	4.5	26.5	43
FMA-50	57	66	49.5	54	4.5	26.8	43.3
FMA-63	70	79	63	68	4.8	29.5	42.5

## Ordering data

Nominal size	Pneumatic connection	Operating pressure	Display range		Part No.	Type
			[bar]	[psi]		
40	G1/4	0 ... 10 bar	0 ... 10	0 ... 145	159596	FMA-40-10-1/4-EN
		0 ... 16 bar	0 ... 16	0 ... 232	159597	FMA-40-16-1/4-EN
50	G1/4	0 ... 2.5 bar	0 ... 2.5	0 ... 36	159598	FMA-50-2,5-1/4-EN
		0 ... 10 bar	0 ... 10	0 ... 145	159599	FMA-50-10-1/4-EN
		0 ... 16 bar	0 ... 16	0 ... 232	159600	FMA-50-16-1/4-EN
63	G1/4	0 ... 2.5 bar	0 ... 2.5	0 ... 36	159601	FMA-63-2,5-1/4-EN
		0 ... 10 bar	0 ... 10	0 ... 145	159602	FMA-63-10-1/4-EN
		0 ... 16 bar	0 ... 16	0 ... 232	159603	FMA-63-16-1/4-EN



# Flanged pressure gauges FMA

FESTO

Technical data

Function



Temperature range

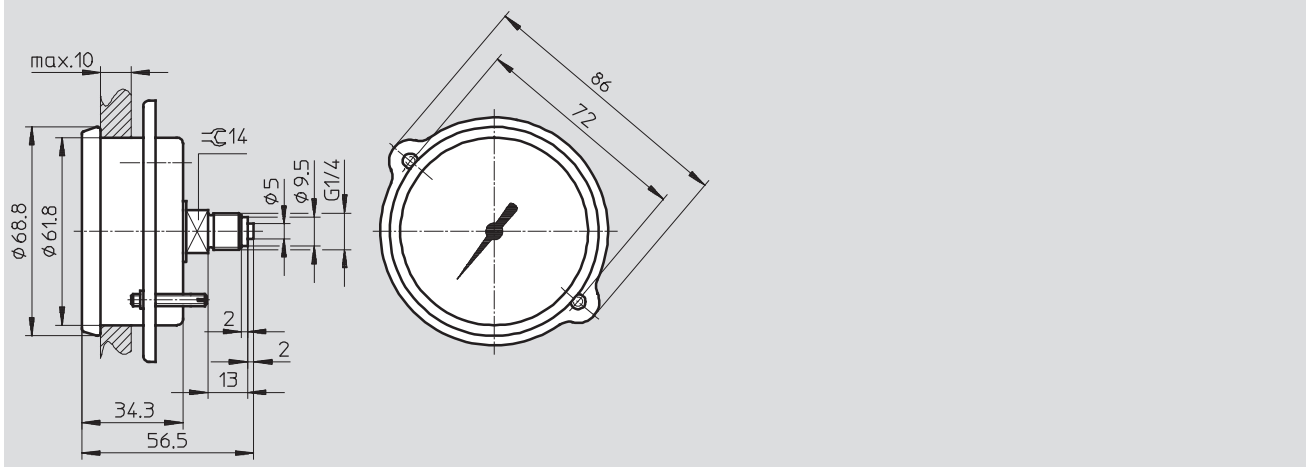
-20 ... +60 °C



Technical data	
Nominal size	63
Pneumatic connection	G1/4
Operating medium	Gaseous media
	Fluid media
Note on operating/pilot medium	No oxygen
	No acetylene
Design	Capsule pressure gauge
Conforms to	EN 837-3
Type of mounting	Front panel mounting
Connection position	Centred, rear side
Ambient temperature [°C]	-20 ... +60
Temperature of medium [°C]	-20 ... +80
Measurement accuracy class	1.6
Continuous load factor	0.75
Intermittent load factor	0.9
Protection class	IP43
Weight [g]	120

Materials	
Housing	Steel
Inspection window	Polymethyl methacrylate
Mounting ring/screws	Steel
Threaded plug	Brass

## Dimensions Download CAD Data → [www.festo.com/us/cad](http://www.festo.com/us/cad)



Ordering data					
Nominal size	Pneumatic connection	Operating pressure	Display range		Part No. Type
			[bar]	[psi]	
63	G1/4	0 ... 0.25 bar	0 ... 0.25	0 ... 3.6	225783 FMA-63-0,25-C

# Precision flanged pressure gauges FMAP

Technical data

FESTO

Function



Temperature range

-20 ... +60 °C

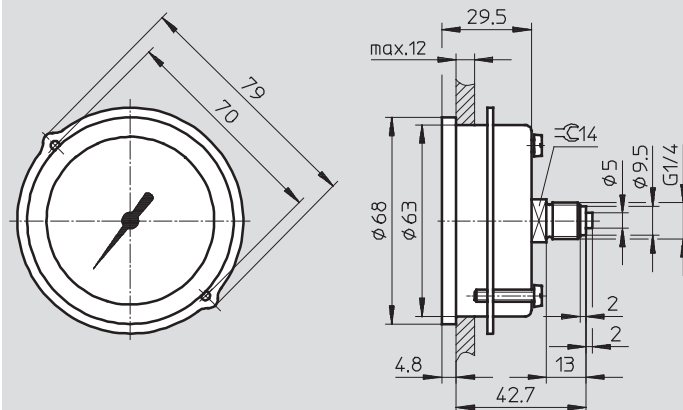


Technical data	
Nominal size	63
Pneumatic connection	G $\frac{1}{4}$
Operating medium	Inert gases Neutral liquids
Note on operating/pilot medium	No oxygen No acetylene
Design	Bourdon tube pressure gauge
Conforms to	EN 837-1
Type of mounting	Front panel mounting
Connection position	Centred, rear side
Ambient temperature [°C]	-20 ... +60
Temperature of medium [°C]	-20 ... +60 <sup>1)</sup>
Measurement accuracy class	1.0
Continuous load factor	0.75
Intermittent load factor	0.66
Protection class	IP43
Weight [g]	120

1) With a media temperature below 0 °C, the operating medium should be dry.

Materials	
Housing	Acrylic butadiene styrene (colour: black)
Inspection window	Styrene acrylonitrile copolymer
Mounting ring	Steel
Threaded plug/ materials in contact with the medium	Brass
Note on materials	RoHS-compliant

## Dimensions Download CAD Data → [www.festo.com/us/cad](http://www.festo.com/us/cad)



# Precision flanged pressure gauges FMAP

Technical data

Ordering data						
Nominal size	Pneumatic connection	Operating pressure	Display range		Part No.	Type
			[bar]	[psi]		
63	G $\frac{1}{4}$	0 ... 1 bar	0 ... 1	0 ... 15	161129	FMAP-63-1- $\frac{1}{4}$ -EN
		0 ... 4 bar	0 ... 4	0 ... 58	162843	FMAP-63-4- $\frac{1}{4}$ -EN
		0 ... 6 bar	0 ... 6	0 ... 87	161130	FMAP-63-6- $\frac{1}{4}$ -EN
		0 ... 16 bar	0 ... 16	0 ... 232	161131	FMAP-63-16- $\frac{1}{4}$ -EN

# Pressure gauges PAGN

FESTO

Technical data

Function



Temperature range

-20 ... +60 °C



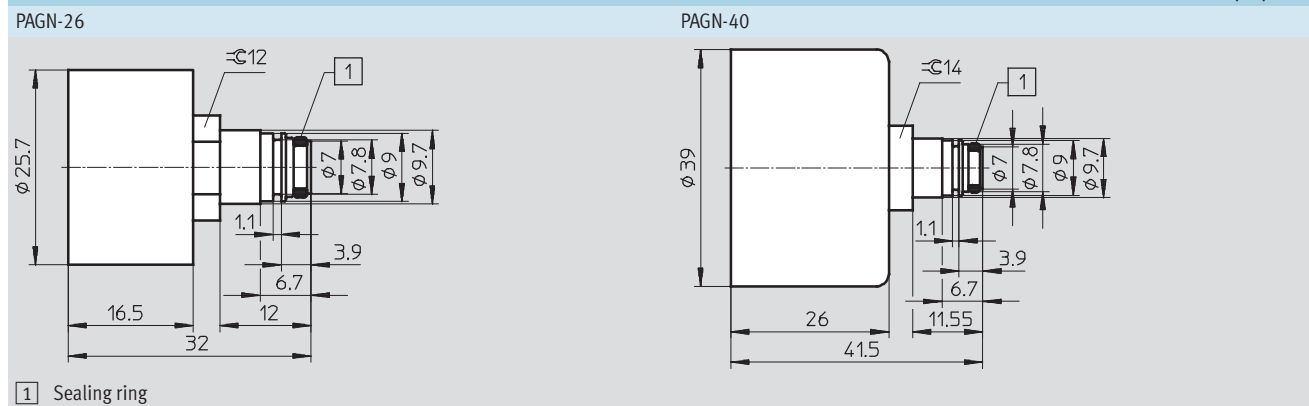
Technical data		
Nominal size	26	40
Pneumatic connection	For QSP10	For QSP10
Operating medium	Inert gases	
	Neutral liquids	
Note on operating/pilot medium	No oxygen	
	No acetylene	
Design	Bourdon tube pressure gauge	
Conforms to	EN 837-1	
Type of mounting	Inline installation	
Connection position	Centred, rear side	
Ambient temperature [°C]	-20 ... +60	
Temperature of medium [°C]	-20 ... +60 <sup>1)</sup>	
Measurement accuracy class	4.0	2.5
Continuous load factor	0.75	
Intermittent load factor	0.66	
Protection class	IP43	
	NEMA 4	
Weight [g]	15	50

1) With a media temperature below 0 °C, the operating medium should be dry.

Materials		
Housing	Polyamide (colour: black)	Acrylic butadiene styrene (colour: black)
Inspection window	Polystyrene	
Threaded plug/ materials in contact with the medium	Brass	
Note on materials	RoHS-compliant	

## Dimensions

Download CAD Data → [www.festo.com/us/cad](http://www.festo.com/us/cad)



# Pressure gauges PAGN

Technical data

**FESTO**

Ordering data						
Nominal size	Pneumatic connection	Operating pressure	Display range		Part No.	Type
			Outer scale	Inner scale		
Outer scale in bar, inner scale in psi						
26	For QSP10	0 ... 10 bar	0 ... 10 bar	0 ... 145 psi	<b>543488</b>	<b>PAGN-26-10-P10</b>
		0 ... 16 bar	0 ... 16 bar	0 ... 232 psi	<b>543487</b>	<b>PAGN-26-16-P10</b>
40	For QSP10	0 ... 10 bar	0 ... 10 bar	0 ... 145 psi	<b>548009</b>	<b>PAGN-40-10-P10</b>
		0 ... 16 bar	0 ... 16 bar	0 ... 232 psi	<b>548010</b>	<b>PAGN-40-16-P10</b>
Outer scale in psi, inner scale in bar						
26	For QSP10	0 ... 145 psi	0 ... 145 psi	0 ... 10 bar	<b>563732</b>	<b>PAGN-26-145P-P10</b>
		0 ... 232 psi	0 ... 232 psi	0 ... 16 bar	<b>563731</b>	<b>PAGN-26-232P-P10</b>
40	For QSP10	0 ... 145 psi	0 ... 145 psi	0 ... 10 bar	<b>563734</b>	<b>PAGN-40-145P-P10</b>
		0 ... 232 psi	0 ... 232 psi	0 ... 16 bar	<b>563733</b>	<b>PAGN-40-232P-P10</b>
Outer scale in MPa						
26	For QSP10	0 ... 1 MPa	0 ... 1 MPa	–	<b>563736</b>	<b>PAGN-26-1M-P10</b>
		0 ... 1.6 MPa	0 ... 1.6 MPa	–	<b>563735</b>	<b>PAGN-26-1.6M-P10</b>
40	For QSP10	0 ... 1 MPa	0 ... 1 MPa	–	<b>563738</b>	<b>PAGN-40-1M-P10</b>
		0 ... 1.6 MPa	0 ... 1.6 MPa	–	<b>563737</b>	<b>PAGN-40-1.6M-P10</b>

# Product Range and Company Overview

## A Complete Suite of Automation Services

Our experienced engineers provide complete support at every stage of your development process, including: conceptualization, analysis, engineering, design, assembly, documentation, validation, and production.



**Custom Automation Components**  
Complete custom engineered solutions



**Custom Control Cabinets**  
Comprehensive engineering support and on-site services



**Complete Systems**  
Shipment, stocking and storage services

## The Broadest Range of Automation Components

With a comprehensive line of more than 30,000 automation components, Festo is capable of solving the most complex automation requirements.



**Electromechanical**  
Electromechanical actuators, motors, controllers & drives



**Pneumatics**  
Pneumatic linear and rotary actuators, valves, and air supply



**PLCs and I/O Devices**  
PLC's, operator interfaces, sensors and I/O devices

## Supporting Advanced Automation... As No One Else Can!

Festo is a leading global manufacturer of pneumatic and electromechanical systems, components and controls for industrial automation, with more than 12,000 employees in 56 national headquarters serving more than 180 countries. For more than 80 years, Festo has continuously elevated the state of manufacturing with innovations and optimized motion control solutions that deliver higher performing, more profitable automated manufacturing and processing equipment. Our dedication to the advancement of automation extends beyond technology to the education and development of current and future automation and robotics designers with simulation tools, teaching programs, and on-site services.

## Quality Assurance, ISO 9001 and ISO 14001 Certifications

Festo Corporation is committed to supply all Festo products and services that will meet or exceed our customers' requirements in product quality, delivery, customer service and satisfaction.

To meet this commitment, we strive to ensure a consistent, integrated, and systematic approach to management that will meet or exceed the requirements of the ISO 9001 standard for Quality Management and the ISO 14001 standard for Environmental Management.



© Copyright 2008, Festo Corporation. While every effort is made to ensure that all dimensions and specifications are correct, Festo cannot guarantee that publications are completely free of any error, in particular typing or printing errors. Accordingly, Festo cannot be held responsible for the same. For Liability and Warranty conditions, refer to our "Terms and Conditions of Sale", available from your local Festo office. All rights reserved. No part of this publication may be reproduced, distributed, or transmitted in any form or by any means, electronic, mechanical, photocopying or otherwise, without the prior written permission of Festo. All technical data subject to change according to technical update.



Printed on recycled paper at New Horizon Graphic, Inc., FSC certified as an environmentally friendly printing plant.

# Festo North America

## Festo Regional Contact Center

5300 Explorer Drive  
Mississauga, Ontario L4W 5G4  
Canada

### USA Customers:

For ordering assistance,

**Call:** 1.800.99.FESTO (1.800.993.3786)

**Fax:** 1.800.96.FESTO (1.800.963.3786)

**Email:** [customer.service@us.festo.com](mailto:customer.service@us.festo.com)

For technical support,

**Call:** 1.866.GO.FESTO (1.866.463.3786)

**Fax:** 1.800.96.FESTO (1.800.963.3786)

**Email:** [product.support@us.festo.com](mailto:product.support@us.festo.com)

### Canadian Customers:

**Call:** 1.877.GO.FESTO (1.877.463.3786)

**Fax:** 1.877.FX.FESTO (1.877.393.3786)

**Email:** [festo.canada@ca.festo.com](mailto:festo.canada@ca.festo.com)

---

## USA Headquarters

Festo Corporation  
395 Moreland Road  
P.O. Box 18023  
Hauppauge, NY 11788, USA  
[www.festo.com/us](http://www.festo.com/us)

---

## USA Sales Offices

### Appleton

North 922 Tower View Drive, Suite N  
Greenville, WI 54942, USA

### Boston

120 Presidential Way, Suite 330  
Woburn, MA 01801, USA

### Chicago

1441 East Business Center Drive  
Mt. Prospect, IL 60056, USA

### Dallas

1825 Lakeway Drive, Suite 600  
Lewisville, TX 75057, USA

### Detroit – Automotive Engineering Center

2601 Cambridge Court, Suite 320  
Auburn Hills, MI 48326, USA

### New York

395 Moreland Road  
Hauppauge, NY 11788, USA

### Silicon Valley

4935 Southfront Road, Suite F  
Livermore, CA 94550, USA

## United States



**USA Headquarters, East:** Festo Corp., 395 Moreland Road, Hauppauge, NY 11788

Phone: 1.631.435.0800; Fax: 1.631.435.8026;

Email: [info@festo-usa.com](mailto:info@festo-usa.com)

[www.festo.com/us](http://www.festo.com/us)

## Canada



**Headquarters:** Festo Inc., 5300 Explorer Drive, Mississauga, Ontario L4W 5G4

Phone: 1.905.624.9000; Fax: 1.905.624.9001;

Email: [festo.canada@ca.festo.com](mailto:festo.canada@ca.festo.com)

[www.festo.ca](http://www.festo.ca)

## Mexico



**Headquarters:** Festo Pneumatic, S.A., Av. Ceylán 3, Col. Tequesquahuac,  
54020 Tlalneantla, Edo. de México

Phone: 011 52 [55] 53 21 66 00; Fax: 011 52 [55] 53 21 66 65;

Email: [festo.mexico@mx.festo.com](mailto:festo.mexico@mx.festo.com)

[www.festo.com/mx](http://www.festo.com/mx)

---

## Central USA

Festo Corporation  
1441 East Business  
Center Drive  
Mt. Prospect, IL 60056, USA  
Phone: 1.847.759.2600  
Fax: 1.847.768.9480



## Western USA

Festo Corporation  
4935 Southfront Road,  
Suite F  
Livermore, CA 94550, USA  
Phone: 1.925.371.1099  
Fax: 1.925.245.1286



---

## Festo Worldwide

Argentina Australia Austria Belarus Belgium Brazil Bulgaria Canada Chile China Colombia Croatia Czech Republic Denmark  
Estonia Finland France Germany Great Britain Greece Hong Kong Hungary India Indonesia Iran Ireland Israel Italy Japan Latvia  
Lithuania Malaysia Mexico Netherlands New Zealand Norway Peru Philippines Poland Romania Russia Serbia Singapore  
Slovakia Slovenia South Africa South Korea Spain Sweden Switzerland Taiwan Thailand Turkey Ukraine United States Venezuela

[www.festo.com](http://www.festo.com)