

Pressure regulators LR/LRS



- 1 - Type discontinued
Available up until 2013

Pressure regulators LR/LRS

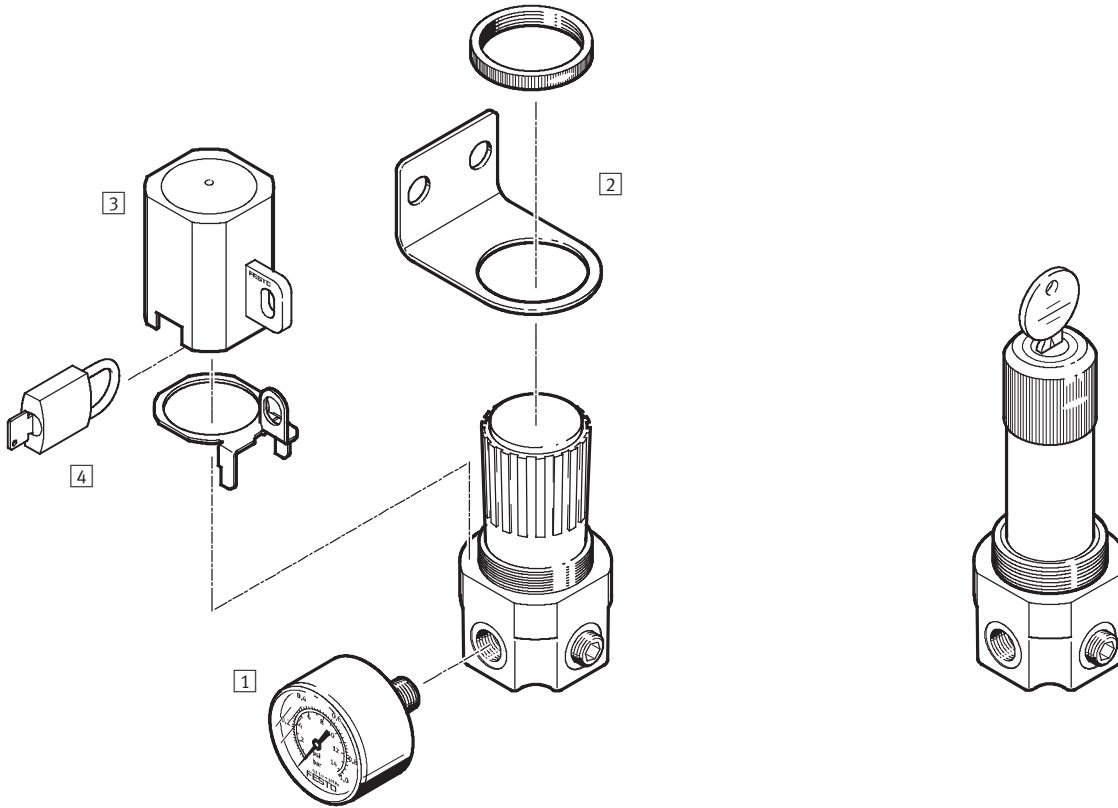
Peripherals overview and type codes

FESTO

Peripherals overview

Pressure regulator LR

Pressure regulator LRS, lockable



Mounting attachments and accessories		→ Page/Internet
1	Pressure gauge MA	ma
2	Mounting bracket HR-D	7
3	Regulator lock LRVS-G-1/8 with lock plate	7
4	Padlock LRVS-D	7

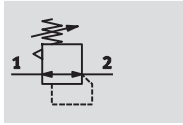
Type codes

	LR	-	1/8	-	G	-	7
Service function							
LR	Pressure regulator						
LRS	Pressure regulator, lockable						
Pneumatic connection							
1/8	Thread G1/8						
Version code							
G	Version code						
Pressure regulation range							
7	0.5 ... 7 bar						
	0.5 ... 12 bar						

Pressure regulators LR/LRS

Technical data

Function



Flow rate
600 ... 700 l/min

Temperature range
-10 ... +80 °C

Pressure
1 ... 20 bar

The pressure regulator is free of paint-wetting impairment substances.



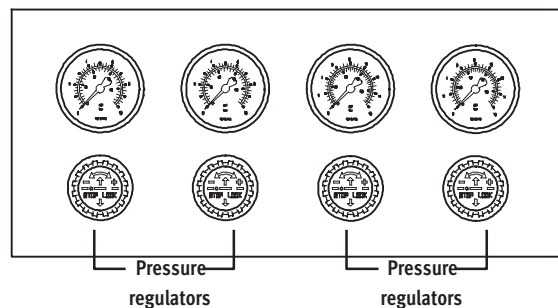
- Larger design (brass housing)
- Good flow rate performance
- Precise diaphragm regulator
- Detenting rotary knob
- Identical mounting bracket to D series
- Suitable for input pressures up to $p_1 = 20$ bar
- 2 pressure regulation ranges: 0.5 ... 7 bar and 0.5 ... 12 bar

The pressure regulator maintains an essentially constant working pressure at the regulator outlet, regardless of pressure fluctuations in the compressed air network. The regulated operating pressure can be reduced by means of the built-in secondary exhaust, even without compressed air consumers.

The pressure regulator is available in two design variants:

- LR(S)- $\frac{1}{8}$ -G for standard applications.
- LR(S)- $\frac{1}{8}$ -G-7 for special individual cases, e.g. regulators in the pressure range up to 7 bar. This variant demonstrates optimal flow and control characteristics.

Panel mounting




Pressure regulation range
0.5 ... 7 bar

Pressure regulation range
0.5 ... 12 bar

General technical data		
Type	LR(S)- $\frac{1}{8}$ -G-7	LR(S)- $\frac{1}{8}$ -G
Pneumatic connection 1, 2	G $\frac{1}{8}$	
Design	Diaphragm regulator with through compressed air supply	
Regulator type	Output pressure constant, with primary pressure compensation, with secondary venting	
Type of mounting	Via accessories	
	In-line installation	
	Front panel mounting, installation hole $\varnothing 36.5$ mm	
Mounting position	Any	
Actuation security	Rotary knob with detent	
	Rotary knob with integrated lock	
Pressure regulation range [bar]	0.5 ... 7	0.5 ... 12
Max. hysteresis [bar]	0.2	
Pressure display	G $\frac{1}{8}$ prepared	

Standard nominal flow rate $q_{nN}^{(1)}$ [l/min]		
Pressure regulation range	0.5 ... 7 bar	700
	0.5 ... 12 bar	600

1) Measured at $p_1 = 10$ bar and $p_2 = 6$ bar, $\Delta p = 1$ bar

-  - Type discontinued
Available up until 2013

Pressure regulators LR/LRS

Technical data

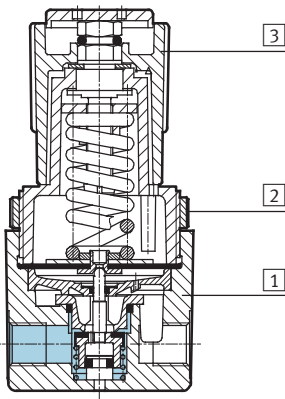
FESTO

Operating and environmental conditions	
Operating pressure [bar]	1 ... 20
Operating medium	Compressed air in accordance with ISO 8573-1:2010 [7:4:4]
Note on operating/pilot medium	Operation with lubricated medium possible (in which case lubricated operation will always be required)
Ambient temperature [°C]	-10 ... +80
Temperature of medium [°C]	-10 ... +80
Storage temperature [°C]	-10 ... +80

Weights [g]		
	LR	LRS
Pressure regulator	320	420

Materials

Sectional view

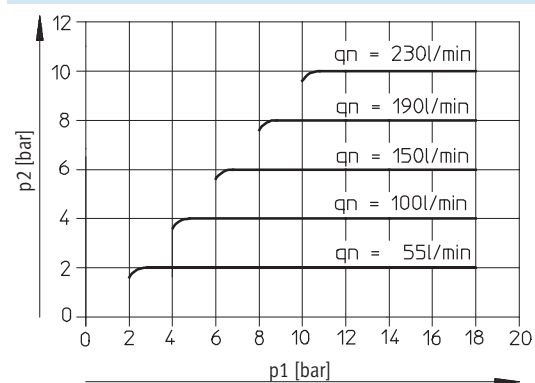


Pressure regulator		
1	Housing	Brass
2	Knurled nut	Aluminium
3	Rotary knob	PA
-	Seals	NBR

Primary pressure compensation –

Input pressure p_1 as a function of output pressure p_2

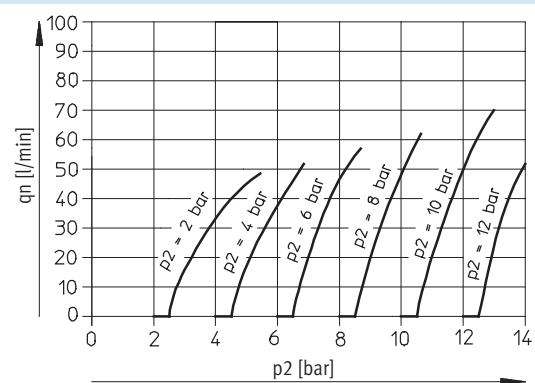
LR(S)-1/8-G(-7)



Secondary venting –

Output pressure p_2 as a function of standard flow rate q_n

LR(S)-1/8-G(-7)



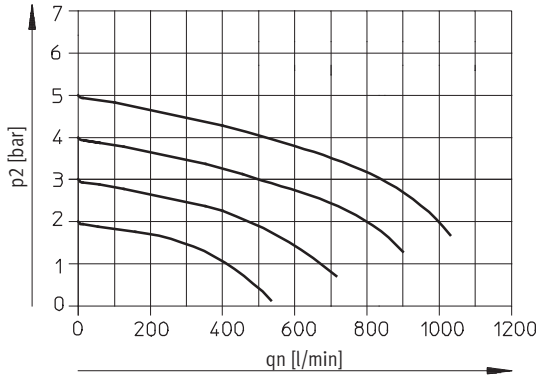
Pressure regulators LR/LRS

Technical data



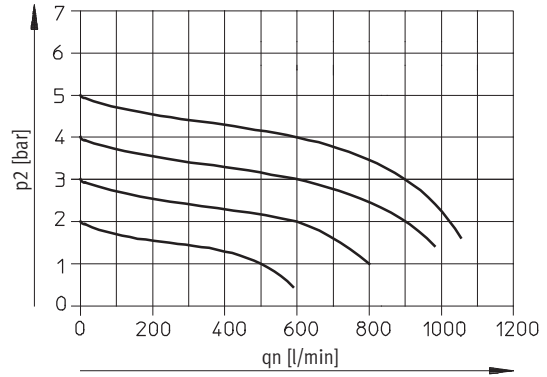
Standard flow rate q_n as a function of the output pressure p_2

LR(S)-1/8-G



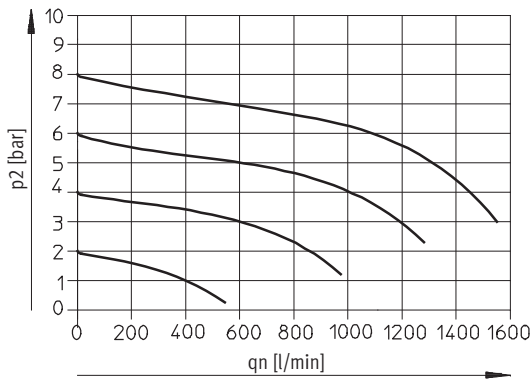
Input pressure $p_1 = 7$ bar

LR(S)-1/8-G-7



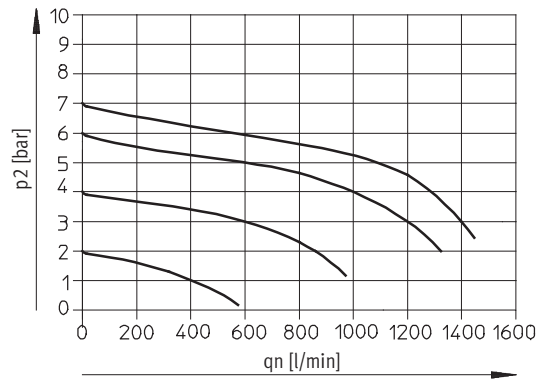
Input pressure $p_1 = 7$ bar

LR(S)-1/8-G



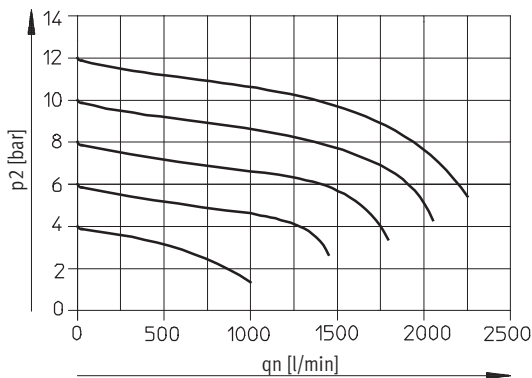
Input pressure $p_1 = 10$ bar

LR(S)-1/8-G-7



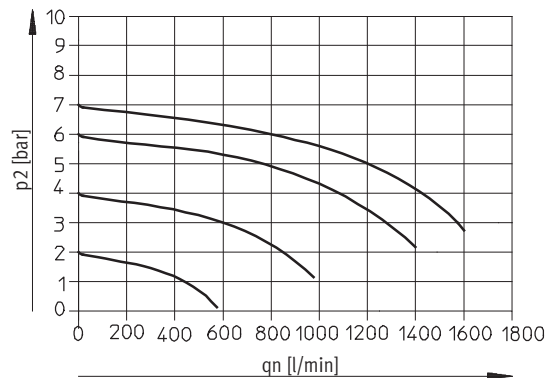
Input pressure $p_1 = 10$ bar

LR(S)-1/8-G



Input pressure $p_1 = 14$ bar

LR(S)-1/8-G-7



Input pressure $p_1 = 14$ bar

- 7 - Type discontinued
Available up until 2013

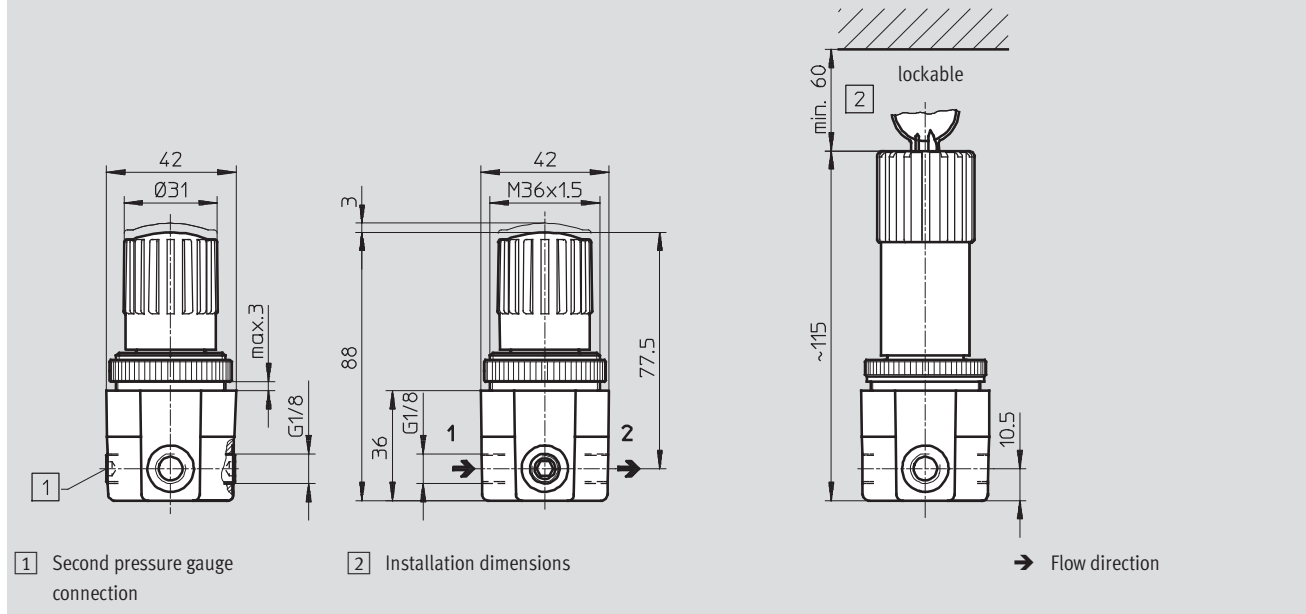
Pressure regulators LR/LRS

Technical data

FESTO

Dimensions

Download CAD Data → www.festo.com/us/cad



Ordering data

Connection	Pressure regulation range 0.5 ... 7 bar			Pressure regulation range 0.5 ... 12 bar		
	Part No.	Type		Part No.	Type	
G1/8	159506	LR-1/8-G-7	- 7 -	159505	LR-1/8-G	- 7 -
lockable						
G1/8	194695	LRS-1/8-G-7	- 7 -	194694	LRS-1/8-G	- 7 -

- - Type discontinued
Available up until 2013

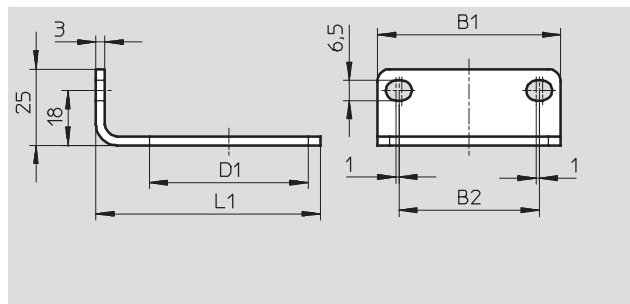
FESTO

Pressure regulators LR/LRS

Accessories

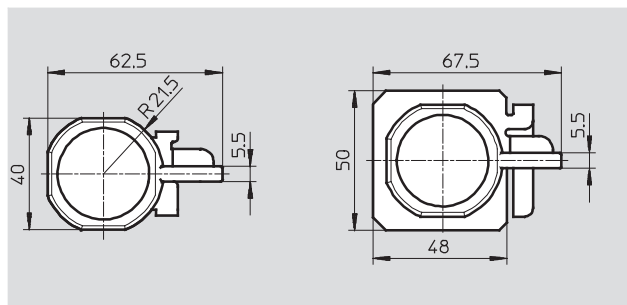
Mounting bracket HR-D
for wall mounting

Material:
Galvanised steel



Ordering data					
B1	B2	D1	L1	Part No.	Type
42	28	36 Ø	57.5	164936	HR-D-MINI

Regulator lock LRVS

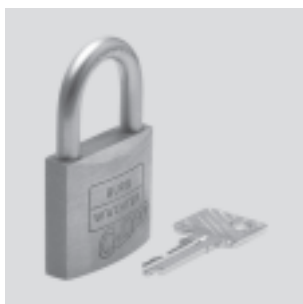


Ordering data					
Connection	Weight [g]	Part No.	Type		
G ¹ / ₈	36	196080	LRVS-G- ¹ / ₈		

Padlock LRVS-D

Material:
Housing: Brass

Ambient temperature:
-20 ... +60 °C



Ordering data					
Weight [g]	Part No.	Type			
120	193786	LRVS-D			

Product Range and Company Overview

A Complete Suite of Automation Services

Our experienced engineers provide complete support at every stage of your development process, including: conceptualization, analysis, engineering, design, assembly, documentation, validation, and production.



Custom Automation Components
Complete custom engineered solutions



Custom Control Cabinets
Comprehensive engineering support and on-site services



Complete Systems
Shipment, stocking and storage services

The Broadest Range of Automation Components

With a comprehensive line of more than 30,000 automation components, Festo is capable of solving the most complex automation requirements.



Electromechanical
Electromechanical actuators, motors, controllers & drives



Pneumatics
Pneumatic linear and rotary actuators, valves, and air supply



PLCs and I/O Devices
PLC's, operator interfaces, sensors and I/O devices

Supporting Advanced Automation... As No One Else Can!

Festo is a leading global manufacturer of pneumatic and electromechanical systems, components and controls for industrial automation, with more than 12,000 employees in 56 national headquarters serving more than 180 countries. For more than 80 years, Festo has continuously elevated the state of manufacturing with innovations and optimized motion control solutions that deliver higher performing, more profitable automated manufacturing and processing equipment. Our dedication to the advancement of automation extends beyond technology to the education and development of current and future automation and robotics designers with simulation tools, teaching programs, and on-site services.

Quality Assurance, ISO 9001 and ISO 14001 Certifications

Festo Corporation is committed to supply all Festo products and services that will meet or exceed our customers' requirements in product quality, delivery, customer service and satisfaction.

To meet this commitment, we strive to ensure a consistent, integrated, and systematic approach to management that will meet or exceed the requirements of the ISO 9001 standard for Quality Management and the ISO 14001 standard for Environmental Management.



© Copyright 2008, Festo Corporation. While every effort is made to ensure that all dimensions and specifications are correct, Festo cannot guarantee that publications are completely free of any error, in particular typing or printing errors. Accordingly, Festo cannot be held responsible for the same. For Liability and Warranty conditions, refer to our "Terms and Conditions of Sale", available from your local Festo office. All rights reserved. No part of this publication may be reproduced, distributed, or transmitted in any form or by any means, electronic, mechanical, photocopying or otherwise, without the prior written permission of Festo. All technical data subject to change according to technical update.



Printed on recycled paper at New Horizon Graphic, Inc., FSC certified as an environmentally friendly printing plant.

Festo North America

Festo Regional Contact Center

5300 Explorer Drive
Mississauga, Ontario L4W 5G4
Canada

USA Customers:

For ordering assistance,

Call: 1.800.99.FESTO (1.800.993.3786)

Fax: 1.800.96.FESTO (1.800.963.3786)

Email: customer.service@us.festo.com

For technical support,

Call: 1.866.GO.FESTO (1.866.463.3786)

Fax: 1.800.96.FESTO (1.800.963.3786)

Email: product.support@us.festo.com

Canadian Customers:

Call: 1.877.GO.FESTO (1.877.463.3786)

Fax: 1.877.FX.FESTO (1.877.393.3786)

Email: festo.canada@ca.festo.com

USA Headquarters

Festo Corporation
395 Moreland Road
P.O. Box 18023
Hauppauge, NY 11788, USA
www.festo.com/us

USA Sales Offices

Appleton

North 922 Tower View Drive, Suite N
Greenville, WI 54942, USA

Boston

120 Presidential Way, Suite 330
Woburn, MA 01801, USA

Chicago

1441 East Business Center Drive
Mt. Prospect, IL 60056, USA

Dallas

1825 Lakeway Drive, Suite 600
Lewisville, TX 75057, USA

Detroit – Automotive Engineering Center

2601 Cambridge Court, Suite 320
Auburn Hills, MI 48326, USA

New York

395 Moreland Road
Hauppauge, NY 11788, USA

Silicon Valley

4935 Southfront Road, Suite F
Livermore, CA 94550, USA

United States



USA Headquarters, East: Festo Corp., 395 Moreland Road, Hauppauge, NY 11788

Phone: 1.631.435.0800; Fax: 1.631.435.8026;

Email: info@festo-usa.com

www.festo.com/us

Canada



Headquarters: Festo Inc., 5300 Explorer Drive, Mississauga, Ontario L4W 5G4

Phone: 1.905.624.9000; Fax: 1.905.624.9001;

Email: festo.canada@ca.festo.com

www.festo.ca

Mexico



Headquarters: Festo Pneumatic, S.A., Av. Ceylán 3, Col. Tequesquahuac,
54020 Tlalneantla, Edo. de México

Phone: 011 52 [55] 53 21 66 00; Fax: 011 52 [55] 53 21 66 65;

Email: festo.mexico@mx.festo.com

www.festo.com/mx

Central USA

Festo Corporation
1441 East Business
Center Drive
Mt. Prospect, IL 60056, USA
Phone: 1.847.759.2600
Fax: 1.847.768.9480



Western USA

Festo Corporation
4935 Southfront Road,
Suite F
Livermore, CA 94550, USA
Phone: 1.925.371.1099
Fax: 1.925.245.1286



Festo Worldwide

Argentina Australia Austria Belarus Belgium Brazil Bulgaria Canada Chile China Colombia Croatia Czech Republic Denmark
Estonia Finland France Germany Great Britain Greece Hong Kong Hungary India Indonesia Iran Ireland Israel Italy Japan Latvia
Lithuania Malaysia Mexico Netherlands New Zealand Norway Peru Philippines Poland Romania Russia Serbia Singapore
Slovakia Slovenia South Africa South Korea Spain Sweden Switzerland Taiwan Thailand Turkey Ukraine United States Venezuela

www.festo.com