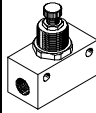
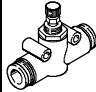


**One-way flow control valves GR/GRA, in-line installation**



# One-way flow control valves GR/GRA, in-line installation

Product range overview and type codes

Product range overview									
Version	Valve function	Version	Type	Connection direction	Pneumatic connection 1	Pneumatic connection 2	qnN <sup>1)</sup> [l/min]	Adjustment component	→ Page/ Internet
In-line installation	<b>Metal</b>								
	One-way flow control function		GR/GRA	In-line	M3, M5, G <sup>1</sup> / <sub>8</sub> , G <sup>1</sup> / <sub>4</sub> , G <sup>3</sup> / <sub>8</sub> , G <sup>1</sup> / <sub>2</sub> , G <sup>3</sup> / <sub>4</sub>	M3, M5, G <sup>1</sup> / <sub>8</sub> , G <sup>1</sup> / <sub>4</sub> , G <sup>3</sup> / <sub>8</sub> , G <sup>1</sup> / <sub>2</sub> , G <sup>3</sup> / <sub>4</sub>	29.5 ... 3,300	Knurled screw	3
In-line installation	<b>Polymer</b>								
	One-way flow control function		GR	In-line	QS-3, QS-4, QS-6, QS-8	QS-3, QS-4, QS-6, QS-8	25 ... 225	Knurled screw	8

1) Standard nominal flow rate in direction of flow control.

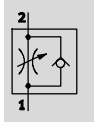
## Type codes

		GR	-	QS-4	-	LF	-	
<b>Type</b>								
GR	One-way flow control valve, in-line installation							
GRA	One-way flow control valve, in-line installation							
<b>Pneumatic connection 1 and 2</b>								
M3	Female thread M3							
M5	Female thread M5							
1/8	Female thread G <sup>1</sup> / <sub>8</sub>							
1/4	Female thread G <sup>1</sup> / <sub>4</sub>							
3/8	Female thread G <sup>3</sup> / <sub>8</sub>							
1/2	Female thread G <sup>1</sup> / <sub>2</sub>							
3/4	Female thread G <sup>3</sup> / <sub>4</sub>							
QS-3	Push-in connector for tubing O.D. 3 mm							
QS-4	Push-in connector for tubing O.D. 4 mm							
QS-6	Push-in connector for tubing O.D. 6 mm							
QS-8	Push-in connector for tubing O.D. 8 mm							
<b>Flow rate characteristic</b>								
LF	Low flow							
<b>Generation</b>								
B	B series							

# One-way flow control valves GR/GRA, in-line installation

Technical data – Female thread, metal

One-way flow control function



- Flow rate  
29.5 ... 3,300 l/min
- Temperature range  
-20 ... +75 °C
- Operating pressure  
0.1 ... 15 bar

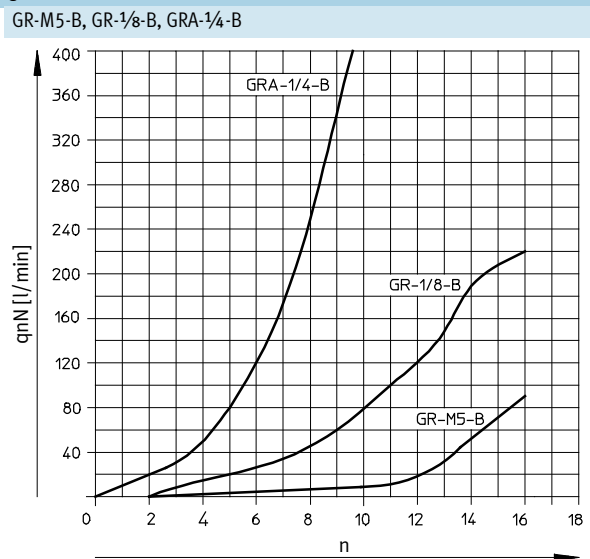
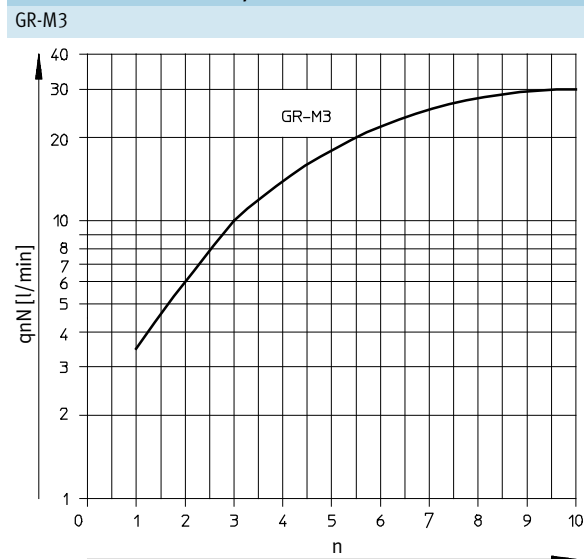


General technical data								
Valve function	One-way flow control function							
Type	GR-M3	GR-M5-B	GR-1/8-B	GR-1/4	GRA-1/4-B	GR-3/8-B	GR-1/2	GR-3/4
Pneumatic connection 1, 2	M3	M5	G1/8	G1/4	G1/4	G3/8	G1/2	G3/4
Adjustment component	Knurled screw							
Type of mounting	Via through-hole			-	Via through-hole			
	Front panel mounting			-	Front panel mounting			
	-			In-line installation	-			
Mounting position	Any							

Note: This product conforms to ISO 1179-1 and to ISO 228-1

Operating and environmental conditions								
Type	GR-M3	GR-M5-B	GR-1/8-B	GR-1/4	GRA-1/4-B	GR-3/8-B	GR-1/2	GR-3/4
Operating pressure [bar]	0.3 ... 8	0.5 ... 10			0.1 ... 10		0.3 ... 15	
Operating medium	Compressed air in accordance with ISO 8573-1: 2010							
	[6:4:4]	[7:4:4]	[7:-:-]	[7:4:4]	[7:-:-]			
Note on operating/pilot medium	Operation with lubricated medium possible (in which case lubricated operation will always be required)							
Ambient temperature [°C]	-10 ... +60	-20 ... +60		-20 ... +75			-10 ... +60	
Temperature of medium [°C]	-10 ... +60	-20 ... +60		-20 ... +75			-10 ... +60	
Storage temperature [°C]	-10 ... +40	-20 ... +60		-20 ... +75			-10 ... +60	

## Standard nominal flow rate q<sub>nN</sub> at 6 → 5 bar as a function of turns of the adjusting screw n

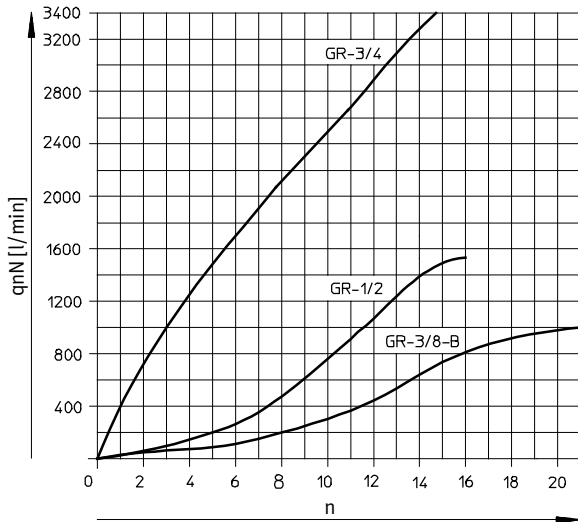


# One-way flow control valves GR/GRA, in-line installation

Technical data – Female thread, metal

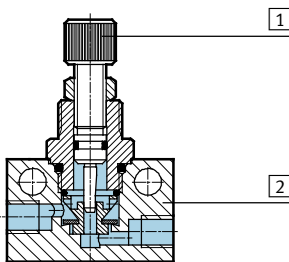
## Standard nominal flow rate $q_{nN}$ at 6 → 5 bar as a function of turns of the adjusting screw $n$

GR-3/8-B, GR-1/2, GR-3/4



## Materials

Sectional view



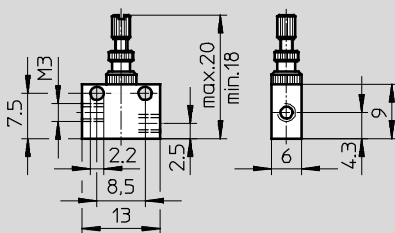
### One-way flow control valve

1	Adjusting screw	Brass GR-1/4: Galvanised steel
2	Housing	GR-M3, GR-M5-B, GR-1/8-B, GR-1/4, GR-3/4: Wrought aluminium alloy GRA-1/4-B, GR-3/8-B, GR-1/2: Die-cast zinc
-	Seals	NBR
Note on materials		RoHS-compliant

## Dimensions

Download CAD data → [www.festo.com](http://www.festo.com)

GR-M3



# One-way flow control valves GR/GRA, in-line installation

Technical data – Female thread, metal

**Dimensions** Download CAD data → [www.festo.com](http://www.festo.com)

GR-M5-B GR-1/8-B

- Note: This product conforms to ISO 1179-1 and to ISO 228-1

1 Cover cap GRK → 7      2 Hex nut GRM → 7

**Dimensions** Download CAD data → [www.festo.com](http://www.festo.com)

GR-1/4

Type	Connection D1	B1	D2 Ø	D3 Ø	H1	H2	H3	L1	L2	L3	⊘ 1
GR-1/4	G1/4	28	18	16	32.5	26.5	17	52	30	22	24

**Dimensions** Download CAD data → [www.festo.com](http://www.festo.com)

GRA-1/4-B GR-3/8-B

- Note: This product conforms to ISO 1179-1 and to ISO 228-1

1 Cover cap GRK → 7      2 Hex nut GRM → 7

Type	Connection D1	B1	D2 Ø	D3 Ø	D4 Ø	H1		H2	H3	H4	H5	H6	H7 max.	H8	L1	L2	⊘	
						min.	max.										1	2
GRA-1/4-B	G1/4	26.5	M20x1.5	6.4	17.4	56	62	73.5	44	22.5	28	10	3.5	-	52	35 ±0.1	13	24
GR-3/8-B	G3/8	33	M20x1.5	4.5	17.5	62.5	74	76.5	46	31.5	27	14	3.5	13	62	38	13	30

# One-way flow control valves GR/GRA, in-line installation

Technical data – Female thread, metal

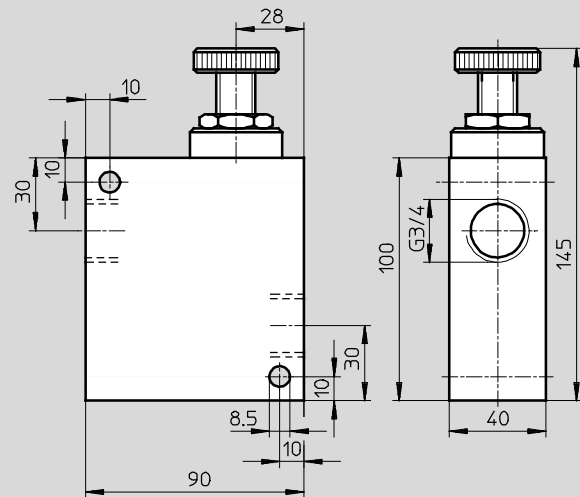
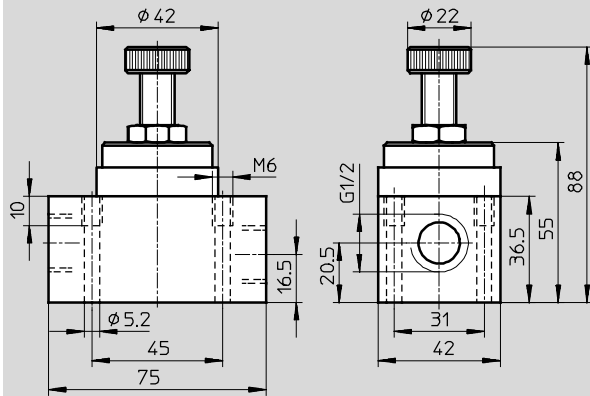
FESTO

## Dimensions

Download CAD data → [www.festo.com](http://www.festo.com)

GR-1/2

GR-3/4



Note: This product conforms to ISO 1179-1 and to ISO 228-1

Note: This product conforms to ISO 1179-1 and to ISO 228-1

## Ordering data – One-way flow control function

	Pneumatic connection		Standard nominal flow rate qnN at 6 → 5 bar		Weight [g]	Part No.	Type
	2	1	in direction of flow control [l/min]	in non-return direction [l/min]			
<b>Knurled screw</b>							
	M3	M3	29.5	26 ... 27.5	2.5	<b>15899</b>	<b>GR-M3</b>
	M5	M5	94	115	21	<b>151213</b>	<b>GR-M5-B</b>
	G1/8	G1/8	220	217	34	<b>151215</b>	<b>GR-1/8-B</b>
	G1/4	G1/4	420	780	180	<b>6509</b>	<b>GRA-1/4-B</b>
	G3/8	G3/8	1,010	1,150	225	<b>6308</b>	<b>GR-3/8-B</b>
	G1/2	G1/2	1,620	2,760	517	<b>3720</b>	<b>GR-1/2</b>
	G3/4	G3/4	3,300	4,800	938	<b>2103</b>	<b>GR-3/4</b>
	G1/4	G1/4	370	150	80	<b>2101</b>	<b>GR-1/4</b>

## One-way flow control valves GR/GRA, in-line installation

Accessories

### Hex nut GRM

For front panel mounting

Material: Steel



Ordering data			
For type	Description	Part No.	Type
GR-M5-B	Thread M10x1	6444	GRM-M5
GR-1/8-B	Thread M12x1	2107	GRM-1/8
GRA-1/4-B, GR-3/8-B	Thread M20x1.5	204596	GRM-3/8

### Cover cap GRK

Material: PP

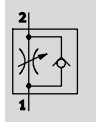


Ordering data			
For type	Description	Part No.	Type
GR-M5-B	Thread M10x1	6436	GRK-M5
GR-1/8-B	Thread M12x1	2105	GRK-1/8
GRA-1/4-B, GR-3/8-B	Thread M20x1.5	6309	GRK-3/8-B

# One-way flow control valves GR, in-line installation

Technical data – Push-in connector QS, polymer

One-way flow control function



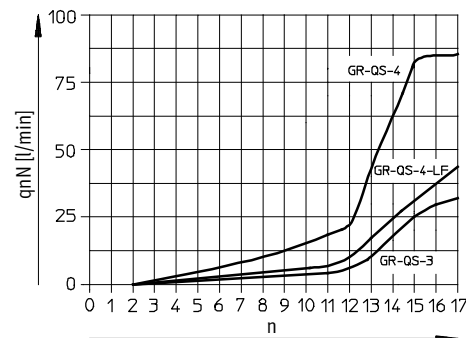
- - Flow rate  
25 ... 225 l/min
- - Temperature range  
-10 ... +60 °C
- - Operating pressure  
0.2 ... 10 bar



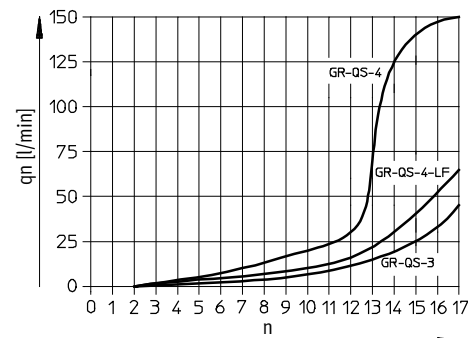
General technical data				
Valve function	One-way flow control function			
Pneumatic connection 2	QS-3	QS-4	QS-6	QS-8
Pneumatic connection 1	QS-3	QS-4	QS-6	QS-8
Adjustment component	Knurled screw			
Type of mounting	Via through-hole			
	Front panel mounting			
	Via accessories			
Mounting position	Any			

Operating and environmental conditions	
Operating pressure [bar]	0.2 ... 10
Operating medium	Compressed air in accordance with ISO 8573-1:2010 [7:4:4]
Note on operating/pilot medium	Operation with lubricated medium possible (in which case lubricated operation will always be required)
Ambient temperature [°C]	-10 ... +60
Temperature of medium [°C]	-10 ... +60
Storage temperature [°C]	-10 ... +40

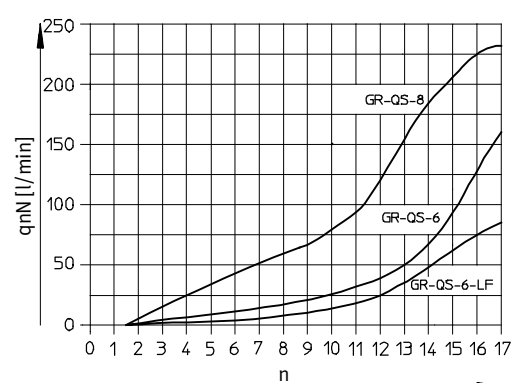
**Standard nominal flow rate  $q_{nN}$  at 6 → 5 bar as a function of turns of the adjusting screw  $n$**   
GR-QS-3/GR-QS-4



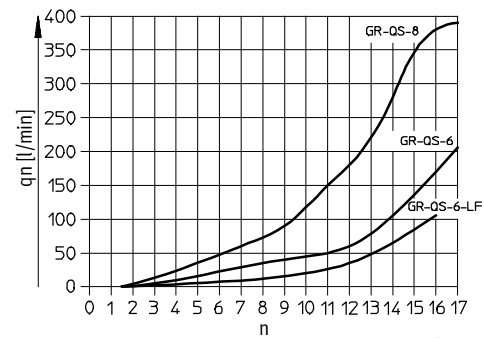
**Standard flow rate  $q_n$  at 6 → 0 bar as a function of turns of the adjusting screw  $n$**   
GR-QS-3/GR-QS-4



**GR-QS-6/GR-QS-8**



**GR-QS-6/GR-QS-8**



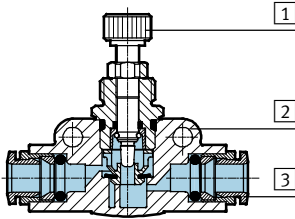


# One-way flow control valves GR, in-line installation

Technical data – Push-in connector QS, polymer

## Materials

Sectional view



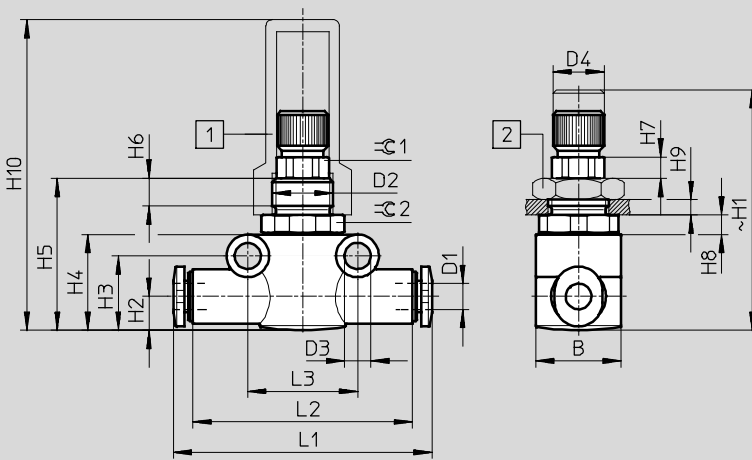
One-way flow control valve

1	Adjusting screw	Nickel-plated brass
2	Housing	PA, reinforced
3	Releasing ring	POM
-	Seals	NBR

## Dimensions

Download CAD data → [www.festo.com](http://www.festo.com)

Knurled screw



- 1 Cover cap GRK → 10
- 2 Hex nut GRM → 10

Type	Tubing O.D. D1	B	D2	D3 Ø	D4 Ø	H1		H2	H3	H4
						min.	max.			
GR-QS-3	3	14	M10x1	4.3 ±0.1	8.0 -0.3	35.9	40	5.55	12.2	15.7
GR-QS-4	4	14	M10x1	4.3 ±0.1	8.0 -0.3	35.9	40	5.55	12.2	15.7
GR-QS-6	6	16	M12x1	4.3 ±0.1	10.1 -0.3	40.4	44.5	8.4	17.3	21.3
GR-QS-8	8	16	M12x1	4.3 ±0.1	10.1 -0.3	40.4	44.5	8.4	17.3	21.3

Type	H5	H6	H7	H8	H9 max.	H10	L1	L2	L3	∠1	∠2
GR-QS-3	24.9	4.5	3.5	3.2	2.5	50.9	41.8	36	18	8	13
GR-QS-4	24.9			3.2	2.5	50.9	42.4	36	18		13
GR-QS-6	30.1			2.8	3.5	46.1	51.6	43	24		14
GR-QS-8	30.1			2.8	3.5	46.1	53.4	43	24		14

## Ordering data – One-way flow control function

	Pneumatic connection		Standard nominal flow rate q <sub>nN</sub> at 6 → 5 bar		Standard flow rate q <sub>n</sub> at 6 → 0 bar		Weight [g]	Part No.	Type
			in direction of flow control	in non-return direction	in direction of flow control	in non-return direction			
Knurled screw									
	QS-3	QS-3	25	65 ... 70	100	125 ... 135	15	193965	GR-QS-3
	QS-4	QS-4	40	100 ... 110	130	170 ... 185	15	193966	GR-QS-4-LF
			85	100 ... 110	150	170 ... 185	15	193967	GR-QS-4
	QS-6	QS-6	75	260 ... 270	110	500 ... 510	25	193968	GR-QS-6-LF
			160	260 ... 270	205	500 ... 510	25	193969	GR-QS-6
QS-8	QS-8	225	350 ... 400	390	610 ... 640	26	193970	GR-QS-8	

# One-way flow control valves GR, in-line installation

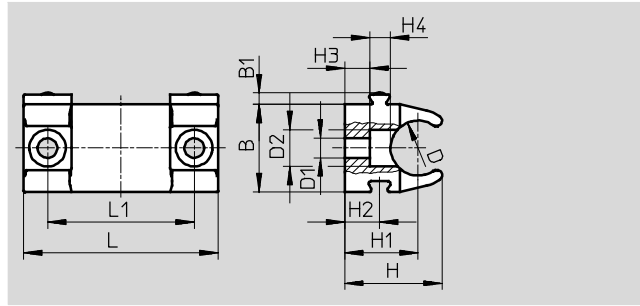
Accessories

FESTO

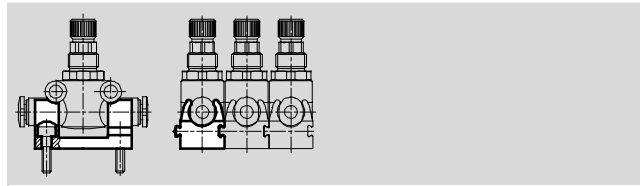
## Retainer GR-H

For mounting on a flat surface via M3 screws. The one-way flow control valve is snapped into the retainer. The retainer can be fitted in any position.

Material: POM  
Free of copper and PTFE



Linking of multiple retainers via dovetail slot



Dimensions and ordering data								
For type	B	B1	D	D1	D2	H	H1	H2
GR-QS-3, GR-QS-4	14.3	1.9	9	3.2	6	16	12	5.7
GR-QS-6, GR-QS-8	19.8	1.9	14.5	3.2	6	19.2	13	5.7

For type	H3	H4	L	L1	Weight [g]	Part No.	Type
GR-QS-3, GR-QS-4	4.1	3.4	31.8	24	4	195495	GR-H-QS-3-4
GR-QS-6, GR-QS-8	2.3	3.4	31.8	24	5	195496	GR-H-QS-6-8

## Hex nut GRM

For front panel mounting

Material: Steel



Ordering data			
For type	Description	Part No.	Type
GR-QS-3, GR-QS-4	Thread M10x1	6444	GRM-M5
GR-QS-6, GR-QS-8	Thread M12x1	2107	GRM-1/8

## Cover cap GRK

Material: PP



Ordering data			
For type	Description	Part No.	Type
GR-QS-3, GR-QS-4	Thread M10x1	6436	GRK-M5
GR-QS-6, GR-QS-8	Thread M12x1	2105	GRK-1/8