

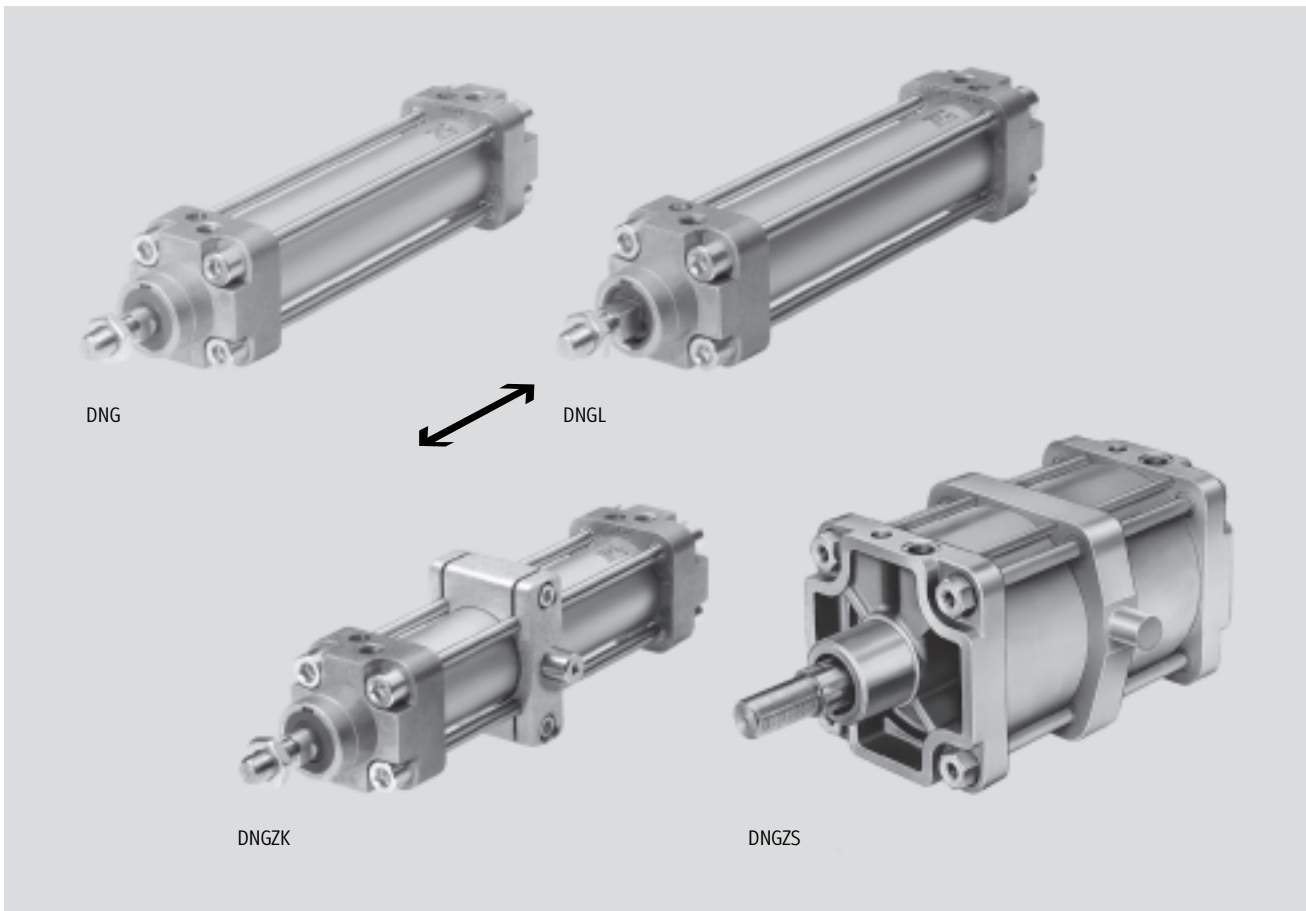
Standard cylinders DNG/DNGZK/DNGZS, ISO 15552



# Standard cylinders DNG/DNGZK/DNGZS, ISO 15552

FESTO

Features



## Brief description

- Double-acting
- For contactless position sensing
- With adjustable end-position cushioning at both ends
- Robust tie rod design
- Standards-based cylinders to ISO 15552 (corresponds to the withdrawn standards ISO 6431, DIN ISO 6431, VDMA 24 562, NF E 49 003.1 and UNI 10290)



DIN



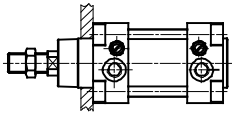
# Standard cylinders DNG/DNGZK/DNGZS, ISO 15552

Features

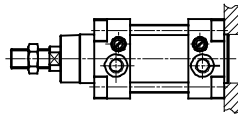
## Mounting options

### Installation of basic version

Mounting at front



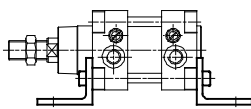
Mounting at rear



### Installation options using mounting attachments

Foot mounting MS1<sup>1)</sup>

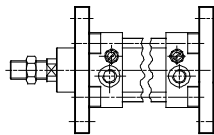
HNG



Flange mounting MF1/MF2<sup>1)</sup>

FNG

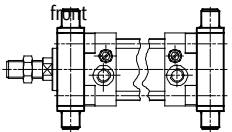
at front at rear



Trunnion flange

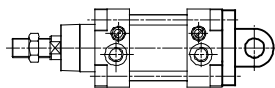
ZNG

at at rear



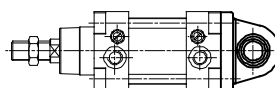
Swivel flange MP2<sup>1)</sup>

SNG/SNGB/SNGL



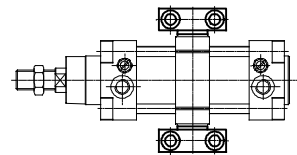
Swivel flange with spherical bearing

SSNG



Trunnion mounting kit MT4<sup>1)</sup>

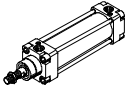
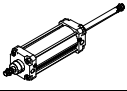
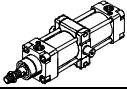
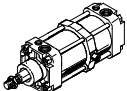
LNZG



1) Standard designation to ISO 15552 (ISO 6431)

# Standard cylinders DNG/DNGZK/DNGZS, ISO 15552

Product range overview

Function	Design	Type	Piston Ø [mm]	Stroke [mm]	Variable stroke <sup>1)</sup> [mm]	Position sensing A	Cushioning Adjustable PPV	
Double-acting	<b>Basic version</b>							
		DNG Single-ended piston rod	125	25, 40, 50, 100, 125, 160, 200, 250, 320, 400, 500	1 ... 2000	■	■	
			160, 200, 250, 320	–	1 ... 2000			
		DNG-...-S2 Through piston rod	125	–	1 ... 500	■	■	
			160, 200		1 ... 2000	■	■	
			250, 320		1 ... 2000	■	■	
	<b>With central trunnion mounting</b>							
		DNGZK adjustable	125	–	1 ... 1500	■	■	
			160, 200	–	1 ... 2000			
		DNGZS fixed	250, 320	–	1 ... 1100	■	■	

1) Cylinders with position sensing require a minimum stroke of 10 mm to ensure reliable sensing

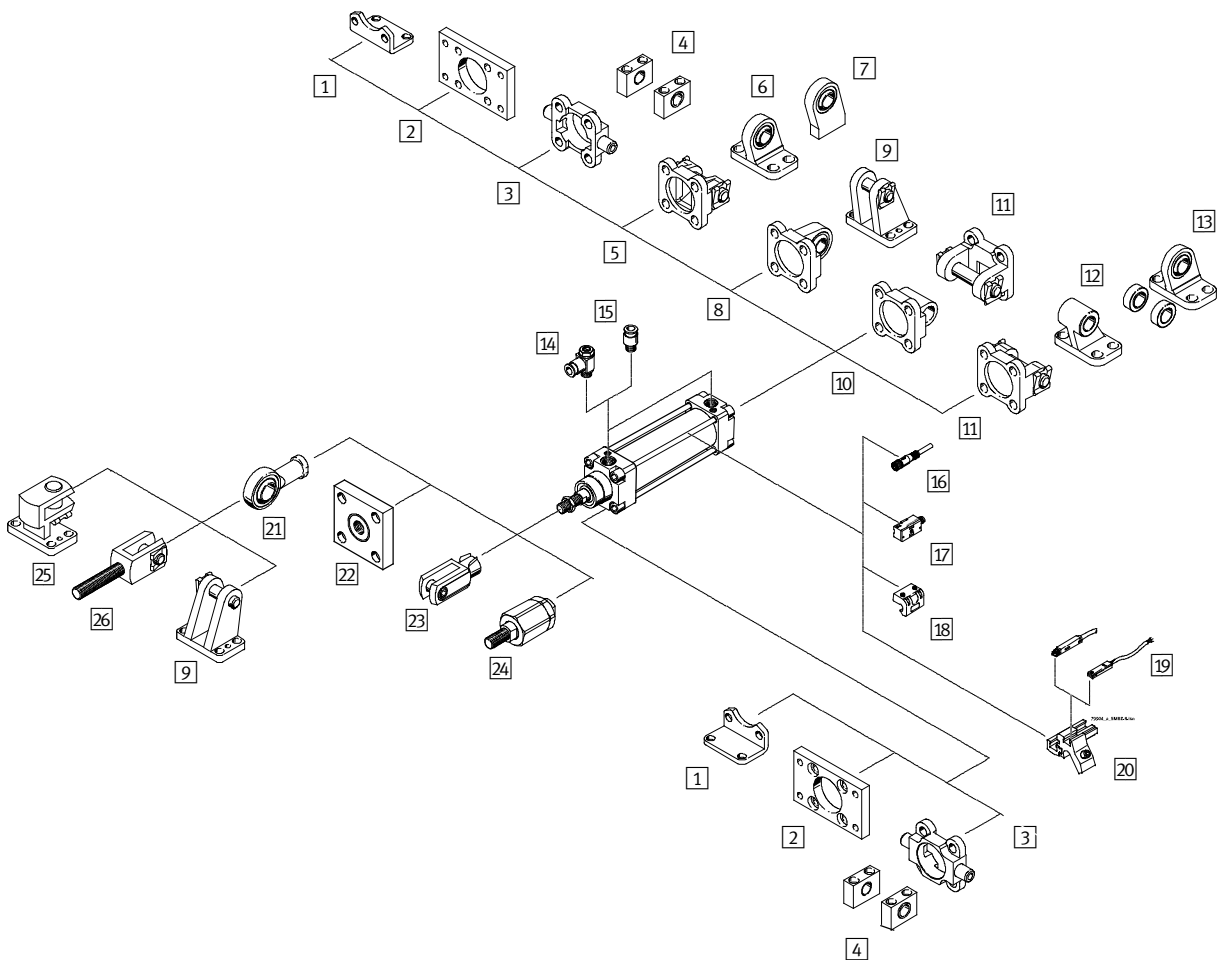
# Standard cylinders DNG/DNGZK/DNGZS, ISO 15552

Product range overview

Type	Piston rod		Heat-resistant seal S6	High corrosion protection S8	→ Page/Internet
	Male thread	Stainless steel S3			
<b>Basic version</b>					
<b>DNG</b> Single-ended piston rod	■	■	■	■	9
<b>DNG-...-S2</b> Through piston rod	■	-	-	-	9
<b>With central trunnion mounting</b>					
<b>DNGZK</b> adjustable	■	■	■	■	9
<b>DNGZS</b> fixed	■	■	■	■	9

# Standard cylinders DNG/DNGZK/DNGZS, ISO 15552

Peripherals overview



Mounting attachments and accessories		
	Brief description	→ Page/Internet
1	Foot mounting HNG	17
2	Flange mounting FNG	18
3	Trunnion flange ZNG	18
4	Trunnion support LNZG	19
5	Swivel flange SNG	19

# Standard cylinders DNG/DNGZK/DNGZS, ISO 15552

Peripherals overview

Mounting attachments and accessories		
	Brief description	→ Page/Internet
6	Clevis foot mounting LSNG	With spherical bearing 22
7	Clevis foot mounting LSNSG	Weld-on with spherical bearing 22
8	Swivel flange SSNG	With spherical bearing for clevis foot mounting LBG 20
9	Clevis foot mounting LBG	With non-rotating pivot pin 22
10	Swivel flange SNGL	For end caps corresponds to MP2 to ISO 15552 21
11	Swivel flange SNGB	For end caps corresponds to MP2 to ISO 15552 20
12	Clevis foot mounting LNG	For swivel flange SNGB 22
13	Clevis foot mounting LSN	With spherical bearing 22
14	One-way flow control valve GRLA	For speed regulation grla
15	Push-in fitting QS	For connecting compressed air tubing with standard O.D. quick star
16	Connecting cable, straight NEBU	– 23
	Connecting cable, angled NEBU	– 23
17	Proximity sensors SMEO-1/SMT0-1	– 24
18	Sensor mounting kit SMB-1	For proximity sensor SMEO-1/SMT0-1 24
19	Proximity sensors SME/SMT-8	– 23
20	Sensor mounting kit SMBZ-8- ...	For proximity sensor SME/SMT-8 23
21	Rod eye SGS	With spherical bearing 22
22	Coupling piece KSG	For compensating radial deviations 22
23	Rod clevis SG	Permits a swivelling movement of the cylinder in one plane 22
24	Self-aligning rod coupler FK	For compensating radial and angular deviations 22
25	Right-angle clevis foot LQG	With non-rotating pivot pin 22
26	Rod clevis SGA	Suitable for spherical mounting of cylinders in conjunction with rod eye SGS 22

# Standard cylinders DNG/DNGZK/DNGZS, ISO 15552

Type codes

DNG - 125 - 80 - PPV - A - - -

Type	
Double-acting	
DNG	Standard cylinder
DNGZK	Standard cylinder with central trunnion mounting (adjustable)
DNGZS	Standard cylinder with central trunnion mounting (fixed)

**Piston Ø [mm]**

**Stroke [mm]**

Cushioning	
PPV	Adjustable at both ends

Position sensing	
A	For proximity sensing

Trunnion flange axis distance	
XV	Trunnion flange position

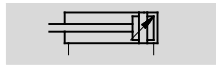
Variants	
S2	Through piston rod
S3	Stainless steel piston rod
S6	Heat resistant seal for temperatures up to 120 °C
S8	High corrosion protection



# Standard cylinders DNG/DNGZK/DNGZS, ISO 15552


Technical data

Function



-  $\varnothing$  - Diameter  
125 ... 320 mm

- | - Stroke length  
10 ... 2000 mm

-  - [www.festo.com](http://www.festo.com)

Variants



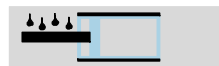
S2



S3



S6

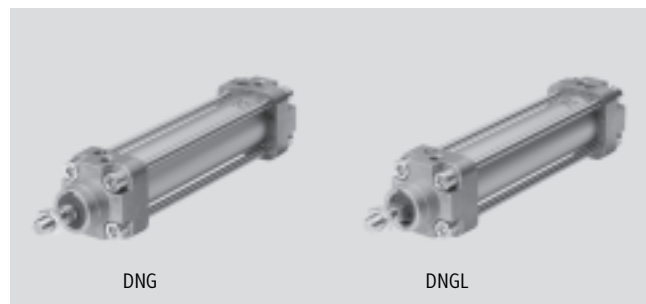


S8

- Standards-based cylinders to ISO 15552 (corresponds to the withdrawn standards ISO 6431, DIN ISO 6431, VDMA 24 562, NF E 49 003.1 and UNI 10290)

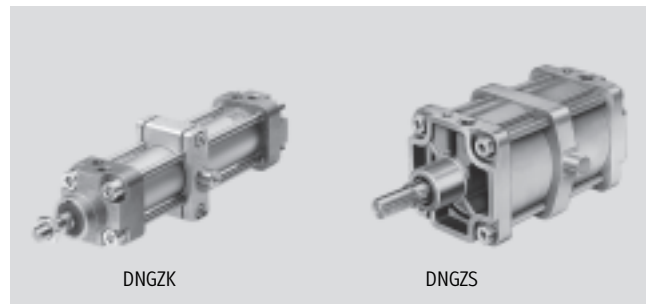


DIN



DNG

DNGL



DNGZK

DNGZS

General technical data					
Piston $\varnothing$	125	160	200	250	320
Pneumatic connection	G $\frac{1}{2}$	G $\frac{3}{4}$	G $\frac{3}{4}$	G1	G1
Piston rod thread	M27x2	M36x2	M36x2	M42x2	M48x2
Operating medium	Compressed air in accordance with ISO 8573-1:2010 [7:4:4]				
Note on operating/pilot medium	Operation with lubricated medium possible (in which case lubricated operation will always be required)				
Design	Piston				
	Piston rod				
	Profile barrel				
Cushioning	Adjustable at both ends				
Cushioning length [mm]	40	40	50	60	66
Position sensing	For proximity sensing				
Type of mounting	Via accessories				
Mounting position	Any				

Operating and environmental conditions					
Piston $\varnothing$	125	160	200	250	320
Operating pressure [bar]	0.6 ... 10				
Ambient temperature <sup>1)</sup> [°C]	-20 ... +80				
ATEX	Specified types → <a href="http://www.festo.com">www.festo.com</a>				

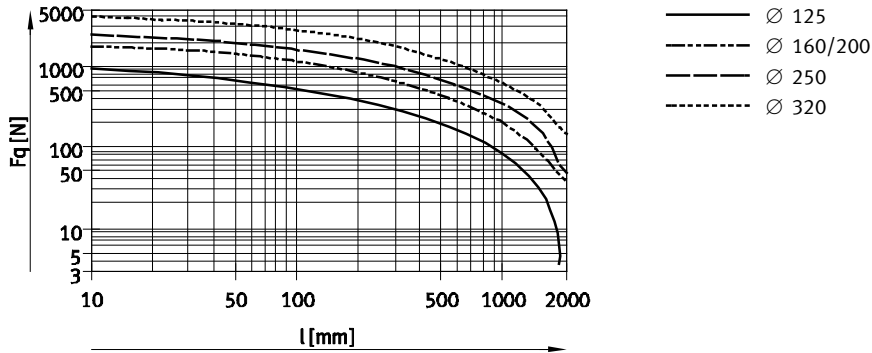
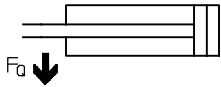
1) Note operating range of proximity sensors

Forces [N]					
Piston $\varnothing$	125	160	200	250	320
Theoretical force at 6 bar, advancing	7,360	12,064	18,850	29,450	48,250
Theoretical force at 6 bar, retracting	6,880	11,310	18,096	28,270	46,380

# Standard cylinders DNG/DNGZK/DNGZS, ISO 15552

Technical data

## Lateral force $F_Q$ as a function of the stroke length $l$



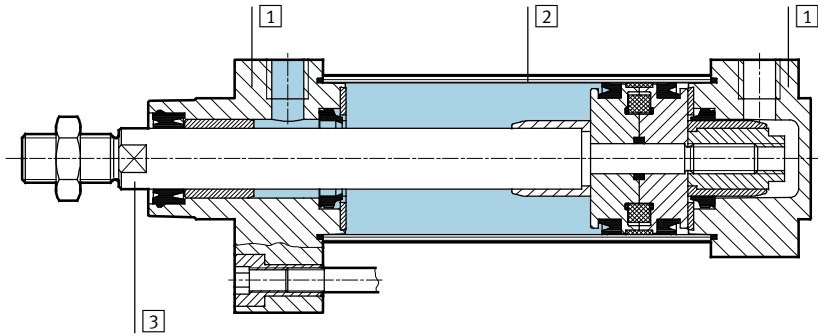
Weights [g]					
Piston Ø	125	160	200	250	320
<b>DNG</b>					
Product weight at 0 mm stroke	7,305	17,265	20,115	30,800	53,200
Additional weight per 10 mm stroke	140	190	250	360	570
<b>DNGZK/DNGZS</b>					
Product weight at 0 mm stroke	10,215	19,510			
Additional weight per 10 mm stroke	140	190			

# Standard cylinders DNG/DNGZK/DNGZS, ISO 15552

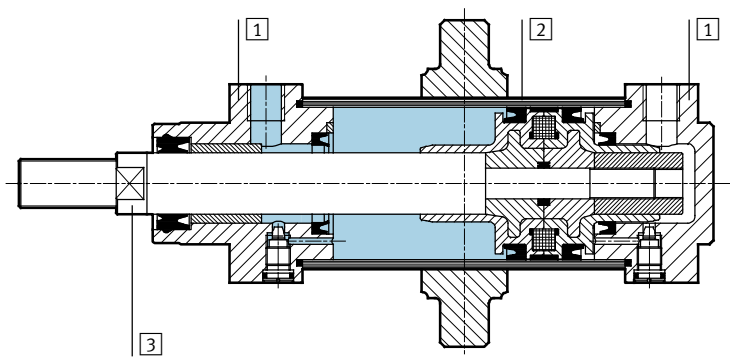
Technical data

## Materials

Sectional view DNG



Sectional view DNGZK



Standard cylinder	DNG	DNGZK
1 Bearing and end caps	Aluminium	Die-cast aluminium (∅ 160/200: die-cast aluminium)
2 Cylinder barrel	Aluminium	Aluminium (∅ 160/200: brass)
3 Piston rod, tie rod	High-alloy steel	
- Seals	Polyurethane, nitrile rubber	

# Standard cylinders DNG/DNGZK/DNGZS, ISO 15552

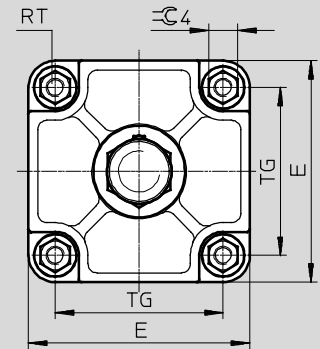
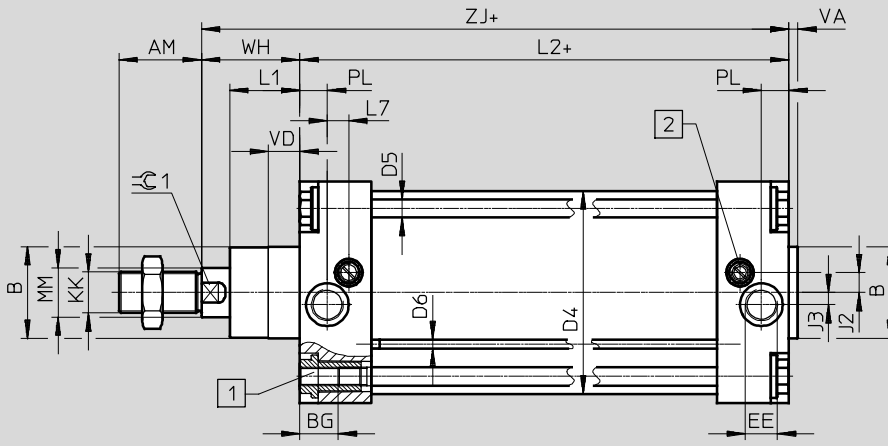
Technical data

FESTO

## Dimensions

Download CAD data → [www.festo.com](http://www.festo.com)

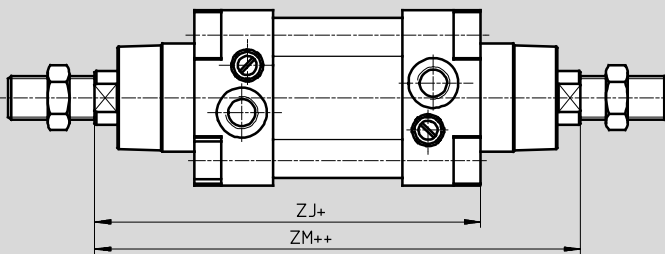
DNG



- 1 Socket head screw with female thread for mounting attachments
- 2 Regulating screw for adjustable end-position cushioning

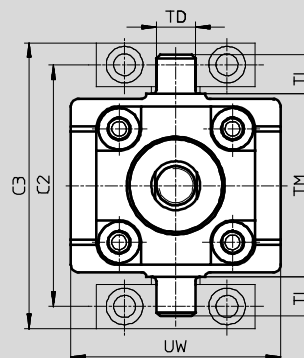
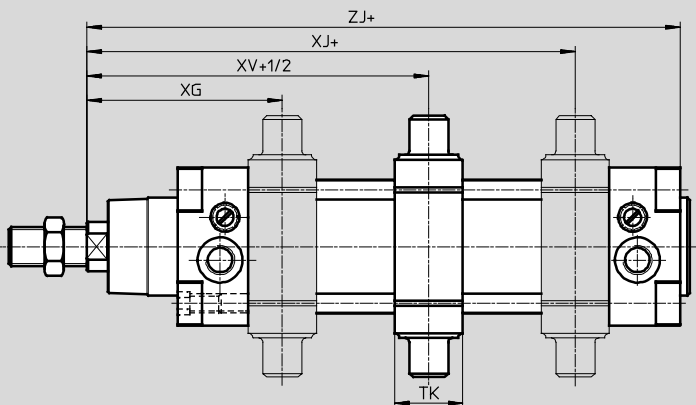
+ = plus stroke length

## Variant S2 – Through piston rod



- + = plus stroke length
- ++ = plus 2x stroke length

## DNGZK/DNGZS – with central trunnion mounting adjustable, fixed



- + = plus stroke length
- +1/2 = plus half stroke length


# Standard cylinders DNG/DNGZK/DNGZS, ISO 15552

Technical data

∅ [mm]	AM	B ∅ d11	BG	C2	C3	D4 ∅	D5 ∅	E	EE	J2	J3
125	54	60	25	192	217	133	12	145	G½	13	8
160	72	65	24	245	280	167	16	186	G¾	16	22
200	72	75	24	295	330	210	16	230	G¾	22	22
250	84	90	25.5	375	420	254	18.3	270	G1	25	25
320	96	110	28.5	465	520	325	22	340	G1	30	30

∅ [mm]	KK	L1	L2	L7	MM ∅	PL	RT	TD ∅ e9	TG	TK	TL
125	M27x2	46	160 ±1	14	32	18	M12	25	110	44	25
160	M36x2	55	180 ±1.1	8.5	40	25.5	M16	32	140	48	32
200	M36x2	65	180 ±1.6	–	40	23	M16	32	175	48	32
250	M42x2	67	200 ±2	–	50	31	M20	40	220	60	40
320	M48x2	82	220 ±2	–	63	31	M24	50	270	70	50

∅ [mm]	TM	UW	VA	VD	WH	XG	XJ	XV	ZJ	ZM	≈C1	≈C4
125	160	160	6	20.5	65	136 ±2.2	154 ±2.2	145 ±2.2	225	290	27	19
160	200	200	6	–	80	155 ±2.6	185 ±2.6	170 ±2.6	260	340	36	32
200	250	240	6	–	95	165 ±2.2	205 ±2.2	185 ±2.2	275	370	36	32
250	320	270	10	–	105	187	223	205	305	410	46	36
320	400	340	10	–	120	211	249	230	340	460	55	46

 Note


DNGZS-250/-320-...-PPV-A:  
The central trunnion mounting is fitted as standard tightly screwed with the tie rods in the cylinder mid-section. As a special design,

mounting is possible between the dimensions XG and XJ.  
The required dimension XV must be entered in the order (→ 16).

# Standard cylinders DNG/DNGZK/DNGZS, ISO 15552

FESTO

Technical data


Ordering data							
Design	Stroke [mm]	Piston Ø 125 [mm] Part No. Type <sup>1)</sup>		Piston Ø 160 [mm] Part No. Type <sup>1)</sup>		Piston Ø 200 [mm] Part No. Type <sup>1)</sup>	
<b>Basic version</b>							
	25	36393	DNG-125-25-PPV-A	-		-	
	40	36394	DNG-125-40-PPV-A	-		-	
	50	36395	DNG-125-50-PPV-A	-		-	
	80	36396	DNG-125-80-PPV-A	-		-	
	100	36397	DNG-125-100-PPV-A	-		-	
	125	36398	DNG-125-125-PPV-A	-		-	
	160	36399	DNG-125-160-PPV-A	-		-	
	200	36400	DNG-125-200-PPV-A	-		-	
	250	36401	DNG-125-250-PPV-A	-		-	
	320	36402	DNG-125-320-PPV-A	-		-	
	400	36403	DNG-125-400-PPV-A	-		-	
	500	36404	DNG-125-500-PPV-A	-		-	
Variable stroke	1 ... 2,000 <sup>2)</sup>	30006	DNG-125-...-PPV-A	33024	DNG-160-...-PPV-A	33025	DNG-200-...-PPV-A
	1 ... 1,100 <sup>2)</sup>	-	-	-	-	-	-
Variant S2	1 ... 2,000 <sup>2)</sup>	34631	DNG-125-...-PPV-A-S2	34632	DNG-160-...-PPV-A-S2	34633	DNG-200-...-PPV-A-S2
	1 ... 1,100 <sup>2)</sup>	-	-	-	-	-	-
Variant S3	1 ... 2,000 <sup>2)</sup>	34979	DNG-125-...-PPV-A-S3	34980	DNG-160-...-PPV-A-S3	34981	DNG-200-...-PPV-A-S3
	1 ... 1,100 <sup>2)</sup>	-	-	-	-	-	-
Variant S6	1 ... 2,000 <sup>2)</sup>	34860	DNG-125-...-PPV-A-S6	34861	DNG-160-...-PPV-A-S6	34862	DNG-200-...-PPV-A-S6
	1 ... 1,100 <sup>2)</sup>	-	-	-	-	-	-
Variant S8	1 ... 2,000 <sup>2)</sup>	35459	DNG-125-...-PPV-A-S8	35497	DNG-160-...-PPV-A-S8	35498	DNG-200-...-PPV-A-S8
	1 ... 1,100 <sup>2)</sup>	-	-	-	-	-	-
<b>with adjustable central trunnion mounting</b>							
Variable stroke	1 ... 2,000 <sup>2)</sup>	34446	DNGZK-125-...-PPV-A	34447	DNGZK-160-...-PPV-A	34456	DNGZK-200-...-PPV-A
Variant S3	1 ... 2,000 <sup>2)</sup>	34944	DNGZK-125-...-PPV-A-S3	34945	DNGZK-160-...-PPV-A-S3	34946	DNGZK-200-...-PPV-A-S3
Variant S6	1 ... 2,000 <sup>2)</sup>	34953	DNGZK-125-...-PPV-A-S6	34954	DNGZK-160-...-PPV-A-S6	34955	DNGZK-200-...-PPV-A-S6
Variant S8	1 ... 2,000 <sup>2)</sup>	35525	DNGZK-125-...-PPV-A-S8	35526	DNGZK-160-...-PPV-A-S8	35527	DNGZK-200-...-PPV-A-S8

1) The scope of delivery includes a hex nut for the piston rod thread.

2) Cylinders with position sensing require a minimum stroke of 10 mm to ensure reliable sensing

# Standard cylinders DNG/DNGZK/DNGZS, ISO 15552

Technical data

Ordering data					
Design	Stroke [mm]	Piston Ø 250 [mm]		Piston Ø 320 [mm]	
		Part No.	Type <sup>1)</sup>	Part No.	Type <sup>1)</sup>
<b>Basic version</b>					
	25	-		-	
	40	-		-	
	50	-		-	
	80	-		-	
	100	-		-	
	125	-		-	
	160	-		-	
	200	-		-	
	250	-		-	
	320	-		-	
	400	-		-	
	500	-		-	
	Variable stroke	1 ... 2,000 <sup>2)</sup>	-		-
1 ... 1,100 <sup>2)</sup>		<b>151892</b>	<b>DNG-250-...-PPV-A</b>	<b>151897</b>	<b>DNG-320-...-PPV-A</b>
Variant S2	1 ... 2,000 <sup>2)</sup>	-		-	
	1 ... 1,100 <sup>2)</sup>	<b>151893</b>	<b>DNG-250-...-PPV-A-S2</b>	<b>151898</b>	<b>DNG-320-...-PPV-A-S2</b>
Variant S3	1 ... 2,000 <sup>2)</sup>	-		-	
	1 ... 1,100 <sup>2)</sup>	<b>151894</b>	<b>DNG-250-...-PPV-A-S3</b>	<b>151899</b>	<b>DNG-320-...-PPV-A-S3</b>
Variant S6	1 ... 2,000 <sup>2)</sup>	-		-	
	1 ... 1,100 <sup>2)</sup>	<b>151895</b>	<b>DNG-250-...-PPV-A-S6</b>	<b>151900</b>	<b>DNG-320-...-PPV-A-S6</b>
Variant S8	1 ... 2,000 <sup>2)</sup>	-		-	
	1 ... 1,100 <sup>2)</sup>	<b>151896</b>	<b>DNG-250-...-PPV-A-S8</b>	<b>151901</b>	<b>DNG-320-...-PPV-A-S8</b>
<b>with fixed central trunnion mounting</b>					
Variable stroke	1 ... 1,100 <sup>2)</sup>	➔ 16			

1) The scope of delivery includes a hex nut for the piston rod thread.  
 2) Cylinders with position sensing require a minimum stroke of 10 mm to ensure reliable sensing

# Standard cylinders DNG/DNGZK/DNGZS, to ISO 15552

Ordering data – Modular product DNGZS

M Mandatory data						O Options		
Module No.	Function	Piston Ø	Stroke	Cushioning	Position sensing	Trunnion flange position	Temperature-resistant	Corrosion protection
157500 157504	DNGZS	250 320	10 ... 1 100	PPV	A	...XV	S6	S3 S8
<b>Ordering example</b>								
<b>157504</b>	<b>DNGZS</b>	<b>- 320</b>	<b>- 600</b>	<b>- PPV</b>	<b>- A</b>	<b>- 215XV</b>	<b>- S6</b>	<b>- S3</b>

Ordering table					
Size	250	320	Condi- tions	Code	Enter code
<b>M</b> Module No.	<b>157500</b>	<b>157504</b>			
Function	Standard cylinder, double-acting, with central trunnion mounting to ISO 15552			<b>DNGZS</b>	DNGZS
Piston Ø [mm]	250	320		-...	
Stroke [mm]	10 ... 1 100			-...	
Cushioning	Pneumatic cushioning adjustable at both ends			<b>-PPV</b>	-PPV
Position sensing	For proximity sensing			<b>-A</b>	-A
<b>O</b> Trunnion flange position [mm]	187 ... 1 323	211 ... 1 349	<b>1</b>	<b>-...XV</b>	
Temperature-resistant	Heat-resistant seals up to max. 120 °C			<b>-S6</b>	
Corrosion protection	Stainless steel piston rod			<b>- S3</b>	
	High corrosion protection including piston rod, stainless steel		<b>2</b>	<b>-S8</b>	

**1** ...XV Trunnion flange at standard mid-position of cylinder:  
Piston Ø 250 mm:  $205 \text{ mm} + \frac{\text{Stroke}}{2}$   
Piston Ø 320 mm:  $230 \text{ mm} + \frac{\text{Stroke}}{2}$

**2** S8 Not with S6.

Transfer order code

	<b>DNGZS</b>	-		-		-	<b>PPV</b>	-	<b>A</b>	-		-		-	
--	--------------	---	--	---	--	---	------------	---	----------	---	--	---	--	---	--



# Standard cylinders DNG/DNGZK/DNGZS, ISO 15552



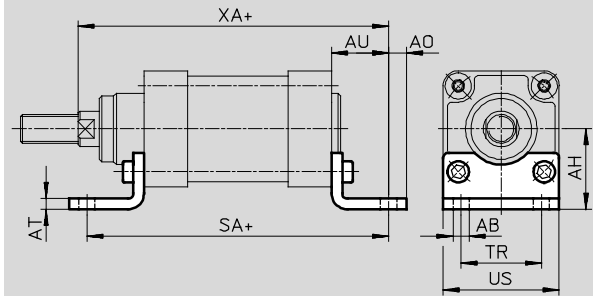
Accessories

## Foot mounting HNG

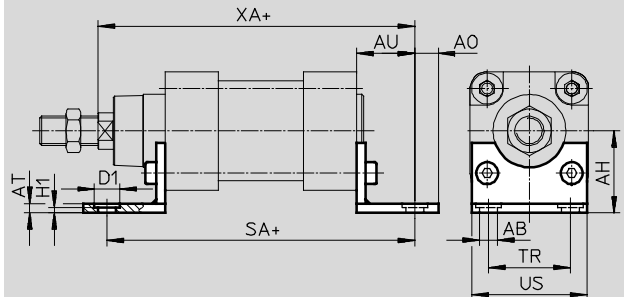
Material:  
Galvanised steel  
Free of copper and PTFE



For piston  $\varnothing$  125 ... 250



For piston  $\varnothing$  320



+ = plus stroke length

Dimensions and ordering data																
For $\varnothing$ [mm]	AB $\varnothing$ H14	AH	AO	AT	AU	D1	H1	SA	TR	US	XA	CRC <sup>1)</sup>	Weight [g]	Part No.	Type	
125	16.5	90	22	8	45	-	-	250	90	131	270	2	2,025	<b>32953</b>	<b>HNG-125</b>	
160	18.5	115	20	10	60	-	-	300	115	169	320	2	2,200	<b>34476</b>	<b>HNG-160</b>	
200	24	135	30	12	70	-	-	320	135	214	345	2	3,795	<b>34477</b>	<b>HNG-200</b>	
250	28	165	35	20	75	-	-	350	165	270	380	2	8,000	<b>157510</b>	<b>HNG-250</b>	
320	35	200	40	25	85	60	23	390	200	340	425	2	13,000	<b>157511</b>	<b>HNG-320</b>	

1) Corrosion resistance class 2 according to Festo standard 940 070  
Components requiring moderate corrosion resistance. Externally visible parts with primarily decorative surface requirements which are in direct contact with a surrounding industrial atmosphere or media such as cooling or lubricating agents

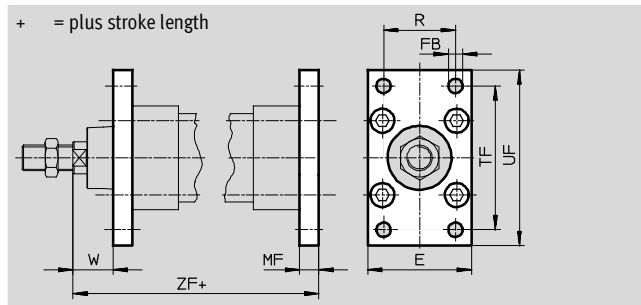
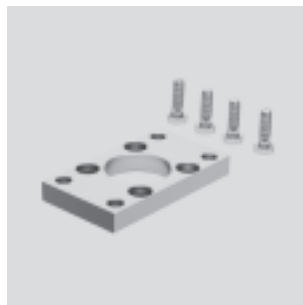
# Standard cylinders DNG/DNGZK/DNGZS, ISO 15552



Accessories

## Flange mounting FNG

Material:  
Painted nodular graphite cast iron  
Free of copper and PTFE



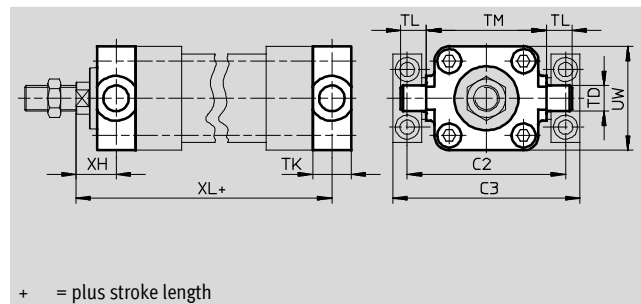
Dimensions and ordering data												
For $\varnothing$	E	FB	MF	R	TF	UF	W	ZF	CRC <sup>1)</sup>	Weight	Part No.	Type
[mm]		$\varnothing$								[g]		
125	140	16	20	90	180	220	45	245	1	2,216	<b>32946</b>	<b>FNG-125</b>
160	180	18	20	115	230	280	60	280	1	3,550	<b>34478</b>	<b>FNG-160</b>
200	220	22	25	135	270	320	70	300	1	5,321	<b>34479</b>	<b>FNG-200</b>
250	270	26	25	165	330	390	80	330	1	8,657	<b>157508</b>	<b>FNG-250</b>
320	340	33	30	200	400	470	90	370	1	15,109	<b>157509</b>	<b>FNG-320</b>

1) Corrosion resistance class 1 according to Festo standard 940 070  
Components with light corrosion exposure. Protection for transport and storage. Components without significant decorative function or surface, e.g. installed out of sight internally or behind covers.

## Trunnion flange ZNG

for trunnion mounting LNZG

Material:  
Corrosion resistant cast steel  
Free of copper and PTFE



Dimensions and ordering data													
For $\varnothing$	C2	C3	TD	TK	TL	TM	UW	XH	XL	CRC <sup>1)</sup>	Weight	Part No.	Type
[mm]			$\varnothing$ e9								[g]		
125	192	217	25	50	25	160	150	40	250	2	3,484	<b>31760</b>	<b>ZNG-125</b>

1) Corrosion resistance class 2 according to Festo standard 940 070  
Components requiring moderate corrosion resistance. Externally visible parts with primarily decorative surface requirements which are in direct contact with a surrounding industrial atmosphere or media such as cooling or lubricating agents

# Standard cylinders DNG/DNGZK/DNGZS, ISO 15552



Accessories

## LNZG trunnion support

Material:

Trunnion support:

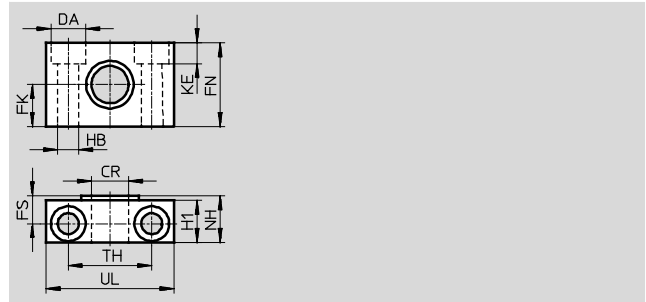
125: Anodised aluminium

160 ... 320: Galvanised steel

Plain bearing:

125 ... 200: Plastic

250 ... 320: Sintered bronze



Free of copper and PTFE

Dimensions and ordering data															
For $\varnothing$	CR	DA	FK	FN	FS	H1	HB	KE	NH	TH	UL	CRC <sup>1)</sup>	Weight	Part No.	Type
[mm]	$\varnothing$	$\varnothing$	$\varnothing$				$\varnothing$						[g]		
125	25 D11	20	25 ±0.1	50	16	24.5	14	13	28.5	50 ±0.2	75	2	306	<b>32962</b>	<b>LNZG-100/125</b>
160/200	32 D11	26	30 ±0.2	60	22.5	36	18	17	40	60 ±0.3	92	2	659	<b>35780</b>	<b>LNZG-160/200</b>
250	40 G7	33	35 ±0.2	70	27.5	45	22	21.5	50	90 ±0.3	140	2	2,218	<b>157516</b>	<b>LNZG-250</b>
320	50 G7	40	40 ±0.2	80	32.5	55	26	21.5	60	100 ±0.3	150	2	2,934	<b>157517</b>	<b>LNZG-320</b>

1) Corrosion resistance class 2 according to Festo standard 940 070

Components requiring moderate corrosion resistance. Externally visible parts with primarily decorative surface requirements which are in direct contact with a surrounding industrial atmosphere or media such as cooling or lubricating agents

## Swivel flange SNG

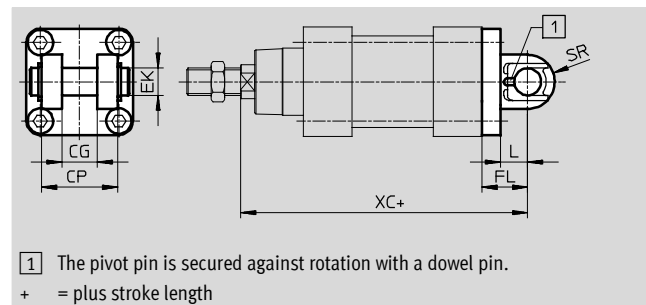
for clevis foot LSNG/LSNSG

Material:

Die-cast aluminium

RoHS-compliant

Free of copper and PTFE



Dimensions and ordering data											
For $\varnothing$	CG	CP	EK	FL	L	SR	XC	CRC <sup>1)</sup>	Weight	Part No.	Type
[mm]	H14	d12	$\varnothing$						[g]		
125	37	97	30	50	30	26	275	2	1,805	<b>32974</b>	<b>SNG-125</b>
160	43	122	35	55	35	32	315	2	3,285	<b>152597</b>	<b>SNG-160</b>
200	43	122	35	60	35	32	335	2	4,600	<b>152598</b>	<b>SNG-200</b>

1) Corrosion resistance class 2 according to Festo standard 940 070

Components requiring moderate corrosion resistance. Externally visible parts with primarily decorative surface requirements which are in direct contact with a surrounding industrial atmosphere or media such as cooling or lubricating agents

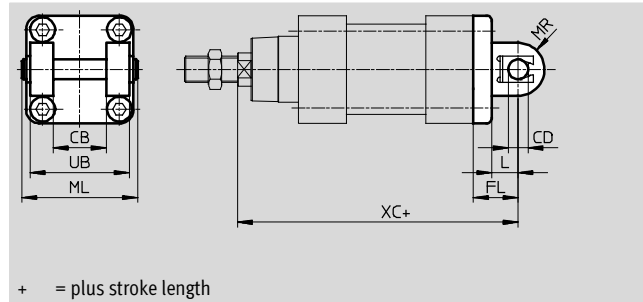
# Standard cylinders DNG/DNGZK/DNGZS, ISO 15552



Accessories

## Swivel flange SNGB for clevis foot LN/LSN

Material:  
Die-cast aluminium  
Ø 200: Steel

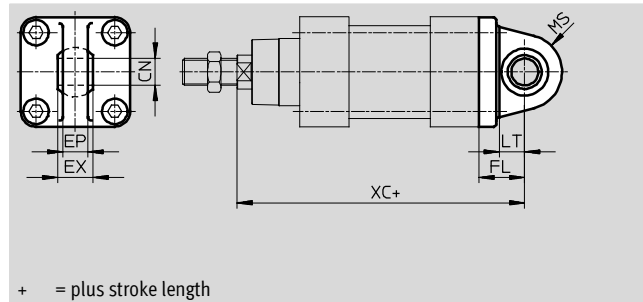


Dimensions and ordering data												
For Ø	CB	CD	FL	L	ML	MR	UB	XC	CRC <sup>1)</sup>	Weight	Part No.	Type
[mm]	Ø	Ø					h14			[g]		
125	70	25	50	30	148	25	130	275	2	1,750	34546	SNGB-125
160	90	30	55	37	191	30	170	315	2	7,000	34547	SNGB-160
200	90	30	60	35	191	36	170	335	2	11 000	562455	SNGB-200-B
250	110	40	70	47	231	40	200	375	2	15 200	157512	SNGB-250
320	120	45	80	52	253	45	220	420	2	26 450	157513	SNGB-320

1) Corrosion resistance class 2 according to Festo standard 940 070  
Components requiring moderate corrosion resistance. Externally visible parts with primarily decorative surface requirements which are in direct contact with a surrounding industrial atmosphere or media such as cooling or lubricating agents

## Swivel flange SSNG with spherical bearing for clevis foot LBG

Material:  
Nodular graphite cast iron



Dimensions and ordering data												
For Ø	CN	EP	EX	FL	LT	MS	XC	CRC <sup>1)</sup>	Weight	Part No.	Type	
[mm]	Ø								[g]			
125	30	25	37	50	28	40	275	2	3,082	34568	SSNG-125	

1) Corrosion resistance class 2 according to Festo standard 940 070  
Components requiring moderate corrosion resistance. Externally visible parts with primarily decorative surface requirements which are in direct contact with a surrounding industrial atmosphere or media such as cooling or lubricating agents

# Standard cylinders DNG/DNGZK/DNGZS, ISO 15552

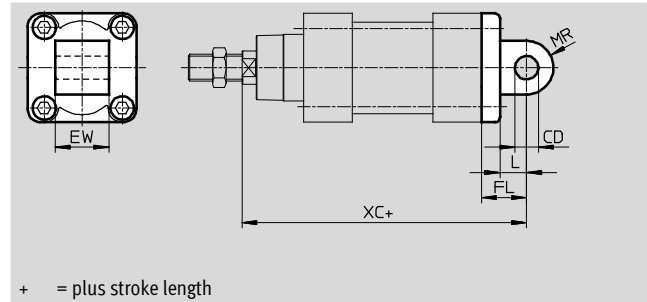


Accessories

## Swivel flange SNGL

Material:  
Die-cast aluminium

Variant CT:  
Free of copper and PTFE



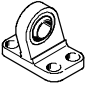


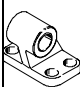
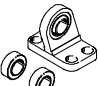
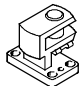
Dimensions and ordering data										
For $\varnothing$	CD $\varnothing$	EW	FL	L	MR	XC	CRC <sup>1)</sup>	Weight [g]	Part No.	Type
[mm]										
125	25	70	50	30	25	275	2	1,433	<b>151533</b>	<b>SNGL-125</b>
160	30	90	55	35	25	315	2	2,252	<b>151534</b>	<b>SNGL-160</b>
200	30	90	60	35	25	335	2	3,306	<b>151535</b>	<b>SNGL-200</b>


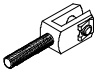
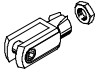
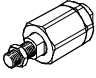
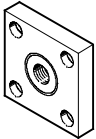
1) Corrosion resistance class 2 according to Festo standard 940 070  
Components requiring moderate corrosion resistance. Externally visible parts with primarily decorative surface requirements which are in direct contact with a surrounding industrial atmosphere or media such as cooling or lubricating agents

# Standard cylinders DNG/DNGZK/DNGZS, ISO 15552

FESTO

Accessories



Ordering data – Mounting attachments				Technical data → Internet: clevis foot			
Designation	For Ø	Part No.	Type	Designation	For Ø	Part No.	Type
<b>Clevis foot LSNG</b>				<b>Weld-on clevis foot LSNSG</b>			
	125	31746	LSNG-125		125	31753	LSNSG-125
	160	152599	LSNG-160		160	–	
	200	152600	LSNG-200		200	–	
<b>Clevis foot LBG</b>				<b>Clevis foot LNG</b>			
	125	31767	LBG-125		125	33896	LNG-125
	160	–			160	–	
	200	–			200	33898	LNG-200
<b>Clevis foot LSN</b>				<b>Clevis foot, right-angled LQG</b>			
	125	6987	LSN-125		125	31774	LQG-125
	160	6988	LSN-160		160	–	
	200	6989	LSN-200		200	–	
	250	6990	LSN-250		250	–	
	320	6991	LSN-320		320	–	

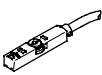
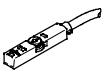
Ordering data – Piston rod attachments				Technical data → Internet: piston-rod attachment			
Designation	For Ø	Part No.	Type	Designation	For Ø	Part No.	Type
	125	10774	SGS-M27x2		125	10770	SGA-M27x2
	160	10775	SGS-M36x2		160	10775	SGA-M36x2
	200				200	–	
	250	10776	SGS-M42x2		–	–	
	320	10777	SGS-M48x2		–	–	
<b>Rod clevis SG</b>				<b>Self-aligning rod coupler FK</b>			
	125	14987	SG-M27x2-B		125	10485	FK-M27x2
	160	9581	SG-M36x2		160	10746	FK-M36x2
	200				200	–	
	250	9582	SG-M42x2		250	–	
	320	9583	SG-M48x2		320	–	
<b>Coupling piece KSG</b>							
	100						
	125	32967	KSG-M27x2				

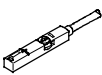
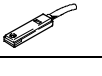
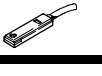
# Standard cylinders DNG/DNGZK/DNGZS, ISO 15552

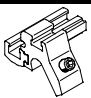
FESTO

Accessories

Ordering data – Connecting cables				Technical data → Internet: nebu	
	Electrical connection, left	Electrical connection, right	Cable length [m]	Part No.	Type
	Straight socket, M8x1, 3-pin	Cable, open end, 3-wire	2.5	541333	NEBU-M8G3-K-2.5-LE3
			5	541334	NEBU-M8G3-K-5-LE3
	Angled socket, M8x1, 3-pin	Cable, open end, 3-wire	2.5	541338	NEBU-M8W3-K-2.5-LE3
			5	541341	NEBU-M8W3-K-5-LE3


Ordering data – Proximity sensors for T-slot, magneto-resistive				Technical data → Internet: smt	
	Type of mounting	Switch output	Electrical connection	Cable length [m]	Part No. Type
<b>N/O contact</b>					
	Insertable in the slot from above, flush with cylinder profile, short design	PNP	Cable, 3-wire	2.5	574335 SMT-8M-A-PS-24V-E-2,5-OE
			Plug M8x1, 3-pin	0.3	574334 SMT-8M-A-PS-24V-E-0,3-M8D
			Plug M12x1, 3-pin	0.3	574337 SMT-8M-A-PS-24V-E-0,3-M12
		NPN	Cable, 3-wire	2.5	574338 SMT-8M-A-NS-24V-E-2,5-OE
Plug M8x1, 3-pin	0.3		574339 SMT-8M-A-NS-24V-E-0,3-M8D		
<b>N/C contact</b>					
	Insertable in the slot from above, flush with cylinder profile, short design	PNP	Cable, 3-wire	7.5	574340 SMT-8M-A-PO-24V-E-7,5-OE


Ordering data – Proximity sensors for T-slot, magnetic reed				Technical data → Internet: sme	
	Type of mounting	Switch output	Electrical connection	Cable length [m]	Part No. Type
<b>N/O contact</b>					
	Insertable in the slot from above, flush with cylinder profile	Contacting	Cable, 3-wire	2.5	543862 SME-8M-DS-24V-K-2,5-OE
				5.0	543863 SME-8M-DS-24V-K-5,0-OE
			Cable, 2-wire	2.5	543872 SME-8M-ZS-24V-K-2,5-OE
			Plug M8x1, 3-pin	0.3	543861 SME-8M-DS-24V-K-0,3-M8D
	Insertable in the slot lengthwise, flush with the cylinder profile	Contacting	Cable, 3-wire	2.5	150855 SME-8-K-LED-24
			Plug M8x1, 3-pin	0.3	150857 SME-8-S-LED-24
<b>N/C contact</b>					
	Insertable in the slot lengthwise, flush with the cylinder profile	Contacting	Cable, 3-wire	7.5	160251 SME-8-O-K-LED-24

Ordering data – Mounting kits for proximity sensors SME/SMT-8			Technical data → Internet: smbz	
	For Ø	Materials	Part No.	Type
	125 ... 320 mm	Rail: Wrought aluminium alloy, anodised Screws: High-alloy steel Free of copper and PTFE	537808	SMBZ-8-125/320

# Standard cylinders DNG/DNGZK/DNGZS, ISO 15552

Accessories

Ordering data – Rectangular proximity sensors, magneto-resistive						Technical data → Internet: smto	
	Mounting	Switch output	Electrical connection		Cable length [m]	Part No.	Type
			Cables	M8 plug			
NO contact							
	Via accessories	PNP	3-wire	–	2.5	151683	SMT0-1-PS-K-LED-24-C
			–	3-pin	–	151685	SMT0-1-PS-S-LED-24-C
		NPN	3-wire	–	2.5	151684	SMT0-1-NS-K-LED-24-C
			–	3-pin	–	151686	SMT0-1-NS-S-LED-24-C

Ordering data – Rectangular proximity sensors, magnetic reed						Technical data → Internet: smeo	
	Mounting	Electrical connection		Cable length [m]	Part No.	Type	
		Cables	M8 plug				
NO contact							
	Via accessories	3-wire	–	2.5	30459	SME0-1-LED-24-B	
		3-wire	–	5.0	151672	SME0-1-LED-24-K5-B	
		–	3-pin	–	150848	SME0-1-S-LED-24-B	

Ordering data – Mounting kits for proximity sensors SME0/SMT0-1					Technical data → Internet: smb	
	For Ø	Mounting		Part No.	Type	
	125 ... 320 mm	Directly on the mounting or tie rod		11886	SMB-1	