

Suction cups VAS/VASB

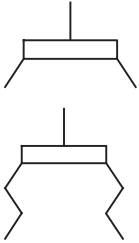


Suction cups

Key features

Product overview

Suction gripper and suction cup



Festo vacuum suction grippers offer outstanding functionality and quality.

An extensive range of modular suction cups in different shapes, materials and sizes, plus a wide selection of suction cup holders, angle and height compensators and filters within the

modular suction gripper system, provide users with a huge range of possible combinations for a wide variety of applications.

Suction grippers ESG

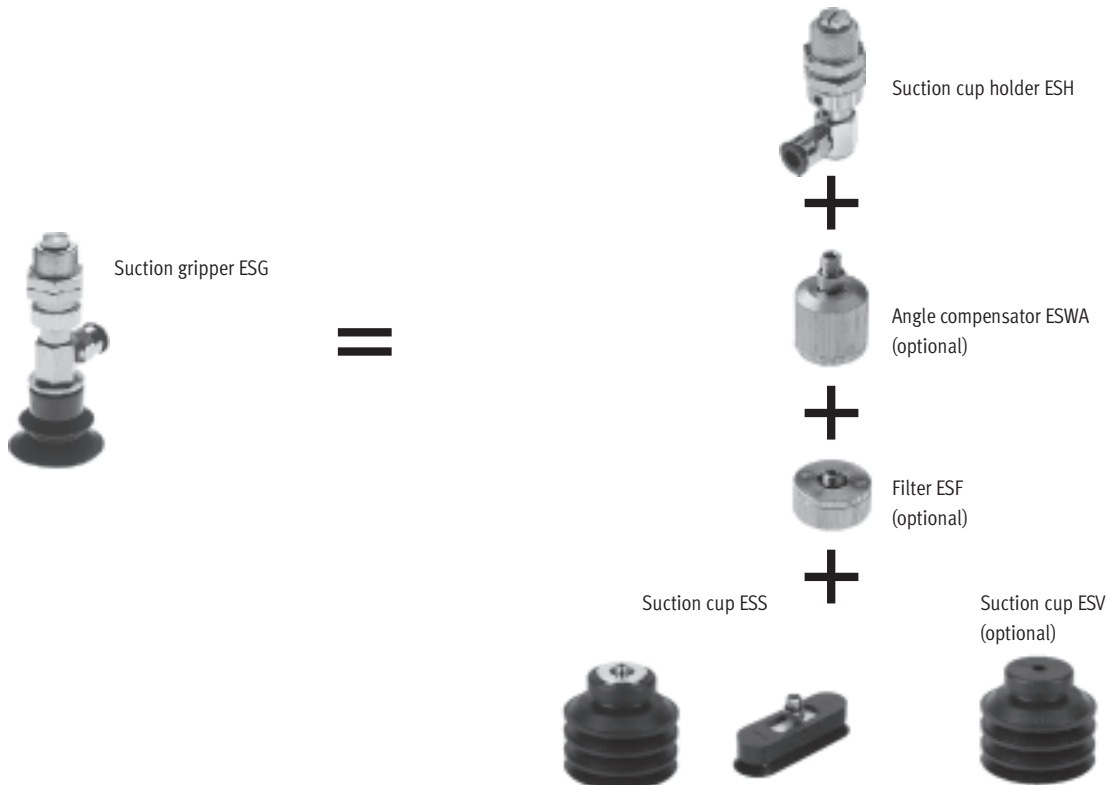
Technical data → Internet: esg

Modular products with over 2000 variants

- The ideal solution for the transport of workpieces of different weights, surfaces and shapes
- Choose from:
 - 15 suction cup diameters
 - 5 different materials – including antistatic types
 - 5 suction cup shapes
 - Various suction cup holders
 - Optional accessories (filters and angle compensators)
- Wide range of variants
- A suitable solution for every task
- Wide range to suit applications with various temperature ranges and workpiece surfaces
- Suction cups made from silicone are approved for use in the food industry

Suction grippers as a complete solution

Suction grippers made from individual components



Suction cups

Key features

FESTO

Suction cups VAS/VASB

Sturdy and reliable

- The ideal solution for the transport of workpieces of different weights, surfaces and shapes
- Choose from:
 - 12 suction cup diameters
 - 2 suction cup shapes: round and bellows design
 - 3 suction cup materials: nitrile rubber, polyurethane and silicone for use in a wide variety of applications
- Wide range to suit applications with various temperature ranges and workpiece surfaces
- Suction cups made from silicone are approved for use in the food industry
- All tubing connector sizes correspond to a holder size



Suction cups VAS/VASB

Features

Suction cups with fixed connecting thread

- VAS: 1 ... 125 mm diameter
- VASB: 8 ... 125 mm diameter
- Suction retention of workpieces with smooth, impervious surfaces
- Bellows suction cups can adapt to suit uneven, curved and inclined surfaces

Nitrile rubber (NBR)

- Minimal markings left on shiny surfaces

Polyurethane (PUR)

- Long service life
- Gentle handling with soft suction cup material

Silicone (SI)

- Excellent thermal resistance
- Approved for use in the food industry



Accessories

Vacuum security valve ISV

Technical data → Internet: isv

- Vacuum does not dissipate when any of several suction cups arranged in parallel fail to maintain contact
- Saves compressed air and energy



Height compensator VAL

Technical data → Internet: val

- Gentle handling of the workpieces by compensating for tolerance differences in the workpiece thickness.



Elbow fitting LJK

Technical data → Internet: ljk

- Redirection of air connection
- Swivel joint rotatable 360°



Adapter AD

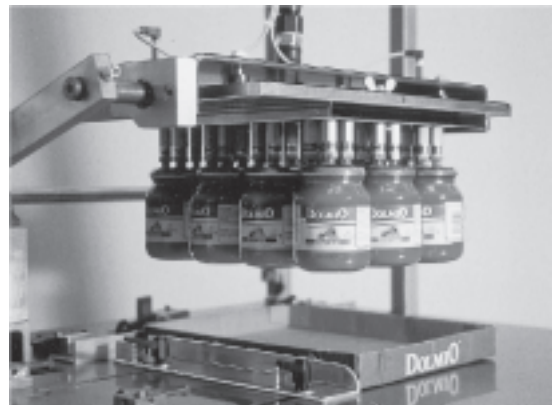
Technical data → Internet: ad

- For connection of suction cup with piston rod thread, for example



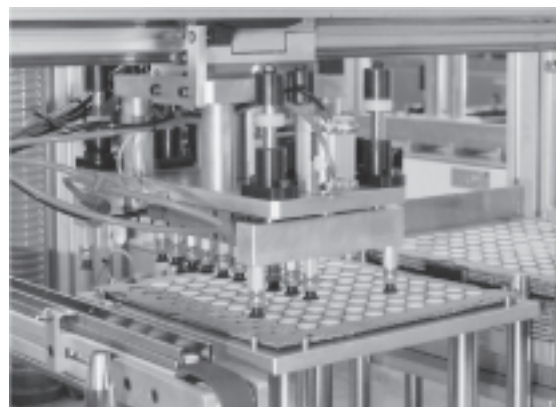
Vacuum technology can be used in a wide range of applications

- Lifting
- Placing
- Moving
- Insertion
- Conveying
- Gripping
- Holding
- Loading
- Clamping
- Transporting
- Repositioning
- Turning




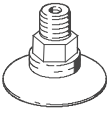
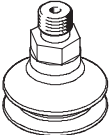
Flexible automation technology is an important field of application for vacuum technology:

- Small, mid-sized and large series manufacturing
- Assembly
- Conveyor and packaging technology



Suction cups VAS/VASB

Product range overview

Version	Version	Type	Suction cup diameter	Suction cup mounting	Vacuum port	Suction cup materials	→ Page/ Internet
Round, standard	Vacuum port on side						
		VAS	8	M5	PK-3	TPE-U(PU)	6
	Vacuum port on top						
		VAS	1, 2, 5, 8, 10, 15, 30, 40, 55, 75, 100, 125	M3, M5, G $\frac{1}{8}$, G $\frac{1}{4}$, G $\frac{3}{8}$	M3, M5, G $\frac{1}{8}$, G $\frac{1}{4}$, G $\frac{3}{8}$	NBR	7
	8, 10, 15, 30, 40, 55, 75, 100, 125		M5, G $\frac{1}{8}$, G $\frac{1}{4}$, G $\frac{3}{8}$	M5, G $\frac{1}{8}$, G $\frac{1}{4}$, G $\frac{3}{8}$	VMQ (silicone)	7	
	8, 10, 15, 30, 40, 55, 75, 100, 125		M5, G $\frac{1}{8}$, G $\frac{1}{4}$, G $\frac{3}{8}$	M5, G $\frac{1}{8}$, G $\frac{1}{4}$, G $\frac{3}{8}$	PUR	12	
Round, bellows, 1.5 convolutions	Vacuum port on top						
		VASB	8, 15, 30, 40, 55, 75, 100, 125	M5, G $\frac{1}{8}$, G $\frac{1}{4}$, G $\frac{3}{8}$	M5, G $\frac{1}{8}$, G $\frac{1}{4}$, G $\frac{3}{8}$	NBR	15
			8, 15, 30, 40, 55, 75, 100, 125	M5, G $\frac{1}{8}$, G $\frac{1}{4}$, G $\frac{3}{8}$	M5, G $\frac{1}{8}$, G $\frac{1}{4}$, G $\frac{3}{8}$	VMQ (silicone)	15
			8, 15, 30, 40, 55, 75, 100, 125	M5, G $\frac{1}{8}$, G $\frac{1}{4}$, G $\frac{3}{8}$	M5, G $\frac{1}{8}$, G $\frac{1}{4}$, G $\frac{3}{8}$	PUR	19

Suction cups VAS-...-S

Technical data

FESTO

Function



-N- Diameter
8 mm
Temperature range
-20 ... +60 °C

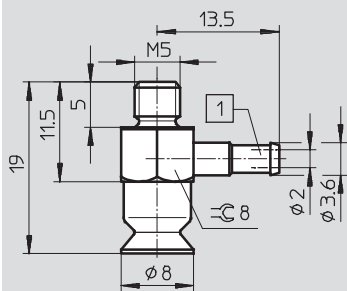


General technical data		
Suction cup diameter	[mm]	8
Suction cup mounting		M5
Vacuum port		PK-3
Nominal size	[mm]	2
Design		Round, standard, vacuum port on side
Mounting position		Any
Breakaway force at 70% vacuum	[N]	1.6
Effective suction cup diameter	[mm]	5.5

Operating and environmental conditions		
Operating medium		Atmospheric air
Ambient temperature	[°C]	-20 ... +60

Materials	
Suction cup	TPE-U(PU)
Threaded plug	Brass

Dimensions Download CAD Data → www.festo.com/us/cad



1 Barbed connector for tubing
I.D. 3 mm

Ordering data			
Suction cup diameter [mm]	Vacuum port	Part No.	Type
8	M5	12612	VAS-8-M5-S

Suction cups VAS-...-NBR/SI

Type codes

		VAS	-	30	-	1/8	-	NBR
Type								
VAS	Suction cup							
Suction cup diameter [mm]								
1	1							
2	2							
5	5							
8	8							
10	10							
15	15							
30	30							
40	40							
55	55							
75	75							
100	100							
125	125							
Vacuum port								
M3	Thread M3							
M5	Thread M5							
1/8	Thread G1/8							
1/4	Thread G1/4							
3/8	Thread G3/8							
Materials								
NBR	Nitrile rubber							
SI	Silicone							



Possible combinations can be found in the ordering data.

- 1 - VAS-...-SI to be discontinued
Available until 2012

Suction cups VAS-...-NBR/SI

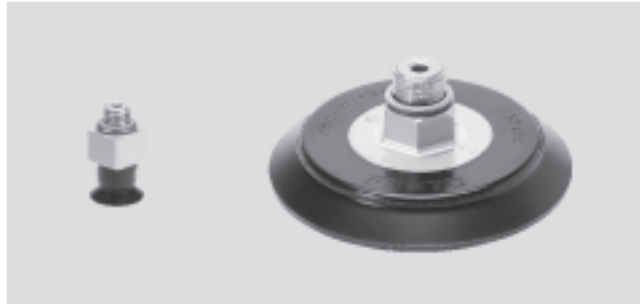
Technical data

FESTO

Function



-N- Diameter
1 ... 125 mm
Temperature range
-40 ... +200 °C



General technical data													
Suction cup diameter	[mm]	1	2	5	8	10	15	30	40	55	75	100	125
Vacuum port		M3	M3	M5	M5	M5	G1/8	G1/8	G1/4	G1/4	G1/4	G1/4	G3/8
Nominal size	[mm]	0.4	1	1.5	2	2	3	3	4	4	4	4	7
Design		Round, standard, vacuum port on top											
Type of mounting		Via vacuum port											
Mounting position		Any											
Breakaway force at 70% vacuum	[N]	0.035	0.14	0.9	1.6	4.5	7.9	34	56	106	197	397	606
Effective suction cup diameter	[mm]	0.8	1.6	4	5.5	8	12	25	32	44	60	85	105

Operating and environmental conditions		
Type	VAS-...-NBR	VAS-...-SI
Operating medium	Atmospheric air	
Ambient temperature	[°C] -20 ... +80	-40 ... +200
Corrosion resistance class CRC ¹⁾	2	

1) Corrosion resistance class 2 according to Festo standard 940 070

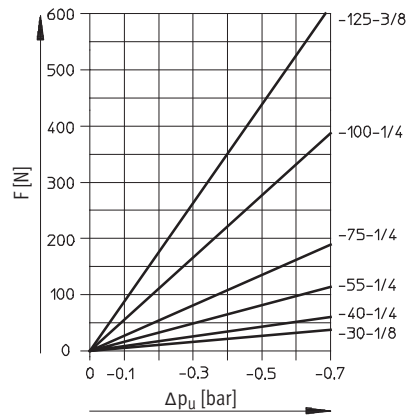
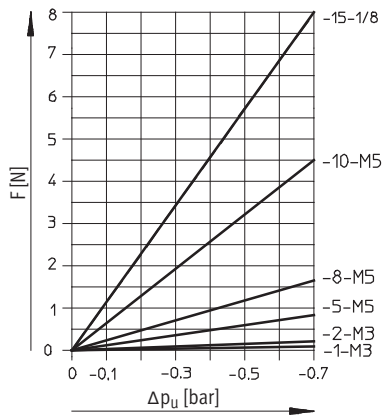
Components subject to moderate corrosion stress. Externally visible parts with primarily decorative surface requirements which are in direct contact with a normal industrial environment or media such as coolants or lubricating agents.

Materials		
Type	VAS-...-NBR	VAS-...-SI
Shore hardness	55 ±5 (suction cup diameter 1 ... 5 mm) 60 (suction cup diameter 8 ... 15 mm) 70 (suction cup diameter 30 ... 125 mm)	60 ±5
Suction cup	NBR	VMQ (silicone)
Threaded plug	Die-cast zinc (suction cup diameter 1, 2, 15 ... 100 mm) Brass (suction cup diameter 5 ... 10 mm) Wrought aluminium alloy (suction cup diameter 125 mm)	Wrought aluminium alloy
Note on materials	-	Contains PWIS (paint wetting impairment substances)

Suction cups VAS-...-NBR/SI

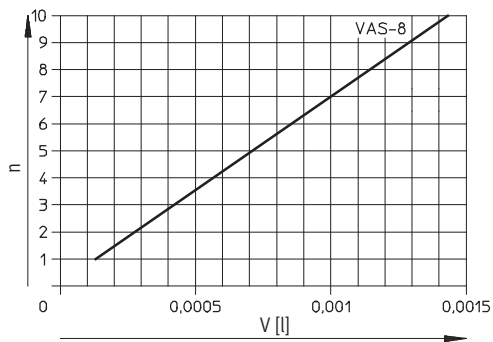
Technical data

Theoretical suction force F as a function of vacuum p_u

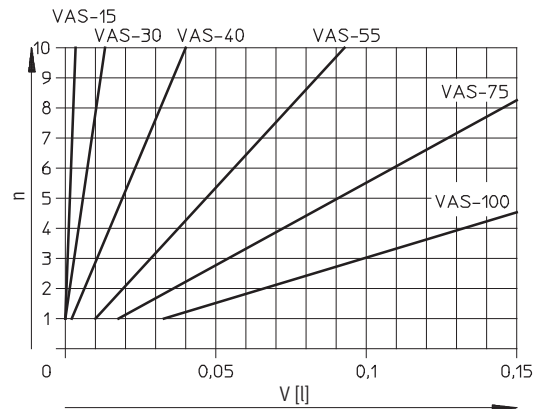


Suction cup volume

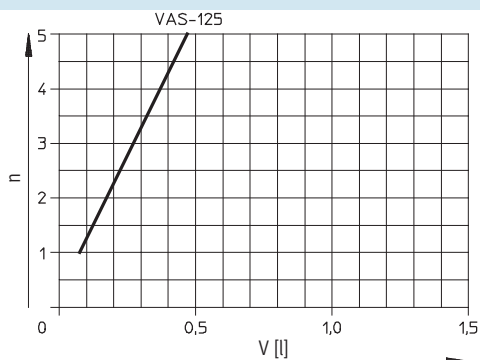
VAS-8




VAS-15 ... 100



VAS-125

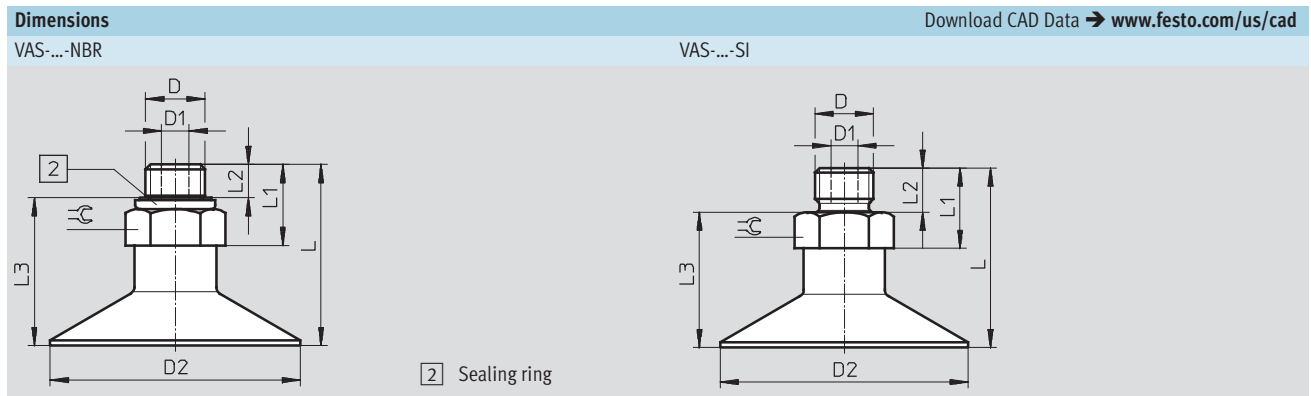


-  - VAS-...-SI to be discontinued
Available until 2012

Suction cups VAS-...-NBR/SI

Technical data

FESTO



Type	Connection D	D1 ∅	D2 ∅	L	L1	L2	L3	☉
VAS-1-...-NBR ¹⁾	M3	0.9	1	7.4	5.8	4	3.4	4.5
VAS-2-...-NBR ¹⁾	M3	1	2	9.8	5.8	4	5.8	4.5
VAS-5-...-NBR	M5	1.5	5	16.5	10	3.55	12.95	8
VAS-8-...-NBR	M5	2	8	19	11.3	3.55	15.45	8
VAS-10-...-NBR	M5	2	10	19.2	11.5	3.55	15.65	8
VAS-15-...-NBR	G1/8	3	15	20.2	12	4.7	15.5	13
VAS-30-...-NBR	G1/8	3	30	21.5	12	4.7	16.8	13
VAS-40-...-NBR	G1/4	4	40	30.5	17	5.8	24.7	17
VAS-55-...-NBR	G1/4	4	55	28	17	6.2	21.8	17
VAS-75-...-NBR	G1/4	4	75	28	17	6.2	21.8	17
VAS-100-...-NBR	G1/4	4	100	28	17	6.2	21.8	17
VAS-125-...-NBR	G3/8	7	125	36	20	6.45	29.55	19
VAS-8-...-SI	M5	2	8	19.2	11.5	5	14.2	8
VAS-10-...-SI	M5	2	10	19.2	11.5	5	14.2	8
VAS-15-...-SI	G1/8	3	15	20	12	6.5	13.5	13
VAS-30-...-SI	G1/8	3	30	21.5	12	6.5	15	13
VAS-40-...-SI	G1/4	4	40	30.5	17	8	22.5	17
VAS-55-...-SI	G1/4	4	55	33.5	17	8	25.5	17
VAS-75-...-SI	G1/4	4	75	28	14	8	20	17
VAS-100-...-SI	G1/4	4	100	28.5	14.5	8	20.5	17
VAS-125-...-SI	G3/8	7	125	36	16.5	9	27	19

1) Sealing ring is not included in the scope of delivery.

Suction cups VAS-...-NBR/SI

FESTO

Technical data

Ordering data				
Suction cup diameter [mm]	Vacuum port	Weight [g]	Part No.	Type
1	M3	1	173437	VAS-1-M3-NBR
2	M3	1	173438	VAS-2-M3-NBR
5	M5	2	173439	VAS-5-M5-NBR
8	M5	4	34588	VAS-8-M5-NBR
10	M5	3	173440	VAS-10-M5-NBR
15	G $\frac{1}{8}$	11	36142	VAS-15- $\frac{1}{8}$ -NBR
30	G $\frac{1}{8}$	13	34587	VAS-30- $\frac{1}{8}$ -NBR
40	G $\frac{1}{4}$	26	36143	VAS-40- $\frac{1}{4}$ -NBR
55	G $\frac{1}{4}$	32	36144	VAS-55- $\frac{1}{4}$ -NBR
75	G $\frac{1}{4}$	76	36145	VAS-75- $\frac{1}{4}$ -NBR
100	G $\frac{1}{4}$	138	34586	VAS-100- $\frac{1}{4}$ -NBR
125	G $\frac{3}{8}$	152	152605	VAS-125- $\frac{3}{8}$ -NBR
8	M5	2	160988	VAS-8-M5-SI
10	M5	3	173442	VAS-10-M5-SI
15	G $\frac{1}{8}$	6	158973	VAS-15- $\frac{1}{8}$ -SI
30	G $\frac{1}{8}$	7	158974	VAS-30- $\frac{1}{8}$ -SI
40	G $\frac{1}{4}$	13	158975	VAS-40- $\frac{1}{4}$ -SI
55	G $\frac{1}{4}$	16	158976	VAS-55- $\frac{1}{4}$ -SI
75	G $\frac{1}{4}$	36	160989	VAS-75- $\frac{1}{4}$ -SI
100	G $\frac{1}{4}$	67	160990	VAS-100- $\frac{1}{4}$ -SI
125	G $\frac{3}{8}$	148	160991	VAS-125- $\frac{3}{8}$ -SI

Suction cups VAS-...-PUR-B

Type codes

VAS – 30 – 1/8 – PUR – B

Type

VAS	Suction cup
-----	-------------

Suction cup diameter [mm]

8	8
10	10
15	15
30	30
40	40
55	55
75	75
100	100
125	125

Vacuum port

M5	Thread M5
1/8	Thread G1/8
1/4	Thread G1/4
3/8	Thread G3/8

Materials

PUR	Polyurethane
-----	--------------

Generation

B	B series
---	----------



Possible combinations can be found in the ordering data.

Suction cups VAS-...-PUR-B

Technical data

FESTO

Function



-N- Diameter
8 ... 125 mm
Temperature range
-20 ... +60 °C



General technical data										
Suction cup diameter [mm]	8	10	15	30	40	55	75	100	125	
Vacuum port	M5	M5	G1/8	G1/8	G1/4	G1/4	G1/4	G1/4	G1/4	G3/8
Nominal size [mm]	2	2	3	3	4	4	4	4	4	7
Type of mounting	Via vacuum port									
Mounting position	Any									
Nominal operating pressure [bar]	-0.7									
Holding force at nominal operating pressure -0.7 bar [N]	2.8	4	8.5	34	65	110	250	450	570	
Effective suction cup diameter [mm]	7.1	8.5	12.4	24.8	34.4	44.7	67.4	90.5	101.8	
Suction cup volume [cm ³]	0.095	0.12	0.328	1.29	3.47	8.01	18.3	33.5	79.1	

Operating and environmental conditions	
Operating pressure [bar]	-0.95 ... 0
Operating medium	Atmospheric air
Ambient temperature [°C]	-20 ... +60
Corrosion resistance class CRC ¹⁾	2

- 1) Corrosion resistance class 2 according to Festo standard 940 070
Components subject to moderate corrosion stress. Externally visible parts with primarily decorative surface requirements which are in direct contact with a normal industrial environment or media such as coolants or lubricating agents.

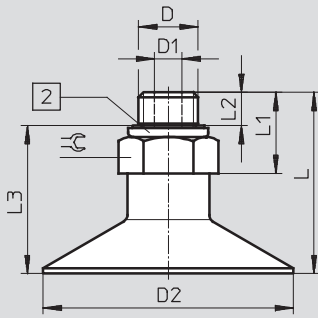
Materials	
Shore hardness	60 ±5
Suction cup	PUR (colour: blue)
Threaded plug	Brass (suction cup diameter 8 ... 30 mm)
	Die-cast zinc (suction cup diameter 40 ... 125 mm)
Note on materials	RoHS-compliant

Suction cups VAS-...-PUR-B

Technical data

Dimensions

Download CAD Data → www.festo.com/us/cad



2 Sealing ring

Type	Connection D	D1 ∅	D2 ∅	L	L1	L2	L3	≈
VAS-8	M5	2	8	19.7	12	4.25	15.45	8
VAS-10	M5	2	10	19.2	11.5	3.55	15.65	8
VAS-15	G1/8	3	15	20	12	4.7	15.3	13
VAS-30	G1/8	3	30	21.5	12	4.7	16.8	13
VAS-40	G1/4	4	40	29.5	17	6.2	23.3	17
VAS-55	G1/4	4	55	32.5	17	6.2	26.3	17
VAS-75	G1/4	4	75	28	17	6.2	21.8	17
VAS-100	G1/4	4	100	28	17	6.2	21.8	17
VAS-125	G3/8	7	125	36	20	8.2	27.8	19

Ordering data			
Suction cup diameter [mm]	Vacuum port	Weight [g]	Part No. Type
8	M5	3	1396086 VAS-8-M5-PUR-B
10	M5	3	1469698 VAS-10-M5-PUR-B
15	G1/8	3	1396087 VAS-15-1/8-PUR-B
30	G1/8	5	1396090 VAS-30-1/8-PUR-B
40	G1/4	6	1396092 VAS-40-1/4-PUR-B
55	G1/4	8	1396095 VAS-55-1/4-PUR-B
75	G1/4	10	1396096 VAS-75-1/4-PUR-B
100	G1/4	12	1396098 VAS-100-1/4-PUR-B
125	G3/8	14	1396108 VAS-125-3/8-PUR-B

Bellows suction cups VASB-...-NBR/SI

Type codes

		VASB	-	30	-	1/8	-	NBR
Type								
VASB	Bellows suction cup							
Suction cup diameter [mm]								
8	8							
15	15							
30	30							
40	40							
55	55							
75	75							
100	100							
125	125							
Vacuum port								
M5	Thread M5							
1/8	Thread G1/8							
1/4	Thread G1/4							
3/8	Thread G3/8							
Materials								
NBR	Nitrile rubber							
SI	Silicone							



Possible combinations can be found in the ordering data.

- 1 - VASB-...-SI to be discontinued
Available until 2012

Bellows suction cups VASB-...-NBR/SI

Technical data

FESTO

Function



-N- Diameter
8 ... 125 mm
Temperature range
-40 ... +200 °C



General technical data									
Suction cup diameter	[mm]	8	15	30	40	55	75	100	125
Vacuum port		M5	G1/8	G1/8	G1/4	G1/4	G1/4	G1/4	G3/8
Nominal size	[mm]	2	3	3	4	4	4	4	7
Design		Round, bellows, 1.5 convolutions, vacuum port on top							
Type of mounting		Via vacuum port							
Mounting position		Any							
Breakaway force at 70% vacuum	[N]	1.6	7.9	34	56	106	197	397	606
Effective suction cup diameter	[mm]	5.5	12	25	32	44	60	85	105

Operating and environmental conditions		
Type	VASB-...-NBR	VASB-...-SI
Operating medium	Atmospheric air	
Ambient temperature	[°C] -20 ... +80	-40 ... +200
Corrosion resistance class CRC ¹⁾	2	

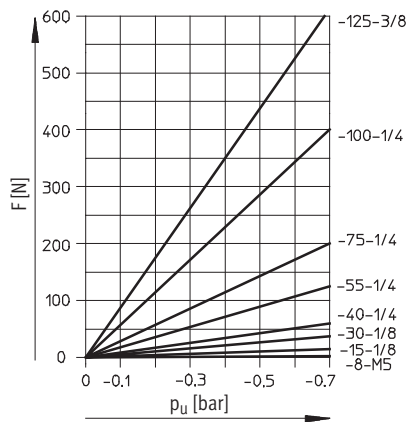
1) Corrosion resistance class 2 according to Festo standard 940 070
Components subject to moderate corrosion stress. Externally visible parts with primarily decorative surface requirements which are in direct contact with a normal industrial environment or media such as coolants or lubricating agents.

Materials		
Type	VASB-...-NBR	VASB-...-SI
Shore hardness	60	60 ±5
Suction cup	NBR	VMQ (silicone)
Threaded plug	Die-cast zinc (suction cup diameter 8 ... 100 mm) Wrought aluminium alloy (suction cup diameter 125 mm)	Wrought aluminium alloy
Note on materials	-	Contains PWIS (paint wetting impairment substances)

Bellows suction cups VASB-...-NBR/SI

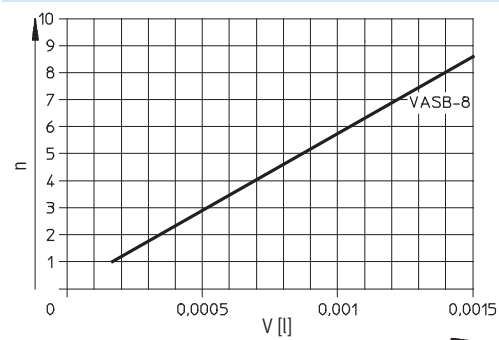
Technical data

Theoretical suction force F as a function of vacuum p_u

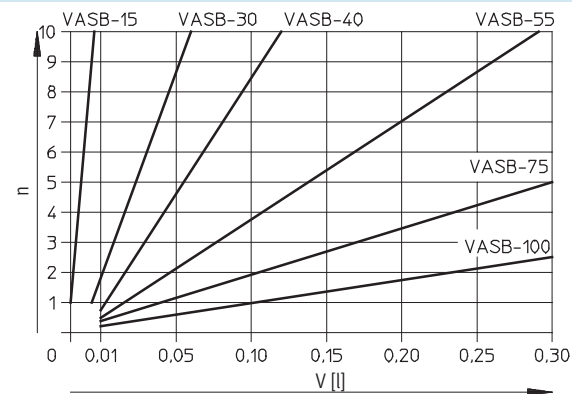


Suction cup volume

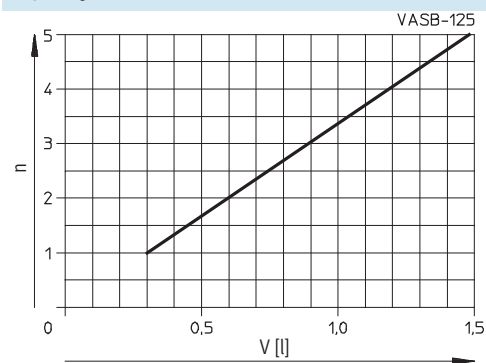
VASB-8



VASB-15 ... 100



VASB-125

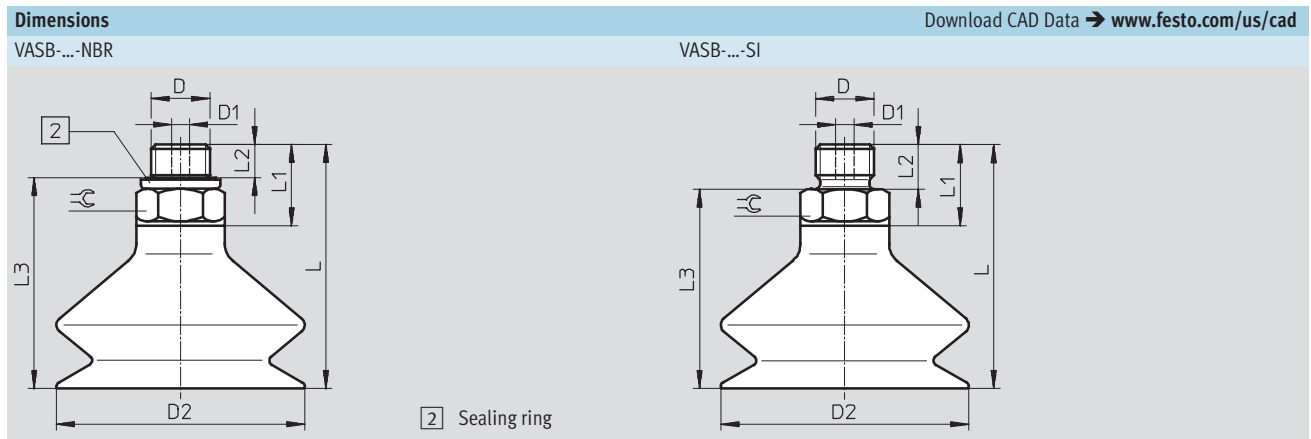


- 1 - VASB-...-SI to be discontinued
Available until 2012

Bellows suction cups VASB-...-NBR/SI

Technical data

FESTO



Type	Connection D	D1 ∅	D2 ∅	L	L1	L2	L3	⌀
VASB-8-...-NBR	M5	2	8	22.5	11.5	3.55	18.95	8
VASB-15-...-NBR	G1/8	3	15	25.5	12	4.7	20.8	13
VASB-30-...-NBR	G1/8	3	30	34	12	4.7	29.3	13
VASB-40-...-NBR	G1/4	4	40	43	17	5.8	37.2	17
VASB-55-...-NBR	G1/4	4	55	52	17	5.8	46.2	17
VASB-75-...-NBR	G1/4	4	75	43.5	17	5.8	37.7	17
VASB-100-...-NBR	G1/4	4	100	43.5	17	5.8	37.7	17
VASB-125-...-NBR	G3/8	7	125	60	20	6	54	19
VASB-8-...-SI	M5	2	8	22.5	11.5	5	17.5	8
VASB-15-...-SI	G1/8	3	15	25.5	12	6.5	19	13
VASB-30-...-SI	G1/8	3	30	34	12	6.5	27.5	13
VASB-40-...-SI	G1/4	4	40	43	17	8	35	17
VASB-55-...-SI	G1/4	4	55	52	17	8	44	17
VASB-75-...-SI	G1/4	4	75	43.5	14	8	35.5	17
VASB-100-...-SI	G1/4	4	100	43.5	14	8	35.5	17
VASB-125-...-SI	G3/8	7	125	60	16.5	9	51	19

Ordering data				
Suction cup diameter [mm]	Vacuum port	Weight [g]	Part No.	Type
8	M5	4	35410	VASB-8-M5-NBR
15	G1/8	11	35411	VASB-15-1/8-NBR
30	G1/8	15	35412	VASB-30-1/8-NBR
40	G1/4	30	35413	VASB-40-1/4-NBR
55	G1/4	42	35414	VASB-55-1/4-NBR
75	G1/4	95	35415	VASB-75-1/4-NBR
100	G1/4	170	35416	VASB-100-1/4-NBR
125	G3/8	207	152609	VASB-125-3/8-NBR
8	M5	2	160992	VASB-8-M5-SI
15	G1/8	6	158977	VASB-15-1/8-SI
30	G1/8	9	158978	VASB-30-1/8-SI
40	G1/4	16	158979	VASB-40-1/4-SI
55	G1/4	26	158980	VASB-55-1/4-SI
75	G1/4	53	160993	VASB-75-1/4-SI
100	G1/4	95	160994	VASB-100-1/4-SI
125	G3/8	194	160995	VASB-125-3/8-SI

Suction cups VASB-...-PUR-B, bellows

Type codes

		VASB	-	30	-	1/8	-	PUR	-	B
Type										
VASB	Suction cup									
Suction cup diameter [mm]										
8	8									
15	15									
30	30									
40	40									
55	55									
75	75									
100	100									
125	125									
Vacuum port										
M5	Thread M5									
1/8	Thread G1/8									
1/4	Thread G1/4									
3/8	Thread G3/8									
Materials										
PUR	Polyurethane									
Generation										
B	B series									



Possible combinations can be found in the ordering data.

Suction cups VASB-...-PUR-B, bellows

Technical data

Function



-N- Diameter
8 ... 125 mm
Temperature range
-20 ... +60 °C



General technical data									
Suction cup diameter	[mm]	8	15	30	40	55	75	100	125
Vacuum port		M5	G1/8	G1/8	G1/4	G1/4	G1/4	G1/4	G3/8
Nominal size	[mm]	2	3	3	4	4	4	4	7
Design		Round, bellows, 1.5 convolutions							
Type of mounting		Via vacuum port							
Mounting position		Any							
Nominal operating pressure	[bar]	-0.7							
Holding force at nominal operating pressure -0.7 bar	[N]	2.8	8.5	34	65	110	250	450	570
Effective suction cup diameter	[mm]	7.1	12.4	24.8	34.4	44.7	67.4	90.5	101.8
Suction cup volume	[cm ³]	0.163	0.83	6.18	11.11	30.4	65.5	128.0	307.0

Operating and environmental conditions	
Operating pressure	[bar] -0.95 ... 0
Operating medium	Atmospheric air
Ambient temperature	[°C] -20 ... +60
Corrosion resistance class CRC ¹⁾	2

1) Corrosion resistance class 2 according to Festo standard 940 070
Components subject to moderate corrosion stress. Externally visible parts with primarily decorative surface requirements which are in direct contact with a normal industrial environment or media such as coolants or lubricating agents.

Materials	
Shore hardness	60 ±5
Suction cup	PUR (colour: blue)
Threaded plug	Brass (suction cup diameter 8 ... 30 mm)
	Die-cast zinc (suction cup diameter 40 ... 125 mm)
Note on materials	RoHS-compliant

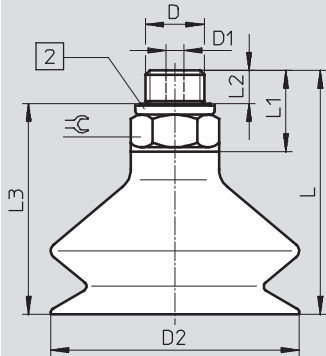
Suction cups VASB-...-PUR-B, bellows

Technical data

FESTO

Dimensions

Download CAD Data → www.festo.com/us/cad



2 Sealing ring

Type	Connection D	D1 ∅	D2 ∅	L	L1	L2	L3	⌀
VASB-8	M5	2	8	22.5	11.5	3.55	18.95	8
VASB-15	G1/8	3	15	25.5	12	4.7	20.8	13
VASB-30	G1/8	3	30	34	12	4.7	29.3	13
VASB-40	G1/4	4	40	43	17	5.8	37.2	17
VASB-55	G1/4	4	55	52	17	5.8	46.2	17
VASB-75	G1/4	4	75	43.5	17	5.8	37.7	17
VASB-100	G1/4	4	100	43.5	17	5.8	37.7	17
VASB-125	G3/8	7	125	60	20	6	54	19

Ordering data

Suction cup diameter [mm]	Vacuum port	Weight [g]	Part No.	Type
8	M5	3	1395637	VASB-8-M5-PUR-B
15	G1/8	3	1395671	VASB-15-1/8-PUR-B
30	G1/8	5	1395690	VASB-30-1/8-PUR-B
40	G1/4	6	1395691	VASB-40-1/4-PUR-B
55	G1/4	8	1396063	VASB-55-1/4-PUR-B
75	G1/4	10	1396064	VASB-75-1/4-PUR-B
100	G1/4	12	1396066	VASB-100-1/4-PUR-B
125	G3/8	14	1396067	VASB-125-3/8-PUR-B

Product Range and Company Overview

A Complete Suite of Automation Services

Our experienced engineers provide complete support at every stage of your development process, including: conceptualization, analysis, engineering, design, assembly, documentation, validation, and production.



Custom Automation Components
Complete custom engineered solutions



Custom Control Cabinets
Comprehensive engineering support and on-site services



Complete Systems
Shipment, stocking and storage services

The Broadest Range of Automation Components

With a comprehensive line of more than 30,000 automation components, Festo is capable of solving the most complex automation requirements.



Electromechanical
Electromechanical actuators, motors, controllers & drives



Pneumatics
Pneumatic linear and rotary actuators, valves, and air supply



PLCs and I/O Devices
PLC's, operator interfaces, sensors and I/O devices

Supporting Advanced Automation... As No One Else Can!

Festo is a leading global manufacturer of pneumatic and electromechanical systems, components and controls for industrial automation, with more than 12,000 employees in 56 national headquarters serving more than 180 countries. For more than 80 years, Festo has continuously elevated the state of manufacturing with innovations and optimized motion control solutions that deliver higher performing, more profitable automated manufacturing and processing equipment. Our dedication to the advancement of automation extends beyond technology to the education and development of current and future automation and robotics designers with simulation tools, teaching programs, and on-site services.

Quality Assurance, ISO 9001 and ISO 14001 Certifications

Festo Corporation is committed to supply all Festo products and services that will meet or exceed our customers' requirements in product quality, delivery, customer service and satisfaction.

To meet this commitment, we strive to ensure a consistent, integrated, and systematic approach to management that will meet or exceed the requirements of the ISO 9001 standard for Quality Management and the ISO 14001 standard for Environmental Management.



© Copyright 2008, Festo Corporation. While every effort is made to ensure that all dimensions and specifications are correct, Festo cannot guarantee that publications are completely free of any error, in particular typing or printing errors. Accordingly, Festo cannot be held responsible for the same. For Liability and Warranty conditions, refer to our "Terms and Conditions of Sale", available from your local Festo office. All rights reserved. No part of this publication may be reproduced, distributed, or transmitted in any form or by any means, electronic, mechanical, photocopying or otherwise, without the prior written permission of Festo. All technical data subject to change according to technical update.



Printed on recycled paper at New Horizon Graphic, Inc., FSC certified as an environmentally friendly printing plant.

Festo North America

Festo Regional Contact Center

5300 Explorer Drive
Mississauga, Ontario L4W 5G4
Canada

USA Customers:

For ordering assistance,

Call: 1.800.99.FESTO (1.800.993.3786)

Fax: 1.800.96.FESTO (1.800.963.3786)

Email: customer.service@us.festo.com

For technical support,

Call: 1.866.GO.FESTO (1.866.463.3786)

Fax: 1.800.96.FESTO (1.800.963.3786)

Email: product.support@us.festo.com

Canadian Customers:

Call: 1.877.GO.FESTO (1.877.463.3786)

Fax: 1.877.FX.FESTO (1.877.393.3786)

Email: festo.canada@ca.festo.com

USA Headquarters

Festo Corporation
395 Moreland Road
P.O. Box 18023
Hauppauge, NY 11788, USA
www.festo.com/us

USA Sales Offices

Appleton

North 922 Tower View Drive, Suite N
Greenville, WI 54942, USA

Boston

120 Presidential Way, Suite 330
Woburn, MA 01801, USA

Chicago

1441 East Business Center Drive
Mt. Prospect, IL 60056, USA

Dallas

1825 Lakeway Drive, Suite 600
Lewisville, TX 75057, USA

Detroit – Automotive Engineering Center

2601 Cambridge Court, Suite 320
Auburn Hills, MI 48326, USA

New York

395 Moreland Road
Hauppauge, NY 11788, USA

Silicon Valley

4935 Southfront Road, Suite F
Livermore, CA 94550, USA

United States



USA Headquarters, East: Festo Corp., 395 Moreland Road, Hauppauge, NY 11788

Phone: 1.631.435.0800; Fax: 1.631.435.8026;

Email: info@festo-usa.com

www.festo.com/us

Canada



Headquarters: Festo Inc., 5300 Explorer Drive, Mississauga, Ontario L4W 5G4

Phone: 1.905.624.9000; Fax: 1.905.624.9001;

Email: festo.canada@ca.festo.com

www.festo.ca

Mexico



Headquarters: Festo Pneumatic, S.A., Av. Ceylán 3, Col. Tequesquahuac,
54020 Tlalneantla, Edo. de México

Phone: 011 52 [55] 53 21 66 00; Fax: 011 52 [55] 53 21 66 65;

Email: festo.mexico@mx.festo.com

www.festo.com/mx

Central USA

Festo Corporation
1441 East Business
Center Drive
Mt. Prospect, IL 60056, USA
Phone: 1.847.759.2600
Fax: 1.847.768.9480



Western USA

Festo Corporation
4935 Southfront Road,
Suite F
Livermore, CA 94550, USA
Phone: 1.925.371.1099
Fax: 1.925.245.1286



Festo Worldwide

Argentina Australia Austria Belarus Belgium Brazil Bulgaria Canada Chile China Colombia Croatia Czech Republic Denmark
Estonia Finland France Germany Great Britain Greece Hong Kong Hungary India Indonesia Iran Ireland Israel Italy Japan Latvia
Lithuania Malaysia Mexico Netherlands New Zealand Norway Peru Philippines Poland Romania Russia Serbia Singapore
Slovakia Slovenia South Africa South Korea Spain Sweden Switzerland Taiwan Thailand Turkey Ukraine United States Venezuela

www.festo.com