

# Rod Accessories

Rod Clevis, Type SG/CRSG, Inch and Metric Series



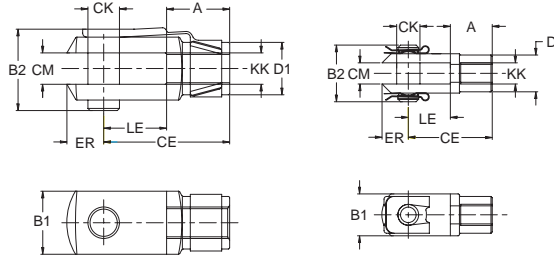
## Rod Clevis, Inch Series

For Pivotal Cylinder Mount  
For Inch Series Cylinders

### Type SG-...

A rod clevis is installed on the front end of the piston rod when using a clevis or pivot mount on a cylinder.

Type SG-...



Order Number	For Rod Thread	A	B1	B2	CE	CK Rod	CM	D1 Dia.	ER	LE	Material
Part No.	Type	KK	inch	inch	inch	inch	inch	inch	inch	inch	
546552	SG-UNF10-32-B	10-32 UNF	0.394	0.375	0.49	0.788	0.1875	0.1875	0.354	0.236	Equivalent to SAE 12 L 14
546548	SG-UNF1/4"-28-B	1/4-28 UNF	0.472	0.500	0.64	0.944	0.250	0.250	0.394	0.276	
546574	SG-UNF5/16"-24-B	5/16-24 UNF	0.630	0.630	0.79	1.260	0.3125	0.3125	0.551	0.394	
546540	SG-UNF3/8"-24-B	3/8-24 UNF	0.787	0.750	0.95	1.574	0.375	0.375	0.708	0.473	
546545	SG-UNF1/2"-20-B	1/2-20 UNF	1.102	1.000	1.21	2.204	0.500	0.500	0.945	0.630	
546575	SG-UNF5/8"-18-B	5/8-18 UNF	1.260	1.250	1.47	2.520	0.625	0.625	1.024	0.748	
546576	SG-UNF3/4"-16-B	3/4-16 UNF	1.575	1.575	2.055	3.150	0.750	0.750	1.339	0.984	

## Rod Clevis, Metric Series

For Pivotal Cylinder Mount, includes Hex Nut, per DIN 439 for Metric Series Cylinders.

Types SG-M4 to SG-M16 x 1.5 and types CRSG-M6 to CRSG-M16 x 1.5 are designed to specifications DIN 71752 / DIN 8140.

### Type SG-...

Material: Galvanized steel

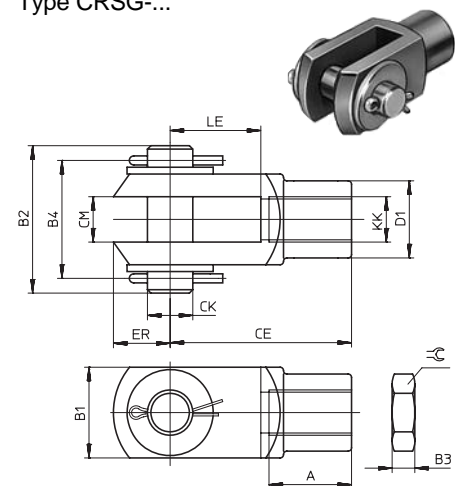
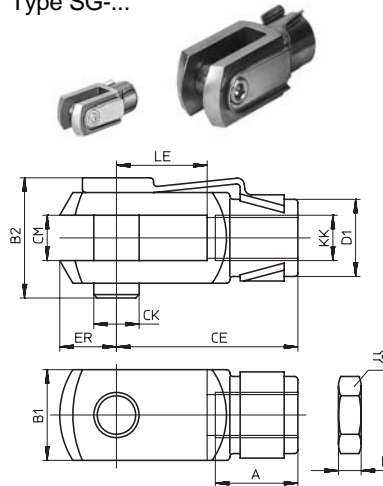
### Type CRSG-...

Stainless Steel X12CrNiS188

Corrosion and acid-resistant design.

Type SG-...

Type CRSG-...



Order Number	For Piston Rod Thread	Weight	Dimensions												
Part No.	Type	KK	lb / kg	A	B1	B2	B3	B4	CE	CK / CM	D1	ER	LE	⌀	
				in / mm	in / mm	in / mm	in / mm	in / mm	in / mm	in / mm	in / mm	in / mm	in / mm	mm	
6532	SG-M4 *2	M4	0.022 / 0.010	0.31 / 8	0.31 / 8	0.43 / 11	0.09 / 2.2	-	0.63 / 16	0.16 / 4	0.31 / 8	0.20 / 5	0.31 / 8	7	
3110	SG-M6 *1/2	M6	0.044 / 0.020	0.47 / 12	0.47 / 12	0.63 / 16	0.13 / 3.2	-	0.94 / 24	0.24 / 6	0.39 / 10	0.27 / 7	0.47 / 12	10	
3111	SG-M8 *1/2	M8	0.110 / 0.050	0.63 / 16	0.63 / 16	0.85 / 21.5	0.16 / 4	-	1.26 / 32	0.31 / 8	0.55 / 14	0.39 / 10	0.63 / 16	13	
2674	SG-M10 *2	M10	0.220 / 0.100	0.79 / 20	0.79 / 20	1.02 / 26	0.20 / 5	-	1.57 / 40	0.39 / 10	0.71 / 18	0.47 / 12	0.79 / 20	17	
6144	SG-M10 x 1.25 *1/2	M10 x 1.25	0.220 / 0.100	0.79 / 20	0.79 / 20	1.02 / 26	0.20 / 5	-	1.57 / 40	0.39 / 10	0.71 / 18	0.47 / 12	0.79 / 20	17	
2675	SG-M12 *2	M12	0.353 / 0.160	0.94 / 24	0.94 / 24	1.22 / 31	0.24 / 6	-	1.89 / 48	0.47 / 12	0.79 / 20	0.55 / 14	0.94 / 24	19	
6145	SG-M12 x 1.25 *1/2	M12 x 1.25	0.364 / 0.165	0.94 / 24	0.94 / 24	1.22 / 31	0.24 / 6	-	1.89 / 48	0.47 / 12	0.79 / 20	0.55 / 14	0.94 / 24	19	
2676	SG-M16 *2	M16	0.783 / 0.355	1.26 / 32	1.26 / 32	1.54 / 39	0.31 / 8	-	2.52 / 64	0.63 / 16	1.02 / 26	0.75 / 19	1.26 / 32	24	
6146	SG-M16 x 1.5 *1/2	M16 x 1.5	0.739 / 0.335	1.26 / 32	1.26 / 32	1.54 / 39	0.31 / 8	-	2.52 / 64	0.63 / 16	1.02 / 26	0.75 / 19	1.26 / 32	24	
2677	SG-M20	M20	0.697 / 0.770	0.94 / 24	1.57 / 40	2.09 / 53	0.39 / 10	-	2.40 / 60	0.79 / 20	-	0.94 / 24	1.42 / 36	30	
6147	SG-M20 x 1.5 *1	M20 x 1.5	1.587 / 0.720	1.57 / 40	1.57 / 40	2.09 / 53	0.39 / 10	-	3.10 / 80	0.79 / 20	1.34 / 34	0.98 / 25	1.57 / 40	30	
2678	SG-M24	M24	3.174 / 1.440	1.26 / 32	1.97 / 50	2.56 / 65	0.47 / 12	-	2.84 / 72	0.94 / 24	-	1.02 / 26	1.57 / 40	36	
14987	SG-M27 x 2-B *1	M27 x 2	3.245 / 1.475	2.20 / 56	2.17 / 55	2.91 / 74	0.53 / 13.5	-	4.33 / 110	1.18 / 30	1.89 / 48	1.50 / 38	2.13 / 54	41	
9581	SG-M36 x 2 *1	M36 x 2	9.058 / 4.080	2.20 / 56	2.76 / 70	3.56 / 90.5	0.71 / 18	-	5.67 / 144	1.38 / 35	2.36 / 60	1.73 / 44	2.83 / 72	55	
9582	SG-M42 x 2 *1	M42 x 2	15.407 / 6.940	2.56 / 65	3.35 / 85	4.31 / 109.5	0.83 / 21	-	6.61 / 168	1.57 / 40	2.76 / 70	2.52 / 64	3.31 / 84	65	
9583	SG-M48 x 2 *1	M48 x 2	22.070 / 10.010	2.95 / 75	3.34 / 90	4.72 / 120	0.94 / 24	-	7.56 / 192	1.97 / 50	3.75 / 80	2.87 / 73	3.78 / 96	75	
Stainless Steel or Option -S9 Metric Series															
13567	CRSG-M6 *1/2	M6	0.055 / 0.025	0.47 / 12	0.47 / 12	0.88 / 22.4	0.13 / 3.2	0.69 / 17.4	0.94 / 24	0.24 / 6	0.39 / 10	0.28 / 7	0.47 / 12	10	
13568	CRSG-M8 *1/2	M8	0.121 / 0.055	0.63 / 16	0.63 / 16	1.10 / 28	0.16 / 4	0.87 / 22	1.26 / 32	0.31 / 8	0.55 / 14	0.39 / 10	0.63 / 16	13	
13569	CRSG-M10 x 1.25 *1/2	M10 x 1.25	0.243 / 0.110	0.79 / 20	0.79 / 20	1.42 / 36	0.20 / 5	1.10 / 28	1.57 / 40	0.39 / 10	0.71 / 18	0.47 / 12	0.79 / 20	17	
13570	CRSG-M12 x 1.25 *1/2	M12 x 1.25	0.397 / 0.180	0.94 / 24	0.94 / 24	1.73 / 44	0.24 / 6	1.34 / 34	1.89 / 48	0.47 / 12	0.79 / 20	0.55 / 14	0.94 / 24	19	
13571	CRSG-M16 x 1.5	M16 x 1.5	0.871 / 0.395	1.26 / 32	1.26 / 32	2.09 / 53	0.31 / 8	1.69 / 43	2.52 / 64	0.63 / 16	1.02 / 26	0.75 / 19	1.26 / 32	24	
13572	CRSG-M20 x 1.5 *1	M20 x 1.5	1.764 / 0.800	1.57 / 40	1.57 / 40	2.56 / 65	0.39 / 10	2.05 / 52	3.15 / 80	0.79 / 20	1.34 / 34	0.98 / 25	1.57 / 40	30	

\*1 DIN ISO 8140 \*2 DIN 71752

# Product Range and Company Overview

## A Complete Suite of Automation Services

Our experienced engineers provide complete support at every stage of your development process, including: conceptualization, analysis, engineering, design, assembly, documentation, validation, and production.



**Custom Automation Components**  
Complete custom engineered solutions



**Custom Control Cabinets**  
Comprehensive engineering support and on-site services



**Complete Systems**  
Shipment, stocking and storage services

## The Broadest Range of Automation Components

With a comprehensive line of more than 30,000 automation components, Festo is capable of solving the most complex automation requirements.



**Electromechanical**  
Electromechanical actuators, motors, controllers & drives



**Pneumatics**  
Pneumatic linear and rotary actuators, valves, and air supply



**PLCs and I/O Devices**  
PLC's, operator interfaces, sensors and I/O devices

## Supporting Advanced Automation... As No One Else Can!

Festo is a leading global manufacturer of pneumatic and electromechanical systems, components and controls for industrial automation, with more than 12,000 employees in 56 national headquarters serving more than 180 countries. For more than 80 years, Festo has continuously elevated the state of manufacturing with innovations and optimized motion control solutions that deliver higher performing, more profitable automated manufacturing and processing equipment. Our dedication to the advancement of automation extends beyond technology to the education and development of current and future automation and robotics designers with simulation tools, teaching programs, and on-site services.

## Quality Assurance, ISO 9001 and ISO 14001 Certifications

Festo Corporation is committed to supply all Festo products and services that will meet or exceed our customers' requirements in product quality, delivery, customer service and satisfaction.

To meet this commitment, we strive to ensure a consistent, integrated, and systematic approach to management that will meet or exceed the requirements of the ISO 9001 standard for Quality Management and the ISO 14001 standard for Environmental Management.



© Copyright 2008, Festo Corporation. While every effort is made to ensure that all dimensions and specifications are correct, Festo cannot guarantee that publications are completely free of any error, in particular typing or printing errors. Accordingly, Festo cannot be held responsible for the same. For Liability and Warranty conditions, refer to our "Terms and Conditions of Sale", available from your local Festo office. All rights reserved. No part of this publication may be reproduced, distributed, or transmitted in any form or by any means, electronic, mechanical, photocopying or otherwise, without the prior written permission of Festo. All technical data subject to change according to technical update.



Printed on recycled paper at New Horizon Graphic, Inc., FSC certified as an environmentally friendly printing plant.

# Festo North America

## United States

**Customer Resource Center**  
502 Earth City Expy., Suite 125  
Earth City, MO 63045

For ordering assistance, or to find  
your nearest Festo Distributor,

**Call:** 1.800.99.FESTO

**Fax:** 1.800.96.FESTO

**Email:** customer.service@us.festo.com

For technical support,

**Call:** 1.866.GO.FESTO

**Fax:** 1.800.96.FESTO

**Email:** product.support@us.festo.com

### Headquarters

Festo Corporation  
395 Moreland Road  
P.O. Box 18023  
Hauppauge, NY 11788  
[www.festo.com/us](http://www.festo.com/us)

---

### Sales Offices

#### Appleton

N. 922 Tower View Drive, Suite N  
Greenville, WI 54942

#### Boston

120 Presidential Way, Suite 330  
Woburn, MA 01801

#### Chicago

1441 East Business Center Drive  
Mt. Prospect, IL 60056

#### Dallas

1825 Lakeway Drive, Suite 600  
Lewisville, TX 75057

#### Detroit - Automotive Engineering Center

2601 Cambridge Court, Suite 320  
Auburn Hills, MI 48326

#### New York

395 Moreland Road  
Hauppauge, NY 11788

#### Silicon Valley

4935 Southfront Road, Suite F  
Livermore, CA 94550

## Design and Manufacturing Operations



**East:** 395 Moreland Road, Hauppauge, NY 11788



**Central:** 1441 East Business Center Drive, Mt. Prospect, IL 60056



**West:** 4935 Southfront Road, Suite F, Livermore, CA 94550

---

## Mexico

### Headquarters

Festo Pneumatic, S.A.  
Av. Ceylán 3, Col. Tequesquahuac  
54020 Tlalnepantla, Edo. de México  
**Call:** 011 52 [55] 53 21 66 00  
**Fax:** 011 52 [55] 53 21 66 65  
**Email:** festo.mexico@mx.festo.com  
[www.festo.com/mx](http://www.festo.com/mx)



---

## Canada

### Headquarters

Festo Inc.  
5300 Explorer Drive  
Mississauga, Ontario L4W 5G4  
**Call:** 1.905.624.9000  
**Fax:** 1.905.624.9001  
**Email:** info.ca@ca.festo.com  
[www.festo.com/ca](http://www.festo.com/ca)



---

## Festo Worldwide

Argentina Australia Austria Belarus Belgium Brazil Bulgaria Canada Chile China Colombia Croatia Czech Republic Denmark  
Estonia Finland France Germany Great Britain Greece Hong Kong Hungary India Indonesia Iran Ireland Israel Italy Japan  
Latvia Lithuania Malaysia Mexico Netherlands New Zealand Norway Peru Philippines Poland Romania Russia Serbia Singapore  
Slovakia Slovenia South Africa South Korea Spain Sweden Switzerland Taiwan Thailand Turkey Ukraine United States Venezuela

[www.festo.com](http://www.festo.com)