

Push-in fittings NPQP



Push-in fittings NPQP

Technical data

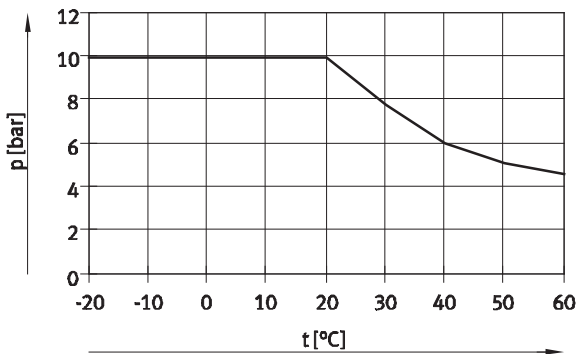
General technical data	
Size	Standard
Design	Push-pull principle

Materials	
Housing	PP
Tube retaining claw	High-alloy stainless steel
Note on materials	RoHS-compliant
	Contains PWIS (paint-wetting impairment substances)

Operating and environmental conditions	
Temperature-dependent operating pressure [bar]	-0.95 ... +10
Operating medium	Filtered compressed air, lubricated or unlubricated
	Vacuum
Ambient temperature [°C]	-20 ... +60
	Extended temperature range on request
Corrosion resistance class CRC ¹⁾	4
ATEX	Specified types → www.festo.com

1) CRC4: Corrosion resistance class to Festo standard 940 070
 Components with very heavy corrosion exposure. Components in contact with aggressive media, e.g. in food or chemical industries. These applications must, if necessary, be verified by special tests with the media concerned.

Operating pressure p as a function of temperature t




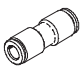


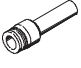

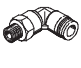


Note

Leaks can occur with large temperature fluctuations due to the high expansion coefficient of polypropylene in combination with the R thread. To avoid this it is recommended to seal the thread with Loctite® 55 pipe sealing cord.

Push-in fittings NPQP





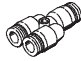

Product range overview

FESTO

Design	Version	Type	Connection D1			Connection D2		→ Page/ Internet
			R thread	Tubing O.D.	Push-in sleeve ∅	Tubing O.D.	Push-in sleeve ∅	
Inline	Push-in fitting – Male thread with external hex							
		NPQP-D	R1/8	-	-	4, 6, 8	-	5
			R1/4			4, 6, 8, 10		
			R3/8			10, 12		
			R1/2			12		
	Push-in connector							
		NPQP-D	-	-	-	4	-	6
			6					
			8					
			10					
			12					
		NPQP-D reducing	-	-	-	4	-	6
			6					
			8					
			10					
Push-in bulkhead connector								
	NPQP-H	-	-	-	4	-	7	
		6						
		8						
		10						
		12						
Push-in connector with push-in sleeve								
	NPQP-D-...-S	-	-	-	4	-	6, 8	
		6			8, 10			
		8			10, 12			
		10			12			
Blanking plug								
	NPQP-P	-	-	-	4	-	8	
		6						
		8						
		10						
		12						
L-shape	Push-in L-fitting – Male thread with external hex							
		NPQP-L	R1/8	-	-	4, 6, 8	-	9
			R1/4			4, 6, 8, 10		
			R3/8			10, 12		
			R1/2			12		
	Push-in L-fitting – Male thread with external hex							
		NPQP-LQ	R1/8	-	-	4, 6, 8	-	9
			R1/4			4, 6, 8, 10		
			R3/8			10, 12		
			R1/2			12		
	Push-in L-connector							
		NPQP-L	-	-	-	4	-	10
			6					
			8					
			10					
12								

Push-in fittings NPQP

Product range overview

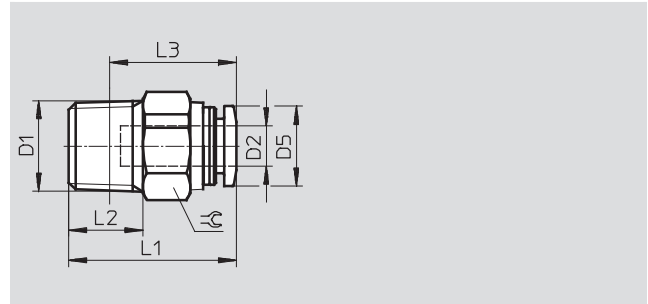
Design	Version	Type	Connection D1			Connection D2		→ Page/ Internet
			R thread	Tubing O.D.	Push-in sleeve ∅	Tubing O.D.	Push-in sleeve ∅	
T-shape	Push-in T-fitting – Male thread with external hex							
		NPQP-T	R1/8	-	-	4, 6, 8	-	11
			R1/4			4, 6, 8, 10		
			R3/8			10, 12		
			R1/2			12		
	Push-in T-connector							
		NPQP-T	-	-	-	4	-	12
			4			6		
			6			8		
			8			10		
10			12					
	NPQP-T reducing	-	-	-	6	-	12	
		6			8			
		8			10			
		10			12			
		12			10			
Y-shape	Push-in Y-fitting – Male thread with external hex							
		NPQP-Y	R1/8	-	-	4, 6, 8	-	13
			R1/4			4, 6, 8, 10		
			R3/8			10, 12		
			R1/2			12		
	Push-in Y-connector							
		NPQP-Y	-	-	-	4	-	14
			4			6		
			6			8		
			8			10		
10			12					
	NPQP-Y reducing	-	-	-	6	-	14	
		6			8			
		8			10			
		10			12			
		12			10			

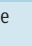
Push-in fittings NPQP

Technical data

Push-in fitting NPQP-D

Male thread
with external hex



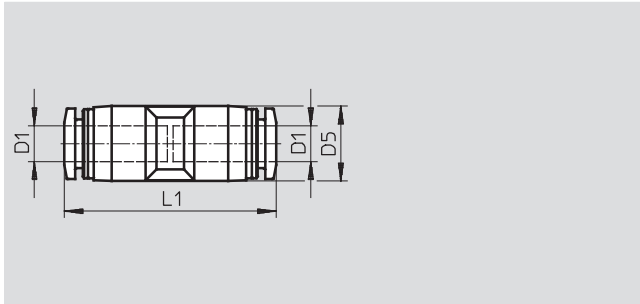
Dimensions and ordering data											
Connection	Nominal size	Tubing O.D.	D5	L1	L2	L3		Weight/piece	Part No.	Type	PU ¹⁾
D1	[mm]	D2						[g]			
R ¹ / ₈	2.1	4	9.9	21.1	8	17.1	9	2.5	132417	NPQP-D-R18-Q4	1
	3.4	6	11.8	22.8	8	18.8	14	3.0	132418	NPQP-D-R18-Q6	1
	5.3	8	13.8	27.9	8	23.9	17	4.5	132419	NPQP-D-R18-Q8	1
R ¹ / ₄	2.1	4	9.9	22.3	11	16.3	14	3.5	132420	NPQP-D-R14-Q4	1
	3.4	6	11.8	24.8	11	18.8	14	3.5	132421	NPQP-D-R14-Q6	1
	5.3	8	13.8	26.6	11	20.6	17	4.5	132422	NPQP-D-R14-Q8	1
	6.2	10	16.8	32.6	11	26.6	19	7.0	132423	NPQP-D-R14-Q10	1
R ³ / ₈	6.2	10	16.8	33.6	12	27.3	19	8.0	132424	NPQP-D-R38-Q10	1
	7.2	12	19.8	37.6	12	31.3	22	12.0	132425	NPQP-D-R38-Q12	1
R ¹ / ₂	7.2	12	19.8	34.1	15	25.9	22	12.0	132426	NPQP-D-R12-Q12	1

1) Packaging unit

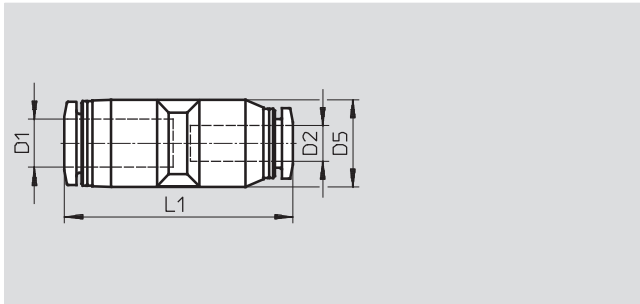
Push-in fittings NPQP

Technical data

Push-in connector NPQP-D



Reducing



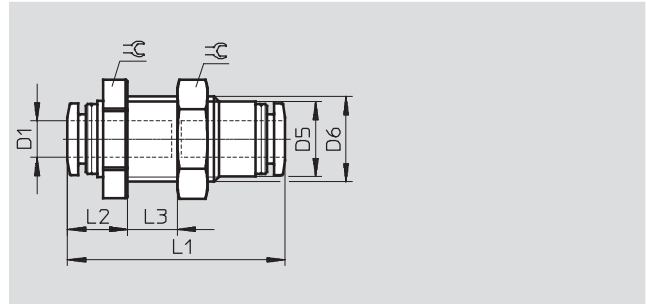
Dimensions and ordering data								
Tubing O.D.	Nominal size	Tubing O.D.	D5	L1	Weight/piece	Part No.	Type	PU ¹⁾
D1	[mm]	D2	∅		[g]			
4	2.6	4	10.0	31.0	4.0	132537	NPQP-D-Q4-E	1
6	4.0	6	12.5	35.2	5.5	132538	NPQP-D-Q6-E	1
8	5.0	8	14.5	37.8	8.0	132539	NPQP-D-Q8-E	1
10	6.7	10	17.5	43.8	13.0	132540	NPQP-D-Q10-E	1
12	8.7	12	21.0	48.2	19.0	132541	NPQP-D-Q12-E	1
Reducing								
6	2.6	4	12.5	34.6	5.5	132543	NPQP-D-Q6-Q4	1
8	4.0	6	14.5	38.0	7.0	132544	NPQP-D-Q8-Q6	1
10	5.0	8	17.5	43.3	12.0	132545	NPQP-D-Q10-Q8	1
12	6.7	10	21.0	48.0	18.0	132546	NPQP-D-Q12-Q10	1

1) Packaging unit

Push-in fittings NPQP

Technical data

Push-in bulkhead connector NPQP-H

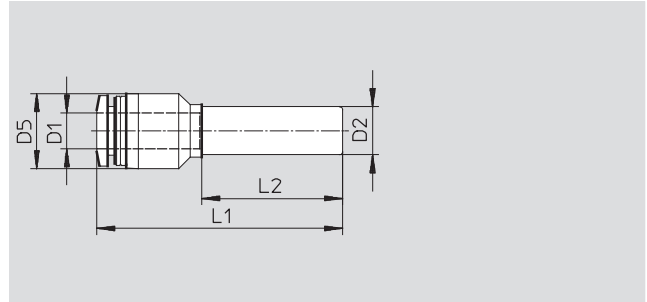


Dimensions and ordering data											
Tubing O.D.	Nominal size	D5 Ø	D6	L1	L2	L3 max.	≈	Weight/piece [g]	Part No.	Type	PU ¹⁾
D1	[mm]										
4	2.3	10	M12x1.5	31.6	9.3	6.5	14	7.2	132548	NPQP-H-Q4-E	1
6	3.7	12.3	M14x1.5	35.8	9.9	9.5	17	10.2	132549	NPQP-H-Q6-E	1
8	4.9	14.2	M16x1.5	38.4	10.7	9	19	14.3	132550	NPQP-H-Q8-E	1
10	7.1	17.5	M20x2	43.4	13.2	12	24	24.4	132551	NPQP-H-Q10-E	1
12	7.8	21	M24x2	48.8	13.4	14	27	30.4	132552	NPQP-H-Q12-E	1

1) Packaging unit

Push-in connector NPQP-D

with push-in sleeve



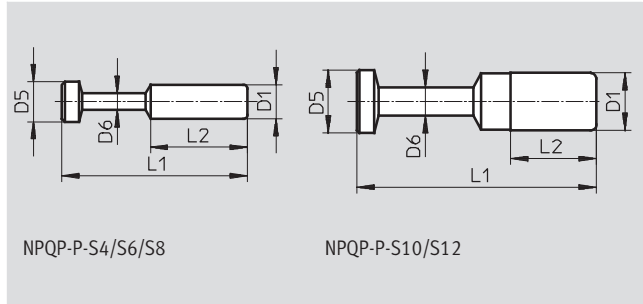
Dimensions and ordering data										
Tubing O.D.	Nominal size	Push-in sleeve Ø	D5 Ø	L1	L2	Weight/piece [g]	Part No.	Type	PU ¹⁾	
D1	[mm]	D2								
4	2.5	6	10.0	37.8	22.3	2.4	132588	NPQP-D-Q4-S6	1	
	2.4	8	12.5	40.3	23.3	3.0	132589	NPQP-D-Q4-S8	1	
6	3.8	8	12.5	40.9	23.3	3.2	132590	NPQP-D-Q6-S8	1	
	3.8	10	12.5	43.9	28.3	3.6	132591	NPQP-D-Q6-S10	1	
8	5.4	10	14.5	43.7	24.8	4.7	132592	NPQP-D-Q8-S10	1	
	5.4	12	14.5	49.7	33.5	5.4	132593	NPQP-D-Q8-S12	1	
10	6.3	12	17.5	50.2	28.8	7.9	132594	NPQP-D-Q10-S12	1	

1) Packaging unit

Push-in fittings NPQP

Technical data

Blanking plug NPQP-P



Dimensions and ordering data								
Push-in sleeve \varnothing D1	D5 \varnothing	D6 \varnothing	L1	L2	Weight/piece [g]	Part No.	Type	PU ¹⁾
4	5	3	27.5	15.0	0.5	132582	NPQP-P-S4	1
6	7	3	32.5	17.0	0.5	132583	NPQP-P-S6	1
8	9	4	36.5	18.1	1.0	132584	NPQP-P-S8	1
10	11	5	42.0	20.2	2.0	132585	NPQP-P-S10	1
12	13	6	44.0	23.4	2.5	132586	NPQP-P-S12	1

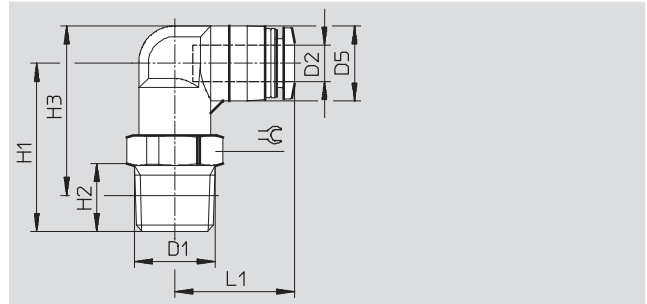
1) Packaging unit

Push-in fittings NPQP

Technical data

Push-in L-fitting NPQP-L

Male thread
with external hex

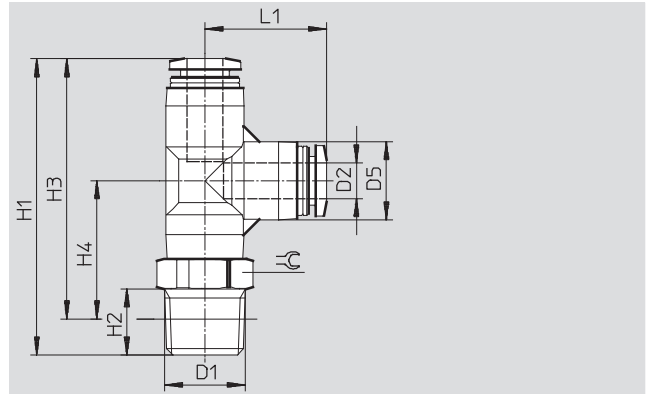


Dimensions and ordering data												
Connection	Nominal size	Tubing O.D.	D5	H1	H2	H3	L1	\varnothing	Weight/piece	Part No.	Type	PU ¹⁾
D1	[mm]	D2							[g]			
R $\frac{1}{8}$	2.1	4	10.0	23.3	8	24.3	18.1	10	4.0	132428	NPQP-L-R18-Q4	1
	3.3	6	12.5	25.0	8	27.3	19.9	12	5.0	132429	NPQP-L-R18-Q6	1
	4.7	8	14.5	28.0	8	31.3	22.7	14	7.0	132430	NPQP-L-R18-Q8	1
R $\frac{1}{4}$	2.1	4	10.0	26.3	11	25.3	18.1	14	4.5	132431	NPQP-L-R14-Q4	1
	3.3	6	12.5	28.0	11	28.2	19.9	14	5.5	132432	NPQP-L-R14-Q6	1
	4.7	8	14.5	31.0	11	32.2	22.7	14	7.5	132433	NPQP-L-R14-Q8	1
	5.7	10	17.5	36.0	11	38.7	26.4	17	12.0	132434	NPQP-L-R14-Q10	1
R $\frac{3}{8}$	5.7	10	17.5	37.0	12	39.4	26.4	17	13.0	132435	NPQP-L-R38-Q10	1
	6.9	12	21.0	39.0	12	43.2	29.6	22	18.0	132436	NPQP-L-R38-Q12	1
R $\frac{1}{2}$	6.9	12	21.0	42.0	15	44.3	29.6	22	19.0	132437	NPQP-L-R12-Q12	1

1) Packaging unit

Push-in L-fitting NPQP-LQ

Male thread
with external hex



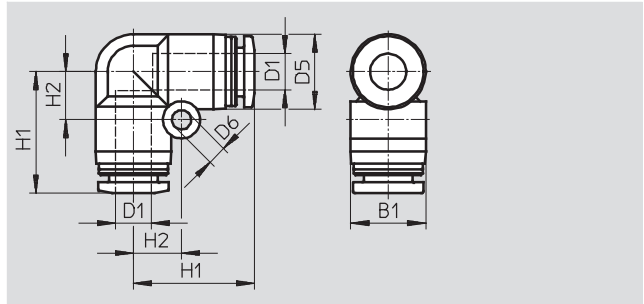
Dimensions and ordering data													
Connection	Nominal size	Tubing O.D.	D5	H1	H2	H3	H4	L1	\varnothing	Weight/piece	Part No.	Type	PU ¹⁾
D1	[mm]	D2								[g]			
R $\frac{1}{8}$	2.0	4	10.0	40.2	8	36.2	19.2	17.0	10	6.0	132439	NPQP-LQ-R18-Q4	1
	3.3	6	13.0	46.3	8	42.3	22.0	20.2	12	8.0	132440	NPQP-LQ-R18-Q6	1
	4.8	8	15.0	50.4	8	46.4	24.2	22.2	14	11.0	132441	NPQP-LQ-R18-Q8	1
R $\frac{1}{4}$	2.0	4	10.0	43.2	11	37.2	20.2	17.0	14	6.5	132442	NPQP-LQ-R14-Q4	1
	3.3	6	13.0	49.3	11	43.3	23.0	20.2	14	8.5	132443	NPQP-LQ-R14-Q6	1
	4.8	8	15.0	53.4	11	47.4	25.2	22.2	14	12.0	132444	NPQP-LQ-R14-Q8	1
	5.8	10	17.5	61.4	11	55.4	30.0	25.4	17	18.0	132445	NPQP-LQ-R14-Q10	1
R $\frac{3}{8}$	5.8	10	17.5	62.4	12	56.1	30.7	25.4	17	19.0	132446	NPQP-LQ-R38-Q10	1
	6.9	12	21.0	67.8	12	61.5	32.9	28.4	22	26.0	132447	NPQP-LQ-R38-Q12	1
R $\frac{1}{2}$	6.9	12	21.0	70.8	15	62.6	34.0	28.4	22	28.0	132448	NPQP-LQ-R12-Q12	1

1) Packaging unit

Push-in fittings NPQP

Technical data

Push-in L-connector NPQP-L



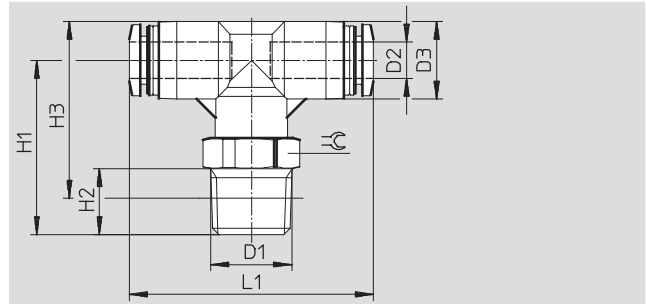
Dimensions and ordering data											
Tubing O.D.	Nominal size	Tubing O.D.	D5 ∅	D6	B1	H1	H2	Weight/piece	Part No.	Type	PU ¹⁾
D1	[mm]	D1						[g]			
4	2.3	4	10.0	3.2	10.0	17.0	6.5	4.5	132554	NPQP-L-Q4-E	1
6	3.6	6	12.5	3.2	12.5	20.2	8.0	6.0	132555	NPQP-L-Q6-E	1
8	4.6	8	15.0	4.2	15.6	22.4	10.0	9.0	132556	NPQP-L-Q8-E	1
10	6.2	10	17.5	4.2	18.2	26.4	12.0	14.0	132557	NPQP-L-Q10-E	1
12	7.7	12	21.0	4.2	21.7	29.6	14.0	20.0	132558	NPQP-L-Q12-E	1

1) Packaging unit

Push-in fittings NPQP

Technical data

Push-in T-fitting NPQP-T



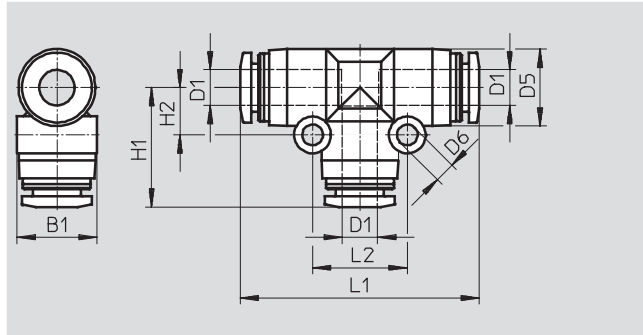
Dimensions and ordering data												
Connection	Nominal size	Tubing O.D.	D5	H1	H2	H3	L1	$\approx \text{C}$	Weight/piece	Part No.	Type	PU ¹⁾
D1	[mm]	D2							[g]			
R $\frac{1}{8}$	2.0	4	10.0	23.2	8	24.2	34.0	10	6.0	132450	NPQP-T-R18-Q4	1
	3.2	6	13.0	26.0	8	28.5	40.6	12	8.0	132451	NPQP-T-R18-Q6	1
	4.7	8	15.0	26.3	8	29.8	44.8	14	11.0	132452	NPQP-T-R18-Q8	1
R $\frac{1}{4}$	2.0	4	10.0	26.2	11	25.2	34.0	14	6.5	132453	NPQP-T-R14-Q4	1
	3.2	6	13.0	29.0	11	29.5	40.6	14	8.5	132454	NPQP-T-R14-Q6	1
	4.7	8	15.0	29.3	11	30.8	44.8	14	12.0	132455	NPQP-T-R14-Q8	1
	5.8	10	17.5	36.0	11	38.7	50.8	17	18.0	132456	NPQP-T-R14-Q10	1
R $\frac{3}{8}$	5.8	10	17.5	37.0	12	39.4	50.8	17	19.0	132457	NPQP-T-R38-Q10	1
	6.9	12	21.0	39.0	12	43.2	57.2	22	26.0	132458	NPQP-T-R38-Q12	1
R $\frac{1}{2}$	6.9	12	21.0	42.0	15	44.3	57.2	22	28.0	132459	NPQP-T-R12-Q12	1

1) Packaging unit

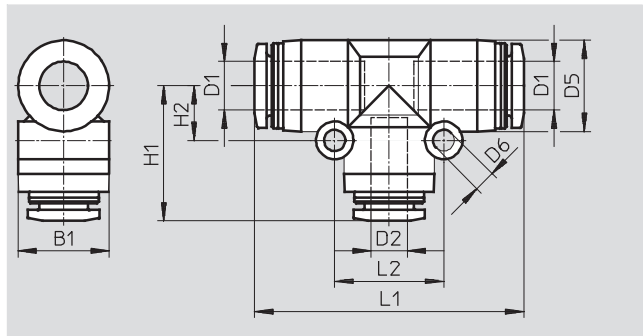
Push-in fittings NPQP

Technical data

Push-in T-connector NPQP-T



Reducing



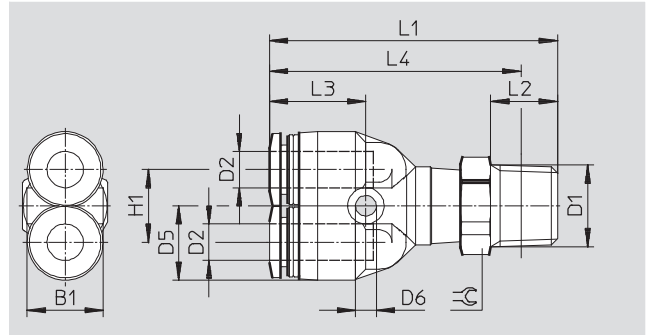
Dimensions and ordering data													
Tubing O.D.	Nominal size	Tubing O.D.	D5 ∅	D6	B1	H1	H2	L1	L2	Weight/piece	Part No.	Type	PU ¹⁾
D1	[mm]	D2								[g]			
4	2.6	4	10.0	3.2	10.0	17.0	6.5	34.0	13.0	6.5	132560	NPQP-T-Q4-E	1
6	4.0	6	13.0	3.2	13.5	20.2	8.0	40.4	16.0	9.0	132561	NPQP-T-Q6-E	1
8	5.0	8	15.0	3.2	15.0	22.2	9.0	44.4	18.0	13.0	132562	NPQP-T-Q8-E	1
10	6.7	10	17.5	4.2	17.5	25.4	12.0	50.8	24.0	21.0	132563	NPQP-T-Q10-E	1
12	8.7	12	21.0	4.2	21.7	28.4	14.0	57.2	28.0	30.0	132564	NPQP-T-Q12-E	1
Reducing													
6	2.3	4	13.0	3.2	13.5	19.6	8.0	40.4	16.0	9.0	132566	NPQP-T-Q6-Q4	1
8	3.6	6	15.0	3.2	15.0	22.4	9.0	44.4	18.0	12.0	132567	NPQP-T-Q8-Q6	1
10	5.0	8	17.5	4.2	17.5	24.9	12.0	50.8	24.0	19.5	132568	NPQP-T-Q10-Q8	1
12	6.4	10	21.0	4.2	21.7	28.2	14.0	57.2	28.0	28.0	132569	NPQP-T-Q12-Q10	1

1) Packaging unit

Push-in fittings NPQP

Technical data

Push-in Y-fitting NPQP-Y



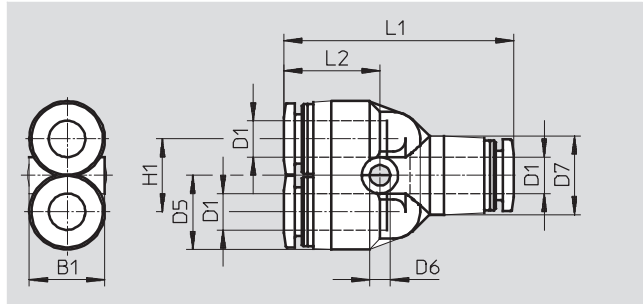
Dimensions and ordering data															
Connection	Nominal size [mm]	Tubing O.D.	D5	D6	B1	H1	L1	L2	L3	L4	⌀C	Weight/piece [g]	Part No.	Type	PU ¹⁾
D1		D2													
R thread															
R ¹ / ₈	2.0	4	10.0	3.4	10.0	11	40.7	8	14.2	36.7	10	6.5	132461	NPQP-Y-R18-Q4	1
	2.8	6	12.5	3.4	13.5	12	44.5	8	15.9	40.5	12	8.0	132462	NPQP-Y-R18-Q6	1
	4.5	8	14.5	3.4	14.5	14	48.7	8	17.2	44.7	14	12.0	132463	NPQP-Y-R18-Q8	1
R ¹ / ₄	2.0	4	10.0	3.4	10.0	11	43.7	11	14.2	37.7	14	7.0	132464	NPQP-Y-R14-Q4	1
	2.8	6	12.5	3.4	13.5	12	47.5	11	15.9	41.5	14	8.5	132465	NPQP-Y-R14-Q6	1
	4.5	8	14.5	3.4	14.5	14	51.7	11	17.2	45.7	14	12.0	132466	NPQP-Y-R14-Q8	1
	5.3	10	18.0	4.5	18.0	18	58.5	11	19.7	52.5	17	20.0	132467	NPQP-Y-R14-Q10	1
R ³ / ₈	5.3	10	18.0	4.5	18.0	18	59.5	12	19.7	53.2	17	21.0	132468	NPQP-Y-R38-Q10	1
	6.2	12	21.0	4.2	21.0	20	64.7	12	22.4	58.4	22	28.0	132469	NPQP-Y-R38-Q12	1
R ¹ / ₂	6.2	12	21.0	4.2	21.0	20	67.7	15	22.4	59.5	22	30.0	132470	NPQP-Y-R12-Q12	1

1) Packaging unit

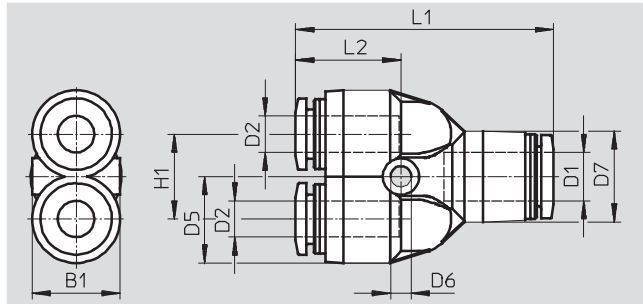
Push-in fittings NPQP

Technical data

Push-in Y-connector NPQP-Y



Reducing



Dimensions and ordering data													
Tubing O.D. D1	Nominal size [mm]	Tubing O.D. D2	D5 ∅	D6	D7	B1	H1	L1	L2	Weight/piece [g]	Part No.	Type	PU ¹⁾
4	2.3	4	10.0	3.4	10.0	10.0	11.0	33.0	14.2	6.5	132571	NPQP-Y-Q4-E	1
6	3.6	6	12.5	3.4	13.0	13.5	12.0	38.0	15.9	9.0	132572	NPQP-Y-Q6-E	1
8	4.6	8	14.5	3.4	15.0	14.5	14.0	42.4	17.2	13.0	132573	NPQP-Y-Q8-E	1
10	5.9	10	18.0	4.5	18.0	18.0	18.0	48.8	19.7	22.0	132574	NPQP-Y-Q10-E	1
12	7.0	12	21.0	4.2	21.5	21.0	20.0	55.2	22.4	31.0	132575	NPQP-Y-Q12-E	1
Reducing													
6	2.3	4	12.5	3.4	13.0	13.5	12.0	37.4	15.3	8.5	132577	NPQP-Y-Q6-Q4	1
8	3.6	6	14.5	3.4	15.0	14.5	14.0	42.6	17.4	11.5	132578	NPQP-Y-Q8-Q6	1
10	4.7	8	18.0	4.5	18.0	18.0	18.0	48.3	19.2	18.5	132579	NPQP-Y-Q10-Q8	1
12	5.9	10	21.0	4.2	21.5	21.0	20.0	55.0	22.2	28.5	132580	NPQP-Y-Q12-Q10	1

1) Packaging unit

Product Range and Company Overview

A Complete Suite of Automation Services

Our experienced engineers provide complete support at every stage of your development process, including: conceptualization, analysis, engineering, design, assembly, documentation, validation, and production.



Custom Automation Components
Complete custom engineered solutions



Custom Control Cabinets
Comprehensive engineering support and on-site services



Complete Systems
Shipment, stocking and storage services

The Broadest Range of Automation Components

With a comprehensive line of more than 30,000 automation components, Festo is capable of solving the most complex automation requirements.



Electromechanical
Electromechanical actuators, motors, controllers & drives



Pneumatics
Pneumatic linear and rotary actuators, valves, and air supply



PLCs and I/O Devices
PLC's, operator interfaces, sensors and I/O devices

Supporting Advanced Automation... As No One Else Can!

Festo is a leading global manufacturer of pneumatic and electromechanical systems, components and controls for industrial automation, with more than 12,000 employees in 56 national headquarters serving more than 180 countries. For more than 80 years, Festo has continuously elevated the state of manufacturing with innovations and optimized motion control solutions that deliver higher performing, more profitable automated manufacturing and processing equipment. Our dedication to the advancement of automation extends beyond technology to the education and development of current and future automation and robotics designers with simulation tools, teaching programs, and on-site services.

Quality Assurance, ISO 9001 and ISO 14001 Certifications

Festo Corporation is committed to supply all Festo products and services that will meet or exceed our customers' requirements in product quality, delivery, customer service and satisfaction.

To meet this commitment, we strive to ensure a consistent, integrated, and systematic approach to management that will meet or exceed the requirements of the ISO 9001 standard for Quality Management and the ISO 14001 standard for Environmental Management.



© Copyright 2008, Festo Corporation. While every effort is made to ensure that all dimensions and specifications are correct, Festo cannot guarantee that publications are completely free of any error, in particular typing or printing errors. Accordingly, Festo cannot be held responsible for the same. For Liability and Warranty conditions, refer to our "Terms and Conditions of Sale", available from your local Festo office. All rights reserved. No part of this publication may be reproduced, distributed, or transmitted in any form or by any means, electronic, mechanical, photocopying or otherwise, without the prior written permission of Festo. All technical data subject to change according to technical update.



Printed on recycled paper at New Horizon Graphic, Inc., FSC certified as an environmentally friendly printing plant.

Festo North America

Festo Regional Contact Center

5300 Explorer Drive
Mississauga, Ontario L4W 5G4
Canada

USA Customers:

For ordering assistance,

Call: 1.800.99.FESTO (1.800.993.3786)

Fax: 1.800.96.FESTO (1.800.963.3786)

Email: customer.service@us.festo.com

For technical support,

Call: 1.866.GO.FESTO (1.866.463.3786)

Fax: 1.800.96.FESTO (1.800.963.3786)

Email: product.support@us.festo.com

Canadian Customers:

Call: 1.877.GO.FESTO (1.877.463.3786)

Fax: 1.877.FX.FESTO (1.877.393.3786)

Email: festo.canada@ca.festo.com

USA Headquarters

Festo Corporation
395 Moreland Road
P.O. Box 18023
Hauppauge, NY 11788, USA
www.festo.com/us

USA Sales Offices

Appleton

North 922 Tower View Drive, Suite N
Greenville, WI 54942, USA

Boston

120 Presidential Way, Suite 330
Woburn, MA 01801, USA

Chicago

1441 East Business Center Drive
Mt. Prospect, IL 60056, USA

Dallas

1825 Lakeway Drive, Suite 600
Lewisville, TX 75057, USA

Detroit – Automotive Engineering Center

2601 Cambridge Court, Suite 320
Auburn Hills, MI 48326, USA

New York

395 Moreland Road
Hauppauge, NY 11788, USA

Silicon Valley

4935 Southfront Road, Suite F
Livermore, CA 94550, USA

United States



USA Headquarters, East: Festo Corp., 395 Moreland Road, Hauppauge, NY 11788

Phone: 1.631.435.0800; Fax: 1.631.435.8026;

Email: info@festo-usa.com

www.festo.com/us

Canada



Headquarters: Festo Inc., 5300 Explorer Drive, Mississauga, Ontario L4W 5G4

Phone: 1.905.624.9000; Fax: 1.905.624.9001;

Email: festo.canada@ca.festo.com

www.festo.ca

Mexico



Headquarters: Festo Pneumatic, S.A., Av. Ceylán 3, Col. Tequesquahuac,
54020 Tlalneantla, Edo. de México

Phone: 011 52 [55] 53 21 66 00; Fax: 011 52 [55] 53 21 66 65;

Email: festo.mexico@mx.festo.com

www.festo.com/mx

Central USA

Festo Corporation
1441 East Business
Center Drive
Mt. Prospect, IL 60056, USA
Phone: 1.847.759.2600
Fax: 1.847.768.9480



Western USA

Festo Corporation
4935 Southfront Road,
Suite F
Livermore, CA 94550, USA
Phone: 1.925.371.1099
Fax: 1.925.245.1286



Festo Worldwide

Argentina Australia Austria Belarus Belgium Brazil Bulgaria Canada Chile China Colombia Croatia Czech Republic Denmark
Estonia Finland France Germany Great Britain Greece Hong Kong Hungary India Indonesia Iran Ireland Israel Italy Japan Latvia
Lithuania Malaysia Mexico Netherlands New Zealand Norway Peru Philippines Poland Romania Russia Serbia Singapore
Slovakia Slovenia South Africa South Korea Spain Sweden Switzerland Taiwan Thailand Turkey Ukraine United States Venezuela

www.festo.com