





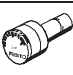




Pressure gauges



Pressure gauges

Product range overview

FESTO

| Type | Pneumatic connection | Nominal size | | | | | | | Display unit | | | Red/green range | → Page/Internet |
|---|---|--------------|----|----|----|----|----|----|--------------|-----|-----|-----------------|-----------------|
| | | 15 | 23 | 26 | 27 | 40 | 50 | 63 | bar | MPa | psi | | |
| Pressure gauge MA-...-EN |  R $\frac{1}{8}$, R $\frac{1}{4}$, G $\frac{1}{4}$ | - | - | - | - | ■ | ■ | ■ | ■ | - | ■ | - | 3 |
| Pressure gauge with red/green range MA-...-RG |  R $\frac{1}{8}$, R $\frac{1}{4}$ | - | - | - | - | ■ | ■ | ■ | ■ | ■ | ■ | ■ | 6 |
| Pressure gauge MA |  M5, R $\frac{1}{8}$, G $\frac{1}{8}$, G $\frac{1}{4}$ | - | ■ | - | ■ | ■ | ■ | ■ | ■ | ■ | ■ | - | 9 |
| Precision pressure gauge MAP |  R $\frac{1}{8}$ | - | - | - | - | ■ | - | - | ■ | - | ■ | - | 13 |
| Pressure gauge MA-...-QS |  QS-4, QS-6, QS-8 | ■ | - | - | - | - | - | - | ■ | - | - | - | 14 |
| Flanged pressure gauge FMA-...-EN |  G $\frac{1}{4}$ | - | - | - | - | ■ | ■ | ■ | ■ | - | ■ | - | 15 |
| Flanged pressure gauge FMA |  G $\frac{1}{4}$ | - | - | - | - | - | - | ■ | ■ | - | ■ | - | 17 |
| Precision flanged pressure gauge FMAP |  G $\frac{1}{4}$ | - | - | - | - | - | - | ■ | ■ | - | ■ | - | 18 |
| Pressure gauge PAGN |  For QSP10 | - | - | ■ | - | ■ | - | - | ■ | ■ | ■ | - | 20 |

Pressure gauges MA-EN

Technical data

Function



Temperature range
-20 ... +60 °C



| Technical data | | | | | |
|-----------------------------|-----------------------------|------------------|-----------------|-----------------|-----------------|
| Nominal size | 40 | | | 50 | 63 |
| Pneumatic connection | R $\frac{1}{8}$ | R $\frac{1}{4}$ | G $\frac{1}{4}$ | G $\frac{1}{4}$ | G $\frac{1}{4}$ |
| Operating medium | Neutral liquids | | | | |
| | Neutral gases | | | | |
| | Not permitted: oxygen | | | | |
| | Not permitted: acetylene | | | | |
| Design | Bourdon tube pressure gauge | | | | |
| Conforms to | EN 837-1 | | | | |
| Type of mounting | Inline installation | | | | |
| Connection position | Centred, rear side | | | | |
| Ambient temperature [°C] | -20 ... +60 | | | | |
| Temperature of medium [°C] | -20 ... +60 ¹⁾ | | | | |
| Measurement accuracy class | 2.5 | | | | |
| Continuous load factor | 0.75 | | | | |
| Intermittent load factor | 0.66 | | | | |
| Protection class | IP43 | | | | |
| For MS series service units | MS4 | MS4/MS6/MS9/MS12 | | - | - |
| Weight [g] | 60 | 70 | 70 | 70 | 80 |

1) With a media temperature below 0 °C, the operating medium should be dry.

| Materials | | | | | |
|--------------------------------------|---|-----------------|-----------------|-----------------|-----------------|
| Nominal size | 40 | | | 50 | 63 |
| Pneumatic connection | R $\frac{1}{8}$ | R $\frac{1}{4}$ | G $\frac{1}{4}$ | G $\frac{1}{4}$ | G $\frac{1}{4}$ |
| Housing | Acrylic butadiene styrene (colour: black) | | | | |
| Inspection window | Polystyrene | | | | |
| Threaded plug | Brass | | | | |
| Materials in contact with the medium | Brass | | | | |
| Note on materials | RoHS-compliant | | | | |

| Display range | | | | | |
|----------------------|-----------------|-----------------|-----------------|-----------------|-----------------|
| Nominal size | 40 | | | 50 | 63 |
| Pneumatic connection | R $\frac{1}{8}$ | R $\frac{1}{4}$ | G $\frac{1}{4}$ | G $\frac{1}{4}$ | G $\frac{1}{4}$ |
| [bar] | [psi] | | | | |
| 0 ... 1 | 0 ... 14.5 | - | - | - | ■ |
| 0 ... 2.5 | 0 ... 36 | - | - | ■ | ■ |
| 0 ... 6 | 0 ... 87 | - | ■ | ■ | - |
| 0 ... 10 | 0 ... 145 | ■ | ■ | ■ | ■ |
| 0 ... 16 | 0 ... 232 | - | ■ | ■ | ■ |
| 0 ... 25 | 0 ... 360 | ■ | ■ | ■ | - |

Pressure gauges MA-EN

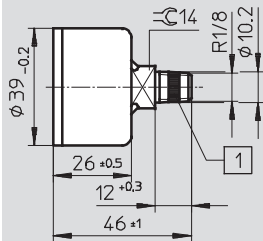
Technical data

FESTO

Dimensions

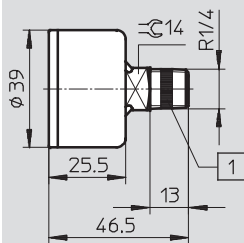
Download CAD Data → www.festo.com/us/cad

MA-40, R $\frac{1}{8}$



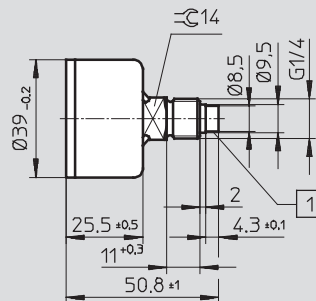
- 1 PTFE seal with MA-40-25- $\frac{1}{8}$ -EN

MA-40, R $\frac{1}{4}$



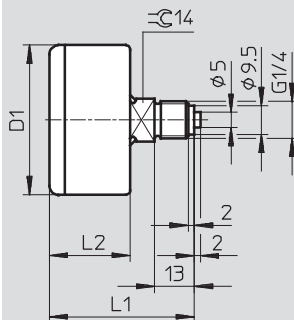
- 1 PTFE seal

MA-40, G $\frac{1}{4}$



- 1 With pre-assembled PTFE sealing ring

MA-50/63, G $\frac{1}{4}$



| Type | D1 Ø | L1 | L2 |
|-------|---------|------|------|
| MA-50 | 49 | 47.5 | 26.5 |
| MA-63 | 61.5 | 48.5 | 27.5 |

Pressure gauges MA-EN

Technical data

FESTO

| Ordering data | | | | | | |
|---------------|----------------------|--------------------|---------------|------------|----------|------------------------------|
| Nominal size | Pneumatic connection | Operating pressure | Display range | | Part No. | Type |
| | | | [bar] | [psi] | | |
| 40 | R $\frac{1}{8}$ | 0 ... 10 bar | 0 ... 10 | 0 ... 145 | 162835 | MA-40-10- $\frac{1}{8}$ -EN |
| | | 0 ... 25 bar | 0 ... 25 | 0 ... 360 | 526167 | MA-40-25- $\frac{1}{8}$ -EN |
| | R $\frac{1}{4}$ | 0 ... 6 bar | 0 ... 6 | 0 ... 87 | 187078 | MA-40-6-R $\frac{1}{4}$ -EN |
| | | 0 ... 10 bar | 0 ... 10 | 0 ... 145 | 187079 | MA-40-10-R $\frac{1}{4}$ -EN |
| | | 0 ... 16 bar | 0 ... 16 | 0 ... 232 | 187080 | MA-40-16-R $\frac{1}{4}$ -EN |
| | | 0 ... 25 bar | 0 ... 25 | 0 ... 360 | 187081 | MA-40-25-R $\frac{1}{4}$ -EN |
| | G $\frac{1}{4}$ | 0 ... 6 bar | 0 ... 6 | 0 ... 87 | 183899 | MA-40-6-G $\frac{1}{4}$ -EN |
| | | 0 ... 10 bar | 0 ... 10 | 0 ... 145 | 183900 | MA-40-10-G $\frac{1}{4}$ -EN |
| | | 0 ... 16 bar | 0 ... 16 | 0 ... 232 | 183901 | MA-40-16-G $\frac{1}{4}$ -EN |
| | | 0 ... 25 bar | 0 ... 25 | 0 ... 360 | 183902 | MA-40-25-G $\frac{1}{4}$ -EN |
| 50 | G $\frac{1}{4}$ | 0 ... 2.5 bar | 0 ... 2.5 | 0 ... 36 | 162837 | MA-50-2,5- $\frac{1}{4}$ -EN |
| | | 0 ... 10 bar | 0 ... 10 | 0 ... 145 | 162838 | MA-50-10- $\frac{1}{4}$ -EN |
| | | 0 ... 16 bar | 0 ... 16 | 0 ... 232 | 162839 | MA-50-16- $\frac{1}{4}$ -EN |
| 63 | G $\frac{1}{4}$ | 0 ... 1 bar | 0 ... 1 | 0 ... 14.5 | 162844 | MA-63-1- $\frac{1}{4}$ -EN |
| | | 0 ... 2.5 bar | 0 ... 2.5 | 0 ... 36 | 162845 | MA-63-2,5- $\frac{1}{4}$ -EN |
| | | 0 ... 10 bar | 0 ... 10 | 0 ... 145 | 162840 | MA-63-10- $\frac{1}{4}$ -EN |
| | | 0 ... 16 bar | 0 ... 16 | 0 ... 232 | 162841 | MA-63-16- $\frac{1}{4}$ -EN |

Pressure gauges MA-RG, with red/green range

Technical data

Function



Temperature range

-20 ... +60 °C



The adjustable red/green range provides additional safety when monitoring compressed air.

With the two red segments above the pressure gauge scale along with the printed green segment it is possible to

individually limit the desired pressure range. This coloured demarcation enables you to recognise immediately

whether or not the pressure is in the permitted tolerance range.

| Technical data | | | |
|-----------------------------|-----------------------------|------------------|-----------------|
| Nominal size | 40 | 50 | 63 |
| Pneumatic connection | R $\frac{1}{8}$ | R $\frac{1}{4}$ | R $\frac{1}{4}$ |
| Operating medium | Neutral liquids | | |
| | Neutral gases | | |
| | Not permitted: oxygen | | |
| | Not permitted: acetylene | | |
| Design | Bourdon tube pressure gauge | | |
| Conforms to | EN 837-1 | | |
| Type of mounting | Inline installation | | |
| Connection position | Centred, rear side | | |
| Ambient temperature [°C] | -20 ... +60 | | |
| Temperature of medium [°C] | -20 ... +60 ¹⁾ | | |
| Measurement accuracy class | 2.5 | | |
| Continuous load factor | 0.75 | | |
| Intermittent load factor | 0.66 | | |
| Protection class | IP43 | | |
| For MS series service units | MS4 | MS4/MS6/MS9/MS12 | - |
| Weight [g] | 60 | 75 | 90 |

1) With a media temperature below 0 °C, the operating medium should be dry.

| Materials | |
|--|---|
| Housing | Acrylic butadiene styrene (colour: black) |
| Inspection window | Polymethyl methacrylate |
| Threaded plug/ materials in contact with the medium | Brass |
| Note on materials | RoHS-compliant |

Pressure gauges MA-RG, with red/green range

Technical data

| Display range | | | |
|----------------------|-----------------|-----------------|-----------------|
| Nominal size | 40 | 50 | 63 |
| Pneumatic connection | R $\frac{1}{8}$ | R $\frac{1}{4}$ | R $\frac{1}{4}$ |
| [bar] | | | |
| 0 ... 2.5 | ■ | ■ | ■ |
| 0 ... 10 | ■ | ■ | ■ |
| 0 ... 16 | ■ | ■ | ■ |
| [MPa] | | | |
| 0 ... 0.25 | - | ■ | ■ |
| 0 ... 1 | ■ | ■ | ■ |
| 0 ... 1.6 | ■ | ■ | ■ |
| [psi] | | | |
| 0 ... 36 | - | ■ | ■ |
| 0 ... 145 | ■ | ■ | ■ |
| 0 ... 232 | ■ | ■ | ■ |

Dimensions Download CAD Data → www.festo.com/us/cad

MA-...-E-RG

coated with thread sealing compound

| Type | D1 Ø ±0.5 | D2 | L1 ±1 | L2 ±0.5 | L3 |
|----------------|-----------------|-----------------|----------|------------|----|
| MA-40-...-E-RG | 39 | R $\frac{1}{8}$ | 46 | 28 | 10 |
| MA-50-...-E-RG | 49 | R $\frac{1}{4}$ | 49 | 28 | 13 |
| MA-63-...-E-RG | 61.5 | R $\frac{1}{4}$ | 50.5 | 29.5 | 13 |

Pressure gauges MA-RG, with red/green range

FESTO

Technical data

| Ordering data | | | | | |
|--------------------|----------------------|--------------------|---------------|----------|--------------------------------------|
| Nominal size | Pneumatic connection | Operating pressure | Display range | Part No. | Type |
| Display unit [bar] | | | | | |
| 40 | R $\frac{1}{8}$ | 0 ... 2.5 bar | 0 ... 2.5 | 546963 | MA-40-2,5-R $\frac{1}{8}$ -E-RG |
| | | 0 ... 10 bar | 0 ... 10 | 525725 | MA-40-10-R $\frac{1}{8}$ -E-RG |
| | | 0 ... 16 bar | 0 ... 16 | 525726 | MA-40-16-R $\frac{1}{8}$ -E-RG |
| 50 | R $\frac{1}{4}$ | 0 ... 2.5 bar | 0 ... 2.5 | 525727 | MA-50-2,5-R $\frac{1}{4}$ -E-RG |
| | | 0 ... 10 bar | 0 ... 10 | 525728 | MA-50-10-R $\frac{1}{4}$ -E-RG |
| | | 0 ... 16 bar | 0 ... 16 | 525729 | MA-50-16-R $\frac{1}{4}$ -E-RG |
| 63 | R $\frac{1}{4}$ | 0 ... 2.5 bar | 0 ... 2.5 | 525730 | MA-63-2,5-R $\frac{1}{4}$ -E-RG |
| | | 0 ... 10 bar | 0 ... 10 | 525731 | MA-63-10-R $\frac{1}{4}$ -E-RG |
| | | 0 ... 16 bar | 0 ... 16 | 525732 | MA-63-16-R $\frac{1}{4}$ -E-RG |
| Display unit [MPa] | | | | | |
| 40 | R $\frac{1}{8}$ | 0 ... 1 MPa | 0 ... 1 | 526778 | MA-40-1,0-R $\frac{1}{8}$ -MPA-E-RG |
| | | 0 ... 1.6 MPa | 0 ... 1.6 | 526779 | MA-40-1,6-R $\frac{1}{8}$ -MPA-E-RG |
| | | 0 ... 0.25 MPa | 0 ... 0.25 | 526780 | MA-50-0,25-R $\frac{1}{4}$ -MPA-E-RG |
| 50 | R $\frac{1}{4}$ | 0 ... 1 MPa | 0 ... 1 | 526781 | MA-50-1,0-R $\frac{1}{4}$ -MPA-E-RG |
| | | 0 ... 1.6 MPa | 0 ... 1.6 | 526782 | MA-50-1,6-R $\frac{1}{4}$ -MPA-E-RG |
| | | 0 ... 0.25 MPa | 0 ... 0.25 | 526783 | MA-63-0,25-R $\frac{1}{4}$ -MPA-E-RG |
| 63 | R $\frac{1}{4}$ | 0 ... 1 MPa | 0 ... 1 | 526784 | MA-63-1,0-R $\frac{1}{4}$ -MPA-E-RG |
| | | 0 ... 1.6 MPa | 0 ... 1.6 | 526785 | MA-63-1,6-R $\frac{1}{4}$ -MPA-E-RG |
| | | Display unit [psi] | | | |
| 40 | R $\frac{1}{8}$ | 0 ... 145 psi | 0 ... 145 | 526786 | MA-40-145-R $\frac{1}{8}$ -PSI-E-RG |
| | | 0 ... 232 psi | 0 ... 232 | 526787 | MA-40-232-R $\frac{1}{8}$ -PSI-E-RG |
| 50 | R $\frac{1}{4}$ | 0 ... 36 psi | 0 ... 36 | 526788 | MA-50-36-R $\frac{1}{4}$ -PSI-E-RG |
| | | 0 ... 145 psi | 0 ... 145 | 526789 | MA-50-145-R $\frac{1}{4}$ -PSI-E-RG |
| | | 0 ... 232 psi | 0 ... 232 | 526790 | MA-50-232-R $\frac{1}{4}$ -PSI-E-RG |
| 63 | R $\frac{1}{4}$ | 0 ... 36 psi | 0 ... 36 | 526791 | MA-63-36-R $\frac{1}{4}$ -PSI-E-RG |
| | | 0 ... 145 psi | 0 ... 145 | 526792 | MA-63-145-R $\frac{1}{4}$ -PSI-E-RG |
| | | 0 ... 232 psi | 0 ... 232 | 526793 | MA-63-232-R $\frac{1}{4}$ -PSI-E-RG |

Pressure gauges MA

Technical data

FESTO

Function



Temperature range
-20 ... +60 °C



| Technical data | | | | | | | |
|----------------------------|-----------------------------|-----------|---------------------------|-----------------|---------------------------|------------------------|---------------------------|
| Nominal size | 23 | 27 | 40 | 50 | 63 | | |
| Pneumatic connection | R $\frac{1}{8}$ | M5 | R $\frac{1}{8}$ | G $\frac{1}{8}$ | G $\frac{1}{4}$ | G $\frac{1}{4}$ | G $\frac{1}{4}$ |
| Operating medium | Neutral liquids | | | | | | - |
| | Neutral gases | | | | | | |
| | Not permitted: oxygen | | | | | | |
| | Not permitted: acetylene | | | | | | |
| Design | Bourdon tube pressure gauge | | | | | Capsule pressure gauge | |
| Conforms to | EN 837-1 | | | | | EN 837-3 | |
| Type of mounting | Inline installation | | | | | | |
| Connection position | Centred, rear side | | | | | | |
| Ambient temperature [°C] | -20 ... +60 | 0 ... +60 | -20 ... +60 | | -20 ... +60 | | -20 ... +60 |
| Temperature of medium [°C] | -20 ... +60 ¹⁾ | 0 ... +60 | -20 ... +60 ¹⁾ | | -20 ... +60 ¹⁾ | | -20 ... +80 ¹⁾ |
| Measurement accuracy class | 5 | 4 | 2.5 | | | | 1.6 |
| Continuous load factor | 0.75 | 0.75 | | | | | 0.75 |
| Intermittent load factor | 0.6 | 0.66 | | | | | 0.9 |
| Protection class | IP44 | IP43 | | | | | IP43 |
| For D series service units | - | MICRO | - | MINI | - | MIDI/MAXI | - |
| Weight [g] | 27 | 11 | 8 | 60 | 70 | 70 | 180 |

1) With a media temperature below 0 °C, the operating medium should be dry.

| Materials | | | | | | | |
|---|-----------------------|---------------------------|----------------------|---|-----------------|-------------------------|-----------------|
| Nominal size | 23 | 27 | 40 | 50 | 63 | | |
| Pneumatic connection | R $\frac{1}{8}$ | M5 | R $\frac{1}{8}$ | G $\frac{1}{8}$ | G $\frac{1}{4}$ | G $\frac{1}{4}$ | G $\frac{1}{4}$ |
| Housing | Brass (colour: black) | Polyamide (colour: black) | | Acrylic butadiene styrene (colour: black) | | Steel | |
| Inspection window | Polycarbonate | Polystyrene | | Polystyrene | | Polymethyl methacrylate | |
| Threaded plug/ materials in contact with the medium | Brass | Brass | Reinforced polyamide | Brass | | Brass | |
| Note on materials | RoHS-compliant | | | | | | |

Pressure gauges MA

Technical data

FESTO

| Display range | | | | | | | | |
|----------------------|-----------|-----------------|----|-----------------|-----------------|-----------------|-----------------|-----------------|
| Nominal size | | 23 | 27 | 40 | | 50 | 63 | |
| Pneumatic connection | | R $\frac{1}{8}$ | M5 | R $\frac{1}{8}$ | G $\frac{1}{8}$ | G $\frac{1}{4}$ | G $\frac{1}{4}$ | G $\frac{1}{4}$ |
| [bar] | [psi] | | | | | | | |
| 0 ... 0.25 | 0 ... 3.6 | - | - | - | - | - | - | ■ |
| 0 ... 6 | 0 ... 87 | ■ | - | - | - | - | - | - |
| 0 ... 10 | 0 ... 145 | ■ | - | - | ■ | - | ■ | - |
| 0 ... 16 | 0 ... 232 | ■ | - | ■ | ■ | - | ■ | - |
| 0 ... 25 | 0 ... 360 | - | - | ■ | - | - | - | - |
| [bar] | | | | | | | | |
| 0 ... 10 | | - | ■ | - | - | - | - | - |
| [MPa] | | | | | | | | |
| 0 ... 0.6 | | - | - | - | - | ■ | - | - |
| 0 ... 1 | | - | ■ | - | ■ | ■ | ■ | - |
| 0 ... 1.6 | | - | - | - | ■ | ■ | ■ | - |
| 0 ... 2.5 | | - | - | - | - | ■ | - | - |
| [psi] | | | | | | | | |
| 0 ... 160 | | - | ■ | - | - | - | - | - |

Pressure gauges MA

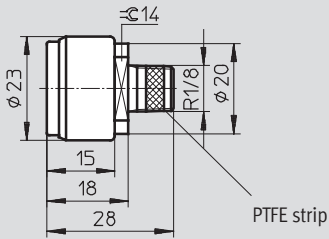
Technical data

FESTO

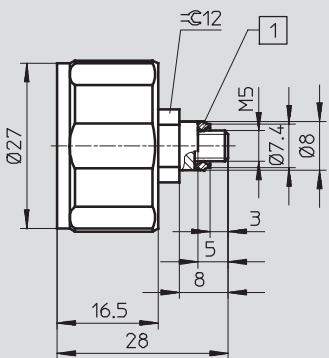
Dimensions

Download CAD Data → www.festo.com/us/cad

MA-23

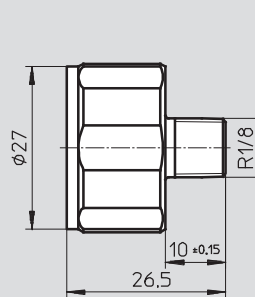


MA-27, M5

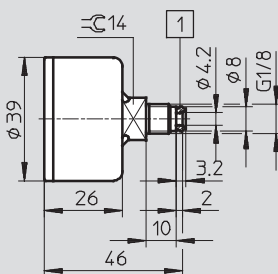


1 With pre-assembled polyamide sealing ring

MA-27, R1/8

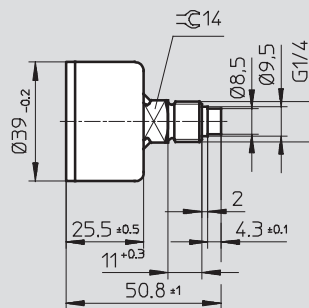


MA-40, G1/8

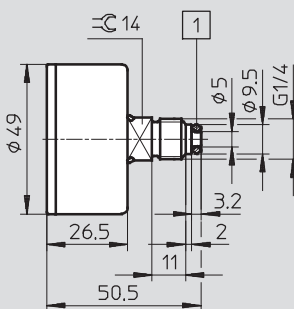


1 With pre-assembled aluminium sealing ring with MA-40-...-G1/8-MPA

MA-40, G1/4

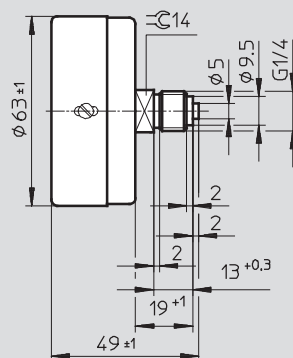


MA-50



1 With pre-assembled aluminium sealing ring with MA-50-...-G1/4-MPA

MA-63



Pressure gauges MA

Technical data

FESTO

| Ordering data | | | | | | |
|---------------|----------------------|--------------------|---------------|-----------|----------|---------------|
| Nominal size | Pneumatic connection | Operating pressure | Display range | | Part No. | Type |
| | | | [bar] | [psi] | | |
| 23 | R1/8 | 0 ... 6 bar | 0 ... 6 | 0 ... 87 | 183896 | MA-23-6-R1/8 |
| | | 0 ... 10 bar | 0 ... 10 | 0 ... 145 | 183897 | MA-23-10-R1/8 |
| | | 0 ... 16 bar | 0 ... 16 | 0 ... 232 | 183898 | MA-23-16-R1/8 |
| 27 | R1/8 | 0 ... 16 bar | 0 ... 16 | 0 ... 232 | 541733 | MA-27-16-R1/8 |
| | | 0 ... 25 bar | 0 ... 25 | 0 ... 360 | 541734 | MA-27-25-R1/8 |
| 40 | G1/8 | 0 ... 10 bar | 0 ... 10 | 0 ... 145 | 359874 | MA-40-10-1/8 |
| | | 0 ... 16 bar | 0 ... 16 | 0 ... 232 | 345395 | MA-40-16-1/8 |
| 50 | G1/4 | 0 ... 10 bar | 0 ... 10 | 0 ... 145 | 359873 | MA-50-10-1/4 |
| | | 0 ... 16 bar | 0 ... 16 | 0 ... 232 | 356759 | MA-50-16-1/4 |
| 63 | G1/4 | 0 ... 0.25 bar | 0 ... 0.25 | 0 ... 3.6 | 7169 | MA-63-0,25 |

| Ordering data | | | | | | |
|--------------------|----------------------|--------------------|---------------|-------|----------|--------------------|
| Nominal size | Pneumatic connection | Operating pressure | Display range | | Part No. | Type |
| | | | [bar] | [psi] | | |
| Display unit [bar] | | | | | | |
| 27 | M5 | 0 ... 10 bar | 0 ... 10 | | 526323 | MA-27-10-M5 |
| Display unit [MPa] | | | | | | |
| 27 | M5 | 0 ... 1 MPa | 0 ... 1 | | 526324 | MA-27-1,0-M5-MPA |
| 40 | G1/8 | 0 ... 1 MPa | 0 ... 1 | | 192732 | MA-40-1-G1/8-MPA |
| | | 0 ... 1.6 MPa | 0 ... 1.6 | | 192733 | MA-40-1,6-G1/8-MPA |
| | G1/4 | 0 ... 0.6 MPa | 0 ... 0.6 | | 184285 | MA-40-0,6-G1/4-MPA |
| | | 0 ... 1 MPa | 0 ... 1 | | 184286 | MA-40-1,0-G1/4-MPA |
| | | 0 ... 1.6 MPa | 0 ... 1.6 | | 184287 | MA-40-1,6-G1/4-MPA |
| | | 0 ... 2.5 MPa | 0 ... 2.5 | | 184288 | MA-40-2,5-G1/4-MPA |
| 50 | G1/4 | 0 ... 1 MPa | 0 ... 1 | | 192734 | MA-50-1-G1/4-MPA |
| | | 0 ... 1.6 MPa | 0 ... 1.6 | | 192735 | MA-50-1,6-G1/4-MPA |
| Display unit [psi] | | | | | | |
| 27 | M5 | 0 ... 160 psi | 0 ... 160 | | 527405 | MA-27-160-M5-PSI |

Precision pressure gauges MAP

FESTO

Technical data

Function



Temperature range
-20 ... +60 °C



| Technical data | |
|----------------------------|-----------------------------|
| Nominal size | 40 |
| Pneumatic connection | R1/8 |
| Operating medium | Neutral liquids |
| | Neutral gases |
| | Not permitted: oxygen |
| | Not permitted: acetylene |
| Design | Bourdon tube pressure gauge |
| Conforms to | EN 837-1 |
| Type of mounting | Inline installation |
| Connection position | Centred, rear side |
| Ambient temperature [°C] | -20 ... +60 |
| Temperature of medium [°C] | -20 ... +60 ¹⁾ |
| Measurement accuracy class | 1.6 |
| Continuous load factor | 0.75 |
| Intermittent load factor | 0.66 |
| Protection class | IP43 |
| Weight [g] | 60 |

1) With a media temperature below 0 °C, the operating medium should be dry.

| Materials | |
|--|---|
| Housing | Acrylic butadiene styrene (colour: black) |
| Inspection window | Polystyrene |
| Threaded plug/ materials in contact with the medium | Brass |
| Note on materials | RoHS-compliant |

Dimensions Download CAD Data → www.festo.com/us/cad

| Ordering data | | | | | |
|---------------|----------------------|--------------------|---------------|-----------|-------------------------|
| Nominal size | Pneumatic connection | Operating pressure | Display range | | Part No. Type |
| | | | [bar] | [psi] | |
| 40 | R1/8 | 0 ... 1 bar | 0 ... 1 | 0 ... 15 | 161126 MAP-40-1-1/8-EN |
| | | 0 ... 4 bar | 0 ... 4 | 0 ... 58 | 162842 MAP-40-4-1/8-EN |
| | | 0 ... 6 bar | 0 ... 6 | 0 ... 87 | 161127 MAP-40-6-1/8-EN |
| | | 0 ... 16 bar | 0 ... 16 | 0 ... 232 | 161128 MAP-40-16-1/8-EN |

Pressure gauges MA-QS

FESTO

Technical data

Function



Temperature range

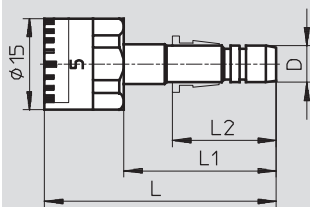
-20 ... +60 °C



| Technical data | |
|----------------------------|---|
| Nominal size | 15 |
| Pneumatic connection | QS-4 QS-6 QS-8 |
| Operating medium | Neutral liquids |
| | Neutral gases |
| | Not permitted: oxygen |
| | Not permitted: acetylene |
| Design | Bourdon tube pressure gauge without measuring mechanism |
| Conforms to | EN 837-1 |
| Type of mounting | Inline installation |
| Connection position | Centred, rear side |
| Ambient temperature [°C] | -20 ... +60 |
| Temperature of medium [°C] | -20 ... +60 |
| Measurement accuracy class | 5 |
| Continuous load factor | 0.75 |
| Intermittent load factor | 0.66 |
| Protection class | IP53 |
| Weight [g] | 10 |

| Materials | |
|--|-----------------------|
| Housing | Steel (colour: black) |
| Inspection window | Polycarbonate |
| Threaded plug/ materials in contact with the medium | Brass |
| Note on materials | RoHS-compliant |

Dimensions Download CAD Data → www.festo.com/us/cad



| Dimensions and ordering data | | | | | | | | |
|------------------------------|------------------------|----|----|------|--------------------|---------------|----------|---------------|
| Nominal size | Pneumatic connection D | L | L1 | L2 | Operating pressure | Display range | Part No. | Type |
| | | | | | | [bar] | | |
| 15 | QS-4 | 36 | 23 | 15 | 0 ... 10 bar | 0 ... 10 | 153383 | MA-15-10-QS-4 |
| | QS-6 | 38 | 25 | 17 | 0 ... 10 bar | 0 ... 10 | 153384 | MA-15-10-QS-6 |
| | QS-8 | 34 | 21 | 18.5 | 0 ... 10 bar | 0 ... 10 | 153385 | MA-15-10-QS-8 |

Flanged pressure gauges FMA-EN

Technical data

Function



Temperature range
-20 ... +60 °C



| Technical data | | | |
|----------------------------|-----------------------------|-----------------|-----------------|
| Nominal size | 40 | 50 | 63 |
| Pneumatic connection | G $\frac{1}{4}$ | G $\frac{1}{4}$ | G $\frac{1}{4}$ |
| Operating medium | Neutral liquids | | |
| | Neutral gases | | |
| | Not permitted: oxygen | | |
| | Not permitted: acetylene | | |
| Design | Bourdon tube pressure gauge | | |
| Conforms to | EN 837-1 | | |
| Type of mounting | Front panel mounting | | |
| Connection position | Centred, rear side | | |
| Ambient temperature [°C] | -20 ... +60 | | |
| Temperature of medium [°C] | -20 ... +60 ¹⁾ | | |
| Measurement accuracy class | 2.5 | | |
| Continuous load factor | 0.75 | | |
| Intermittent load factor | 0.66 | | |
| Protection class | IP43 | | |
| Weight [g] | 80 | 100 | 120 |

1) With a media temperature below 0 °C, the operating medium should be dry.

| Materials | |
|--|---|
| Housing | Acrylic butadiene styrene (colour: black) |
| Inspection window | Styrene acrylonitrile copolymer |
| Mounting ring | Steel |
| Threaded plug/ materials in contact with the medium | Brass |
| Note on materials | RoHS-compliant |

| Display range | | | |
|----------------------|-----------------|-----------------|-----------------|
| Nominal size | 40 | 50 | 63 |
| Pneumatic connection | G $\frac{1}{4}$ | G $\frac{1}{4}$ | G $\frac{1}{4}$ |
| [bar] | [psi] | | |
| 0 ... 2.5 | 0 ... 36 | - | ■ |
| 0 ... 10 | 0 ... 145 | ■ | ■ |
| 0 ... 16 | 0 ... 232 | ■ | ■ |

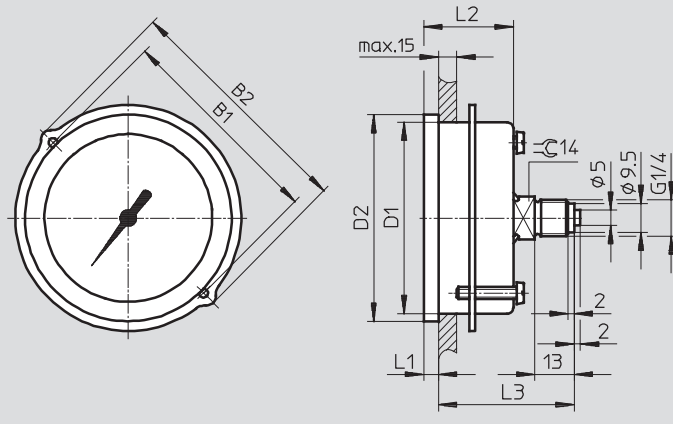
Flanged pressure gauges FMA-EN

Technical data

FESTO

Dimensions

Download CAD Data → www.festo.com/us/cad



| Type | B1 | B2 | D1 Ø | D2 Ø | L1 | L2 | L3 |
|--------|----|----|---------|---------|-----|------|------|
| FMA-40 | 48 | 56 | 40 | 45 | 4.5 | 26.5 | 43 |
| FMA-50 | 57 | 66 | 49.5 | 54 | 4.5 | 26.8 | 43.3 |
| FMA-63 | 70 | 79 | 63 | 68 | 4.8 | 29.5 | 42.5 |

Ordering data

| Nominal size | Pneumatic connection | Operating pressure | Display range | | Part No. | Type |
|--------------|----------------------|--------------------|---------------|-----------|----------|-------------------|
| | | | [bar] | [psi] | | |
| 40 | G1/4 | 0 ... 10 bar | 0 ... 10 | 0 ... 145 | 159596 | FMA-40-10-1/4-EN |
| | | 0 ... 16 bar | 0 ... 16 | 0 ... 232 | 159597 | FMA-40-16-1/4-EN |
| 50 | G1/4 | 0 ... 2.5 bar | 0 ... 2.5 | 0 ... 36 | 159598 | FMA-50-2,5-1/4-EN |
| | | 0 ... 10 bar | 0 ... 10 | 0 ... 145 | 159599 | FMA-50-10-1/4-EN |
| | | 0 ... 16 bar | 0 ... 16 | 0 ... 232 | 159600 | FMA-50-16-1/4-EN |
| 63 | G1/4 | 0 ... 2.5 bar | 0 ... 2.5 | 0 ... 36 | 159601 | FMA-63-2,5-1/4-EN |
| | | 0 ... 10 bar | 0 ... 10 | 0 ... 145 | 159602 | FMA-63-10-1/4-EN |
| | | 0 ... 16 bar | 0 ... 16 | 0 ... 232 | 159603 | FMA-63-16-1/4-EN |

Flanged pressure gauges FMA

Technical data

FESTO

Function



Temperature range

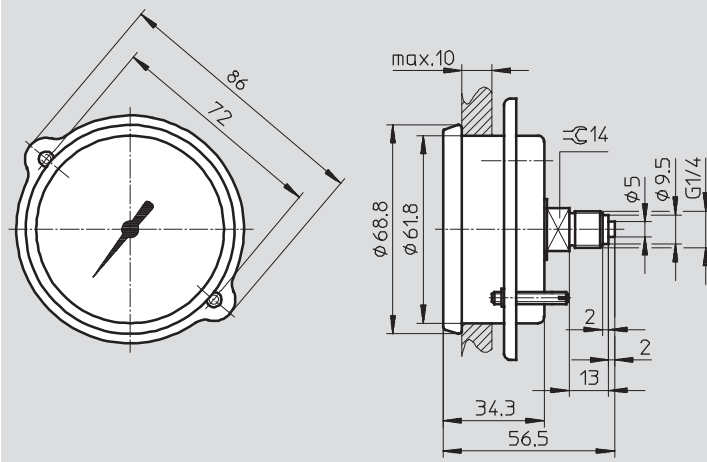
-20 ... +60 °C



| Technical data | |
|----------------------------|--------------------------|
| Nominal size | 63 |
| Pneumatic connection | G $\frac{1}{4}$ |
| Operating medium | Liquid media |
| | Gaseous media |
| | Not permitted: oxygen |
| | Not permitted: acetylene |
| Design | Capsule pressure gauge |
| Conforms to | EN 837-3 |
| Type of mounting | Front panel mounting |
| Connection position | Centred, rear side |
| Ambient temperature [°C] | -20 ... +60 |
| Temperature of medium [°C] | -20 ... +80 |
| Measurement accuracy class | 1.6 |
| Continuous load factor | 0.75 |
| Intermittent load factor | 0.9 |
| Protection class | IP43 |
| Weight [g] | 120 |

| Materials | |
|----------------------|-------------------------|
| Housing | Steel |
| Inspection window | Polymethyl methacrylate |
| Mounting ring/screws | Steel |
| Threaded plug | Brass |

Dimensions Download CAD Data → www.festo.com/us/cad



| Ordering data | | | | | |
|---------------|----------------------|--------------------|---------------|-----------|----------------------|
| Nominal size | Pneumatic connection | Operating pressure | Display range | | Part No. Type |
| | | | [bar] | [psi] | |
| 63 | G $\frac{1}{4}$ | 0 ... 0.25 bar | 0 ... 0.25 | 0 ... 3.6 | 225783 FMA-63-0,25-C |

Precision flanged pressure gauges FMAP

Technical data

FESTO

Function



Temperature range

-20 ... +60 °C

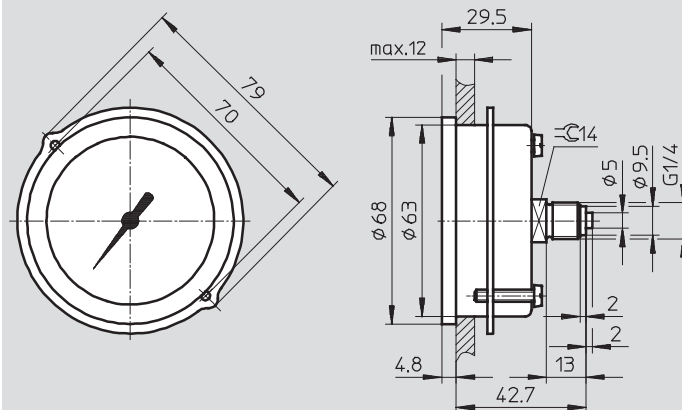


| Technical data | |
|----------------------------|-----------------------------|
| Nominal size | 63 |
| Pneumatic connection | G $\frac{1}{4}$ |
| Operating medium | Neutral liquids |
| | Neutral gases |
| | Not permitted: oxygen |
| | Not permitted: acetylene |
| Design | Bourdon tube pressure gauge |
| Conforms to | EN 837-1 |
| Type of mounting | Front panel mounting |
| Connection position | Centred, rear side |
| Ambient temperature [°C] | -20 ... +60 |
| Temperature of medium [°C] | -20 ... +60 ¹⁾ |
| Measurement accuracy class | 1.0 |
| Continuous load factor | 0.75 |
| Intermittent load factor | 0.66 |
| Protection class | IP43 |
| Weight [g] | 120 |

1) With a media temperature below 0 °C, the operating medium should be dry.

| Materials | |
|--|---|
| Housing | Acrylic butadiene styrene (colour: black) |
| Inspection window | Styrene acrylonitrile copolymer |
| Mounting ring | Steel |
| Threaded plug/ materials in contact with the medium | Brass |
| Note on materials | RoHS-compliant |

Dimensions Download CAD Data → www.festo.com/us/cad



Precision flanged pressure gauges FMAP

Technical data

| Ordering data | | | | | | |
|---------------|----------------------|--------------------|---------------|-----------|----------|-------------------------------|
| Nominal size | Pneumatic connection | Operating pressure | Display range | | Part No. | Type |
| | | | [bar] | [psi] | | |
| 63 | G $\frac{1}{4}$ | 0 ... 1 bar | 0 ... 1 | 0 ... 15 | 161129 | FMAP-63-1- $\frac{1}{4}$ -EN |
| | | 0 ... 4 bar | 0 ... 4 | 0 ... 58 | 162843 | FMAP-63-4- $\frac{1}{4}$ -EN |
| | | 0 ... 6 bar | 0 ... 6 | 0 ... 87 | 161130 | FMAP-63-6- $\frac{1}{4}$ -EN |
| | | 0 ... 16 bar | 0 ... 16 | 0 ... 232 | 161131 | FMAP-63-16- $\frac{1}{4}$ -EN |

Pressure gauges PAGN

FESTO

Technical data

Function



Temperature range

-20 ... +60 °C



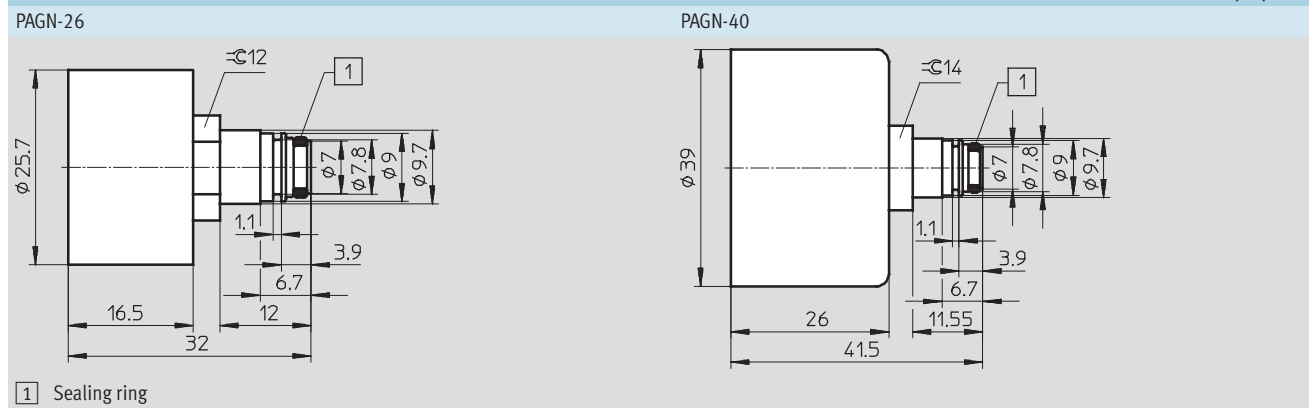
| Technical data | | |
|----------------------------|-----------------------------|-----------|
| Nominal size | 26 | 40 |
| Pneumatic connection | For QSP10 | For QSP10 |
| Operating medium | Neutral liquids | |
| | Neutral gases | |
| | Not permitted: oxygen | |
| | Not permitted: acetylene | |
| Design | Bourdon tube pressure gauge | |
| Conforms to | EN 837-1 | |
| Type of mounting | Inline installation | |
| Connection position | Centred, rear side | |
| Ambient temperature [°C] | -20 ... +60 | |
| Temperature of medium [°C] | -20 ... +60 ¹⁾ | |
| Measurement accuracy class | 4.0 | 2.5 |
| Continuous load factor | 0.75 | |
| Intermittent load factor | 0.66 | |
| Protection class | IP43 | |
| | NEMA 4 | |
| Weight [g] | 15 | 50 |

1) With a media temperature below 0 °C, the operating medium should be dry.

| Materials | | |
|--|---------------------------|---|
| Housing | Polyamide (colour: black) | Acrylic butadiene styrene (colour: black) |
| Inspection window | Polystyrene | |
| Threaded plug/ materials in contact with the medium | Brass | |
| Note on materials | RoHS-compliant | |

Dimensions









Download CAD Data → www.festo.com/us/cad



Pressure gauges PAGN

Technical data

FESTO

| Ordering data | | | | | | |
|--|----------------------|--------------------|---------------|---------------|---------------|---|
| Nominal size | Pneumatic connection | Operating pressure | Display range | | Part No. | Type |
| | | | Outer scale | Inner scale | | |
| Outer scale in bar, inner scale in psi | | | | | | |
| 26 | For QSP10 | 0 ... 10 bar | 0 ... 10 bar | 0 ... 145 psi | 543488 | PAGN-26-10-P10 |
| | | 0 ... 16 bar | 0 ... 16 bar | 0 ... 232 psi | 543487 | PAGN-26-16-P10 |
| 40 | For QSP10 | 0 ... 10 bar | 0 ... 10 bar | 0 ... 145 psi | 548009 | PAGN-40-10-P10 |
| | | 0 ... 16 bar | 0 ... 16 bar | 0 ... 232 psi | 548010 | PAGN-40-16-P10 |
| Outer scale in psi, inner scale in bar | | | | | | |
| 26 | For QSP10 | 0 ... 145 psi | 0 ... 145 psi | 0 ... 10 bar | 563732 | PAGN-26-145P-P10  |
| | | 0 ... 232 psi | 0 ... 232 psi | 0 ... 16 bar | 563731 | PAGN-26-232P-P10  |
| 40 | For QSP10 | 0 ... 145 psi | 0 ... 145 psi | 0 ... 10 bar | 563734 | PAGN-40-145P-P10  |
| | | 0 ... 232 psi | 0 ... 232 psi | 0 ... 16 bar | 563733 | PAGN-40-232P-P10  |
| Outer scale in MPa | | | | | | |
| 26 | For QSP10 | 0 ... 1 MPa | 0 ... 1 MPa | – | 563736 | PAGN-26-1M-P10  |
| | | 0 ... 1.6 MPa | 0 ... 1.6 MPa | – | 563735 | PAGN-26-1.6M-P10  |
| 40 | For QSP10 | 0 ... 1 MPa | 0 ... 1 MPa | – | 563738 | PAGN-40-1M-P10  |
| | | 0 ... 1.6 MPa | 0 ... 1.6 MPa | – | 563737 | PAGN-40-1.6M-P10  |

Product Range and Company Overview

A Complete Suite of Automation Services

Our experienced engineers provide complete support at every stage of your development process, including: conceptualization, analysis, engineering, design, assembly, documentation, validation, and production.



Custom Automation Components
Complete custom engineered solutions



Custom Control Cabinets
Comprehensive engineering support and on-site services



Complete Systems
Shipment, stocking and storage services

The Broadest Range of Automation Components

With a comprehensive line of more than 30,000 automation components, Festo is capable of solving the most complex automation requirements.



Electromechanical
Electromechanical actuators, motors, controllers & drives



Pneumatics
Pneumatic linear and rotary actuators, valves, and air supply



PLCs and I/O Devices
PLC's, operator interfaces, sensors and I/O devices

Supporting Advanced Automation... As No One Else Can!

Festo is a leading global manufacturer of pneumatic and electromechanical systems, components and controls for industrial automation, with more than 12,000 employees in 56 national headquarters serving more than 180 countries. For more than 80 years, Festo has continuously elevated the state of manufacturing with innovations and optimized motion control solutions that deliver higher performing, more profitable automated manufacturing and processing equipment. Our dedication to the advancement of automation extends beyond technology to the education and development of current and future automation and robotics designers with simulation tools, teaching programs, and on-site services.

Quality Assurance, ISO 9001 and ISO 14001 Certifications

Festo Corporation is committed to supply all Festo products and services that will meet or exceed our customers' requirements in product quality, delivery, customer service and satisfaction.

To meet this commitment, we strive to ensure a consistent, integrated, and systematic approach to management that will meet or exceed the requirements of the ISO 9001 standard for Quality Management and the ISO 14001 standard for Environmental Management.



© Copyright 2008, Festo Corporation. While every effort is made to ensure that all dimensions and specifications are correct, Festo cannot guarantee that publications are completely free of any error, in particular typing or printing errors. Accordingly, Festo cannot be held responsible for the same. For Liability and Warranty conditions, refer to our "Terms and Conditions of Sale", available from your local Festo office. All rights reserved. No part of this publication may be reproduced, distributed, or transmitted in any form or by any means, electronic, mechanical, photocopying or otherwise, without the prior written permission of Festo. All technical data subject to change according to technical update.



Printed on recycled paper at New Horizon Graphic, Inc., FSC certified as an environmentally friendly printing plant.

Festo North America

Festo Regional Contact Center

5300 Explorer Drive
Mississauga, Ontario L4W 5G4
Canada

USA Customers:

For ordering assistance,

Call: 1.800.99.FESTO (1.800.993.3786)

Fax: 1.800.96.FESTO (1.800.963.3786)

Email: customer.service@us.festo.com

For technical support,

Call: 1.866.GO.FESTO (1.866.463.3786)

Fax: 1.800.96.FESTO (1.800.963.3786)

Email: product.support@us.festo.com

Canadian Customers:

Call: 1.877.GO.FESTO (1.877.463.3786)

Fax: 1.877.FX.FESTO (1.877.393.3786)

Email: festo.canada@ca.festo.com

USA Headquarters

Festo Corporation
395 Moreland Road
P.O. Box 18023
Hauppauge, NY 11788, USA
www.festo.com/us

USA Sales Offices

Appleton

North 922 Tower View Drive, Suite N
Greenville, WI 54942, USA

Boston

120 Presidential Way, Suite 330
Woburn, MA 01801, USA

Chicago

1441 East Business Center Drive
Mt. Prospect, IL 60056, USA

Dallas

1825 Lakeway Drive, Suite 600
Lewisville, TX 75057, USA

Detroit – Automotive Engineering Center

2601 Cambridge Court, Suite 320
Auburn Hills, MI 48326, USA

New York

395 Moreland Road
Hauppauge, NY 11788, USA

Silicon Valley

4935 Southfront Road, Suite F
Livermore, CA 94550, USA

United States



USA Headquarters, East: Festo Corp., 395 Moreland Road, Hauppauge, NY 11788

Phone: 1.631.435.0800; Fax: 1.631.435.8026;

Email: info@festo-usa.com

www.festo.com/us

Canada



Headquarters: Festo Inc., 5300 Explorer Drive, Mississauga, Ontario L4W 5G4

Phone: 1.905.624.9000; Fax: 1.905.624.9001;

Email: festo.canada@ca.festo.com

www.festo.ca

Mexico



Headquarters: Festo Pneumatic, S.A., Av. Ceylán 3, Col. Tequesquahuac,
54020 Tlalneantla, Edo. de México

Phone: 011 52 [55] 53 21 66 00; Fax: 011 52 [55] 53 21 66 65;

Email: festo.mexico@mx.festo.com

www.festo.com/mx

Central USA

Festo Corporation
1441 East Business
Center Drive
Mt. Prospect, IL 60056, USA
Phone: 1.847.759.2600
Fax: 1.847.768.9480



Western USA

Festo Corporation
4935 Southfront Road,
Suite F
Livermore, CA 94550, USA
Phone: 1.925.371.1099
Fax: 1.925.245.1286



Festo Worldwide

Argentina Australia Austria Belarus Belgium Brazil Bulgaria Canada Chile China Colombia Croatia Czech Republic Denmark
Estonia Finland France Germany Great Britain Greece Hong Kong Hungary India Indonesia Iran Ireland Israel Italy Japan Latvia
Lithuania Malaysia Mexico Netherlands New Zealand Norway Peru Philippines Poland Romania Russia Serbia Singapore
Slovakia Slovenia South Africa South Korea Spain Sweden Switzerland Taiwan Thailand Turkey Ukraine United States Venezuela

www.festo.com