



- Compact
- Functional
- Wide range of variants
- Flexible

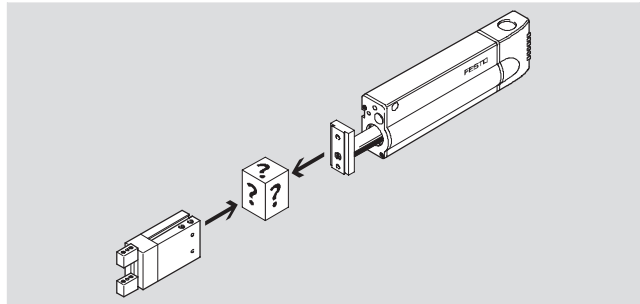
# Drive/gripper connections

Selection aid



Adapter kits provide a fast and simple connection between Festo grippers and drives.

The scope of delivery includes the necessary accessories such as screws, centring discs, sleeves or pins, and nuts.



Possible combinations						
	HMP, HME	HMPL	DGSL	SLT, SLTE	DGPL, DGE-KF	DGEA
<b>2-jaw parallel gripper</b>						
HGPT	→ 6	→ 18	→ 25	→ 31	–	–
HGPL	→ 7	→ 19	→ 26	→ 32	→ 37	→ 37
HGPP	→ 8	→ 20	→ 27	→ 33	→ 38	→ 38
HGPPI	→					
HGP	→ 12	→ 21	→ 28	→ 34	→ 41	→ 41
HGPC	→ 14	→ 22	→ 29	→ 35	–	–
HGPM	–	–	–	–	–	–
<b>3-jaw parallel gripper</b>						
HGDT	→ 15	→ 23	→ 30	→ 36	–	–
HGD	→ 10	→ 21	–	–	→ 39	→ 39

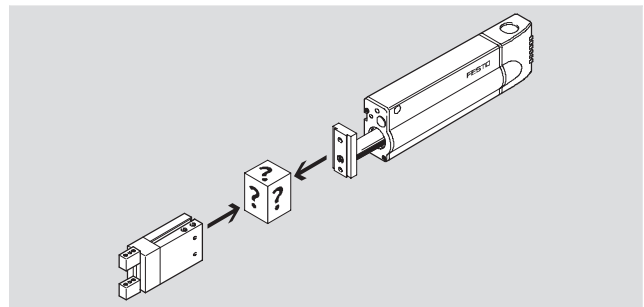
# Drive/gripper connections










Selection aid



Adapter kits provide a fast and simple connection between Festo grippers and drives.

The scope of delivery includes the necessary accessories such as screws, centring discs, sleeves or pins, and nuts.



Possible combinations						
	EGSA	DRQD	ERMB	DSL-...-KF	DSM	DPZ
2-jaw parallel gripper						
HGPT 	→ 45	→ 53	→ 53	-	-	-
HGPL 	→ 46	→ 55	→ 55	-	-	-
HGPP 	→ 47	→ 56	→ 56	→ 66	→ 66	-
HGPP1 		→	→	-	-	-
HGP 	→ 48	→ 58	→ 58	→ 67	→ 67	→ 69 → <a href="http://www.festo.com">www.festo.com</a>
HGPC 	→ 49	→ 63	→ 63	-	-	-
HGPM 	-	→ 64	-	-	-	-
3-jaw parallel gripper						
HGDT 	→ 50	→ 65	→ 65	-	-	-
HGD 	→ 51	→ 58	→ 58	→ 58	→ 58	-

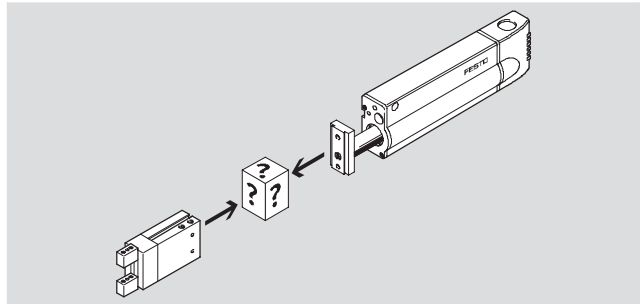
# Drive/gripper connections

Selection aid



Adapter kits provide a fast and simple connection between Festo grippers and drives.

The scope of delivery includes the necessary accessories such as screws, centring discs, sleeves or pins, and nuts.



Possible combinations						
	HMP, HME	HMPL	DGSL	SLT, SLTE	DGPL, DGE-KF	DGEA
<b>2-jaw angle gripper</b>						
HGW	→ 12	→ 21	→ 28	→ 34	→ 41	→ 41
HGR	→ 12	→ 21	→ 28	→ 34	→ 41	→ 41
HGWM	-	-	-	-	-	-
<b>Swivel/gripper unit</b>						
HGDS	→ 16	→ 24	-	-	→ 44	→ 44

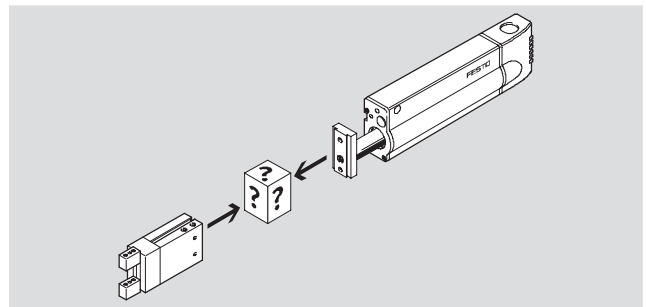
# Drive/gripper connections

Selection aid



Adapter kits provide a fast and simple connection between Festo grippers and drives.

The scope of delivery includes the necessary accessories such as screws, centring discs, sleeves or pins, and nuts.



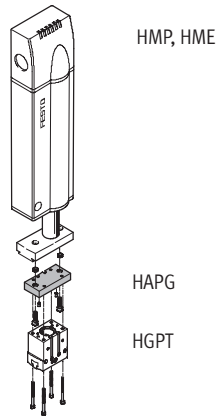
Possible combinations						
	EGSA	DRQD	ERMB	DSL-...-KF	DSM	DPZ
<b>2-jaw angle gripper</b>						
HGW	→ 48	→ 58	→ 58	→ 67	→ 67	→ 69 → <a href="http://www.festo.com">www.festo.com</a>
HGR	→ 48	→ 58	→ 58	→ 67	→ 67	→ 69 → <a href="http://www.festo.com">www.festo.com</a>
HGWM	-	→ 64	-	-	-	-
<b>Swivel/gripper unit</b>						
HGDS	→ 52	-	-	-	-	-

# HMP, HME/HGPT connections

Technical data

## Adapter kit HAPG

Material:  
Wrought aluminium alloy, anodised  
Centring pins/sleeves: High-alloy steel  
Free of copper, PTFE and silicone

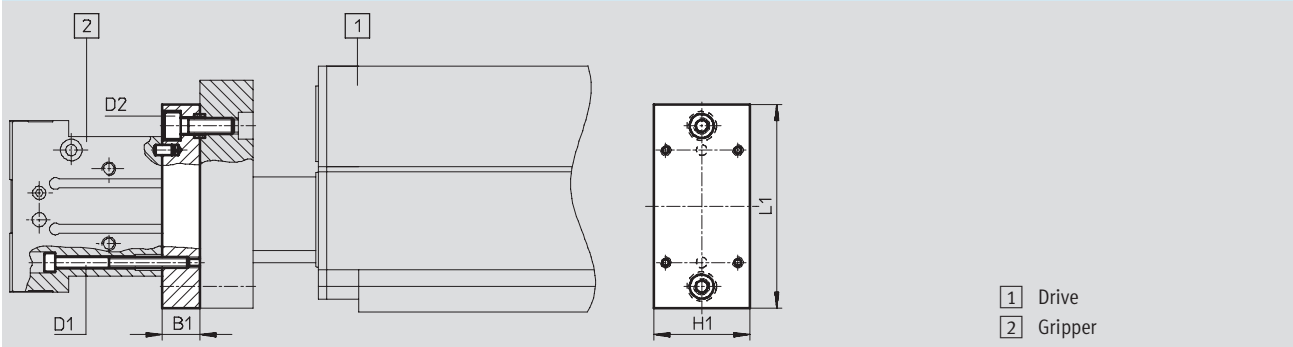


Direct mounting

## Dimensions and ordering data

Download CAD data → [www.festo.com](http://www.festo.com)

Direct mounting



Drive	Gripper	B1	D1	D2	H1	L1	CRC <sup>2)</sup>	Part No.	Type
HMP/HME-16 <sup>1)</sup>	HGPT-25	14	M4	M5	36	76	2	537 178	HAPG-81
HMP-20 HMP/HME-25 <sup>1)</sup>	HGPT-35	12	M4	M6	54	100		537 172	HAPG-77
HMP-20 HMP/HME-25 <sup>1)</sup>	HGPT-40	12	M6	M6	80	88.5		537 182	HAPG-84
HMP/HME-25 <sup>1)</sup> HMP-32	HGPT-50	15	M6	M6	60	110		537 185	HAPG-86
HMP-32	HGPT-63	15	M4	M6	72	131.5		537 187	HAPG-87

1) HME: horizontal mounting position, vertical on request

2) Corrosion resistance class 2 as per Festo standard 940 070

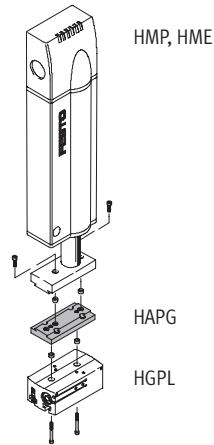
Components subject to moderate corrosion stress. Externally visible parts with primarily decorative surface requirements which are in direct contact with a normal industrial environment or media such as coolants or lubricating agents.

# HMP, HME/HGPL connections

Technical data

## Adapter kit HAPG

Material:  
Wrought aluminium alloy, anodised  
Centring sleeves: High-alloy steel  
Free of copper, PTFE and silicone

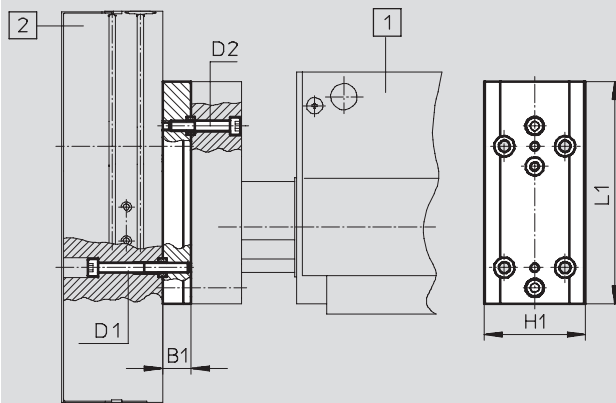


Direct mounting

## Dimensions and ordering data

Download CAD data → [www.festo.com](http://www.festo.com)

Direct mounting



1 Drive  
2 Gripper

Drive	Gripper	B1	D1	D2	H1	L1	CRC <sup>2)</sup>	Part No.	Type
HMP/HME-16 <sup>1)</sup> HMP-20	HGPL-14	-	-	-	-	-	2	-	2x M5x25 DIN 912 2x ZBH-9
HMP-20 HMP/HME-25 <sup>1)</sup>	HGPL-25	14	M5	M5	50	110		539 887	HAPG-92
HMP/HME-25 <sup>1)</sup> HMP-32	HGPL-40	20	M8	M5	60	120		537 312	HAPG-SD2-30

1) HME: horizontal mounting position, vertical on request

2) Corrosion resistance class 2 as per Festo standard 940 070

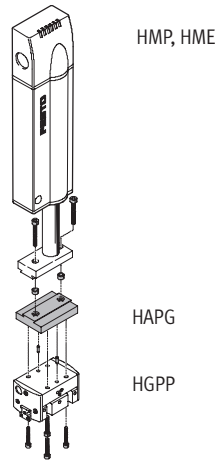
Components subject to moderate corrosion stress. Externally visible parts with primarily decorative surface requirements which are in direct contact with a normal industrial environment or media such as coolants or lubricating agents.

# HMP, HME/HGPP connections

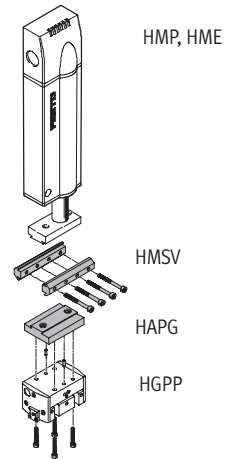
Technical data

## Adapter kit HAPG, HMSV

Material:  
Wrought aluminium alloy, anodised  
Centring pins/sleeves: High-alloy steel  
Free of copper, PTFE and silicone



Direct mounting

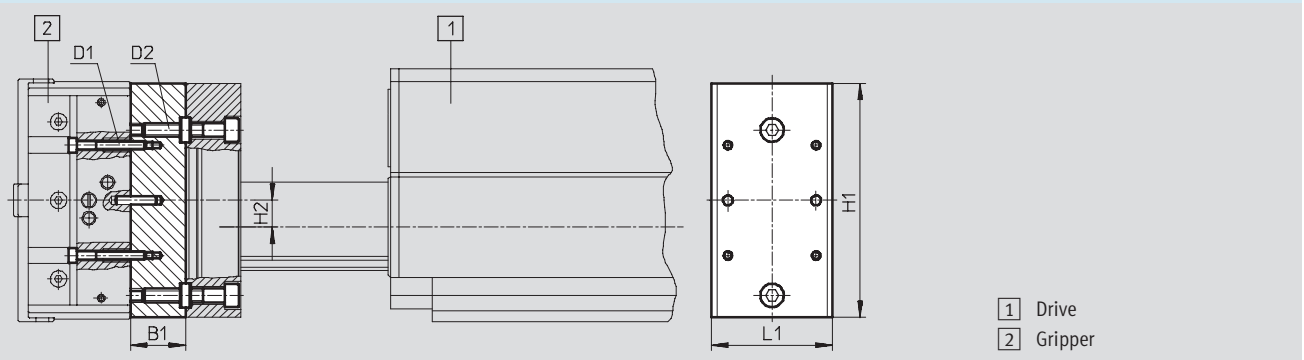


Dovetail mounting

## Dimensions and ordering data

Download CAD data → [www.festo.com](http://www.festo.com)

### Direct mounting



Drive	Gripper	B1	D1	D2	H1	H2	L1	CRC <sup>2)</sup>	Part No.	Type
HMP/HME-16 <sup>1)</sup>	HGPP-12	20	M3	M5	85	9.5	44	2	191 262	HAPG-44
HMP/HME-16 <sup>1)</sup>	HGPP-16	20	M3	M5	85	9.5	44		191 263	HAPG-45
HMP-20	HGPP-16	20	M3	M5	100.4	4.7	51		191 264	HAPG-46
HMP/HME-25 <sup>1)</sup>	HGPP-20	12	M4	M5	110	7	50		191 265	HAPG-47
HMP/HME-25 <sup>1)</sup>	HGPP-25	18	M5	M5	110	-	60		529 019	HAPG-59
HMP-32	HGPP-32	18	M5	M5	133	-	60		529 020	HAPG-61

1) HME: Horizontal mounting position, vertical on request

2) Corrosion resistance class 2 as per Festo standard 940 070

Components subject to moderate corrosion stress. Externally visible parts with primarily decorative surface requirements which are in direct contact with a normal industrial environment or media such as coolants or lubricating agents.



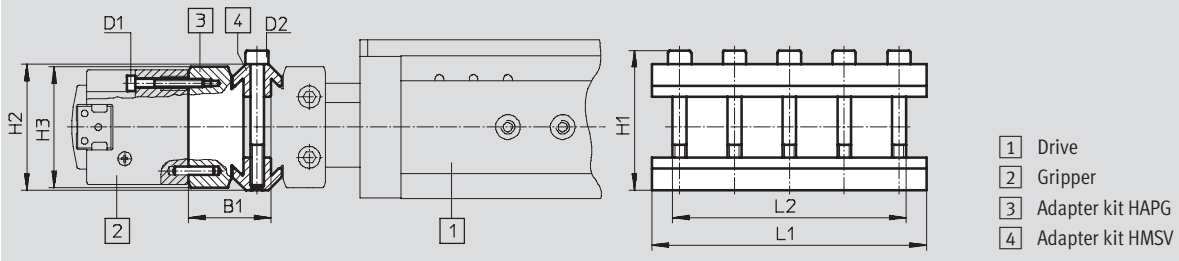
# HMP, HME/HGPP connections

Technical data

## Dimensions and ordering data

Download CAD data → [www.festo.com](http://www.festo.com)

### Dovetail mounting



Drive	Gripper	B1	D1	D2	H1	H2	H3	L1	L2	CRC <sup>2)</sup>	Part No.	Type
HMP/HME-16 <sup>1)</sup>	HGPP-12	30	M3	M5	51	46	44	100	85	2	191 262	HAPG-44
											177 649	HMSV-3
HMP/HME-16 <sup>1)</sup>	HGPP-16	30	M3	M5	51	46	44	100	85		191 263	HAPG-45
											177 649	HMSV-3
HMP-20 HMP/HME-25 <sup>1)</sup>	HGPP-16	30	M3	M5	51	46	51	120	100.4		191 264	HAPG-46
											177 653	HMSV-7
HMP/HME-25 <sup>1)</sup>	HGPP-20	22	M4	M5	51	46	50	120	110	191 265	HAPG-47	
										177 653	HMSV-7	
HMP/HME-25 <sup>1)</sup>	HGPP-25	28	M5	M5	51	46	60	120	110	529 019	HAPG-59	
										177 653	HMSV-7	
HMP-32	HGPP-32	28	M5	M5	51	46	60	120	133	529 020	HAPG-61	
										177 653	HMSV-7	

1) HME: Horizontal mounting position, vertical on request

2) Corrosion resistance class 2 as per Festo standard 940 070

Components subject to moderate corrosion stress. Externally visible parts with primarily decorative surface requirements which are in direct contact with a normal industrial environment or media such as coolants or lubricating agents.

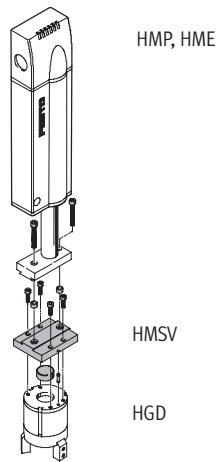
# HMP, HME/HGD connections

Technical data

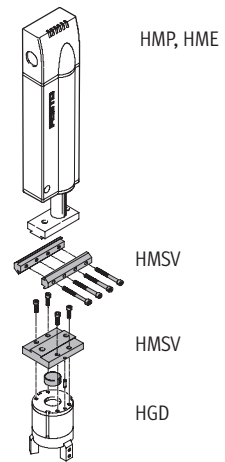


## Adapter kit HMSV

Material:  
Wrought aluminium alloy, anodised  
Centring pins/sleeves: High-alloy steel  
Free of copper, PTFE and silicone



Direct mounting

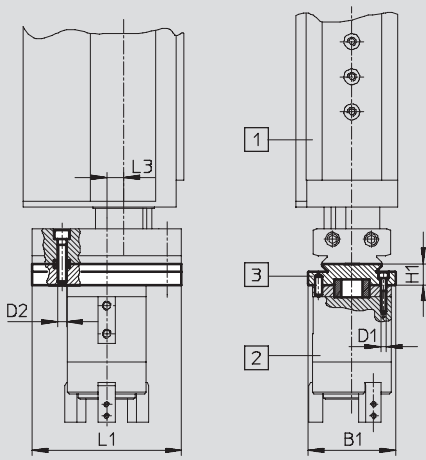


Dovetail mounting

## Dimensions and ordering data

Download CAD data → [www.festo.com](http://www.festo.com)

### Direct mounting



- 1 Drive
- 2 Gripper
- 3 Adapter plate HMSV

Drive	Gripper	B1	D1	D2	L1	H1	L3	CRC <sup>2)</sup>	Part No.	Type
HMP/HME-16 <sup>1)</sup>	HGD-32	50	M3	M5	85	12	9.5	2	177 765	HMSV-25
HMP-20							4.5			
HMP/HME-25 <sup>1)</sup>	HGD-50	70	M5	M5	110	14	10			
HMP-32							-		177 766	HMSV-26

1) HME: Horizontal mounting position, vertical on request

2) Corrosion resistance class 2 as per Festo standard 940 070

Components subject to moderate corrosion stress. Externally visible parts with primarily decorative surface requirements which are in direct contact with a normal industrial environment or media such as coolants or lubricating agents.

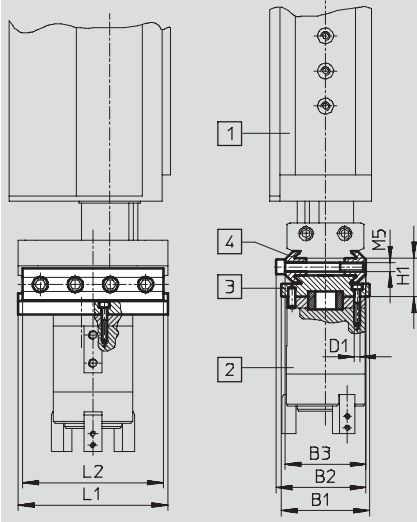
# HMP, HME/HGD connections

Technical data

## Dimensions and ordering data

Download CAD data → [www.festo.com](http://www.festo.com)

### Dovetail mounting



- 1 Drive
- 2 Gripper
- Adapter kit,  
comprising:
- 3 Adapter plate HMSV
- 4 Dovetail clamp HMSV

Drive	Gripper	B1	B2	B3	D1	L1	L2	H1	CRC <sup>2)</sup>	Part No.	Type
HMP/HME-16 <sup>1)</sup> HMP-20 HMP/HME-25	HGD-32	50	51	46	M3	85	80	22	2	178 212	HMSV-32
HMP/HME-25 <sup>1)</sup> HMP-32	HGD-50	70	51	46	M5	110	100	24		178 213	HMSV-33

1) HME: Horizontal mounting position, vertical on request

2) Corrosion resistance class 2 as per Festo standard 940 070

Components subject to moderate corrosion stress. Externally visible parts with primarily decorative surface requirements which are in direct contact with a normal industrial environment or media such as coolants or lubricating agents.

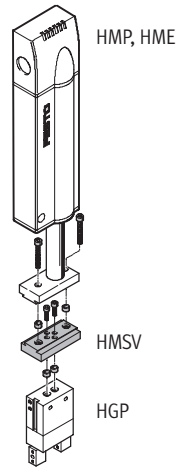
# HMP, HME/HGP, HGR, HGW connections

Technical data

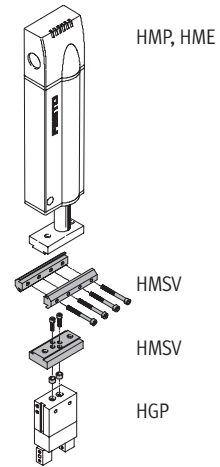
FESTO

## Adapter kit HMSV

Material:  
Wrought aluminium alloy, anodised  
Centring sleeves: High-alloy steel  
Free of copper, PTFE and silicone



Direct mounting

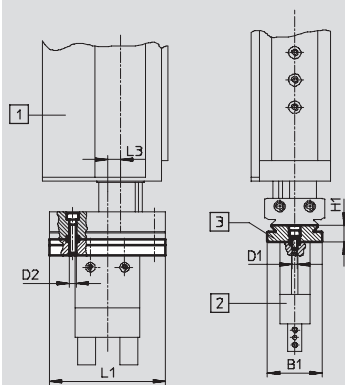


Dovetail mounting

## Dimensions and ordering data

Download CAD data → [www.festo.com](http://www.festo.com)

### Direct mounting



- 1 Drive
- 2 Gripper
- 3 Adapter plate HMSV

Drive	Gripper	B1	D1	D2	L1	H1	L3	CRC <sup>2)</sup>	Part No.	Type
HMP/HME-16 <sup>1)</sup> HMP-20	HGP-10 HGR-16 HGW-16	40	M3	M5	85	12	9.5	2	177 666	HMSV-20
HMP/HME-16 <sup>1)</sup> HMP-20 HMP/HME-25 <sup>1)</sup>	HGP-16 HGP-20 HGR-25 HGW-25	40	M4	M5	85	12	9.5		177 761	HMSV-21
HMP/HME-16 <sup>1)</sup> HMP-20 HMP/HME-25 <sup>1)</sup> HMP-32	HGP-25 HGR-32 HGW-32	50	M6	M5	100	14	9.5		177 762	HMSV-22
HMP/HME-25 <sup>1)</sup>	HGP-35 HGR-40 HGW-40	60	M8	M5	110	18	17		177 763	HMSV-23
HMP-32	HGP-35 HGR-40 HGW-40	60	M8	M5	133	18	10.5		177 764	HMSV-24

1) HME: Horizontal mounting position, vertical on request

2) Corrosion resistance class 2 as per Festo standard 940 070

Components subject to moderate corrosion stress. Externally visible parts with primarily decorative surface requirements which are in direct contact with a normal industrial environment or media such as coolants or lubricating agents.

# HMP, HME/HGP, HGR, HGW connections

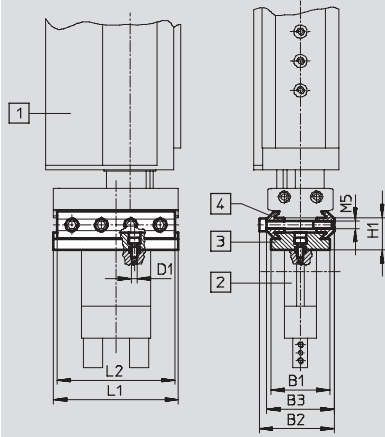
Technical data

FESTO

## Dimensions and ordering data

Download CAD data → [www.festo.com](http://www.festo.com)

### Dovetail mounting



- 1 Drive
- 2 Gripper
- Adapter kit, comprising:
- 3 Adapter plate HMSV
- 4 Dovetail clamp HMSV

Drive	Gripper	B1	B2	B3	D1	L1	L2	H1	CRC <sup>1)</sup>	Part No.	Type
HMP-16 HMP-20	HGP-10 HGR-16 HGW-16	40	51	46	M3	85	80	22	2	177 767	HMSV-27
HMP-16 HMP-20 HMP-25	HGP-16 HGR-25 HGW-25	40	51	46	M4	85	80	24		177 768	HMSV-28
HMP-16 HMP-20 HMP-25 HMP-32	HGP-25 HGR-32 HGW-32	50	51	46	M6	100	100	24		177 769	HMSV-29
HMP-25	HGP-35 HGR-40 HGW-40	60	51	46	M8	110	100	28		177 770	HMSV-30
HMP-32	HGP-35 HGR-40 HGW-40	60	51	46	M8	133	100	28		178 211	HMSV-31

1) Corrosion resistance class 2 as per Festo standard 940 070

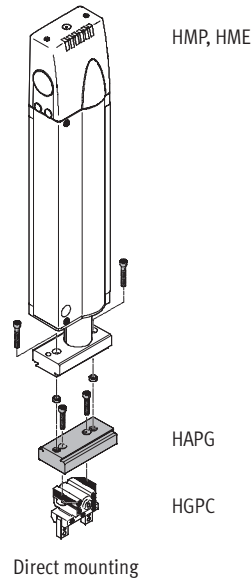
Components subject to moderate corrosion stress. Externally visible parts with primarily decorative surface requirements which are in direct contact with a normal industrial environment or media such as coolants or lubricating agents.

# HMP, HME/HGPC connections

Technical data

## Adapter kit HAPG

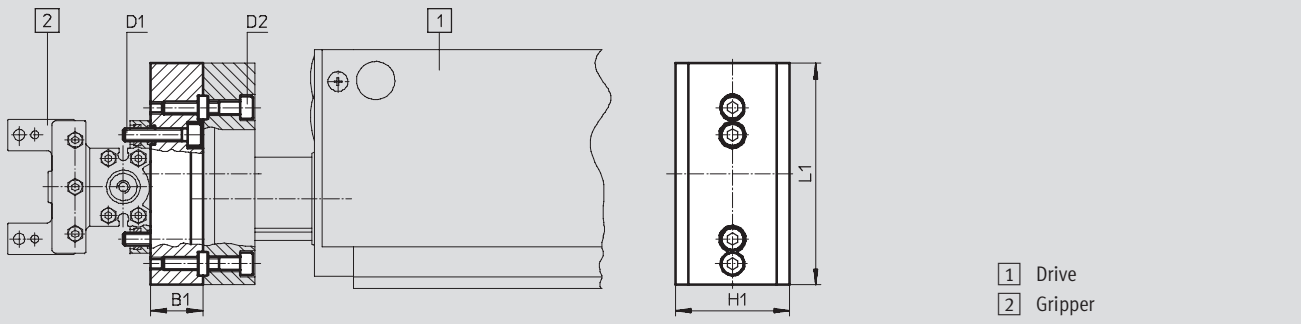
Material:  
Wrought aluminium alloy, anodised  
Centring sleeves: High-alloy steel  
Free of copper, PTFE and silicone



## Dimensions and ordering data

Download CAD data → [www.festo.com](http://www.festo.com)

Direct mounting



Drive	Gripper	B1	D1	D2	H1	L1	CRC <sup>2)</sup>	Part No.	Type
HMP/HME-16 <sup>1)</sup>	HGPC-16	20	M5	M5	44	85	2	191 263	HAPG-45
HMP-20	HGPC-20	20	M6	M5	51	100.4		191 264	HAPG-46
HMP/HME-25 <sup>1)</sup>									

1) HME: Horizontal mounting position, vertical on request

2) Corrosion resistance class 2 as per Festo standard 940 070

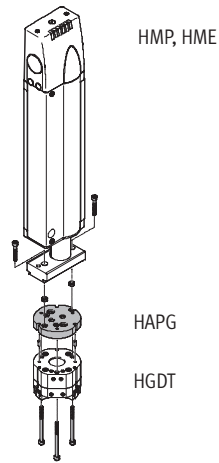
Components subject to moderate corrosion stress. Externally visible parts with primarily decorative surface requirements which are in direct contact with a normal industrial environment or media such as coolants or lubricating agents.

# HMP, HME/HGDT connections

Technical data

## Adapter kit HAPG

Material:  
Wrought aluminium alloy, anodised  
Centring pins/sleeves: High-alloy steel  
Free of copper, PTFE and silicone

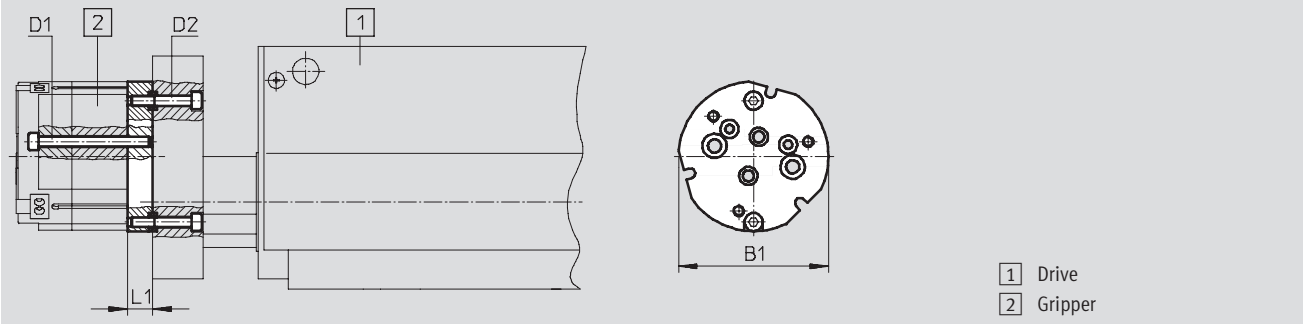


Direct mounting

## Dimensions and ordering data

Download CAD data → [www.festo.com](http://www.festo.com)

Direct mounting



Drive	Gripper	B1	D1	D2	L1	CRC <sup>(2)</sup>	Part No.	Type
HMP/HME-16 <sup>1)</sup>	HGDT-35	50	M3	M5	11.5	2	542 434	HAPG-98
HMP/HME-16 HMP-20 HMP/HME-25	HGDT-40	74	M5	M5	12.5		542 437	HAPG-95
HMP-20 HMP/HME-25 HMP-32	HGDT-50	92	M6	M5	11.5		542 443	HAPG-SD2-36
HMP/HME-25 HMP-32	HGDT-63	114	M6	M5	11.5		542 438	HAPG-96

1) HME: Horizontal mounting position, vertical on request

2) Corrosion resistance class 2 as per Festo standard 940 070

Components subject to moderate corrosion stress. Externally visible parts with primarily decorative surface requirements which are in direct contact with a normal industrial environment or media such as coolants or lubricating agents.

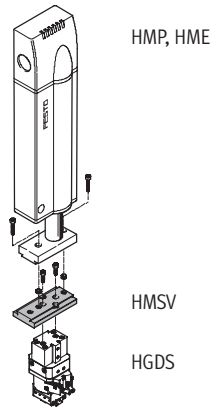
# HMP, HME/HGDS connections

Technical data

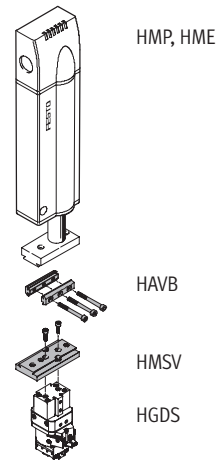


## Adapter kit HMSV, connecting kit HAVB

Material:  
Wrought aluminium alloy, anodised  
Centring sleeves: High-alloy steel  
Free of copper, PTFE and silicone



Direct mounting

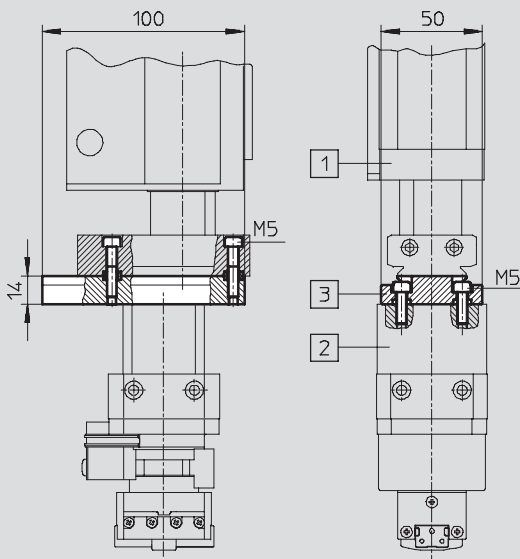


Dovetail mounting

## Dimensions and ordering data

Download CAD data → [www.festo.com](http://www.festo.com)

### Direct mounting



- 1 Drive
- 2 Swivel/gripper unit
- 3 Adapter kit HMSV

Drive	Gripper	CRC <sup>2)</sup>	Part No.	Type
HMP/HME-16 <sup>1)</sup> HMP-20 HMP/HME-25 <sup>1)</sup> HMP-32	HGDS-16 HGDS-20	2	534 290	HMSV-38

1) HME: Horizontal mounting position, vertical on request

2) Corrosion resistance class 2 as per Festo standard 940 070

Components subject to moderate corrosion stress. Externally visible parts with primarily decorative surface requirements which are in direct contact with a normal industrial environment or media such as coolants or lubricating agents.



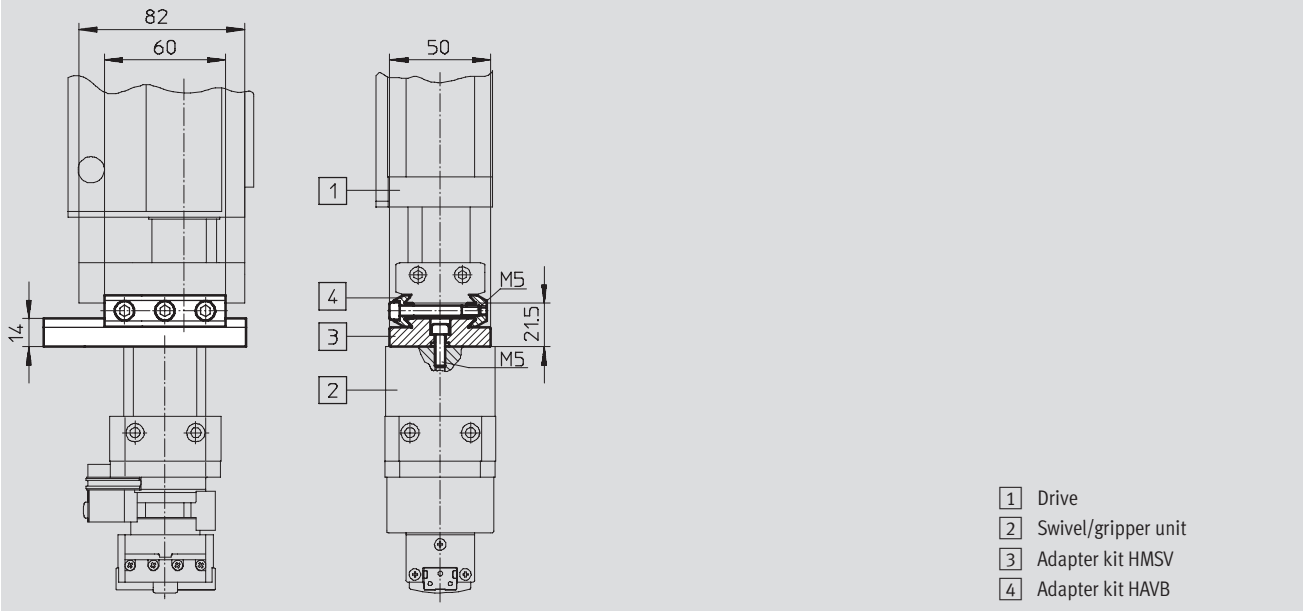
# HMP, HME/HGDS connections

Technical data

## Dimensions and ordering data

Download CAD data → [www.festo.com](http://www.festo.com)

### Dovetail mounting



Drive	Gripper	CRC <sup>2)</sup>	Part No.	Type
HMP/HME-16 <sup>1)</sup>	HGDS-16		<b>534 290</b>	<b>HMSV-38</b>
HMP-20	HGDS-20	2	<b>163 239</b>	<b>HAVB-3</b>
HMP/HME-25 <sup>1)</sup>				
HMP-32				

1) HME: Horizontal mounting position, vertical on request

2) Corrosion resistance class 2 as per Festo standard 940 070

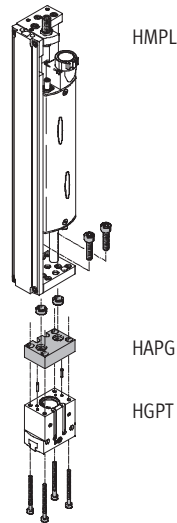
Components subject to moderate corrosion stress. Externally visible parts with primarily decorative surface requirements which are in direct contact with a normal industrial environment or media such as coolants or lubricating agents.

# HMPL/HGPT connections

Technical data

## Adapter kit HAPG

Material:  
Wrought aluminium alloy, anodised  
Centring pins/sleeves: High-alloy steel  
Free of copper, PTFE and silicone

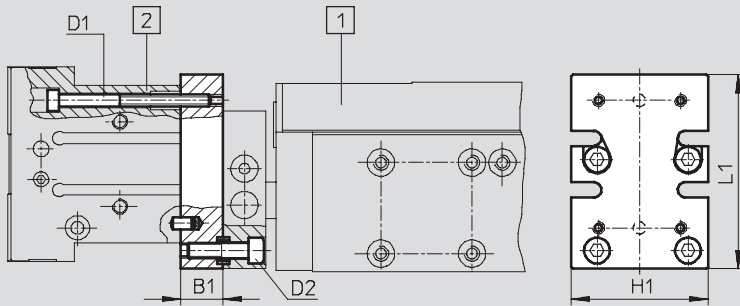


Direct mounting

## Dimensions and ordering data

Download CAD data → [www.festo.com](http://www.festo.com)

Direct mounting



1 Drive  
2 Gripper

Drive	Gripper	B1	D1	D2	H1	L1	CRC <sup>1)</sup>	Part No.	Type
HMPL-12 HMPL-16	HGPT-16	12	M2	M5	24	35.8	2	537 167	HAPG-73
HMPL-12 HMPL-16	HGPT-20	12	M3	M5	28	44		537 176	HAPG-80
HMPL-16	HGPT-25	14	M4	M5	45	64		537 179	HAPG-82
HMPL-20	HGPT-25 HGPT-35	12	M4	M5	28	44		537 174	HAPG-78

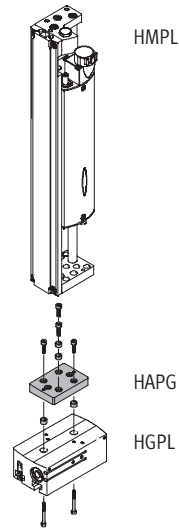
1) Corrosion resistance class 2 as per Festo standard 940 070  
Components subject to moderate corrosion stress. Externally visible parts with primarily decorative surface requirements which are in direct contact with a normal industrial environment or media such as coolants or lubricating agents.

# HMPL/HGPL connections

Technical data

## Adapter kit HAPG

Material:  
Wrought aluminium alloy, anodised  
Centring sleeves: High-alloy steel  
Free of copper, PTFE and silicone

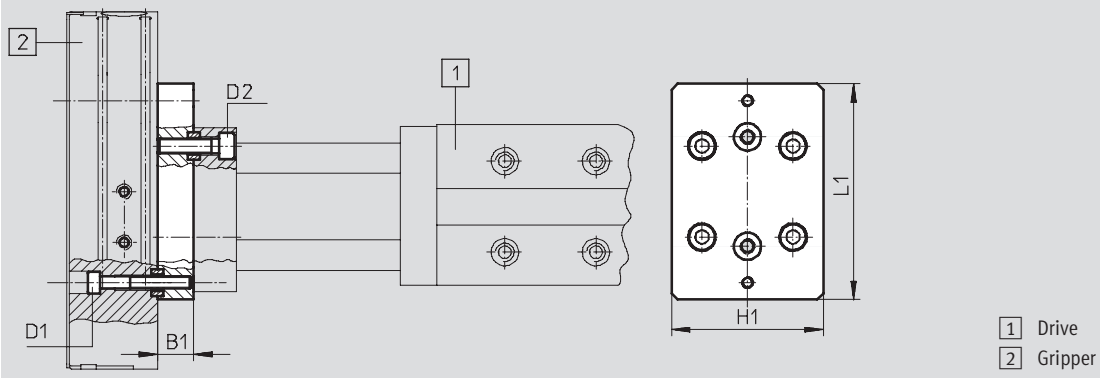


Direct mounting

## Dimensions and ordering data

Download CAD data → [www.festo.com](http://www.festo.com)

Direct mounting



Drive	Gripper	B1	D1	D2	H1	L1	CRC <sup>1)</sup>	Part No.	Type
HMPL-16 HMPL-20	HGPL-14	12	M4x30	M5x20	50	71	2	539 912	HAPG-93

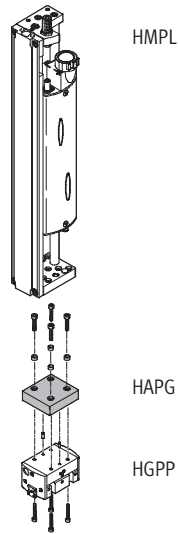
1) Corrosion resistance class 2 as per Festo standard 940 070  
Components subject to moderate corrosion stress. Externally visible parts with primarily decorative surface requirements which are in direct contact with a normal industrial environment or media such as coolants or lubricating agents.

# HMPL/HGPP connections

Technical data

## Adapter kit HAPG

Material:  
Wrought aluminium alloy, anodised  
Centring pins/sleeves: High-alloy steel  
Free of copper, PTFE and silicone

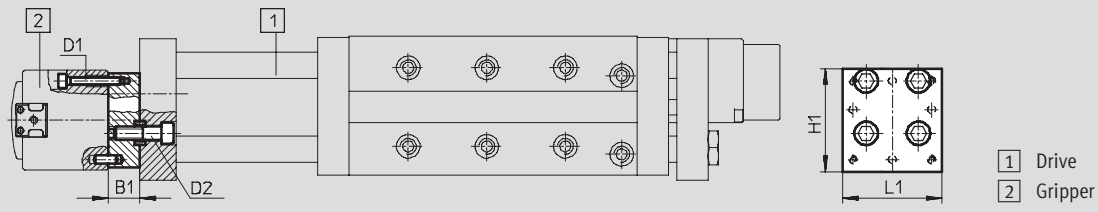


Direct mounting

## Dimensions and ordering data

Download CAD data → [www.festo.com](http://www.festo.com)

### Direct mounting



Drive	Gripper	B1	D1	D2	H1	L1	CRC <sup>1)</sup>	Part No.	Type
HMPL-12 HMPL-16	HGPP-12	12	M3	M5	38	39.5	2	191 899	HAPG-53
HMPL-12 HMPL-16	HGPP-10	12	M3	M5	42	38		529 016	HAPG-56
HMPL-16	HGPP-16	12	M3	M5	62	40		191 901	HAPG-55
HMPL-20	HGPP-12	12	M3	M5	52	44		191 900	HAPG-54
HMPL-20	HGPP-16	12	M3	M5	62	40		191 901	HAPG-55

1) Corrosion resistance class 2 as per Festo standard 940 070

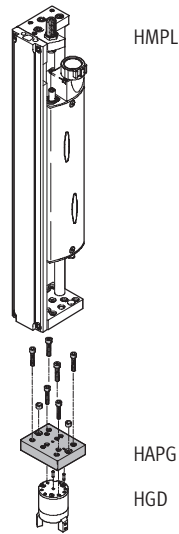
Components subject to moderate corrosion stress. Externally visible parts with primarily decorative surface requirements which are in direct contact with a normal industrial environment or media such as coolants or lubricating agents.

# HMPL/HGP, HGD, HGW, HGR connections

Technical data

## Adapter kit HAPG

Material:  
Wrought aluminium alloy, anodised  
Centring pins/sleeves: High-alloy steel  
Free of copper, PTFE and silicone

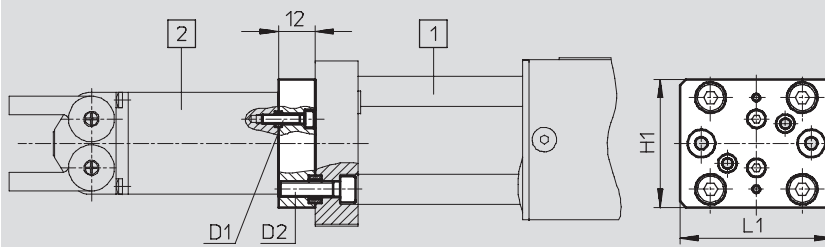


Direct mounting

## Dimensions and ordering data

Download CAD data → [www.festo.com](http://www.festo.com)

Direct mounting



- 1 Drive
- 2 Gripper

Drive	Gripper	D1	D2	H1	L1	CRC <sup>1)</sup>	Part No.	Type
HMPL-12	HGP-10 HGR-16 HGW-16	M3	M5	30	30	2	192 708	HAPG-39-S1
HMPL-12	HGP-06 HGR-10 HGW-10	M3	M5	30	30		192 709	HAPG-60-S1
HMPL-16 HMPL-20	HGP-10 HGR-16 HGW-16	M3	M5	42	50		192 705	HAPG-36-S1
HMPL-16 HMPL-20	HGD-16	M3	M5	42	50		193 921	HAPG-36-S3
HMPL-16 HMPL-20	HGP-06 HGR-10 HGW-10	M3	M5	42	50		192 706	HAPG-37-S1
HMPL-16 HMPL-20	HGP-16 HGP-20 HGR-25 HGW-25	M4	M5	42	50		193 922	HAPG-37-S4

1) Corrosion resistance class 2 as per Festo standard 940 070

Components subject to moderate corrosion stress. Externally visible parts with primarily decorative surface requirements which are in direct contact with a normal industrial environment or media such as coolants or lubricating agents.

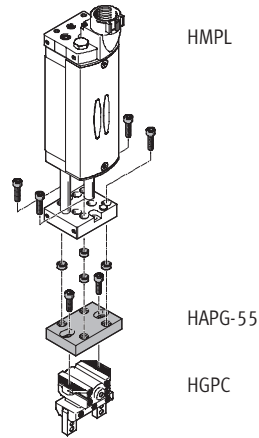
# HMPL/HGPC connections

Technical data

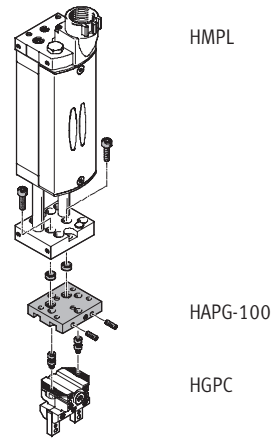


## Adapter kit HAPG

Material:  
Wrought aluminium alloy, anodised  
Centring sleeves: High-alloy steel  
Free of copper, PTFE and silicone



Direct mounting

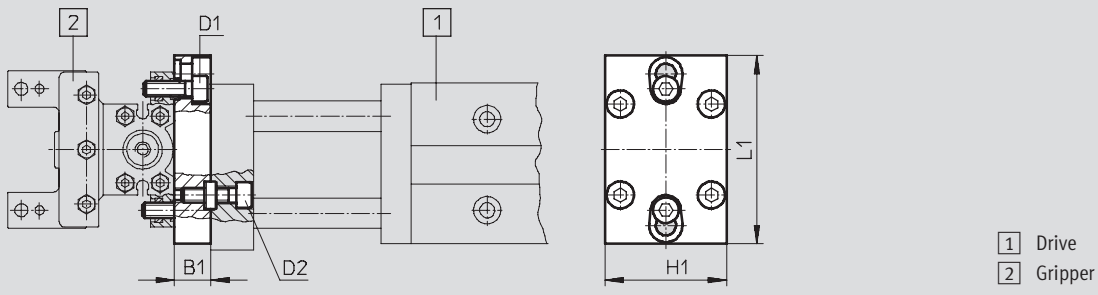


Direct mounting

## Dimensions and ordering data

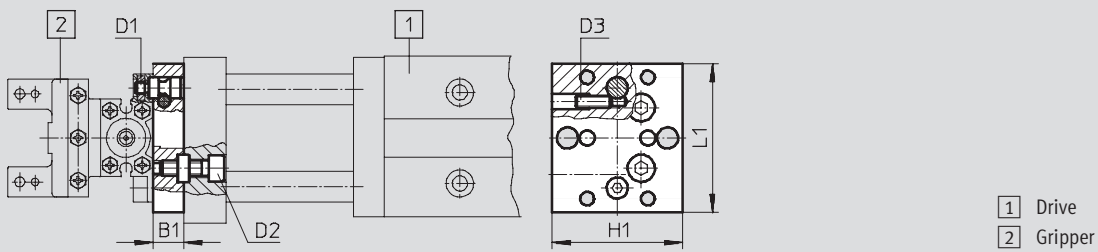
Download CAD data → [www.festo.com](http://www.festo.com)

### Direct mounting with HAPG-55



Drive	Gripper	B1	D1	D2	H1	L1	CRC <sup>1)</sup>	Part No.	Type
HMPL-16	HGPC-16	12	M5	M5	40	62	2	191 901	HAPG-55
HMPL-20									
HMPL-20	HGPC-20	12	M6	M5	40	62			

### Direct mounting with HAPG-100



Drive	Gripper	B1	D1	D2	D3	H1	L1	CRC <sup>1)</sup>	Part No.	Type
HMPL-12	HGPC-12	10	M4	M5	M4	43	49	2	542 670	HAPG-100
HMPL-16										

1) Corrosion resistance class 2 as per Festo standard 940 070

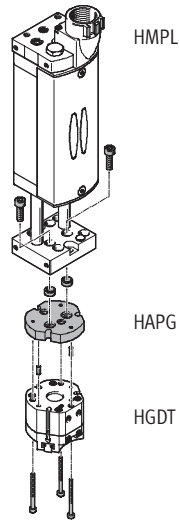
Components subject to moderate corrosion stress. Externally visible parts with primarily decorative surface requirements which are in direct contact with a normal industrial environment or media such as coolants or lubricating agents.

# HMPL/HGDT connections

Technical data

## Adapter kit HAPG

Material:  
Wrought aluminium alloy, anodised  
Centring pins/sleeves: High-alloy steel  
Free of copper, PTFE and silicone

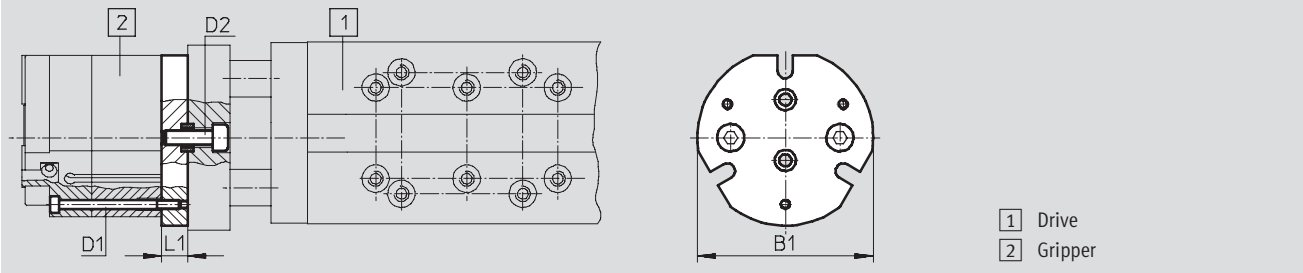


Direct mounting

## Dimensions and ordering data

Download CAD data → [www.festo.com](http://www.festo.com)

Direct mounting



Drive	Gripper	B1	D1	D2	L1	CRC <sup>1)</sup>	Part No.	Type
HMPL-12 HMPL-16	HGDT-25	49	M3	M5	8.5	2	542 433	HAPG-97
HMPL-20	HGDT-35	58	M3	M5	8.5		542 435	HAPG-99
HMPL-20	HGDT-40	74	M5	M5	12.5		542 437	HAPG-95

1) Corrosion resistance class 2 as per Festo standard 940 070  
Components subject to moderate corrosion stress. Externally visible parts with primarily decorative surface requirements which are in direct contact with a normal industrial environment or media such as coolants or lubricating agents.

# HMPL/HGDS connections

Technical data

## Adapter kit

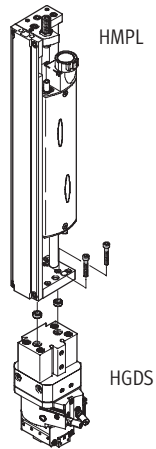
(user configured)

Material:

to DIN 912

Centring sleeves: High-alloy steel

Free of copper, PTFE and silicone

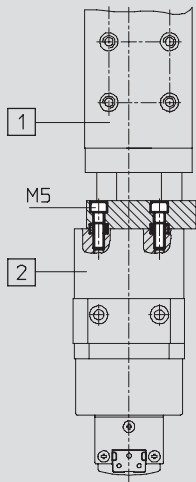


Direct mounting

## Dimensions and ordering data

Download CAD data → [www.festo.com](http://www.festo.com)

### Direct mounting



- 1 Drive
- 2 Swivel/gripper unit

Drive	Gripper	Part No.	Type
HMPL-12 HMPL-16	HGDS-12	–	2x M5x18 DIN 912 2x ZBH-9
HMPL-16 HMPL-20	HGDS-16 HGDS-20	–	2x M5x18 DIN 912 2x ZBH-9

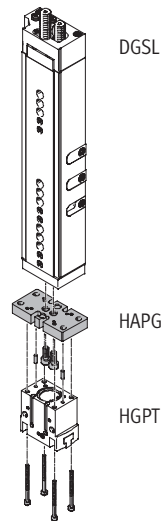


# DGSL/HGPT connections

Technical data

## Adapter kit HAPG

Material:  
Wrought aluminium alloy, anodised  
Centring pins/sleeves: High-alloy steel  
Free of copper, PTFE and silicone

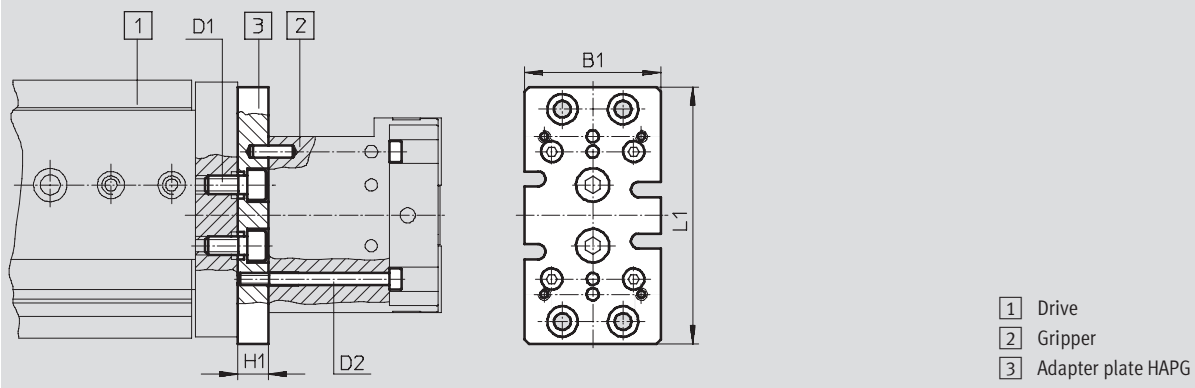


Direct mounting

## Dimensions and ordering data

Download CAD data → [www.festo.com](http://www.festo.com)

Direct mounting



- 1 Drive
- 2 Gripper
- 3 Adapter plate HAPG

Drive	Gripper	B1	D1	D2	H1	L1	CRC <sup>1)</sup>	Part No.	Type				
DGSL-8/10	HGPT-16	27	M4	M2.5	8	49.6	2	537 169	HAPG-75				
	HGPT-20			M3									
DGSL-12/16	HGPT-16	33	M5	M2.5	10	65.6			2	537 170	HAPG-76		
	HGPT-20			M3									
DGSL-12/16	HGPT-25	38	M5	M4	10	65.6					2	537 180	HAPG-83
DGSL-20/25	HGPT-25/35	45	M6	M4	10	84.6							537 175
DGSL-20/25	HGPT-40	57	M6	M5	12	103.6	537 183	HAPG-85					

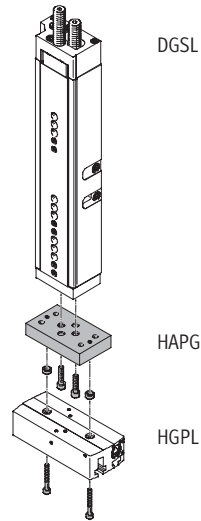
1) Corrosion resistance class 2 as per Festo standard 940 070  
Components subject to moderate corrosion stress. Externally visible parts with primarily decorative surface requirements which are in direct contact with a normal industrial environment or media such as coolants or lubricating agents.

# DGSL/HGPL connections

Technical data

## Adapter kit HAPG

Material:  
Wrought aluminium alloy, anodised  
Centring pins/sleeves: High-alloy steel  
Free of copper, PTFE and silicone

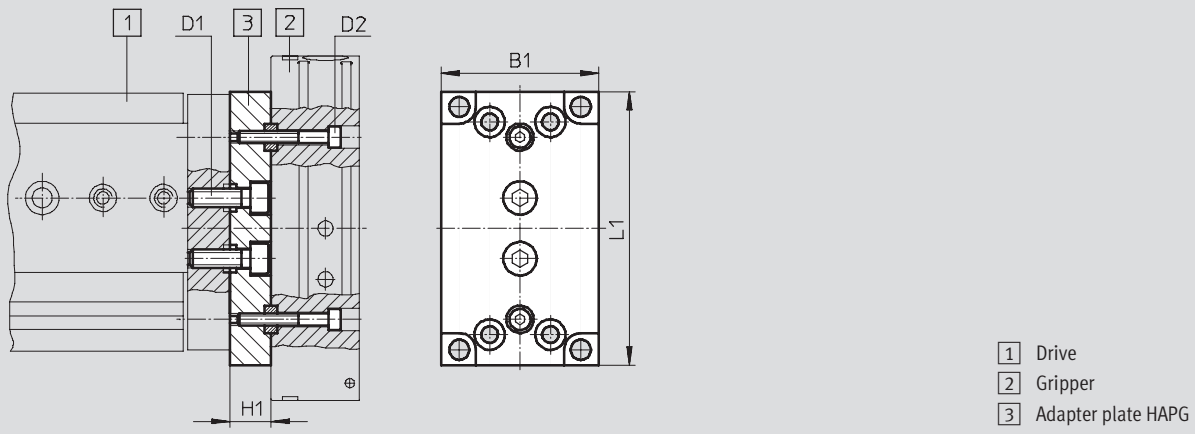


Direct mounting

## Dimensions and ordering data

Download CAD data → [www.festo.com](http://www.festo.com)

Direct mounting



- 1 Drive
- 2 Gripper
- 3 Adapter plate HAPG

Drive	Gripper	B1	D1	D2	H1	L1	CRC <sup>1)</sup>	Part No.	Type
DGSL-16	HGPL-14	44	M5	M4	14	75	2	538 055	HAPG-89
DGSL-20/25	HGPL-14	52	M6		13.5	90		539 274	HAPG-90
DGSL-25	HGPL-25								

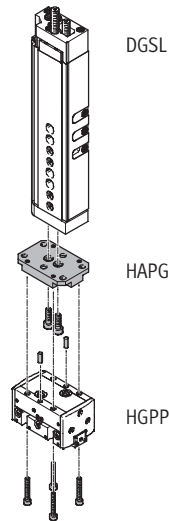
1) Corrosion resistance class 2 as per Festo standard 940 070  
Components subject to moderate corrosion stress. Externally visible parts with primarily decorative surface requirements which are in direct contact with a normal industrial environment or media such as coolants or lubricating agents.

# DGSL/HGPP connections

Technical data

## Adapter kit HAPG

Material:  
Wrought aluminium alloy, anodised  
Centring pins/sleeves: High-alloy steel  
Free of copper, PTFE and silicone

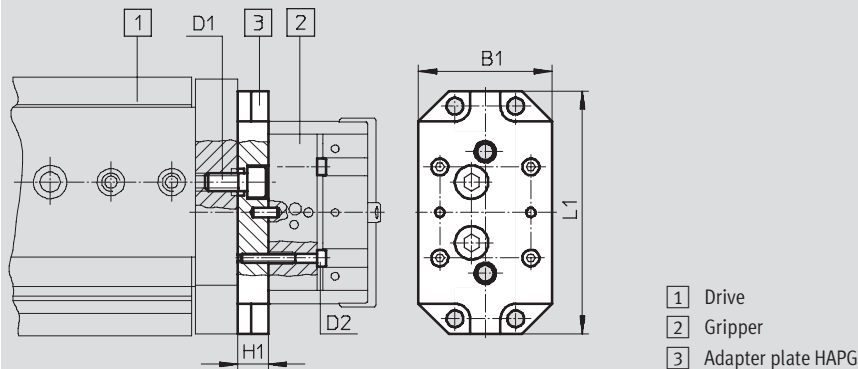


Direct mounting

## Dimensions and ordering data

Download CAD data → [www.festo.com](http://www.festo.com)

Direct mounting



Drive	Gripper	B1	D1	D2	H1	L1	CRC <sup>1)</sup>	Part No.	Type
DGSL-8/10	HGPP-10	33	M4	M3	8	49.6	2	529 017	HAPG-57
DGSL-12/16	HGPP-10		M5			65		529 018	HAPG-58
DGSL-12/16	HGPP-12	36	M6		10	80		191 266	HAPG-48
DGSL-20/25	HGPP-12	44			12	91		191 267	HAPG-49
DGSL-20/25	HGPP-16				M4	191 269		HAPG-51	
DGSL-20/25	HGPP-20	58				191 270		HAPG-52	

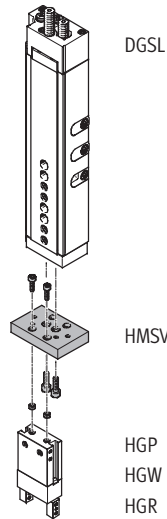
1) Corrosion resistance class 2 as per Festo standard 940 070  
Components subject to moderate corrosion stress. Externally visible parts with primarily decorative surface requirements which are in direct contact with a normal industrial environment or media such as coolants or lubricating agents.

# DGSL/HGP, HGW, HGR connections

Technical data

## Adapter kit HMSV

Material:  
Wrought aluminium alloy, anodised  
Centring pins/sleeves: High-alloy steel  
Free of copper, PTFE and silicone

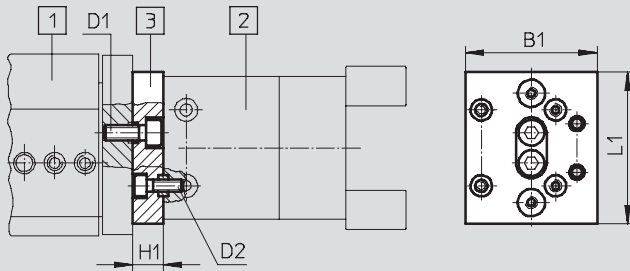


Direct mounting

## Dimensions and ordering data

Download CAD data → [www.festo.com](http://www.festo.com)

Direct mounting



- 1 Drive
- 2 Gripper
- 3 Adapter plate HMSV

Drive	Gripper	B1	D1	D2	H1	L1	CRC <sup>1)</sup>	Part No.	Type
DGSL-4/6	HGP-6	17	M3	M3	8	40	2	548 783	HMSV-53
DGSL-8/10	HGP-10 HGR-10 HGW-10	33	M4	M3	9	50		548 784	HMSV-54
DGSL-12/16	HGP-16	43.5	M6	M4	10	50		548 785	HMSV-55
	HGR-16 HGW-16			M3					
DGSL-20/25	HGP-20	73	M6	M4	12	100	548 786	HMSV-56	
	HGR-25			M6					
	HGW-25								
	HGP-25 HGR-32 HGW-32								

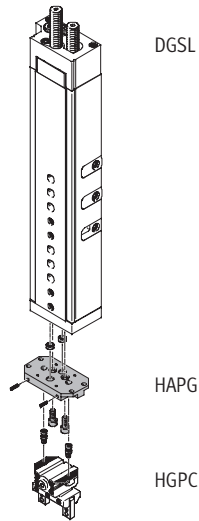
1) Corrosion resistance class 2 as per Festo standard 940 070  
Components subject to moderate corrosion stress. Externally visible parts with primarily decorative surface requirements which are in direct contact with a normal industrial environment or media such as coolants or lubricating agents.

# DGSL/HGPC connections

Technical data

## Adapter kit HAPG

Material:  
Wrought aluminium alloy, anodised  
Centring pins/sleeves: High-alloy steel  
Free of copper, PTFE and silicone

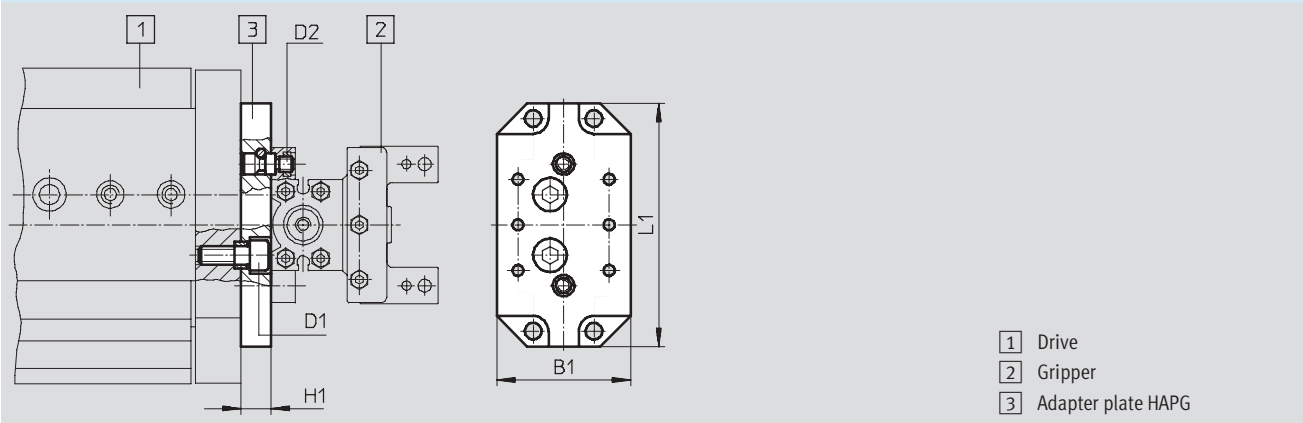


Direct mounting

## Dimensions and ordering data

Download CAD data → [www.festo.com](http://www.festo.com)

Direct mounting



- 1 Drive
- 2 Gripper
- 3 Adapter plate HAPG

Drive	Gripper	B1	D1	D2	H1	L1	CRC <sup>1)</sup>	Part No.	Type
DGSL-12/-16	HGPC-12	33	M5	M4	9	65	2	529 018	HAPG-58
DGSL-20/-25	HGPC-16	44	M6	M5	10	80		191 267	HAPG-49
DGSL-20/25	HGPC-20	58	M6	M6	12	91		191 269	HAPG-51

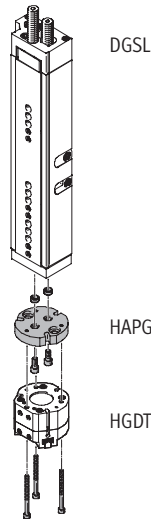
1) Corrosion resistance class 2 as per Festo standard 940 070  
Components subject to moderate corrosion stress. Externally visible parts with primarily decorative surface requirements which are in direct contact with a normal industrial environment or media such as coolants or lubricating agents.

# DGSL/HGDT connections

Technical data

## Adapter kit HAPG

Material:  
Wrought aluminium alloy, anodised  
Centring pins/sleeves: High-alloy steel  
Free of copper, PTFE and silicone

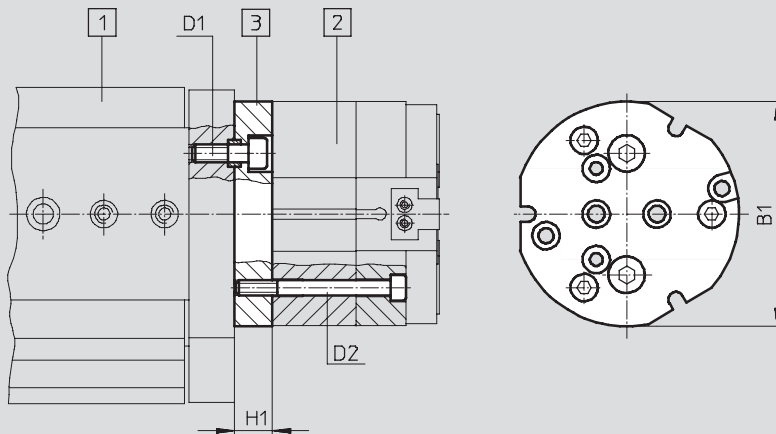


Direct mounting

## Dimensions and ordering data

Download CAD data → [www.festo.com](http://www.festo.com)

Direct mounting



- 1 Drive
- 2 Gripper
- 3 Adapter plate HAPG

Drive	Gripper	B1	D1	D2	H1	CRC <sup>1)</sup>	Part No.	Type
DGSL-16	HGDT-25	48	M5	M3	10	2	542 439	HAPG-SD2-32
DGSL-16	HGDT-35	58	M6	M3	11		542 436	HAPG-94
DGSL-20/25	HGDT-35	58	M6	M3	11		548 805	ZBV-9-7 <sup>2)</sup>
DGSL-20/25	HGDT-40	74	M6	M5	12.5		542 437	HAPG-95
DGSL-25	HGDT-50	92	M6	M5	11.5		542 443	HAPG-SD2-36
							548 806	ZBV-12-9 <sup>2)</sup>

1) Corrosion resistance class 2 as per Festo standard 940 070  
Components subject to moderate corrosion stress. Externally visible parts with primarily decorative surface requirements which are in direct contact with a normal industrial environment or media such as coolants or lubricating agents.

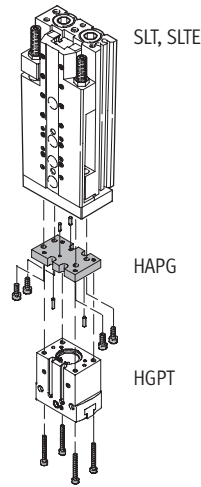
2) Centring sleeve for centring the adapter kit HAPG on the mini slide DGSL

# SLT, SLTE/HGPT connections

Technical data

## Adapter kit HAPG

Material:  
Wrought aluminium alloy, anodised  
Centring pins/sleeves: High-alloy steel  
Free of copper, PTFE and silicone

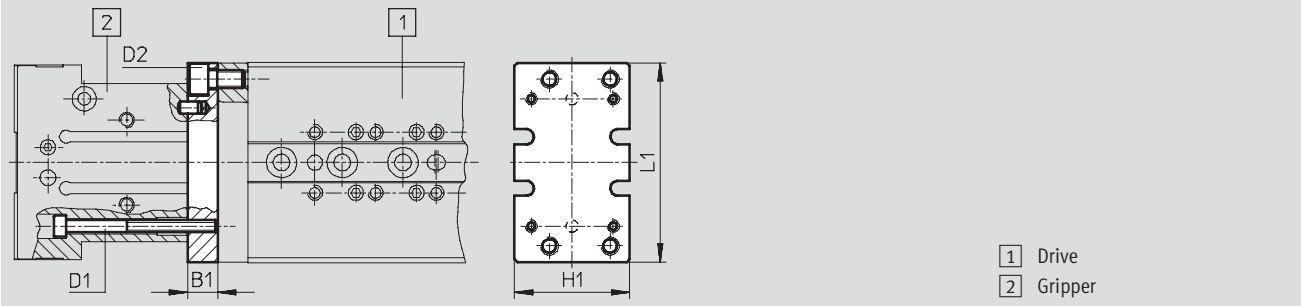


Direct mounting

## Dimensions and ordering data

Download CAD data → [www.festo.com](http://www.festo.com)

Direct mounting



Drive	Gripper	B1	D1	D2	H1	L1	CRC <sup>1)</sup>	Part No.	Type
SLT-6	HGPT-16	6	M2	M3	24	38.6	2	537 168	HAPG-74
SLT/SLTE-10	HGPT-16	8	M2	M3	27	49.6		537 169	HAPG-75
	HGPT-20		M3						
SLT/SLTE-16	HGPT-16	10	M2	M5	33	65.6		537 170	HAPG-76
	HGPT-20		M3						
SLT/SLTE-16	HGPT-25	10	M4	M5	38	65.6		537 180	HAPG-83
SLT-20	HGPT-25/35	10	M4	M5	45	84.6		537 175	HAPG-79
SLT-25	HGPT-35	12	M4	M6	54	100	537 172	HAPG-77	
SLT-25	HGPT-40	12	M5	M6	57	103.6	537 183	HAPG-85	

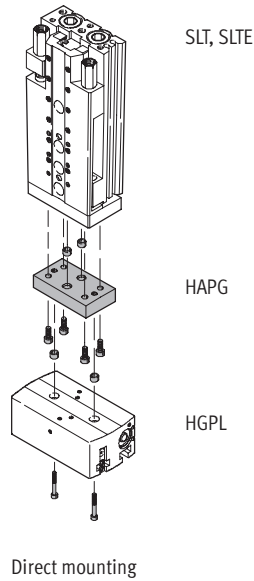
1) Corrosion resistance class 2 as per Festo standard 940 070  
Components subject to moderate corrosion stress. Externally visible parts with primarily decorative surface requirements which are in direct contact with a normal industrial environment or media such as coolants or lubricating agents.

# SLT, SLTE/HGPL connections

Technical data

## Adapter kit HAPG

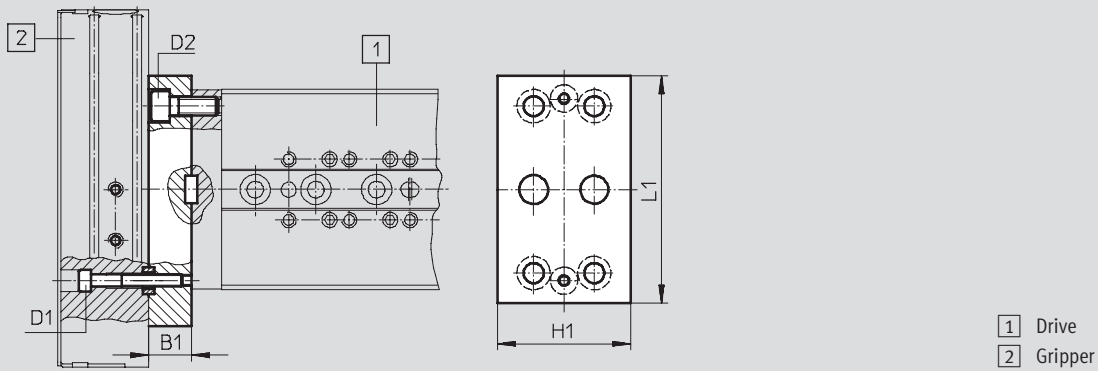
Material:  
Wrought aluminium alloy, anodised  
Centring sleeves: High-alloy steel  
Free of copper, PTFE and silicone



## Dimensions and ordering data

Download CAD data → [www.festo.com](http://www.festo.com)

Direct mounting



Drive	Gripper	B1	D1	D2	H1	L1	CRC <sup>2)</sup>	Part No.	Type
SLT/SLTE-16	HGPL-14 <sup>1)</sup>	14	M4	M5	44	75	2	538 055	HAPG-89
SLT-20 SLT-25	HGPL-14 HGPL-25 <sup>1)</sup>	13.5	M4	M5	52	90		539 274	HAPG-90

1) Only in combination with mini slide SLT...-CC-B (with adjustable shock absorbers) or mini slide SLTE

2) Corrosion resistance class 2 as per Festo standard 940 070

Components subject to moderate corrosion stress. Externally visible parts with primarily decorative surface requirements which are in direct contact with a normal industrial environment or media such as coolants or lubricating agents.

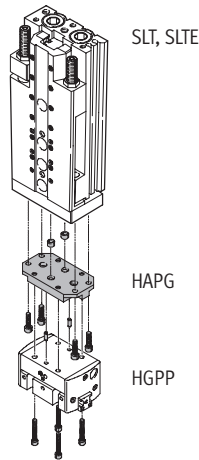


# SLT, SLTE/HGPP connections

Technical data

## Adapter kit HAPG

Material:  
Wrought aluminium alloy, anodised  
Centring pins/sleeves: High-alloy steel  
Free of copper, PTFE and silicone

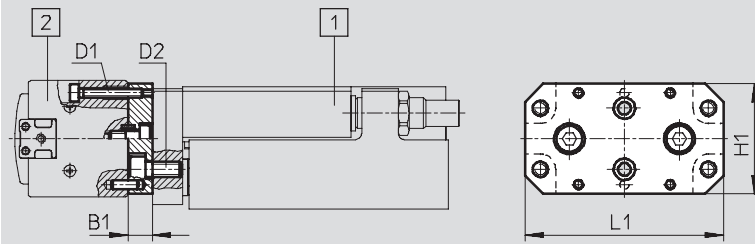


Direct mounting

## Dimensions and ordering data

Download CAD data → [www.festo.com](http://www.festo.com)

Direct mounting



1 Drive  
2 Gripper

Drive	Gripper	B1	D1	D2	H1	L1	CRC <sup>1)</sup>	Part No.	Type
SLT/SLTE-10	HGPP-10	8	M3	M4	33	49.6	2	529 017	HAPG-57
SLT/SLTE-16	HGPP-10	8	M3	M5	33	65		529 018	HAPG-58
SLT/SLTE-16	HGPP-12	8	M3	M5	36	65		191 266	HAPG-48
SLT-20	HGPP-12	10	M3	M5	44	80		191 267	HAPG-49
SLT-20	HGPP-16	10	M3	M5	44	80		191 268	HAPG-50
SLT-25	HGPP-16	12	M3	M6	58	91		191 269	HAPG-51
SLT-25	HGPP-20	12	M4	M6	58	91		191 270	HAPG-52

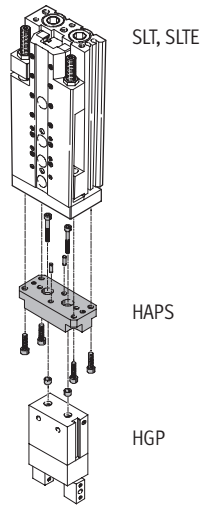
1) Corrosion resistance class 2 as per Festo standard 940 070  
Components subject to moderate corrosion stress. Externally visible parts with primarily decorative surface requirements which are in direct contact with a normal industrial environment or media such as coolants or lubricating agents.

# SLT, SLTE/HGP, HGW, HGR connections

Technical data

## Adapter kit HAPS

Material:  
Wrought aluminium alloy, anodised  
Centring pins/sleeves: High-alloy steel  
Free of copper, PTFE and silicone

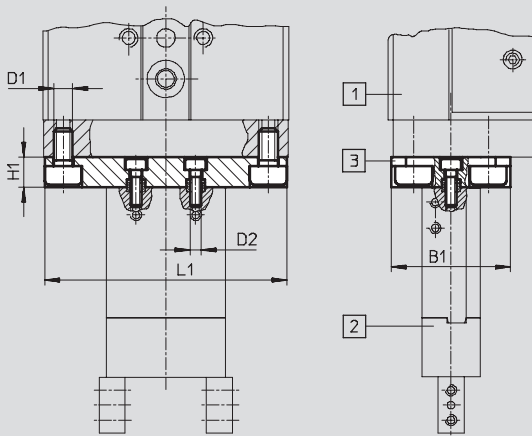


Direct mounting

## Dimensions and ordering data

Download CAD data → [www.festo.com](http://www.festo.com)

Direct mounting



- 1 Drive
- 2 Gripper
- 3 Adapter kit

Drive	Gripper	B1	D1	D2	H1	L1	CRC <sup>1)</sup>	Part No.	Type
SLT-6	HGP-6	16	M3	M3	8	36	2	178 447	HAPS-1
SLT/SLTE-10	HGR-10 HGW-10	28	M4	M3	8	48		178 448	HAPS-2
SLT/SLTE-16	HGP-10 HGR-16 HGW-16	32	M5	M3	8	65		178 449	HAPS-3
SLT-20	HGP-16 HGP-20 HGR-25 HGW-25	44	M5	M5	10	80		178 450	HAPS-4
SLT-25	HGP-25 HGR-32 HGW-32	58	M6	M6	12	91		178 451	HAPS-5

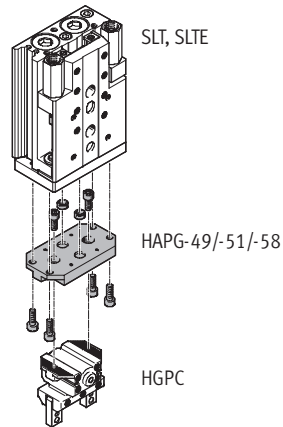
1) Corrosion resistance class 2 as per Festo standard 940 070  
Components subject to moderate corrosion stress. Externally visible parts with primarily decorative surface requirements which are in direct contact with a normal industrial environment or media such as coolants or lubricating agents.

# SLT, SLTE/HGPC connections

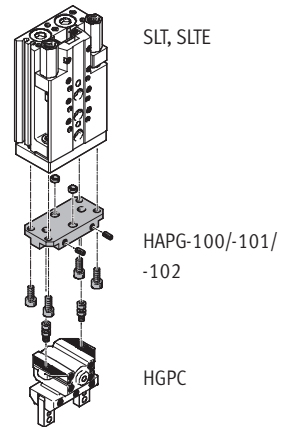
Technical data

## Adapter kit HAPG

Material:  
Wrought aluminium alloy, anodised  
Centring sleeves: High-alloy steel  
Free of copper, PTFE and silicone



Direct mounting

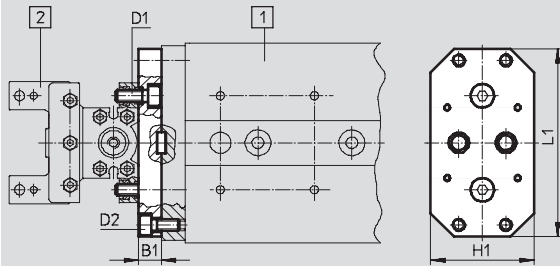


Direct mounting

## Dimensions and ordering data

Download CAD data → [www.festo.com](http://www.festo.com)

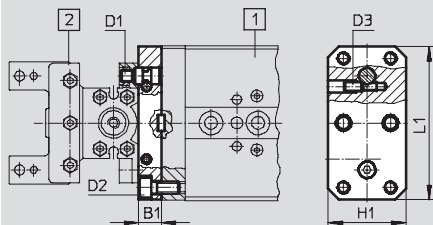
### Direct mounting with HAPG-49/-51/-58



1 Drive  
2 Gripper

Drive	Gripper	B1	D1	D2	H1	L1	CRC <sup>1)</sup>	Part No.	Type
SLT/SLTE-16	HGPC-12	8	M4	M5	33	65	2	529 018	HAPG-58
SLT-20	HGPC-16	10	M5	M5	44	80		191 267	HAPG-49
SLT-25	HGPC-20	12	M6	M6	58	91		191 269	HAPG-51

### Direct mounting with HAPG-100/-101/-102



1 Drive  
2 Gripper

Drive	Gripper	B1	D1	D2	D3	H1	L1	CRC <sup>1)</sup>	Part No.	Type
SLT/SLTE-10	HGPC-12	10	M4	M4	M4	43	49	2	542 670	HAPG-100
SLT/SLTE-16	HGPC-16	10	M5	M5	M4	33	65		542 666	HAPG-101
SLT-20	HGPC-20	10	M6	M5	M4	44	80		542 667	HAPG-102

1) Corrosion resistance class 2 as per Festo standard 940 070

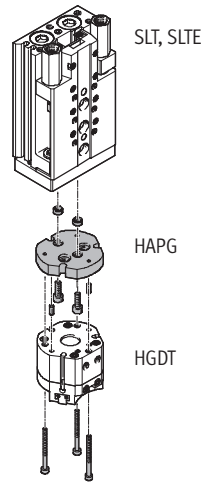
Components subject to moderate corrosion stress. Externally visible parts with primarily decorative surface requirements which are in direct contact with a normal industrial environment or media such as coolants or lubricating agents.

# SLT, SLTE/HGDT connections

Technical data

## Adapter kit HAPG

Material:  
Wrought aluminium alloy, anodised  
Centring pins/sleeves: High-alloy steel  
Free of copper, PTFE and silicone

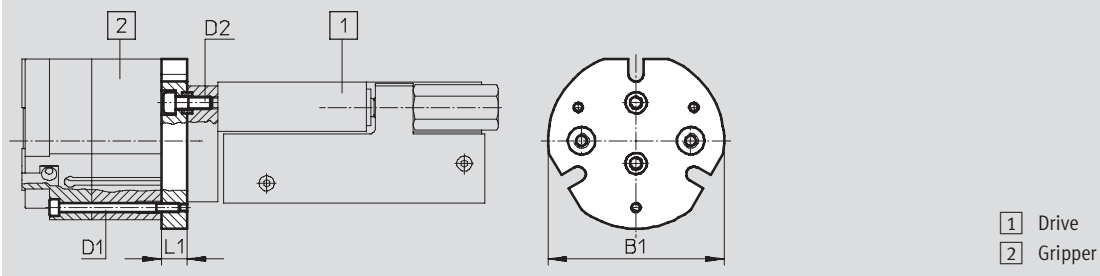


Direct mounting

## Dimensions and ordering data

Download CAD data → [www.festo.com](http://www.festo.com)

Direct mounting



Drive	Gripper	B1	D1	D2	L1	CRC <sup>1)</sup>	Part No.	Type
SLT/SLTE-16	HGDT-25	49	M3	M4	8.5	2	542 433	HAPG-97
SLT/SLTE-16	HGDT-35	58	M3	M4	8.5		542 435	HAPG-99
SLT-20	HGDT-25	49	M3	M5	10		542 439	HAPG-SD2-32
SLT-20	HGDT-35	58	M3	M5	11		542 436	HAPG-94
SLT-25				M6				
SLT-20	HGDT-40	74	M5	M5	12.5		542 437	HAPG-95
SLT-25				M6				
SLT-25	HGDT-50	92	M6	M6	11.5		542 443	HAPG-SD2-36

1) Corrosion resistance class 2 as per Festo standard 940 070

Components subject to moderate corrosion stress. Externally visible parts with primarily decorative surface requirements which are in direct contact with a normal industrial environment or media such as coolants or lubricating agents.

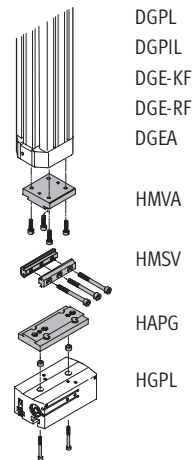
# DG.../HGPL connections

Technical data



## Adapter kit HMVA, HAPG, HMSV

Material:  
 Wrought aluminium alloy, anodised  
 Centring sleeves: High-alloy steel  
 Free of copper, PTFE and silicone

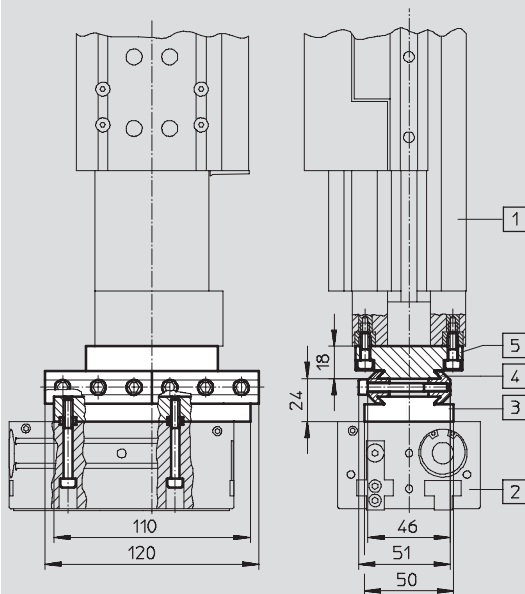


Dovetail mounting

## Dimensions and ordering data

Download CAD data → [www.festo.com](http://www.festo.com)

Dovetail mounting



- 1 Linear drive
- 2 Gripper
- 3 Adapter kit HAPG
- 4 Adapter kit HMSV
- 5 Adapter kit HMVA

Drive	Gripper	CRC <sup>1)</sup>	Part No.	Type
DG...-40	HGPL-25	2	196 790	HMVA-DLA40
			177 653	HMSV-7
			539 887	HAPG-92

1) Corrosion resistance class 2 as per Festo standard 940 070  
 Components subject to moderate corrosion stress. Externally visible parts with primarily decorative surface requirements which are in direct contact with a normal industrial environment or media such as coolants or lubricating agents.

# DG.../HGPP connections

Technical data



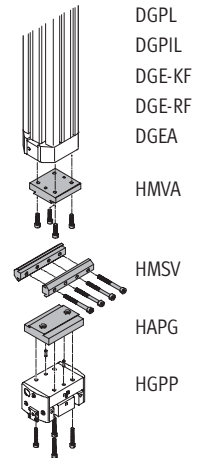
## Adapter kit HMVA, HAPG, HMSV

Material:

Wrought aluminium alloy, anodised

Centring pins/sleeves: High-alloy steel

Free of copper, PTFE and silicone

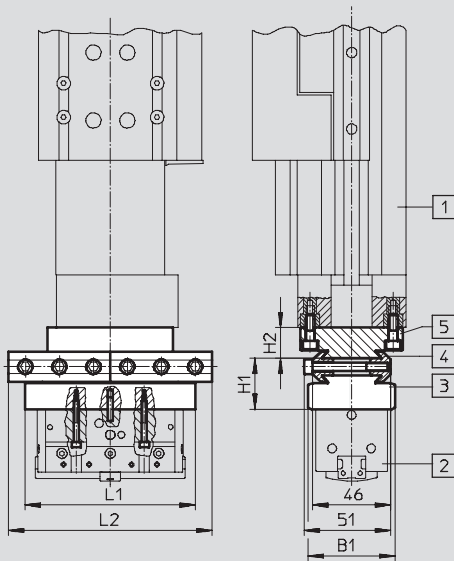


Dovetail mounting

## Dimensions and ordering data

Download CAD data → [www.festo.com](http://www.festo.com)

Dovetail mounting



- 1 Linear drive
- 2 Gripper
- 3 Adapter kit HAPG
- 4 Adapter kit HMSV
- 5 Adapter kit HMVA

Drive	Gripper	B1	H1	H2	L1	L2	CRC <sup>1)</sup>	Part No.	Type	Part No.	Type
DGP...-25	HGPP-12	44	30	14	85	100	2	191 262	HAPG-44	196 788	HMVA-DLA18/25
DGE-25	HGPP-16	44	30	14	100	100		191 263	HAPG-45	177 649	HMSV-3
DGEA-18											
DGP...-40	HGPP-16	51	30	18	100	120		191 264	HAPG-46	196 790	HMVA-DLA40
DGE-40	HGPP-20	50	22	18	110	120		191 265	HAPG-47	177 653	HMSV-7
	HGPP-25	60	28	18	110	120		529 019	HAPG-59		
	HGPP-32	60	28	18	133	120		529 020	HAPG-61		

1) Corrosion resistance class 2 as per Festo standard 940 070

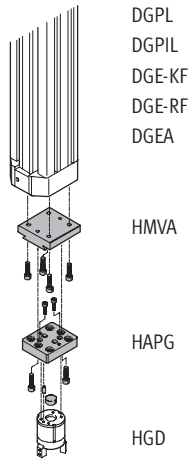
Components subject to moderate corrosion stress. Externally visible parts with primarily decorative surface requirements which are in direct contact with a normal industrial environment or media such as coolants or lubricating agents.

# DG.../HGD connections

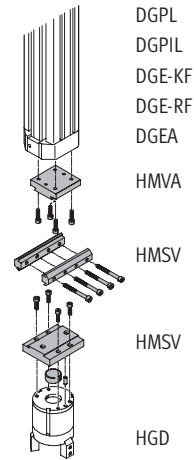
Technical data

## Adapter kit HMVA, HAPG, HMSV

Material:  
Wrought aluminium alloy, anodised  
Centring pins/sleeves: High-alloy steel  
Free of copper, PTFE and silicone



Direct mounting

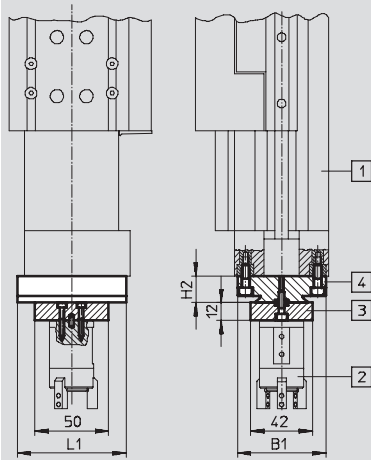


Dovetail mounting

## Dimensions and ordering data

Download CAD data → [www.festo.com](http://www.festo.com)

### Direct mounting



- 1 Linear drive
- 2 Gripper
- 3 Adapter kit HAPG
- 4 Adapter kit HMVA

Drive	Gripper	B1	H2	L1	CRC <sup>1)</sup>	Part No.	Type
DGP...-25	HGD-16	50	14	50	2	196 788	HMVA-DLA18/25
DGE-25						193 921	HAPG-36-S3
DGEA-18							
DGP...-40	HGD-16	60	18	74		196 790	HMVA-DLA40
DGE-40						193 921	HAPG-36-S3

1) Corrosion resistance class 2 as per Festo standard 940 070  
Components subject to moderate corrosion stress. Externally visible parts with primarily decorative surface requirements which are in direct contact with a normal industrial environment or media such as coolants or lubricating agents.

# DG.../HGD connections

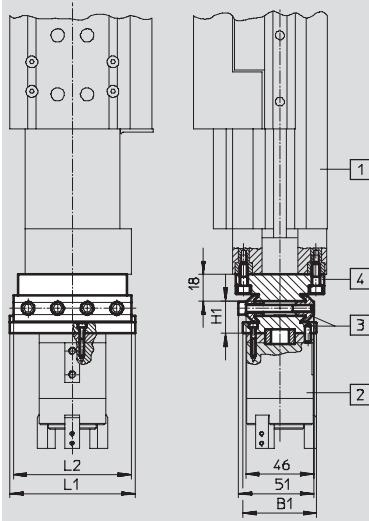
Technical data

FESTO

## Dimensions and ordering data

Download CAD data → [www.festo.com](http://www.festo.com)

### Dovetail mounting



- 1 Linear drive
- 2 Gripper
- 3 Adapter kit HMSV
- 4 Adapter kit HMVA

Drive	Gripper	B1	H1	L1	L2	CRC <sup>1)</sup>	Part No.	Type
DGP...-40	HGD-32					2	196 790	HMVA-DLA40
DGE-40		70	24	110	100		178 212	HMSV-32
DGEA-40								
DGP...-40	HGD-50						196 790	HMVA-DLA40
DGE-40		70	24	110	100		178 213	HMSV-33
DGEA-40								

1) Corrosion resistance class 2 as per Festo standard 940 070

Components subject to moderate corrosion stress. Externally visible parts with primarily decorative surface requirements which are in direct contact with a normal industrial environment or media such as coolants or lubricating agents.

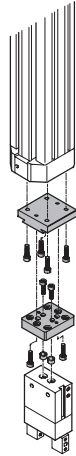


# DG.../HGP, HGW, HGR connections

Technical data

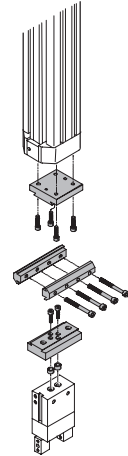
## Adapter kit HMVA, HAPG, HMSV

Material:  
Wrought aluminium alloy, anodised  
Centring sleeves: High-alloy steel  
Free of copper, PTFE and silicone



DGPL  
DGPIL  
DGE-KF  
DGE-RF  
DGEA  
  
HMVA  
  
HAPG  
  
HGP

Direct mounting



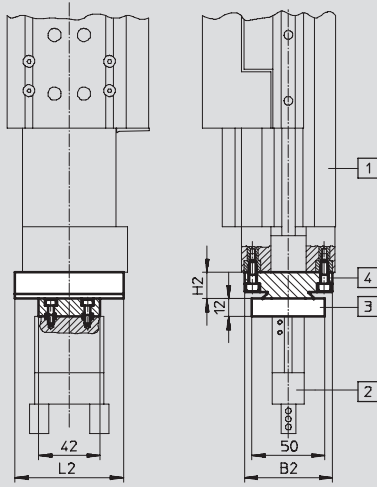
DGPL  
DGPIL  
DGE-KF  
DGE-RF  
DGEA  
  
HMVA  
  
HMSV  
HMSV  
HGP

Dovetail mounting

## Dimensions

Download CAD data → [www.festo.com](http://www.festo.com)

### Direct mounting



- 1 Linear drive
- 2 Gripper
- 3 Adapter kit HAPG
- 4 Adapter kit HMVA

## DG.../HGP, HGW, HGR connections

Technical data

Drive	Gripper	B2	H2	L2	CRC <sup>1)</sup>	Part No.	Type	Part No.	Type
DGP...-25 DGE-25 DGEA-18	HGP-06 HGR-10 HGW-10	50	14	50	2	196 788	HMVA-DLA18/25	192 706	HAPG-37-S1
DGP...-40 DGE-40		60	18	74		196 790	HMVA-DLA40		
DGP...-25 DGE-25 DGEA-18	HGP-10 HGR-16 HGW-16	50	14	50		196 788	HMVA-DLA18/25	192 705	HAPG-36-S1
DGP...-40 DGE-40		60	18	74		196 790	HMVA-DLA40		
DGP...-25 DGE-25 DGEA-18	HGP-16 HGR-25 HGW-25	50	14	50		196 788	HMVA-DLA18/25	193 922	HAPG-37-S4
DGP...-40 DGE-40		60	18	74		196 790	HMVA-DLA40		

1) Corrosion resistance class 2 as per Festo standard 940 070

Components subject to moderate corrosion stress. Externally visible parts with primarily decorative surface requirements which are in direct contact with a normal industrial environment or media such as coolants or lubricating agents.

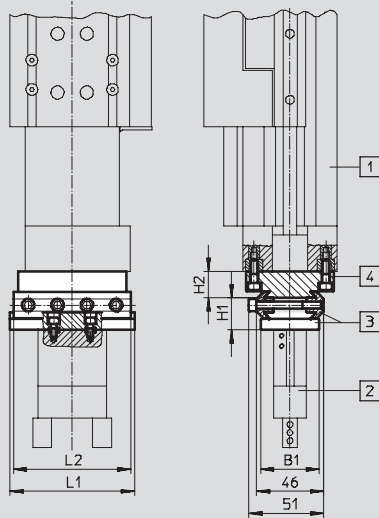
# DG.../HGP, HGW, HGR connections

Technical data

## Dimensions and ordering data

Download CAD data → [www.festo.com](http://www.festo.com)

### Dovetail mounting



- 1 Linear drive
- 2 Gripper
- 3 Adapter kit HMSV
- 4 Adapter kit HMVA

Drive	Gripper	B1	H1	H2	L1	L2	CRC <sup>1)</sup>	Part No.	Type	Part No.	Type
DGP...-25 DGE-25 DGEA-18	HGP-10 HGR-16 HGW-16	40	22	14	85	80	2	196 788	HMVA-DLA18/25	177 767	HMSV-27
DGP...-40 DGE-40		40	22	18	85	80		196 790	HMVA-DLA40		
DGP...-25 DGE-25 DGEA-18	HGP-16 HGR-25 HGW-25	40	22	14	85	80		196 788	HMVA-DLA18/25	177 768	HMSV-28
DGP...-40 DGE-40		40	22	18	85	80		196 790	HMVA-DLA40		
DGP...-40 DGE-40	HGP-25 HGR-32 HGW-32	50	24	18	100	100		196 790	HMVA-DLA40	177 769	HMSV-29
DGP...-40 DGE-40	HGP-35 HGR-40 HGW-40	60	28	18	110	100		196 790	HMVA-DLA40	177 770	HMSV-30

1) Corrosion resistance class 2 as per Festo standard 940 070  
 Components subject to moderate corrosion stress. Externally visible parts with primarily decorative surface requirements which are in direct contact with a normal industrial environment or media such as coolants or lubricating agents.

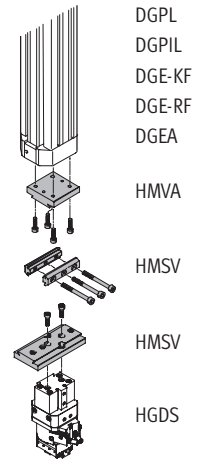
# DG.../HGDS connections

Technical data



## Adapter kit HMVA, HMSV

Material:  
Wrought aluminium alloy, anodised  
Centring sleeves: High-alloy steel  
Free of copper, PTFE and silicone

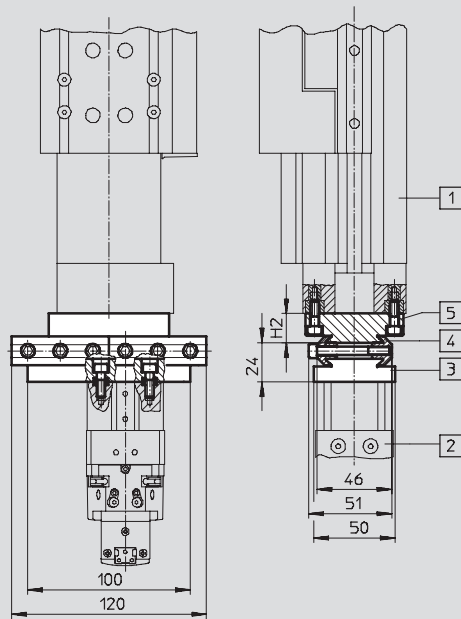


Dovetail mounting

## Dimensions and ordering data

Download CAD data → [www.festo.com](http://www.festo.com)

Dovetail mounting



- 1 Linear drive
- 2 Swivel/gripper unit
- 3 Adapter kit HMSV
- 4 Adapter kit HMSV
- 5 Adapter kit HMVA

Drive	Gripper	H2	CRC <sup>1)</sup>	Part No.	Type	Part No.	Type
DGP...-25	HGDS-12 ... 20	14	2	196 788	HMVA-DLA18/25	177 653	HMSV-7
DGE-25						534 290	HMSV-38
DGEA-18							
DGP...-40	HGDS-12 ... 20	18		196 790	HMVA-DLA40		
DGE-40							

1) Corrosion resistance class 2 as per Festo standard 940 070

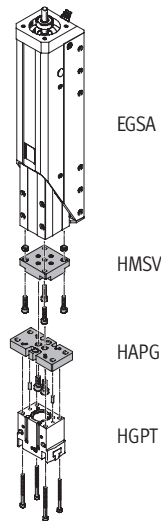
Components subject to moderate corrosion stress. Externally visible parts with primarily decorative surface requirements which are in direct contact with a normal industrial environment or media such as coolants or lubricating agents.

# EGSA/HGPT connections

Technical data

## Adapter kit HAPG, HMSV

Material:  
Wrought aluminium alloy, anodised  
Centring pins/sleeves: High-alloy steel  
Free of copper, PTFE and silicone

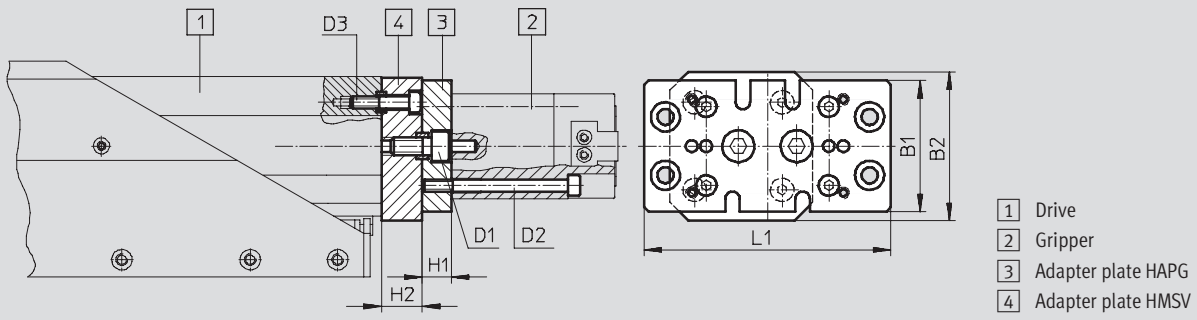


Direct mounting

## Dimensions and ordering data

Download CAD data → [www.festo.com](http://www.festo.com)

Direct mounting



Drive	Gripper	B1	B2	D1	D2	D3	H1	H2	L1
EGSA-50	HGPT-16	33	40	M5	M2.5	M4	10	12	65.6
	HGPT-20				M3				
EGSA-50	HGPT-25	38	40	M5	M4	M4	10	12	65.6
EGSA-60	HGPT-25/35	45	51	M6	M4	M4	10	14	84.6
EGSA-60	HGPT-40	57	51	M6	M5	M4	12	14	103.6

Drive	Gripper	CRC <sup>1)</sup>	Part No.	Type	Part No.	Type
EGSA-50	HGPT-16	2	560 017	HMSV-61	537 170	HAPG-76
	HGPT-20					
EGSA-50	HGPT-25		560 017	HMSV-61	537 180	HAPG-83
EGSA-60	HGPT-25/35		560 018	HMSV-62	537 175	HAPG-79
EGSA-60	HGPT-40		560 018	HMSV-62	537 183	HAPG-85

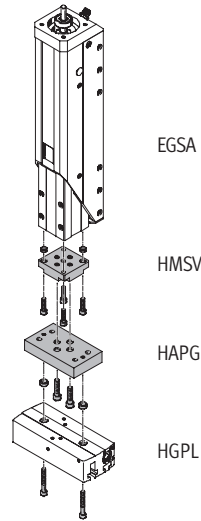
1) Corrosion resistance class 2 as per Festo standard 940 070  
Components subject to moderate corrosion stress. Externally visible parts with primarily decorative surface requirements which are in direct contact with a normal industrial environment or media such as coolants or lubricating agents.

# EGSA/HGPL connections

Technical data

## Adapter kit HAPG, HMSV

Material:  
Wrought aluminium alloy, anodised  
Centring pins/sleeves: High-alloy steel  
Free of copper, PTFE and silicone

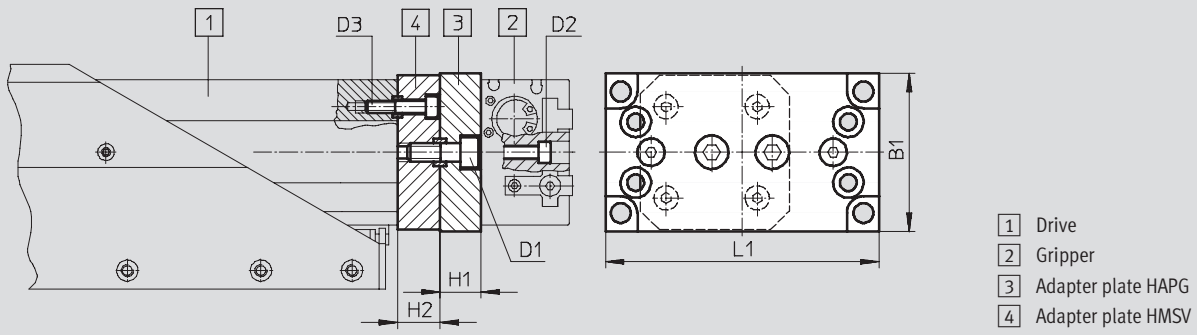


Direct mounting

## Dimensions and ordering data

Download CAD data → [www.festo.com](http://www.festo.com)

Direct mounting



Drive	Gripper	B1	D1	D2	D3	H1	H2	L1
EGSA-50	HGPL-14	44	M5	M4	M4	14	12	75
EGSA-60	HGPL-14	52	M6			13.5	14	90

Drive	Gripper	CRC <sup>1)</sup>	Part No.	Type	Part No.	Type
EGSA-50	HGPL-14	2	560 017	HMSV-61	538 055	HAPG-89
EGSA-60	HGPL-14		560 018	HMSV-62	539 274	HAPG-90

1) Corrosion resistance class 2 as per Festo standard 940 070

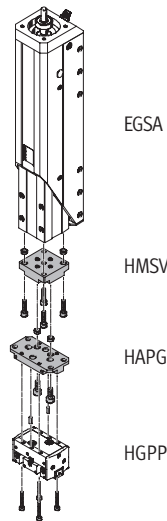
Components subject to moderate corrosion stress. Externally visible parts with primarily decorative surface requirements which are in direct contact with a normal industrial environment or media such as coolants or lubricating agents.

# EGSA/HGPP connections

Technical data

## Adapter kit HAPG, HMSV

Material:  
Wrought aluminium alloy, anodised  
Centring pins/sleeves: High-alloy steel  
Free of copper, PTFE and silicone

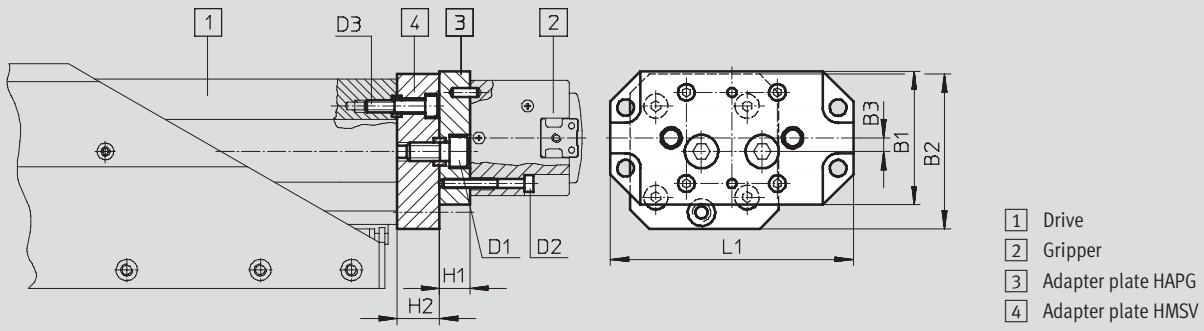


Direct mounting

## Dimensions and ordering data

Download CAD data → [www.festo.com](http://www.festo.com)

Direct mounting



Drive	Gripper	B1	B2	B3	D1	D2	D3	H1	H2	L1
EGSA-50	HGPP-10	33	40	7	M5	M3	M4	8	12	65
EGSA-50	HGPP-12	36								
EGSA-60	HGPP-12	44	51	4.5	M6	M3	M4	10	14	80
EGSA-60	HGPP-16	58		5		M3		12		91
EGSA-60	HGPP-20	58		10		M4		12		91

Drive	Gripper	CRC <sup>1)</sup>	Part No.	Type	Part No.	Type
EGSA-50	HGPP-10	2	560 017	HMSV-61	529 018	HAPG-58
EGSA-50	HGPP-12		560 017	HMSV-61	191 266	HAPG-48
EGSA-60	HGPP-12		560 018	HMSV-62	191 267	HAPG-49
EGSA-60	HGPP-16		560 018	HMSV-62	191 269	HAPG-51
EGSA-60	HGPP-20		560 018	HMSV-62	191 270	HAPG-52

1) Corrosion resistance class 2 as per Festo standard 940 070

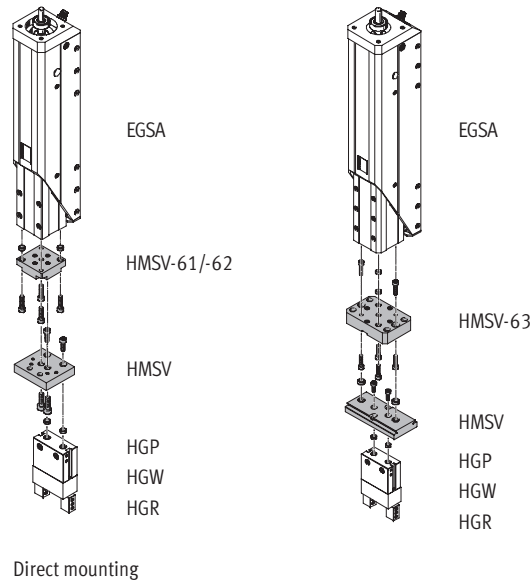
Components subject to moderate corrosion stress. Externally visible parts with primarily decorative surface requirements which are in direct contact with a normal industrial environment or media such as coolants or lubricating agents.

# EGSA/HGP, HGW, HGR connections

Technical data

## Adapter kit HMSV

Material:  
Wrought aluminium alloy, anodised  
Centring pins/sleeves: High-alloy steel  
Free of copper, PTFE and silicone

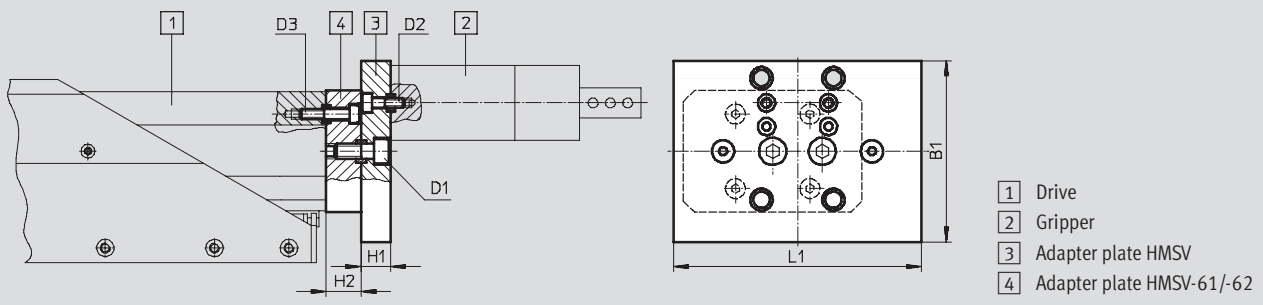


Direct mounting

## Dimensions and ordering data

Download CAD data → [www.festo.com](http://www.festo.com)

Direct mounting



Drive	Gripper	B1	D1	D2	D3	H1	H2	L1	CRC <sup>1)</sup>	Part No.	Type	Part No.	Type
EGSA-50	HGP-16	43.5	M5	M4	M4	10	12	50	2	560 017	HMSV-61	548 785	HMSV-55
	HGR-16 HGW-16			M3									
EGSA-60	HGP-10	40	M5	M3	M4	12	16	85		560 019	HMSV-63	177 666	HMSV-20
	HGR-16 HGW-16												
EGSA-60	HGP-16	40	M5	M4	M4	12	16	85		560 019	HMSV-63	177 761	HMSV-21
EGSA-60	HGP-20	73	M6	M4	M4	12	14	100		560 018	HMSV-62	548 786	HMSV-56
	HGR-25 HGW-25												
	HGP-25 HGR-32 HGW-32	73	M6	M6	M4	12	14	100					

1) Corrosion resistance class 2 as per Festo standard 940 070

Components subject to moderate corrosion stress. Externally visible parts with primarily decorative surface requirements which are in direct contact with a normal industrial environment or media such as coolants or lubricating agents.

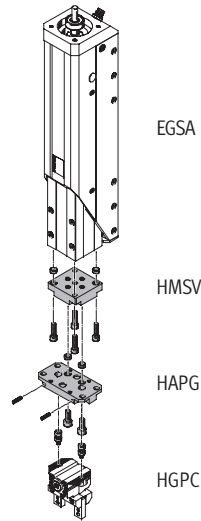


# EGSA/HGPC connections

Technical data

## Adapter kit HAPG, HMSV

Material:  
Wrought aluminium alloy, anodised  
Centring pins/sleeves: High-alloy steel  
Free of copper, PTFE and silicone

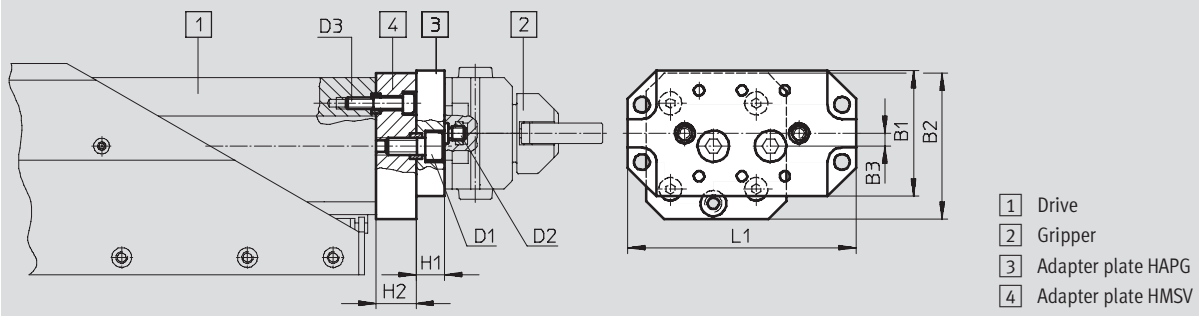


Direct mounting

## Dimensions and ordering data

Download CAD data → [www.festo.com](http://www.festo.com)

Direct mounting



- 1 Drive
- 2 Gripper
- 3 Adapter plate HAPG
- 4 Adapter plate HMSV

Drive	Gripper	B1	B2	B3	D1	D2	D3	H1	H2	L1
EGSA-50	HGPC-12	33	40	7	M5	M4	M4	9	12	65
EGSA-60	HGPC-16	44	51	4.5	M6	M5	M4	10	14	80
EGSA-60	HGPC-20	58	51	5	M6	M6	M4	12	14	91

Drive	Gripper	CRC <sup>1)</sup>	Part No.	Type	Part No.	Type
EGSA-50	HGPC-12	2	560 017	HMSV-61	529 018	HAPG-58
EGSA-60	HGPC-16		560 018	HMSV-62	191 267	HAPG-49
EGSA-60	HGPC-20		560 018	HMSV-62	191 269	HAPG-51

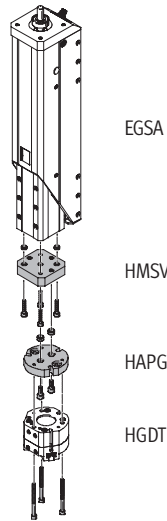
1) Corrosion resistance class 2 as per Festo standard 940 070  
Components subject to moderate corrosion stress. Externally visible parts with primarily decorative surface requirements which are in direct contact with a normal industrial environment or media such as coolants or lubricating agents.

# EGSA/HGDT connections

Technical data

## Adapter kit HAPG, HMSV

Material:  
Wrought aluminium alloy, anodised  
Centring pins/sleeves: High-alloy steel  
Free of copper, PTFE and silicone

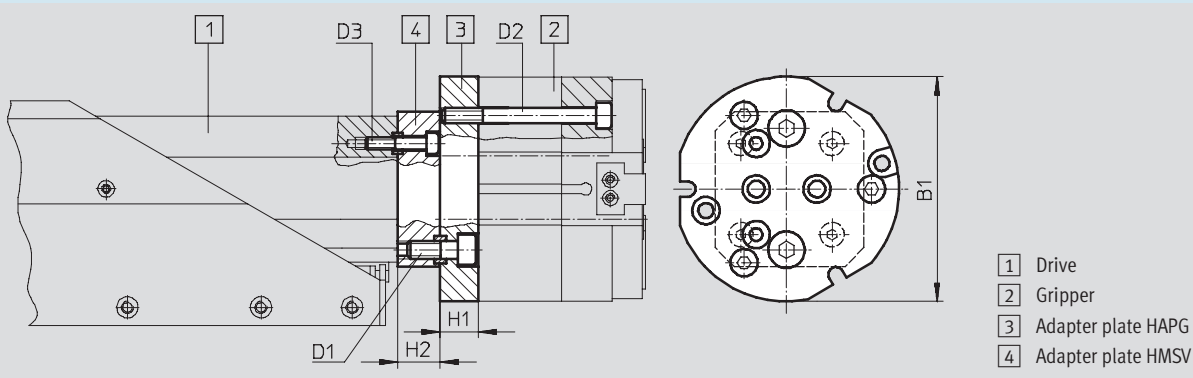


Direct mounting

## Dimensions and ordering data

Download CAD data → [www.festo.com](http://www.festo.com)

Direct mounting



Drive	Gripper	B1	D1	D2	D3	H1	H2
EGSA-50	HGDT-25	48	M5	M3	M4	10	12
EGSA-50	HGDT-35	58	M5	M3	M4	11	12
EGSA-60	HGDT-35	58	M6	M5	M4	11	14
EGSA-60	HGDT-40	74	M6	M5	M4	12.5	14

Drive	Gripper	CRC <sup>1)</sup>	Part No.	Type	Part No.	Type
EGSA-50	HGDT-25	2	560 017	HMSV-61	542 439	HAPG-SD2-32
EGSA-50	HGDT-35		560 017	HMSV-61	542 436	HAPG-94
					548 805	ZBV-9-7 <sup>2)</sup>
EGSA-60	HGDT-35		560 018	HMSV-62	542 436	HAPG-94
				548 806	ZBV-12-9 <sup>2)</sup>	
EGSA-60	HGDT-40		560 018	HMSV-62	542 437	HAPG-95
					548 806	ZBV-12-9 <sup>2)</sup>

1) Corrosion resistance class 2 as per Festo standard 940 070  
Components subject to moderate corrosion stress. Externally visible parts with primarily decorative surface requirements which are in direct contact with a normal industrial environment or media such as coolants or lubricating agents.

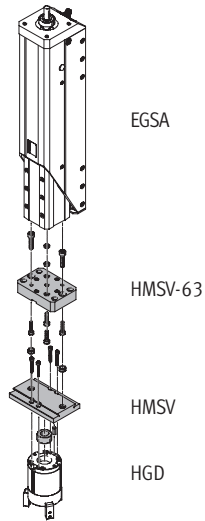
2) Connecting sleeve for centring the adapter kit HAPG on the spindle driven cantilever axis EGSA.

# EGSA/HGD connections

Technical data

## Adapter kit HMSV

Material:  
Wrought aluminium alloy, anodised  
Centring pins/sleeves: High-alloy steel  
Free of copper, PTFE and silicone

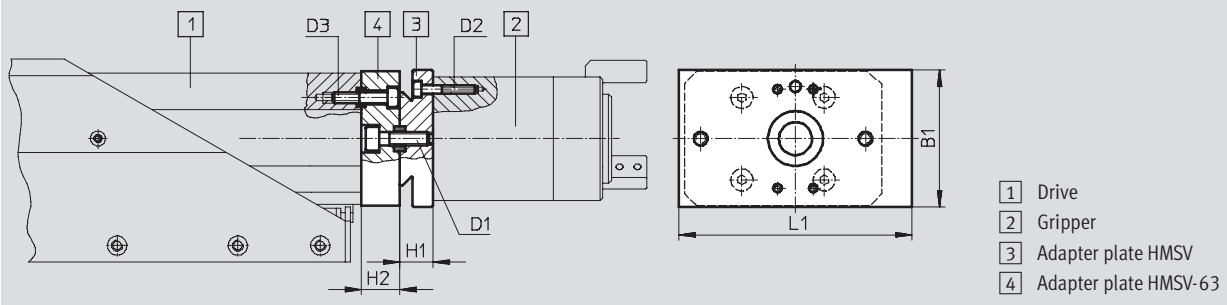


Direct mounting

## Dimensions and ordering data

Download CAD data → [www.festo.com](http://www.festo.com)

Direct mounting



Drive	Gripper	B1	D1	D2	D3	H1	H2	L1
EGSA-60	HGD-32	50	M5	M3	M4	12	16	85

Drive	Gripper	CRC <sup>1)</sup>	Part No.	Type	Part No.	Type
EGSA-60	HGD-32	2	560 019	HMSV-63	177 765	HMSV-25

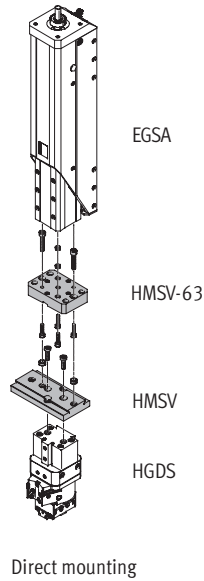
1) Corrosion resistance class 2 as per Festo standard 940 070  
Components subject to moderate corrosion stress. Externally visible parts with primarily decorative surface requirements which are in direct contact with a normal industrial environment or media such as coolants or lubricating agents.

# EGSA/HGDS connections

Technical data

## Adapter kit HMSV

Material:  
Wrought aluminium alloy, anodised  
Centring sleeves: High-alloy steel  
Free of copper, PTFE and silicone

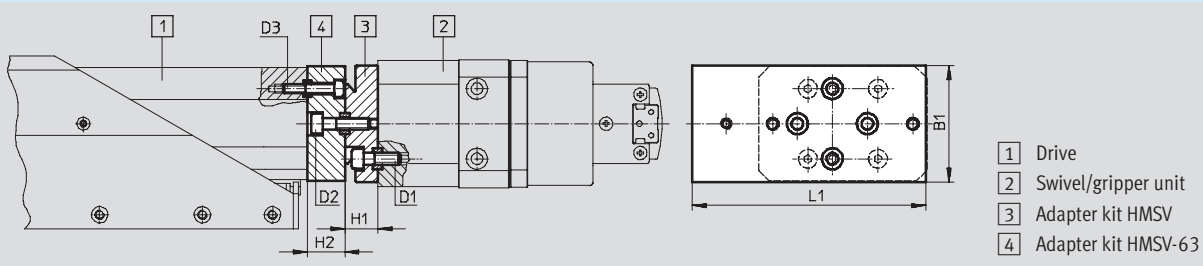


Direct mounting

## Dimensions and ordering data

Download CAD data → [www.festo.com](http://www.festo.com)

Direct mounting



Drive	Gripper	B1	D1	D2	D3	H1	H2	L1
EGSA-60	HGDS-16 HGDS-20	50	M5	M5	M4	14	16	100

Drive	Gripper	CRC <sup>1)</sup>	Part No.	Type	Part No.	Type
EGSA-60	HGDS-16 HGDS-20	2	560 019	HMSV-63	534 290	HMSV-38

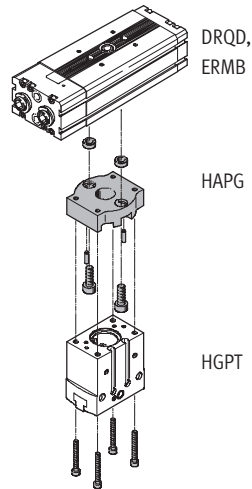
1) Corrosion resistance class 2 as per Festo standard 940 070  
Components subject to moderate corrosion stress. Externally visible parts with primarily decorative surface requirements which are in direct contact with a normal industrial environment or media such as coolants or lubricating agents.

# DRQD, ERMB/HGPT connections

Technical data

## Adapter kit HAPG

Material:  
Wrought aluminium alloy, anodised  
Centring pins/sleeves: High-alloy steel  
Free of copper, PTFE and silicone



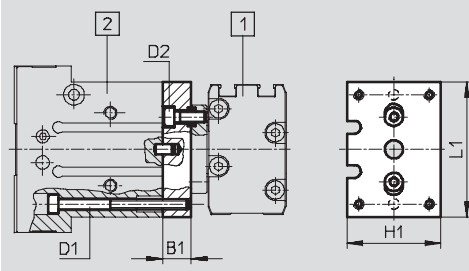
Direct mounting  
DRQD-...-FW on flanged shaft  
ERMB-... on drive shaft

## Dimensions and ordering data

Download CAD data → [www.festo.com](http://www.festo.com)

Direct mounting with DRQD on flanged shaft and flanged shaft with energy through-feed

Direct mounting with ERMB on drive shaft



1 Drive  
2 Gripper

Drive	Gripper	B1	D1	D2	H1	L1	CRC <sup>1)</sup>	Part No.	Type
Flanged shaft with energy through-feed SD...									
DRQD-12	HGPT-16	11	M2	M3	35.5	34	2	537 171	HAPG-SD2-22
DRQD-B-16				M4					
DRQD-12	HGPT-20	11	M3	M3	44	34		537 177	HAPG-SD2-24
DRQD-B-16				M4					
DRQD-B-16/-20	HGPT-25	11	M4	M4	36	52		537 181	HAPG-SD2-25
ERMB-20									
DRQD-B-20	HGPT-35	12	M4	M4	42	64		537 173	HAPG-SD2-23
ERMB-20				M6					
DRQD-B-25									
ERMB-25									
DRQD-B-25/-32	HGPT-40	15	M5	M6	50	80	537 184	HAPG-SD2-26	
ERMB-25/-32									
DRQD-B-32	HGPT-50	15	M6	M8	85.5	100	537 186	HAPG-SD2-27	
ERMB-32				M6					
DRQD-40									
DRQD-40/-50	HGPT-63	15	M6	M8	83	125	537 188	HAPG-SD2-28	

1) Corrosion resistance class 2 as per Festo standard 940 070

Components subject to moderate corrosion stress. Externally visible parts with primarily decorative surface requirements which are in direct contact with a normal industrial environment or media such as coolants or lubricating agents.

# DRQD, ERMB/HGPT connections

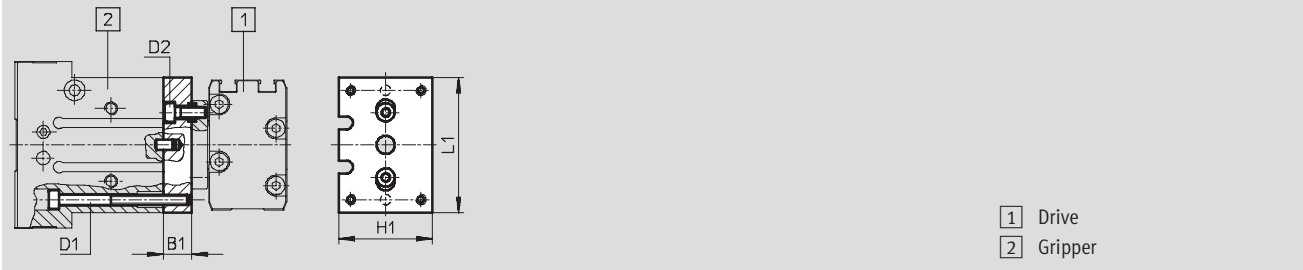
Technical data

FESTO

## Dimensions and ordering data

Download CAD data → [www.festo.com](http://www.festo.com)

Direct mounting on flanged shaft and flanged shaft with energy through-feed



1 Drive  
2 Gripper

Drive	Gripper	B1	D1	D2	H1	L1	CRC <sup>1)</sup>	Part No.	Type
Flanged shaft with energy through-feed E...									
DRQD-B-16	HGPT-16	8	M2.5	M4	35	44	2	544 641	HAPG-SD2-47
	HGPT-20		M3						
DRQD-B-16	HGPT-25	9	M4	M4	42	64		544 642	HAPG-SD2-48
DRQD-B-20	HGPT-25/-35	9	M4	M4	42	64		544 642	HAPG-SD2-48
DRQD-B-25	HGPT-35	12	M4	M4	42	64		537 173	HAPG-SD2-23
DRQD-B-25/-32	HGPT-40	15	M5	M6	50	80		537 184	HAPG-SD2-26
DRQD-B-32	HGPT-50	11	M6	M6	60	100		544 643	HAPG-SD2-49

1) Corrosion resistance class 2 as per Festo standard 940 070

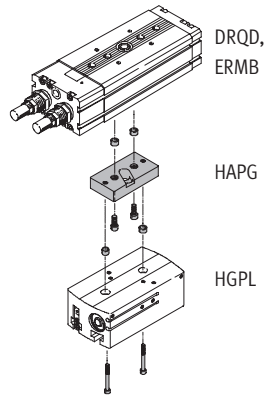
Components subject to moderate corrosion stress. Externally visible parts with primarily decorative surface requirements which are in direct contact with a normal industrial environment or media such as coolants or lubricating agents.

# DRQD, ERMB/HGPL connections

Technical data

## Adapter kit HAPG

Material:  
Wrought aluminium alloy, anodised  
Centring sleeves: High-alloy steel  
Free of copper, PTFE and silicone

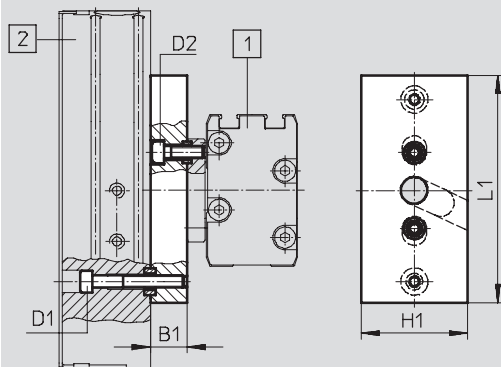



Direct mounting  
DRQD-...-FW on flanged shaft  
ERMB-... on drive shaft

## Dimensions and ordering data

Download CAD data → [www.festo.com](http://www.festo.com)

Direct mounting with DRQD on flanged shaft and flanged shaft with energy through-feed  
Direct mounting with ERMB on drive shaft



-  - Note  
Only in combination with semi-rotary drive DRQD-...-YSRJ (with adjustable shock absorbers)

1 Drive  
2 Gripper

Drive	Gripper	B1	D1	D2	H1	L1	CRC <sup>1)</sup>	Part No.	Type
Flanged shaft with energy through-feed SD...									
DRQD-B-16	HGPL-14	12	M4	M4	35	75	2	537 310	HAPG-SD2-31
DRQD-B-20 ERMB-20									
DRQD-B-25/-32 ERMB-25/-32	HGPL-25	14	M5	M6	60	75			
DRQD-40	HGPL-40	20	M8	M8	60	120	2	537 312	HAPG-SD2-30
DRQD-50									
Flanged shaft with energy through-feed E...									
DRQD-B-16	HGPL-14	9	M4	M4	35	75	2	544 644	HAPG-SD2-45
DRQD-B-20									
DRQD-B-25 DRQD-B-32	HGPL-25	11	M5	M6	60	75			

1) Corrosion resistance class 2 as per Festo standard 940 070  
Components subject to moderate corrosion stress. Externally visible parts with primarily decorative surface requirements which are in direct contact with a normal industrial environment or media such as coolants or lubricating agents.

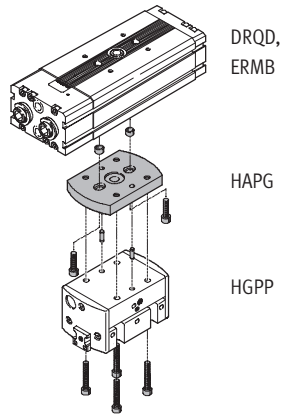
# DRQD, ERMB/HGPP connections

Technical data

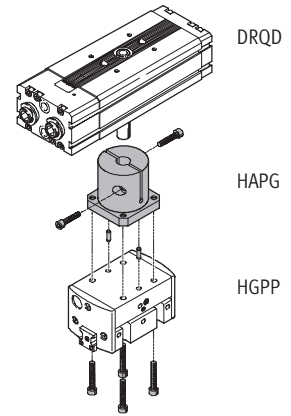


## Adapter kit HAPG

Material:  
Wrought aluminium alloy, anodised  
Centring pins/sleeves: High-alloy steel  
Free of copper, PTFE and silicone



Direct mounting  
DRQD-...-FW on flanged shaft  
ERMB-... on drive shaft



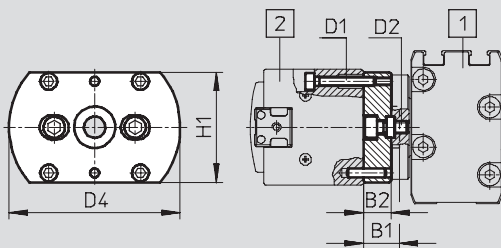
Direct mounting  
DRQD-...-ZW on spigot shaft

## Dimensions and ordering data

Download CAD data → [www.festo.com](http://www.festo.com)

Direct mounting with DRQD on flanged shaft and flanged shaft with energy through-feed SD.../E...

Direct mounting with ERMB on drive shaft



1 Drive  
2 Gripper

Drive	Gripper	B1	B2	D1	D2	D4 Ø	H1	CRC <sup>1)</sup>	Part No.	Type
DRQD-B-16-FW DRQD-B-20-FW ERMB-20	HGPP-12	11.8	9	M3	M4	56	36	2	191 255	HAPG-SD2-14
DRQD-B-20-FW ERMB-20	HGPP-16	11.8	9	M3	M4	80	40		191 256	HAPG-SD2-15
DRQD-B-25-FW ERMB-25					M6					
DRQD-B-25-FW DRQD-B-32-FW ERMB-25/-32	HGPP-20	11.8	9	M4	M6	90	46		191 257	HAPG-SD2-16
DRQD-B-16-FW DRQD-B-20-FW ERMB-20	HGPP-10	11.8	9	M3	M4	43	31		526 023	HAPG-SD2-17
DRQD-B-32-FW ERMB-32	HGPP-25	17.8	15	M5	M6	120	53		526 024	HAPG-SD2-18
DRQD-40-FW DRQD-50-FW					M8					
DRQD-40-FW DRQD-50-FW	HGPP-32	18.8	15	M5	M8	153	60		526 025	HAPG-SD2-19

1) Corrosion resistance class 2 as per Festo standard 940 070

Components subject to moderate corrosion stress. Externally visible parts with primarily decorative surface requirements which are in direct contact with a normal industrial environment or media such as coolants or lubricating agents.



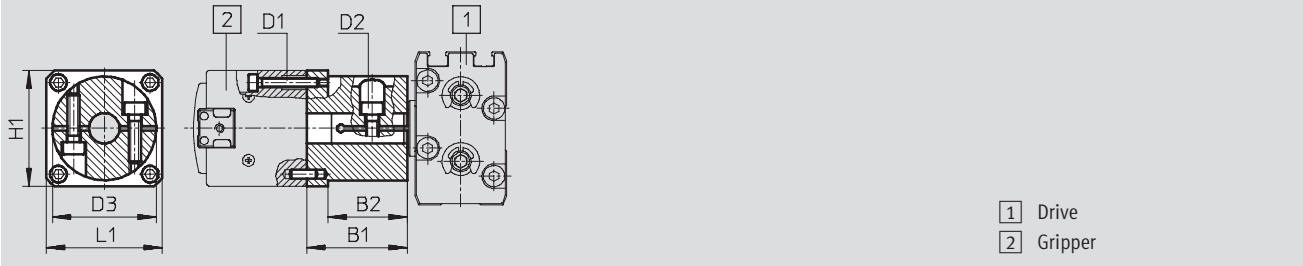
# DRQD, ERMB/HGPP connections

Technical data

## Dimensions and ordering data

Download CAD data → [www.festo.com](http://www.festo.com)

Direct mounting on spigot shaft



Drive	Gripper	B1	B2	D1	D2	D3 Ø	H1	L1	CRC <sup>1)</sup>	Part No.	Type
DRQD-B-16-ZW	HGPP-12	33	26	M3	M4	34	38	38	2	191 258	HAPG-40
DRQD-B-20-ZW	HGPP-12	41	34	M3	M5	38	38	38		191 259	HAPG-41
DRQD-B-25-ZW	HGPP-16	49	42	M3	M5	42	42	50		191 260	HAPG-42
DRQD-B-32-ZW	HGPP-20	52	42	M4	M5	45	48	48		191 261	HAPG-43

1) Corrosion resistance class 2 as per Festo standard 940 070

Components subject to moderate corrosion stress. Externally visible parts with primarily decorative surface requirements which are in direct contact with a normal industrial environment or media such as coolants or lubricating agents.

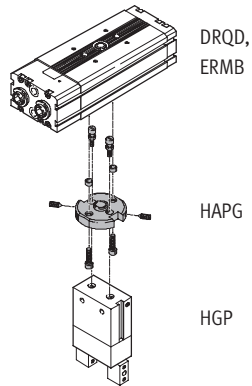
# DRQD, ERMB/HGP, HGD, HGW, HGR connections

Technical data

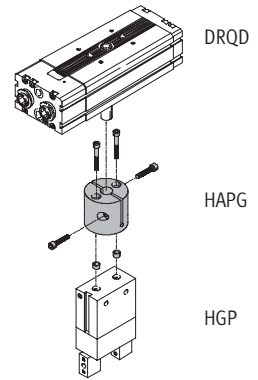
## Adapter kit DRQD-...-AS, HAPG

Material:

Wrought aluminium alloy, anodised  
Centring pins/sleeves: High-alloy steel  
Free of copper, PTFE and silicone



Direct mounting  
DRQD-...-FW on flanged shaft  
ERMB-... on drive shaft

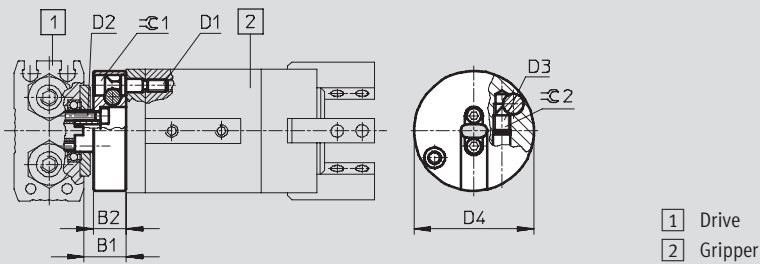


Direct mounting  
DRQD-...-ZW on spigot shaft

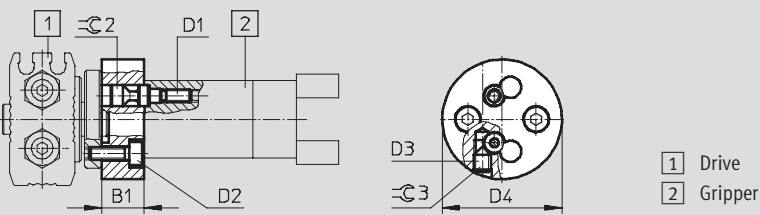
## Dimensions and ordering data

Download CAD data → [www.festo.com](http://www.festo.com)

Direct mounting on flanged shaft and flanged shaft with energy through-feed SD...  
DRQD-...-AS1/-AS2



## HAPG-34/-35



# DRQD, ERMB/HGP, HGD, HGW, HGR connections

Technical data

Drive	Gripper	B1	B2	D1	D2	D3	D4	E1	L1
Flanged shaft									
DRQD-6-...-FW	HGP-6								
DRQD-8-...-FW	HGR-10	10	-	M3	M3	M4	28	-	-
DRQD-12-...-FW	HGW-10								
DRQD-8-...-FW	HGD-16	8	-	M3	M3	M4	29	-	-
DRQD-12-...-FW									
Flanged shaft and flanged shaft with energy through-feed SD...									
DRQD-8	HGP-6								
DRQD-12	HGR-10	10.2	8	M3	M2	M4	28	-	-
	HGW-10								
DRQD-8	HGD-16	10.2	8	M3	M2	M4	29	-	-
DRQD-12									

Drive	Gripper	≈C1	≈C2	≈C3	CRC <sup>1)</sup>	Part No.	Type
Flanged shaft							
DRQD-6-...-FW	HGP-6					187 568	HAPG-34
DRQD-8-...-FW	HGR-10	2.5	2.5	2	2		
DRQD-12-...-FW	HGW-10						
DRQD-8-...-FW	HGD-16	2.5	2.5	2		187 569	HAPG-35
DRQD-12-...-FW							
Flanged shaft and flanged shaft with energy through-feed SD...							
DRQD-8	HGP-6					187 432	DRQD-8-...-AS1 <sup>2)</sup>
DRQD-12	HGR-10	2.5	2	-	2		
	HGW-10					187 433	DRQD-12-...-AS1 <sup>2)</sup>
DRQD-8	HGD-16	2.5	2	-			187 432
DRQD-12						187 433	DRQD-12-...-AS2 <sup>2)</sup>

- 1) Corrosion resistance class 2 as per Festo standard 940 070  
Components subject to moderate corrosion stress. Externally visible parts with primarily decorative surface requirements which are in direct contact with a normal industrial environment or media such as coolants or lubricating agents.
- 2) Semi-rotary drives DRQD are ordered using the modular product system with the corresponding adapter kit (code AS).

# DRQD, ERMB/HGP, HGD, HGW, HGR connections

Technical data

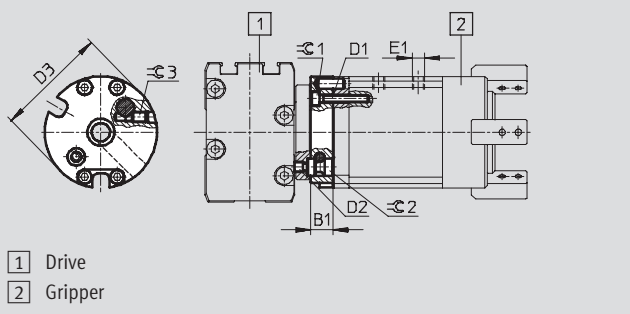
## Dimensions and ordering data

Download CAD data → [www.festo.com](http://www.festo.com)

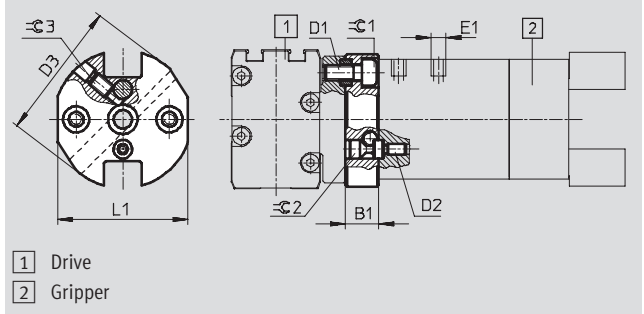
Direct mounting with DRQD on flanged shaft with energy through-feed SD...

Direct mounting with ERMB on drive shaft

HAPG-SD2-5/-8/-11/-13/-20



HAPG-SD2-1/-2/-3/-4/-6/-7/-9/-10/-12/-21



Drive	Gripper	B1	B2	D1	D2	D3	D4	E1	L1
DRQD-B-16-...-FW	HGP-6 HGR-10 HGW-10	9	-	M4	M3	34	-	M3	-
DRQD-B-16-...-FW	HGD-16	9	-	M3	M4	34	-	M3	-
DRQD-B-16-...-FW	HGP-10 HGR-16 HGW-16	9	-	M4	M3	37	-	M3	35
DRQD-B-16-...-FW	HGP-16 HGR-25 HGW-25	9	-	M4	M4	42	-	M3 M5	35
DRQD-B-20-...-FW ERMB-20	HGP-16 HGP-20 HGR-25 HGW-25	9	-	M4	M4	42	-	M3 M5	38
DRQD-B-20-...-FW ERMB-20	HGP-25 HGR-32 HGW-32	9	-	M4	M6	44	-	G $\frac{1}{8}$	38
DRQD-B-20-...-FW ERMB-20	HGD-32	9	-	M3	M4	45	-	M5	-
DRQD-B-25-...-FW ERMB-25	HGP-16 HGP-20 HGR-25 HGW-25	9	-	M6	M4	50	-	M3 M5	47
DRQD-B-25-...-FW ERMB-25	HGP-25 HGR-32 HGW-32	9	-	M6	M6	50	-	G $\frac{1}{8}$	47
DRQD-B-25-...-FW ERMB-25	HGD-50	9	-	M5	M6	70	-	G $\frac{1}{8}$	-
DRQD-B-32-...-FW ERMB-32	HGP-25 HGR-32 HGW-32	9	-	M6	M6	60	-	G $\frac{1}{8}$	58
DRQD-B-32-...-FW ERMB-32	HGP-35 HGR-40 HGW-40	9	-	M6	M8	60	-	G $\frac{1}{8}$	58
DRQD-B-32-...-FW ERMB-32	HGD-50	9	-	M5	M6	70	-	G $\frac{1}{8}$	-
DRQD-40-...-FW DRQD-50-...-FW	HGD-50	15	-	M5	M8	90	-	G $\frac{1}{8}$	-
DRQD-40-...-FW DRQD-50-...-FW	HGP-35 HGR-40 HGW-40	12	-	M8	M8	80	-	G $\frac{1}{8}$	-

# DRQD, ERMB/HGP, HGD, HGW, HGR connections

Technical data

Drive	Gripper	≈C1	≈C2	≈C3	CRC <sup>1)</sup>	Part No.	Type
DRQD-B-16-...-FW	HGP-6 HGR-10 HGW-10	3	2.5			187 566	HAPG-SD2-12
DRQD-B-16-...-FW	HGD-16	2.5	3			187 567	HAPG-SD2-13
DRQD-B-16-...-FW	HGP-10 HGR-16 HGW-16	3	2.5			184 477	HAPG-SD2-1
DRQD-B-16-...-FW	HGP-16 HGR-25 HGW-25	3	3			184 478	HAPG-SD2-2
DRQD-B-20-...-FW ERMB-20	HGP-16 HGP-20 HGR-25 HGW-25	3	3			184 479	HAPG-SD2-3
DRQD-B-20-...-FW ERMB-20	HGP-25 HGR-32 HGW-32	3	5			184 480	HAPG-SD2-4
DRQD-B-20-...-FW ERMB-20	HGD-32	2.5	3			184 481	HAPG-SD2-5
DRQD-B-25-...-FW ERMB-25	HGP-16 HGP-20 HGR-25 HGW-25	5	3	2	2	184 482	HAPG-SD2-6
DRQD-B-25-...-FW ERMB-25	HGP-25 HGR-32 HGW-32	5	5			184 483	HAPG-SD2-7
DRQD-B-25-...-FW ERMB-25	HGD-50	4	5			184 484	HAPG-SD2-8
DRQD-B-32-...-FW ERMB-32	HGP-25 HGR-32 HGW-32	5	5			184 485	HAPG-SD2-9
DRQD-B-32-...-FW ERMB-32	HGP-35 HGR-40 HGW-40	5	6			184 486	HAPG-SD2-10
DRQD-B-32-...-FW ERMB-32	HGD-50	4	5			184 487	HAPG-SD2-11
DRQD-40-...-FW DRQD-50-...-FW	HGD-50	6	6			526 026	HAPG-SD2-20
DRQD-40-...-FW DRQD-50-...-FW	HGP-35 HGR-40 HGW-40	6	6			526 027	HAPG-SD2-21

1) Corrosion resistance class 2 as per Festo standard 940 070  
 Components subject to moderate corrosion stress. Externally visible parts with primarily decorative surface requirements which are in direct contact with a normal industrial environment or media such as coolants or lubricating agents.

# DRQD, ERMB/HGP, HGD, HGW, HGR connections

Technical data

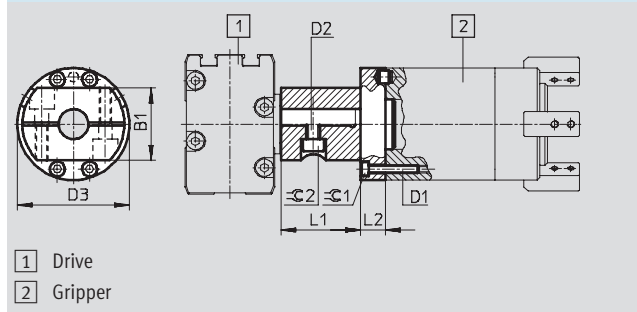
FESTO

## Dimensions and ordering data

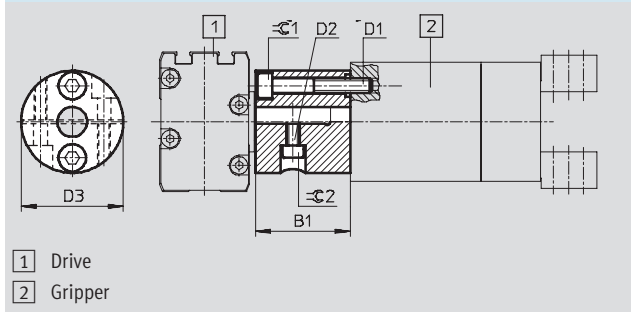
Download CAD data → [www.festo.com](http://www.festo.com)

Direct mounting on spigot shaft

HAPG-23/-24



HAPG-18/-19/-20/-21/-22



Drive	Gripper	B1	D1	D2	D3	L1	L2	≅ 1	≅ 2	CRC <sup>1)</sup>	Part No.	Type
DRQD-B-16-....ZW	HGP-10 HGR-16 HGW-16	28	M3	M4	33	-	-	2.5	3	2	163 267	HAPG-18
DRQD-B-16-....ZW	HGP-16/-20 HGR-25 HGW-25	28	M4	M4	34	-	-	3	3		163 268	HAPG-19
DRQD-B-20-....ZW	HGP-16/-20 HGR-25 HGW-25	38	M4	M5	41	-	-	3	4		163 269	HAPG-20
DRQD-B-20-....ZW	HGP-25 HGR-32 HGW-32	38	M6	M5	41	-	-	5	4		163 270	HAPG-21
DRQD-B-20-....ZW	HGD-32	29	M3	M5	45	32	10	2.5	4		163 272	HAPG-23
DRQD-B-25-....ZW	HGP-25 HGR-32 HGW-32	46	M6	M5	41	-	-	5	4		163 271	HAPG-22
DRQD-B-25-....ZW	HGD-50	29	M5	M5	70	42	12	4	4		163 273	HAPG-24

1) Corrosion resistance class 2 as per Festo standard 940 070

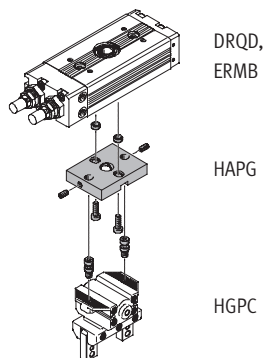
Components subject to moderate corrosion stress. Externally visible parts with primarily decorative surface requirements which are in direct contact with a normal industrial environment or media such as coolants or lubricating agents.

# DRQD, ERMB/HGPC connections

Technical data

## Adapter kit HAPG

Material:  
Wrought aluminium alloy, anodised  
Centring sleeves: High-alloy steel  
Free of copper, PTFE and silicone

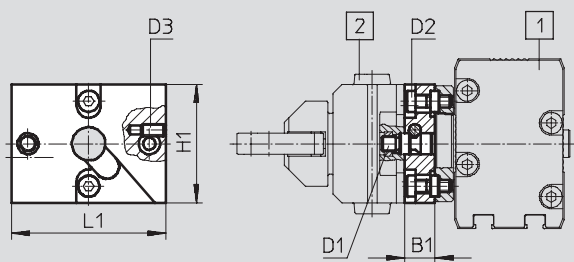


Direct mounting  
DRQD-...-FW on flanged shaft  
ERMB-... on drive shaft

## Dimensions and ordering data

Download CAD data → [www.festo.com](http://www.festo.com)

Direct mounting with DRQD on flanged shaft and flanged shaft with energy through-feed  
Direct mounting with ERMB on drive shaft



1 Drive  
2 Gripper

Drive	Gripper	B1	D1	D2	D3	H1	L1	CRC <sup>1)</sup>	Part No.	Type
Flanged shaft with energy through-feed SD...										
DRQD-12	HGPC-12	10	M4	M4	M4	32.6	42	2	542 671	HAPG-SD2-41
DRQD-B-16										
DRQD-B-16	HGPC-16	10	M5	M4	M4	39	51		542 668	HAPG-SD2-42
ERMB-20										
DRQD-B-20	HGPC-20	9	M6	M4	M4	50	65		542 669	HAPG-SD2-43
ERMB-20										
DRQD-B-25	HGPC-20	9	M6	M6	M4	50	65	542 758	HAPG-SD2-44	
ERMB-25										

1) Corrosion resistance class 2 as per Festo standard 940 070  
Components subject to moderate corrosion stress. Externally visible parts with primarily decorative surface requirements which are in direct contact with a normal industrial environment or media such as coolants or lubricating agents.

# DRQD/HGPM, HGWM connections

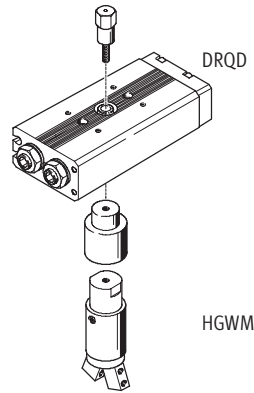
Technical data

## Adapter kit DRQD-...-A...-HS

Material:

Galvanised steel

Free of copper, PTFE and silicone

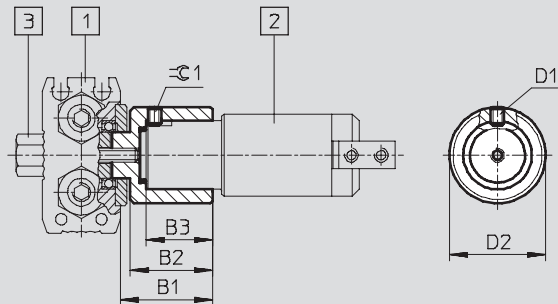


Direct mounting  
via hollow bolt

## Dimensions and ordering data

Download CAD data → [www.festo.com](http://www.festo.com)

Direct mounting via hollow bolt



- 1 Drive
- 2 Gripper
- 3 Hollow bolt

Drive	Gripper	B1	B2	B3	D1	D2	±0.1	CRC <sup>1)</sup>	Part No.	Type
DRQD-6	HGPM-08-...-G8	15.2	13	9.6	M3	16	1.5	2	187 431	DRQD-6-...-A08-HS <sup>2)</sup>
DRQD-8	HGWM-08-...-G8								187 432	DRQD-8-...-A08-HS <sup>2)</sup>
DRQD-12									187 433	DRQD-12-...-A08-HS <sup>2)</sup>
DRQD-6	HGPM-12-...-G8	20.2	18	14.6	M3	21	1.5		187 431	DRQD-6-...-A12-HS <sup>2)</sup>
DRQD-8	HGWM-12-...-G8								187 432	DRQD-8-...-A12-HS <sup>2)</sup>
DRQD-12									187 433	DRQD-12-...-A12-HS <sup>2)</sup>

1) Corrosion resistance class 2 as per Festo standard 940 070

Components subject to moderate corrosion stress. Externally visible parts with primarily decorative surface requirements which are in direct contact with a normal industrial environment or media such as coolants or lubricating agents.

2) Semi-rotary drives DRQD are ordered using the modular product system with the corresponding adapter kit (code A...) and hollow bolt (code HS).

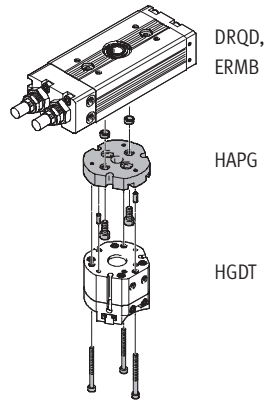


# DRQD, ERMB/HGDT connections

Technical data

## Adapter kit HAPG

Material:  
Wrought aluminium alloy, anodised  
Centring pins/sleeves: High-alloy steel  
Free of copper, PTFE and silicone

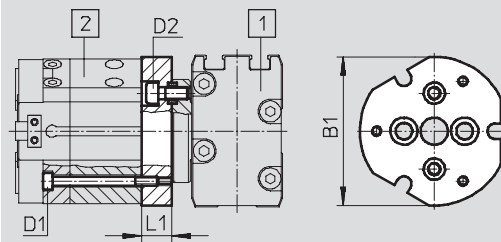


Direct mounting  
DRQD-...-FW on flanged shaft  
ERMB-... on drive shaft

## Dimensions and ordering data

Download CAD data → [www.festo.com](http://www.festo.com)

Direct mounting with DRQD on flanged shaft and flanged shaft with energy through-feed  
Direct mounting with ERMB on drive shaft



1 Drive  
2 Gripper

Drive	Gripper	B1	D1	D2	L1	CRC <sup>1)</sup>	Part No.	Type	
Flanged shaft with energy through-feed SD... and E...									
DRQD-B-16	HGDT-25	49	M3	M4	10	2	542 439	HAPG-SD2-32	
DRQD-B-20 ERMB-20	HGDT-25	49	M3	M4	10		542 440	HAPG-SD2-33	
DRQD-B-25 ERMB-25				M6			542 441	HAPG-SD2-34	
DRQD-B-20 ERMB-20	HGDT-35	58	M3	M4	10				
DRQD-B-25 ERMB-25				M6					
DRQD-B-32 ERMB-32				M6					
DRQD-B-25 DRQD-B-32 ERMB-32	HGDT-40	74	M5	M6	10			542 442	HAPG-SD2-35
DRQD-B-32 ERMB-32	HGDT-50	92	M6	M5	11.5			542 443	HAPG-SD2-36

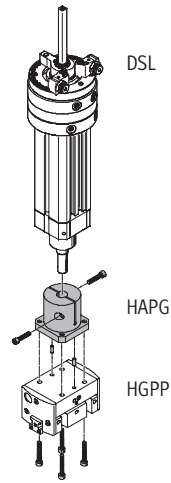
1) Corrosion resistance class 2 as per Festo standard 940 070  
Components subject to moderate corrosion stress. Externally visible parts with primarily decorative surface requirements which are in direct contact with a normal industrial environment or media such as coolants or lubricating agents.

# DSL, DSM/HGPP connections

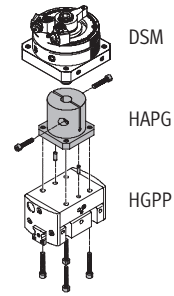
Technical data

## Adapter kit HAPG

Material:  
Wrought aluminium alloy, anodised  
Centring pins/sleeves: High-alloy steel  
Free of copper, PTFE and silicone



Direct mounting  
DSL-...-KF with spigot shaft

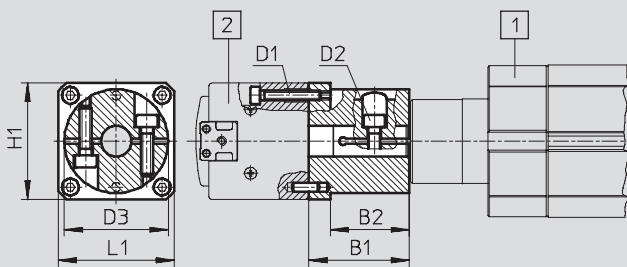


Direct mounting  
DSM with spigot shaft

## Dimensions and ordering data

Download CAD data → [www.festo.com](http://www.festo.com)

Direct mounting via spigot shaft



1 Drive  
2 Gripper

Drive	Gripper	B1	B2	D1	D2	D3 Ø	H1	L1	CRC <sup>1)</sup>	Part No.	Type
DSL-20-KF DSM-16	HGPP-12	33	26	M3	M4	3	38	38	2	191 258	HAPG-40
DSL-25-KF DSM-25	HGPP-12	41	34	M3	M5	38	38	38		191 259	HAPG-41
DSL-32-KF DSM-32	HGPP-16	49	42	M3	M5	42	42	50		191 260	HAPG-42
DSL-40-KF DSM-40	HGPP-20	52	42	M4	M5	45	48	48		191 261	HAPG-43

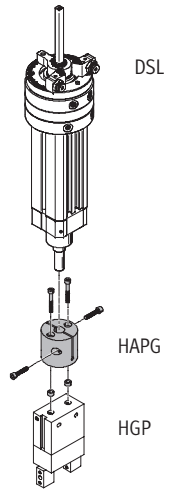
1) Corrosion resistance class 2 as per Festo standard 940 070  
Components subject to moderate corrosion stress. Externally visible parts with primarily decorative surface requirements which are in direct contact with a normal industrial environment or media such as coolants or lubricating agents.

# DSL, DSM/HGP, HGD, HGW, HGR connections

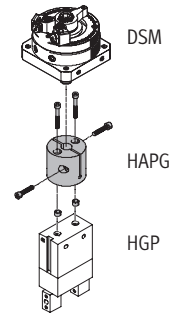
Technical data

## Adapter kit HAPG

Material:  
Wrought aluminium alloy, anodised  
Centring sleeves: High-alloy steel  
Free of copper, PTFE and silicone



Direct mounting  
DSL with spigot shaft



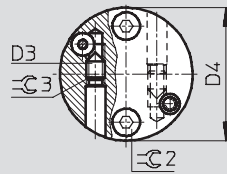
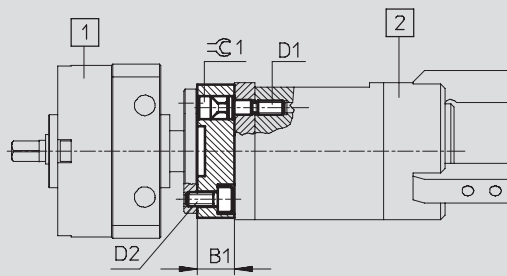
Direct mounting  
DSM with spigot shaft

## Dimensions and ordering data

Download CAD data → [www.festo.com](http://www.festo.com)

Direct mounting via flanged shaft

HAPG-34/-35 for parallel gripper HGP, three-point gripper HGD, radial gripper HGR, angle gripper HGW



- 1 Drive
- 2 Gripper

Drive	Gripper	B1	D1	D2	D3	D4	L1	L2
DSM-6/-8/-10	HGP-6 HGR-10 HGW-10	10	M3	M3	M4	28	-	-
DSM-8/-10	HGD-16	8	M3	M3	M4	29	-	-

Drive	Gripper	⌀G1	⌀G2	⌀G3	CRC <sup>1)</sup>	Part No.	Type
DSM-6/-8/-10	HGP-6 HGR-10 HGW-10	2.5	2.5	2	2	187 568	HAPG-34
DSM-8/-10	HGD-16	2.5	2.5	2		187 569	HAPG-35

1) Corrosion resistance class 2 as per Festo standard 940 070

Components subject to moderate corrosion stress. Externally visible parts with primarily decorative surface requirements which are in direct contact with a normal industrial environment or media such as coolants or lubricating agents.

# DSL, DSM/HGD, HGP, HGW, HGR connections

Technical data

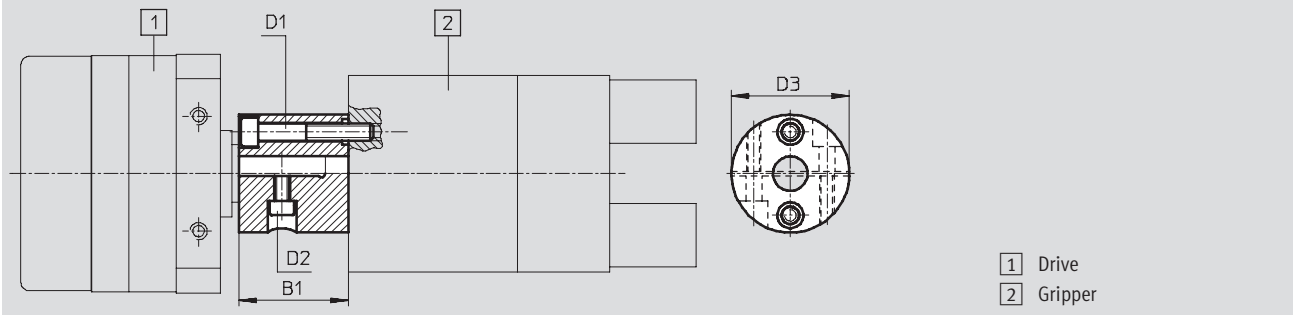
FESTO

## Dimensions and ordering data

Download CAD data → [www.festo.com](http://www.festo.com)

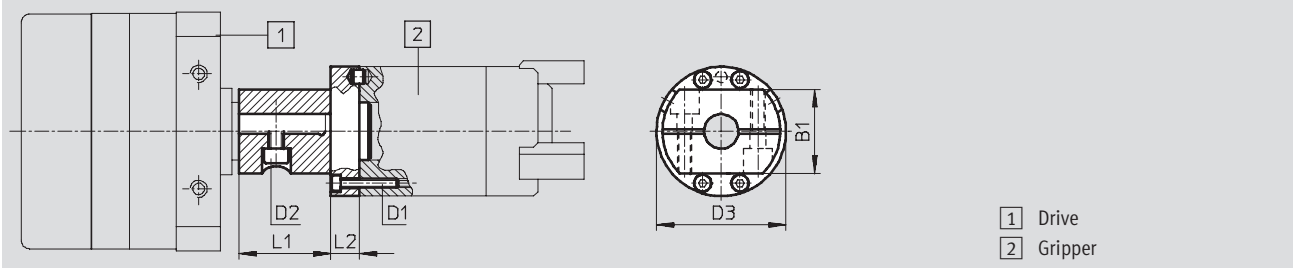
Direct mounting via spigot shaft

HAPG-17 ... 22 for parallel gripper HGP, radial gripper HGR, angle gripper HGW



Direct mounting via spigot shaft

HAPG-23/-24 for three-point gripper HGD



Drive	Gripper	B1	D1	D2	D3	D4	L1	L2	≡C1	≡C2	≡C3	CRC <sup>1)</sup>	Part No.	Type
DSM-12 DSL-16	HGP-10 HGR-16 HGW-16	27	M3	M3	24	-	-	-	2.5	2.5	-	2	163 266	HAPG-17
DSM-16 DSL-20	HGP-10 HGR-16 HGW-16	28	M3	M4	33	-	-	-	2.5	3	-		163 267	HAPG-18
DSM-16 DSL-20	HGP-16 HGP-20 HGR-25 HGW-25	28	M4	M4	34	-	-	-	3	3	-		163 268	HAPG-19
DSM-25 DSL-25	HGP-16 HGP-20 HGR-25 HGW-25	38	M4	M5	41	-	-	-	3	4	-		163 269	HAPG-20
DSM-25 DSL-25	HGP-25 HGR-32 HGW-32	38	M6	M5	41	-	-	-	5	4	-		163 270	HAPG-21
DSM-32 DSL-32	HGP-25 HGR-32 HGW-32	46	M6	M5	41	-	-	-	5	4	-		163 271	HAPG-22
DSM-25 DSL-25	HGD-32	29	M3	M5	45	-	32	10	2.5	4	-		163 272	HAPG-23
DSM-32 DSL-32	HGD-50	29	M5	M5	70	-	42	12	4	4	-		163 273	HAPG-24

1) Corrosion resistance class 2 as per Festo standard 940 070

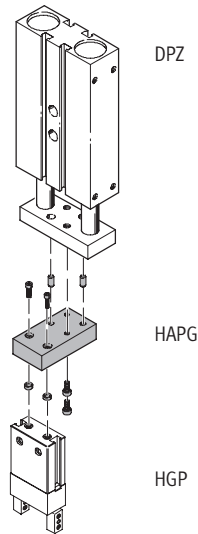
Components subject to moderate corrosion stress. Externally visible parts with primarily decorative surface requirements which are in direct contact with a normal industrial environment or media such as coolants or lubricating agents.

# DPZ/HGP, HGW, HGR connections

Technical data

## Adapter kit HAPG

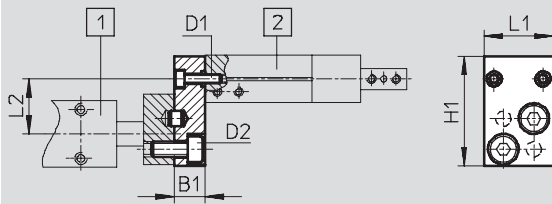
Material:  
Wrought aluminium alloy, anodised  
Centring pins/sleeves: High-alloy steel  
Free of copper, PTFE and silicone



## Dimensions and ordering data

Download CAD data → [www.festo.com](http://www.festo.com)

HAPG-1/-2



- 1 Drive
- 2 Gripper

Drive	Gripper	B1	D1	D2	H1	L1	L2	CRC <sup>1)</sup>	Part No.	Type
DPZ-10 DPZ-16 DPZJ-10 DPZJ-16	HGP-10 HGR-16 HGW-16	10	M3	M5	36	22.6	18	2	163 250	HAPG-1
DPZ-16 DPZJ-16	HGP-16 HGP-20 HGR-25 HGW-25	10	M4	M5	36	34.6	18			

1) Corrosion resistance class 2 as per Festo standard 940 070  
Components subject to moderate corrosion stress. Externally visible parts with primarily decorative surface requirements which are in direct contact with a normal industrial environment or media such as coolants or lubricating agents.

# DPZ/HGP, HGW, HGR connections

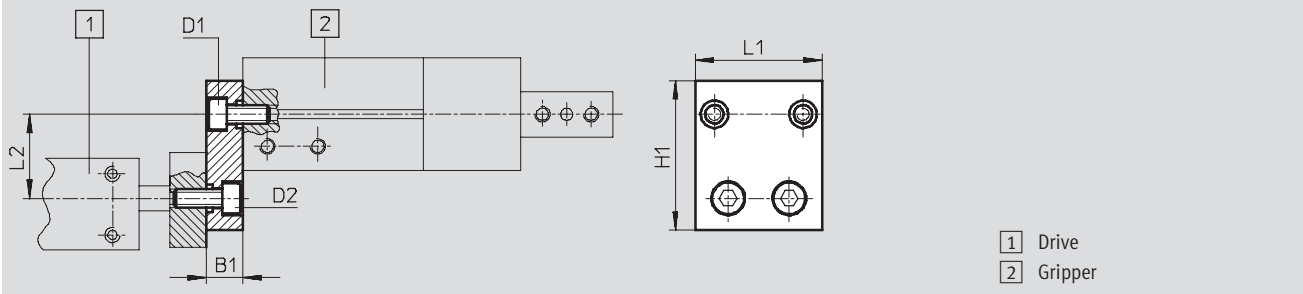
Technical data

FESTO

## Dimensions and ordering data

Download CAD data → [www.festo.com](http://www.festo.com)

HAPG-3/-4



Drive	Gripper	B1	D1	D2	H1	L1	L2	CRC <sup>1)</sup>	Part No.	Type
DPZ-20 DPZJ-20	HGP-16 HGP-20 HGR-25 HGW-25	12	M4	M6	37	34.6	19	2	163 252	HAPG-3
DPZ-25 DPZ-32 DPZJ-25 DPZJ-32	HGP-25 HGR-32 HGW-32	12	M6	M6	49	41.5	27.5			

1) Corrosion resistance class 2 as per Festo standard 940 070

Components subject to moderate corrosion stress. Externally visible parts with primarily decorative surface requirements which are in direct contact with a normal industrial environment or media such as coolants or lubricating agents.

# Product Range and Company Overview

## A Complete Suite of Automation Services

Our experienced engineers provide complete support at every stage of your development process, including: conceptualization, analysis, engineering, design, assembly, documentation, validation, and production.



**Custom Automation Components**  
Complete custom engineered solutions



**Custom Control Cabinets**  
Comprehensive engineering support and on-site services



**Complete Systems**  
Shipment, stocking and storage services

## The Broadest Range of Automation Components

With a comprehensive line of more than 30,000 automation components, Festo is capable of solving the most complex automation requirements.



**Electromechanical**  
Electromechanical actuators, motors, controllers & drives



**Pneumatics**  
Pneumatic linear and rotary actuators, valves, and air supply



**PLCs and I/O Devices**  
PLC's, operator interfaces, sensors and I/O devices

## Supporting Advanced Automation... As No One Else Can!

Festo is a leading global manufacturer of pneumatic and electromechanical systems, components and controls for industrial automation, with more than 12,000 employees in 56 national headquarters serving more than 180 countries. For more than 80 years, Festo has continuously elevated the state of manufacturing with innovations and optimized motion control solutions that deliver higher performing, more profitable automated manufacturing and processing equipment. Our dedication to the advancement of automation extends beyond technology to the education and development of current and future automation and robotics designers with simulation tools, teaching programs, and on-site services.

## Quality Assurance, ISO 9001 and ISO 14001 Certifications

Festo Corporation is committed to supply all Festo products and services that will meet or exceed our customers' requirements in product quality, delivery, customer service and satisfaction.

To meet this commitment, we strive to ensure a consistent, integrated, and systematic approach to management that will meet or exceed the requirements of the ISO 9001 standard for Quality Management and the ISO 14001 standard for Environmental Management.



© Copyright 2008, Festo Corporation. While every effort is made to ensure that all dimensions and specifications are correct, Festo cannot guarantee that publications are completely free of any error, in particular typing or printing errors. Accordingly, Festo cannot be held responsible for the same. For Liability and Warranty conditions, refer to our "Terms and Conditions of Sale", available from your local Festo office. All rights reserved. No part of this publication may be reproduced, distributed, or transmitted in any form or by any means, electronic, mechanical, photocopying or otherwise, without the prior written permission of Festo. All technical data subject to change according to technical update.



Printed on recycled paper at New Horizon Graphic, Inc., FSC certified as an environmentally friendly printing plant.

# Festo North America

## Festo Regional Contact Center

5300 Explorer Drive  
Mississauga, Ontario L4W 5G4  
Canada

### USA Customers:

For ordering assistance,

**Call:** 1.800.99.FESTO (1.800.993.3786)

**Fax:** 1.800.96.FESTO (1.800.963.3786)

**Email:** [customer.service@us.festo.com](mailto:customer.service@us.festo.com)

For technical support,

**Call:** 1.866.GO.FESTO (1.866.463.3786)

**Fax:** 1.800.96.FESTO (1.800.963.3786)

**Email:** [product.support@us.festo.com](mailto:product.support@us.festo.com)

### Canadian Customers:

**Call:** 1.877.GO.FESTO (1.877.463.3786)

**Fax:** 1.877.FX.FESTO (1.877.393.3786)

**Email:** [festo.canada@ca.festo.com](mailto:festo.canada@ca.festo.com)

---

## USA Headquarters

Festo Corporation  
395 Moreland Road  
P.O. Box 18023  
Hauppauge, NY 11788, USA  
[www.festo.com/us](http://www.festo.com/us)

---

## USA Sales Offices

### Appleton

North 922 Tower View Drive, Suite N  
Greenville, WI 54942, USA

### Boston

120 Presidential Way, Suite 330  
Woburn, MA 01801, USA

### Chicago

1441 East Business Center Drive  
Mt. Prospect, IL 60056, USA

### Dallas

1825 Lakeway Drive, Suite 600  
Lewisville, TX 75057, USA

### Detroit – Automotive Engineering Center

2601 Cambridge Court, Suite 320  
Auburn Hills, MI 48326, USA

### New York

395 Moreland Road  
Hauppauge, NY 11788, USA

### Silicon Valley

4935 Southfront Road, Suite F  
Livermore, CA 94550, USA

## United States



**USA Headquarters, East:** Festo Corp., 395 Moreland Road, Hauppauge, NY 11788

Phone: 1.631.435.0800; Fax: 1.631.435.8026;

Email: [info@festo-usa.com](mailto:info@festo-usa.com)

[www.festo.com/us](http://www.festo.com/us)

## Canada



**Headquarters:** Festo Inc., 5300 Explorer Drive, Mississauga, Ontario L4W 5G4

Phone: 1.905.624.9000; Fax: 1.905.624.9001;

Email: [festo.canada@ca.festo.com](mailto:festo.canada@ca.festo.com)

[www.festo.ca](http://www.festo.ca)

## Mexico



**Headquarters:** Festo Pneumatic, S.A., Av. Ceylán 3, Col. Tequesquahuac,  
54020 Tlalneantla, Edo. de México

Phone: 011 52 [55] 53 21 66 00; Fax: 011 52 [55] 53 21 66 65;

Email: [festo.mexico@mx.festo.com](mailto:festo.mexico@mx.festo.com)

[www.festo.com/mx](http://www.festo.com/mx)

---

## Central USA

Festo Corporation  
1441 East Business  
Center Drive  
Mt. Prospect, IL 60056, USA  
Phone: 1.847.759.2600  
Fax: 1.847.768.9480



## Western USA

Festo Corporation  
4935 Southfront Road,  
Suite F  
Livermore, CA 94550, USA  
Phone: 1.925.371.1099  
Fax: 1.925.245.1286



---

## Festo Worldwide

Argentina Australia Austria Belarus Belgium Brazil Bulgaria Canada Chile China Colombia Croatia Czech Republic Denmark  
Estonia Finland France Germany Great Britain Greece Hong Kong Hungary India Indonesia Iran Ireland Israel Italy Japan Latvia  
Lithuania Malaysia Mexico Netherlands New Zealand Norway Peru Philippines Poland Romania Russia Serbia Singapore  
Slovakia Slovenia South Africa South Korea Spain Sweden Switzerland Taiwan Thailand Turkey Ukraine United States Venezuela

[www.festo.com](http://www.festo.com)