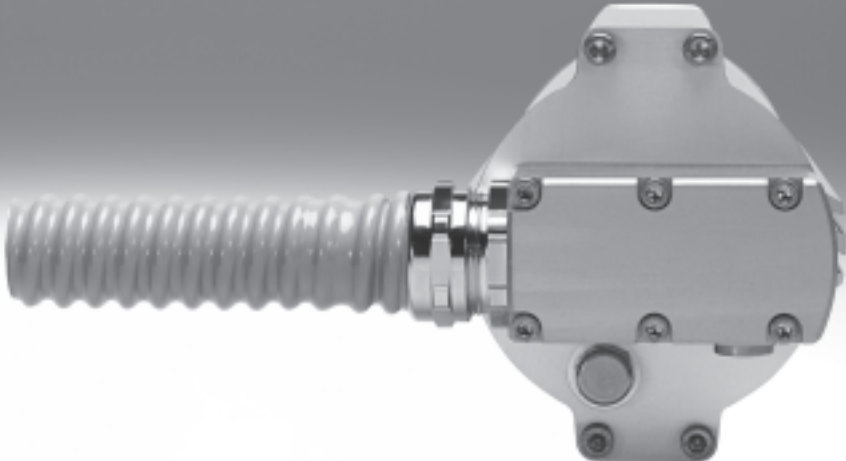


Linear actuators DFPI



Linear actuators DFPI

Key features

FESTO

General information

- Linear actuator for actuating process valves such as gate valves and shut-off valves, for example, in process automation systems
- Linear actuator with integrated displacement encoder (potentiometer)
- Product versions with integrated position controller and valve block available (DFPI-...-C1V-...). With this product version, the integrated position controller checks the position of the piston rod within the available stroke range. This actuator has a factory-defined safety position that is assumed if the operating voltage or the analogue setpoint value fails. Positions are specified via an analogue setpoint signal (4 ... 20 mA), for example via a master PLC/IPC or manually on-site via an external setpoint generator. The travel speed can be influenced using the integrated flow control screws
- With the P-connection type, the electrical and pneumatic connections are well protected from outside mechanical influences by a sturdy flanged socket
- With the ND2P-E-P variant, the displacement encoder supplies an analogue signal proportional to the displacement in the form of a voltage (voltage divider) that can then, for example, be processed further in an external position controller

Sturdy

- Sturdy and compact housing with high degree of IP protection
- Ideal for exterior use thanks to high corrosion resistance
- Product designs with integrated position controller have a pressure compensation component that prevents the formation of condensate inside the housing in the event of temperature fluctuations and in this way protects the internal electronics from damage

Simple

- Easy integration into an existing control architecture
- Commissioning of product designs with integrated position controller is as fast and easy as for product designs without integrated controller thanks to self-initialisation

Individual

- Product variants with and without position controller and valve block available
- Proximity sensors can be installed in the available slots if necessary for additional binary sensing of positions

Versatile

Suitable for use in:

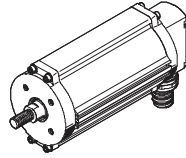
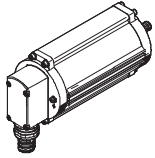
- water processing systems
- sewage treatment systems
- service water systems
- process water systems
- silo and bulk goods systems

Linear actuators DFPI

Key features

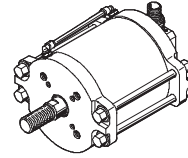
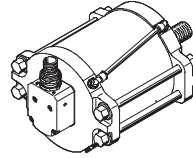
Variant ND2P-E-P

Piston \varnothing 100 ... 160



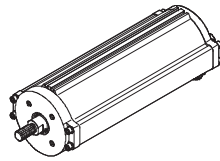
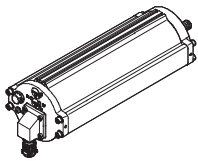
DFPI with integrated displacement encoder

Piston \varnothing 200 ... 320



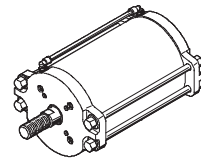
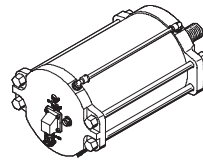
Variant ND2P-C1V

Piston \varnothing 100 ... 160



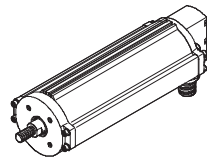
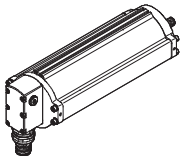
DFPI with integrated displacement encoder, position controller and valve block

Piston \varnothing 200 ... 320



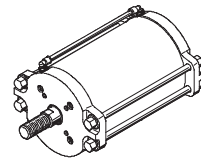
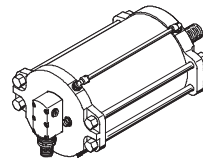
Variant ND2P-C1V-P

Piston \varnothing 100 ... 160



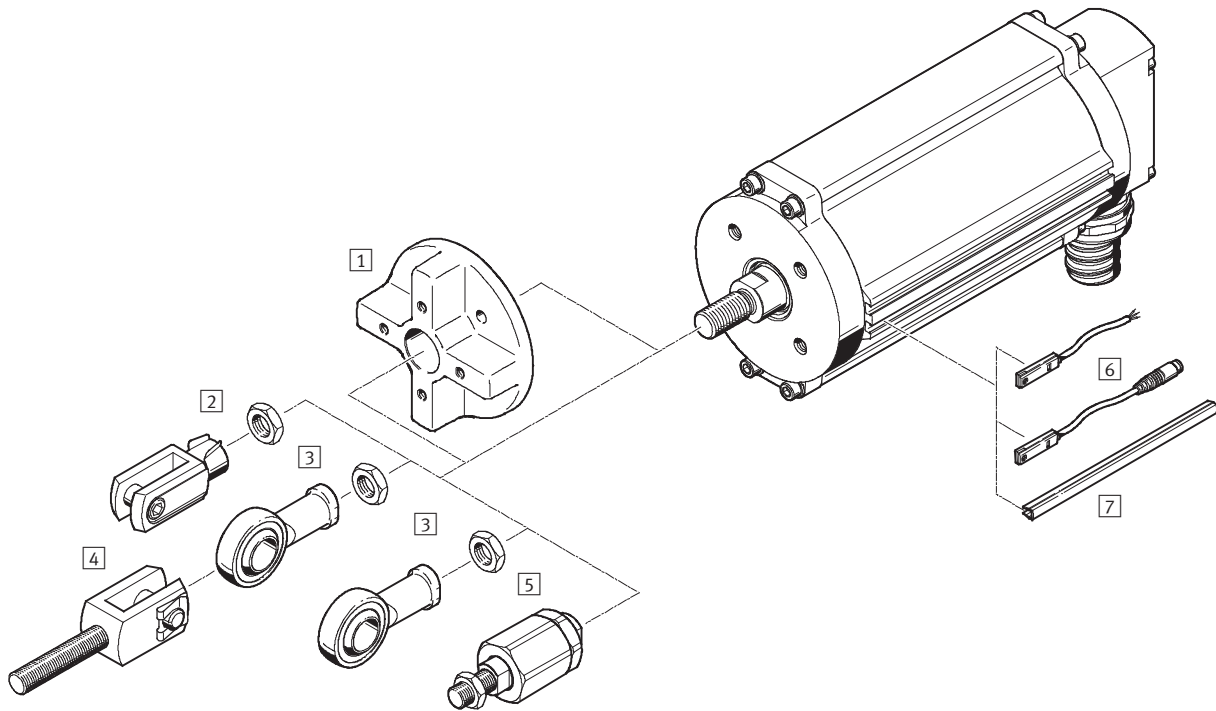
DFPI with integrated displacement encoder, position controller and valve block, with protected pneumatic connections

Piston \varnothing 200 ... 320



Linear actuators DFPI-ND2P-E-P

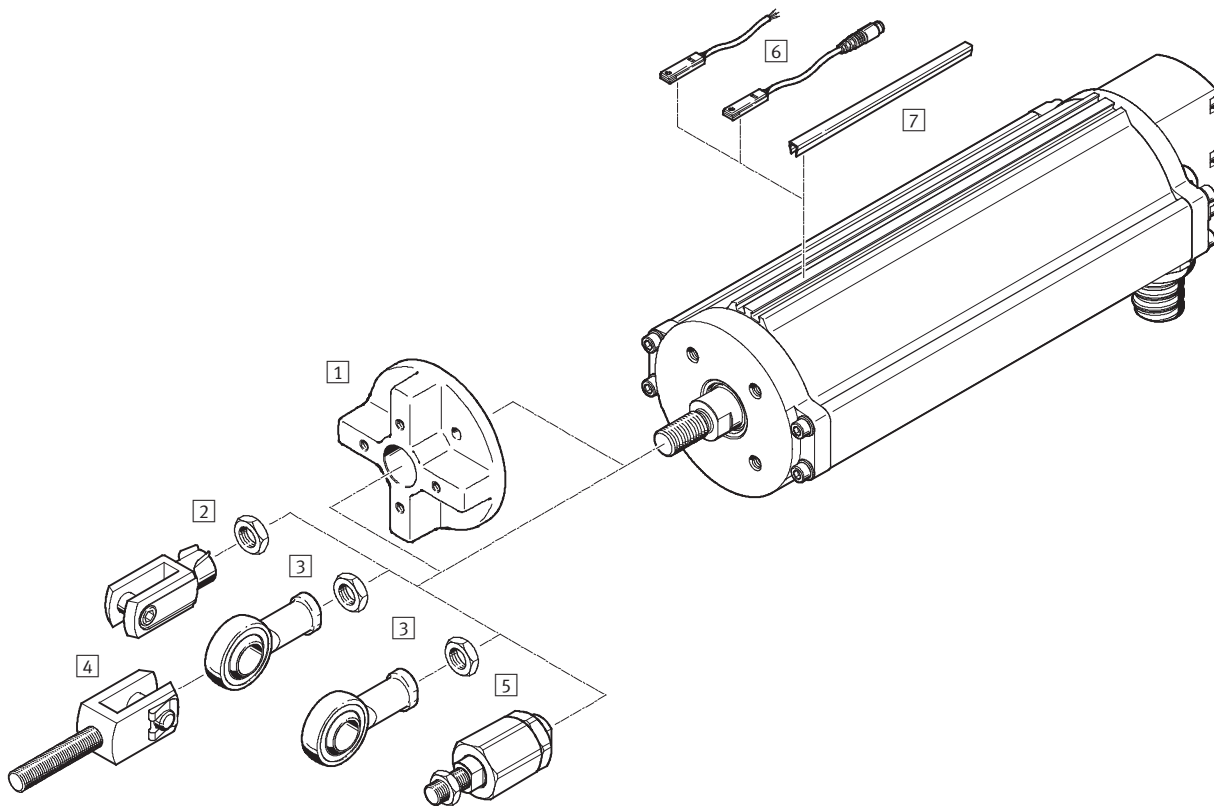
Peripherals overview – DFPI with integrated displacement encoder



Mounting attachments and accessories			
	Brief description	→ Page/Internet	
1	Adapter DAPZ-FA	For mounting on gate valve actuator with interface to DIN 3358	17
2	Rod clevis SG	Enables a simple connection between the piston rod and slide plate	17
	Rod clevis, stainless steel CRSG		17
3	Rod eye SGS	With spherical bearing	17
	Rod eye, stainless steel CRSGS		17
4	Rod clevis SGA	With male thread	17
5	Self-aligning rod coupler FK	For compensating radial and angular deviations	17
6	Proximity sensor SMT-8F-I	Magneto-inductive, Namur, EU-compliant to directive 94/9/EC (ATEX)	18
	Proximity sensor SMT-8	Magneto-resistive, can be integrated in the cylinder profile barrel	18
	Proximity sensor SME-8	Magnetic reed, can be integrated in the cylinder profile barrel	18
7	Slot cover ABP-5-S	To protect the sensor cables and slots from dirt	19

Linear actuators DFPI-ND2P-C1V

Peripherals overview – DFPI with integrated displacement encoder, position controller and valve block



Mounting attachments and accessories		
	Brief description	→ Page/Internet
1	Adapter DAPZ-FA For mounting on gate valve actuator with interface to DIN 3358	17
2	Rod clevis SG	17
	Rod clevis, stainless steel CRSG	17
3	Rod eye SGS	17
	Rod eye, stainless steel CRSGS	17
4	Rod clevis SGA With male thread	17
5	Self-aligning rod coupler FK For compensating radial and angular deviations	17
6	Proximity sensor SMT-8F-I Magneto-inductive, Namur, EU-compliant to directive 94/9/EC (ATEX)	18
	Proximity sensor SMT-8 Magneto-resistive, can be integrated in the cylinder profile barrel	18
	Proximity sensor SME-8 Magnetic reed, can be integrated in the cylinder profile barrel	18
7	Slot cover ABP-5-S To protect the sensor cables and slots from dirt	19

Linear actuators DFPI

Type codes

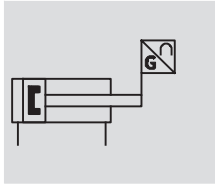
		DFPI	-	100	-	100		-	N	D2	P	-	C1		V	-	P	-	
Type																			
DFPI	Double-acting pneumatic actuator for process automation, with integrated displacement encoder																		
Piston Ø																			
100	100 mm																		
125	125 mm																		
160	160 mm																		
200	200 mm																		
250	250 mm																		
320	320 mm																		
Stroke																			
	x length [40 ... 990 mm]																		
Function																			
-	Double-acting																		
Cushioning																			
N	No cushioning																		
Displacement encoder																			
D2	Analogue																		
Method of measurement																			
P	Potentiometer																		
Controller																			
-	Not specified																		
C1	Controller 1																		
Attachment position of controller																			
-	Integrated																		
E	External																		
Directional control valve																			
-	Not specified																		
V	Integrated																		
Connection type																			
-	Not specified																		
P	Protected																		
Safety setting																			
-	Piston rod advancing																		

Linear actuators DFPI-ND2P-E-P

FESTO

Technical data

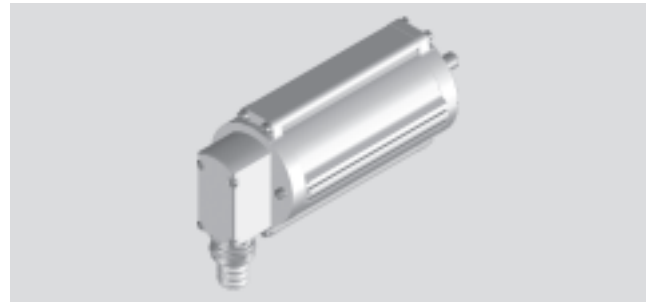
Function



-N- Piston Ø
100 ... 320 mm

-T- Stroke length
40 ... 990 mm

Force
4,417 ... 48,255 N



General technical data						
Piston Ø	100	125	160	200	250	320
Based on standard (connection to process valve)	DIN 3358					
Type of mounting	On flange to DIN 3358					
Flange hole pattern	F07	F10	F10, F14			
Pneumatic connection	With standard O.D. for tubing O.D. 8 mm					
Constructional design	Piston rod, cylinder barrel					
Cushioning	None					
Mounting position	Any					
Mode of operation	Double-acting					
Measuring principle of displacement encoder	Potentiometer					
Position sensing	Via proximity sensor, with integrated displacement encoder					
Stroke length [mm]	40 ... 990					
Stroke reserve [mm]	3			4		
Max. tubing length [m]	30					
Continuous shock resistance to DIN/IEC 68 Part 2-82	Tested in accordance with severity class 2					
Vibration resistance to DIN/IEC 68 Part 2-6	Tested in accordance with severity class 2					
Max. operating voltage [V DC]	15					
Electrical connection	Straight plug, 3-pin screw terminal					

Operating and environmental conditions	
Operating pressure [bar]	3 ... 8
Nominal operating pressure [bar]	6
Operating medium	Filtered compressed air, grade of filtration 40 µm, lubricated or unlubricated
Exterior use	C1 – weather-protected areas
Ambient temperature [°C]	-20 ... +60
Corrosion resistance class CRC ¹⁾	3
Relative air humidity [%]	5 ... 95 condensing
Protection class	IP65, IP67 in assembled state to IEC 60529; IP69K, NEMA 4 in assembled state
CE mark (see declaration of conformity) → www.festo.com	EU EMC directive EU explosion protection directive (ATEX)
ATEX category for gas	II 2G
Ex ignition protection type for gas	c T4X
ATEX category for dust	II 2D
Ex ignition protection type for dust	cT 120°CX
EX ambient temperature ¹⁾	-20°C ≤ Ta ≤ +60°C

1) Corrosion resistance class 3 as per Festo standard 940 070
Components subject to higher corrosion stress. Externally visible parts with primarily decorative surface requirements which are in direct contact with a normal industrial environment or media such as solvents and cleaning agents.

Linear actuators DFPI-ND2P-E-P

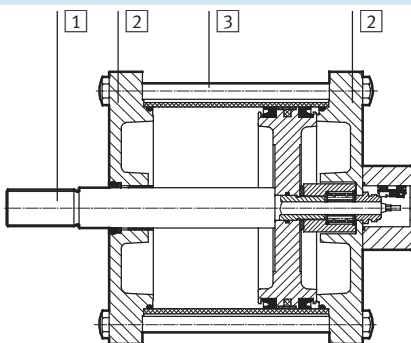
Technical data

Forces [N] and air consumption [l]						
Piston Ø	100	125	160	200	250	320
Theoretical force at 6 bar, advancing	4,712	7,363	12,064	18,850	29,452	48,255
Theoretical force at 6 bar, retracting	4,417	6,881	11,581	18,080	28,698	47,501
Theoretical air consumption with 10 mm stroke, sliding	0.5498	0.8590	1.4074	2.119	3.4361	5.6297
Theoretical air consumption with 10 mm stroke, pushing	0.5153	0.8027	1.3511	2.111	3.3482	5.5418

Weight						
Piston Ø	100	125	160	200	250	320
Basic weight with 0 mm stroke [g]	3,476	5,530	6,529	13,946	22,569	35,359
Additional moving load per 10 mm stroke [g]	27	52	52	87	87	87
Moving load with 0 mm stroke [g]	1,228	1,944	2,250	4,722	7,059	11,417
Additional weight per 10 mm stroke [g]	80	145	159	187	325	399
Additional weight of displacement encoder per 10 mm stroke [g]	2					

Materials

Sectional view



Linear actuators		
1	Piston rod	High-alloy stainless steel
2	Top cap (end cap)	Piston Ø 100, 125, 320 Wrought aluminium alloy, anodised
	Bottom cap (bearing cap)	Piston Ø 160 ... 250 Die-cast aluminium, painted
3	Cylinder barrel	Piston Ø 100 ... 200 Wrought aluminium alloy, anodised
		Piston Ø 250 ... 320 High-alloy stainless steel
-	Screws	Piston Ø 100, 200, 250, 320 High-alloy stainless steel
-	Seals	Piston Ø 125, 160 Steel
-	Note on materials	Nitrile rubber
-		Contains paint-wetting impairment substances, RoHS-compliant

Linear actuators DFPI-ND2P-E-P

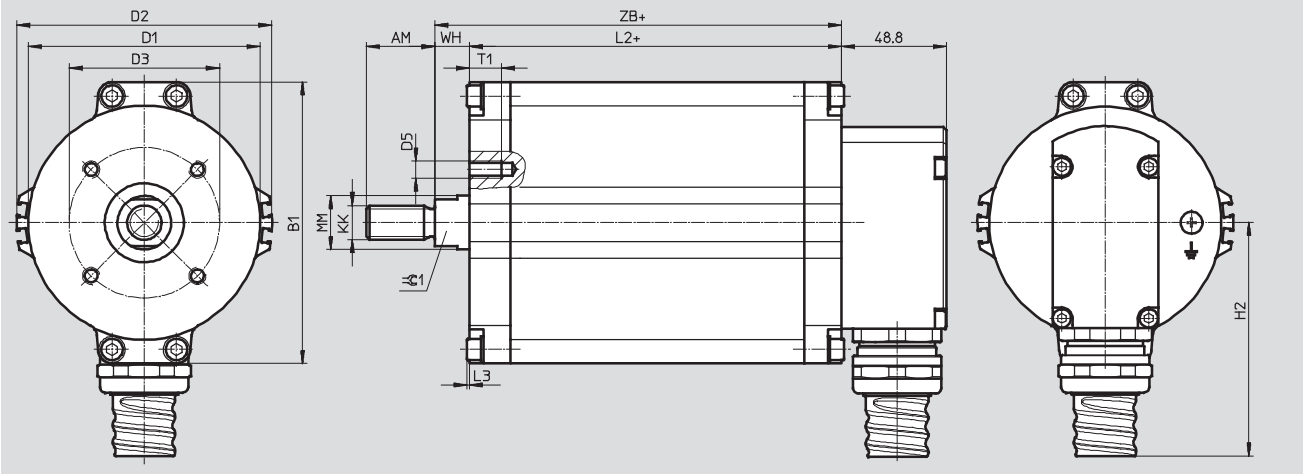
Technical data



Dimensions

Download CAD Data → www.festo.com/us/cad

Piston Ø 100 ... 160



Piston Ø	AM	B1	D1	D2	D3	D5	H2	KK	L2	L3	MM	T1	WH	ZB	⊖C1
[mm]	-2	Ø	Ø	Ø						min.	Ø				
DFPI-100	32	131	108	119	70	M8	109	M16x1.5	118.5	0.7	25	15	16	134.5	22
DFPI-125	54	163	135	147	102	M10	112	M27x2	119	-	32	18	24	143	27
DFPI-160		199	170	182			131		126.5					150.5	

Linear actuators DFPI-ND2P-E-P

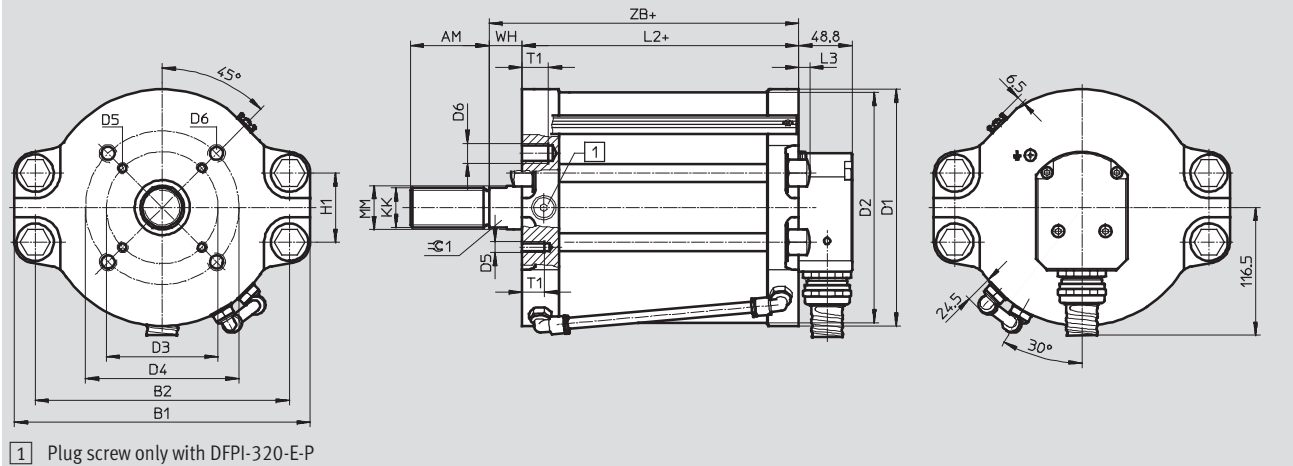
Technical data

FESTO

Dimensions

Download CAD Data → www.festo.com/us/cad

Piston Ø 200 ... 320



Piston Ø	AM	B1	B2	D1	D2	D3	D4	D5	D6	H1
[mm]	-2			Ø	Ø min.	Ø	Ø			
DFPI-200	72	270	232	216	210	102	140	M10	M16	63
DFPI-250		308	268	260	254					82
DFPI-320		378	338	332	325					126

Piston Ø	KK	L2	L3	MM	T1	T2	WH	ZB	≈C1
[mm]			min.	Ø	min.				
DFPI-200	M36x2	152.5	10	40	24	20	30	182.5	36
DFPI-250		152.2	25		25			182.2	
DFPI-320		159.2	13		25			189.2	

Ordering data

Type	Piston Ø [mm]	Part No.	Type
	100	562 478	DFPI-100-...-ND2P-E-P
	125	562 479	DFPI-125-...-ND2P-E-P
	160	562 480	DFPI-160-...-ND2P-E-P
	200	564 831	DFPI-200-...-ND2P-E-P
	250	564 832	DFPI-250-...-ND2P-E-P
	320	564 833	DFPI-320-...-ND2P-E-P

Note

Stroke length of the actuator

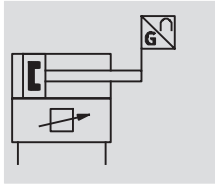
The stroke length of the actuator should generally at least correspond to the nominal diameter of the process valve so that the process valve can be fully opened and closed. The system tolerances can lead to

a greater stroke range than the specified nominal stroke range of the linear actuator. The adjustable rod clevis enables adjustment of the system.

Linear actuators DFPI-ND2P-C1V

Technical data

Function



-T- Stroke length
40 ... 990 mm

Force
4,417 ... 48,255 N



-N- Piston Ø
100 ... 320 mm

General technical data						
Piston Ø	100	125	160	200	250	320
Based on standard (connection to process valve)	DIN 3358					
Type of mounting	On flange to DIN 3358					
Flange hole pattern	F07	F10	F10, F14			
Constructional design	Piston rod, cylinder barrel					
Cushioning	None					
Mounting position	Any					
Mode of operation	Double-acting					
Position sensing	Via proximity sensor, with integrated displacement encoder					
Measuring principle of displacement encoder	Potentiometer					
Pneumatic connection						
DFPI-...-...-ND2P-C1V	G¼					
DFPI-...-...-ND2P-C1V-P	Standard O.D. for tubing O.D. 8 mm					
Stroke [mm]	40 ... 990					
Stroke reserve [mm]	3				4	
Max. line length [m]	30					
Vibration resistance to DIN/IEC 68 Part 2-6	Tested in accordance with severity class 2					
Continuous shock resistance to DIN/IEC 68 Part 2-82	Tested in accordance with severity class 2					
Electrical connection	Straight plug, 5-pin screw terminal					
Protection against polarity reversal	For operating voltage, setpoint value, initialisation connection					

Linear actuators DFPI-ND2P-C1V

Technical data

Operating and environmental conditions	
Operating pressure [bar]	3 ... 8
Nominal operating pressure [bar]	6
Operating voltage range [V DC]	21.6 ... 26.4
Nominal operating voltage [V DC]	24
Operating medium	Filtered compressed air, grade of filtration 40 µm, lubricated/unlubricated
Use in exterior	C1 – weather-protected areas
Protection class	IP65, IP67 in assembled state to IEC 60529; IP69K, NEMA 4 in assembled state
Ambient temperature [°C]	-5 ... +50
Corrosion resistance class CRC ¹⁾	3
Relative air humidity [%]	5 ... 95 condensing
CE mark (see declaration of conformity) ➔ www.festo.com	To EU EMC directive
ATEX category for gas	II 3G
Ex ignition protection type for gas	Ex nA II T4X
ATEX category for dust	II 3D
Ex ignition protection type for dust	Ex tD A22 IP65/67/69k T120°CX
EX ambient temperature ¹⁾	-5°C ≤ Ta ≤ +50°C

1) Corrosion resistance class 3 as per Festo standard 940 070

Components subject to higher corrosion stress. Externally visible parts with primarily decorative surface requirements which are in direct contact with a normal industrial environment or media such as solvents and cleaning agents.

Forces [N] and air consumption [l]						
Piston Ø	100	125	160	200	250	320
Theoretical force at 6 bar, advancing	4,712	7,363	12,064	18,850	29,452	48,255
Theoretical force at 6 bar, retracting	4,417	6,881	11,581	18,080	28,698	47,501
Theoretical air consumption with 10 mm stroke, sliding	0.5498	0.8590	1.4074	2.119	3.4361	5.6297
Theoretical air consumption with 10 mm stroke, pushing	0.5153	0.8027	1.3511	2.111	3.3482	5.5418

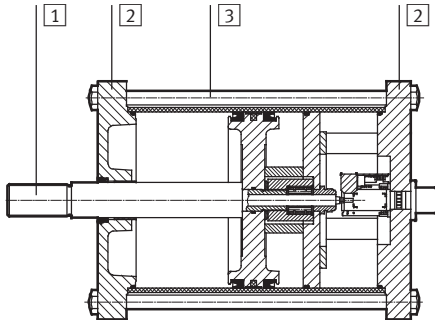
Linear actuators DFPI-ND2P-C1V

Technical data

Weight						
Piston Ø	100	125	160	200	250	320
Basic weight with 0 mm stroke						
DFPI-...-...-ND2P-C1V [g]	4,671	7,693	9,099	18,358	29,956	45,200
DFPI-...-...-ND2P-C1V-P [g]	5,237	8,259	9,665	18,924	30,522	45,766
Moving load with 0 mm stroke [g]	1,228	1,944	2,250	4,722	7,059	11,417
Additional weight per 10 mm stroke [g]	80	145	159	187	325	399
Additional weight of moving load per 10 mm stroke [g]	27	52	52	87	87	87
Additional weight of displacement encoder per 10 mm stroke [g]	2					
Size of the dead zone [%]	2					

Materials

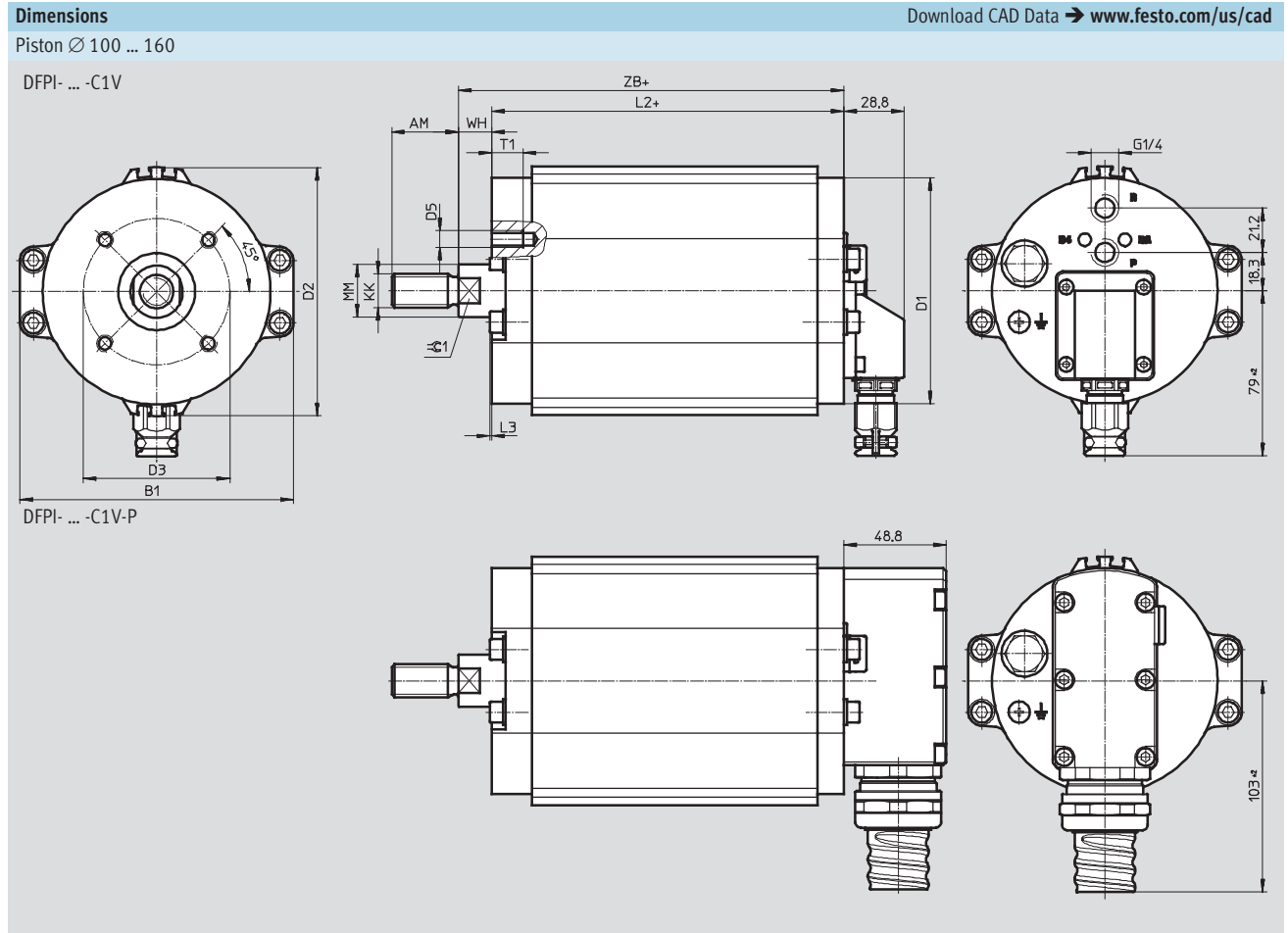
Sectional view



Linear actuators		
1	Piston rod	High-alloy stainless steel
2	Top cap (end cap)	Piston Ø 100, 125, 320
		Piston Ø 160 ... 250
	Bottom cap (bearing cap)	Piston Ø 100, 125, 320
		Piston Ø 160 ... 250
3	Cylinder barrel	Piston Ø 100 ... 200
		Piston Ø 250 ... 320
-	Screws	Piston Ø 100, 200, 250, 320
		Piston Ø 125, 160
-	Seals	Nitrile rubber
-	Note on materials	Contains paint-wetting impairment substances, RoHS-compliant

Linear actuators DFPI-ND2P-C1V

Technical data



Piston Ø	AM	B1	D1	D2	D3	D5	KK	L2	L3	MM	T1	WH	ZB	≈C1
[mm]	-2	Ø	Ø	Ø					min.	Ø				
DFPI-100	32	131	108	119	70	M8	M16x1.5	218.5	0.7	25	15	16	234.5	22
DFPI-125	54	163	135	147	102	M10	M27x2	221	-	32	18	24	245	27
DFPI-160		199	170	182				227.5					251.5	

Linear actuators DFPI-ND2P-C1V

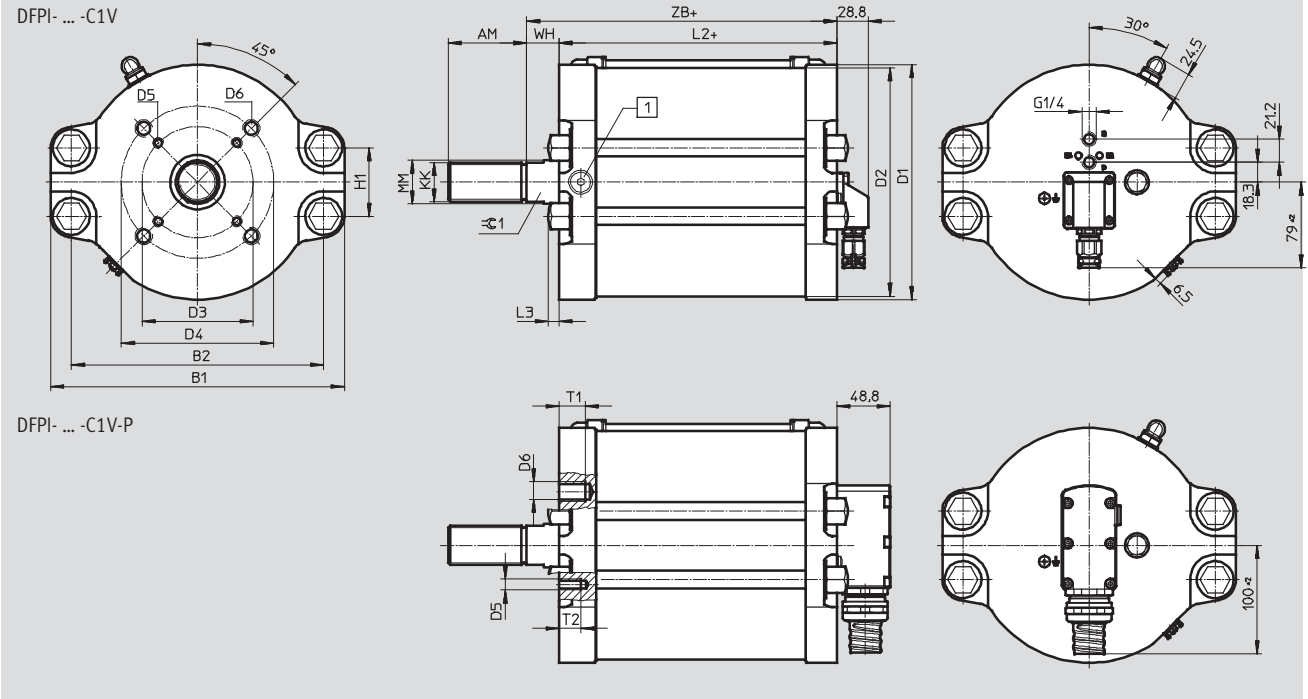
Technical data



Dimensions

Download CAD Data → www.festo.com/us/cad

Piston Ø 200 ... 320

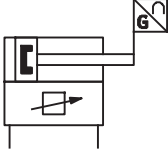


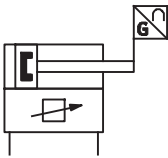
Piston Ø	AM	B1	B2	D1	D2	D3	D4	D5	D6	H1
[mm]	-2			Ø	Ø min.	Ø	Ø			
DFPI-200	72	270	232	216	210	102	140	M10	M16	63
DFPI-250		308	268	260	254					82
DFPI-320		378	338	332	325					126

Piston Ø	KK	L2	L3	MM	T1	T2	WH	ZB	∅C1
[mm]			min.	Ø					
DFPI-200	M36x2	255.5	10	40	24	20	30	285.5	36
DFPI-250		255	25		25			285	
DFPI-320		262	13		25			292	

Linear actuators DFPI-ND2P-C1V

Technical data

Ordering data			
Type	Piston Ø [mm]	Part No.	Type
	100	558 189	DFPI-100-...-ND2P-C1V
	125	558 190	DFPI-125-...-ND2P-C1V
	160	558 191	DFPI-160-...-ND2P-C1V
	200	563 789	DFPI-200-...-ND2P-C1V
	250	563 790	DFPI-250-...-ND2P-C1V
	320	563 791	DFPI-320-...-ND2P-C1V

Ordering data			
Type	Piston Ø [mm]	Part No.	Type
	100	561 380	DFPI-100-...-ND2P-C1V-P
	125	561 381	DFPI-125-...-ND2P-C1V-P
	160	561 382	DFPI-160-...-ND2P-C1V-P
	200	563 792	DFPI-200-...-ND2P-C1V-P
	250	563 793	DFPI-250-...-ND2P-C1V-P
	320	563 794	DFPI-320-...-ND2P-C1V-P

Note

Stroke length of the actuator

The stroke length of the actuator should generally at least correspond to the nominal diameter of the process valve so that the process valve can be fully opened and closed.

The system tolerances can lead to a greater stroke range than the specified nominal stroke range of

the linear actuator. During initialisation, the integrated position controller learns the stroke length used and ensures that the slide plate moves to the required positions in a controlled way – at most to the end positions learned during initialisation.

Linear actuators DFPI

Accessories

Adapter DAPZ-FA

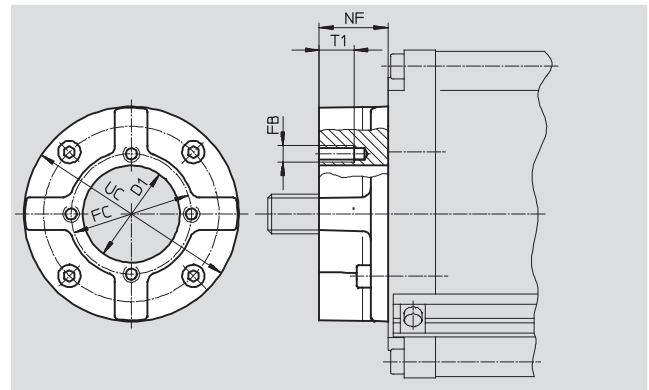
Based on DIN 3358

Scope of delivery:

- 1 flange adapter,
- 4 socket head screws DIN 912

Material:

- Wrought aluminium alloy
- Galvanised steel
- Free of copper, PTFE and silicone



Dimensions and ordering data											
For Ø	Size	D1 Ø	FB	FC Ø	NF	T1	UC Ø	CRC ¹⁾	Weight	Part No.	Type
[mm]		+1					+1		[g]		
100	F07/F07	30	M8	70	40	20	125	3	679	536 587	DAPZ-FA-F07/F07
	F07/F10	30	M10	102	40	22	125	3	670	536 588	DAPZ-FA-F07/F10
125, 160,	F10/F07	55	M8	70	40	20	125	3	667	536 589	DAPZ-FA-F10/F07
	F10/F10	55	M10	102	45	22	125	3	707	536 590	DAPZ-FA-F10/F10
200, 250,	F10/F14	55	M16	140	65	25	175	3	1,884	536 591	DAPZ-FA-F10/F14
320											
250, 320	F14/F14	70	M16	140	65	25	175	3	2,130	536 592	DAPZ-FA-F14/F14

1) Corrosion resistance class 3 as per Festo standard 940 070
 Components subject to higher corrosion stress. Externally visible parts with primarily decorative surface requirements which are in direct contact with a normal industrial environment or media such as solvents and cleaning agents.

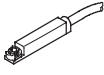
Ordering data – Piston rod attachments				Technical data → Internet: piston rod attachment			
Description	For Ø	Part No.	Type	Description	For Ø	Part No.	Type
Rod eye SGS				Rod clevis SG			
	100	9 263	SGS-M16x1,5		100	6 146	SG-M16x1,5
	125, 160	10 774	SGS-M27x2		125, 160	14 987	SG-M27x2-B
	200, 250, 320	10 775	SGS-M36x2		200, 250, 320	9 581	SG-M36x2
Rod clevis SGA				Self-aligning rod coupler FK			
	100	10 768	SGA-M16x1,5		100	6 142	FK-M16x1,5
	125, 160	10 770	SGA-M27x2		125, 160	10 485	FK-M27x2
	200, 250, 320	10 771	SGA-M36x2		200, 250, 320	10 746	FK-M36x2

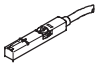
Ordering data – Piston rod attachments, corrosion-resistant				Technical data → Internet: crsg			
Description	For Ø	Part No.	Type	Description	For Ø	Part No.	Type
Rod eye CRSG				Rod clevis CRSGS			
	100	13 571	CRSG-M16x1,5		100	195 584	CRSGS-M16x1,5
	125, 160	185 361	CRSG-M27x2		125, 160	195 586	CRSGS-M27x2

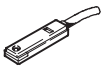
Linear actuators DFPI

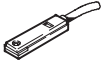
Accessories

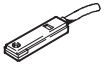
FESTO

Ordering data – Proximity sensors for T-slot				Technical data → Internet: smt-8f	
	Switching output	Electrical connection	Cable length	Part No.	Type
	Namur	Cable, 2-wire	5.0	536 956	SMT-8F-I-8,2V-K5,0-OE-EX

Ordering data – Ex proximity sensors for T-slot, magneto-resistive				Technical data → Internet: smt-8m	
	Switching output	Electrical connection	Cable length [m]	Part No.	Type
	N/O contact	Cable, 2-wire	5.0	543 874	SMT-8M-ZS-24V-K-5,0-OE-Ex2

Ordering data – Proximity sensors for T-slot, magneto-resistive				Technical data → Internet: smt-8		
	Switching output	Electrical connection		Cable length [m]	Part No.	Type
		Cable	Plug M8x1			
	N/O contact					
	PNP	3-wire	–	2.5	175 436	SMT-8-PS-K-LED-24-B
				5.0	175 434	SMT-8-PS-K5-LED-24-B
	–	–	3-pin	0.3	175 484	SMT-8-PS-S-LED-24-B
				2.5	171 180	SMT-8-NS-K-LED-24-B
	NPN	3-wire	–	0.3	171 181	SMT-8-NS-S-LED-24-B




Ordering data – Proximity sensors for T-slot				Technical data → Internet: crsmt	
	Switching output	Electrical connection	Cable length	Part No.	Type
	N/O contact				
	PNP	Cable, 3-wire	2.5	525 563	CRSMT-8-PS-K2,5-LED-24
5.0			525 564	CRSMT-8-PS-K5-LED-24	

Ordering data – Proximity sensors for T-slot, magnetic reed				Technical data → Internet: sme		
	Connection technology		Cable length [m]	Part No.	Type	
	Cable	Cable with plug M8x1				
	N/O contact					
	Operating voltage range 0 ... 30 V AC/DC					
	3-wire	–	–	2.5	150 855	SME-8-K-LED-24
				5.0	175 404	SME-8-K5-LED-24
				7.5	530 491	SME-8-K-7,5-LED-24
	–	–	3-pin	0.3	150 857	SME-8-S-LED-24
				2-wire	–	2.5
	Heat-resistant up to 120 °C					
	2-wire	–	–	2.5	161 756	SME-8-K-24-S6
	Operating voltage range 3 ... 250 V AC/DC					
	2-wire	–	–	2.5	152 820	SME-8-K-LED-230
	Operating voltage range 5 ... 250 V AC/DC					
	2-wire	–	–	2.5	538 816	SME-8-ZS-230V-K2,5Q-OE
				5.0	538 817	SME-8-ZS-230V-K5,0Q-OE
	N/C contact					
	3-wire	–	–	7.5	160 251	SME-8-O-K-LED-24


Linear actuators DFPI

Accessories

FESTO

Ordering data – Connecting cables M8x1					Technical data → Internet: nebu	
	Electrical connection, left	Electrical connection, right	Switching output	Cable length [m]	Part No.	Type
Basic version						
	Straight socket, M8x1, 3-pin	Cable, open end, 3-wire	–	2.5	541 333	NEBU-M8G3-K-2.5-LE3
				5	541 334	NEBU-M8G3-K-5-LE3
				10	541 332	NEBU-M8G3-K-10-LE3
	Angled socket, M8x1, 3-pin	Cable, open end, 3-wire	–	2.5	541 338	NEBU-M8W3-K-2.5-LE3
				5	541 341	NEBU-M8W3-K-5-LE3
				10	541 335	NEBU-M8W3-K-10-LE3
With switching status display						
	Angled socket, M8x1, 3-pin	Cable, open end, 3-wire	PNP	2.5	541 337	NEBU-M8W5P-K-2.5-LE3
				5	541 340	NEBU-M8W5P-K-5-LE3
			NPN	2.5	541 336	NEBU-M8W5N-K-2.5-LE3
				5	541 339	NEBU-M8W5N-K-5-LE3

Ordering data – Slot cover for T-slot			
	Assembly	Length [m]	Part No. Type
	Insertable from above	2x 0.5	151 680 ABP-5-S

Ordering data – Cable clip SMBK-8		
		Part No. Type
	For fixing the cable in the sensor slot	534 254 SMBK-8

Product Range and Company Overview

A Complete Suite of Automation Services

Our experienced engineers provide complete support at every stage of your development process, including: conceptualization, analysis, engineering, design, assembly, documentation, validation, and production.



Custom Automation Components
Complete custom engineered solutions



Custom Control Cabinets
Comprehensive engineering support and on-site services



Complete Systems
Shipment, stocking and storage services

The Broadest Range of Automation Components

With a comprehensive line of more than 30,000 automation components, Festo is capable of solving the most complex automation requirements.



Electromechanical
Electromechanical actuators, motors, controllers & drives



Pneumatics
Pneumatic linear and rotary actuators, valves, and air supply



PLCs and I/O Devices
PLC's, operator interfaces, sensors and I/O devices

Supporting Advanced Automation... As No One Else Can!

Festo is a leading global manufacturer of pneumatic and electromechanical systems, components and controls for industrial automation, with more than 12,000 employees in 56 national headquarters serving more than 180 countries. For more than 80 years, Festo has continuously elevated the state of manufacturing with innovations and optimized motion control solutions that deliver higher performing, more profitable automated manufacturing and processing equipment. Our dedication to the advancement of automation extends beyond technology to the education and development of current and future automation and robotics designers with simulation tools, teaching programs, and on-site services.

Quality Assurance, ISO 9001 and ISO 14001 Certifications

Festo Corporation is committed to supply all Festo products and services that will meet or exceed our customers' requirements in product quality, delivery, customer service and satisfaction.

To meet this commitment, we strive to ensure a consistent, integrated, and systematic approach to management that will meet or exceed the requirements of the ISO 9001 standard for Quality Management and the ISO 14001 standard for Environmental Management.



© Copyright 2008, Festo Corporation. While every effort is made to ensure that all dimensions and specifications are correct, Festo cannot guarantee that publications are completely free of any error, in particular typing or printing errors. Accordingly, Festo cannot be held responsible for the same. For Liability and Warranty conditions, refer to our "Terms and Conditions of Sale", available from your local Festo office. All rights reserved. No part of this publication may be reproduced, distributed, or transmitted in any form or by any means, electronic, mechanical, photocopying or otherwise, without the prior written permission of Festo. All technical data subject to change according to technical update.



Printed on recycled paper at New Horizon Graphic, Inc., FSC certified as an environmentally friendly printing plant.

Festo North America

Festo Regional Contact Center

5300 Explorer Drive
Mississauga, Ontario L4W 5G4
Canada

USA Customers:

For ordering assistance,

Call: 1.800.99.FESTO (1.800.993.3786)

Fax: 1.800.96.FESTO (1.800.963.3786)

Email: customer.service@us.festo.com

For technical support,

Call: 1.866.GO.FESTO (1.866.463.3786)

Fax: 1.800.96.FESTO (1.800.963.3786)

Email: product.support@us.festo.com

Canadian Customers:

Call: 1.877.GO.FESTO (1.877.463.3786)

Fax: 1.877.FX.FESTO (1.877.393.3786)

Email: festo.canada@ca.festo.com

USA Headquarters

Festo Corporation
395 Moreland Road
P.O. Box 18023
Hauppauge, NY 11788, USA
www.festo.com/us

USA Sales Offices

Appleton

North 922 Tower View Drive, Suite N
Greenville, WI 54942, USA

Boston

120 Presidential Way, Suite 330
Woburn, MA 01801, USA

Chicago

1441 East Business Center Drive
Mt. Prospect, IL 60056, USA

Dallas

1825 Lakeway Drive, Suite 600
Lewisville, TX 75057, USA

Detroit – Automotive Engineering Center

2601 Cambridge Court, Suite 320
Auburn Hills, MI 48326, USA

New York

395 Moreland Road
Hauppauge, NY 11788, USA

Silicon Valley

4935 Southfront Road, Suite F
Livermore, CA 94550, USA

United States



USA Headquarters, East: Festo Corp., 395 Moreland Road, Hauppauge, NY 11788

Phone: 1.631.435.0800; Fax: 1.631.435.8026;

Email: info@festo-usa.com

www.festo.com/us

Canada



Headquarters: Festo Inc., 5300 Explorer Drive, Mississauga, Ontario L4W 5G4

Phone: 1.905.624.9000; Fax: 1.905.624.9001;

Email: festo.canada@ca.festo.com

www.festo.ca

Mexico



Headquarters: Festo Pneumatic, S.A., Av. Ceylán 3, Col. Tequesquahuac,
54020 Tlalneantla, Edo. de México

Phone: 011 52 [55] 53 21 66 00; Fax: 011 52 [55] 53 21 66 65;

Email: festo.mexico@mx.festo.com

www.festo.com/mx

Central USA

Festo Corporation
1441 East Business
Center Drive
Mt. Prospect, IL 60056, USA
Phone: 1.847.759.2600
Fax: 1.847.768.9480



Western USA

Festo Corporation
4935 Southfront Road,
Suite F
Livermore, CA 94550, USA
Phone: 1.925.371.1099
Fax: 1.925.245.1286



Festo Worldwide

Argentina Australia Austria Belarus Belgium Brazil Bulgaria Canada Chile China Colombia Croatia Czech Republic Denmark
Estonia Finland France Germany Great Britain Greece Hong Kong Hungary India Indonesia Iran Ireland Israel Italy Japan Latvia
Lithuania Malaysia Mexico Netherlands New Zealand Norway Peru Philippines Poland Romania Russia Serbia Singapore
Slovakia Slovenia South Africa South Korea Spain Sweden Switzerland Taiwan Thailand Turkey Ukraine United States Venezuela

www.festo.com