

Compact Vision System SBOC-M/SBOI-M



Compact Vision System SBOC-M/SBOI-M

Key features

Problem description

Modern automation systems are for the most part designed for high production speeds which the human eye has trouble following.

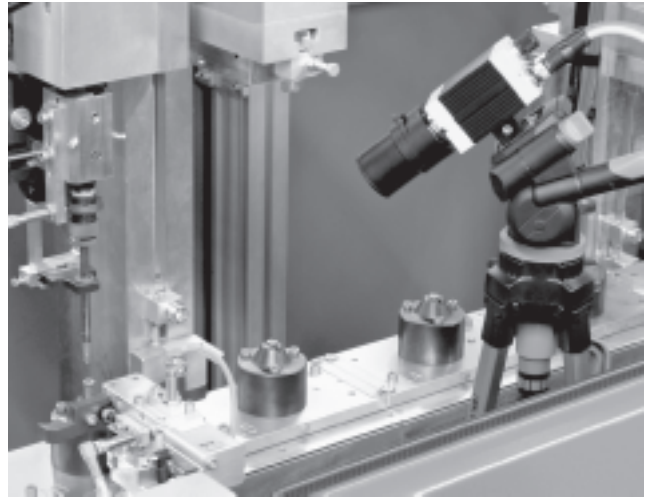
Disadvantage of this high speed: Fitters and service employees cannot detect errors in the motion sequence and their causes straight away.

It is also becoming increasingly difficult to set the system parameters to their optimum values.

Typical applications

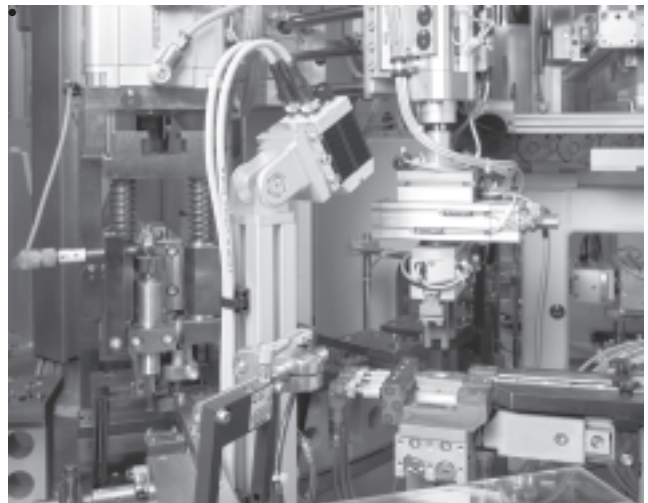
Mobile deployment of the high-speed camera for service and commissioning to increase the productivity and availability of automation systems

- Cycle time reduction through pinpointing of idle periods in motion sequences
- Optimum harmonisation of the travel times of individual axes in multi-axis systems, localisation of critical movements
- Time-synchronised visualisation of movement processes from several sides on a PC for greater ease of handling
- Localisation of unwanted vibrations which have a negative effect on the repetition accuracy of movement processes and can cause premature material fatigue

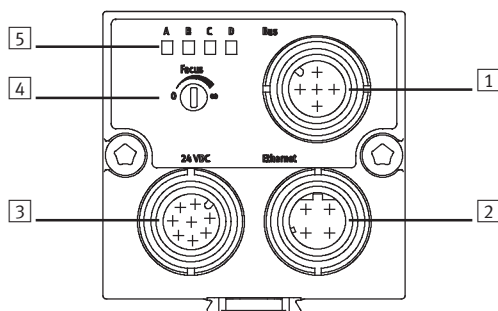


Stationary mounting of the high-speed camera to increase the availability of automation systems

- Continuous recording of processes in the ring buffer of the camera
- If a fault occurs, recording is stopped by an external signal. The case history of the fault is then stored in the camera, thus permitting an analysis of the cause



Interfaces



- 1 Bus connection
- 2 Ethernet connection
- 3 Power supply and inputs/outputs
- 4 Adjusting screw for focus

- 5 Status LEDs:
 - A Operating system
 - B Ethernet traffic
 - C Recording
 - D Recording status

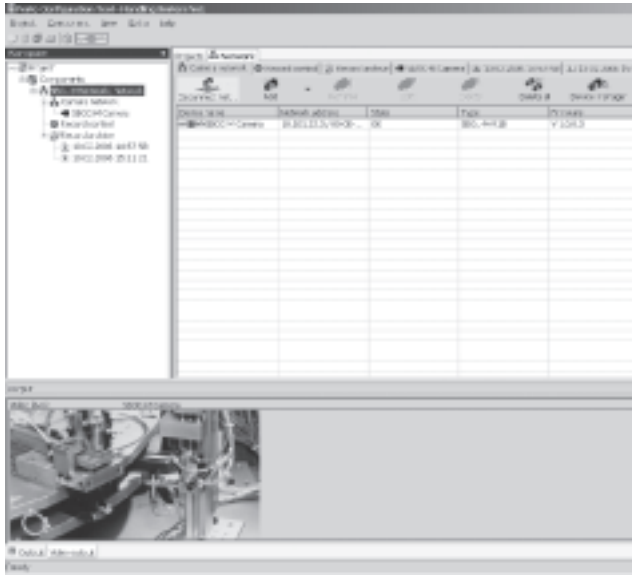
Compact Vision System SBOC-M/SBOI-M

Key features



FCT software with SBO.. Network plug-in

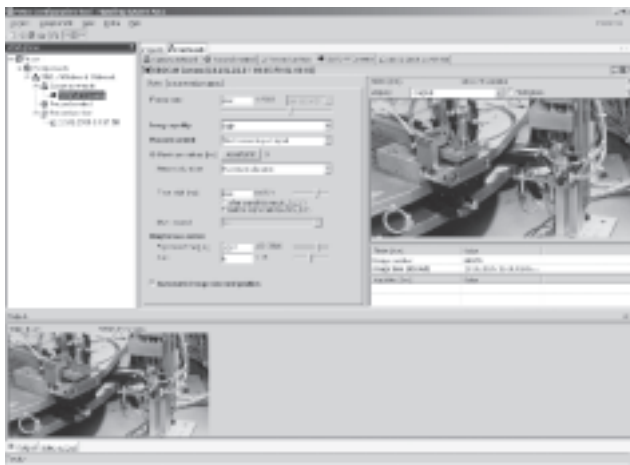
Configuring a camera network



The "SBO..-M Network" is a plug-in for the Festo configuration tool (FCT for short). It provides the following functions:

- Configuration and commissioning of a camera network with any desired number of Compact Vision Systems of the type SBOC-M or SBOI-M
- Creation of time-synchronised recordings using all devices in the camera network in order to record a scene from various angles, for example

Setting the camera



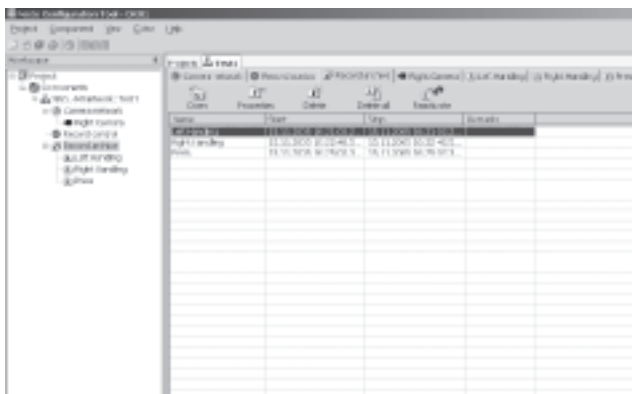
Using the live pictures from the camera, the lens can be set and parameters such as exposure time, frames per second, recording duration and picture quality, for example, adjusted.

With the parameters you can also define what is to happen when a trigger signal (edge change of an external 24 V signal) occurs:

- Start the recording
- Stop the recording
- Record only one picture

Time delays between trigger signal and start of recording or stop recording as well as recording several films or pictures in the camera memory (multi-recording) can also be determined in a user-friendly manner.

Recording control



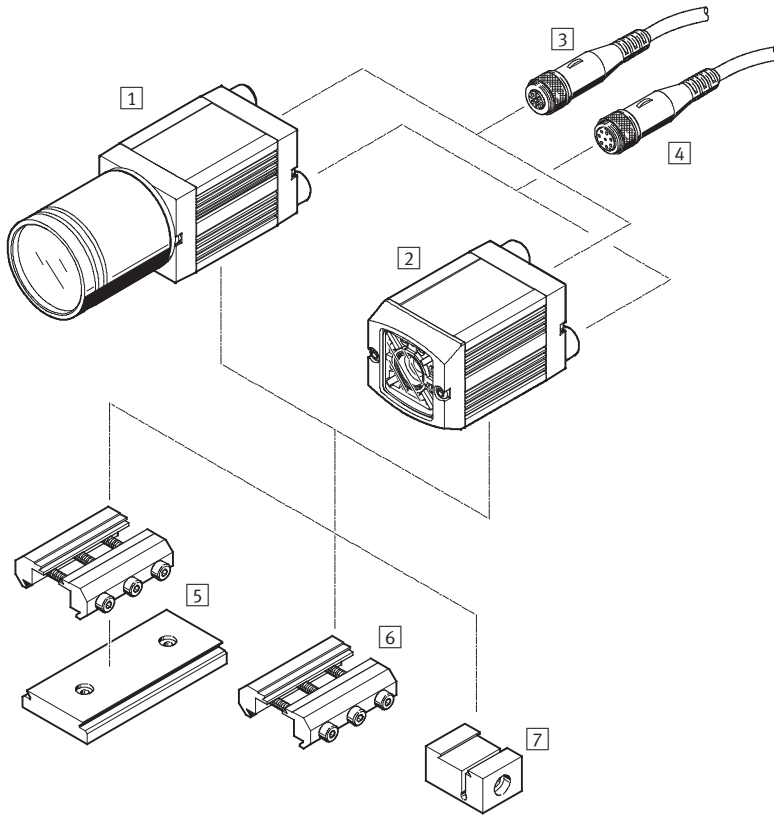
Recording can be started once the camera has been set up. You can choose whether the camera should wait for the occurrence of an external trigger condition, start recording directly following initialisation or store the pictures sent via Ethernet on a PC without buffering them in the camera. The PC can be removed once recording has been started in "Wait for trigger

signal" mode. The camera operates automatically and waits for the trigger condition to occur. Recorded sequences are stored in the internal memory of the respective camera and can be transmitted to the FCT software once a connection has been re-established with a PC. The sequences are archived and can be analysed on the PC.

Compact Vision System SBOC-M/SBOI-M

Peripherals overview

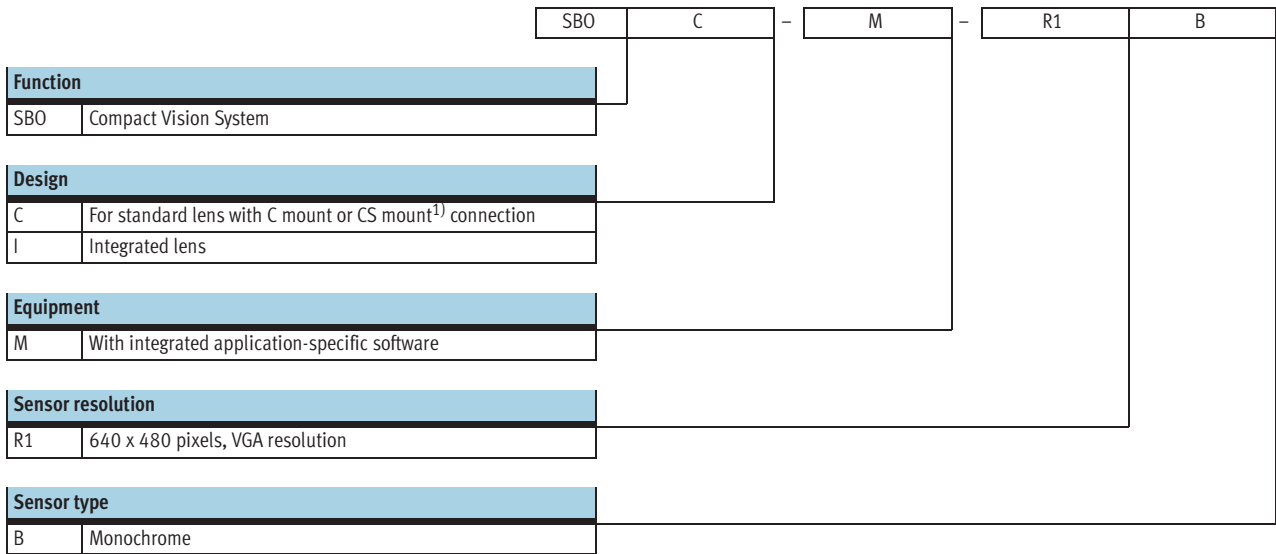
FESTO



Accessories	Brief description	→ Page/Internet
Compact Vision System		
1	SBOC-M-R1B	For standard lens with C mount connection
2	SBOI-M-R1B	With integrated lens and light
-	SBOA-M-SYSTAINER	Systainer with Compact Vision System SBOC-M-R1B and an extensive range of accessories
Cable with socket		
3	SBOA-K30E-M12S	Ethernet diagnostic cable
4	SIM-M12-8GD-...-PU	For supplying the operating voltage
Lens		
-	SASF-C-L-F...	Focal distance 6 ... 35 mm
Mounting components		
5	Adapter kit SBOA-HMSV-39	With screw-on adapter plate
6	Adapter kit SBOA-HMSV-40	Without screw-on adapter plate
7	Adapter kit SBOA-HMSV-41	With female thread G1/4 for mounting on commercially available tripods
-	Adapter SBOL-C-5	5 mm spacer ring (CS mount to C mount)

Compact Vision System SBOC-M/SBOI-M

Type codes




1) CS mount without protective tube.

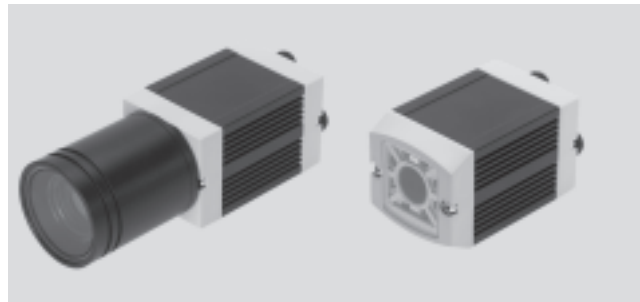
Compact Vision System SBOC-M/SBOI-M

FESTO

Technical data

-  Voltage
24 V DC

-  Temperature range
-10 ... +50 °C



General technical data		
Type	SBOC-M	SBOI-M
Sensor resolution	[pixels]	640x480
Exposure time	[ms]	0.04 ... 1,000
Frame rate (full image)	[fps]	185
Sensor type	Monochrome	
Lens mounting	C mount CS mount ¹⁾	Integrated lens
Operating distance	[mm]	Dependent on the lens selected
Field of vision	[mm]	22 ... 1,000
		14x10 ... 520x390

1) Without protective tube.

Electrical data		
Type	SBOC-M	SBOI-M
Nominal operating voltage	[V DC]	24
Permissible voltage fluctuations	[%]	±10
Current consumption with load-free outputs	[mA]	120
Max. residual current	[A]	1.5 at the 24 V outputs
Protection class	IP65, IP67 ¹⁾	IP65, IP67
Ethernet interface		
Bus interface	IEEE802.3U (100BaseT)	
Connection technology	Plug M12	
Transmission speed	[Mbps]	100
Supported protocols	TCP/IP	

1) Only in combination with protective tube (included in scope of delivery).

Operating and environmental conditions		
Ambient temperature	[°C]	-10 ... +50
Storage temperature	[°C]	-10 ... +60
Ambient conditions	Screened from extreme external light sources Cleanest possible ambient air	
CE mark	To EU EMC Directive	
Certification	c UL us - Recognized (OL) C-Tick	

Compact Vision System SBOC-M/SBOI-M

Technical data

FESTO

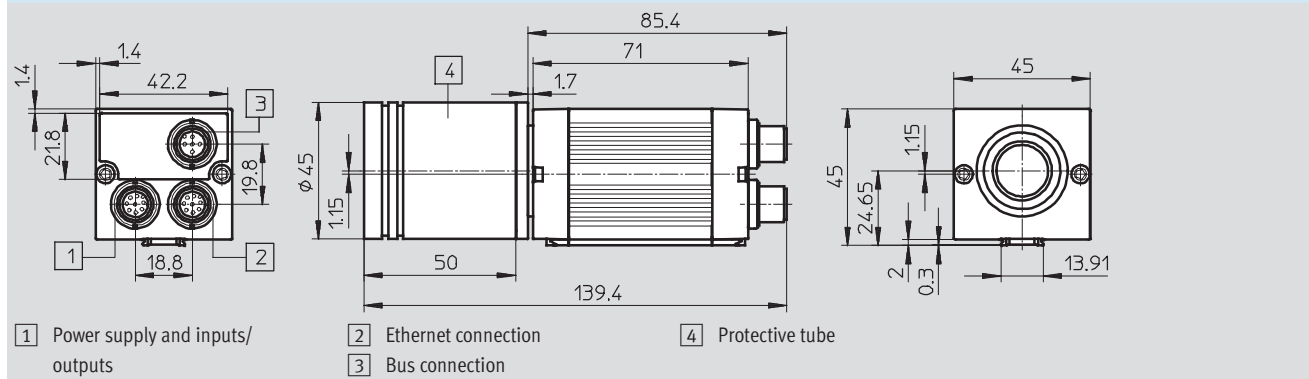
Materials	
Housing	Anodised aluminium
Cap	Acrylic butadiene styrene, glass fibre reinforced
Note on materials	Free of copper and PTFE
	RoHS-compliant

Weight [g]		
Lens mounting	C mount/CS mount ¹⁾	Integrated lens
Type	SBOC-M	SBOI-M
Compact Vision System	182	184

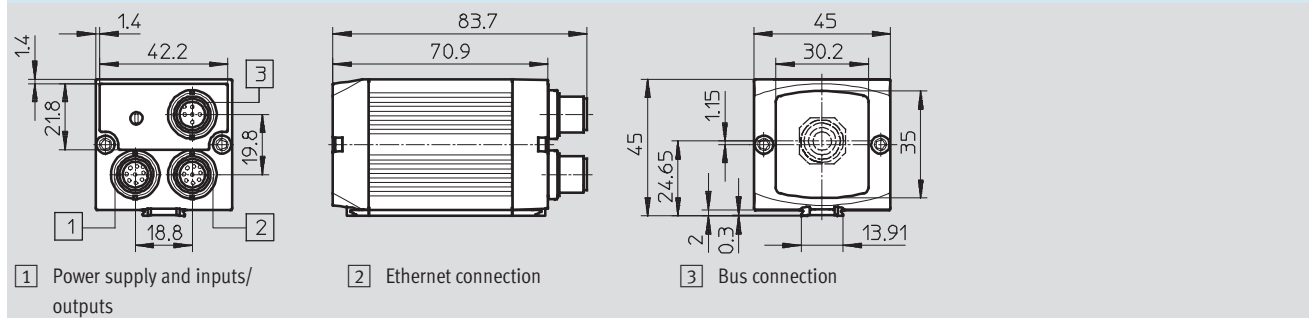
1) CS mount without protective tube.

Dimensions

C mount/CS mount¹⁾ SBOC-M



Integrated lens SBOI-M



1) CS mount without protective tube.

Ordering data		
	Part No.	Type
For standard lens with C mount or CS mount ¹⁾ connection	541398	SBOC-M-R1B
Integrated lens	541395	SBOI-M-R1B

1) CS mount without protective tube.

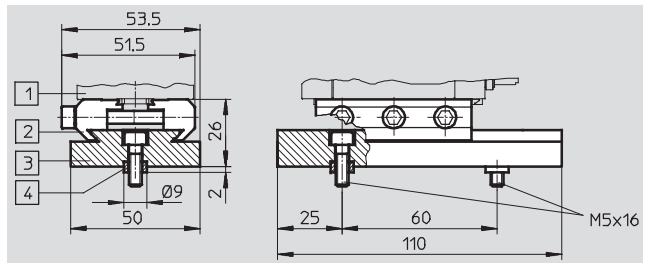
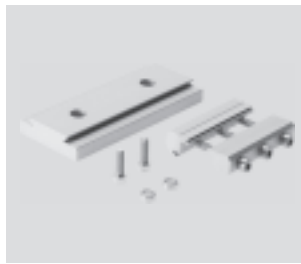
Compact Vision System SBOC-M/SBOI-M

FESTO

Accessories

Adapter kit
SBOA-HMSV-39
 with screw-on adapter plate

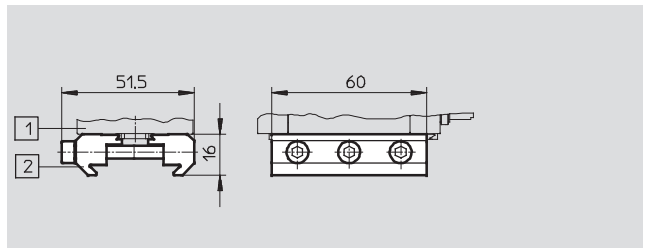
Material:
 Anodised wrought aluminium alloy



Ordering data		
	Part No.	Type
Adapter kit	541599	SBOA-HMSV-39

Adapter kit
SBOA-HMSV-40
 without screw-on adapter plate

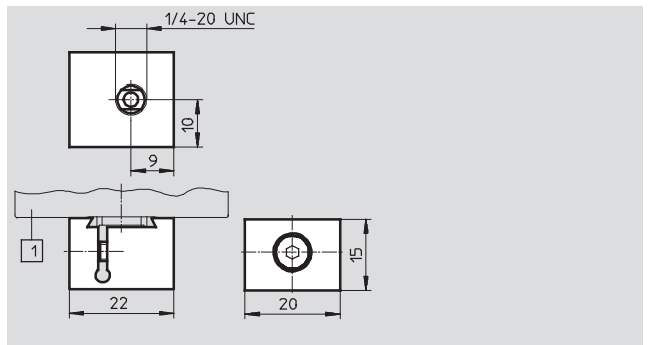
Material:
 Anodised wrought aluminium alloy



Ordering data		
	Part No.	Type
Adapter kit	541600	SBOA-HMSV-40

Adapter kit
SBOA-HMSV-41
 with female thread G $\frac{3}{4}$ for mounting
 on commercially available tripods

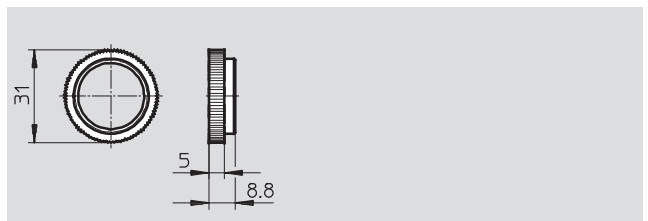
Material:
 Anodised wrought aluminium alloy



Ordering data		
	Part No.	Type
Adapter kit	542140	SBOA-HMSV-41

Adapter SBOL-C-5
 5 mm spacer ring
 (CS mount to C mount)

Material:
 Anodised wrought aluminium alloy



Ordering data		
	Part No.	Type
Adapter	541601	SBOL-C-5

Compact Vision System SBOC-M/SBOI-M

Accessories

Vision system

SBOA-M-SYSTAINER

Systainer with Compact Vision System SBOC-M-R1B and accessories for mains voltage 230 V

Note on materials:

Contains PWIS (paint wetting impairment substances)



Ordering data			
Contents	Pieces	Part No.	Type
Compact Vision System SBOC-M-R1B, without protective tube	1	543408	SBOA-M-SYSTAINER
Zoom lens, focal depth 10 ... 40 mm, CS mount	1		
Adapter kit SBOA-HMSV-41 for mounting on commercially available tripods	1		
Tripod for camera and lighting	2		
Ethernet diagnostic cable SBOA-K30E-M12S	1		
Crossover patch cable	1		
Coupler, RJ45	1		
System light 1,000 W/75 h, with tilting head and four-way folding frame	1		
Spare light bulb, U-shaped halogen lamp, 1,000 W/75 h, 230 V	1		
Manual cable drum	1		
Trigger with pushbutton and extension cable	1		
Power supply for camera/power supply unit	1		
CD-ROM with FCT configuration package and documentation	1		

Vision system


SBOA-M-SYSTAINER-110V

Systainer with Compact Vision System SBOC-M-R1B and accessories for mains voltage 110 V

Note on materials:

Contains PWIS (paint wetting impairment substances)



Ordering data			
Contents	Pieces	Part No.	Type
Compact Vision System SBOC-M-R1B, without protective tube	1	572909	SBOA-M-SYSTAINER-110V 
Zoom lens, focal depth 10 ... 40 mm, CS mount	1		
Adapter kit SBOA-HMSV-41 for mounting on commercially available tripods	1		
Tripod for camera and lighting	2		
Ethernet diagnostic cable SBOA-K30E-M12S	1		
Crossover patch cable	1		
Coupler, RJ45	1		
System light incl. plug for USA, 850 W/75 h, with tilting head and four-way folding frame	1		
Spare light bulb, U-shaped halogen lamp, 850 W/110 V	1		
Trigger with pushbutton and extension cable	1		
Power supply for camera/power supply unit with plug-in adapter for USA	1		
CD-ROM with FCT configuration package and documentation	1		

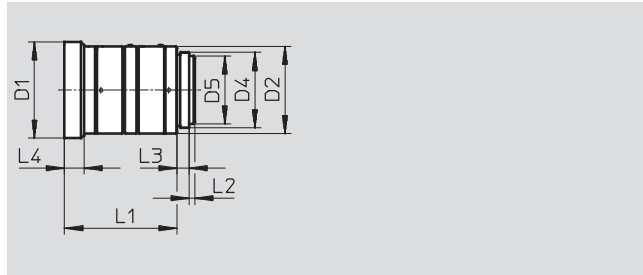
Compact Vision System SBOC-M/SBOI-M

Accessories

Lens SASF-C-L-F6

Focal depth 6 mm

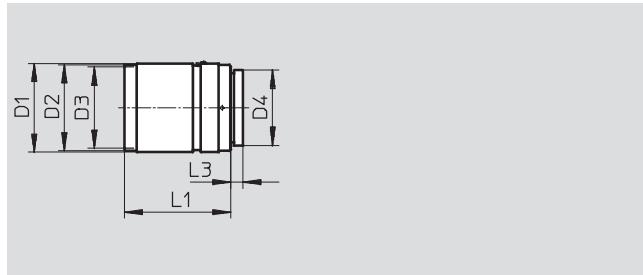
Note on materials:
Contains PWIS (paint wetting
impairment substances)
RoHS-compliant



Lens SASF-C-L-F16

Focal depth 16 mm

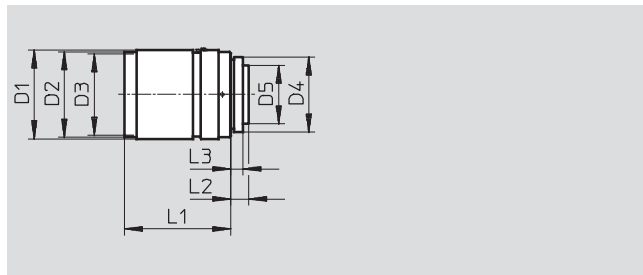
Note on materials:
Contains PWIS (paint wetting
impairment substances)
RoHS-compliant



Lens SASF-C-L-F12/25/35

Focal depth 12/25/35 mm

Note on materials:
Contains PWIS (paint wetting
impairment substances)
RoHS-compliant




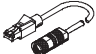
Dimensions									
Type	D1 Ø	D2 Ø	D3 Ø	D4	D5 Ø	L1	L2	L3	L4
SASF-C-L-F6	32	29	–	1-32UN	22.5	37.5	1.9	4	6.5
SASF-C-L-F16	29.5	28.5	27, P=0.5	1-32UN-2A	–	33.2	–	4	–
SASF-C-L-F12	29.5	28.5	27, P=0.5	1-32UN-2A	16.5	28.5	7.1	4	–
SASF-C-L-F25						32	6.9		
SASF-C-L-F35						19.5	35.4		

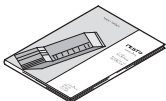


Ordering data – Lenses				Technical data → Internet: sasf-c		
	Brief description	Operating distance [mm]	Focal depth [mm]	Part No.	Type	
	C mount for Compact Vision System with sensor resolution R1 and R3	≥200	6	572910	SASF-C-L-F6	
	C mount for Compact Vision System with sensor resolution R1 and R3	≥250	12	572911	SASF-C-L-F12	
	C mount for Compact Vision System with sensor resolution R1, R2 and R3	≥250	16	572912	SASF-C-L-F16	
		25	25	572913	SASF-C-L-F25	
		≥350	35	572914	SASF-C-L-F35	

Compact Vision System SBOC-M/SBOI-M

Accessories

FESTO

Ordering data – Cable M12x1					Technical data → Internet: sim, sboa	
	Assembly	Use	Connection	Cable length [m]	Part No.	Type
Straight socket						
	Union nut M12x1	Operating voltage supply	8-pin	2	525616	SIM-M12-8GD-2-PU
				5	525618	SIM-M12-8GD-5-PU
	Union nut M12x1	Ethernet diagnostic cable	4-pin, d-coded	3	542139	SBOA-K30E-M12S

Ordering data – Documentation						
	Brief description	Language	Part No.	Type		
	Description A manual in paper form is not included in the scope of delivery for the Compact Vision System	German	542122	P.BE-SBO-M-DE		
		English	542123	P.BE-SBO-M-EN		
	Documentation package The manual on CD-ROM is included in the scope of delivery of the Compact Vision System	German, English	542121	P.BE-SBO-M-UDOK		
	Configuration package The FCT (Festo configuration tool) configuration package on CD-ROM is included in the scope of delivery of the Compact Vision System	German, English, French	539622	P.SW-FCT		