

Push-in fittings NPQP



# Push-in fittings NPQP

Technical data

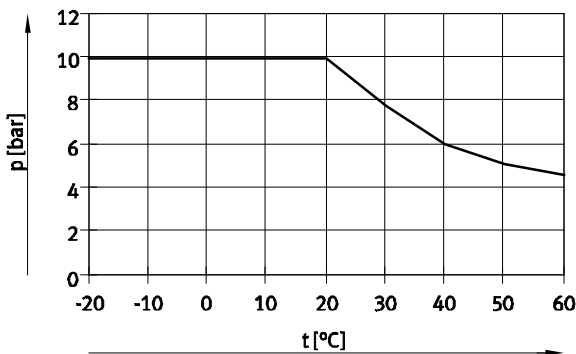
General technical data	
Size	Standard
Design	Push-pull principle


Materials	
Housing	PP
Tube retaining claw	High-alloy stainless steel
Note on materials	RoHS-compliant
	Contains PWIS (paint-wetting impairment substances)

Operating and environmental conditions	
Temperature-dependent operating pressure [bar]	-0.95 ... +10
Operating medium	Compressed air in accordance with ISO 8573-1:2010 [7:--:-]
Note on operating/pilot medium	Operation with lubricated medium possible (in which case lubricated operation will always be required)
Ambient temperature [°C]	-20 ... +60
	Extended temperature range on request
Corrosion resistance class CRC <sup>1)</sup>	4
ATEX	Specified types → <a href="http://www.festo.com">www.festo.com</a>

1) CRC4: Corrosion resistance class to Festo standard 940 070  
 Components with very heavy corrosion exposure. Components in contact with aggressive media, e.g. in food or chemical industries. These applications must, if necessary, be verified by special tests with the media concerned.

## Operating pressure p as a function of temperature t



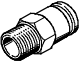
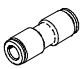


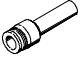




 **Note**

Leaks can occur with large temperature fluctuations due to the high expansion coefficient of polypropylene in combination with the R thread. To avoid this it is recommended to seal the thread with Loctite® 55 pipe sealing cord.

# Push-in fittings NPQP





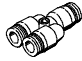
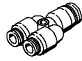
Product range overview



Design	Version	Type	Connection D1			Connection D2		→ Page/ Internet
			R thread	Tubing O.D.	Push-in sleeve ∅	Tubing O.D.	Push-in sleeve ∅	
Inline	<b>Push-in fitting – Male thread with external hex</b>							
		NPQP-D	R1/8	-	-	4, 6, 8	-	5
			R1/4			4, 6, 8, 10		
			R3/8			10, 12		
			R1/2			12		
	<b>Push-in connector</b>							
		NPQP-D	-	-	-	4	-	6
			6					
			8					
			10					
			12					
		NPQP-D reducing	-	-	-	4	-	6
			6					
			8					
	10							
<b>Push-in bulkhead connector</b>								
	NPQP-H	-	-	-	4	-	7	
		6						
		8						
		10						
		12						
<b>Push-in connector with push-in sleeve</b>								
	NPQP-D-...-S	-	-	-	4	-	6, 8	
		6			8, 10			
		8			10, 12			
		10			12			
<b>Blanking plug</b>								
	NPQP-P	-	-	-	4	-	8	
		6						
		8						
		10						
		12						
L-shape	<b>Push-in L-fitting – Male thread with external hex</b>							
		NPQP-L	R1/8	-	-	4, 6, 8	-	9
			R1/4			4, 6, 8, 10		
			R3/8			10, 12		
			R1/2			12		
	<b>Push-in L-fitting – Male thread with external hex</b>							
		NPQP-LQ	R1/8	-	-	4, 6, 8	-	9
			R1/4			4, 6, 8, 10		
			R3/8			10, 12		
			R1/2			12		
<b>Push-in L-connector</b>								
	NPQP-L	-	-	-	4	-	10	
		6						
		8						
		10						
		12						

# Push-in fittings NPQP

Product range overview

Design	Version	Type	Connection D1			Connection D2		→ Page/ Internet
			R thread	Tubing O.D.	Push-in sleeve ∅	Tubing O.D.	Push-in sleeve ∅	
T-shape	<b>Push-in T-fitting – Male thread with external hex</b>							
		NPQP-T	R1/8	-	-	4, 6, 8	-	11
			R1/4			4, 6, 8, 10		
			R3/8			10, 12		
			R1/2			12		
	<b>Push-in T-connector</b>							
		NPQP-T	-	-	-	4	-	12
			4			6		
			6			8		
			8			10		
10			12					
	NPQP-T reducing	-	-	-	4	-	12	
		6			6			
		8			8			
		10			10			
		12			12			
Y-shape	<b>Push-in Y-fitting – Male thread with external hex</b>							
		NPQP-Y	R1/8	-	-	4, 6, 8	-	13
			R1/4			4, 6, 8, 10		
			R3/8			10, 12		
			R1/2			12		
	<b>Push-in Y-connector</b>							
		NPQP-Y	-	-	-	4	-	14
			4			6		
			6			8		
			8			10		
10			12					
	NPQP-Y reducing	-	-	-	4	-	14	
		6			6			
		8			8			
		10			10			
		12			12			

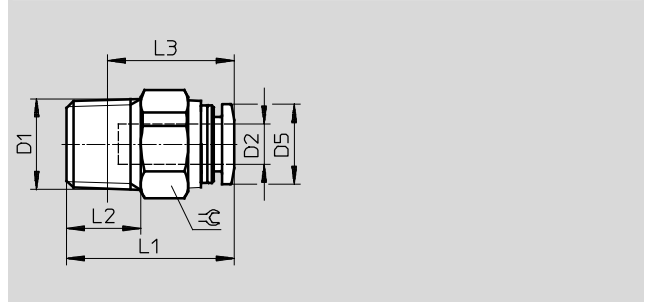
# Push-in fittings NPQP

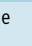
Technical data

FESTO

## Push-in fitting NPQP-D

Male thread  
with external hex



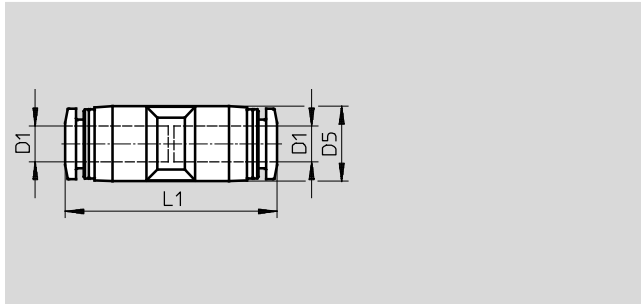
Dimensions and ordering data											
Connection	Nominal size	Tubing O.D.	D5	L1	L2	L3		Weight/piece	Part No.	Type	PU <sup>1)</sup>
D1	[mm]	D2						[g]			
R <sup>1</sup> / <sub>8</sub>	2.1	4	9.9	21.1	8	17.1	9	2.5	132417	NPQP-D-R18-Q4	1
	3.4	6	11.8	22.8	8	18.8	14	3.0	132418	NPQP-D-R18-Q6	1
	5.3	8	13.8	27.9	8	23.9	17	4.5	132419	NPQP-D-R18-Q8	1
R <sup>1</sup> / <sub>4</sub>	2.1	4	9.9	22.3	11	16.3	14	3.5	132420	NPQP-D-R14-Q4	1
	3.4	6	11.8	24.8	11	18.8	14	3.5	132421	NPQP-D-R14-Q6	1
	5.3	8	13.8	26.6	11	20.6	17	4.5	132422	NPQP-D-R14-Q8	1
	6.2	10	16.8	32.6	11	26.6	19	7.0	132423	NPQP-D-R14-Q10	1
R <sup>3</sup> / <sub>8</sub>	6.2	10	16.8	33.6	12	27.3	19	8.0	132424	NPQP-D-R38-Q10	1
	7.2	12	19.8	37.6	12	31.3	22	12.0	132425	NPQP-D-R38-Q12	1
R <sup>1</sup> / <sub>2</sub>	7.2	12	19.8	34.1	15	25.9	22	12.0	132426	NPQP-D-R12-Q12	1

1) Packaging unit

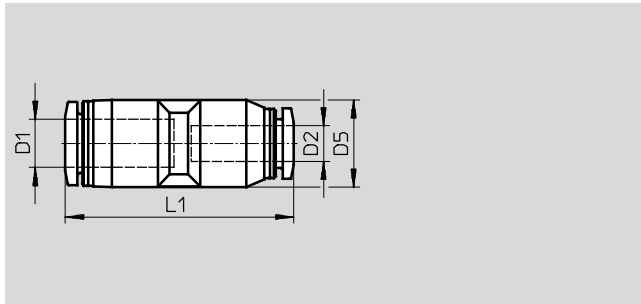
# Push-in fittings NPQP

Technical data

## Push-in connector NPQP-D



Reducing



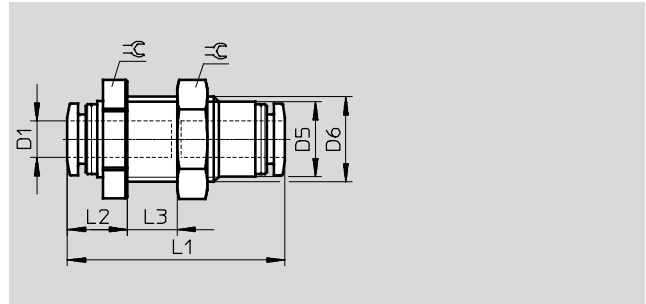
Dimensions and ordering data								
Tubing O.D.	Nominal size	Tubing O.D.	D5	L1	Weight/piece	Part No.	Type	PU <sup>1)</sup>
D1	[mm]	D2	∅		[g]			
4	2.6	4	10.0	31.0	4.0	<b>132537</b>	<b>NPQP-D-Q4-E</b>	<b>1</b>
6	4.0	6	12.5	35.2	5.5	<b>132538</b>	<b>NPQP-D-Q6-E</b>	<b>1</b>
8	5.0	8	14.5	37.8	8.0	<b>132539</b>	<b>NPQP-D-Q8-E</b>	<b>1</b>
10	6.7	10	17.5	43.8	13.0	<b>132540</b>	<b>NPQP-D-Q10-E</b>	<b>1</b>
12	8.7	12	21.0	48.2	19.0	<b>132541</b>	<b>NPQP-D-Q12-E</b>	<b>1</b>
Reducing								
6	2.6	4	12.5	34.6	5.5	<b>132543</b>	<b>NPQP-D-Q6-Q4</b>	<b>1</b>
8	4.0	6	14.5	38.0	7.0	<b>132544</b>	<b>NPQP-D-Q8-Q6</b>	<b>1</b>
10	5.0	8	17.5	43.3	12.0	<b>132545</b>	<b>NPQP-D-Q10-Q8</b>	<b>1</b>
12	6.7	10	21.0	48.0	18.0	<b>132546</b>	<b>NPQP-D-Q12-Q10</b>	<b>1</b>

1) Packaging unit

# Push-in fittings NPQP

Technical data

## Push-in bulkhead connector NPQP-H

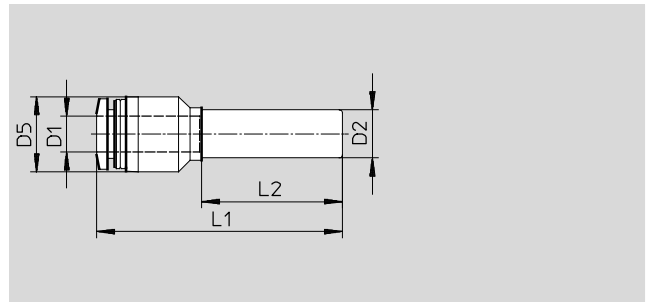


Dimensions and ordering data											
Tubing O.D.	Nominal size	D5 Ø	D6	L1	L2	L3 max.	≈	Weight/piece [g]	Part No.	Type	PU <sup>1)</sup>
D1	[mm]										
4	2.3	10	M12x1.5	31.6	9.3	6.5	14	7.2	132548	NPQP-H-Q4-E	1
6	3.7	12.3	M14x1.5	35.8	9.9	9.5	17	10.2	132549	NPQP-H-Q6-E	1
8	4.9	14.2	M16x1.5	38.4	10.7	9	19	14.3	132550	NPQP-H-Q8-E	1
10	7.1	17.5	M20x2	43.4	13.2	12	24	24.4	132551	NPQP-H-Q10-E	1
12	7.8	21	M24x2	48.8	13.4	14	27	30.4	132552	NPQP-H-Q12-E	1

1) Packaging unit

## Push-in connector NPQP-D

with push-in sleeve



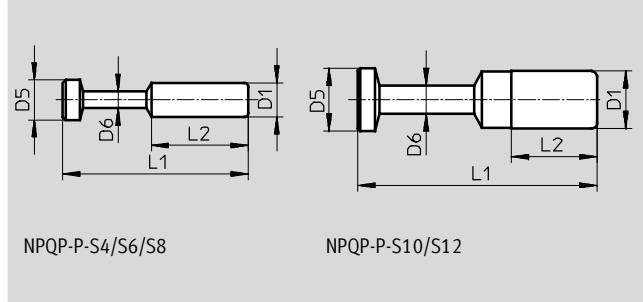
Dimensions and ordering data										
Tubing O.D.	Nominal size	Push-in sleeve Ø	D5 Ø	L1	L2	Weight/piece [g]	Part No.	Type	PU <sup>1)</sup>	
D1	[mm]	D2								
4	2.5	6	10.0	37.8	22.3	2.4	132588	NPQP-D-Q4-S6	1	
	2.4	8	12.5	40.3	23.3	3.0	132589	NPQP-D-Q4-S8	1	
6	3.8	8	12.5	40.9	23.3	3.2	132590	NPQP-D-Q6-S8	1	
	3.8	10	12.5	43.9	28.3	3.6	132591	NPQP-D-Q6-S10	1	
8	5.4	10	14.5	43.7	24.8	4.7	132592	NPQP-D-Q8-S10	1	
	5.4	12	14.5	49.7	33.5	5.4	132593	NPQP-D-Q8-S12	1	
10	6.3	12	17.5	50.2	28.8	7.9	132594	NPQP-D-Q10-S12	1	

1) Packaging unit

## Push-in fittings NPQP

Technical data

### Blanking plug NPQP-P



Dimensions and ordering data								
Push-in sleeve $\varnothing$ D1	D5 $\varnothing$	D6 $\varnothing$	L1	L2	Weight/piece [g]	Part No.	Type	PU <sup>1)</sup>
4	5	3	27.5	15.0	0.5	<b>132582</b>	<b>NPQP-P-S4</b>	<b>1</b>
6	7	3	32.5	17.0	0.5	<b>132583</b>	<b>NPQP-P-S6</b>	<b>1</b>
8	9	4	36.5	18.1	1.0	<b>132584</b>	<b>NPQP-P-S8</b>	<b>1</b>
10	11	5	42.0	20.2	2.0	<b>132585</b>	<b>NPQP-P-S10</b>	<b>1</b>
12	13	6	44.0	23.4	2.5	<b>132586</b>	<b>NPQP-P-S12</b>	<b>1</b>

1) Packaging unit

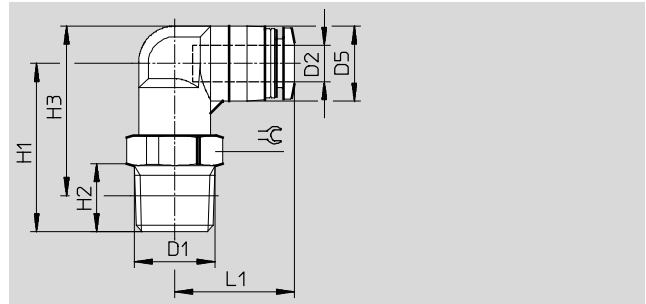


# Push-in fittings NPQP

Technical data

## Push-in L-fitting NPQP-L

Male thread  
with external hex

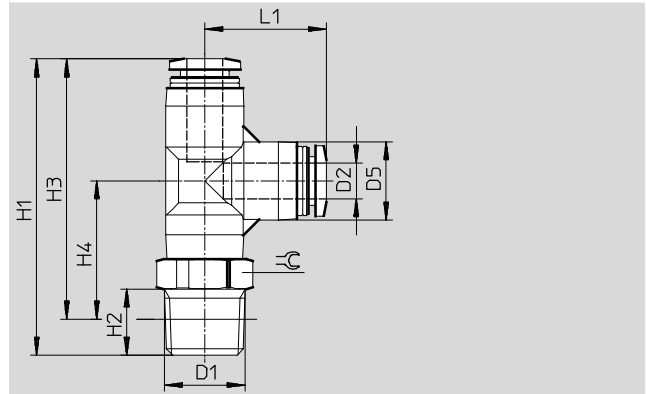


Dimensions and ordering data												
Connection	Nominal size	Tubing O.D.	D5	H1	H2	H3	L1	⌀	Weight/piece	Part No.	Type	PU <sup>1)</sup>
D1	[mm]	D2							[g]			
R <sup>1</sup> / <sub>8</sub>	2.1	4	10.0	23.3	8	24.3	18.1	10	4.0	132428	NPQP-L-R18-Q4	1
	3.3	6	12.5	25.0	8	27.3	19.9	12	5.0	132429	NPQP-L-R18-Q6	1
	4.7	8	14.5	28.0	8	31.3	22.7	14	7.0	132430	NPQP-L-R18-Q8	1
R <sup>1</sup> / <sub>4</sub>	2.1	4	10.0	26.3	11	25.3	18.1	14	4.5	132431	NPQP-L-R14-Q4	1
	3.3	6	12.5	28.0	11	28.2	19.9	14	5.5	132432	NPQP-L-R14-Q6	1
	4.7	8	14.5	31.0	11	32.2	22.7	14	7.5	132433	NPQP-L-R14-Q8	1
	5.7	10	17.5	36.0	11	38.7	26.4	17	12.0	132434	NPQP-L-R14-Q10	1
R <sup>3</sup> / <sub>8</sub>	5.7	10	17.5	37.0	12	39.4	26.4	17	13.0	132435	NPQP-L-R38-Q10	1
	6.9	12	21.0	39.0	12	43.2	29.6	22	18.0	132436	NPQP-L-R38-Q12	1
R <sup>1</sup> / <sub>2</sub>	6.9	12	21.0	42.0	15	44.3	29.6	22	19.0	132437	NPQP-L-R12-Q12	1

1) Packaging unit

## Push-in L-fitting NPQP-LQ

Male thread  
with external hex



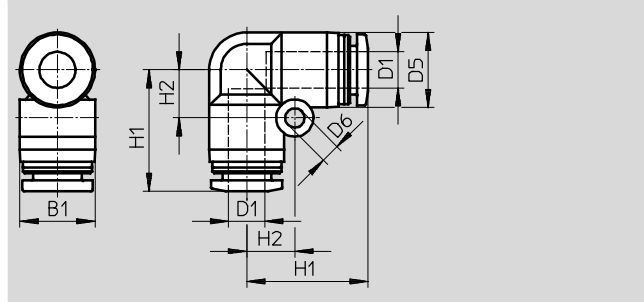
Dimensions and ordering data													
Connection	Nominal size	Tubing O.D.	D5	H1	H2	H3	H4	L1	⌀	Weight/piece	Part No.	Type	PU <sup>1)</sup>
D1	[mm]	D2								[g]			
R <sup>1</sup> / <sub>8</sub>	2.0	4	10.0	40.2	8	36.2	19.2	17.0	10	6.0	132439	NPQP-LQ-R18-Q4	1
	3.3	6	13.0	46.3	8	42.3	22.0	20.2	12	8.0	132440	NPQP-LQ-R18-Q6	1
	4.8	8	15.0	50.4	8	46.4	24.2	22.2	14	11.0	132441	NPQP-LQ-R18-Q8	1
R <sup>1</sup> / <sub>4</sub>	2.0	4	10.0	43.2	11	37.2	20.2	17.0	14	6.5	132442	NPQP-LQ-R14-Q4	1
	3.3	6	13.0	49.3	11	43.3	23.0	20.2	14	8.5	132443	NPQP-LQ-R14-Q6	1
	4.8	8	15.0	53.4	11	47.4	25.2	22.2	14	12.0	132444	NPQP-LQ-R14-Q8	1
	5.8	10	17.5	61.4	11	55.4	30.0	25.4	17	18.0	132445	NPQP-LQ-R14-Q10	1
R <sup>3</sup> / <sub>8</sub>	5.8	10	17.5	62.4	12	56.1	30.7	25.4	17	19.0	132446	NPQP-LQ-R38-Q10	1
	6.9	12	21.0	67.8	12	61.5	32.9	28.4	22	26.0	132447	NPQP-LQ-R38-Q12	1
R <sup>1</sup> / <sub>2</sub>	6.9	12	21.0	70.8	15	62.6	34.0	28.4	22	28.0	132448	NPQP-LQ-R12-Q12	1

1) Packaging unit

# Push-in fittings NPQP

Technical data

## Push-in L-connector NPQP-L



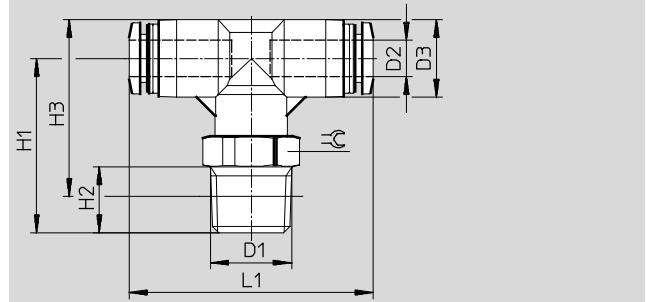
Dimensions and ordering data											
Tubing O.D.	Nominal size	Tubing O.D.	D5 ∅	D6	B1	H1	H2	Weight/piece	Part No.	Type	PU <sup>1)</sup>
D1	[mm]	D1						[g]			
4	2.3	4	10.0	3.2	10.0	17.0	6.5	4.5	<b>132554</b>	<b>NPQP-L-Q4-E</b>	<b>1</b>
6	3.6	6	12.5	3.2	12.5	20.2	8.0	6.0	<b>132555</b>	<b>NPQP-L-Q6-E</b>	<b>1</b>
8	4.6	8	15.0	4.2	15.6	22.4	10.0	9.0	<b>132556</b>	<b>NPQP-L-Q8-E</b>	<b>1</b>
10	6.2	10	17.5	4.2	18.2	26.4	12.0	14.0	<b>132557</b>	<b>NPQP-L-Q10-E</b>	<b>1</b>
12	7.7	12	21.0	4.2	21.7	29.6	14.0	20.0	<b>132558</b>	<b>NPQP-L-Q12-E</b>	<b>1</b>

1) Packaging unit

# Push-in fittings NPQP

Technical data

## Push-in T-fitting NPQP-T



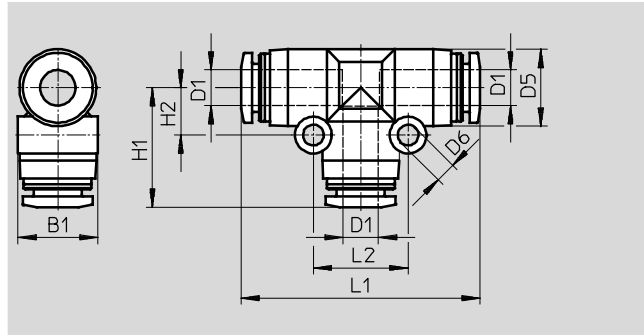
Dimensions and ordering data												
Connection	Nominal size	Tubing O.D.	D5	H1	H2	H3	L1		Weight/ piece	Part No.	Type	PU <sup>1)</sup>
D1	[mm]	D2							[g]			
R <sup>1</sup> / <sub>8</sub>	2.0	4	10.0	23.2	8	24.2	34.0	10	6.0	<b>132450</b>	<b>NPQP-T-R18-Q4</b>	<b>1</b>
	3.2	6	13.0	26.0	8	28.5	40.6	12	8.0	<b>132451</b>	<b>NPQP-T-R18-Q6</b>	<b>1</b>
	4.7	8	15.0	26.3	8	29.8	44.8	14	11.0	<b>132452</b>	<b>NPQP-T-R18-Q8</b>	<b>1</b>
R <sup>1</sup> / <sub>4</sub>	2.0	4	10.0	26.2	11	25.2	34.0	14	6.5	<b>132453</b>	<b>NPQP-T-R14-Q4</b>	<b>1</b>
	3.2	6	13.0	29.0	11	29.5	40.6	14	8.5	<b>132454</b>	<b>NPQP-T-R14-Q6</b>	<b>1</b>
	4.7	8	15.0	29.3	11	30.8	44.8	14	12.0	<b>132455</b>	<b>NPQP-T-R14-Q8</b>	<b>1</b>
	5.8	10	17.5	36.0	11	38.7	50.8	17	18.0	<b>132456</b>	<b>NPQP-T-R14-Q10</b>	<b>1</b>
R <sup>3</sup> / <sub>8</sub>	5.8	10	17.5	37.0	12	39.4	50.8	17	19.0	<b>132457</b>	<b>NPQP-T-R38-Q10</b>	<b>1</b>
	6.9	12	21.0	39.0	12	43.2	57.2	22	26.0	<b>132458</b>	<b>NPQP-T-R38-Q12</b>	<b>1</b>
R <sup>1</sup> / <sub>2</sub>	6.9	12	21.0	42.0	15	44.3	57.2	22	28.0	<b>132459</b>	<b>NPQP-T-R12-Q12</b>	<b>1</b>

1) Packaging unit

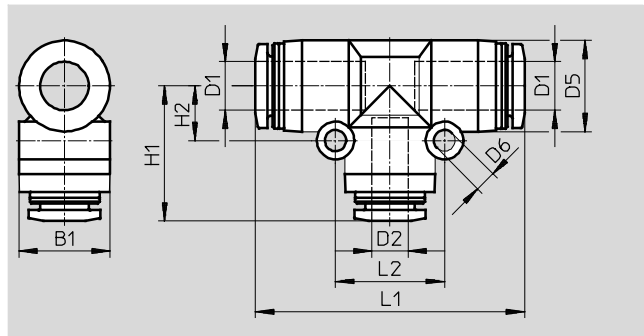
# Push-in fittings NPQP

Technical data

## Push-in T-connector NPQP-T



Reducing



Dimensions and ordering data													
Tubing O.D.	Nominal size	Tubing O.D.	D5	D6	B1	H1	H2	L1	L2	Weight/ piece	Part No.	Type	PU <sup>1)</sup>
D1	[mm]	D2	∅							[g]			
4	2.6	4	10.0	3.2	10.0	17.0	6.5	34.0	13.0	6.5	<b>132560</b>	<b>NPQP-T-Q4-E</b>	<b>1</b>
6	4.0	6	13.0	3.2	13.5	20.2	8.0	40.4	16.0	9.0	<b>132561</b>	<b>NPQP-T-Q6-E</b>	<b>1</b>
8	5.0	8	15.0	3.2	15.0	22.2	9.0	44.4	18.0	13.0	<b>132562</b>	<b>NPQP-T-Q8-E</b>	<b>1</b>
10	6.7	10	17.5	4.2	17.5	25.4	12.0	50.8	24.0	21.0	<b>132563</b>	<b>NPQP-T-Q10-E</b>	<b>1</b>
12	8.7	12	21.0	4.2	21.7	28.4	14.0	57.2	28.0	30.0	<b>132564</b>	<b>NPQP-T-Q12-E</b>	<b>1</b>
<b>Reducing</b>													
6	2.3	4	13.0	3.2	13.5	19.6	8.0	40.4	16.0	9.0	<b>132566</b>	<b>NPQP-T-Q6-Q4</b>	<b>1</b>
8	3.6	6	15.0	3.2	15.0	22.4	9.0	44.4	18.0	12.0	<b>132567</b>	<b>NPQP-T-Q8-Q6</b>	<b>1</b>
10	5.0	8	17.5	4.2	17.5	24.9	12.0	50.8	24.0	19.5	<b>132568</b>	<b>NPQP-T-Q10-Q8</b>	<b>1</b>
12	6.4	10	21.0	4.2	21.7	28.2	14.0	57.2	28.0	28.0	<b>132569</b>	<b>NPQP-T-Q12-Q10</b>	<b>1</b>

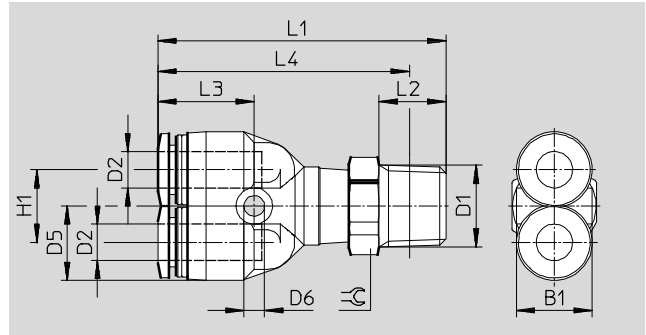
1) Packaging unit

# Push-in fittings NPQP

Technical data

**FESTO**

## Push-in Y-fitting NPQP-Y



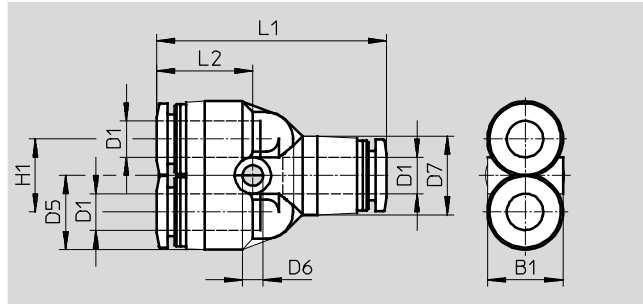
Dimensions and ordering data															
Connection	Nominal size [mm]	Tubing O.D. D2	D5	D6	B1	H1	L1	L2	L3	L4	$\approx$	Weight/ piece [g]	Part No.	Type	PU <sup>1)</sup>
<b>R thread</b>															
R $\frac{1}{8}$	2.0	4	10.0	3.4	10.0	11	40.7	8	14.2	36.7	10	6.5	132461	NPQP-Y-R18-Q4	1
	2.8	6	12.5	3.4	13.5	12	44.5	8	15.9	40.5	12	8.0	132462	NPQP-Y-R18-Q6	1
	4.5	8	14.5	3.4	14.5	14	48.7	8	17.2	44.7	14	12.0	132463	NPQP-Y-R18-Q8	1
R $\frac{1}{4}$	2.0	4	10.0	3.4	10.0	11	43.7	11	14.2	37.7	14	7.0	132464	NPQP-Y-R14-Q4	1
	2.8	6	12.5	3.4	13.5	12	47.5	11	15.9	41.5	14	8.5	132465	NPQP-Y-R14-Q6	1
	4.5	8	14.5	3.4	14.5	14	51.7	11	17.2	45.7	14	12.0	132466	NPQP-Y-R14-Q8	1
	5.3	10	18.0	4.5	18.0	18	58.5	11	19.7	52.5	17	20.0	132467	NPQP-Y-R14-Q10	1
R $\frac{3}{8}$	5.3	10	18.0	4.5	18.0	18	59.5	12	19.7	53.2	17	21.0	132468	NPQP-Y-R38-Q10	1
	6.2	12	21.0	4.2	21.0	20	64.7	12	22.4	58.4	22	28.0	132469	NPQP-Y-R38-Q12	1
R $\frac{1}{2}$	6.2	12	21.0	4.2	21.0	20	67.7	15	22.4	59.5	22	30.0	132470	NPQP-Y-R12-Q12	1

1) Packaging unit

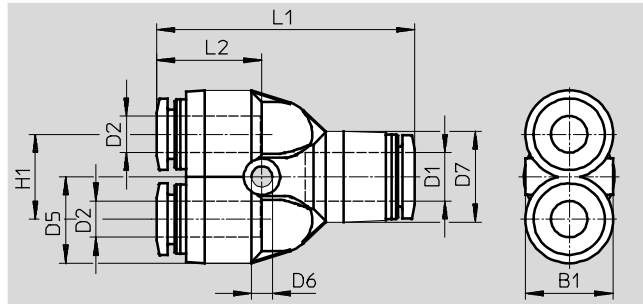
# Push-in fittings NPQP

Technical data

## Push-in Y-connector NPQP-Y



Reducing



Dimensions and ordering data													
Tubing O.D. D1	Nominal size [mm]	Tubing O.D. D2	D5 ∅	D6	D7	B1	H1	L1	L2	Weight/ piece [g]	Part No.	Type	PU <sup>1)</sup>
4	2.3	4	10.0	3.4	10.0	10.0	11.0	33.0	14.2	6.5	<b>132571</b>	<b>NPQP-Y-Q4-E</b>	<b>1</b>
6	3.6	6	12.5	3.4	13.0	13.5	12.0	38.0	15.9	9.0	<b>132572</b>	<b>NPQP-Y-Q6-E</b>	<b>1</b>
8	4.6	8	14.5	3.4	15.0	14.5	14.0	42.4	17.2	13.0	<b>132573</b>	<b>NPQP-Y-Q8-E</b>	<b>1</b>
10	5.9	10	18.0	4.5	18.0	18.0	18.0	48.8	19.7	22.0	<b>132574</b>	<b>NPQP-Y-Q10-E</b>	<b>1</b>
12	7.0	12	21.0	4.2	21.5	21.0	20.0	55.2	22.4	31.0	<b>132575</b>	<b>NPQP-Y-Q12-E</b>	<b>1</b>
Reducing													
6	2.3	4	12.5	3.4	13.0	13.5	12.0	37.4	15.3	8.5	<b>132577</b>	<b>NPQP-Y-Q6-Q4</b>	<b>1</b>
8	3.6	6	14.5	3.4	15.0	14.5	14.0	42.6	17.4	11.5	<b>132578</b>	<b>NPQP-Y-Q8-Q6</b>	<b>1</b>
10	4.7	8	18.0	4.5	18.0	18.0	18.0	48.3	19.2	18.5	<b>132579</b>	<b>NPQP-Y-Q10-Q8</b>	<b>1</b>
12	5.9	10	21.0	4.2	21.5	21.0	20.0	55.0	22.2	28.5	<b>132580</b>	<b>NPQP-Y-Q12-Q10</b>	<b>1</b>

1) Packaging unit