

Multiple connectors KSV/KDVF



Multiple connectors KSV/KDVF

Technical data



Multi-plug KSV Multi-socket KDVF

- - Temperature range
-10 ... +60 °C

- - Operating pressure
-0.95 ... 16 bar

The plug and socket connections are numbered, and a locating lug prevents them from being incorrectly matched during connection. The connector is tightened and secured with a retaining ring. The multi-plug has a half-shell housing and can accommodate a conduit. An additional internal sleeve ensures strain relief for the tubing, and protects it against damage.



General technical data							
Multi-plug	KSV-5	KSV-8	KSV-16-B	KSV-32-B	KSV6-7	KSV6-12	KSV6-22
Multi-socket	KDVF-5	KDVF-8	KDVF-16-B	KDVF-32-B	KDVF6-7	KDVF6-12	KDVF6-22
Max. connections	5	8	16	32	7	12	22
Pneumatic connection	PK-2 PK-3 PK-4				PK-6		
Type of mounting	Mounting flange on multi-socket						
Weights [g] (multi-plug with multi-socket)	113	164	287	505	151	229	338

Operating and environmental conditions		
Multi-plug	KSV-...	
Multi-socket	KDVF-...	
Operating medium	Compressed air in accordance with ISO 8573-1:2010 [7:-:-]	Compressed air in accordance with ISO 8573-1:2010 [7:-:-]
Note on operating/pilot medium	Operation with lubricated medium possible (in which case lubricated operation will always be required)	Operation with lubricated medium possible (in which case lubricated operation will always be required)
Operating pressure [bar]	-0.95 ... +16 ¹⁾	-0.95 ... +10 ¹⁾
Ambient temperature [°C]	-10 ... +60	
Corrosion resistance class CRC ²⁾	2	

1) observe operating range of tubing

2) CRC2: Corrosion resistance class to Festo standard 940 070

Components with medium corrosion exposure. Externally visible components with significant decorative function in direct contact with normal industrial atmosphere or media such as coolants and lubricants.

Materials	
Housing	Polyacetale
Nipple	Brass
Eye nut	Aluminium
Colour	Grey

Multi-plug

Multi-socket

Multi-plugs, multi-sockets, terminal plugs and sockets must be ordered separately in accordance with the number of connections required.

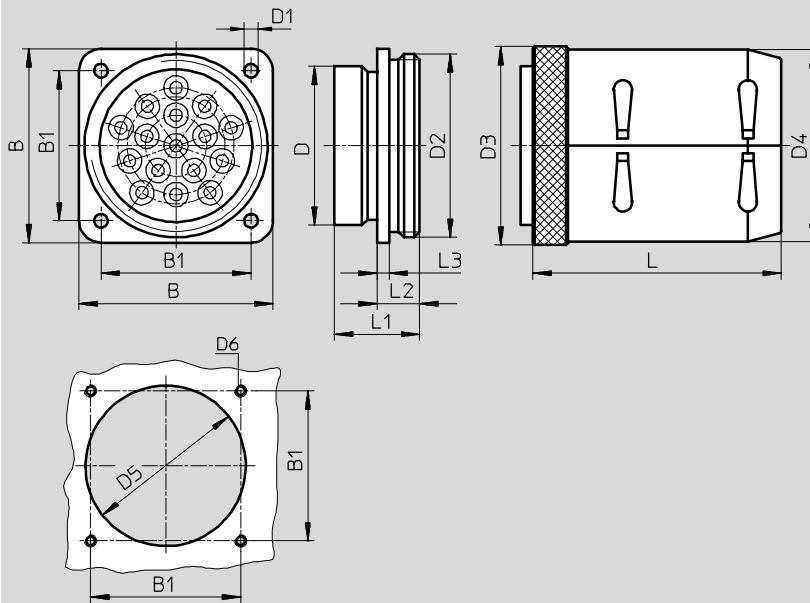
Multiple connectors KSV/KDVF

Technical data

FESTO

Dimensions

Download CAD data → www.festo.com



Max. connections	B	B1	D Ø	D1 Ø	D2	D3 Ø	D4 Ø	D5 min. Ø	D6	L	L1	L2	L3
5	41.2	31.7	30	4.5	M36x1.5	42	40	30.5	M4	71	23.5	13.5	3.5
7	50.8	39.6	40	4.5	M45x1.5	50	50	40.5	M4	77	23.5	13.5	3.5
8	50.8	39.6	40	4.5	M45x1.5	50	50	40.5	M4	77	23.5	13.5	3.5
12	63.5	49.2	52	4.5	M60x1.5	65	63	52.5	M4	82	28	14	4
16	63.5	49.2	52	4.5	M60x1.5	65	63	52.5	M4	82	28	14	4
22	82.6	66.6	70	6.6	M80x1.5	88	80	70.5	M6	87	29	15	4
32	82.6	66.6	70	6.6	M80x1.5	88	80	70.5	M6	87	29	15	4

Ordering data


Max. connections	For pneumatic connection	Tubing I.D.	Multi-plug		Multi-socket		
			Part No.	Type	Part No.	Type	
5	PK-2	2	7 557	KSV-5	7 562	KDVF-5	
8			7 558	KSV-8		7 563	KDVF-8
16			7 559	KSV-16-B		7 564	KDVF-16-B
32	PK-4	4	7 560	KSV-32-B	7 565	KDVF-32-B	
7			152 506	KSV6-7	152 509	KDVF6-7	
12			152 507	KSV6-12	152 510	KDVF6-12	
22			152 508	KSV6-22	152 511	KDVF6-22	

Multiple connectors KSV/KDVF

Accessories

FESTO

Terminal plug KSV
Terminal socket KDVF

 Operating pressure
0 ... 8 bar

Note on materials KSV-...:
Contains paint-wetting impairment
substances



Dimensions and ordering data				
Pneumatic connection	Weight [g]	Part No.	Type	PU*
Terminal plug				
PK-2	5	33 384	KSV-PK-2	10
PK-3	5	7 215	KSV-PK-3	10
PK-4	5	7 216	KSV-PK-4	10
PK-6	8	117 945	KSV6-PK-6	10
Terminal socket				
PK-2	3	244 937	KDV-PK-2	10
PK-3	3	208 378	KDV-PK-3	10
PK-4	3	208 380	KDV-PK-4	10
PK-6	4	337 348	KDV6-PK-6	10

* Packaging unit quantity