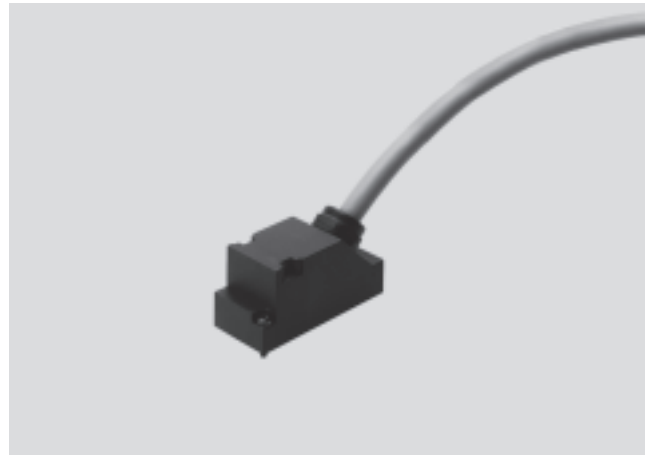


# Electrical connection technology, for multi-pin plug connection

Technical data – KMP4-...

- Plug socket with cable for multi-pin connection
- Pre-assembled
- Cable lengths of 5 m or 10 m
- 9-pin or 25-pin
- Sub-D
- Suitable for chain link trunking



General technical data		
Type	KMP4-9P-...	KMP4-25P-...
Type of mounting	2 M3x16 screws	
Mounting position	Any	
Electrical connection	9-pin Sub-D socket	25-pin Sub-D socket
Nominal operating voltage [V DC]	24	
Current-carrying capacity [A]	3	
Cable composition [mm <sup>2</sup> ]	10x0.25	25x0.25
Protection class to EN 60 529	IP65 (assembled)	
Material of housing	Polyamide (Schulamid, 6GB30)	
Material of contacts	Gold-plated copper base alloy	
Material of seal	Nitrile rubber (NBR)	
Ambient temperature [°C]	-40 ... +70	
Ambient temperature of flexible cable installation [°C]	-5 ... +70	

Ordering data						
	Material of cable sheath	Product weight [g]	Cable diameter [mm]	Cable length [m]	Type	Part No.
	Polyurethane	330	7.7	5	KMP4-9P-5-PUR	193 014
	Polyvinyl chloride	426	7.7	5	KMP4-9P-5-PVC	193 012
	Polyurethane	675	8.3	10	KMP4-9P-10-PUR	193 015
	Polyvinyl chloride	792	8.3	10	KMP4-9P-10-PVC	193 013
	Polyurethane	732	10.8	5	KMP4-25P-5-PUR	193 018
	Polyvinyl chloride	854	10.8	5	KMP4-25P-5-PVC	193 016
	Polyurethane	1411	11.2	10	KMP4-25P-10-PUR	193 019
	Polyvinyl chloride	1617	11.2	10	KMP4-25P-10-PVC	193 017

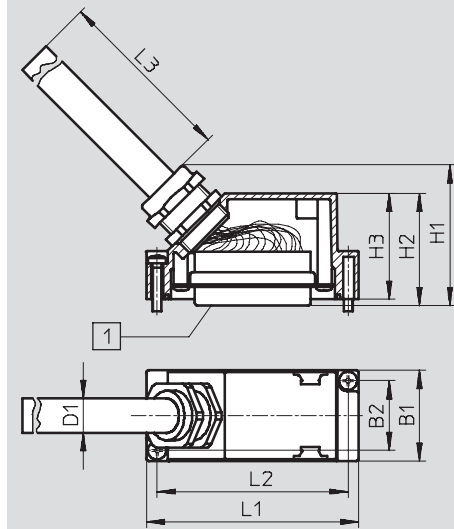
# Electrical connection technology, for multi-pin plug connection

Technical data – KMP4-...

## Dimensions

Download CAD data → [www.festo.com](http://www.festo.com)

KMP4-...



Type	1	B1	B2	D1	H1	H2	H3	L1	L2	L3
KMP4-09P-...-PVC	9-pin Sub-D socket	30	23	8.3	43	37	35	50	43	Length according to type (5 m or 10 m)
KMP4-09P-...-PUR	9-pin Sub-D socket	30	23	7.7	43	37	35	50	43	
KMP4-25P-...-PVC	25-pin Sub-D socket	30	23	11.2	47	37	35	70	63	
KMP4-25P-...-PUR	25-pin Sub-D socket	30	23	10.8	47	37	35	70	63	

## Wiring allocation (socket view)

KMP4-9P-...

	Pin	Core colour	Pin	Core colour
	1	White	6	Blue
	2	Green	7	Red
	3	Yellow	8	Purple
	4	Grey	9	Black
	5	Pink	–	Brown

KMP4-25P-...

	Pin	Core colour	Pin	Core colour
	1	White	14	Yellow-brown
	2	Green	15	White-grey
	3	Yellow	16	Grey-brown
	4	Grey	17	White-pink
	5	Pink	18	Pink-brown
	6	Blue	19	White-blue
	7	Red	20	Brown-blue
	8	Purple	21	White-red
	9	Grey-pink	22	Brown-red
	10	Red-blue	23	White-black
	11	White-green	24	Brown
	12	Brown-green	25	Black
	13	White-yellow		