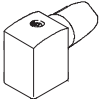

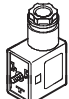
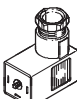
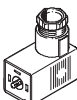




## **Plug Sockets**




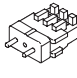


# Plug sockets

Product range overview

Design	Type	For solenoid coil (valves with solenoid coil)											→ Page/Internet
		D	E	EB	F	N1	N2	V	Y	Z	ZB	ZC	
	MSSD-F MSSD-F-M16 MSSD-F-S-M16	-	-	-	■	-	-	-	-	-	-	-	2
	MSSD-C MSSD-C-M16 MSSD-C-S-M16	■	-	-	-	■	-	-	-	-	-	-	3
	MSSD-V MSSD-V-M16	-	-	-	-	-	-	■	-	-	-	-	5
	MSSD-E MSSD-E-M12	-	■	-	-	-	-	-	-	-	-	-	6
	MSSD-EB MSSD-EB-M12 MSSD-EB-S-M14	-	-	■	-	-	■	-	-	-	-	-	7
	MSSD-MY <sup>1</sup>	-	-	-	-	-	-	-	■	■	-	-	8
	MSSD-ZBZC	-	-	-	-	-	-	-	-	-	■	■	9

<sup>1</sup> - To be discontinued

 Note  
Allocation of solenoid coils to valve types → [www.festo.com](http://www.festo.com)

Design	Type	For miniature valves	For proportional valves	For valves with central plug		→ Page/Internet
		MHA1...-PI/ MHP1...-PI	MPPE/MPPES	ISO 15 407-1	ISO 5599-1	
	PCBC	■	-	-	-	10
	MPPE-3-B	-	■	-	-	11
	SEA-M12-4WD-PG7	-	-	■	■	14

# Plug sockets MSSD-F

Technical data

FESTO

- Temperature range  
-20 ... +115 °C  
-25 ... +90 °C

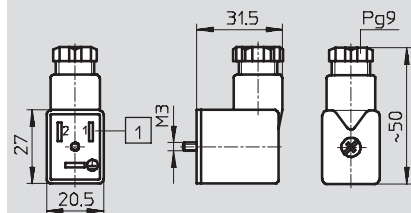
- For valves with F solenoid coils
- Cable connection using clamping screws or insulation displacement technology



General technical data			
Type	MSSD-F	MSSD-F-M16	MSSD-F-S-M16
Cable connection	Clamping screws	Clamping screws	Insulation displacement technology
Perm. cable diameter [mm]	6 ... 8	6 ... 8	5.5 ... 8
Wire cross section [mm <sup>2</sup> ]	Max. 1.5	0,75	0.5 ... 1
Number of pins	3	3	3
Cable conduit fitting	Pg9	M16	-
Type of mounting	M3 central screw	M3 central screw	M3 central screw
Connection frequency	-	50	10
Protection class to EN 60529	IP65 (assembled)	IP65 (assembled)	IP67 (assembled)
Mounting position	Any	Any	Any
Ambient temperature [°C]	-25 ... +90	-20 ... +115	-25 ... +90
Product weight [g]	17	35	35
Materials	Polymer	Polyamide	Polyamide

## Dimensions

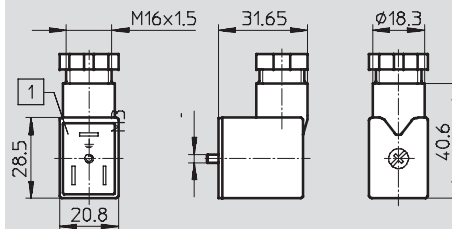
MSSD-F



1 Insert can be repositioned by 180°

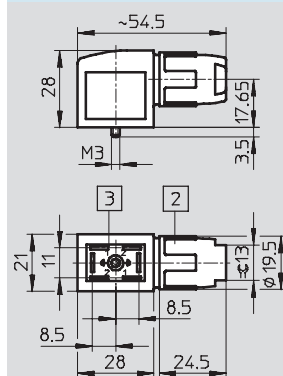
Download CAD data → [www.festo.com](http://www.festo.com)

MSSD-F-M16



1 Insert can be repositioned by 180°

MSSD-F-S-M16



- 2 Locknut M16x1
- 3 Connection side can be repositioned by 90°

With these plug sockets, instead of the cable being connected using individual clamping screws, the stranded wires are pressed into the patented insulation displacement contact when the screw is tightened.


- Strip the cable sheath
- Push it in
- Screw it in tightly
- And you're done!

## Ordering data

Part No.	Type	Cable connection	Part No.	Type	Cable connection
34431	MSSD-F	Clamping screws	192746	MSSD-F-S-M16	Insulation displacement technology
539710	MSSD-F-M16				

# Plug sockets MSSD-C

Technical data

-  - Temperature range  
-25 ... +90 °C  
-20 ... +115 °C

- For valves with D and N1 solenoid coils
- Cable connection using clamping screws or insulation displacement technology



General technical data			
Type	MSSD-C	MSSD-C-M16	MSSD-C-S-M16
Cable connection	Clamping screws	Clamping screws	Insulation displacement technology
Perm. cable diameter [mm]	6 ... 8	6 ... 8	5.5 ... 8
Wire cross section [mm <sup>2</sup> ]	Max. 1.5	Max. 1.5	0.5 ... 1
Number of pins	3	3	3
Cable conduit fitting	Pg9	M16	M16
Type of mounting	M3 central screw	M3 central screw	M3 central screw
Connection frequency	-	50	10
Protection class to EN 60 529	IP65 (assembled)	IP65 (assembled)	IP67 (assembled)
Mounting position	Any	Any	Any
Product weight [g]	22		38
Materials	Polymer	Polyamide, reinforced	Polyamide
Note on materials	RoHS-compliant	-	-

Operating and environmental conditions			
Type	MSSD-C	MSSD-C-M16	MSSD-C-S-M16
Ambient temperature [°C]	-25 ... +90	-20 ... +115	-25 ... +90
CE-marking (see declaration of conformity)	in accordance with EU low-voltage directive	-	-
Certification	Germanischer Lloyd	-	-

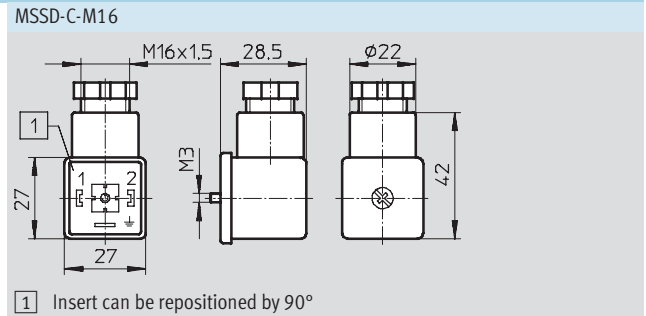
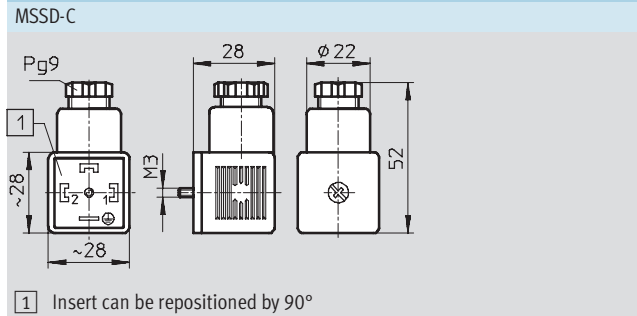
# Plug sockets MSSD-C

Technical data

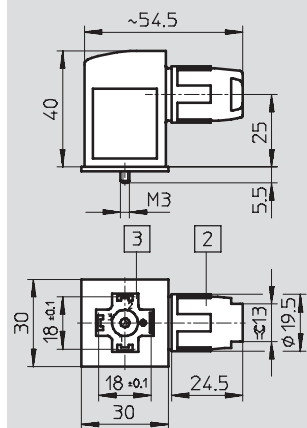
**FESTO**

## Dimensions

Download CAD data → [www.festo.com](http://www.festo.com)



## MSSD-C-S-M16



With these plug sockets, instead of the cable being connected using individual clamping screws, the stranded wires are pressed into the patented insulation displacement contact when the screw is tightened.

- Strip the cable sheath
- Push it in
- Screw it in tightly
- And you're done!


- 2 Locknut M16x1  
3 Connection side can be repositioned by 90°

## Ordering data

Clamping screws		Insulation displacement technology	
Part No.	Type	Part No.	Type
34583	MSSD-C	192748	MSSD-C-S-M16
539709	MSSD-C-M16		

# Plug sockets MSSD-V

Technical data

-  Temperature range  
-25 ... +90 °C  
-20 ... +115 °C

- For valves with V solenoid coils



General technical data		
Type	MSSD-V	MSSD-V-M16
Perm. cable diameter [mm]	6 ... 8	6 ... 8
Wire cross section [mm <sup>2</sup> ]	Max. 1.5	Max. 1.5
Number of pins	3	3
Cable conduit fitting	Pg9	M16x1.5
Type of mounting	M3 central screw	M3 central screw
Protection class to EN 60529	IP65 (assembled)	IP65 (assembled)
Mounting position	Any	Any
Ambient temperature [°C]	-25 ... +90	-20 ... +115
Product weight [g]	18	35
Materials	Polymer	Polymer

**Dimensions**


MSSD-V

1 Insert can be repositioned by 180°

Download CAD data → [www.festo.com](http://www.festo.com)

MSSD-V-M16

1 Insert can be repositioned by 180°

Ordering data			
	Description	Part No.	Type
	Plug socket for valves with V solenoid coils	33295	MSSD-V
		539713	MSSD-V-M16

# Plug sockets MSSD-E

Technical data

FESTO

Temperature range  
-25 ... +120°C

• For valves with E solenoid coils



General technical data		MSSD-E	MSSD-E-M12
Type		MSSD-E	MSSD-E-M12
Perm. cable diameter	[mm]	6 ... 8	4 ... 8
Wire cross section	[mm <sup>2</sup> ]	Max. 0.75	Max. 0.75
Number of pins		3	3
Cable conduit fitting		Pg7	M12
Type of mounting		M3 central screw	M3 central screw
Protection class to EN 60529		IP65 (assembled)	IP65 (assembled)
Mounting position		Any	Any
Ambient temperature	[°C]	-25 ... +120	-20 ... +115
Product weight	[g]	8	11
Materials		Polymer	Polymer

### Dimensions

MSSD-E

1 Insert can be repositioned by 90°

[Download CAD data → www.festo.com](http://www.festo.com)

MSSD-E-M12

1 Insert can be repositioned by 90°

Ordering data		Part No.	Type
	Plug socket for valves with E solenoid coils	14098	MSSD-E
		539711	MSSD-E-M12



# Plug sockets MSSD-EB

Technical data

- Temperature range  
-45 ... +90°C  
-40 ... +120°C

- For valves with EB and N2 solenoid coils



General technical data			
Type	MSSD-EB	MSSD-EB-M12	MSSD-EB-S-M14
Cable connection	Clamping screws	Clamping screws	Insulation displacement technology
Perm. cable diameter [mm]	6 ... 8	6 ... 8	4 ... 6
Wire cross section [mm <sup>2</sup> ]	Max. 0.75	Max. 1,5	0.25 ... 0.5
Number of pins	3	3	3
Cable conduit fitting	Pg7	M12	-
Type of mounting	M2.5 central screw	M2.5 central screw	M2.5 central screw
Connection frequency	-	50	10
Protection class to EN 60529	IP65 (assembled)	IP65 (assembled)	IP67 (assembled)
Mounting position	Any	Any	Any
Ambient temperature [°C]	-45 ... +90	-40 ... +125	-25 ... +90
Product weight [g]	11	11	17
Materials	Polymer	Polyamide	Polyamide

### Dimensions

#### MSSD-EB

1 Insert can be repositioned by 90°

Download CAD data → [www.festo.com](http://www.festo.com)

#### MSSD-EB-M12

1 Insert can be repositioned by 90°

#### MSSD-EB-S-M14

1 Locknut M14x1  
3 Connection side can be repositioned by 90°

With these plug sockets, instead of the cable being connected using individual clamping screws, the stranded wires are pressed into the patented insulation displacement contact when the screw is tightened.

- Strip the cable sheath
- Push it in
- Screw it in tightly
- And you're done!


Ordering data					
Part No.	Type	Cable connection	Part No.	Type	Cable connection
151687	MSSD-EB	Clamping screws	192745	MSSD-EB-S-M14	Insulation displacement technology
539712	MSSD-EB-M12				

**Do not use for new designs!**  
 -  - Type to be discontinued

## Plug sockets MSSD-MY

Technical data

FESTO

-  - Temperature range  
 -25 ... +80°C

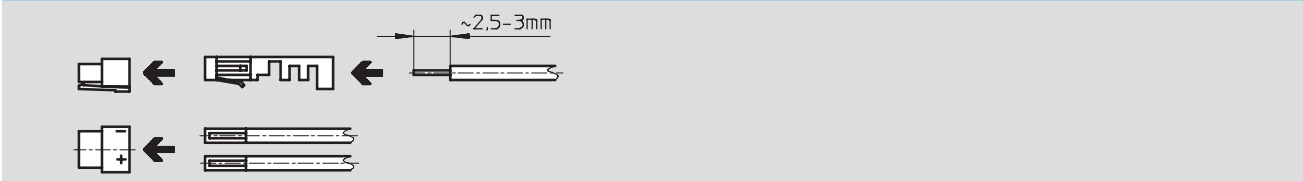
• For valves with Y and Z solenoid coils

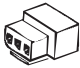



General technical data		
Perm. cable diameter	[mm]	6 ... 8
Wire cross section	[mm <sup>2</sup> ]	Max. 0.3
Number of pins		2
Type of mounting		Clip
Protection class to EN 60 529		IP00
Mounting position		Any
Ambient temperature	[°C]	-25 ... +80
Product weight	[g]	2
Materials		Polymer

### Assembly instructions for MSSD-MY and MSSD-MY-C

Download CAD data → [www.festo.com](http://www.festo.com)



Ordering data			
	Description	Part No.	Type
	Plug socket for valves with Y and Z solenoid coils	<b>34 345</b>	<b>MSSD-MY</b>
	Crimp connectors for plug socket MSSD-MY	<b>34 346</b>	<b>MSSD-MY-C</b>

# Plug sockets MSSD-ZBZC

## Technical data


-  Temperature range  
-10 ... +50°C
- For valves with ZB and ZC solenoid coils



General technical data	
Wire cross section [mm <sup>2</sup> ]	0.22 ... 0.34
Number of pins	2
Type of mounting	Self-tapping central screw
Protection class to EN 60 529	IP40 (assembled)
Mounting position	Any
Ambient temperature [°C]	-10 ... +50
Product weight [g]	11
Material	Polyamide


## Dimensions Download CAD data → [www.festo.com](http://www.festo.com)

- 1 Mounting screw
- 2 Inscription label
- 4 Connection pattern for ZB solenoid coil
- 5 Connection pattern for ZC solenoid coil

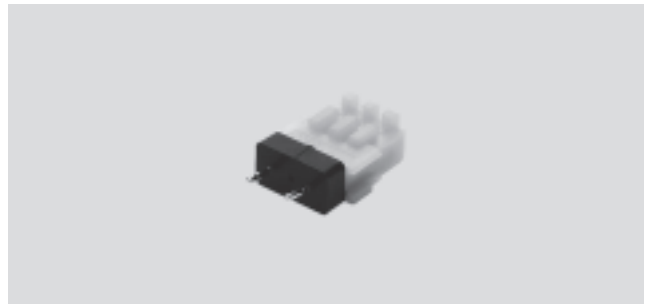
Ordering data			
	Description	Part No.	Type
	Plug socket for valves with ZB and ZC solenoid coils	<b>185 521</b>	<b>MSSD-ZBZC</b>

# Soldering base PCBC

Technical data

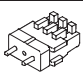
-  - Temperature range  
-40 ... +115°C

- For mounting miniature valves MHA1 and MHP1 on a PCB with plug connection underneath (-PI)



General technical data		
Number of pins		2
Type of mounting		Soldering base
Protection class to EN 60 529		IP40 (assembled)
Mounting position		Any
Ambient temperature	[°C]	-40 ... +115
Product weight	[g]	5
Materials		Polyamide

**Dimensions** Download CAD data → [www.festo.com](http://www.festo.com)

Ordering data				
	Description	Part No.	Type	PU <sup>1)</sup>
	Soldering base	197 261	PCBC-A-10	10
		197 262	PCBC-A-100	100

1) Packaging unit quantity

# Plug sockets MPPE-3-B

Technical data

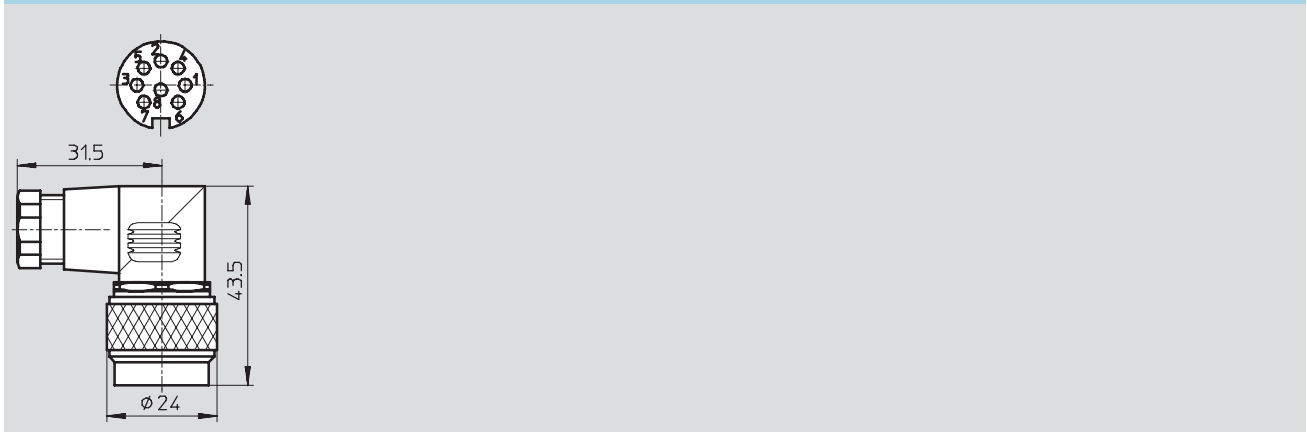

 Temperature range  
 -40 ... +85°C

- For proportional pressure regulators MPPE and MPPES



General technical data		
Wire cross section	[mm <sup>2</sup> ]	Max. 0.75
Number of pins		8
Type of mounting		Knurled locknut M16x0.75
Mounting position		Any
Ambient temperature	[°C]	-40 ... +85
Product weight	[g]	42

## Dimensions Download CAD data → [www.festo.com](http://www.festo.com)



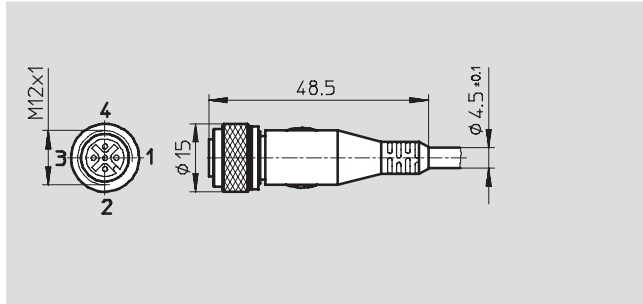
Ordering data		
	Description	Part No. Type
	Plug socket for proportional pressure regulators MPPE and MPPES	<b>161 839</b> MPPE-3-B

# Plug sockets with cable SIM

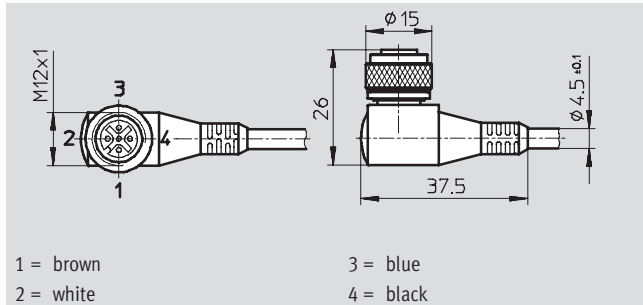
Technical data – M12x1, 4-pin

FESTO

## SIM-M12-4GD-5-PU



## SIM-M12-4WD-5-PU



General technical data			
			SIM-M12-4...-5-PU
Electrical data			
Electrical connection		Straight or angled socket, M12x1, 4-pin	
Acceptable current load	[A]	2.8	
Operating voltage range	AC	[V]	≤45
	DC	[V]	≤70
Protection class to EN 60 529		IP65/IP67	
Design			
Cable length	[m]	5	
Cable composition	[mm <sup>2</sup> ]	4x 0.25	
Wire ends		Tin-plated	
Ambient temperature			
Fixed cable installation	[°C]	-40 ... +70	
Flexible cable installation	[°C]	-5 ... +70	
Materials			
Cable sheath		Polyurethane	

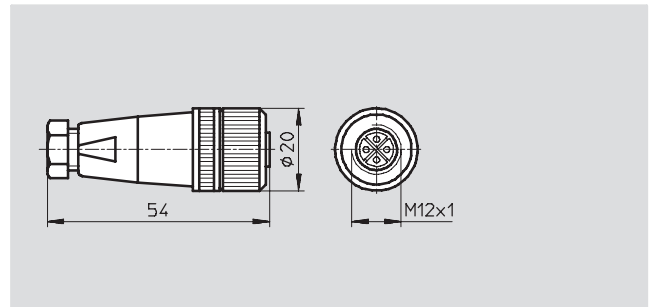
Ordering data					
		Part No.	Type	Part No.	Type
Connection direction		In-line		Lateral	
Cable length [m]	5	164 259	SIM-M12-4GD-5-PU	164 258	SIM-M12-4WD-5-PU

# Plug sockets SIE

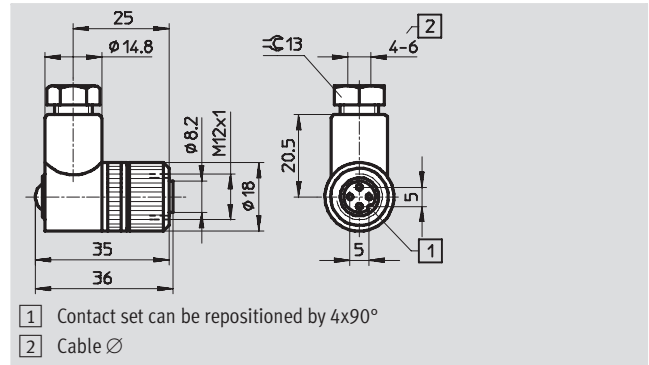
Technical data

FESTO

## Straight connection socket



## Angled connection socket



General technical data			In-line	Lateral
Connection direction			Straight socket, M12x1, 4-pin	Angled socket, M12x1, 4-pin
Electrical connection				
Operating voltage range	AC	[V]	0 ... 250	
	DC	[V]	0 ... 250	
Acceptable current load at 40 °C		[A]	4	
Surge capacity		[kV]	2.5	
Cable connection			Screw terminal	
Permissible cable diameter		[mm]	4 ... 6	
Connection cross section		[mm <sup>2</sup> ]	0.25 ... 0.75	
Max. tightening torque		[Nm]	0.5	
Protection class to EN 60529			IP67 (assembled)	
Conforms to			EN 61076-2-101, EN 61984	
Housing material			Polyamide	
Union nut material			Polyamide	
Note on materials			RoHS-compliant	

Operating and environmental conditions		
Ambient temperature [°C]		
-25 ... +85		
CE mark (see declaration of conformity)		
To EU Low Voltage Directive		
Degree of contamination		
3		

Ordering data				
	Part No.	Type	Part No.	Type
Connection direction		In-line	Lateral	
Plug socket	18 494	SIE-GD	12 956	SIE-WD-TR

# Plug sockets SEA-M12-WD

Technical data

FESTO

•  Temperature range  
-40 ... +85°C

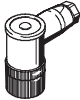
• For valves to ISO 15 407-1  
(VDMA 24 563) and ISO 5599-1  
with central plug M12x1



General technical data		
Perm. cable diameter	[mm]	4 ... 6
Wire cross section	[mm <sup>2</sup> ]	Max. 0.75
Number of pins		4
Cable conduit fitting		Pg7
Type of mounting		Knurled locknut M12x1
Protection class to EN 60 529		IP67 (assembled)
Mounting position		Any
Ambient temperature	[°C]	-40 ... +85
Product weight	[g]	30
Material	Housing	Polybutylene terephthalate
	Contacts	Tin-coated bronze

**Dimensions** Download CAD data → [www.festo.com](http://www.festo.com)

1 Contact set can be repositioned by 4x90°  
2 Perm. cable diameter

Ordering data			
	Description	Part No.	Type
	Plug socket for valves to ISO 15 407-1 (VDMA 24 563) and ISO 5599-1 with central plug M12x1	<b>185 498</b>	<b>SEA-M12-4WD-PG7</b>



# Plug sockets KMYZ-4

Technical data

- Temperature range  
-10 ... +50 °C

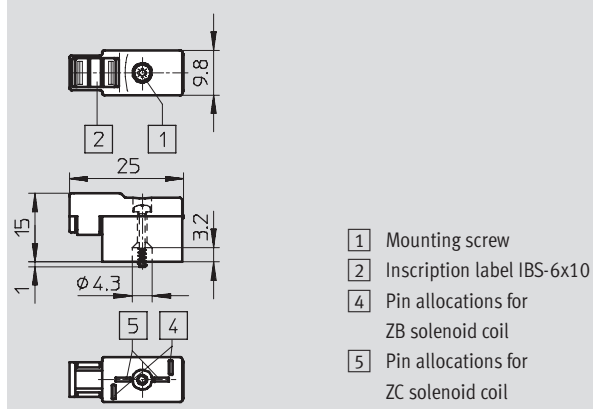
- For use with intrinsically safe CPV valve terminals



General technical data	
Electrical connection	Angled socket, square design MSZB
Wire cross section [mm <sup>2</sup> ]	0.22 ... 0.34
Number of pins	2
Type of mounting	Self-tapping central screw
Protection class to EN 60529	IP40 (assembled)
Operating voltage range [V DC]	3 ... 36
Nominal operating voltage [V DC]	24
Mounting position	Any
Ambient temperature [°C]	-10 ... +50
Product weight [g]	6.5
Housing material	Polyamide
Note on material	Conforms to RoHS
Corrosion resistance class CRC <sup>1)</sup>	1
Certification	Germanischer Lloyd

1) Corrosion resistance class 1 to Festo standard 940 070  
Components requiring low corrosion resistance. Transport and storage protection. Parts that do not have primarily decorative surface requirements, e.g. in internal areas that are not visible or behind covers.

## Dimensions Download CAD data → [www.festo.com](http://www.festo.com)



Ordering data			
	Description	Part No.	Type
	Plug socket for use with intrinsically safe CPV valve terminals	550 806	KMYZ-4-0.0-B-EX



# Product Range and Company Overview

## A Complete Suite of Automation Services

Our experienced engineers provide complete support at every stage of your development process, including: conceptualization, analysis, engineering, design, assembly, documentation, validation, and production.



**Custom Automation Components**  
Complete custom engineered solutions



**Custom Control Cabinets**  
Comprehensive engineering support and on-site services



**Complete Systems**  
Shipment, stocking and storage services

## The Broadest Range of Automation Components

With a comprehensive line of more than 30,000 automation components, Festo is capable of solving the most complex automation requirements.



**Electromechanical**  
Electromechanical actuators, motors, controllers & drives



**Pneumatics**  
Pneumatic linear and rotary actuators, valves, and air supply



**PLCs and I/O Devices**  
PLC's, operator interfaces, sensors and I/O devices

## Supporting Advanced Automation... As No One Else Can!

Festo is a leading global manufacturer of pneumatic and electromechanical systems, components and controls for industrial automation, with more than 12,000 employees in 56 national headquarters serving more than 180 countries. For more than 80 years, Festo has continuously elevated the state of manufacturing with innovations and optimized motion control solutions that deliver higher performing, more profitable automated manufacturing and processing equipment. Our dedication to the advancement of automation extends beyond technology to the education and development of current and future automation and robotics designers with simulation tools, teaching programs, and on-site services.

## Quality Assurance, ISO 9001 and ISO 14001 Certifications

Festo Corporation is committed to supply all Festo products and services that will meet or exceed our customers' requirements in product quality, delivery, customer service and satisfaction.

To meet this commitment, we strive to ensure a consistent, integrated, and systematic approach to management that will meet or exceed the requirements of the ISO 9001 standard for Quality Management and the ISO 14001 standard for Environmental Management.



© Copyright 2008, Festo Corporation. While every effort is made to ensure that all dimensions and specifications are correct, Festo cannot guarantee that publications are completely free of any error, in particular typing or printing errors. Accordingly, Festo cannot be held responsible for the same. For Liability and Warranty conditions, refer to our "Terms and Conditions of Sale", available from your local Festo office. All rights reserved. No part of this publication may be reproduced, distributed, or transmitted in any form or by any means, electronic, mechanical, photocopying or otherwise, without the prior written permission of Festo. All technical data subject to change according to technical update.



Printed on recycled paper at New Horizon Graphic, Inc., FSC certified as an environmentally friendly printing plant.

# Festo North America

## United States

**Customer Resource Center**  
502 Earth City Expy., Suite 125  
Earth City, MO 63045

For ordering assistance, or to find  
your nearest Festo Distributor,

**Call:** 1.800.99.FESTO

**Fax:** 1.800.96.FESTO

**Email:** [customer.service@us.festo.com](mailto:customer.service@us.festo.com)

For technical support,

**Call:** 1.866.GO.FESTO

**Fax:** 1.800.96.FESTO

**Email:** [product.support@us.festo.com](mailto:product.support@us.festo.com)

### Headquarters

Festo Corporation  
395 Moreland Road  
P.O. Box 18023  
Hauppauge, NY 11788  
[www.festo.com/us](http://www.festo.com/us)

---

### Sales Offices

#### Appleton

N. 922 Tower View Drive, Suite N  
Greenville, WI 54942

#### Boston

120 Presidential Way, Suite 330  
Woburn, MA 01801

#### Chicago

1441 East Business Center Drive  
Mt. Prospect, IL 60056

#### Dallas

1825 Lakeway Drive, Suite 600  
Lewisville, TX 75057

#### Detroit - Automotive Engineering Center

2601 Cambridge Court, Suite 320  
Auburn Hills, MI 48326

#### New York

395 Moreland Road  
Hauppauge, NY 11788

#### Silicon Valley

4935 Southfront Road, Suite F  
Livermore, CA 94550

## Design and Manufacturing Operations



**East:** 395 Moreland Road, Hauppauge, NY 11788



**Central:** 1441 East Business Center Drive, Mt. Prospect, IL 60056



**West:** 4935 Southfront Road, Suite F, Livermore, CA 94550

---

## Mexico

### Headquarters

Festo Pneumatic, S.A.  
Av. Ceylán 3, Col. Tequesquahuac  
54020 Tlalnepantla, Edo. de México  
Call: 011 52 [55] 53 21 66 00  
Fax: 011 52 [55] 53 21 66 65  
Email: [festo.mexico@mx.festo.com](mailto:festo.mexico@mx.festo.com)  
[www.festo.com/mx](http://www.festo.com/mx)



---

## Canada

### Headquarters

Festo Inc.  
5300 Explorer Drive  
Mississauga, Ontario L4W 5G4  
Call: 1.905.624.9000  
Fax: 1.905.624.9001  
Email: [info.ca@ca.festo.com](mailto:info.ca@ca.festo.com)  
[www.festo.com/ca](http://www.festo.com/ca)



---

## Festo Worldwide

Argentina Australia Austria Belarus Belgium Brazil Bulgaria Canada Chile China Colombia Croatia Czech Republic Denmark  
Estonia Finland France Germany Great Britain Greece Hong Kong Hungary India Indonesia Iran Ireland Israel Italy Japan  
Latvia Lithuania Malaysia Mexico Netherlands New Zealand Norway Peru Philippines Poland Romania Russia Serbia Singapore  
Slovakia Slovenia South Africa South Korea Spain Sweden Switzerland Taiwan Thailand Turkey Ukraine United States Venezuela

[www.festo.com](http://www.festo.com)