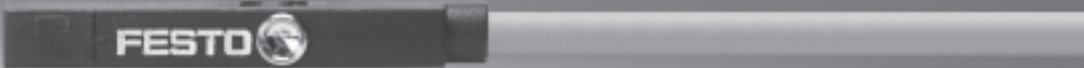


Proximity sensors SMT/SME-10, for C-slot



Proximity sensors SMT/SME

Product range overview

Design	Type of mounting	Measuring principle	Type	Operating voltage range	Switching output	Switching element function	→ Page/Internet
For C-slot	Standard						
	Insertable in slot from above, flush with cylinder profile	Magneto-resistive	SMT-10M	10 ... 30 V DC	PNP	N/O contact	7
					NPN		
					Non-contacting, 2-wire		
		SMT-10F	5 ... 30 V DC	10 ... 30 V DC	PNP	N/O contact	18
					NPN		
					Non-contacting, 2-wire		
	Magnetic reed	SME-10M	5 ... 30 V AC/DC	Contacting, bipolar	N/O contact	12	
		SME-10F	10 ... 30 V AC/DC 5 ... 30 V AC/DC	Contacting, bipolar	N/O contact	22	
	Insertable in slot lengthwise	Magneto-resistive	SMT-10G	10 ... 30 V DC	PNP	N/O contact	33
Magneto-resistive		SMT-10	10 ... 30 V DC	PNP NPN	N/O contact	27	
Magnetic reed		SME-10	12 ... 27 V AC/DC	Contacting	N/O contact	30	
For T-slot	Standard						
	Insertable in slot from above, flush with cylinder profile	Magneto-resistive	SMT-8M	10 ... 30 V DC	PNP	N/O contact	t-slot
					NPN	N/O contact	
					N/C contact		
	Magnetic reed	SME-8M	5 ... 30 V AC/DC	Contacting, bipolar	N/O contact	N/C contact	
					N/O contact		
	Insertable in slot lengthwise, flush with cylinder profile	Magneto-resistive	SMT-8	10 ... 30 V DC	PNP	N/O contact	
					NPN		
	Insertable in slot lengthwise, flush with cylinder profile	Magnetic reed	SME-8	12 ... 30 V AC/DC 3 ... 230 V AC/DC 5 ... 250 V AC/DC	Contacting, bipolar	N/O contact	N/C contact N/O contact
						N/O contact	
						N/O contact	
	Insertable in slot lengthwise	Magneto-resistive	SMT-8G	10 ... 30 V DC	PNP	N/O contact	
		Inductive	SMT-8-SL	10 ... 30 V DC	PNP	N/O contact	
		Magnetic reed	SME-8-SL	10 ... 30 V AC/DC	Contacting, bipolar	N/O contact	
	Insertable in slot from above	Magnetic reed	SME-8-FM	10 ... 30 V AC/DC	Contacting, bipolar	N/O contact	
	Via accessories	Magneto-resistive	SMT0-8E	10 ... 30 V DC	PNP	N/O contact	
					NPN		
		Magnetic reed	SME0-8E	12 ... 30 V DC 3 ... 250 V DC 3 ... 230 V AC	Contacting, bipolar	N/O contact	
	Corrosion resistant						
	Insertable in slot lengthwise, flush with cylinder profile	Magneto-resistive	CRSMT-8	10 ... 30 V DC	PNP	N/O contact	t-slot
Welding field immune							
Via accessories	Magneto-inductive	SMTSO-8E	10 ... 30 V DC	PNP NPN	N/O contact	t-slot	
Heat resistant up to 120 °C							
Insertable in slot lengthwise, flush with cylinder profile	Magnetic reed	SME-8-...-S6	0 ... 30 V AC/DC	Contacting, bipolar	N/O contact	t-slot	
Via accessories	Magnetic reed	SME0-8E-...-S6	0 ... 30 V DC	Contacting	N/O contact	t-slot	
			0 ... 30 V AC				

Proximity sensors SMT/SME

Selection aid

FESTO

Drive	SMT-8, SMT0-8E CRSMT-8 SME-8, SME0-8E SMPO-8E	SMT-10 SME-10	SMT0-4U SME0-4U CRSME0-4	SMT0-1 SMT0-6 SME0-1 SMPO-1	SMT-C1
Standards-based cylinders					
Standard cylinders DSNU, ESNU	∅ 8 ... 25 mm	■	■	■	-
Standard cylinders DSN, ESN	∅ 8 ... 25 mm	■	■	■	-
Standard cylinders DNCB		■	-	-	-
Standard cylinders DNC		■	-	-	-
Standard cylinders DNG		■	-	■	-
Standard cylinders CDN-...-R with sensor rail		-	-	-	■
Standard cylinders ADN		■	-	-	-
Cylinders with piston rod					
Compact cylinders ADVU, AEVU		■	-	-	-
Short-stroke cylinders ADVC, AEVC	∅ 6 ... 25 mm	-	■	-	-
	∅ 32 ... 100 mm	■	-	-	-
Flat cylinders EZH-10/40-40-A-B		■	-	-	-
Flat cylinders DZF		■	-	-	-
Flat cylinders DZH	∅ 16 ... 25 mm	■	-	-	-
	∅ 32 ... 63 mm	-	-	■	-
Round cylinders DSNU, ESNU	∅ 32 ... 63 mm	■	■	■	-
Round cylinders DSW, ESW		■	■	■	-
Round cylinders DSEU, ESEU		■	■	■	-
Multimount cylinders DMM, EMM		■	-	-	-
Round cylinders CRDG		-	-	■	-
Round cylinders CRDSW		■	■	■	-
Standard cylinders CRHD		■	-	-	-
Standard cylinders CRDSNU		■	-	■	-
Standard cylinders CRDNG		■	-	■	-
Standard cylinders CRDNGS		■	-	■	-
Rodless cylinders					
Linear drives DGC	∅ 8, 12 mm	-	■	-	-
	∅ 18 ... 63 mm	■	-	-	-
Linear drives DGP, DGPL		■	-	-	-
Linear drives SLG		-	■	-	-
Linear drives DGO		-	-	■	-
Linear drives SLM		■	-	-	-
Semi-rotary drives					
Swivel modules DSM	∅ 6 ... 10 mm	-	■	-	-
Swivel modules DSM-B	∅ 12 ... 40 mm	-	■	-	-
	∅ 63 mm	■	-	-	-
Semi-rotary drives DRQ	∅ 16 ... 32 mm	■	-	-	-
	∅ 40 ... 100 mm	-	-	■	-
Semi-rotary drives DRQD	∅ 6 ... 12 mm	-	■	-	-
	∅ 16 ... 32 mm	■	-	-	-
Technical data → Page/Internet	t-slot	7	smt0, crsmeo	smt0	smt-c1

Proximity sensors SMT/SME

Selection aid

FESTO

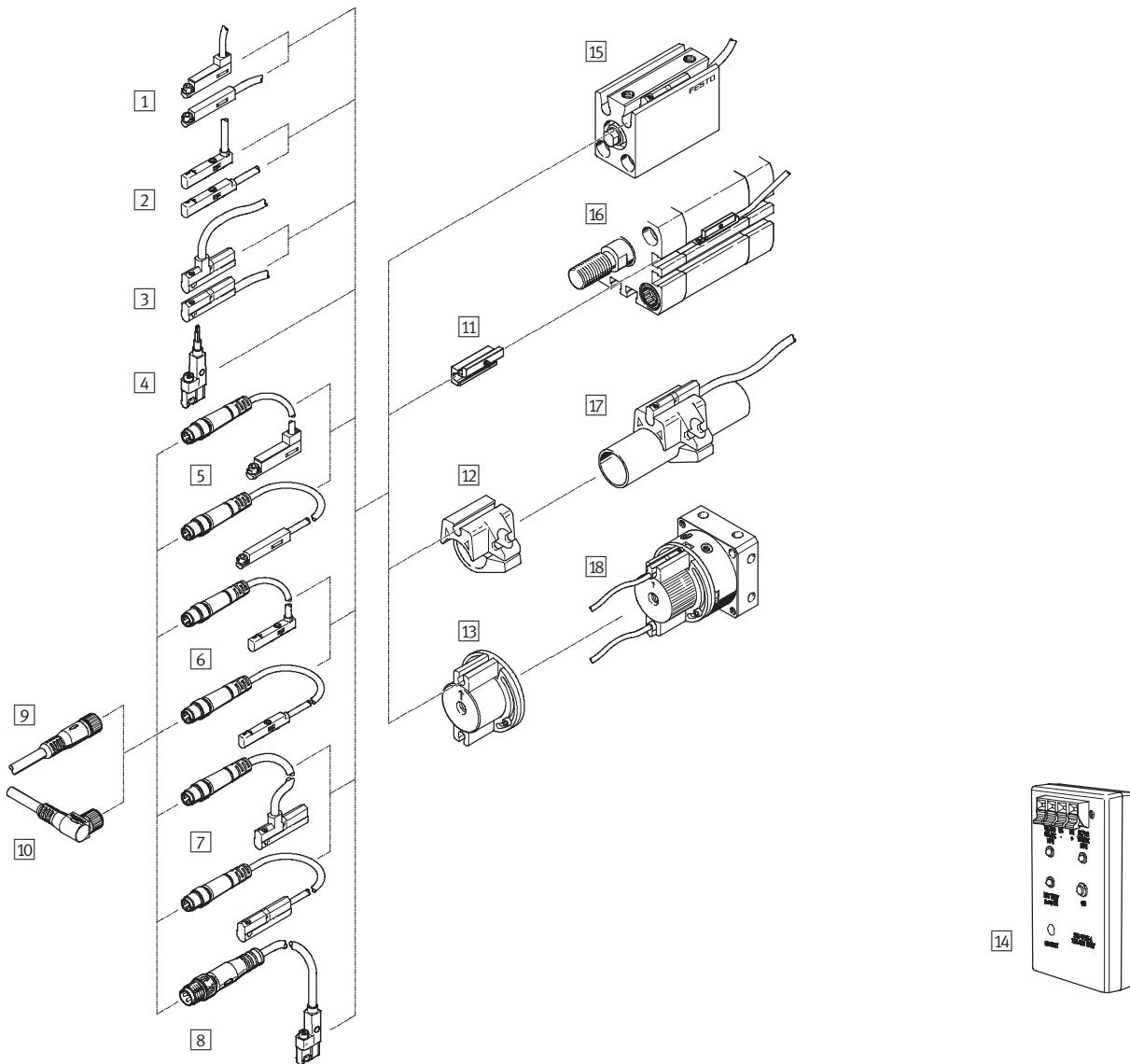
Drive	SMT-8, SMT0-8E CRSMT-8 SME-8, SME0-8E, SMPO-8E	SMT-10 SME-10	SMH-S1
Function-oriented drives			
Stopper cylinders STA, STAF	■	-	-
Linear/swivel clamps CLR	■	-	-
Swivel/linear units DSL	■	-	-
Swivel/linear units DSL-B	-	■	-
Drives with linear guide			
Mini slides SLS, SLF, SLT	-	■	-
Mini slides DGSL	-	■	-
Twin-piston cylinders SPZ	■	-	-
Slide units SLZ	■	-	-
Guided drives DFP	∅ 6 ... 16 mm	-	■
	∅ 25 ... 80 mm	■	-
Mini guide units DFC	-	■	-
Guide units DFM	■	-	-
Guide units DFM-B	■ ¹⁾	-	-
Linear drive units SLE	∅ 32 ... 50 mm	■	-
Twin-piston cylinders DPZ	■	-	-
Handling units			
Linear modules HMP	■	-	-
Linear modules HMPL	■	-	-
Handling modules HSP, HSW	■	-	-
Feed separators HPV	■	-	-
Three-point grippers HGD	∅ 16 mm	-	■
	∅ 32, 50 mm	■ ²⁾	-
Three-point grippers HGDT	-	■	-
Parallel grippers HGP	∅ 6 mm	-	■
	∅ 10 ... 35 mm	■ ²⁾	-
Parallel grippers HGPC	-	■	-
Parallel grippers HGPP	∅ 12 ... 32 mm	-	■
Parallel grippers HGPT	∅ 16 ... 63 mm	-	■
Angle grippers HGW	∅ 10 mm	-	■
	∅ 16 ... 40 mm	■	-
Radial grippers HGR	∅ 10 mm	-	■
	∅ 16 ... 40 mm	■	-
Swivel gripper units HGDS	-	■	-
Cushioning components			
Stop elements YSRWJ	■	-	-
Electrical positioning systems			
Toothed belt axes DGE-ZR	■	-	-
Spindle axes DGE-SP	■	-	-
System components			
Heavy-duty guides HD	■	-	-
Valve actuators			
Linear actuators, Copac DLP-A	■	-	-
Technical data → Page/Internet	t-slot	7	smh

1) Not SM...0-8E.

2) SME-8M only for HGD-50, HGP-20 ... 35.

Proximity sensors SMT/SME-10, for C-slot

Overview of peripherals



Mounting attachments and accessories	→ Page/ Internet
Proximity sensors	
1 SMT/SME-10F-...-OE, with cable	18
2 SMT/SME-10M-...-OE, with cable	7
3 SMT/SME-10, with cable	27
4 SMT-10G-...-OE, with cable	34
5 SMT/SME-10F-...-M..., with cable and plug	18
6 SMT/SME-10M-...-M..., with cable and plug	7
7 SMT/SME-10, with cable and plug	27
8 SMT-10G-...-M..., with cable and plug	34
Connecting cables	
9 Connecting cable NEBU-M...G...	38
10 Connecting cable NEBU-M...W...	38
Mounting kits	
11 Mounting kit SMBN-10	37
12 Mounting kit SMBR-10-...	37
13 Mounting kit WSM-...-SME-10	38

Mounting attachments and accessories	→ Page/ Internet
Accessories	
14 Sensor tester SM-TEST-1	38
- Positioning component SMM-10	38
- Clip SMBK-10	38
- Inscription label ASLR	38
- Safety clip NEAU	38
Drives	
15 Drives with C-slot	-
16 Drives with T-slot	-
17 Round cylinder	-
18 Swivel module DSM	-

Proximity sensors SMT/SME-10M, for C-slot

Type codes

SMT/SME-10M

SMT – 10M – PS – 24V – E – 2,5 – L – – OE

Function

SMT	Proximity sensor, magneto-resistive
SME	Proximity sensor, magnetic reed

Design

10M	For C-slot, insertable in slot from above
-----	---

Switching output, switching element function

PS	PNP, N/O contact, 3-wire
NS	NPN, N/O contact, 3-wire
ZS	N/O contact, 2-wire
DS	N/O contact, 3-wire

Rated operating voltage

24V	24 V DC
-----	---------

Cable attribute

E	Energy chain + robot applications
---	-----------------------------------

Cable length [m]

Cable outlet

L	In-line
Q	Lateral

Cable designation

–	With inscription label holder
N	Without inscription label holder

Connection technology

OE	Open end
M8	Cable with plug M8x1, snap-on flange
M8D	Cable with plug M8x1, rotatable thread
M12	Cable with plug M12x1, rotatable thread

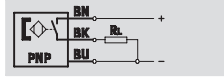
Proximity sensors SMT-10M, for C-slot

Technical data – Magneto-resistive

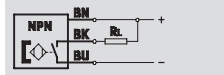


Function

E.g. PNP, N/O contact, with cable



E.g. NPN, N/O contact, with cable



- Magneto-resistive measuring principle
- Insertable in slot from above, does not protrude over the cylinder profile
- Cable clip and holder for inscription labels included in the scope of delivery



General technical data	
Design	For C-slot
Conforms to	EN 60947-5-2
Certification	C-Tick
CE mark (see declaration of conformity)	To EU EMC Directive ¹⁾
Note on materials	Cable resistant to oil
	Cable free of halogen
	Free of copper and PTFE
	RoHS-compliant

- 1) For information about the applicability of the component see the manufacturer's EC declaration of conformity at: www.festo.com → Support → User documentation.
If the component is subject to restrictions on usage in residential, office or commercial environments or small businesses, further measures to reduce the emitted interference may be necessary.

Input signal/measuring element	
Measured variable	Position
Measuring principle	Magneto-resistive
Ambient temperature	[°C] -20 ... +70

Switching output			
Type SMT-10M	PS	NS	ZS
Switching output	PNP	NPN	Non-contacting, 2-wire
Switching element function	N/O contact		
Repetition accuracy of switching output in ± mm	0.1		
Switch-on time [ms]	0 ... 1		
Switch-off time [ms]	0 ... 1		
Max. switching frequency [Hz]	150		
Max. output current [mA]	100		
Max. output current in mounting kits	50		
Max. switching capacity DC [W]	3	3	2.4
Max. switching capacity DC in mounting kits [W]	1.5		1.2
Voltage drop [V]	0 ... 1.7		0 ... 5.7

Output, additional data	
Protection against short circuit	Pulsed
Protection against overloading	Yes

Electronic components	
Rated operating voltage [V DC]	24
Operating voltage range [V DC]	10 ... 30
Reverse polarity protection	For all electrical connections

Proximity sensors SMT-10M, for C-slot


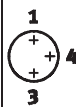
Technical data – Magneto-resistive


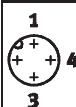
Electromechanical components								
Type SMT-10M	PS/NS				ZS			
Electrical connection	OE	M8D	M8	M12	OE	M8D	M8	M12
Electrical connection	Cable, 3-wire	Cable with plug, 3-pin			Cable, 2-wire	Cable with plug, 2-pin		
		M8x1	M8x1	M12x1		M8x1	M8x1	M12x1
		Rotatable thread	Snap-on flange	Rotatable thread		Rotatable thread	Snap-on flange	Rotatable thread
Connection direction	In-line Lateral							
Cable test conditions	Energy chain: 5 million cycles, bending radius 28 mm							
	Torsional strength: >300,000 cycles, ±270°/0.1 m							
	Resistance to bending: to Festo standard; test conditions on request							
Cable length [m]	0.2 ... 30							
Cable attribute	Energy chain + robot applications							
Cable sheath materials	TPE-U(PU)							

Mechanical components	
Type of mounting	Screw-clamped in slot, insertable from above
Max. tightening torque [Nm]	0.4
Mounting position	Any
Housing	PA reinforced
	High-alloy stainless steel

Display/operation	
Switching status display	Yellow LED

Immissions/emissions	
Ambient temperature with flexible cable installation [°C]	-20 ... +70
Protection class	IP65
	IP68

Pin allocation to EN 60947-5-2			
M8x1, 2-pin		M8x1, 3-pin	
N/O contact		N/O contact	
	Pin	Wire colour	Allocation
	1	Brown	+
	4	Black	Output
	1	Brown	+
	3	Blue	-
	4	Black	Output

Pin allocation to EN 60947-5-2			
M12x1, 2-pin		M12x1, 3-pin	
N/O contact		N/O contact	
	Pin	Wire colour	Allocation
	1	Brown	+
	4	Black	Output
	1	Brown	+
	3	Blue	-
	4	Black	Output

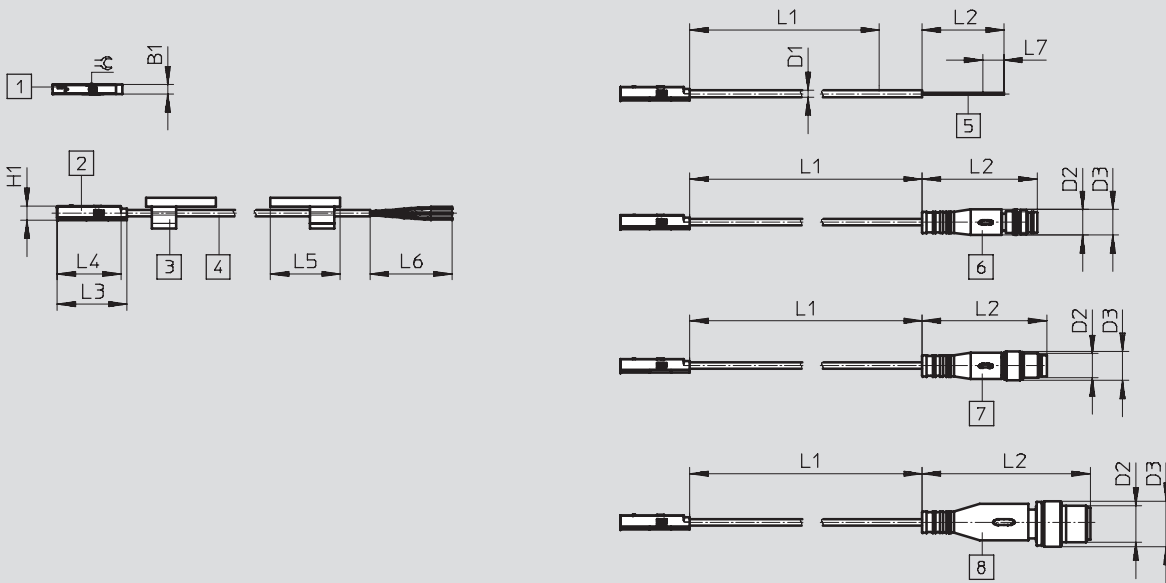
Proximity sensors SMT-10M, for C-slot

Technical data – Magneto-resistive

Dimensions

Download CAD Data → www.festo.com/us/cad

SMT-10M-...-L, in-line connection



- 1 Yellow LED
- 2 SMT-10M
- 3 Inscription label holder
- 4 Connecting cable
- 5 Cable with open end
- 6 Plug M8x1, snap-on flange
- 7 Plug M8x1, rotatable thread
- 8 Plug M12x1
- L1 Cable length

Type	B1	D1	D2	D3	H1	L2	L3	L4	L5	L6	L7	⊕
SMT-10M-...-OE	2.9	2.15	-	-	4.6	50	22.9	20.9	23	27	7	1.5
SMT-10M-...-M8D			M8x1	8.5		32.7					-	
SMT-10M-...-M8			M8x1	9.6		41.1					-	
SMT-10M-...-M12			M12x1	15		55.5					-	

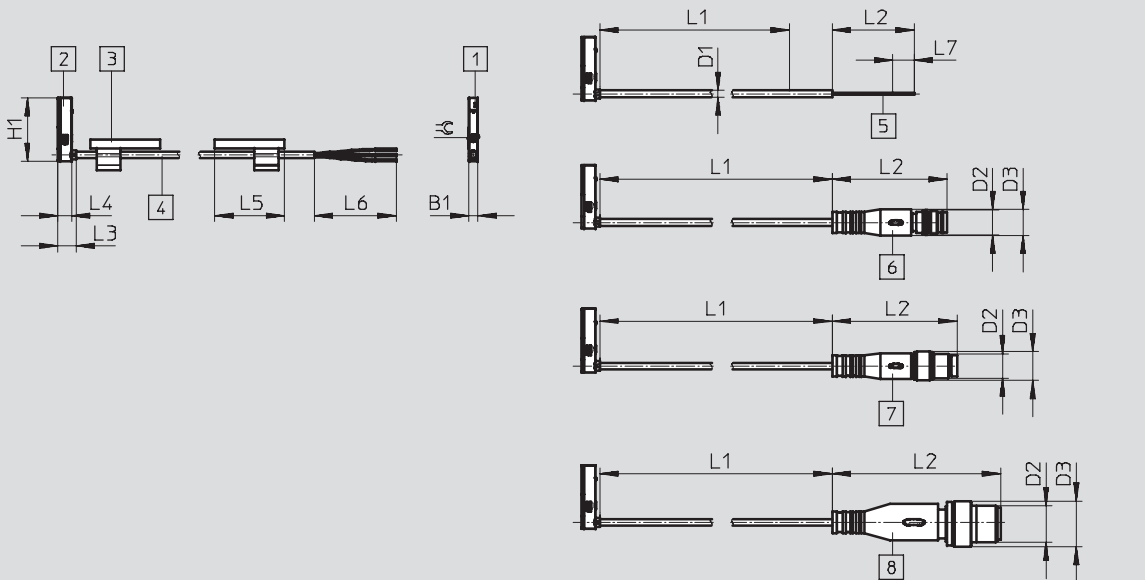
Proximity sensors SMT-10M, for C-slot

Technical data – Magneto-resistive

Dimensions

Download CAD Data → www.festo.com/us/cad

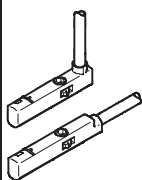
SMT-10M-...-Q, lateral connection



- 1 Yellow LED
- 2 SMT-10M
- 3 Inscription label holder
- 4 Connecting cable
- 5 Cable with open end
- 6 Plug M8x1, snap-on flange
- 7 Plug M8x1, rotatable thread
- 8 Plug M12x1
- L1 Cable length

Type	B1	D1	D2	D3	H1	L2	L3	L4	L5	L6	L7	⌀
SMT-10M-...-OE	2.9	2.15	-	-	20.9	50	6	4.6	23	27	7	1.5
SMT-10M-...-M8D			M8x1	8.5		32.7					-	
SMT-10M-...-M8			M8x1	9.6		41.1					-	
SMT-10M-...-M12			M12x1	15		55.5					-	

Ordering data

	Switching output	Electrical connection		Cable length [m]	Weight [g]	Part No.	Type
		Cable	Cable with plug, rotatable thread				
	N/O contact	PNP	3-wire	-	2.5	16.8	551373 SMT-10M-PS-24V-E-2,5-L-OE
				M8x1, 3-pin	0.3	6.7	551374 SMT-10M-PS-24V-E-2,5-Q-OE
	NPN	3-wire	-	2.5	16.8	551375 SMT-10M-PS-24V-E-0,3-L-M8D	
			M8x1, 3-pin	0.3	6.7	551376 SMT-10M-PS-24V-E-0,3-Q-M8D	
		2-wire	-	2.5	14.6	551377 SMT-10M-NS-24V-E-2,5-L-OE	
			M8x1, 3-pin	0.3	6.7	551378 SMT-10M-NS-24V-E-2,5-Q-OE	
	Non-contacting, 2-wire	2-wire	-	2.5	14.6	551379 SMT-10M-NS-24V-E-0,3-L-M8D	
			M8x1, 3-pin	0.3	6.7	551380 SMT-10M-NS-24V-E-0,3-Q-M8D	
		Non-contacting, 2-wire	2-wire	-	2.5	14.6	551382 SMT-10M-ZS-24V-E-2,5-L-OE
				M8x1, 3-pin	0.3	6.7	551383 SMT-10M-ZS-24V-E-2,5-Q-OE

Proximity sensors SMT-10M, for C-slot

Modular product system – Magneto-resistive

M Mandatory data						O Options	M	
Module No.	Function	Switching output	Rated operating voltage	Cable attribute	Cable length in m	Cable outlet	Cable designation	Connection technology
551372	SMT-10M	PS NS ZS	24V	E	0.2 ... 30	L Q	N	OE M8D M8 M12
Ordering example								
551372	SMT-10M	NS	24V	E	3	L	N	M8D

Ordering table							
Size	10	Conditions		Code		Enter code	
M	Module No.	551372					
	Function	Proximity sensor for C-slot, non-contacting		SMT-10M		SMT-10M	
				-		-	
	Switching output	3-wire PNP N/O contact		PS			
		3-wire NPN N/O contact		NS			
		2-wire N/O contact		ZS			
				-		-	
	Rated operating voltage [V DC]	24		24V		24V	
				-		-	
	Cable attribute	Energy chain + robot applications		E		E	
				-		-	
	Cable length [m]	0.2 ... 30		...			
		(0.2 ... 5.0 m in 0.1 m increments, 5.0 ... 30 m in 0.5 m increments)					
				-		-	
	Cable outlet	In-line		L			
		Lateral		Q			
				-		-	
O	Cable designation	With inscription label holder		-			
		Without inscription label holder		N			
M				-		-	
	Connection technology	Open end		OE			
		M8, rotatable thread		M8D			
		M8, snap-on flange		M8			
		M12, rotatable thread		M12			

Transfer order code

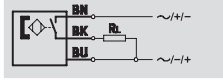
551372 SMT-10M - [] - 24V - E - [] - [] - [] - []

Proximity sensors SME-10M, for C-slot

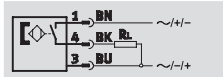
Technical data – Magnetic reed

Function

E.g. N/O contact, 3-wire, with cable



E.g. N/O contact, 3-wire, with plug



- Magnetic reed measuring principle
- Insertable in slot from above, does not protrude over the cylinder profile
- Cable clip and holder for inscription labels included in the scope of delivery



General technical data	
Design	For C-slot
Conforms to	EN 60947-5-2
Certification	C-Tick
CE mark (see declaration of conformity)	To EU EMC Directive ¹⁾
Note on materials	Cable resistant to oil
	Cable free of halogen
	Free of copper and PTFE
	RoHS-compliant

1) For information about the applicability of the component see the manufacturer's EC declaration of conformity at: www.festo.com → Support → User documentation.
If the component is subject to restrictions on usage in residential, office or commercial environments or small businesses, further measures to reduce the emitted interference may be necessary.

Input signal/measuring element	
Measured variable	Position
Measuring principle	Magnetic reed
Ambient temperature	[°C] -40 ... +70

Switching output		
Type SME-10M	DS	ZS
Switching output	Contacting, bipolar	
Switching element function	N/O contact	
Repetition accuracy of switching output in ± mm	0.1	
Switch-on time	[ms] 0 ... 1.2	
Switch-off time	[ms] 0 ... 1	
Max. switching frequency	[Hz] 50	
Max. output current	[mA] 300	100
Max. output current in mounting kits	[mA] 50	50
Max. switching capacity AC	[VA] 9	3
Max. switching capacity AC in mounting kits	[VA] 1.5	1.5
Max. switching capacity DC	[W] 9	3
Max. switching capacity DC in mounting kits	[W] 1.5	1.5
Voltage drop	[V] 0 ... 0.5	0 ... 4.5

Output, additional data	
Protection against short circuit	No
Protection against overloading	No

Proximity sensors SME-10M, for C-slot

Technical data – Magnetic reed



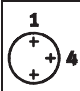
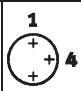
Electronic components		
Rated operating voltage	[V DC]	24
Operating voltage range AC	[V]	5 ... 30
Operating voltage range DC	[V]	5 ... 30
Reverse polarity protection		No

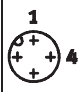
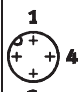
Electromechanical components								
Type SME-10M	DS				ZS			
Electrical connection	OE	M8D	M8	M12	OE	M8D	M8	M12
Electrical connection	Cable, 3-wire	Cable with plug, 3-pin			Cable, 2-wire	Cable with plug, 2-pin		
		M8x1	M8x1	M12x1		M8x1	M8x1	M12x1
		Rotatable thread	Snap-on flange	Rotatable thread		Rotatable thread	Snap-on flange	Rotatable thread
Connection direction	In-line Lateral							
Cable test conditions	Energy chain: 5 million cycles, bending radius 28 mm							
	Torsional strength: >300,000 cycles, ±270°/0.1 m							
	Resistance to bending: to Festo standard; test conditions on request							
Cable length	[m]	0.2 ... 10						
Cable attribute	Energy chain + robot applications							
Cable sheath materials	TPE-U(PU)							

Mechanical components	
Type of mounting	Screw-clamped in slot, insertable from above
Max. tightening torque	0.4
Mounting position	Any
Housing	PA reinforced
	High-alloy stainless steel

Display/operation	
Switching status display	Yellow LED

Immissions/emissions	
Ambient temperature with flexible cable installation	[°C] -20 ... +70
Protection class	IP65
	IP68

Pin allocation to EN 60947-5-2			
M8x1, 2-pin		M8x1, 3-pin	
N/O contact		N/O contact	
	Pin	Wire colour	Allocation
	1	Brown	+
	4	Black	Output
	1	Brown	+
	3	Blue	-
	4	Black	Output

Pin allocation to EN 60947-5-2			
M12x1, 2-pin		M12x1, 3-pin	
N/O contact		N/O contact	
	Pin	Wire colour	Allocation
	1	Brown	+
	4	Black	Output
	1	Brown	+
	3	Blue	-
	4	Black	Output

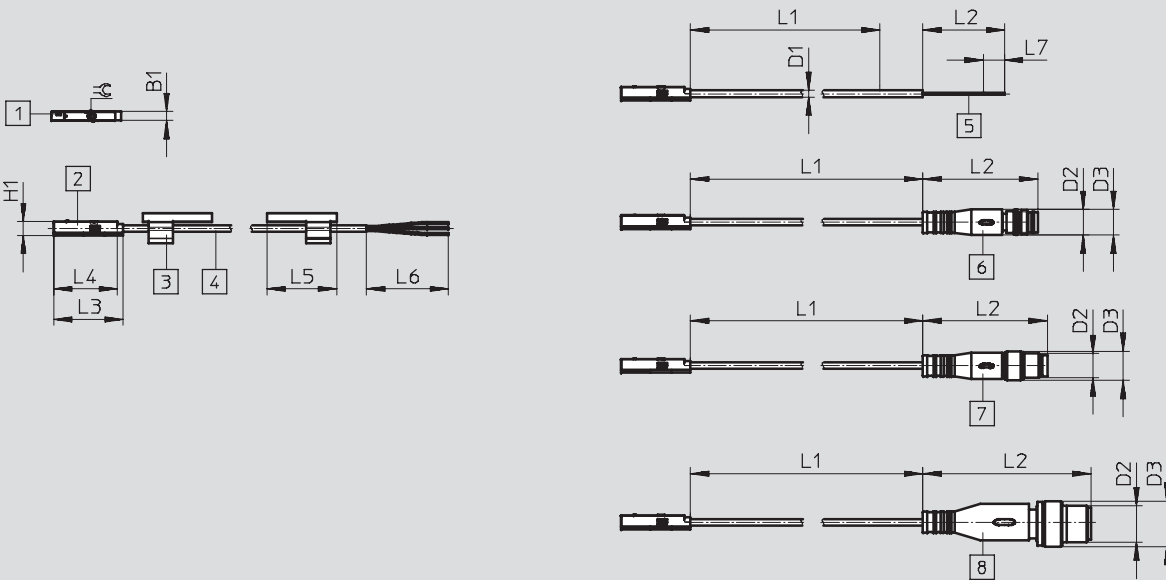
Proximity sensors SME-10M, for C-slot

Technical data – Magnetic reed

Dimensions

Download CAD Data → www.festo.com/us/cad

SME-10M-...-L, in-line connection



- 1 Yellow LED
- 2 SME-10M
- 3 Inscription label holder
- 4 Connecting cable
- 5 Cable with open end
- 6 Plug M8x1, snap-on flange
- 7 Plug M8x1, rotatable thread
- 8 Plug M12x1
- L1 Cable length

Type	B1	D1	D2	D3	H1	L2	L3	L4	L5	L6	L7	⊕
SME-10M-...-OE	3	2.15	-	-	4.6	50	26.6	24.6	23	27	7	1.5
SME-10M-...-M8D			M8x1	8.5		32.7					-	
SME-10M-...-M8			M8x1	9.6		41.1					-	
SME-10M-...-M12			M12x1	15		55.5					-	

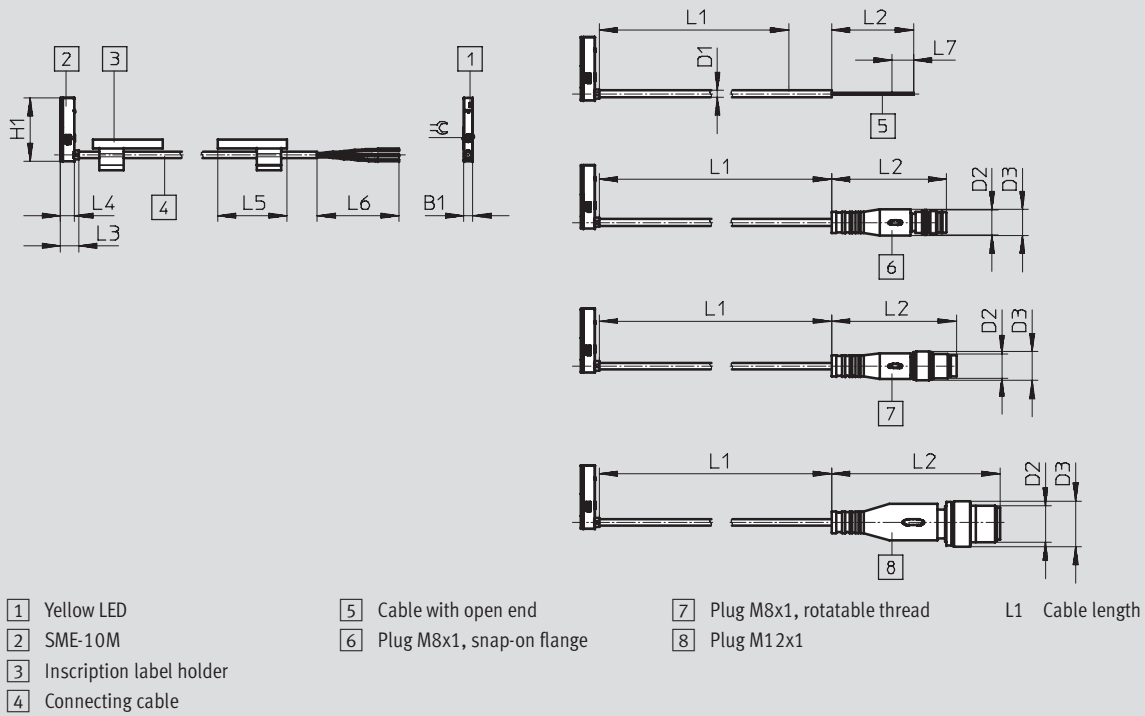
Proximity sensors SME-10M, for C-slot

Technical data – Magnetic reed

Dimensions

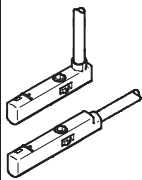
Download CAD Data → www.festo.com/us/cad

SME-10M-...-Q, lateral connection



Type	B1	D1	D2	D3	H1	L2	L3	L4	L5	L6	L7	⌀
SME-10M-...-OE	3	2.15	-	-	24.6	50	6	4.6	23	27	7	1.5
SME-10M-...-M8D			M8x1	8.5		32.7					-	
SME-10M-...-M8			M8x1	9.6		41.1					-	
SME-10M-...-M12			M12x1	15		55.5					-	

Ordering data

	Switching output	Electrical connection		Cable length [m]	Weight [g]	Part No.	Type	
		Cable	Cable with plug, rotatable thread					
	N/O contact							
	Contacting, bipolar	3-wire	-	-	2.5	16.8	551365	SME-10M-DS-24V-E-2,5-L-OE
			-	-	0.3	6.7	551366	SME-10M-DS-24V-E-2,5-Q-OE
		2-wire	-	M8x1, 3-pin	0.3	6.7	551367	SME-10M-DS-24V-E-0,3-L-M8D
			-	-	0.3	6.7	551368	SME-10M-DS-24V-E-0,3-Q-M8D
			-	-	2.5	14.6	551369	SME-10M-ZS-24V-E-2,5-L-OE
						551370	SME-10M-ZS-24V-E-2,5-Q-OE	

Proximity sensors SME-10M, for C-slot

Modular products – Magnetic reed

[M] Mandatory data							[O] Options	[M]
Module No.	Function	Switching output	Rated operating voltage	Cable attribute	Cable length in m	Cable outlet	Cable designation	Connection technology
551364	SME-10M	DS ZS	24V	E	0.2 ... 10	L Q	N	OE M8D M8 M12
Ordering example								
551364	SME-10M	- DS	- 24V	- E	- 3	- L	- N	- M8D

Ordering table							
Size	10	Conditions		Code		Enter code	
[M] Module No.	551364						
Function	Proximity sensor for C-slot, contacting			SME-10M		SME-10M	
Switching output	3-wire N/O contact			DS			
Switching output	2-wire N/O contact			ZS			
Rated operating voltage [V DC]	24			24V		24V	
Cable attribute	Energy chain + robot applications			E		E	
Cable length [m]	0.2 ... 10 (0.2 ... 5.0 m in 0.1 m increments, 5.0 ... 10 m in 0.5 m increments)			...			
Cable outlet	In-line			L			
	Lateral			Q			
Cable designation	With inscription label holder			-			
	Without inscription label holder			N			
[M] Connection technology	Open end			OE			
	M8, rotatable thread			M8D			
	M8, snap-on flange			M8			
	M12, rotatable thread			M12			

Transfer order code

551364 SME-10M - 24V - E - - - - - - - -

Proximity sensors SMT/SME-10F, for C-slot

Type codes

SMT/SME-10F

SMT – 10F – PS – 24V – K2,5L – OE

Function

SMT	Proximity sensor, magneto-resistive
SME	Proximity sensor, magnetic reed

Design

10F	For C-slot, insertable in slot from above
-----	---

Switching output, switching element function

PS	PNP, N/O contact, 3-wire
NS	NPN, N/O contact, 3-wire
DS	N/O contact, 3-wire
ZS	N/O contact, 2-wire (SMT)
	N/O contact, 2-wire (SME)

Rated operating voltage

24V	24 V DC
-----	---------

Cable length, connection direction

K0,3L	0.3 m, in-line
K0,3Q	0.3 m, lateral
K2,5L	2.5 m, in-line
K2,5Q	2.5 m, lateral

Electrical connection

OE	Cable
M5D	Cable with plug M5x0.5
M8D	Cable with plug M8x1

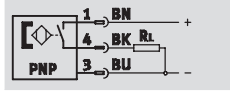
Proximity sensors SMT-10F, for C-slot

Technical data – Magneto-resistive

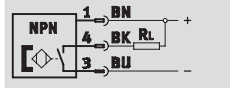


Function

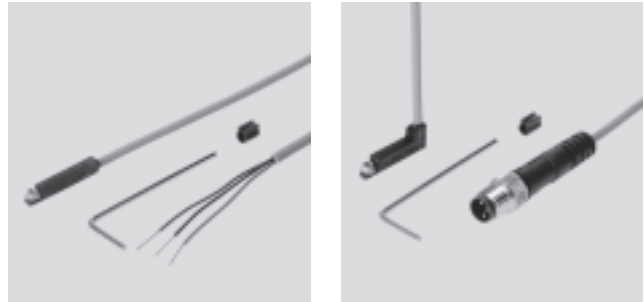
e.g. PNP, N/O contact, with plug



e.g. NPN, N/O contact, with plug



- Magneto-resistive measuring principle
- Insertable in the slot from above
- Cable clip included in the scope of delivery



General technical data			
Type	SMT-10F...-OE	SMT-10F...-M5D	SMT-10F...-M8D
Design	For C-slot		
Based on standard	DIN EN 60947-5-2		
Certification	C-UL-US listed (OL) C-Tick		
CE mark (see declaration of conformity)	To EU EMC Directive		
	–	To EU Low Voltage Directive	–
Note on materials	Free of copper and PTFE		

Input signal/measuring element	
Measuring principle	Magneto-resistive
Ambient temperature [°C]	–20 ... +60

Switching output						
Type	SMT-10F...-OE			SMT-10F...-M5D	SMT-10F...-M8D	
Switching output	PS	NS	ZS	PS	PS	NS
Switching output	PNP	NPN	Non-contacting, 2-wire	PNP/NPN	PNP	NPN
Switching element function	N/O contact					
Reproducibility of switching value [mm]	±0.1					
Switch-on time [ms]	≤0.33	0.5	<0.5	0.5	≤0.33	0.5
Switch-off time [ms]	0.3	0.5	>0.5	0.5	0.3	0.5
Max. output current [mA]	–	200	50	200	–	200
Max. switching capacity DC [W]	6.0		1.5	6.0	6.0	
Voltage drop [V]	2		<8	2	2	
Residual current [mA]	0.06	0.01	<1	0.01	0.06	0.01

Output, additional data	
Protection against short circuit	Yes
Protection against overloading	Yes

Electronic components						
Type	SMT-10F...-OE			SMT-10F...-M5D	SMT-10F...-M8D	
Switching output	PS	NS	ZS	PS	PS	NS
Operating voltage range [V DC]	5 ... 30		10 ... 30	5 ... 30	5 ... 30	
Reverse polarity protection	For all electrical connections					

Proximity sensors SMT-10F, for C-slot

Technical data – Magneto-resistive



Electromechanical components						
Type	SMT-10F...-OE			SMT-10F...-M5D	SMT-10F...-M8D	
Switching output	PS	NS	ZS	PS	PS	NS
Electrical connection	Cable, 3-wire		Cable, 2-wire	Cable with plug M5x0.5, 3-pin	Cable with plug M8x1, 3-pin	
Connection direction	In-line, lateral		In-line, lateral	In-line	In-line, lateral	
Cable length [m]	2.5			0.3	0.3	
Information on cable sheath materials	PUR					

Mechanical components						
Type	SMT-10F...-OE			SMT-10F...-M5D	SMT-10F...-M8D	
Switching output	PS	NS	ZS	PS	PS	NS
Type of mounting	Clamped in C-slot, insertable in the slot from above					
Tightening torque [Nm]	0.2		0.4	0.4	0.2	
Information on housing materials	PA		PA, high-alloy stainless steel	PA	PA	
Information on insulating sheath materials	–			PVC	–	
Information on pin contact materials	–			Gold-plated brass	–	

Display/operation	
Switching status display	Yellow LED

Immissions/emissions	
Ambient temperature with flexible cable installation [°C]	–5 ... +60
Protection class	IP65 IP67

Pin allocation			
PS			
Plug, 3-pin			
M5x0.5	Pin	Wire colour	Allocation
	1	Brown	+
	3	Blue	–
	4	Black	Output

Pin allocation to EN 60947-5-2			
PS/NS			
Plug, 3-pin			
M8x1	Pin	Wire colour	Allocation
	1	Brown	+
	3	Blue	–
	4	Black	Output

Proximity sensors SMT-10F, for C-slot

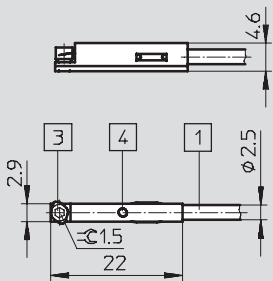
Technical data – Magneto-resistive



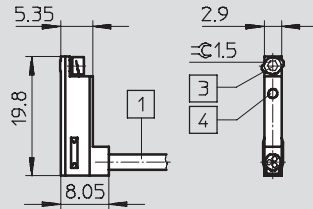
Dimensions

Download CAD Data → www.festo.com/us/cad

Cable, in-line connection

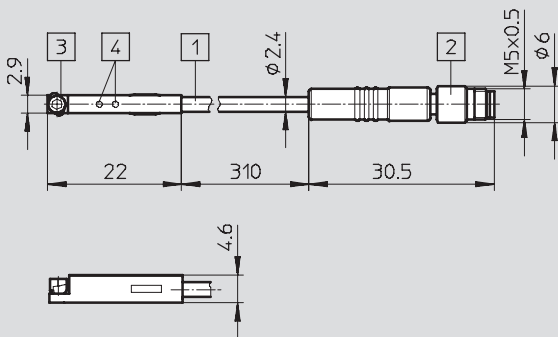


Cable, lateral connection



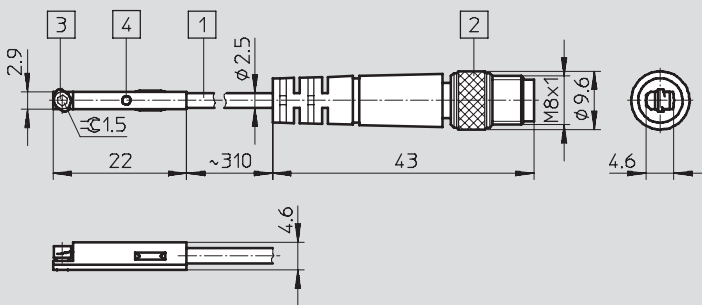
- 1 Connecting cable
- 3 Clamping component, tightening torque 0.2 Nm
- 4 Yellow LED

Plug M5x0.5, in-line connection



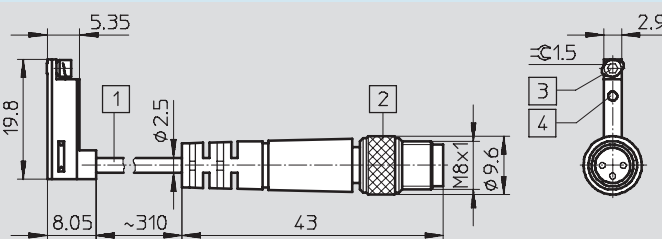
- 1 Connecting cable
- 2 Plug to fit connecting cable NEBU-M5G4
- 3 Clamping component, tightening torque 0.2 Nm
- 4 Yellow LED

Plug M8x1, in-line connection



- 1 Connecting cable
- 2 Plug to fit connecting cable NEBU-M8
- 3 Clamping component, tightening torque 0.2 Nm
- 4 Yellow LED

Plug M8x1, lateral connection

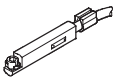
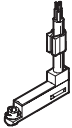


- 1 Connecting cable
- 2 Plug to fit connecting cable NEBU-M8
- 3 Clamping component, tightening torque 0.2 Nm
- 4 Yellow LED

Proximity sensors SMT-10F, for C-slot

Technical Data – Magneto-resistive



Ordering data							
	Switching output	Electrical connection			Cable length [m]	Part No.	Type
		Cable	Cable with plug				
			M5x0.5	M8x1			
In-line connection							
	N/O contact						
	PNP	3-wire	–	–	2.5	525915	SMT-10F-PS-24V-K2,5L-OE
		–	3-pin	–	0.3	539495	SMT-10F-PS-24V-K0,3L-M5D
		–	–	3-pin		525916	SMT-10F-PS-24V-K0,3L-M8D
	NPN	3-wire	–	–	2.5	526678	SMT-10F-NS-24V-K2,5L-OE
		–	–	3-pin	0.3	526679	SMT-10F-NS-24V-K0,3L-M8D
Non-contacting, 2-wire	2-wire	–	–	2.5	526677	SMT-10F-ZS-24V-K2,5L-OE	
Lateral connection							
	N/O contact						
	PNP	3-wire	–	–	2.5	526674	SMT-10F-PS-24V-K2,5Q-OE
		–	–	3-pin	0.3	526675	SMT-10F-PS-24V-K0,3Q-M8D
	NPN	3-wire	–	–	2.5	526680	SMT-10F-NS-24V-K2,5Q-OE
		–	–	3-pin	0.3	526681	SMT-10F-NS-24V-K0,3Q-M8D
	Non-contacting, 2-wire	2-wire	–	–	2.5	526676	SMT-10F-ZS-24V-K2,5Q-OE

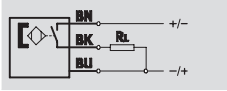
Proximity sensors SME-10F, for C-slot

Technical data – Magnetic reed

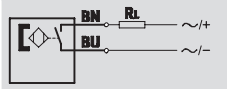


Function

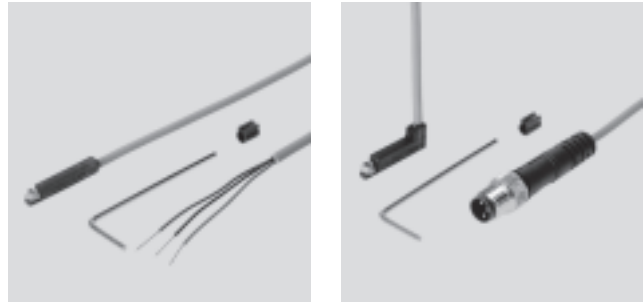
e.g. N/O contact, 3-wire, with cable



e.g. N/O contact, 2-wire, with cable



- Magnetic reed measuring principle
- Insertable in the slot from above
- Cable clip included in the scope of delivery



General technical data			
Type	SME-10F...-OE	SME-10F...-M5D	SME-10F...-M8D
Design	For C-slot		
Based on standard	DIN EN 60947-5-2		
Certification	C-UL-US listed (OL)		
CE mark (see declaration of conformity)	To EU EMC Directive		
	–	To EU Low Voltage Directive	–
Note on materials	Free of copper and PTFE		

Input signal/measuring element	
Measuring principle	Magnetic reed
Ambient temperature [°C]	–20 ... +60

Switching output			
Type	SME-10F...-OE	SME-10F...-M5D	SME-10F...-M8D
Switching output	DS	ZS	DS
Switching output	Contacting, bipolar ¹⁾		
Switching element function	N/O contact		
Reproducibility of switching value [mm]	±0.1		
Switch-on time [ms]	≤0.5	<0.6	0.5
Switch-off time [ms]	≤0.03	>0.05	0.03
Max. output current [mA]	500	100	500
Max. switching frequency [Hz]	800	800	–
Max. switching capacity DC [W]	10	3	10
Max. switching capacity AC [VA]	10	3	10
Voltage drop [V]	0	<4.5	–

* With N/O contact, 2-wire (ZS) without LED function

Output, additional data			
Type	SME-10F...-OE	SME-10F...-M5D	SME-10F...-M8D
Protection against short circuit	No		
Protection against overloading	No	–	No

Electronic components			
Type	SME-10F...-OE	SME-10F...-M5D	SME-10F...-M8D
Switching output	DS	ZS	DS
Operating voltage range DC [V]	10 ... 30	5 ... 30	10 ... 30
Operating voltage range AC [V]	10 ... 30	5 ... 30	10 ... 30
Reverse polarity protection	No		

Proximity sensors SME-10F, for C-slot


Technical data – Magnetic reed


Electromechanical components				
Type	SME-10F...-OE		SME-10F...-M5D	SME-10F...-M8D
Switching output	DS	ZS	DS	DS
Electrical connection	Cable, 3-wire	Cable, 2-wire	Cable with plug M5x0.5, 3-pin	Cable with plug M8x1, 3-pin
Connection direction	In-line, lateral		In-line	In-line, lateral
Cable length [m]	2.5		0.3	0.3
Information on cable sheath materials	PUR			

Mechanical components				
Type	SME-10F...-OE		SME-10FM...-M5D	SME-10F...-M8D
Type of mounting	Clamped in C-slot, insertable in the slot from above			
Tightening torque [Nm]	0.2		0.4	0.2
Information on housing materials	PPS, high-alloy stainless steel		PA	PPS, TPE-U(PU), high-alloy stainless steel, nickel-plated brass
Information on insulating sheath materials	–		PVC	–
Information on pin contact materials	–		Gold-plated brass	–

Display/operation	
Switching status display	Yellow LED

Immissions/emissions				
Type	SME-10F...-OE		SME-10FM...-M5D	SME-10F...-M8D
Ambient temperature with flexible cable installation [°C]	–5 ... +60			
Protection class	IP65 IP67			
Insulation voltage [V]	50		–	50
Surge capacity [kV]	0.8		–	0.8
Degree of contamination	3		–	3

Pin allocation			
DS			
Plug, 3-pin			
M5x0.5	Pin	Wire colour	Allocation
	1	Brown	+
	3	Blue	–
	4	Black	Output

Pin allocation to EN 60947-5-2			
DS			
Plug, 3-pin			
M8x1	Pin	Wire colour	Allocation
	1	Brown	+
	3	Blue	–
	4	Black	Output

Proximity sensors SME-10F, for C-slot

Technical data – Magnetic reed



Dimensions Download CAD Data → www.festo.com/us/cad

Cable, in-line connection Cable, lateral connection

- 1 Connecting cable
- 3 Clamping component, tightening torque 0.2 Nm
- 4 Yellow LED (SME-10F-ZS-...)
- 5 Yellow LED (SME-10F-DS-..., positive or negative switching)

Plug M5x0.5, in-line connection

- 1 Connecting cable
- 2 Plug to fit connecting cable NEBU-M5
- 3 Clamping component, tightening torque 0.2 Nm
- 4 Yellow LED

Plug M8x1, in-line connection

- 1 Connecting cable
- 2 Plug to fit connecting cable NEBU-M8
- 3 Clamping component, tightening torque 0.2 Nm
- 4 Yellow LED (positive or negative switching)

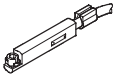
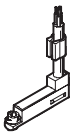
Plug M8x1, lateral connection

- 1 Connecting cable
- 2 Plug to fit connecting cable NEBU-M8
- 3 Clamping component, tightening torque 0.2 Nm
- 4 Yellow LED (positive or negative switching)

Proximity sensors SME-10F, for C-slot

Technical data – Magnetic reed



Ordering data							
	Switching output	Electrical connection			Cable length [m]	Part No.	Type
		Cable	Cable with plug				
			M5x0.5	M8x1			
In-line connection							
	N/O contact						
	Contacting, bipolar	3-wire	–	–	2.5	525913	SME-10F-DS-24V-K2,5L-OE
		–	3-pin	–	0.3	539494	SME-10F-DS-24V-K0,3L-M5D
		–	–	3-pin		525914	SME-10F-DS-24V-K0,3L-M8D
	2-wire	–	–	2.5	526672	SME-10F-ZS-24V-K2,5L-OE	
Lateral connection							
	N/O contact						
	Contacting, bipolar	3-wire	–	–	2.5	526670	SME-10F-DS-24V-K2,5Q-OE
		–	–	3-pin	0.3	526671	SME-10F-DS-24V-K0,3Q-M8D
		2-wire	–	–	2.5	526673	SME-10F-ZS-24V-K2,5Q-OE

Proximity sensors SMT/SME-10, for C-slot

Type codes

FESTO

SMT/SME-10

SMT – 10 – PS – KL – LED – 24

Function

SMT	Proximity sensor, magneto-resistive
SME	Proximity sensor, magnetic reed

Design

10	For C-slot, insertable in slot lengthwise
----	---

Switching output, switching element function

PS	PNP, N/O contact, 3-wire
NS	NPN, N/O contact, 3-wire

Electrical connection, cable length, connection direction

KL	Cable, 2.5 m, in-line
KQ	Cable, 2.5 m, lateral
SL	Plug M8x1 with cable, 0.3 m, in-line
SQ	Plug M8x1 with cable, 0.3 m, lateral

Switching status display

LED	Yellow LED
-----	------------

Rated operating voltage

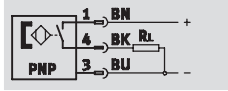
24	24 V DC
----	---------

Proximity sensors SMT-10, for C-slot

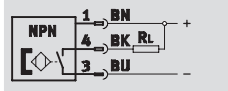
Technical data – Magneto-resistive

Function

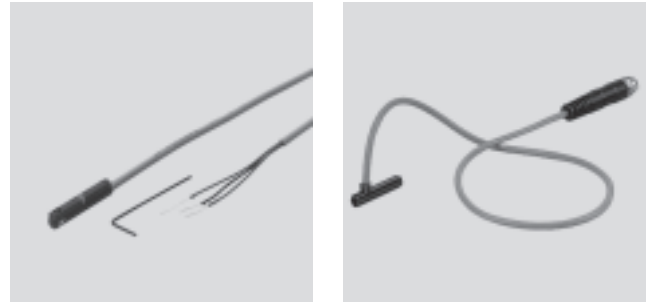
e.g. PNP, N/O contact, with plug



e.g. NPN, N/O contact, with plug



- Magneto-resistive measuring principle
- Insertable in the slot lengthwise



General technical data	
Design	For C-slot
Based on standard	DIN EN 60947-5-2
Certification	C-Tick
CE mark (see declaration of conformity)	To EU EMC Directive
Note on materials	Free of copper and PTFE

Input signal/measuring element	
Measuring principle	Magneto-resistive
Ambient temperature	[°C] -20 ... +60

Switching output				
Type	SMT-10-...-K...-...		SMT-10-...-S...-...	
Switching output	PS	NS	PS	NS
Switching output	PNP	NPN	PNP	NPN
Switching element function	N/O contact			
Reproducibility of switching value	[mm]	±0.1		
Switch-on time	[ms]	≤0.2		
Switch-off time	[ms]	≤0.2		
Max. output current	[mA]	200		
Max. switching capacity DC	[W]	6.0		
Voltage drop	[V]	1.7		
Residual current	[mA]	≤0.01		

Output, additional data	
Protection against short circuit	Pulsed
Protection against overloading	Yes

Electronic components	
Operating voltage range	[V DC] 10 ... 30
Reverse polarity protection	For all electrical connections

Electromechanical components		
Type	SMT-10-...-K...-...	SMT-10-...-S...-...
Electrical connection	Cable, 3-wire	Cable with plug M8x1, 3-pin
Connection direction	In-line, lateral	In-line, lateral
Cable length	[m] 2.5	0.3
Information on cable sheath materials	PUR	


Proximity sensors SMT-10, for C-slot

Technical data – Magneto-resistive

Mechanical components		
Type of mounting	Clamped in C-slot, insertable in the slot lengthwise	
Tightening torque	[Nm]	0.05 ... 0.1
Information on housing materials	PA, high-alloy stainless steel, nickel-plated brass	

Display/operation	
Switching status display	Yellow LED

Immissions/emissions		
Ambient temperature with flexible cable installation	[°C]	-5 ... +60
Protection class		IP65
		IP67
Insulation voltage	[V]	50
Degree of contamination		3

Pin allocation to EN 60947-5-2			
PS/NS			
Plug, 3-pin			
M8x1	Pin	Wire colour	Allocation
	1	Brown	+
	3	Blue	-
	4	Black	Output

Proximity sensors SMT-10, for C-slot

Technical data – Magneto-resistive



Dimensions Download CAD Data → www.festo.com/us/cad

Cable, in-line connection **Cable, lateral connection**

- 1 Connecting cable
- 2 Yellow LED
- 3 Theoretical switching point
- 4 Threaded pin M2x4

Plug M8x1, in-line connection

- 1 Plug to fit connecting cable NEBU-M8
- 2 Yellow LED
- 3 Theoretical switching point
- 4 Threaded pin M2x4

Plug M8x1, lateral connection

- 1 Plug to fit connecting cable NEBU-M8
- 2 Yellow LED
- 3 Theoretical switching point
- 4 Threaded pin M2x4

Ordering data						
	Switching output	Electrical connection		Cable length [m]	Part No.	Type
		Cable	Cable with plug, M8x1			
In-line connection						
	N/O contact					
	PNP	3-wire	–	2.5	173218	SMT-10-PS-KL-LED-24
		–	3-pin	0.3	173220	SMT-10-PS-SL-LED-24
	NPN	3-wire	–	2.5	173222	SMT-10-NS-KL-LED-24
–		3-pin	0.3	173224	SMT-10-NS-SL-LED-24	
Lateral connection						
	N/O contact					
	PNP	3-wire	–	2.5	173219	SMT-10-PS-KQ-LED-24
		–	3-pin	0.3	173221	SMT-10-PS-SQ-LED-24
	NPN	3-wire	–	2.5	173223	SMT-10-NS-KQ-LED-24
		–	3-pin	0.3	173225	SMT-10-NS-SQ-LED-24

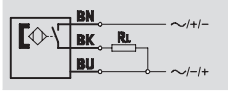
Proximity sensors SME-10, for C-slot

Technical data – Magnetic reed

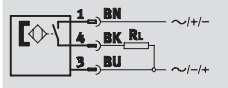


Function

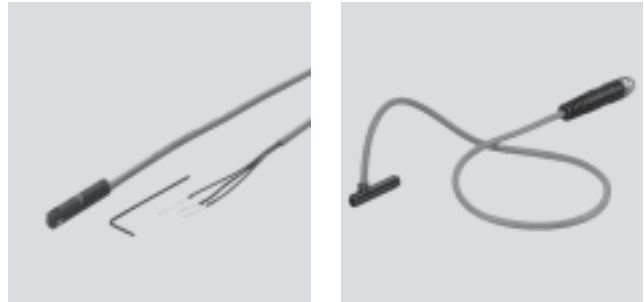
NO contact, 3-wire, with cable



N/O contact, 3-wire, with plug



- Magneto-resistive measuring principle
- Insertable in the slot lengthwise



General technical data	
Design	For C-slot
Based on standard	DIN EN 60947-5-2
CE mark (see declaration of conformity)	To EU EMC Directive
Note on materials	Free of copper and PTFE

Input signal/measuring element	
Measuring principle	Magnetic reed
Ambient temperature	[°C] -20 ... +70

Switching output	
Switching output	Contacting, bipolar
Switching element function	N/O contact
Reproducibility of switching value	[mm] ±0.1
Switch-on time	[ms] ≤0.6
Switch-off time	[ms] ≤0.05
Max. output current	[mA] 100
Max. switching frequency	[Hz] 500
Max. switching capacity DC	[W] 1
Voltage drop	[V] 0

Output, additional data	
Protection against short circuit	No
Protection against overloading	No

Electronic components	
Operating voltage range DC	[V] 12 ... 27
Operating voltage range AC	[V] 12 ... 27
Reverse polarity protection	No

Electromechanical components		
Type	SME-10-...-K...-...	SME-10-...-S...-...
Electrical connection	Cable, 3-wire	Cable with plug M8x1, 3-pin
Connection direction	In-line, lateral	In-line, lateral
Cable length	[m] 2.5	0.3
Information on cable sheath materials	PUR	

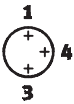
Proximity sensors SME-10, for C-slot

Technical data – Magnetic reed

Mechanical components		
Type	SME-10-...-K...-...	SME-10-...-S...-...
Type of mounting	Clamped in C-slot, insertable in the slot lengthwise	
Tightening torque	[Nm]	0.18
Information on housing materials	PPS, high-alloy stainless steel	PPS, TPE-U(PU), high-alloy stainless steel, nickel-plated brass

Display/operation	
Switching status display	Yellow LED

Immissions/emissions		
Ambient temperature with flexible cable installation	[°C]	-5 ... +70
Protection class		IP65
		IP67
Insulation voltage	[V]	50
Surge capacity	[kV]	0.8
Degree of contamination		3

Pin allocation to EN 60947-5-2			
Plug, 3-pin			
M8x1	Pin	Wire colour	Allocation
	1	Brown	+
	3	Blue	-
	4	Black	Output

Proximity sensors SME-10, for C-slot

Technical data – Magnetic reed



Dimensions Download CAD Data → www.festo.com/us/cad

Cable, in-line connection **Cable, lateral connection**

- 1 Connecting cable
- 2 Theoretical switching point
- 3 Threaded pin M2x4
- 4 Yellow LED (positive switching)
- 5 Yellow LED (negative switching)

Plug M8x1, in-line connection

- 1 Plug to fit connecting cable NEBU-M8
- 2 Theoretical switching point
- 3 Threaded pin M2x4
- 4 Yellow LED (positive switching)
- 5 Yellow LED (negative switching)

Plug M8x1, lateral connection

- 1 Plug to fit connecting cable NEBU-M8
- 2 Theoretical switching point
- 3 Threaded pin M2x4
- 4 Yellow LED (positive switching)
- 5 Yellow LED (negative switching)

Ordering data						
	Switching output	Electrical connection		Cable length [m]	Part No.	Type
		Cable	Cable with plug, M8x1			
In-line connection						
	N/O contact					
	Contacting, bipolar	3-wire	–	2.5	173210	SME-10-KL-LED-24
–		3-pin	0.3	173212	SME-10-SL-LED-24	
Lateral connection						
	N/O contact					
	Contacting, bipolar	3-wire	–	2.5	173211	SME-10-KQ-LED-24
–		3-pin	0.3	173213	SME-10-SQ-LED-24	

Proximity sensors SMT-10G, for C-slot

Type codes

SMT-10G

		SMT	10G	PS	24V	E	2,5Q	OE
Function								
SMT	Proximity sensor, magneto-resistive							
Design								
10G	For C-slot, insertable in slot lengthwise							
Switching output, switching element function								
PS	PNP, N/O contact, 3-wire							
Rated operating voltage								
24V	24 V DC							
Cable properties								
E	Energy chain + robot applications							
Cable length [m], connection direction								
2,5Q	Cable, 2.5 m, lateral ¹⁾							
0,3Q	Cable with plug, 0.3 m, lateral ²⁾							
Electrical connection								
OE	Open end							
M5D	Cable with plug M5x0.5, rotatable thread							
M8D	Cable with plug M8x1, rotatable thread							

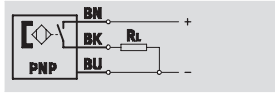
1) Only with electrical connection OE
 2) Not with electrical connection OE

Proximity sensors SMT-10G, for C-slot

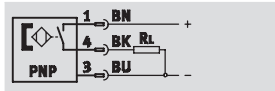
Technical data – Magneto-resistive

Function

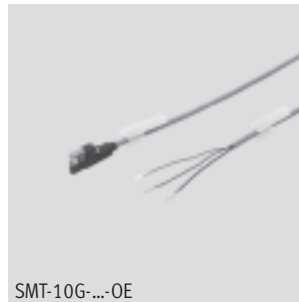
PNP, N/O contact, with cable, 3-wire



PNP, N/O contact, with plug



- Magneto-resistive measuring principle
- Insertable in slot lengthwise
- Design ideally matched to gripper sensing



General technical data	
Design	For C-slot
Based on standard	EN 60947-5-2
CE mark (see declaration of conformity)	To EU EMC Directive
Note on materials	Free of copper and PTFE RoHS-compliant

Input signal/measuring element	
Measuring principle	Magneto-resistive
Ambient temperature	[°C] -20 ... +70

Switching output	
Switching output	PNP
Switching element function	N/O contact
Max. output current	[mA] 80
Max. switching capacity DC	[W] 2.4

Output, additional data	
Protection against short circuit	Pulsed
Protection against overloading	Yes

Electronic components	
Operating voltage range	[V DC] 10 ... 30
Reverse polarity protection	For all electrical connections

Electromechanical components			
Type	SMT-10G-...-OE	SMT-10G-...-M5D	SMT-10G-...-M8D
Electrical connection	Cable, 3-wire	Cable with plug M5x0.5, 3-pin, rotatable thread	Cable with plug M8x1, 3-pin, rotatable thread
Connection direction	Lateral		
Cable test conditions	Energy chain: 5 million cycles, bending radius 28 mm		
	Torsional strength: > 300,000 cycles, ±270°/0.1 m		
	Resistance to bending: to Festo standard; test conditions on request		
Cable length	[m] 2.5	0.3	0.3
Cable properties	Energy chain + robot applications		
Cable sheath material	Thermoplastic polyurethane elastomer		


Mechanical components	
Type of mounting	Clamped in C-slot Insertable in slot lengthwise
Housing material	Reinforced polyamide

Proximity sensors SMT-10G, for C-slot

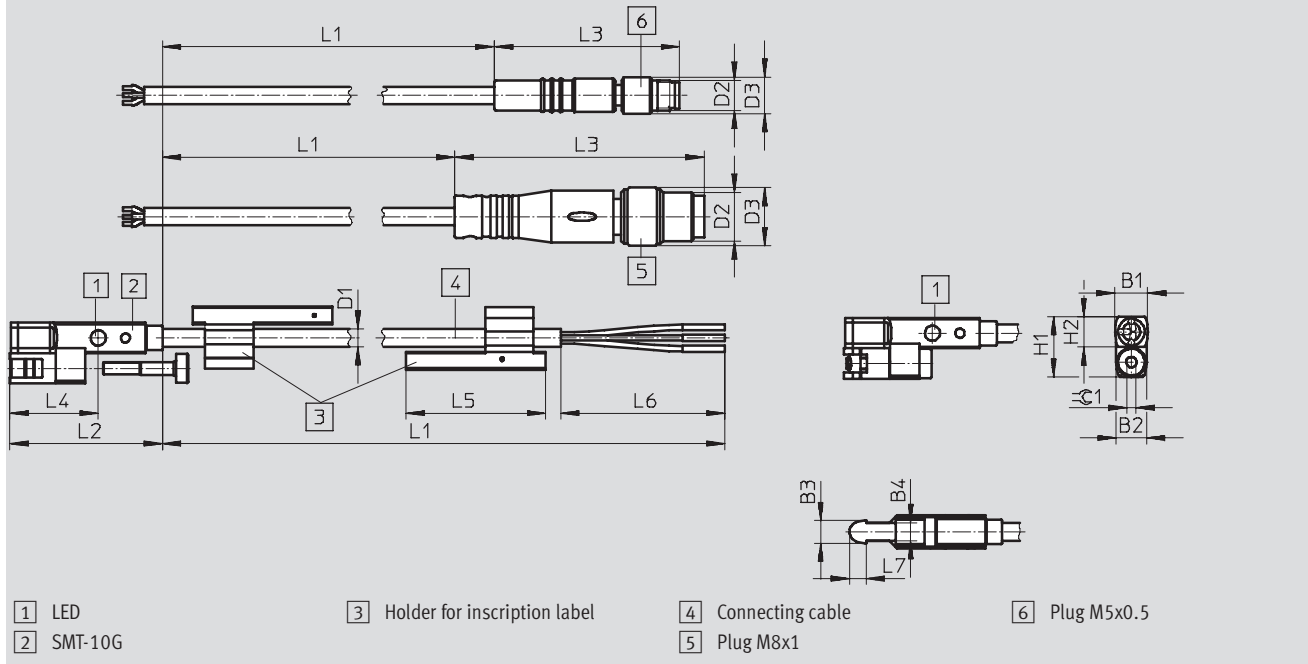
Technical data – Magneto-resistive

Display/operation	
Switching status display	Yellow LED

Immissions/emissions	
Ambient temperature with flexible cable installation	[-5 ... +70] °C
Protection class	IP65 IP68

Pin allocation to EN 60947-5-2			
PS			
Plug, 3-pin			
M5x0.5, M8x1	Pin	Wire colour	Allocation
	1	Brown	+
	3	Blue	-
	4	Black	Output


Dimensions Download CAD Data → www.festo.com/us/cad



	D1	D2	D3	B1	B2	B3	B4	H1	H2	L1	L2	L3	L4	L5	L6	L7	
SMT-10G-...-OE	2.9	-	-	5.4	5	3.75	3	10	5	2500 +70	25	-	14.4	23	50	2.75	1.5
SMT-10G-...-M8D		M8x1	9.6							41.1							
SMT-10G-...-M5D		M5x0.5	6							30.5							

Proximity sensors SMT-10G, for C-slot

Technical data – Magneto-resistive

Ordering data							
	Switching output	Electrical connection			Cable length [m]	Part No.	Type
		Cable	Cable with plug, rotatable thread				
			M5x0.5	M8x1			
N/O contact							
	PNP	3-wire	–	–	2.5	547862	SMT-10G-PS-24V-E-2,5Q-OE
		–	3-pin	–	0.3	547864	SMT-10G-PS-24V-E-0,3Q-M5D
		–	–	3-pin		547863	SMT-10G-PS-24V-E-0,3Q-M8D

Proximity sensors SMT/SME-10, for C-slot

FESTO

Accessories

Mounting SMBN-10

for mounting proximity sensors
SME/SMT-10 on drives with T-slot

Materials:

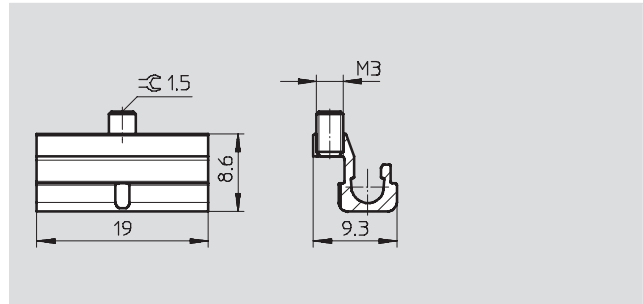
Rail: Anodised wrought aluminium
alloy

Screws: High-alloy stainless steel

Note on materials:

Free of copper and PTFE

RoHS-compliant

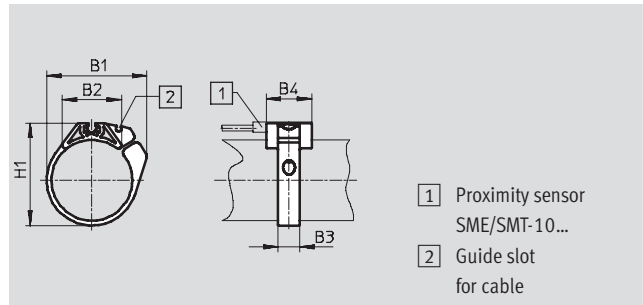


Ordering data

For piston \varnothing	Part No.	Type
125 ... 320	537809	SMBN-10

Mounting kit SMBR

Material:
Polyacetal



Dimensions and ordering data

For piston \varnothing	B1	B2	B3 ± 0.1	B4 ± 0.1	H1	Part No.	Type
6	15.6	9.4	7	19	13.5	173226	SMBR-10-6
8	18.9	12.3	7	19	17.5	175101	SMBR-10-8
10	20.4	13.7	7	19	19.9	173227	SMBR-10-10
12	22.7	14.3	7	19	21.9	175102	SMBR-10-12
16	26.1	17	7	19	25.7	173228	SMBR-10-16
20	33.2	20.8	9	19	30.4	175103	SMBR-10-20
25	36.5	22.6	9	19	35.6	175104	SMBR-10-25
32	41.7	24.5	9	19	42.7	175105	SMBR-10-32
40	47	26.5	9	19	50.7	175106	SMBR-10-40
50	56.4	28.6	9	19	61.5	175107	SMBR-10-50
63	69.4	32	9	19	74.5	175108	SMBR-10-63

Proximity sensors SMT/SME-10, for C-slot

Accessories



Positioning component SMM

Insertable in slot lengthwise

Ambient temperature: -40 ... +120 °C

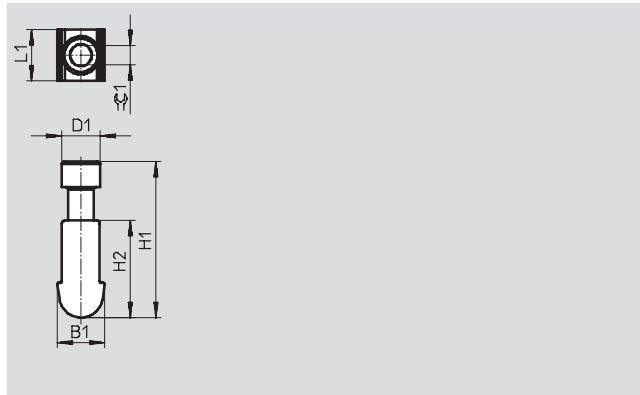
Materials:

Housing: Anodised wrought aluminium alloy

Screws: High-alloy stainless steel

Note on materials:

RoHS-compliant



Dimensions and ordering data									
B1	D1	H1	H2	L1	⌀C1	CRC ¹⁾	Part No.	Type	PU ²⁾
3.75	3.0	12.23	7.6	4.0	1.5	3	547942	SMM-10	10

1) Corrosion resistance class 4 according to Festo standard 940 070

Components subject to particularly high corrosion stress. Parts used with aggressive media, e.g. in the food or chemical industry. These applications should be supported with special tests with the media if required.

2) Packaging unit

Ordering data – Connecting cables					Technical data → Internet: nebu	
Type	Number of wires	Cable length [m]	Part No.	Type		
Socket M5x0.5, 4-pin						
	For SMT/SME-10F and SMT-10G	3	2.5	539508	NEBU-M5G4-K-5-Q3-LE3	
			1.0	539510	NEBU-M5G4-K-1-Q3-M8G3	
		4	1.0	539512	NEBU-M5G4-K-1-Q3-M12G4	
Socket M8x1, 3-pin						
	For SMT/SME-10...	3	2.5	541333	NEBU-M8G3-K-2.5-LE3	
			5	541334	NEBU-M8G3-K-5-LE3	
	For SMT/SME-10...	3	2.5	541338	NEBU-M8W3-K-2.5-LE3	
			5	541341	NEBU-M8W3-K-5-LE3	

Ordering data – Mounting attachments			
For Ø	Part No.	Type	
	6	173205	WSM-6-SME-10
	8	173206	WSM-8-SME-10
	10	173207	WSM-10-SME-10
	-	534255	SMBK-10

Ordering data – Inscription labels, safety clips				
Size	Part No.	Type	PU ¹⁾	
	23x4 mm	541598	ASLR-L-423	34
	M8	548067	NEAU-M8-GD	1
	M12	548068	NEAU-M12-GD	1

1) Packaging unit per frame

Ordering data – Sensor tester	
Part No.	Type
	158481 SM-TEST-1

Product Range and Company Overview

A Complete Suite of Automation Services

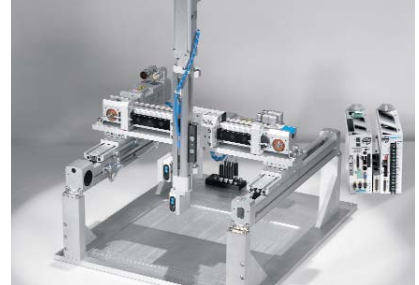
Our experienced engineers provide complete support at every stage of your development process, including: conceptualization, analysis, engineering, design, assembly, documentation, validation, and production.



Custom Automation Components
Complete custom engineered solutions



Custom Control Cabinets
Comprehensive engineering support and on-site services



Complete Systems
Shipment, stocking and storage services

The Broadest Range of Automation Components

With a comprehensive line of more than 30,000 automation components, Festo is capable of solving the most complex automation requirements.



Electromechanical
Electromechanical actuators, motors, controllers & drives



Pneumatics
Pneumatic linear and rotary actuators, valves, and air supply



PLCs and I/O Devices
PLC's, operator interfaces, sensors and I/O devices

Supporting Advanced Automation... As No One Else Can!

Festo is a leading global manufacturer of pneumatic and electromechanical systems, components and controls for industrial automation, with more than 12,000 employees in 56 national headquarters serving more than 180 countries. For more than 80 years, Festo has continuously elevated the state of manufacturing with innovations and optimized motion control solutions that deliver higher performing, more profitable automated manufacturing and processing equipment. Our dedication to the advancement of automation extends beyond technology to the education and development of current and future automation and robotics designers with simulation tools, teaching programs, and on-site services.

Quality Assurance, ISO 9001 and ISO 14001 Certifications

Festo Corporation is committed to supply all Festo products and services that will meet or exceed our customers' requirements in product quality, delivery, customer service and satisfaction.

To meet this commitment, we strive to ensure a consistent, integrated, and systematic approach to management that will meet or exceed the requirements of the ISO 9001 standard for Quality Management and the ISO 14001 standard for Environmental Management.



© Copyright 2008, Festo Corporation. While every effort is made to ensure that all dimensions and specifications are correct, Festo cannot guarantee that publications are completely free of any error, in particular typing or printing errors. Accordingly, Festo cannot be held responsible for the same. For Liability and Warranty conditions, refer to our "Terms and Conditions of Sale", available from your local Festo office. All rights reserved. No part of this publication may be reproduced, distributed, or transmitted in any form or by any means, electronic, mechanical, photocopying or otherwise, without the prior written permission of Festo. All technical data subject to change according to technical update.



Printed on recycled paper at New Horizon Graphic, Inc., FSC certified as an environmentally friendly printing plant.

Festo North America

Festo Regional Contact Center

5300 Explorer Drive
Mississauga, Ontario L4W 5G4
Canada

USA Customers:

For ordering assistance,

Call: 1.800.99.FESTO (1.800.993.3786)

Fax: 1.800.96.FESTO (1.800.963.3786)

Email: customer.service@us.festo.com

For technical support,

Call: 1.866.GO.FESTO (1.866.463.3786)

Fax: 1.800.96.FESTO (1.800.963.3786)

Email: product.support@us.festo.com

Canadian Customers:

Call: 1.877.GO.FESTO (1.877.463.3786)

Fax: 1.877.FX.FESTO (1.877.393.3786)

Email: festo.canada@ca.festo.com

USA Headquarters

Festo Corporation
395 Moreland Road
P.O. Box 18023
Hauppauge, NY 11788, USA
www.festo.com/us

USA Sales Offices

Appleton

North 922 Tower View Drive, Suite N
Greenville, WI 54942, USA

Boston

120 Presidential Way, Suite 330
Woburn, MA 01801, USA

Chicago

1441 East Business Center Drive
Mt. Prospect, IL 60056, USA

Dallas

1825 Lakeway Drive, Suite 600
Lewisville, TX 75057, USA

Detroit – Automotive Engineering Center

2601 Cambridge Court, Suite 320
Auburn Hills, MI 48326, USA

New York

395 Moreland Road
Hauppauge, NY 11788, USA

Silicon Valley

4935 Southfront Road, Suite F
Livermore, CA 94550, USA

United States



USA Headquarters, East: Festo Corp., 395 Moreland Road, Hauppauge, NY 11788

Phone: 1.631.435.0800; Fax: 1.631.435.8026;

Email: info@festo-usa.com

www.festo.com/us

Canada



Headquarters: Festo Inc., 5300 Explorer Drive, Mississauga, Ontario L4W 5G4

Phone: 1.905.624.9000; Fax: 1.905.624.9001;

Email: festo.canada@ca.festo.com

www.festo.ca

Mexico



Headquarters: Festo Pneumatic, S.A., Av. Ceylán 3, Col. Tequesquahuac,
54020 Tlalneantla, Edo. de México

Phone: 011 52 [55] 53 21 66 00; Fax: 011 52 [55] 53 21 66 65;

Email: festo.mexico@mx.festo.com

www.festo.com/mx

Central USA

Festo Corporation
1441 East Business
Center Drive
Mt. Prospect, IL 60056, USA
Phone: 1.847.759.2600
Fax: 1.847.768.9480



Western USA

Festo Corporation
4935 Southfront Road,
Suite F
Livermore, CA 94550, USA
Phone: 1.925.371.1099
Fax: 1.925.245.1286



Festo Worldwide

Argentina Australia Austria Belarus Belgium Brazil Bulgaria Canada Chile China Colombia Croatia Czech Republic Denmark
Estonia Finland France Germany Great Britain Greece Hong Kong Hungary India Indonesia Iran Ireland Israel Italy Japan Latvia
Lithuania Malaysia Mexico Netherlands New Zealand Norway Peru Philippines Poland Romania Russia Serbia Singapore
Slovakia Slovenia South Africa South Korea Spain Sweden Switzerland Taiwan Thailand Turkey Ukraine United States Venezuela

www.festo.com