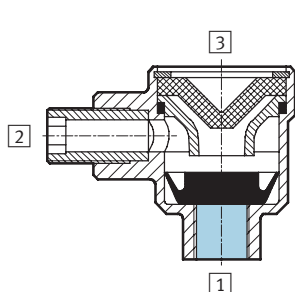
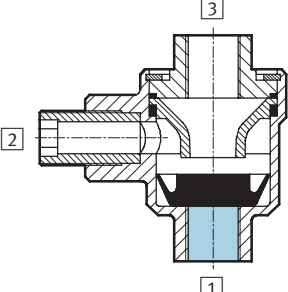




Quick-exhaust valves SE/SEU



Quick-exhaust valves SE/SEU

Key features, product range overview and type code

Features	SE	SEU
<p>Function</p> <p>These components allow higher piston speeds to be achieved on the return stroke of single and double-acting cylinders.</p> <p>Compressed air flows from the pilot valve and via the quick exhaust valve to the cylinder. The exhaust port 3 is closed at this time. When the pressure at 1 falls, exhaust flow occurs from 2 to 3.</p>	<p>In order to achieve the full benefit of the quick exhaust function, the valve must be connected directly to the port of the cylinder.</p> <p>In the quick exhaust valve SEU the exhaust noise is reduced by a silencer.</p>	
		

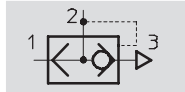
Product range overview				
Function	Design	Type	Pneumatic connection	→ Page/Internet
Quick exhaust valves	Without silencer			
		SE	G $\frac{1}{8}$	3
			G $\frac{1}{4}$	
			G $\frac{3}{8}$	
			G $\frac{1}{2}$	
	With silencer			
		SEU	G $\frac{1}{8}$	5
			G $\frac{1}{4}$	
			G $\frac{3}{8}$	
			G $\frac{1}{2}$	

Type codes	
SE – $\frac{1}{8}$ – B	
Type	
SE	Quick exhaust valve
SEU	Quick exhaust valve with silencer
Pneumatic connection	
$\frac{1}{8}$	G $\frac{1}{8}$
$\frac{1}{4}$	G $\frac{1}{4}$
$\frac{3}{8}$	G $\frac{3}{8}$
$\frac{1}{2}$	G $\frac{1}{2}$
Generation	
	Series A
B	Series B

Quick-exhaust valves SE

Technical data

Function



Without silencer

Flow rate

660 ... 6,480 l/min



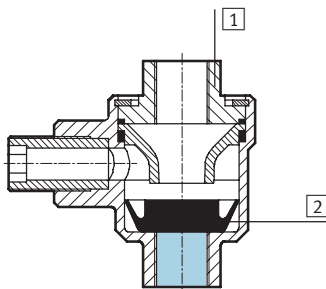
SE-1/8-B

General technical data					
Pneumatic connection		G1/8	G1/4	G3/8	G1/2
Valve function		Quick exhaust			
Type of mounting		Can be screwed in			
Mounting position		Any			
Nominal size	[mm]	5	7	11	15
Standard nominal flow rate	1 > 2 [l/min]	300	960	2,880	4,560
Standard nominal flow rate	2 > 3 [l/min]	660	1,200	2,760	6,480
Product weight	[g]	75	100	125	200

Operating and environmental conditions					
Pneumatic connection		G1/8	G1/4	G3/8	G1/2
Operating medium		Filtered compressed air, lubricated or unlubricated			
Operating pressure	[bar]	0.5 ... 10			
Ambient temperature	[°C]	-20 ... +75			
Temperature of medium	[°C]	-20 ... +75			

Materials

Sectional view



Quick exhaust valve	Pneumatic connection	
1 Housing	G1/8, G1/4	Die-cast zinc
	G3/8, G1/2	Die-cast aluminium
2 Seals		Nitrile rubber

Quick-exhaust valves SE

Technical data

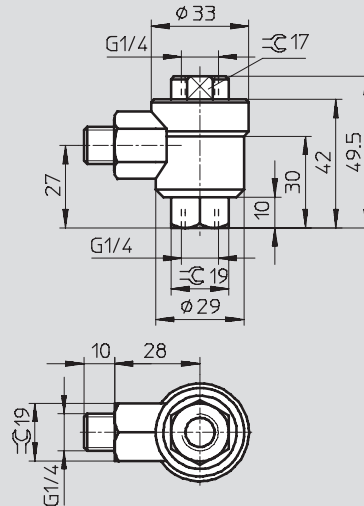
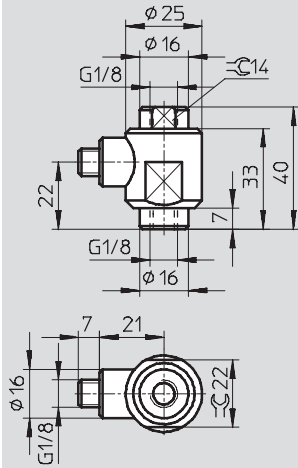
FESTO

Dimensions

Download CAD Data → www.festo.com/us/cad

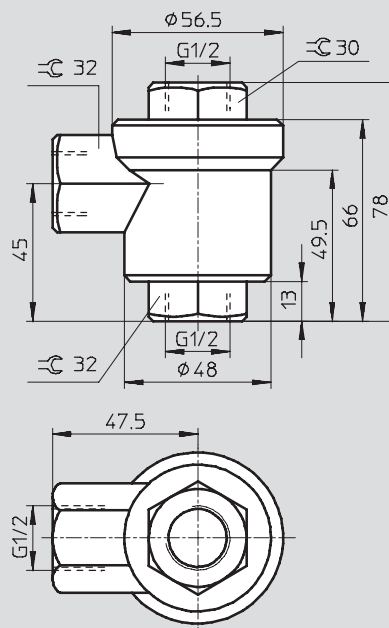
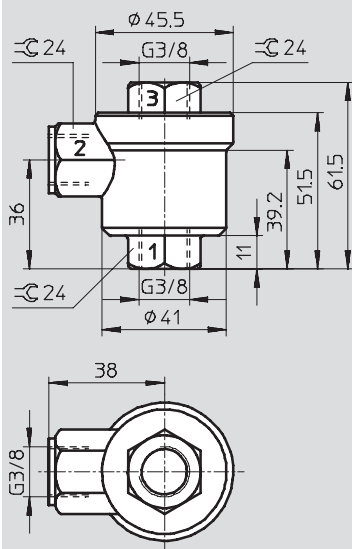
Pneumatic connection G $\frac{1}{8}$

Pneumatic connection G $\frac{1}{4}$



Pneumatic connection G $\frac{3}{8}$

Pneumatic connection G $\frac{1}{2}$




1 = Compressed air connection

2 = Outlet line

3 = Exhaust

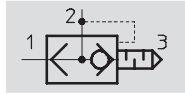
Ordering data

Circuit symbol	Pneumatic connection	Part No.	Type
	G $\frac{1}{8}$	9685	SE- $\frac{1}{8}$ -B
	G $\frac{1}{4}$	9686	SE- $\frac{1}{4}$ -B
	G $\frac{3}{8}$	9687	SE- $\frac{3}{8}$ -B
	G $\frac{1}{2}$	9688	SE- $\frac{1}{2}$ -B

Quick-exhaust valves SEU

Technical data

Function



With silencer

Flow rate

550 ... 4,020 l/min



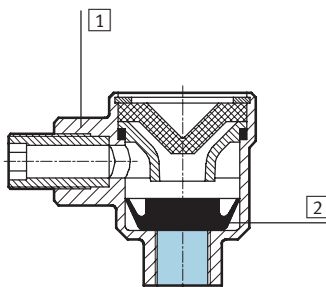
SEU-1/4

General technical data					
Pneumatic connection		G1/8	G1/4	G3/8	G1/2
Valve function		Quick exhaust			
Type of mounting		Can be screwed in			
Mounting position		Any			
Nominal size	[mm]	5	7	11	15
Standard nominal flow rate	1 > 2 [l/min]	300	960	2,880	4,560
Standard nominal flow rate	2 > 3 [l/min]	550	1,100	2,280	4,020
Product weight	[g]	65	120	160	320
Noise level	[dB (A)]	85			

Operating and environmental conditions					
Pneumatic connection		G1/8	G1/4	G3/8	G1/2
Operating medium		Filtered compressed air, lubricated or unlubricated			
Operating pressure	[bar]	0,5 ... 10			
Ambient temperature	[°C]	-20 ... +75			
Temperature of medium	[°C]	-20 ... +75			

Materials

Sectional view



Quick exhaust valve	Pneumatic connection	
1 Housing	G1/8, G1/4	Die-cast zinc
	G3/8, G1/2	Die-cast aluminium
2 Seals		Nitrile rubber

Quick-exhaust valves SEU

Technical data

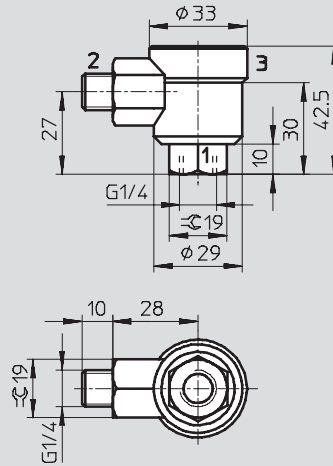
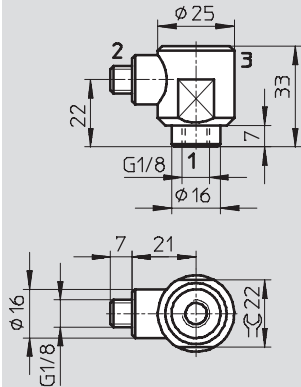
FESTO

Dimensions

Download CAD Data → www.festo.com/us/cad

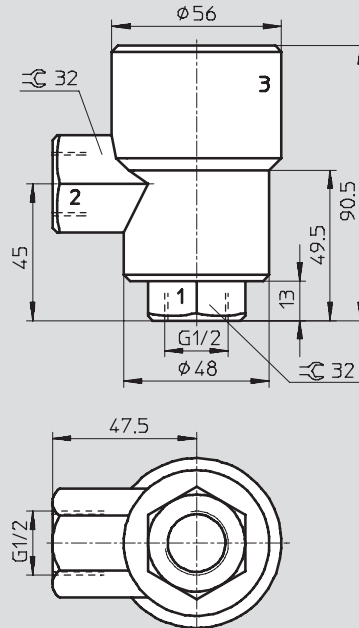
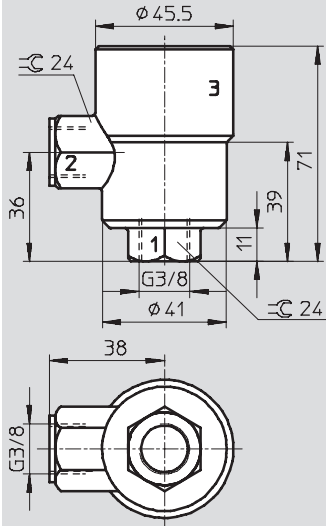
Pneumatic connection G $\frac{1}{8}$

Pneumatic connection G $\frac{1}{4}$



Pneumatic connection G $\frac{3}{8}$

Pneumatic connection G $\frac{1}{2}$



1 = Compressed air connection

2 = Outlet line

3 = Exhaust

Ordering data

Design	Pneumatic connection	Part No.	Type
	G $\frac{1}{8}$	4616	SEU- $\frac{1}{8}$
	G $\frac{1}{4}$	6753	SEU- $\frac{1}{4}$
	G $\frac{3}{8}$	6755	SEU- $\frac{3}{8}$
	G $\frac{1}{2}$	6822	SEU- $\frac{1}{2}$

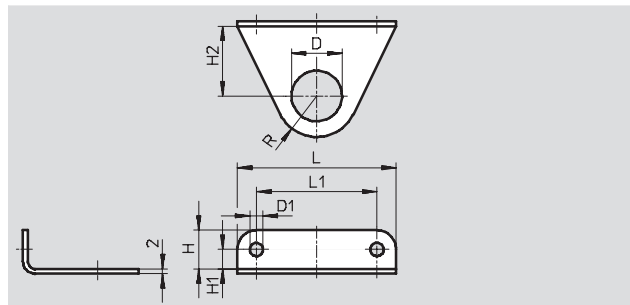
Quick-exhaust valves SE/SEU

Accessories



Mounting bracket HSE

Material:

Anodised aluminium



Dimensions and ordering data											
For connecting thread	D Ø	D1 Ø	H	H1	H2	L	L1	R	Weight [g]	Part No.	Type
G $\frac{1}{8}$	10	4.5	11	6	13.5	40	30	10	5.1	8 710	HSE-$\frac{1}{8}$
G $\frac{1}{4}$	13.2	4.5	11	6	17	42	32	14	6.4	8 711	HSE-$\frac{1}{4}$
G $\frac{3}{8}$	16.8	5.5	13	7	23.5	54	42	13	9	8 712	HSE-$\frac{3}{8}$
G $\frac{1}{2}$	21	5.5	16	8	29	66	50	17	14	8 713	HSE-$\frac{1}{2}$

Ordering data		Part No.	Type
Push-in/threaded fittings QS			
		→	Internet: quick star
Silencers			
		→	Internet: u

Product Range and Company Overview

A Complete Suite of Automation Services

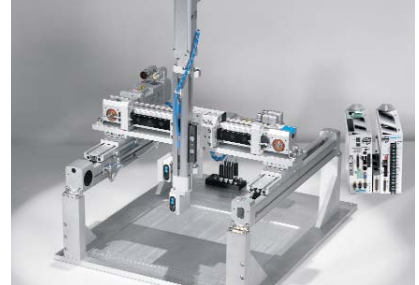
Our experienced engineers provide complete support at every stage of your development process, including: conceptualization, analysis, engineering, design, assembly, documentation, validation, and production.



Custom Automation Components
Complete custom engineered solutions



Custom Control Cabinets
Comprehensive engineering support and on-site services



Complete Systems
Shipment, stocking and storage services

The Broadest Range of Automation Components

With a comprehensive line of more than 30,000 automation components, Festo is capable of solving the most complex automation requirements.



Electromechanical
Electromechanical actuators, motors, controllers & drives



Pneumatics
Pneumatic linear and rotary actuators, valves, and air supply



PLCs and I/O Devices
PLC's, operator interfaces, sensors and I/O devices

Supporting Advanced Automation... As No One Else Can!

Festo is a leading global manufacturer of pneumatic and electromechanical systems, components and controls for industrial automation, with more than 12,000 employees in 56 national headquarters serving more than 180 countries. For more than 80 years, Festo has continuously elevated the state of manufacturing with innovations and optimized motion control solutions that deliver higher performing, more profitable automated manufacturing and processing equipment. Our dedication to the advancement of automation extends beyond technology to the education and development of current and future automation and robotics designers with simulation tools, teaching programs, and on-site services.

Quality Assurance, ISO 9001 and ISO 14001 Certifications

Festo Corporation is committed to supply all Festo products and services that will meet or exceed our customers' requirements in product quality, delivery, customer service and satisfaction.

To meet this commitment, we strive to ensure a consistent, integrated, and systematic approach to management that will meet or exceed the requirements of the ISO 9001 standard for Quality Management and the ISO 14001 standard for Environmental Management.



© Copyright 2008, Festo Corporation. While every effort is made to ensure that all dimensions and specifications are correct, Festo cannot guarantee that publications are completely free of any error, in particular typing or printing errors. Accordingly, Festo cannot be held responsible for the same. For Liability and Warranty conditions, refer to our "Terms and Conditions of Sale", available from your local Festo office. All rights reserved. No part of this publication may be reproduced, distributed, or transmitted in any form or by any means, electronic, mechanical, photocopying or otherwise, without the prior written permission of Festo. All technical data subject to change according to technical update.



Printed on recycled paper at New Horizon Graphic, Inc., FSC certified as an environmentally friendly printing plant.

Festo North America

Festo Regional Contact Center

5300 Explorer Drive
Mississauga, Ontario L4W 5G4
Canada

USA Customers:

For ordering assistance,

Call: 1.800.99.FESTO (1.800.993.3786)

Fax: 1.800.96.FESTO (1.800.963.3786)

Email: customer.service@us.festo.com

For technical support,

Call: 1.866.GO.FESTO (1.866.463.3786)

Fax: 1.800.96.FESTO (1.800.963.3786)

Email: product.support@us.festo.com

Canadian Customers:

Call: 1.877.GO.FESTO (1.877.463.3786)

Fax: 1.877.FX.FESTO (1.877.393.3786)

Email: festo.canada@ca.festo.com

USA Headquarters

Festo Corporation
395 Moreland Road
P.O. Box 18023
Hauppauge, NY 11788, USA
www.festo.com/us

USA Sales Offices

Appleton

North 922 Tower View Drive, Suite N
Greenville, WI 54942, USA

Boston

120 Presidential Way, Suite 330
Woburn, MA 01801, USA

Chicago

1441 East Business Center Drive
Mt. Prospect, IL 60056, USA

Dallas

1825 Lakeway Drive, Suite 600
Lewisville, TX 75057, USA

Detroit – Automotive Engineering Center

2601 Cambridge Court, Suite 320
Auburn Hills, MI 48326, USA

New York

395 Moreland Road
Hauppauge, NY 11788, USA

Silicon Valley

4935 Southfront Road, Suite F
Livermore, CA 94550, USA

United States



USA Headquarters, East: Festo Corp., 395 Moreland Road, Hauppauge, NY 11788

Phone: 1.631.435.0800; Fax: 1.631.435.8026;

Email: info@festo-usa.com

www.festo.com/us

Canada



Headquarters: Festo Inc., 5300 Explorer Drive, Mississauga, Ontario L4W 5G4

Phone: 1.905.624.9000; Fax: 1.905.624.9001;

Email: festo.canada@ca.festo.com

www.festo.ca

Mexico



Headquarters: Festo Pneumatic, S.A., Av. Ceylán 3, Col. Tequesquahuac,
54020 Tlalneantla, Edo. de México

Phone: 011 52 [55] 53 21 66 00; Fax: 011 52 [55] 53 21 66 65;

Email: festo.mexico@mx.festo.com

www.festo.com/mx

Central USA

Festo Corporation
1441 East Business
Center Drive
Mt. Prospect, IL 60056, USA
Phone: 1.847.759.2600
Fax: 1.847.768.9480



Western USA

Festo Corporation
4935 Southfront Road,
Suite F
Livermore, CA 94550, USA
Phone: 1.925.371.1099
Fax: 1.925.245.1286



Festo Worldwide

Argentina Australia Austria Belarus Belgium Brazil Bulgaria Canada Chile China Colombia Croatia Czech Republic Denmark
Estonia Finland France Germany Great Britain Greece Hong Kong Hungary India Indonesia Iran Ireland Israel Italy Japan Latvia
Lithuania Malaysia Mexico Netherlands New Zealand Norway Peru Philippines Poland Romania Russia Serbia Singapore
Slovakia Slovenia South Africa South Korea Spain Sweden Switzerland Taiwan Thailand Turkey Ukraine United States Venezuela

www.festo.com