



# Connecting cables NEBU, plug sockets with cable SIM

Product overview



- Connecting cables for standard, drag chain and robot applications
- Versions with switching status display
- Welding field immune designs
- Easy-to-clean designs approved for use in the food and packaging sector
- Cable length 0.1 ... 25 m freely selectable

Detailed product information

→ [www.festo.com/catalogue/nebu](http://www.festo.com/catalogue/nebu)

Product overview						
Design	Type	Electrical connection		Number of wires	Cable length [m]	→ Page
		Left	Right			
Basic version	NEBU-M5	Socket M5x0.5	Open end	3	5	264
			Plug M8x1	3	1	
			Plug M12x1	4	1	
	NEBU-M8	Socket M8x1	Open end	3, 4	0.1 ... 25	264
			Plug M8x1			
			Plug M12x1			
	NEBU-M12	Socket M12x1	Open end	3, 4, 5	0.1 ... 25	264
Plug M8x1						
Plug M12x1						
SIM-M12-8	Socket M12x1	Open end	8	2; 5	269	
		Plug M8x1				
		Plug M12x1				
KSMH-1-M8-2-M8	Socket M8x1	Plug M8x1	4	2		
KM12-8	Socket M12x1	Plug M12x1	8	2		
With switching status display	NEBU-M8	Socket M8x1	Open end	3	0.1 ... 25	264
			Plug M8x1			
			Plug M12x1			
	NEBU-M12	Socket M12x1	Open end	3	0.1 ... 25	264
			Plug M8x1			
Plug M12x1						
Welding field immune	SIM-M12-RS	Socket M12x1	Open end	3	3	269
With clip-on socket	SIM-K	Socket, clip-on	Open end	3	2.5; 5; 10	269
				4	2.5; 5	
For food industry, easy to clean	SIM-K-CDN	Socket, clip-on	Open end	3	2.5; 5	269

# Connecting cables NEBU, plug sockets with cable SIM

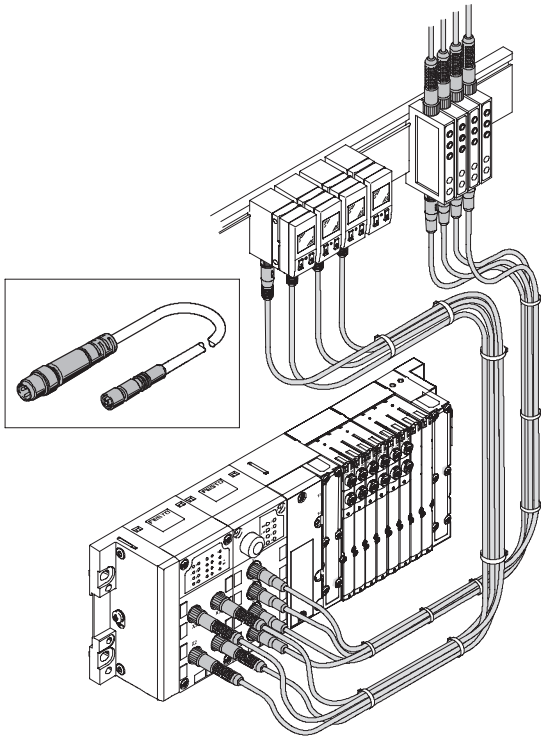
Key features



## Cable qualitys

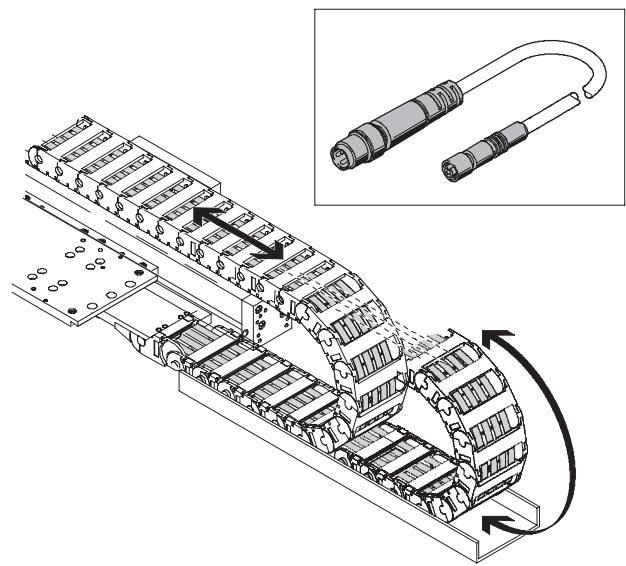
The sensor cables can be configured using the modular system. You can choose from qualitys that are suited to standard, drag chain or robot applications.

### Standard application



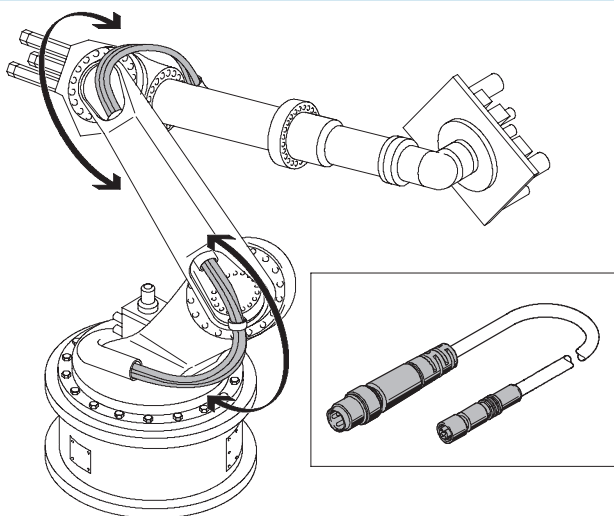
- Standard applications are characterised by fixed cable installation or low to average mechanical loads.

### Drag chain application



- High mechanical loads occur in drag chain applications, particularly when very small radii are required.

### Robot application



- High mechanical loads, which are primarily caused by torsion, occur in robot applications.

# Connecting cables NEBU

Type codes

NEBU – M12 W 5 P – K – 2.5 – – – LE – 3

### Function

NEBU	Connecting cable
------	------------------

### Connection, left

M5	Socket with connecting thread
M8	Socket with connecting thread
M12	Socket with connecting thread, A-coded

### Socket design

G	Straight
W	Angled

### Number of pins/wires (left)

3	3-pin (fitting for M8 plug)
4	4-pin (fitting for M8 plug)
5	5-pin (fitting for 3-, 4- and 5-pin M12 plug)

### Display

–	Without LED (standard)
P	LED, PNP
N	LED, NPN

### Cable quality

K	Standard
E	Suitable for drag chain
R	Suitable for robots

### Cable length

0.1 ... 25	0.1 ... 25 m
------------	--------------

### Alternative wire cross section

–	0.25 mm <sup>2</sup> (standard)
Q3	0.14 mm <sup>2</sup>

### Cable designation

–	With inscription label holder (standard)
N	Without inscription label holder

### Connection, right

LE	Open end
M8	Socket with connecting thread
M12	Socket with connecting thread, A-coded

### Plug design

G	Straight
W	Angled

### Number of pins/wires (right)

3	3-pin (fitting for M8/M12 socket)
4	4-pin (fitting for M8/M12 socket)
5	5-pin (fitting for M12 socket)

# Connecting cables NEBU

Technical data



General technical data			
Electrical connection, left	Socket M5x0.5	Socket M8x1	Socket M12x1
Design			
Cable length [m]	→ Ordering data	0.1 ... 25	
Ready status display <sup>1)</sup>	–	Green LED	
Switching status display <sup>1)</sup>	–	Yellow LED	
Cable quality <sup>1)</sup>	Standard	Standard	
	–	Suitable for drag chain	
	–	Suitable for robots	
Test conditions for standard cables	Chain link trunking: 5 million cycles, bending radius 75 mm		
	Resistance to bending: To Festo standard; test conditions on request		
Test conditions for suitability for chain link trunking	Chain link trunking: 5 million cycles, bending radius 28 mm		
	Resistance to bending: To Festo standard; test conditions on request		
Test conditions for suitability for robots	Chain link trunking: 5 million cycles, bending radius 28 mm		
	Torsional strength: > 300,000 cycles, ±270°/0.1 m		
	Resistance to bending: To Festo standard; test conditions on request		
Operating and environmental conditions			
Ambient temperature [°C]	–25 ... +70	–25 ... +80	
Ambient temperature with flexible cable installation [°C]	–5 ... +70	–5 ... +80	
Protection class	IP65, IP67		
Materials			
Housing	Polyurethane		
Cable sheath	Polyurethane		

1) If the relevant option is selected → Ordering table 265 and modular products266

Electrical data – Socket M5x0.5			
Electrical connection, left	Straight socket, M5x0.5, 3-pin		
Electrical connection, right	Cable, open end, 3-wire	Straight plug, M8x1, 3-pin	Straight plug, M12x1, 4-pin
Operating voltage range	AC [V]	125	60
	DC [V]	125	75

Electrical data – Socket M8x1			
Electrical connection, left <sup>1)</sup>	Socket M8x1, 3-pin, straight or angled		Socket M8x1, 4-pin, straight or angled
Electrical connection, right <sup>1)</sup>	Plug M8x1 or M12x1 3-pin, straight or angled		Plug M8x1 or M12x1 4-pin, straight or angled
	Open end, 3-wire		Open end, 4-wire
Operating voltage range	AC [V]	0 ... 60	0 ... 30
	DC [V]	0 ... 60	0 ... 30

1) Possible combinations → Ordering table 265 and modular products266

Electrical data – Socket M12x1			
Electrical connection, left <sup>1)</sup>	Socket M12x1, 5-pin, straight or angled		
Electrical connection, right <sup>1)</sup>	Plug M8x1 or M12x1 3-pin, straight or angled		Plug M8x1 or M12x1 5-pin, straight or angled
	Open end, 3-wire		Open end, 4-wire
Operating voltage range	AC [V]	0 ... 300	0 ... 60
	DC [V]	0 ... 300	0 ... 60

1) Possible combinations → Ordering table 265 and modular products266


# Connecting cables NEBU


Technical data



FESTO

Ordering data – Basic version					
Electrical connection, left	Electrical connection, right	Cable length [m]	Part No.	Type	
Straight socket, M5x0.5, 3-pin	Cable, open end, 3-wire	5	539 508	NEBU-M5G4-K-5-Q3-LE3	
	Straight plug, M8x1, 3-pin	1	539 510	NEBU-M5G4-K-1-Q3-M8G3	
	Straight plug, M12x1, 4-pin	1	539 512	NEBU-M5G4-K-1-Q3-M12G4	
Straight socket, M8x1, 3-pin	Cable, open end, 3-wire	2.5	541 333	NEBU-M8G3-K-2.5-LE3	
		5	541 334	NEBU-M8G3-K-5-LE3	
		10	541 332	NEBU-M8G3-K-10-LE3	
	Straight plug, M8x1, 3-pin	0.5	541 346	NEBU-M8G3-K-0.5-M8G3	
		1	541 347	NEBU-M8G3-K-1-M8G3	
		2.5	541 348	NEBU-M8G3-K-2.5-M8G3	
		5	541 349	NEBU-M8G3-K-5-M8G3	
Angled socket, M8x1, 3-pin	Cable, open end, 3-wire	2.5	541 338	NEBU-M8W3-K-2.5-LE3	
		5	541 341	NEBU-M8W3-K-5-LE3	
		10	541 335	NEBU-M8W3-K-10-LE3	
Straight socket, M8x1, 4-pin	Cable, open end, 4-wire	2.5	541 342	NEBU-M8G4-K-2.5-LE4	
		5	541 343	NEBU-M8G4-K-5-LE4	
Angled socket, M8x1, 4-pin	Cable, open end, 4-wire	2.5	541 344	NEBU-M8W4-K-2.5-LE4	
		5	541 345	NEBU-M8W4-K-5-LE4	
Straight socket, M12x1, 5-pin	Cable, open end, 3-wire	2.5	541 363	NEBU-M12G5-K-2.5-LE3	
		5	541 364	NEBU-M12G5-K-5-LE3	
	Cable, open end, 4-wire	2.5	530 326	NEBU-M12G5-K-2.5-LE4	
		5	541 328	NEBU-M12G5-K-5-LE4	
	Cable, open end, 5-wire	2.5	541 330	NEBU-M12G5-K-2.5-LE5	
		5	541 331	NEBU-M12G5-K-5-LE5	
Angled socket, M12x1, 5-pin	Cable, open end, 3-wire	2.5	541 367	NEBU-M12W5-K-2.5-LE3	
		5	541 370	NEBU-M12W5-K-5-LE3	
	Cable, open end, 4-wire	2.5	530 325	NEBU-M12W5-K-2.5-LE4	
		5	541 329	NEBU-M12W5-K-5-LE4	

Ordering data – With switching status display						
Electrical connection, left	Electrical connection, right	Switch output	Cable length [m]	Part No.	Type	
Angled socket, M8x1, 3-pin	Cable, open end, 3-wire	PNP	2.5	541 337	NEBU-M8W5P-K-2.5-LE3	
			5	541 340	NEBU-M8W5P-K-5-LE3	
		NPN	2.5	541 336	NEBU-M8W5N-K-2.5-LE3	
			5	541 339	NEBU-M8W5N-K-5-LE3	
Angled socket, M12x1, 5-pin	Cable, open end, 3-wire	PNP	2.5	541 366	NEBU-M12W5P-K-2.5-LE3	
			5	541 369	NEBU-M12W5P-K-5-LE3	
		NPN	2.5	541 365	NEBU-M12W5N-K-2.5-LE3	
			5	541 368	NEBU-M12W5N-K-5-LE3	

 Note  
Additional variants can be configured and ordered via the NEBU modular product system → 266.

 Note  
Pin allocations and circuit diagrams → [www.festo.com](http://www.festo.com)

Ordering data – Inscription labels, safety clips						
	Material	Use	Size	Part No.	Type	PU <sup>1)</sup>
	Polycarbonate	For insertion in the inscription label holder	18x4 mm	546 111	ASLR-L-418	57
			23x4 mm	541 598	ASLR-L-423	51
	Polyamide	For protecting push-in connectors from inadvertent disconnection (no tool needed)	M8	548 067	NEAU-M8-GD	1
			M12	548 068	NEAU-M12-GD	1

1) Packaging unit in quantity per frame

# Connecting cables NEBU, M8/M12

Ordering data – Modular products



M Mandatory data					O Options
Module No.	Function	Connection, left	Socket design	Number of pins/wires (left)	Display
539 052	NEBU	M8 M12	G W	3 4 5	– P N
<b>Order example</b>					
539 052	NEBU	– M12	W	5	P

Ordering table		Condi- tions	Code	Enter code
M	Module No.	539 052		
	Function	Connecting cable	NEBU	NEBU
			–	–
	Connection, left	Socket with connecting thread	M8	
		Socket with connecting thread, A-coded	M12	
	Socket design	Straight	G	
		Angled	W	
	Number of pins/wires (left)	3-pin (fitting for M8 plug)	3	
		4-pin (fitting for M8 plug)	4	
		5-pin (fitting for 3-, 4- and 5-pin M12 plug)	5	
O	Display	Without LED (standard)		
		LED, PNP	1	P
		LED, NPN	1	N

- 1 P, N Only in combination with M8 connection technology at left-hand end with socket design W and number of pins/wires (left-hand end) 3  
or  
only in combination with M12 connection technology at left-hand end with socket design W and number of pins/wires (left-hand end) 5 and number of pins/wires (right-hand end) 3.

**Transfer order code**

539 052	NEBU	–				
---------	------	---	--	--	--	--



# Connecting cables NEBU, M8/M12

Ordering data – Modular products

<b>M</b> Mandatory data		<b>O</b> Options	<b>M</b>	<b>O</b>	<b>M</b>
Cable quality	Cable length	Cable designation	Connection, right	Plug design	Number of pins/wires (right)
K E R	0.1 ... 25	- N	LE M8 M12	G W	3 4 5
- E	- 3.5	- N	- M8	- G	- 3

Ordering table						
Module No.	539 052			Condi- tions	Code	Enter code
<b>M</b>	Cable quality	Standard			K	-
		Suitable for drag chain			E	
		Suitable for robots			R	
					-	-
	Cable length	0.1 ... 25 m (0.1 ... 2.5 m in 0.1 m increments, 2.5 ... 25 m in 0.5 m increments)			...	
<b>O</b>					-	-
	Cable designation	With inscription label holder (standard)				
		Without inscription label holder			N	
<b>M</b>					-	-
	Connection, right	Open end			LE	
		Plug with connecting thread			M8	
		Plug with connecting thread, A-coded			M12	
<b>O</b>	Plug design	Straight	[2]		G	
		Angled	[2]		W	
<b>M</b>	Number of pins/wires (right)	3-pin (fitting for M8/M12 socket)	[3]		3	
		4-pin (fitting for M8/M12 socket)	[4]		4	
		5-pin (fitting for M12 socket)	[5]		5	

- [2] **G, W** Must be selected with M8, M12 connection technology at right-hand end.  
Not in combination with LE connection technology at right-hand end.
- [3] **3** Not in combination with M8 connection technology at left-hand end, number of pins/wires (left-hand end) 4 and LE, M12 connection technology at right-hand end.
- [4] **4** Not in combination with M8 connection technology at left-hand end, number of pins/wires (left-hand end) 3 and LE, M12 connection technology at right-hand end.  
Only in combination with LE, M12 connection technology at right-hand end.
- [5] **5** Only in combination with LE, M12 connection technology at right-hand end.  
Not in combination with M8 connection technology at left-hand end and LE, M12 connection technology at right-hand end.

**Transfer order code**

-  -  -  -

# Plug sockets with cable SIM

Type codes

		SIM	-	M12	-	RS	-	3	GD	-	3	-		-	
<b>Type</b>															
SIM	Plug socket with cable for sensors														
<b>Electrical connection</b>															
M12	M12x1 locknut														
K	Clip-on plug														
<b>Welding field immunity</b>															
	Basic type, no welding field immunity														
RS	Welding field immune														
<b>Number of wires</b>															
	3-wire														
4	4-wire														
8	8-wire														
<b>Connection direction</b>															
GD	In-line														
WD	Angled														
<b>Cable length</b>															
2	2 m														
2.5	2.5 m														
3	3 m														
5	5 m														
10	10 m														
<b>Material, cable sheath</b>															
PU	Polyurethane														
<b>Easy cleaning</b>															
	Basic version														
CDN	Clean Design, suitable for foodstuffs														

# Plug sockets with cable SIM, KSMH, KM12

Technical data

Technical data – Connecting cables M8x1, M12x1			
Type		KSMH	KM12
Cable attribute		Standard	
Electrical connection, left		Straight socket, M8x1, 4-pin	Straight socket, M12x1, 8-pin
Electrical connection, right		Straight plug, M8x1, 4-pin	Straight plug, M12x1, 8-pin
Operating voltage range	DC [V]	≤ 75	≤ 70
	AC [V]	≤ 60	≤ 45
Ambient temperature	[°C]	-5 ... +70	-25 ... +80
Protection class		IP68	

Technical data – Plug sockets with cable M12x1, 8-pin			
Cable attribute		Standard	
Electrical connection, left		Straight socket, M12x1, 8-pin	
Electrical connection, right		Cable, open end, 8-wire	
Operating voltage range	DC [V]	≤ 70	
	AC [V]	≤ 45	
Ambient temperature	[°C]	-25 ... +80	
Protection class		IP68	

Technical data – Plug sockets with cable M12x1, welding field immune			
Cable attribute		Standard	
Electrical connection, left		Straight or angled socket, M12x1, 3-pin	
Electrical connection, right		Cable, open end, 3-wire	
Operating voltage range	DC [V]	≤ 70	
	AC [V]	≤ 45	
Ambient temperature	[°C]	-25 ... +80	
Ambient temperature with flexible cable installation	[°C]	0 ... +80	
Protection class		IP65, IP67	

Technical data – Plug sockets with cable, clip-on			
Type		SIM-K	SIM-K-4
Cable attribute		Standard	
Electrical connection, left		Straight or angled socket, clip-on, 3-pin	Straight or angled socket, clip-on, 4-pin
Electrical connection, right		Cable, open end, 3-wire	Cable, open end, 4-wire
Operating voltage range	DC [V]	≤ 70	
	AC [V]	≤ 45	
Ambient temperature	[°C]	-40 ... +70	
Ambient temperature with flexible cable installation	[°C]	-5 ... +70	
Protection class		IP65, IP67	


Technical data – Plug sockets with cable, clip-on, Clean Design			
Cable attribute		Standard	
Electrical connection, left		Straight or angled socket, clip-on, 3-pin	
Electrical connection, right		Cable, open end, 3-wire	
Operating voltage range	DC [V]	≤ 70	
	AC [V]	≤ 45	
Ambient temperature	[°C]	-30 ... +70	
Ambient temperature with flexible cable installation	[°C]	-5 ... +70	
Protection class		IP65, IP67, IP69	

# Plug sockets with cable SIM, KSMH, KM12

Technical data

FESTO

Ordering data				
Electrical connection, left	Electrical connection, right	Cable length [m]	Part No.	Type
<b>Connecting cable</b>				
Straight socket, M8x1, 4-pin	Straight plug, M8x1, 4-pin	2	175 714	KSMH-1-M8-2-M8
Straight socket, M12x1, 8-pin	Straight plug, M12x1, 8-pin	2	525 617	KM12-8GD8GS-2-PU
<b>Plug socket with cable M12x1, basic version</b>				
Straight socket, M12x1, 8-pin	Cable, open end, 8-wire	2	525 616	SIM-M12-8GD-2-PU
		5	525 618	SIM-M12-8GD-5-PU
<b>Plug socket with cable M12x1, welding field immune</b>				
Straight socket, M12x1, 5-pin	Cable, open end, 3-wire	2.5	30 450	SIM-M12-RS-3GD-3
Angled socket, M12x1, 5-pin	Cable, open end, 3-wire	2.5	30 451	SIM-M12-RS-3WD-3
<b>Plug socket with cable, clip-on, basic version</b>				
Straight socket, clip-on, 3-pin	Cable, open end, 3-wire	2.5	164 257	SIM-K-GD-2,5-PU
		5	164 256	SIM-K-GD-5-PU
		10	192 962	SIM-K-GD-10-PU
Angled socket, clip-on, 3-pin	Cable, open end, 3-wire	2.5	164 255	SIM-K-WD-2,5-PU
		5	164 254	SIM-K-WD-5-PU
		10	192 963	SIM-K-WD-10-PU
Straight socket, clip-on, 4-pin	Cable, open end, 4-wire	2.5	164 250	SIM-K-4-GD-2,5-PU
		5	164 251	SIM-K-4-GD-5-PU
Angled socket, clip-on, 4-pin	Cable, open end, 4-wire	2.5	164 252	SIM-K-4-WD-2,5-PU
		5	164 253	SIM-K-4-WD-5-PU
<b>Plug socket with cable, clip-on, Clean Design</b>				
Straight socket, clip-on, 3-pin	Cable, open end, 3-wire	2.5	525 259	SIM-K-GD-2,5-CDN
		5	525 260	SIM-K-GD-5-CDN
Angled socket, clip-on, 3-pin	Cable, open end, 3-wire	2.5	525 261	SIM-K-WD-2,5-CDN
		5	525 262	SIM-K-WD-5-CDN

Ordering data – Safety clip					
	Material	Use	Size	Part No.	Type
	Polyamide	For protecting push-in connectors from inadvertent disconnection (no tool needed)	M8	548 067	NEAU-M8-GD
			M12	548 068	NEAU-M12-GD

# Plug sockets and push-in T-connectors

Product overview



- Customised fabrication of cables
- Connection sizes M8 and M12
- Interconnection of signals

Detailed product information  
 → [www.festo.com/catalogue/nedu](http://www.festo.com/catalogue/nedu)

Product overview			
Variant	Type	Electrical connection	
		Left	Right
Plug	SEA	Straight plug, M8x1, 3-pin	Screw terminals
			Solder lugs
Plug socket	SIE	Straight socket, M8x1, 4-pin	Screw terminals
		Angled socket, M8x1, 4-pin	
Cable socket	NECU	Straight socket, M8x1, 4-pin	Screw terminals
Push-in T-connector	NEDU	Sockets, M8x1, 3-pin	Plug, M8x1, 4-pin
		Sockets, M12x1, 3-pin	Plug M12x1, 4-pin Plugs, M12x1, A-coded, 4-pin

General technical data – SEA			
Type		SEA-3GS-M8-S	SEA-GS-M8
Operating and environmental conditions			
Ambient temperature	[°C]	-40 ... +85	
Protection class		IP65	IP67
Materials			
Housing		Polyamide	

# Plug sockets and push-in T-connectors

Technical data



General technical data – SIE		
Operating and environmental conditions		
Ambient temperature	[°C]	–40 ... +85
Protection class		IP67
Materials		
Housing		Polyamide

General technical data – NECU		
Operating and environmental conditions		
Ambient temperature	[°C]	–40... +80
Protection class		IP67
Materials		
Housing		Polybutene terephthalate

General technical data – NEDU			
Type	NEDU-M8D3-M8T4	NEDU-M8D3-M12T4	NEDU-M12D5-M12T4
Operating and environmental conditions			
Ambient temperature	[°C]	–25 ... +85	
Protection class		IP65, IP67	
Materials			
Housing	Polyamide	Reinforced polyurethane	
Circuit			

Technical data and order codes						
	Electrical connection		Operating voltage range		Part No.	Type
	Left	Right	[V DC]	[V AC]		
<b>Plug SEA</b>						
	Straight plug, M8x1, 3-pin	Screw terminals	≤ 75	≤ 48	192 009	SEA-3GS-M8-S
		Solder lugs	≤ 75	≤ 60	18 696	SEA-GS-M8
<b>Plug socket SIE</b>						
	Straight socket, M12x1, 4-pin	Screw terminals	≤ 150	≤ 125	18 494	SIE-GD
	Angled socket, M8x1, 4-pin		≤ 150	≤ 125	12 956	SIE-WD-TR
<b>Cable socket NECU</b>						
	Straight socket, M8x1, 4-pin	Screw terminals	0 ... 60	0 ... 60	544 392	NECU-M8G4
<b>Push-in T-connector NEDU</b>						
	Socket, M8x1, 3-pin	Plug, M8x1, 4-pin	32	32	544 391	NEDU-M8D3-M8T4
		Plug, M12x1, 4-pin	60	60	541 597	NEDU-M8D3-M12T4
	Socket, M12x1, 3-pin	Plug, M12x1, A-coded, 4-pin	250	250	541 596	NEDU-M12D5-M12T4

# Product Range and Company Overview

## A Complete Suite of Automation Services

Our experienced engineers provide complete support at every stage of your development process, including: conceptualization, analysis, engineering, design, assembly, documentation, validation, and production.



**Custom Automation Components**  
Complete custom engineered solutions



**Custom Control Cabinets**  
Comprehensive engineering support and on-site services



**Complete Systems**  
Shipment, stocking and storage services

## The Broadest Range of Automation Components

With a comprehensive line of more than 30,000 automation components, Festo is capable of solving the most complex automation requirements.



**Electromechanical**  
Electromechanical actuators, motors, controllers & drives



**Pneumatics**  
Pneumatic linear and rotary actuators, valves, and air supply



**PLCs and I/O Devices**  
PLC's, operator interfaces, sensors and I/O devices

## Supporting Advanced Automation... As No One Else Can!

Festo is a leading global manufacturer of pneumatic and electromechanical systems, components and controls for industrial automation, with more than 12,000 employees in 56 national headquarters serving more than 180 countries. For more than 80 years, Festo has continuously elevated the state of manufacturing with innovations and optimized motion control solutions that deliver higher performing, more profitable automated manufacturing and processing equipment. Our dedication to the advancement of automation extends beyond technology to the education and development of current and future automation and robotics designers with simulation tools, teaching programs, and on-site services.

## Quality Assurance, ISO 9001 and ISO 14001 Certifications

Festo Corporation is committed to supply all Festo products and services that will meet or exceed our customers' requirements in product quality, delivery, customer service and satisfaction.

To meet this commitment, we strive to ensure a consistent, integrated, and systematic approach to management that will meet or exceed the requirements of the ISO 9001 standard for Quality Management and the ISO 14001 standard for Environmental Management.



© Copyright 2008, Festo Corporation. While every effort is made to ensure that all dimensions and specifications are correct, Festo cannot guarantee that publications are completely free of any error, in particular typing or printing errors. Accordingly, Festo cannot be held responsible for the same. For Liability and Warranty conditions, refer to our "Terms and Conditions of Sale", available from your local Festo office. All rights reserved. No part of this publication may be reproduced, distributed, or transmitted in any form or by any means, electronic, mechanical, photocopying or otherwise, without the prior written permission of Festo. All technical data subject to change according to technical update.



Printed on recycled paper at New Horizon Graphic, Inc., FSC certified as an environmentally friendly printing plant.

# Festo North America

## United States

### Customer Resource Center

502 Earth City Expy., Suite 125  
Earth City, MO 63045

For ordering assistance, or to find  
your nearest Festo Distributor,

**Call:** 1.800.99.FESTO

**Fax:** 1.800.96.FESTO

**Email:** [customer.service@us.festo.com](mailto:customer.service@us.festo.com)

For technical support,

**Call:** 1.866.GO.FESTO

**Fax:** 1.800.96.FESTO

**Email:** [product.support@us.festo.com](mailto:product.support@us.festo.com)

### Headquarters

Festo Corporation  
395 Moreland Road  
P.O. Box 18023  
Hauppauge, NY 11788  
[www.festo.com/us](http://www.festo.com/us)

---

## Sales Offices

### Appleton

N. 922 Tower View Drive, Suite N  
Greenville, WI 54942

### Boston

120 Presidential Way, Suite 330  
Woburn, MA 01801

### Chicago

1441 East Business Center Drive  
Mt. Prospect, IL 60056

### Dallas

1825 Lakeway Drive, Suite 600  
Lewisville, TX 75057

### Detroit - Automotive Engineering Center

2601 Cambridge Court, Suite 320  
Auburn Hills, MI 48326

### New York

395 Moreland Road  
Hauppauge, NY 11788

### Silicon Valley

4935 Southfront Road, Suite F  
Livermore, CA 94550

## Design and Manufacturing Operations



**East:** 395 Moreland Road, Hauppauge, NY 11788



**Central:** 1441 East Business Center Drive, Mt. Prospect, IL 60056



**West:** 4935 Southfront Road, Suite F, Livermore, CA 94550

---

## Mexico

### Headquarters

Festo Pneumatic, S.A.  
Av. Ceylán 3, Col. Tequesquahuac  
54020 Tlalnepantla, Edo. de México  
**Call:** 011 52 [55] 53 21 66 00  
**Fax:** 011 52 [55] 53 21 66 65  
**Email:** [festo.mexico@mx.festo.com](mailto:festo.mexico@mx.festo.com)  
[www.festo.com/mx](http://www.festo.com/mx)



## Canada

### Headquarters

Festo Inc.  
5300 Explorer Drive  
Mississauga, Ontario L4W 5G4  
**Call:** 1.905.624.9000  
**Fax:** 1.905.624.9001  
**Email:** [info.ca@ca.festo.com](mailto:info.ca@ca.festo.com)  
[www.festo.com/ca](http://www.festo.com/ca)



---

## Festo Worldwide

Argentina Australia Austria Belarus Belgium Brazil Bulgaria Canada Chile China Colombia Croatia Czech Republic Denmark  
Estonia Finland France Germany Great Britain Greece Hong Kong Hungary India Indonesia Iran Ireland Israel Italy Japan  
Latvia Lithuania Malaysia Mexico Netherlands New Zealand Norway Peru Philippines Poland Romania Russia Serbia Singapore  
Slovakia Slovenia South Africa South Korea Spain Sweden Switzerland Taiwan Thailand Turkey Ukraine United States Venezuela

[www.festo.com](http://www.festo.com)