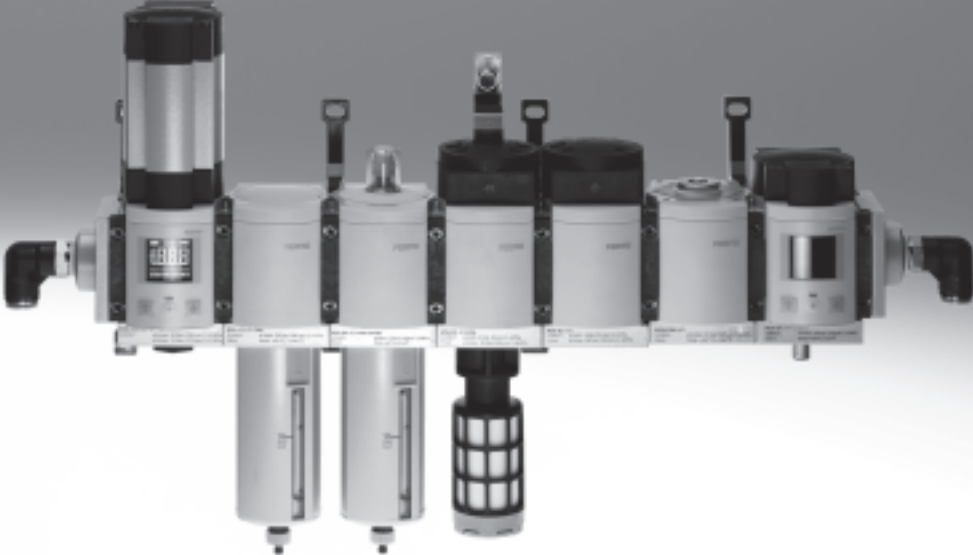
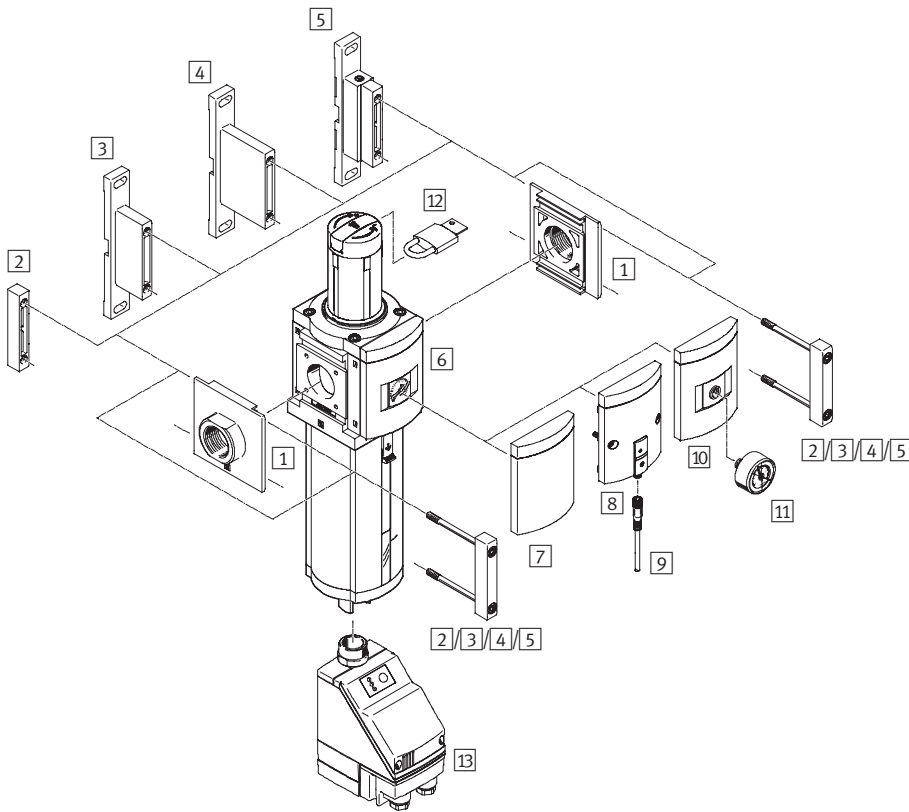


Filter regulators MS-LFR, MS series, NPT



Filter regulators MS9-LFR, MS series, NPT

Peripherals overview



**Note**  
Additional accessories:  
– Module connector for combinations with size MS6, MS9 or MS12 → Internet: rmv, armv

Mounting attachments and accessories		Individual unit		Combination	→ Page/Internet
		Without connecting thread	With connecting thread NPT $\frac{3}{4}$ -14 or NPT1-11 $\frac{1}{2}$		
1	Connecting plate MS9-AQ...	■	–	■	ms9-aq
2	Module connector MS9-MV	■	–	■	ms9-mv
3	Mounting bracket MS9-WP	■	■	■	ms9-wp
4	Mounting bracket MS9-WPB	■	■	■	ms9-wp
5	Mounting bracket MS9-WPM	■	–	■	ms9-wp
6	MS pressure gauge AG	■	■	■	12
7	Cover plate VS	■	■	■	12
8	Pressure sensor without display AD7 ... AD10	■	■	■	12
9	Connecting cable NEBU-M8...-LE3	■	■	■	15
10	Adapter plate for EN pressure gauge $\frac{1}{4}$ A4	■	■	■	12
11	Pressure gauge MA	■	■	■	15
12	Padlock LRVS-D	■	■	■	15
13	Condensate drain, fully automatic, electrically actuated E1/E2/E3/E4	■	■	■	12

## Filter regulators MS9-LFR, MS series, NPT

FESTO

Type codes

		MS	9	-	LFR	-	NG	-	D6	-	E	U	M	-	DI	-	AG	-	PSI	-	AS	
<b>Series</b>																						
MS	Standard service unit																					
<b>Size</b>																						
9	Grid dimension 90 mm																					
<b>Service function</b>																						
LFR	Filter regulator																					
<b>Connection size</b>																						
NG	Module without connecting thread, without connecting plate																					
<b>Pressure regulation range/operation mode</b>																						
D6	0.3 ... 7 bar, manually operated																					
D7	0.5 ... 12 bar, manually operated																					
<b>Grade of filtration</b>																						
C	5 µm																					
E	40 µm																					
<b>Bowl guard</b>																						
U	Integrated as metal bowl																					
<b>Condensate drain</b>																						
M	Manual rotary																					
V	Fully automatic																					
<b>Regulator type</b>																						
	Piloted																					
DI	Directly actuated (only with pressure regulation range D6)																					
<b>Pressure gauge</b>																						
AG	MS pressure gauge																					
<b>Pressure gauge scale</b>																						
PSI	Psi																					
<b>Security</b>																						
AS	Rotary knob with detent, can be locked using accessories																					

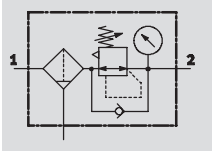
### Additional variants can be ordered using the modular system → 12

- Connecting plates
- Pressure regulation range
- Condensate drain
- Pressure gauge alternatives
- Alternative pressure gauge scale
- Secondary venting
- Security lock
- Type of mounting
- Alternative flow direction

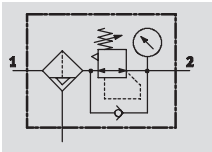
**Filter regulators MS9-LFR, MS series, NPT**

Technical data

Manual rotary condensate drain, with pressure gauge




Semi or fully automatic condensate drain, with pressure gauge



With this component, the filter and pressure regulator are combined into a single unit. The sintered filter with water separator removes contamination, pipe sinter, rust and condensate from the compressed air.

Flow rate  
3,600 ... 21,500 l/min

Temperature range  
-10 ... +60 °C

 Supply pressure  
0.8 ... 20 bar



- Good regulation characteristics with low hysteresis and primary pressure compensation
- Good particle and condensate separation
- Piloted or directly actuated filter-diaphragm regulator
- High flow rates
- Available with or without secondary venting
- Four pressure regulation ranges: 0.3 ... 4 bar, 0.3 ... 7 bar, 0.5 ... 12 bar and 0.5 ... 16 bar
- Actuator lock to protect set values against adjustment
- Pressure gauge connection for different fitting options
- Available with manual, semi-automatic, fully automatic or fully automatic, electrically actuated condensate drain
- Optional pressure sensor
- Choice of filter cartridges: 5 µm or 40 µm
- New filter cartridges → 14

General technical data					
Pneumatic connection 1, 2		NPT3/4-14	NPT1-11½	NPT½-14 ... NPT1½-11½ (with connecting plate AQ...)	– (without connecting thread NG)
Design		Piloted filter-diaphragm regulator			Directly actuated filter-diaphragm regulator
Regulator type	Piloted	Output pressure constant, with return flow action, with primary pressure compensation, with secondary venting			
	Directly actuated	Output pressure constant, with return flow action, with/without secondary venting			
Type of mounting		Via accessories			In-line installation
Mounting position		Vertical ±5°			
Grade of filtration	[µm]	5 (air quality class at the output 3.7.– to DIN ISO 8573-1)			
		40 (air quality class at the output 5.7.– to DIN ISO 8573-1)			
Bowl guard		Integrated as metal bowl			
Condensate drain		Manual rotary			
		Semi-automatic			
		Fully automatic			
		Fully automatic, electrically actuated			
Security		Rotary knob with detent			
		Rotary knob with detent, can be locked using accessories			
		Rotary knob with integrated lock			
Pressure regulation range/operation mode	D5 [bar]	0.3 ... 4, manually operated			
	D6 [bar]	0.3 ... 7, manually operated			
	D7 [bar]	0.5 ... 12, manually operated (0.5 ... 10 with pressure sensor variant AD...)			
	D8 [bar]	0.5 ... 16, manually operated (0.5 ... 10 with pressure sensor variant AD...)			
Max. pressure hysteresis	[bar]	0.3			
Pressure display		Via pressure sensor for displaying output pressure via operational status indicator and electrical output			
		Via pressure gauge for displaying output pressure			
		Via pressure gauge with red/green scale for displaying output pressure			
		G¼ prepared			
Max. condensate volume	[ml]	220			

## Filter regulators MS9-LFR, MS series, NPT

**FESTO**

Technical data

Standard nominal flow rate $q_{nN}^{1)}$ [l/min]			
Pneumatic connection	With connecting thread NPT $\frac{3}{4}$ -14		With connecting thread NPT1-1 $\frac{1}{2}$
	With connecting plate AQR, AQS		With connecting plate AQT, AQU, AQV
Directly actuated diaphragm regulator DI			
Pressure regulation range	D5	8,000 $\pm 15\%$ <sup>2)</sup>	13,000 $\pm 15\%$ <sup>2)</sup>
	D6	7,000 $\pm 15\%$	10,000 $\pm 15\%$

1) Measured at  $p_1 = 10$  bar and  $p_2 = 6$  bar,  $\Delta p = 1$  bar

2) Measured at  $p_1 = 10$  bar and  $p_2 = 4$  bar,  $\Delta p = 1$  bar

Operating and environmental conditions				
Condensate drain	Manual rotary M	Semi-automatic H	Fully automatic V	Fully automatic, electrically actuated E1 ... E4
Operating pressure [bar]	0.8 ... 20	1.5 ... 12	2 ... 12	0.8 ... 16
Operating medium	Air quality class 5:7:- to DIN ISO 8573-1			
Operating medium with pressure sensor AD	Filtered compressed air, lubricated or unlubricated, grade of filtration 40 $\mu$ m			
Ambient temperature [°C]	-10 ... +60	+5 ... +60	+5 ... +60	+1 ... +60
Ambient temperature with pressure sensor AD [°C]	0 ... +50	+5 ... +50	+5 ... +50	+1 ... +50
Temperature of medium [°C]	-10 ... +60	+5 ... +60	+5 ... +60	+1 ... +60
Temperature of medium with pressure sensor AD [°C]	0 ... +50	+5 ... +50	+5 ... +50	+1 ... +50
Storage temperature [°C]	-10 ... +60	+5 ... +60	+5 ... +60	+1 ... +60
Corrosion resistance class CRC <sup>1)</sup>	2			

1) Corrosion resistance class 2 according to Festo standard 940 070

Components subject to moderate corrosion stress. Externally visible parts with primarily decorative surface requirements which are in direct contact with a normal industrial environment or media such as coolants or lubricating agents.

Weight [g]		
Rotary knob	Without integrated lock E11	With integrated lock E11
Filter regulator with metal bowl U	2,400	2,700
Filter regulator with metal bowl U and fully automatic condensate drain, electrically actuated E1 ... E4	2,800	3,100

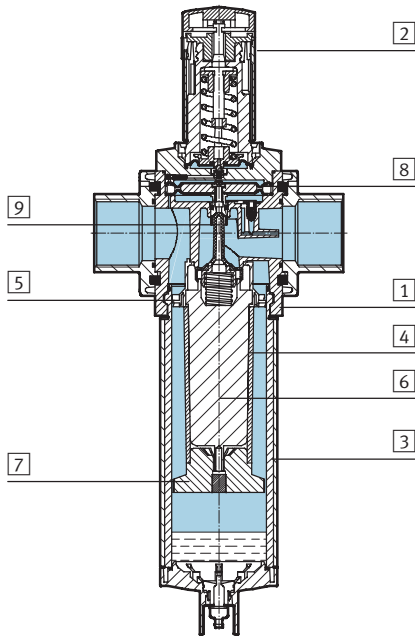
## Filter regulators MS9-LFR, MS series, NPT

Technical data

**FESTO**

### Materials

Sectional view



Filter regulator		
1	Housing	Die-cast aluminium
2	Rotary knob	PA
	Rotary knob with integrated lock E11	Aluminium
3	Bowl	Wrought aluminium alloy
	Inspection window	PA
4	Filter element	PE
5	Spin disc	POM
6	Filter holder	POM
7	Separating plate	POM
8	Diaphragm	NBR
9	Valve stem	Wrought aluminium alloy, NBR, POM
-	Cover	PA reinforced
-	Connecting plate, module connector, mounting bracket	Die-cast aluminium
-	Seals	NBR
Note on materials		RoHS-compliant (not with variant E1, E2, E3 or E4)

## Filter regulators MS9-LFR, MS series, NPT

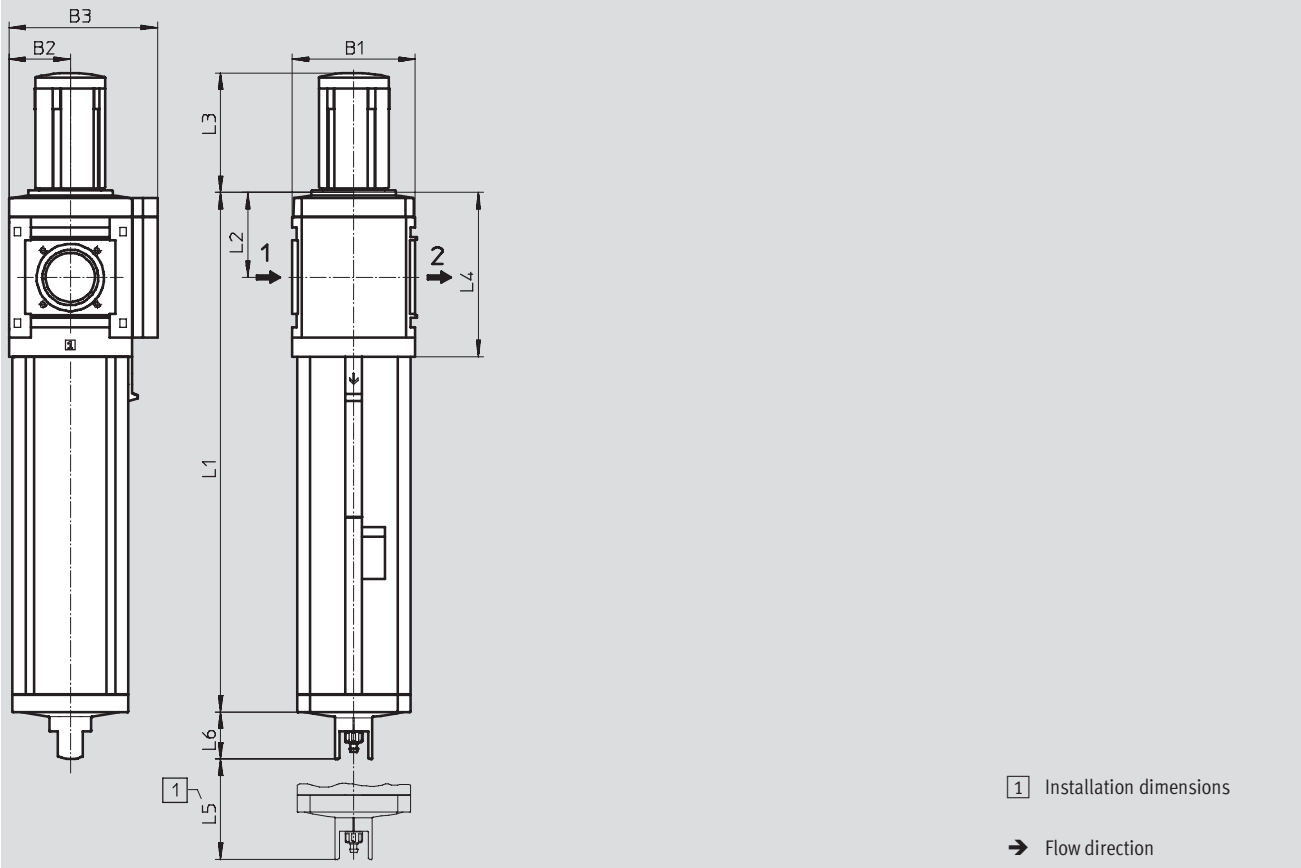
Technical data

**FESTO**

### Dimensions – Basic version

Download CAD Data → [www.festo.com/us/cad](http://www.festo.com/us/cad)

Without connecting thread NG, rotary knob with detent



Type	B1	B2	B3	L1	L2	L3	L4	L5	L6
MS9-LFR-NG	90	45	109	313	62	86	120	150	34.5

**Filter regulators MS9-LFR, MS series, NPT**

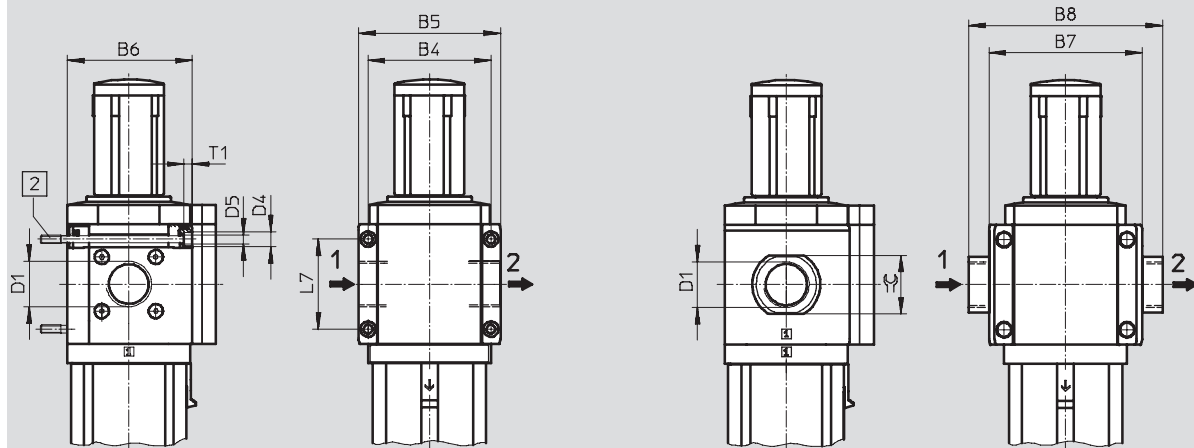
Technical data

**Dimensions – Connecting thread/connecting plate**

Download CAD Data → [www.festo.com/us/cad](http://www.festo.com/us/cad)

With connecting thread N $\frac{3}{4}$  or N1

With connecting plate AQ...



2 Mounting screw M6xmin.90 to DIN 912 (not included in the scope of delivery) for wall mounting without mounting bracket

→ Flow direction

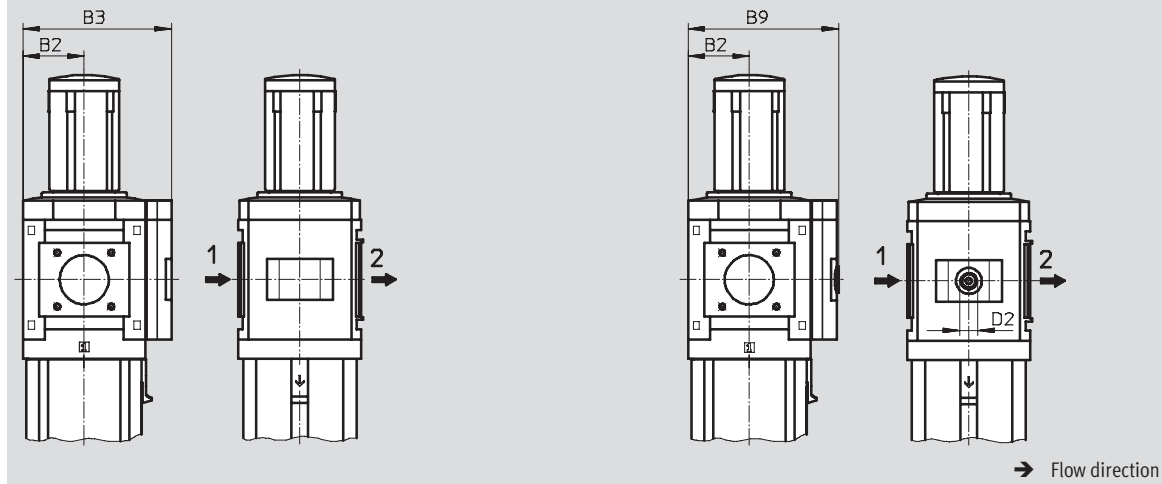
Type	B4	B5	B6	B7	B8	D1	D4	D5	L7	T1	⊕
MS9-LFR-N $\frac{3}{4}$	90	104	91.5	-	-	NPT $\frac{3}{4}$ -14	11	6.5	66	6	-
MS9-LFR-N1						NPT1-11 $\frac{1}{2}$					
MS9-LFR-AQR	-	-	-	112	132	NPT $\frac{1}{2}$ -14	-	-	-	-	30
MS9-LFR-AQS					132	NPT $\frac{3}{4}$ -14					36
MS9-LFR-AQT					142	NPT1-11 $\frac{1}{2}$					41
MS9-LFR-AQU					162	NPT1 $\frac{1}{4}$ -11 $\frac{1}{2}$					50
MS9-LFR-AQV					176	NPT1 $\frac{1}{2}$ -11 $\frac{1}{2}$					55

**Dimensions – Pressure gauge alternatives**

Download CAD Data → [www.festo.com/us/cad](http://www.festo.com/us/cad)

Integrated MS pressure gauge with standard scale AG or red/green scale RG

Adapter plate A4 for EN pressure gauge  $\frac{1}{4}$ , without pressure gauge



Type	B2	B3	B9	D2
MS9-LFR-...-AG/RG	45	109	-	-
MS9-LFR-...-A4		-	110	G $\frac{1}{4}$



## Filter regulators MS9-LFR, MS series, NPT

Technical data

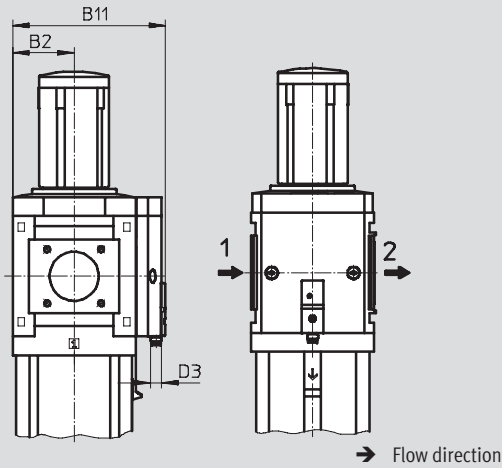
FESTO

### Dimensions – Pressure gauge alternatives

Download CAD Data → [www.festo.com/us/cad](http://www.festo.com/us/cad)

Pressure sensor without LCD display (operational status indicator only) AD7 ... AD10

Technical data → Internet: sde5



Variant AD7:  
SDE5-D10-O-...-P-M8 with  
3-pin plug M8x1, threshold  
value comparator,  
1 switching output PNP, N/O  
contact

Variant AD9:  
SDE5-D10-O3-...-P-M8 with  
3-pin plug M8x1, window  
comparator, 1 switching  
output PNP, N/O contact

Variant AD8:  
SDE5-D10-C-...-P-M8 with  
3-pin plug M8x1, threshold  
value comparator,  
1 switching output PNP, N/C  
contact

Variant AD10:  
SDE5-D10-C3-...-P-M8 with  
3-pin plug M8x1, window  
comparator, 1 switching  
output PNP, N/C contact

Type	B2	B11	D3
MS9-LFR-...-AD7/AD8/AD9/AD10	45	112	M8

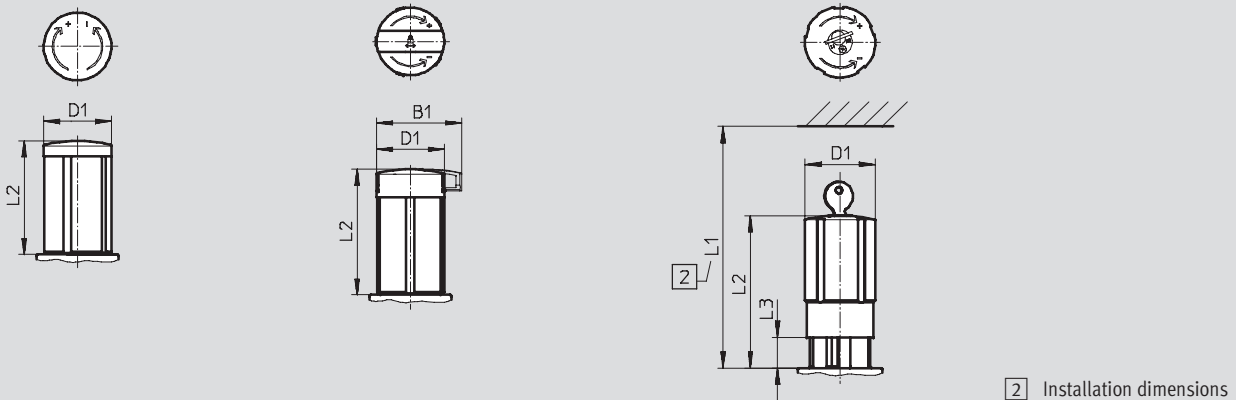
### Dimensions – Rotary knob

Download CAD Data → [www.festo.com/us/cad](http://www.festo.com/us/cad)

Rotary knob with detent

Rotary knob with detent, can be  
locked using accessories AS

Rotary knob with integrated lock  
E11



Type	B1	D1	L1	L2	L3
MS9-LFR	-	52	-	86	-
MS9-LFR-...-AS	65	52	-	96	-
MS9-LFR-...-E11	-	52	174	114	25

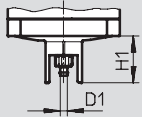
**Filter regulators MS9-LFR, MS series, NPT**

Technical data

**Dimensions – Condensate drain**

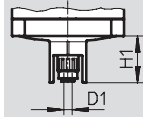
Download CAD Data → [www.festo.com/us/cad](http://www.festo.com/us/cad)

Manual rotary M/fully automatic V



Barbed connector for plastic tubing PCN-4

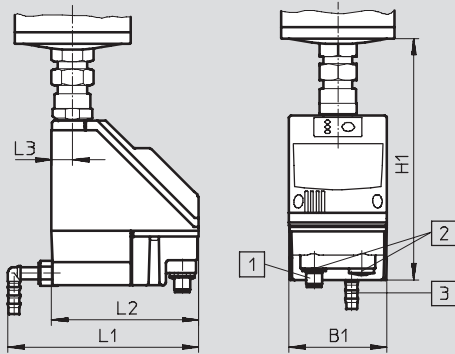
Semi-automatic H



QS connector for plastic tubing PUN-6/PAN-6

Fully automatic, electrically actuated E1/E2/E3/E4

Technical data → Internet: [pwea](http://pwea)



- 1 Variant E1:  
Condensate drain PWEA-AP with plug M12x1, 5-pin for NEBU-M12...-LE5
- 2 Variant E2/E3/E4:  
Condensate drain PWEA-AC with cable connector Pg9

- 3 Connection 360° rotatable for plastic tubing PUN-H-12x2

Type	B1	D1	H1	L1	L2	L3
MS9-LFR-...M/V	-	5	34.5	-	-	-
MS9-LFR-...H		6				
MS9-LFR-...E1/E2/E3/E4	72	-	178	140	108	15

## Filter regulators MS9-LFR, MS series, NPT

**FESTO**

Technical data

Ordering data						
Pressure regulation range 0.3 ... 7 bar, integrated pressure gauge, display unit [psi], rotary knob with detent, can be locked using accessories						
Size	Condensate drain	Connection	Grade of filtration 5 µm		Grade of filtration 40 µm	
			Part No.	Type	Part No.	Type
<b>Piloted filter-diaphragm regulator</b>						
MS9	Manual rotary	–	564126	MS9-LFR-NG-D6-CUM-AGPSIAS	564122	MS9-LFR-NG-D6-EUM-AGPSIAS
	Fully automatic	–	564127	MS9-LFR-NG-D6-CUV-AGPSIAS	564123	MS9-LFR-NG-D6-EUV-AGPSIAS
<b>Directly actuated filter-diaphragm regulator</b>						
MS9	Manual rotary	–	564128	MS9-LFR-NG-D6CUMDIAGPSIAS	564124	MS9-LFR-NG-D6EUMDIAGPSIAS
	Fully automatic	–	564129	MS9-LFR-NG-D6CUVDIAGPSIAS	564125	MS9-LFR-NG-D6EUVDIAGPSIAS

Ordering data						
Pressure regulation range 0.5 ... 12 bar, integrated pressure gauge, display unit [psi], rotary knob with detent, can be locked using accessories						
Size	Condensate drain	Connection	Grade of filtration 5 µm		Grade of filtration 40 µm	
			Part No.	Type	Part No.	Type
<b>Piloted filter-diaphragm regulator</b>						
MS9	Manual rotary	–	564132	MS9-LFR-NG-D7-CUM-AGPSIAS	564130	MS9-LFR-NG-D7-EUM-AGPSIAS
	Fully automatic	–	564133	MS9-LFR-NG-D7-CUV-AGPSIAS	564131	MS9-LFR-NG-D7-EUV-AGPSIAS

**Filter regulators MS9-LFR, MS series, NPT**

Ordering data – Modular products

M Mandatory data →								
Module No.	Series	Size	Function	Connection size	Pressure range/operation mode	Grade of filtration	Bowl	Condensate drain
562531	MS	9	LFR	N $\frac{3}{4}$ , N1, AQR, AQS, AQT, AQU, AQV, NG	D5, D6, D7, D8	E, C	U	M, H, V, E1 ... E4
<b>Ordering example</b>								
<b>562531</b>	<b>MS</b>	<b>9</b>	<b>- LFR</b>	<b>- NG</b>	<b>- D5</b>	<b>- E</b>	<b>- U</b>	<b>- M</b>

Ordering table		Grid dimension	[mm]	90	Conditions	Code	Enter code	
M	Module No.	562531						
	Series	Standard				MS	MS	
	Size	9				9	9	
	Function	Filter regulator				-LFR	-LFR	
	Connection size	Thread N $\frac{3}{4}$				-N $\frac{3}{4}$		
		Thread N1				-N1		
		Connecting plate N $\frac{1}{2}$				-AQR		
		Connecting plate N $\frac{3}{4}$				-AQS		
		Connecting plate N1				-AQT		
		Connecting plate N1 $\frac{1}{4}$				-AQU		
		Connecting plate N1 $\frac{1}{2}$				-AQV		
		Module without connecting thread, without connecting plate				-NG		
	Pressure range/operation mode	0.3 ... 4 bar, manually operated				-D5		
		0.3 ... 7 bar, manually operated				-D6		
		0.5 ... 12 bar, manually operated				-D7		
		0.5 ... 16 bar, manually operated				-D8		
	Grade of filtration	40 $\mu$ m				-E		
		5 $\mu$ m				-C		
	Bowl	Metal bowl				-U	-U	
	Condensate drain	Manual				-M		
		Semi-automatic (P1 max. 12 bar)				-H		
		Fully automatic (P1 max. 12 bar)				-V		
		External, fully automatic, electric	24 V DC, M12 (P1 max. 16 bar)				-E1	
			110 V AC, terminals (P1 max. 16 bar)				-E2	
			230 V AC, terminals (P1 max. 16 bar)				-E3	
			24 V DC, terminals (P1 max. 16 bar)				-E4	

**Transfer order code**

562531	MS	9	-	LFR	-		-		-		-	U	-	
--------	----	---	---	-----	---	--	---	--	---	--	---	---	---	--

## Filter regulators MS9-LFR, MS series, NPT

FESTO

Ordering data – Modular products

Options		Mandatory data		Options		
Regulator type	Pressure gauge/pressure gauge alternatives	Alternative pressure gauge scale	Secondary venting	Security	Type of mounting	Alternative flow direction
DI	AG, VS, A4, RG, AD7 ... AD10	PSI, MPA, BAR	OS	AS, E11	WP, WPM, WPB	Z
- DI	- AG	- BAR	- OS	- AS		

Ordering table					
Grid dimension	[mm]	90	Condition s	Code	Enter code
Options	Regulator type	Directly actuated	1	-DI	
Mandatory	Pressure gauge/pressure gauge alternatives	MS pressure gauge		-AG	
		Cover plate		-VS	
		Adapter plate for EN pressure gauge 1/4, without pressure gauge		-A4	
		Integrated pressure gauge, red/green scale	2	-RG	
		Pressure sensor without display, plug M8, threshold value comparator, PNP, N/O contact	3	-AD7	
		Pressure sensor without display, plug M8, threshold value comparator, PNP, N/C contact	3	-AD8	
		Pressure sensor without display, plug M8, window comparator, PNP, N/O contact	3	-AD9	
		Pressure sensor without display, plug M8, window comparator, PNP, N/C contact	3	-AD10	
		Alternative pressure gauge scale	Psi	4	-PSI
MPa	4		-MPA		
Bar	4		-BAR		
Options	Secondary venting	Without secondary venting	5	-OS	
Security	Can be locked using accessories			-AS	
	With integrated lock			-E11	
Type of mounting	Mounting bracket	6	-WP		
	Mounting bracket	6	-WPM		
	Mounting bracket for large wall gap	6	-WPB		
Alternative flow direction	Flow direction from right to left			-Z	

- |                 |  |                |                             |
|-----------------|--|----------------|-----------------------------|
| 1 DI            | Not with pressure range D7, D8   | 5 OS           | Only with regulator type DI |
| 2 RG            | Not with alternative pressure gauge scale PSI<br>PSI scale serves only as an auxiliary scale | 6 WP, WPM, WPB | Not with module NG          |
| 3 AD7 ... AD10  | Measuring range max. 10 bar  |                |                             |
| 4 PSI, MPA, BAR | Not with pressure gauge alternatives VS, A4, AD7, AD8, AD9, AD10                             |                |                             |

Transfer order code

- [ ] - [ ] - [ ] - [ ] - [ ] - [ ] - [ ]



# Filter regulators MS-LFR, MS series, NPT

Accessories

FESTO

## Filter cartridges







Ordering data			
Size	Grade of filtration [µm]	Part No.	Type
MS4	5 (colour: blue)	534501	MS4-LFP-C
	40 (colour: white)	534502	MS4-LFP-E
MS6	5 (colour: blue)	534499	MS6-LFP-C
	40 (colour: white)	534500	MS6-LFP-E
MS9	5	570309	MS9-LFP-C 
	40	570310	MS9-LFP-E 
MS12	5	537143	MS12-LFP-C
	40	537144	MS12-LFP-E


## Filter regulators MS-LFR, MS series, NPT

Accessories

**FESTO**

Ordering data – Connecting cable NEBU-M8				Technical data → Internet: nebu	
	Electrical connection	Number of wires	Cable length [m]	Part No.	Type
	M8x1, straight socket	3	2.5	541333	NEBU-M8G3-K-2.5-LE3
			5	541334	NEBU-M8G3-K-5-LE3
	M8x1, angled socket	3	2.5	541338	NEBU-M8W3-K-2.5-LE3
			5	541341	NEBU-M8W3-K-5-LE3

Ordering data – Connecting cable NEBU-M12				Technical data → Internet: nebu	
	Electrical connection	Number of wires	Cable length [m]	Part No.	Type
	M12x1, straight socket	4	2.5	550326	NEBU-M12G5-K-2.5-LE4
			5	541328	NEBU-M12G5-K-5-LE4
	M12x1, angled socket	4	2.5	550325	NEBU-M12W5-K-2.5-LE4
			5	541329	NEBU-M12W5-K-5-LE4

Ordering data – Pressure gauge MA						
	Nominal size	Pneumatic connection	Indicating range		Part No.	Type
			[bar]	[psi]		
	Pressure gauge MA, DIN EN 837-1				Technical data → Internet: ma	
	40	G $\frac{1}{4}$	0 ... 16	0 ... 232	183901	MA-40-16-G $\frac{1}{4}$ -EN
	Pressure gauge MA, DIN EN 837-1, with red-green range				Technical data → Internet: ma	
40	R $\frac{1}{8}$	0 ... 16	–	525726	MA-40-16-R $\frac{1}{8}$ -E-RG	
50	R $\frac{1}{4}$	0 ... 16	–	525729	MA-50-16-R $\frac{1}{4}$ -E-RG	

Ordering data – Padlock LRVS-D		
	Weight [g]	Part No. Type
	120	193786 LRVS-D

# Product Range and Company Overview

## A Complete Suite of Automation Services

Our experienced engineers provide complete support at every stage of your development process, including: conceptualization, analysis, engineering, design, assembly, documentation, validation, and production.



**Custom Automation Components**  
Complete custom engineered solutions



**Custom Control Cabinets**  
Comprehensive engineering support and on-site services



**Complete Systems**  
Shipment, stocking and storage services

## The Broadest Range of Automation Components

With a comprehensive line of more than 30,000 automation components, Festo is capable of solving the most complex automation requirements.



**Electromechanical**  
Electromechanical actuators, motors, controllers & drives



**Pneumatics**  
Pneumatic linear and rotary actuators, valves, and air supply



**PLCs and I/O Devices**  
PLC's, operator interfaces, sensors and I/O devices

## Supporting Advanced Automation... As No One Else Can!

Festo is a leading global manufacturer of pneumatic and electromechanical systems, components and controls for industrial automation, with more than 12,000 employees in 56 national headquarters serving more than 180 countries. For more than 80 years, Festo has continuously elevated the state of manufacturing with innovations and optimized motion control solutions that deliver higher performing, more profitable automated manufacturing and processing equipment. Our dedication to the advancement of automation extends beyond technology to the education and development of current and future automation and robotics designers with simulation tools, teaching programs, and on-site services.

## Quality Assurance, ISO 9001 and ISO 14001 Certifications

Festo Corporation is committed to supply all Festo products and services that will meet or exceed our customers' requirements in product quality, delivery, customer service and satisfaction.

To meet this commitment, we strive to ensure a consistent, integrated, and systematic approach to management that will meet or exceed the requirements of the ISO 9001 standard for Quality Management and the ISO 14001 standard for Environmental Management.



© Copyright 2008, Festo Corporation. While every effort is made to ensure that all dimensions and specifications are correct, Festo cannot guarantee that publications are completely free of any error, in particular typing or printing errors. Accordingly, Festo cannot be held responsible for the same. For Liability and Warranty conditions, refer to our "Terms and Conditions of Sale", available from your local Festo office. All rights reserved. No part of this publication may be reproduced, distributed, or transmitted in any form or by any means, electronic, mechanical, photocopying or otherwise, without the prior written permission of Festo. All technical data subject to change according to technical update.



Printed on recycled paper at New Horizon Graphic, Inc., FSC certified as an environmentally friendly printing plant.



# Festo North America

## Festo Regional Contact Center

5300 Explorer Drive  
Mississauga, Ontario L4W 5G4  
Canada

### USA Customers:

For ordering assistance,

**Call:** 1.800.99.FESTO (1.800.993.3786)

**Fax:** 1.800.96.FESTO (1.800.963.3786)

**Email:** [customer.service@us.festo.com](mailto:customer.service@us.festo.com)

For technical support,

**Call:** 1.866.GO.FESTO (1.866.463.3786)

**Fax:** 1.800.96.FESTO (1.800.963.3786)

**Email:** [product.support@us.festo.com](mailto:product.support@us.festo.com)

### Canadian Customers:

**Call:** 1.877.GO.FESTO (1.877.463.3786)

**Fax:** 1.877.FX.FESTO (1.877.393.3786)

**Email:** [festo.canada@ca.festo.com](mailto:festo.canada@ca.festo.com)

---

## USA Headquarters

Festo Corporation  
395 Moreland Road  
P.O. Box 18023  
Hauppauge, NY 11788, USA  
[www.festo.com/us](http://www.festo.com/us)

---

## USA Sales Offices

### Appleton

North 922 Tower View Drive, Suite N  
Greenville, WI 54942, USA

### Boston

120 Presidential Way, Suite 330  
Woburn, MA 01801, USA

### Chicago

1441 East Business Center Drive  
Mt. Prospect, IL 60056, USA

### Dallas

1825 Lakeway Drive, Suite 600  
Lewisville, TX 75057, USA

### Detroit – Automotive Engineering Center

2601 Cambridge Court, Suite 320  
Auburn Hills, MI 48326, USA

### New York

395 Moreland Road  
Hauppauge, NY 11788, USA

### Silicon Valley

4935 Southfront Road, Suite F  
Livermore, CA 94550, USA

## United States



**USA Headquarters, East:** Festo Corp., 395 Moreland Road, Hauppauge, NY 11788

Phone: 1.631.435.0800; Fax: 1.631.435.8026;

Email: [info@festo-usa.com](mailto:info@festo-usa.com)

[www.festo.com/us](http://www.festo.com/us)

## Canada



**Headquarters:** Festo Inc., 5300 Explorer Drive, Mississauga, Ontario L4W 5G4

Phone: 1.905.624.9000; Fax: 1.905.624.9001;

Email: [festo.canada@ca.festo.com](mailto:festo.canada@ca.festo.com)

[www.festo.ca](http://www.festo.ca)

## Mexico



**Headquarters:** Festo Pneumatic, S.A., Av. Ceylán 3, Col. Tequesquahuac,  
54020 Tlalneantla, Edo. de México

Phone: 011 52 [55] 53 21 66 00; Fax: 011 52 [55] 53 21 66 65;

Email: [festo.mexico@mx.festo.com](mailto:festo.mexico@mx.festo.com)

[www.festo.com/mx](http://www.festo.com/mx)

---

## Central USA

Festo Corporation  
1441 East Business  
Center Drive  
Mt. Prospect, IL 60056, USA  
Phone: 1.847.759.2600  
Fax: 1.847.768.9480



## Western USA

Festo Corporation  
4935 Southfront Road,  
Suite F  
Livermore, CA 94550, USA  
Phone: 1.925.371.1099  
Fax: 1.925.245.1286



---

## Festo Worldwide

Argentina Australia Austria Belarus Belgium Brazil Bulgaria Canada Chile China Colombia Croatia Czech Republic Denmark  
Estonia Finland France Germany Great Britain Greece Hong Kong Hungary India Indonesia Iran Ireland Israel Italy Japan Latvia  
Lithuania Malaysia Mexico Netherlands New Zealand Norway Peru Philippines Poland Romania Russia Serbia Singapore  
Slovakia Slovenia South Africa South Korea Spain Sweden Switzerland Taiwan Thailand Turkey Ukraine United States Venezuela

[www.festo.com](http://www.festo.com)