

Pressure and differential pressure regulators



Pressure and differential pressure regulators

Features

FESTO



LRMA ...-QS

LR ...-QS

LRL ...-QS

LRLQ ...-QS

Pressure regulators LR, LRMA

Flow rate
22 ... 127 l/min

- With threaded and push-in connector
- Screw-in thread M5, R $\frac{1}{8}$, R $\frac{1}{4}$
- Push-in connector for tubing O.D. 4 ... 8 mm
- Push-in connector, can be rotated 360°

The pressure regulator maintains an essentially constant output pressure on the secondary side independent of pressure fluctuations on the primary side and air consumption.

The primary pressure at the screw-in thread is reduced when air is exhausted from the QS push-in connector.

Differential pressure regulators LRL, LRLQ

Flow rate
30 ... 760 l/min

- With threaded and push-in connector
- Screw-in thread M5, R $\frac{1}{8}$, R $\frac{1}{4}$, R $\frac{3}{8}$, R $\frac{1}{2}$
- Push-in connector for tubing O.D. 4 ... 12 mm
- Push-in connector, can be rotated 360°

The differential pressure regulator maintains a manually adjusted differential pressure between the primary pressure at the screw-in thread and the output pressure at the QS push-in connector.

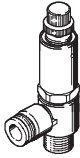
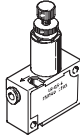
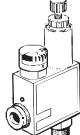
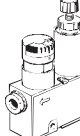
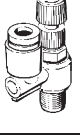

Pressure applied at the QS push-in connector can be exhausted with no change in pressure at the thread connection end thanks to an integrated non-return valve.

Note

The differential pressure regulator has no exhaust, i.e. increasing secondary pressure cannot be reduced.

Pressure and differential pressure regulators

Product range overview

Function	Design	Type	Pneumatic connection					→ Page/Internet	
			Thread	For tubing O.D. [mm]					
				4	6	8	10		12
Pressure regulating valve without pressure gauge	With QS push-in connector and screw-in thread								
		LR-...-QS-...	M5	■	■	-	-	-	5
			R1/8	■	■	■	-	-	
			R1/4	-	■	■	-	-	
	With QS push-in connector at both ends								
		LR-QS-...	-	■	■	■	-	-	5
Pressure regulator with pressure gauge	With QS push-in connector and screw-in thread								
		LRMA-...-QS-...	M5	■	■	-	-	-	9
			R1/8	■	■	■	-	-	
			R1/4	-	■	■	-	-	
	With QS push-in connector at both ends								
		LRMA-QS-...	-	■	■	■	-	-	9
Differential pressure regulator without pressure gauge	With QS push-in connector at top and screw-in thread								
		LRL-...-QS-...	M5	■	■	-	-	-	12
			R1/8	■	■	■	-	-	
			R1/4	-	■	■	■	-	
			R3/8	-	-	■	■	■	
			R1/2	-	-	-	-	■	
	With QS push-in connector on side and screw-in thread								
		LRL-...-QS-...	M5	■	■	-	-	-	12
			R1/8	■	■	■	-	-	
			R1/4	-	■	■	■	-	
R3/8			-	-	■	■	■		
R1/2			-	-	-	-	■		

1) Tubing → www.festo.com

Pressure and differential pressure regulators

Type codes

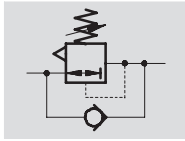
LRL - 3/8 - QS-8

Type	
Pressure regulator	
LR	Without pressure gauge
LRMA	With pressure gauge
Differential pressure regulator	
LRL	Outlet on top
LRL	Outlet on the side
Screw-in thread	
M5	Metric thread M5
1/8	Pipe thread R1/8
1/4	Pipe thread R1/4
3/8	Pipe thread R3/8
1/2	Pipe thread R1/2
Tubing connection	
Type of connection	
QS	Push-in connector for standard O.D. tubing
For tubing O.D.	
4	4 mm
6	6 mm
8	8 mm
10	10 mm
12	12 mm

Pressure regulators LR

Technical data

Function



- Minimal dimensions
- Constant output pressure
- Version without pressure gauge
- Screw-in thread M5 ... R $\frac{1}{4}$ or push-in connector \varnothing 4 ... 8 mm

Flow rate

22 ... 127 l/min



General technical data		
Design	Directly actuated piston regulator with through pressure supply	
Regulating function	With secondary venting, output pressure constant	
Actuator lock	Knurled screw with lock nut	
Mounting position	Any	
With QS push-in connector and metric thread with sealing ring		
Type of mounting	Can be screwed in	
Materials	Housing	Polybutylene terephthalate
	Threaded plug	Nickel plated brass
With QS push-in connector and PTFE-coated pipe thread		
Type of mounting	Can be screwed in	
Materials	Housing	Polybutylene terephthalate
	Threaded plug	Nickel plated brass
	Threaded seal	Polytetrafluoroethylene
With QS push-in connector at both ends		
Type of mounting	Via through-holes	
Materials	Housing	Polybutylene terephthalate

Operating and environmental conditions		
Operating medium	Filtered compressed air, lubricated or unlubricated	
Input pressure	[bar]	0 ... 9
Pressure regulation range	[bar]	1 ... 8
Ambient temperature	[°C]	0 ... 60

Pressure regulators LR

Technical data

FESTO

Weights [g]			
Screw-in thread	M5	R $\frac{1}{8}$	R $\frac{1}{4}$
With QS push-in connector and metric thread with sealing ring			
QS-4	16	–	–
QS-6	16	–	–
With QS push-in connector and PTFE-coated pipe thread			
QS-4	–	32.5	–
QS-6	–	33.5	54
QS-8	–	35	55

Weights [g]	
With QS push-in connector at both ends	
QS-4	33
QS-6	33
QS-8	56

Standard nominal flow rate [l/min]			
Screw-in thread	M5	R $\frac{1}{8}$	R $\frac{1}{4}$
With QS push-in connector and metric thread with sealing ring			
QS-4	22	–	–
QS-6	41	–	–
With QS push-in connector and PTFE-coated pipe thread			
QS-4	–	46	–
QS-6	–	63	98
QS-8	–	69	101

Standard nominal flow rate [l/min]	
With QS push-in connector at both ends	
QS-4	67
QS-6	70
QS-8	127

Pressure regulators LR

Technical data

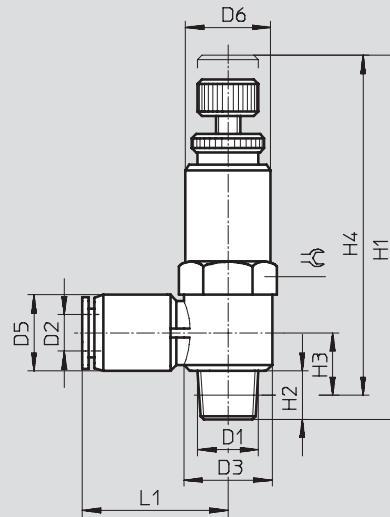
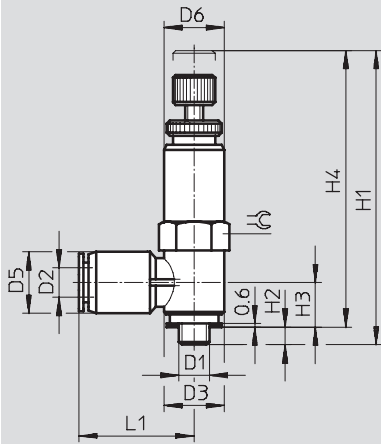
FESTO

Dimensions

Download CAD Data → www.festo.com/us/cad

With QS push-in connector and screw-in thread M5

With QS push-in connector and screw-in thread R $\frac{1}{8}$, R $\frac{1}{4}$



Screw-in thread D1	D2 Ø	D3 Ø	D5 Ø	D6 Ø	H1		H2	H3	H4		L1	☞
					min.	max.			min.	max.		
M5	4	9.8	8	10	44.6	48.75	2.9	7.6	41.7	45.8	16	10
	6	9.8	10.5	10	44.6	48.7	2.9	8.4	41.7	45.8	17.8	10
R $\frac{1}{8}$	4	14.4	10	14	56	60	7.8	10.5	52	56	21.4	14
	6	14.4	12.4	14	56	60	7.8	10.7	52	56	23.5	14
	8	14.4	14.4	14	56	60	7.8	11.7	52	56	26.9	14
R $\frac{1}{4}$	6	18.4	12.4	17	60.8	64.8	11.3	12.2	54.8	58.8	25.5	17
	8	18.4	14.4	17	60.8	64.8	11.3	13.2	54.8	58.8	28.4	17

Pressure regulators LR

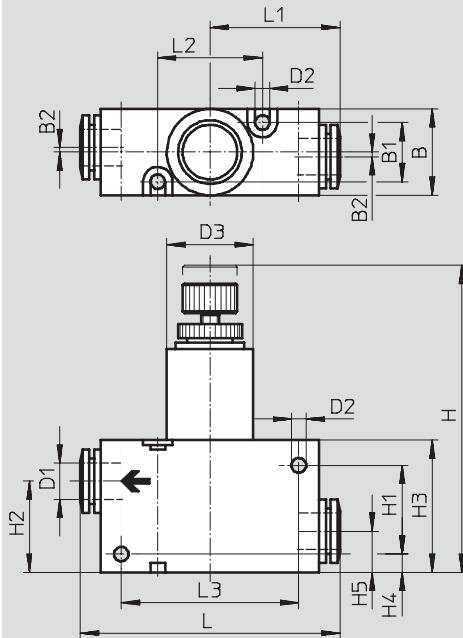
Technical data

FESTO

Dimensions

Download CAD Data → www.festo.com/us/cad

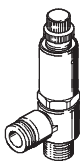
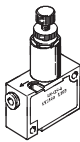
With QS push-in connector at both ends



← = Flow direction

Push-in connector	B	B1	B2	D1 Ø	D2 Ø	D3 Ø	H		H1	H2	H3	H4	H5	L	L1	L2	L3
							min.	max.									
QS-4	15	9	1	4	3.2	15	59	63	17	19	25	4	9	44	22	20	30
QS-6				6			63.5	67.5						45	22.5		
QS-8	19	13	1	8	3.2	19	63.5	67.5	21	21	29	4	9	57	28.5	23	39

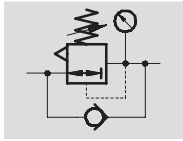
Ordering data

	Description	Screw-in thread	For tubing O.D. [mm]	Part No.	Type
	With QS push-in connector and metric thread with sealing ring	M5	4	153 532	LR-M5-QS-4
			6	153 533	LR-M5-QS-6
	With QS push-in connector and PTFE-coated pipe thread	R1/8	4	153 534	LR-1/8-QS-4
			6	153 535	LR-1/8-QS-6
			8	153 536	LR-1/8-QS-8
			R1/4	6	153 537
8	153 538	LR-1/4-QS-8			
	With QS push-in connector at both ends	-	4	153 540	LR-QS-4
			6	153 541	LR-QS-6
			8	153 542	LR-QS-8

Pressure regulators LRMA, with pressure gauge

Technical data

Function



- Minimal dimensions
- Constant output pressure
- Version with pressure gauge
- Screw-in thread M5 ... R $\frac{1}{4}$ or push-in connector \varnothing 4 ... 8 mm

Flow rate

36 ... 124 l/min



General technical data	
Design	Directly actuated piston regulator with through pressure supply
Regulating function	With secondary venting, output pressure constant
Actuator lock	Knurled screw with lock nut
Mounting position	Any
With QS push-in connector and metric thread with sealing ring	
Type of mounting	Can be screwed in
Materials	Housing: Polybutylene terephthalate Threaded plug: Nickel plated brass
With QS push-in connector and PTFE-coated pipe thread	
Type of mounting	Can be screwed in
Materials	Housing: Polybutylene terephthalate Threaded plug: Nickel plated brass Threaded seal: Polytetrafluoroethylene
With QS push-in connector at both ends	
Type of mounting	Via through-holes
Materials	Housing: Polybutylene terephthalate

Operating and environmental conditions	
Operating medium	Filtered compressed air, lubricated or unlubricated
Input pressure [bar]	0 ... 9
Pressure regulation range [bar]	1 ... 8
Ambient temperature [°C]	0 ... 60

Weights [g]			
Screw-in thread	M5	R $\frac{1}{8}$	R $\frac{1}{4}$
With QS push-in connector and metric thread with sealing ring			
QS-4	28	–	–
QS-6	28	–	–
With QS push-in connector and PTFE-coated pipe thread			
QS-4	–	54.5	–
QS-6	–	54.5	55
QS-8	–	83.5	83.5

Weights [g]	
With QS push-in connector at both ends	
QS-4	45
QS-6	45
QS-8	68

Pressure regulators LRMA, with pressure gauge

Technical data

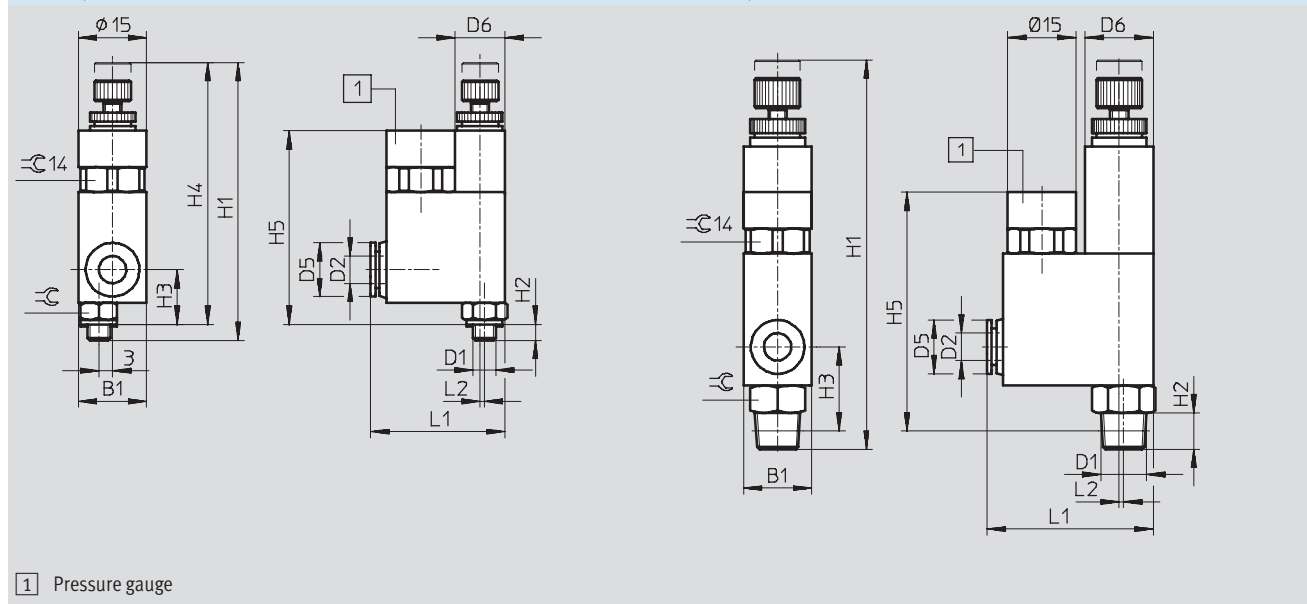
Standard nominal flow rate [l/min]			
Screw-in thread	M5	R1/8	R1/4
With QS push-in connector and metric thread with sealing ring			
QS-4	36	-	-
QS-6	42	-	-
With QS push-in connector and PTFE-coated pipe thread			
QS-4	-	60	-
QS-6	-	75	96
QS-8	-	87	97

Standard nominal flow rate [l/min]	
With QS push-in connector at both ends	
QS-4	50
QS-6	76
QS-8	124

Dimensions Download CAD Data → www.festo.com/us/cad

With QS push-in connector and screw-in thread M5

With QS push-in connector and screw-in thread R1/8, R1/4



Screw-in thread D1	D2 Ø	B1	D5 Ø	D6 Ø	H1		H2	H3	H4		H5	L1	L2	☉
					min.	max.			min.	max.				
M5	4	15.1	9.8	11	57.1	61.2	3.5	11.8	53.6	57.7	42.8	28	1.1	8
	6	15.1	11.8	11	57.1	61.2	3.5	11.8	53.6	57.7	42.8	28.1	1.1	8
R1/8	4	15.1	10	15	77.5	81.5	8	18.5	-	-	51.5	36	0.5	12
	6	15.1	12	15	77.5	81.5	8	18.5	-	-	51.5	36.5	0.5	12
	8	15	14	15	77.5	81.5	8	18.5	-	-	51.5	36.5	1	12
R1/4	6	19	12	19	85.5	89.5	11	22.5	-	-	57	39.5	0.5	16
	8	19	14	19	85.5	89.5	11	22.5	-	-	57	39.5	1	16

Pressure regulators LRMA, with pressure gauge

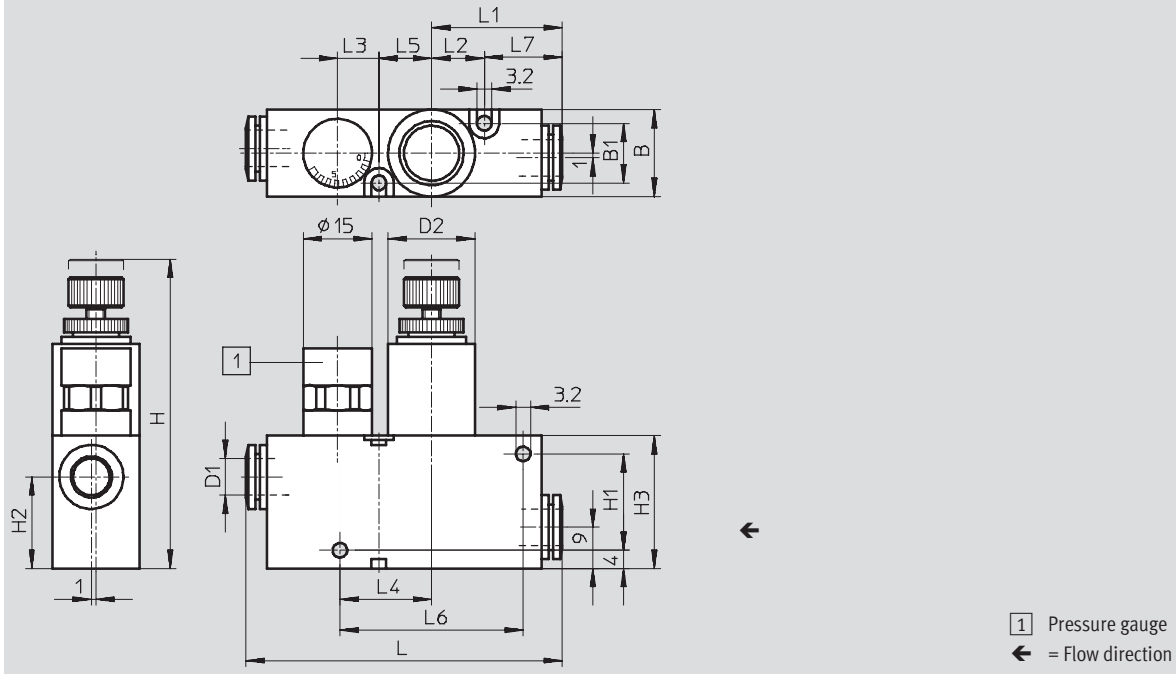
Technical data

FESTO

Dimensions

Download CAD Data → www.festo.com/us/cad

With QS push-in connector at both ends



Push-in connector	B	B1	D1 Ø	D2 Ø	H		H1	H2	H3	L	L1	L2	L3	L4	L5	L6	L7
					min.	max.											
QS-4	15	9	4	15	59	63	17	19	25	49.5	22.5	10	10	15	10	30	12
QS-6			6														
QS-8	19	13	8	19	63.5	67.5	21	21	29	59.7	28.5	11.5	9	19.6	11.5	39	17

Ordering data

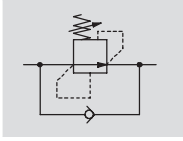
	Description	Screw-in thread	For tubing O.D.	Part No.	Type
			[mm]		
	With QS push-in connector and metric thread with sealing ring	M5	4	153 488	LRMA-M5-QS-4
			6	153 490	LRMA-M5-QS-6
	With QS push-in connector and PTFE-coated pipe thread	R1/8	4	153 489	LRMA-1/8-QS-4
			6	153 491	LRMA-1/8-QS-6
			8	153 493	LRMA-1/8-QS-8
			R1/4	6	153 492
8	153 494	LRMA-1/4-QS-8			
	With QS push-in connector at both ends	-	4	153 495	LRMA-QS-4
			6	153 496	LRMA-QS-6
			8	153 497	LRMA-QS-8

Differential pressure regulators LRL/LRLL

Technical data

FESTO

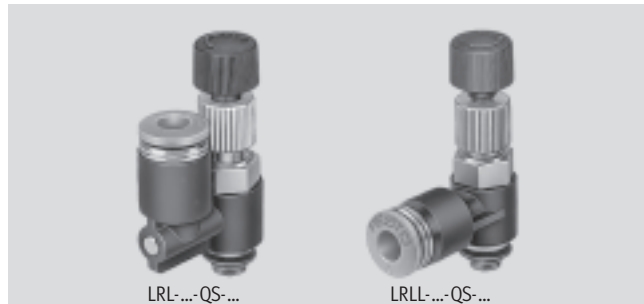
Function



- Minimal dimensions
- Constant differential pressure between the input and output
- With screw-in thread M5 ... R $\frac{1}{2}$ or push-in connector \varnothing 4 ... 12 mm

Flow rate

30 ... 760 l/min



General technical data		
Regulating function	With return flow, differential pressure constant	
Design	Directly actuated piston regulator with through pressure supply	
Actuator lock	Knurled screw with lock nut	
Type of mounting	Can be screwed in	
Mounting position	Any	
Materials	Housing	Polybutylene terephthalate
	Threaded plug	Nickel plated brass
	Threaded seal	Polytetrafluoroethylene

Operating and environmental conditions		
Operating medium	Filtered compressed air, lubricated or unlubricated	
Input pressure	[bar]	0 ... 9
Pressure regulation range	[bar]	1 ... 8
Ambient temperature	[°C]	0 ... 60

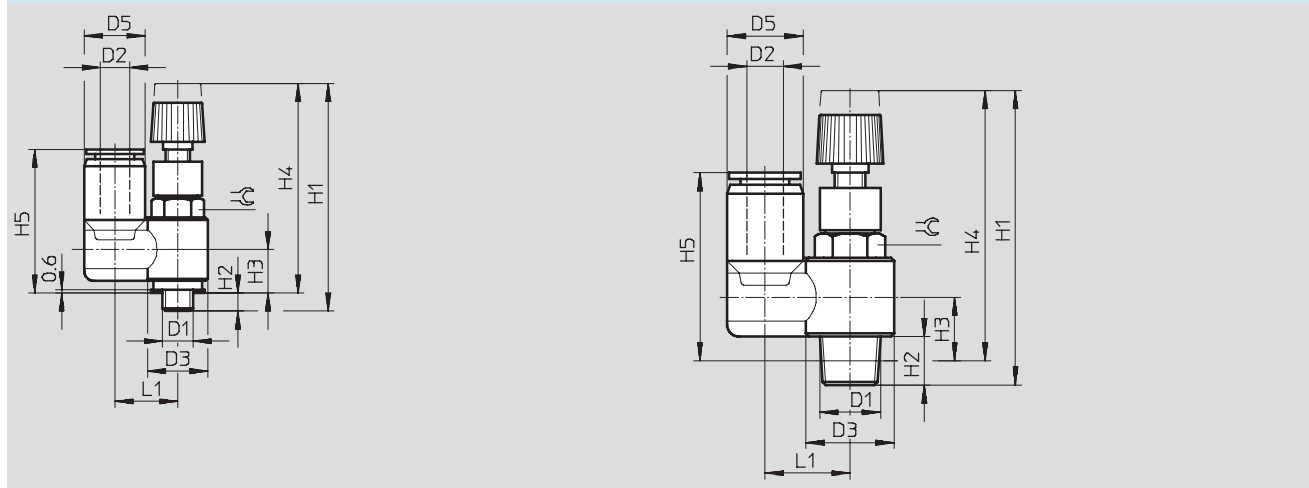
Standard nominal flow rate [l/min]										
Screw-in thread	M5		R $\frac{1}{8}$		R $\frac{1}{4}$		R $\frac{3}{8}$		R $\frac{1}{2}$	
	open	closed	open	closed	open	closed	open	closed	open	closed
Outlet on top										
QS-4	30	30	96	93	–	–	–	–	–	–
QS-6	30	30	115	115	241	240	–	–	–	–
QS-8	–	–	120	115	224	224	463	393	–	–
QS-10	–	–	–	–	231	231	476	423	–	–
QS-12	–	–	–	–	–	–	438	379	760	730
Outlet on the side										
QS-4	30	30	100	96	–	–	–	–	–	–
QS-6	32	31	155	140	267	266	–	–	–	–
QS-8	–	–	115	110	268	264	474	340	–	–
QS-10	–	–	–	–	269	262	456	411	–	–
QS-12	–	–	–	–	–	–	518	423	730	700

Differential pressure regulators LRL/LRLL

Technical data

Weights [g]					
Screw-in thread	M5	R $\frac{1}{8}$	R $\frac{1}{4}$	R $\frac{3}{8}$	R $\frac{1}{2}$
Outlet on top (LRL)					
QS-4	9.5	20	-	-	-
QS-6	11	21.5	37.5	-	-
QS-8	-	22.5	39	68.5	-
QS-10	-	-	42.5	72	-
QS-12	-	-	-	76	108
Outlet on side (LRLL)					
QS-4	8.8	19	-	-	-
QS-6	9.8	20	36.5	-	-
QS-8	-	21.5	37.5	66.5	-
QS-10	-	-	41.5	69	-
QS-12	-	-	-	73	105

Dimensions – Outlet on top Download CAD Data → www.festo.com/us/cad



Screw-in thread D1	D2 Ø	D3 Ø	D5 Ø	H1		H2	H3	H4		H5	L1	⌀
				min.	max.			min.	max.			
M5	4	9.8	10.2	35.2	38.3	2.9	6.7	32.3	35.4	23.9	10.5	8
	6	9.8	12.6	35.2	38.3	2.9	6.7	32.3	35.4	26	12.2	8
R $\frac{1}{8}$	4	14.4	10.2	43.7	48.2	8	10.9	39.7	44.2	28.9	13	10
	6	14.4	12.6	43.7	48.2	8	10.9	39.7	44.2	31	14.2	10
	8	14.4	14.6	43.7	48.2	8	10.9	39.7	44.2	32.4	15.3	10
R $\frac{1}{4}$	6	18.4	12.6	47.8	52.3	11.1	12	41.8	46.2	32.1	17.2	14
	8	18.4	14.6	47.8	52.3	11.1	12	41.8	46.2	33.6	18.2	14
	10	18.4	17.8	47.8	52.3	11.1	12	41.8	46.2	35.9	19.8	14
R $\frac{3}{8}$	8	22	14.6	54.5	59	13.2	15.4	48.2	52.6	37.8	19.2	19
	10	22	17.8	54.5	59	13.2	15.4	48.2	52.6	40.1	20.2	19
	12	22	21.2	54.5	59	13.2	15.4	48.2	52.6	42.8	23.4	24
R $\frac{1}{2}$	12	28	21.2	59.8	64.3	16	18.2	51.6	56.1	47	23.4	24

Differential pressure regulators LRL

Technical data

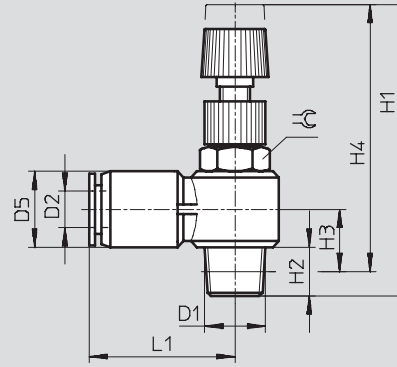
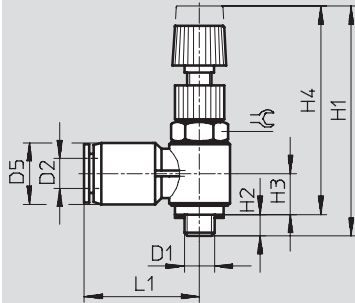
FESTO

Dimensions – Outlet on side

Download CAD Data → www.festo.com/us/cad

With QS push-in connector and screw-in thread M5

With QS push-in connector and screw-in thread R $\frac{1}{8}$, R $\frac{1}{4}$, R $\frac{3}{8}$, R $\frac{1}{2}$

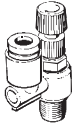
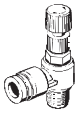


Screw-in thread D1	D2 Ø	D5 Ø	H1		H2	H3	H4		L1	⌀
			min.	max.			min.	max.		
M5	4	9.9	35.7	38.8	3.4	7.1	32.3	35.4	19.9	8
	6	12.4	35.7	38.8	3.4	8.3	32.3	35.4	24	8
R $\frac{1}{8}$	4	10	44.5	48.5	8	9.5	40.5	44.5	21.5	10
	6	12.5	44.5	48.5	8	10.5	40.5	44.5	23.5	10
	8	14.5	44.5	48.5	8	11.5	40.5	44.5	27	10
R $\frac{1}{4}$	6	12.5	48.5	52	11.5	12	42.5	46	25.5	14
	8	14.5	48.5	52	11.5	13	42.5	46	28.5	14
	10	17.5	48.5	52	18.5	15	42.5	46	31	14
R $\frac{3}{8}$	8	14.5	56	59	13	15	49.5	52.5	29	19
	10	17.5	56	59	13	16.5	49.5	52.5	31	19
	12	21	56	59	13	18	49.5	52.5	37	24
R $\frac{1}{2}$	12	21	62	64.5	16	19.5	54	56.5	36.5	24

Differential pressure regulators LRL/LRLL

Technical data

FESTO

Ordering data						
Circuit symbol	Description	Threaded connection	For tubing O.D. [mm]	Part No.	Type	
Outlet on top						
	With QS push-in connector and metric thread with sealing ring	M5	4	153 510	LRL-M5-QS-4	
			6	153 512	LRL-M5-QS-6	
	With QS push-in connector and PTFE-coated pipe thread	R $\frac{1}{8}$	4	153 511	LRL- $\frac{1}{8}$ -QS-4	
			6	153 513	LRL- $\frac{1}{8}$ -QS-6	
			8	153 515	LRL- $\frac{1}{8}$ -QS-8	
		R $\frac{1}{4}$	6	153 514	LRL- $\frac{1}{4}$ -QS-6	
			8	153 516	LRL- $\frac{1}{4}$ -QS-8	
			10	153 518	LRL- $\frac{1}{4}$ -QS-10	
		R $\frac{3}{8}$	8	153 517	LRL- $\frac{3}{8}$ -QS-8	
			10	153 519	LRL- $\frac{3}{8}$ -QS-10	
			12	153 520	LRL- $\frac{3}{8}$ -QS-12	
		R $\frac{1}{2}$	12	153 521	LRL- $\frac{1}{2}$ -QS-12	
	Outlet on the side					
		With QS push-in connector and metric thread with sealing ring	M5	4	153 498	LRL-M5-QS-4
6				153 500	LRL-M5-QS-6	
With QS push-in connector and PTFE-coated pipe thread		R $\frac{1}{8}$	4	153 499	LRL- $\frac{1}{8}$ -QS-4	
			6	153 501	LRL- $\frac{1}{8}$ -QS-6	
			8	153 503	LRL- $\frac{1}{8}$ -QS-8	
		R $\frac{1}{4}$	6	153 502	LRL- $\frac{1}{4}$ -QS-6	
			8	153 504	LRL- $\frac{1}{4}$ -QS-8	
			10	153 506	LRL- $\frac{1}{4}$ -QS-10	
		R $\frac{3}{8}$	8	153 505	LRL- $\frac{3}{8}$ -QS-8	
			10	153 507	LRL- $\frac{3}{8}$ -QS-10	
			12	153 508	LRL- $\frac{3}{8}$ -QS-12	
		R $\frac{1}{2}$	12	153 509	LRL- $\frac{1}{2}$ -QS-12	

Product Range and Company Overview

A Complete Suite of Automation Services

Our experienced engineers provide complete support at every stage of your development process, including: conceptualization, analysis, engineering, design, assembly, documentation, validation, and production.



Custom Automation Components
Complete custom engineered solutions



Custom Control Cabinets
Comprehensive engineering support and on-site services



Complete Systems
Shipment, stocking and storage services

The Broadest Range of Automation Components

With a comprehensive line of more than 30,000 automation components, Festo is capable of solving the most complex automation requirements.



Electromechanical
Electromechanical actuators, motors, controllers & drives



Pneumatics
Pneumatic linear and rotary actuators, valves, and air supply



PLCs and I/O Devices
PLC's, operator interfaces, sensors and I/O devices

Supporting Advanced Automation... As No One Else Can!

Festo is a leading global manufacturer of pneumatic and electromechanical systems, components and controls for industrial automation, with more than 12,000 employees in 56 national headquarters serving more than 180 countries. For more than 80 years, Festo has continuously elevated the state of manufacturing with innovations and optimized motion control solutions that deliver higher performing, more profitable automated manufacturing and processing equipment. Our dedication to the advancement of automation extends beyond technology to the education and development of current and future automation and robotics designers with simulation tools, teaching programs, and on-site services.

Quality Assurance, ISO 9001 and ISO 14001 Certifications

Festo Corporation is committed to supply all Festo products and services that will meet or exceed our customers' requirements in product quality, delivery, customer service and satisfaction.

To meet this commitment, we strive to ensure a consistent, integrated, and systematic approach to management that will meet or exceed the requirements of the ISO 9001 standard for Quality Management and the ISO 14001 standard for Environmental Management.



© Copyright 2008, Festo Corporation. While every effort is made to ensure that all dimensions and specifications are correct, Festo cannot guarantee that publications are completely free of any error, in particular typing or printing errors. Accordingly, Festo cannot be held responsible for the same. For Liability and Warranty conditions, refer to our "Terms and Conditions of Sale", available from your local Festo office. All rights reserved. No part of this publication may be reproduced, distributed, or transmitted in any form or by any means, electronic, mechanical, photocopying or otherwise, without the prior written permission of Festo. All technical data subject to change according to technical update.



Printed on recycled paper at New Horizon Graphic, Inc., FSC certified as an environmentally friendly printing plant.

Festo North America

Festo Regional Contact Center

5300 Explorer Drive
Mississauga, Ontario L4W 5G4
Canada

USA Customers:

For ordering assistance,

Call: 1.800.99.FESTO (1.800.993.3786)

Fax: 1.800.96.FESTO (1.800.963.3786)

Email: customer.service@us.festo.com

For technical support,

Call: 1.866.GO.FESTO (1.866.463.3786)

Fax: 1.800.96.FESTO (1.800.963.3786)

Email: product.support@us.festo.com

Canadian Customers:

Call: 1.877.GO.FESTO (1.877.463.3786)

Fax: 1.877.FX.FESTO (1.877.393.3786)

Email: festo.canada@ca.festo.com

USA Headquarters

Festo Corporation
395 Moreland Road
P.O. Box 18023
Hauppauge, NY 11788, USA
www.festo.com/us

USA Sales Offices

Appleton

North 922 Tower View Drive, Suite N
Greenville, WI 54942, USA

Boston

120 Presidential Way, Suite 330
Woburn, MA 01801, USA

Chicago

1441 East Business Center Drive
Mt. Prospect, IL 60056, USA

Dallas

1825 Lakeway Drive, Suite 600
Lewisville, TX 75057, USA

Detroit – Automotive Engineering Center

2601 Cambridge Court, Suite 320
Auburn Hills, MI 48326, USA

New York

395 Moreland Road
Hauppauge, NY 11788, USA

Silicon Valley

4935 Southfront Road, Suite F
Livermore, CA 94550, USA

United States



USA Headquarters, East: Festo Corp., 395 Moreland Road, Hauppauge, NY 11788

Phone: 1.631.435.0800; Fax: 1.631.435.8026;

Email: info@festo-usa.com

www.festo.com/us

Canada



Headquarters: Festo Inc., 5300 Explorer Drive, Mississauga, Ontario L4W 5G4

Phone: 1.905.624.9000; Fax: 1.905.624.9001;

Email: festo.canada@ca.festo.com

www.festo.ca

Mexico



Headquarters: Festo Pneumatic, S.A., Av. Ceylán 3, Col. Tequesquahuac,
54020 Tlalneantla, Edo. de México

Phone: 011 52 [55] 53 21 66 00; Fax: 011 52 [55] 53 21 66 65;

Email: festo.mexico@mx.festo.com

www.festo.com/mx

Central USA

Festo Corporation
1441 East Business
Center Drive
Mt. Prospect, IL 60056, USA
Phone: 1.847.759.2600
Fax: 1.847.768.9480



Western USA

Festo Corporation
4935 Southfront Road,
Suite F
Livermore, CA 94550, USA
Phone: 1.925.371.1099
Fax: 1.925.245.1286



Festo Worldwide

Argentina Australia Austria Belarus Belgium Brazil Bulgaria Canada Chile China Colombia Croatia Czech Republic Denmark
Estonia Finland France Germany Great Britain Greece Hong Kong Hungary India Indonesia Iran Ireland Israel Italy Japan Latvia
Lithuania Malaysia Mexico Netherlands New Zealand Norway Peru Philippines Poland Romania Russia Serbia Singapore
Slovakia Slovenia South Africa South Korea Spain Sweden Switzerland Taiwan Thailand Turkey Ukraine United States Venezuela

www.festo.com