

FESTO

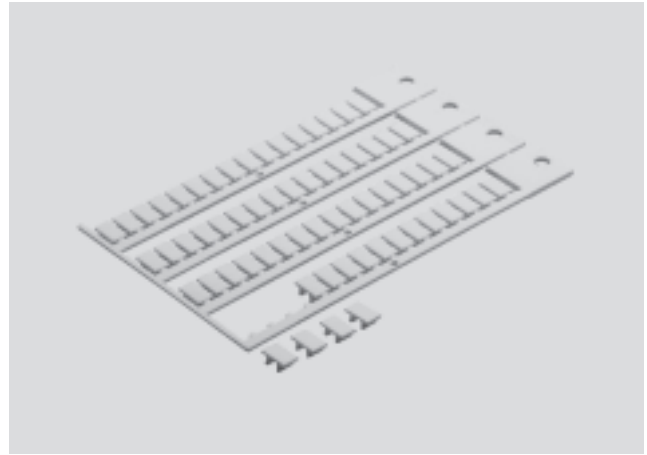
Labels

Inscription labels

Technical data

Inscription labels for labelling, can be used in holders or carriers on suitably equipped components.

Inscription labels are arranged in a press-out frame, several of which are combined to form a delivery unit.



General technical data	
Type of mounting	Pressed into inscription label holders or suitable carriers on the components
Corrosion resistance class CRC ¹⁾	2

1) Corrosion resistance class 2 according to Festo standard 940 070

Components requiring moderate corrosion resistance. Externally visible parts with primarily decorative surface requirements which are in direct contact with a surrounding industrial atmosphere or media such as cooling or lubricating agents.

Ordering data						
View	Inscription	Material	Number per frame	Dimensions (HxW)	Part No.	Type
				[mm]		
	Numbers 1...50	Polyvinyl chloride, soft	50	5.5x4.9	6 888	BZ-NUM 1-50
	Numbers 51...100		50	5.5x4.9	6 889	BZ-NUM 51-100
	By user	Polycarbonate (Lexan 920)	64	6x10	18 576	IBS-6x10
			24	9x17	161 937	IBS-9x17
			Polycarbonate (Lexan 920)	20	8x20	539 388
20	9x20			18 182	IBS-9x20	
30	10x17			160 238	IBS-10x17	
		Polyamide	35	11x17x8	33 362	KMC/F/V-BZ-35X
		Polycarbonate (Lexan)	80	4.5x9	197 259	MH-BZ-80X

Inscription labels

Technical data – Inscription clips



Inscription clips for placing on a cable.

Inscription clips for cables can be applied to any cable according to the maximum diameter. Many pre-assembled cables already have a labelling option on the connection point (socket/plug).



General technical data	
Type	KM-BZ
Part No.	33 361
Type of mounting	Inscription clip is pressed onto a cable
Inscription	By user. The inscription label itself is not labelled. The inscription is made on an insertable label or paper/cardboard strip.
Cable diameter [mm]	5 ... 8
Corrosion resistance class CRC ¹⁾	2

1) Corrosion resistance class 2 according to Festo standard 940 070
Components requiring moderate corrosion resistance. Externally visible parts with primarily decorative surface requirements which are in direct contact with a surrounding industrial atmosphere or media such as cooling or lubricating agents.

Inscription labels

Technical data – Inscription label holders

Inscription label holders enable inscription labels to be attached to components without pre-assembled carriers, or with special carriers for holders of this type.

If display components are concealed by the inscription label holder, the carrier is either transparent at these points or completely transparent.



Inscription system

Inscription label holders enable inscription labels to be attached when there are no suitable holders on the component itself.

They can either be equipped with inscription labels or are designed to hold inscribed paper/cardboard or foil strips.

Due to their size, inscription label holders conceal part of the module to which they are attached. Depending on the type of inscription label holder, the display components either remain visible through a transparent surface or the carrier itself acts as a suitable cover.



Note

The Word templates for inscription label holders/identification strips can be found at:

→ www.festo.com/en/engineering

Inscription labels

Technical data – Inscription label holders



Ordering data							
View	Holders for inscription labels	Product weight [g]	Material	For module with the following number of valves	Type of mounting	Part No.	Type
	1 (9x17)	7	Polyamide	–	Pushed into carriers on the components	161 936	MN2H-BZT-10X
	1 (9x17)	19	Polyamide 6 (Miramid)	–		18 575	MVH-BZ
	3 (9x20)	47	Polycarbonate (Makrolon 2405), transparent	–	Placed on component	158 968	IBT-02-E/A
	1 (9x20)	38	Polycarbonate (Makrolon 2405), transparent	–	Placed on component	18 183	IBT-03-E/A
	8 (6x10)						
	Insertable label or paper/cardboard strips	6	Polypropylene (Novolen 3300 MC), transparent	–	Pushed into carriers on the components	533 362	VMPA1-ST-1-4
	Insertable label or paper/cardboard strips	5	Polypropylen (Moplen RP220M), transparent	–	Pushed into carriers on the components	536 593	CPX-ST-1
	Insertable label or paper/cardboard strips	2	Polyamide PACM12 (Trogamid), transparent	–	Pushed into carriers on the components	658 807	MPA
	Insertable label or paper/cardboard strips	7	Polyvinyl chloride (RAU-PVC 1107)	4	Pushed into carriers on the components	527 631	CPVSC1-ST-4
		9		8		527 633	CPVSC1-ST-8
		15		12		527 635	CPVSC1-ST-12
		20		16		527 637	CPVSC1-ST-16

Inscription labels

Technical data – Inscription label holders



Ordering data							
View	Holders for inscription labels	Product weight [g]	Material	For module with the following number of valves	Type of mounting	Part No.	Type
	4 (6x10)	9	Polyvinyl chloride, hard	2	Pushed into carriers on the components	162 560	CPV10-VI-BZT-2
	6 (6x10)	10		3		162 561	CPV10-VI-BZT-3
	8 (6x10)	11		4		162 562	CPV10-VI-BZT-4
	10 (6x10)	15		5		162 563	CPV10-VI-BZT-5
	12 (6x10)	14		6		162 564	CPV10-VI-BZT-6
	14 (6x10)	15		7		162 565	CPV10-VI-BZT-7
	16 (6x10)	16		8		162 566	CPV10-VI-BZT-8
	4 (6x10)	10		2		162 567	CPV14-VI-BZT-2
	6 (6x10)	11		3		162 568	CPV14-VI-BZT-3
	8 (6x10)	13		4		162 569	CPV14-VI-BZT-4
	10 (6x10)	15		5		162 570	CPV14-VI-BZT-5
	12 (6x10)	16		6		162 571	CPV14-VI-BZT-6
	14 (6x10)	19		7		162 572	CPV14-VI-BZT-7
	16 (6x10)	21		8		162 573	CPV14-VI-BZT-8
	4 (6x10)	11		2		163 293	CPV18-VI-BZT-2
	6 (6x10)	12		3		163 294	CPV18-VI-BZT-3
	8 (6x10)	17		4		163 295	CPV18-VI-BZT-4
	10 (6x10)	18		5		163 296	CPV18-VI-BZT-5
	12 (6x10)	20		6		163 297	CPV18-VI-BZT-6
	14 (6x10)	23		7		163 298	CPV18-VI-BZT-7
16 (6x10)	29	8	163 299	CPV18-VI-BZT-8			
	Insertable label or paper/cardboard strips	8	2	194 066	CPV10-VI-ST-2		
		10	3	194 067	CPV10-VI-ST-3		
		11	4	194 068	CPV10-VI-ST-4		
		13	5	194 069	CPV10-VI-ST-5		
		14	6	194 070	CPV10-VI-ST-6		
		15	7	194 071	CPV10-VI-ST-7		
		16	8	194 072	CPV10-VI-ST-8		
		10	2	194 073	CPV14-VI-ST-2		
		11	3	194 074	CPV14-VI-ST-3		
		14	4	194 075	CPV14-VI-ST-4		
		15	5	194 076	CPV14-VI-ST-5		
		20	6	194 077	CPV14-VI-ST-6		
		19	7	194 078	CPV14-VI-ST-7		
		22	8	194 079	CPV14-VI-ST-8		
		11	2	194 080	CPV18-VI-ST-2		
		13	3	194 081	CPV18-VI-ST-3		
		15	4	194 082	CPV18-VI-ST-4		
		18	5	194 083	CPV18-VI-ST-5		
		21	6	194 084	CPV18-VI-ST-6		
		23	7	194 085	CPV18-VI-ST-7		
		28	8	194 086	CPV18-VI-ST-8		

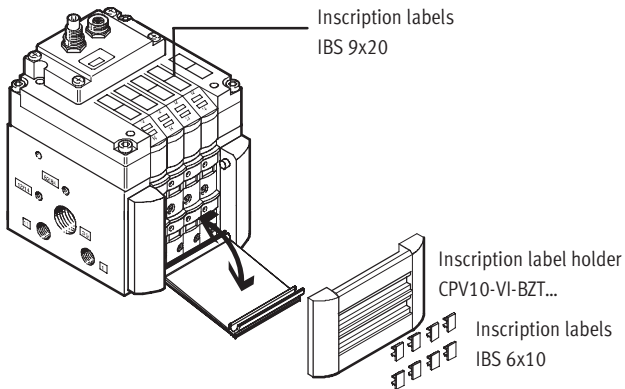
Inscription labels

Technical data – Inscription label holders



Examples illustrating the attachment of inscription label holders

CPV10-VI-...



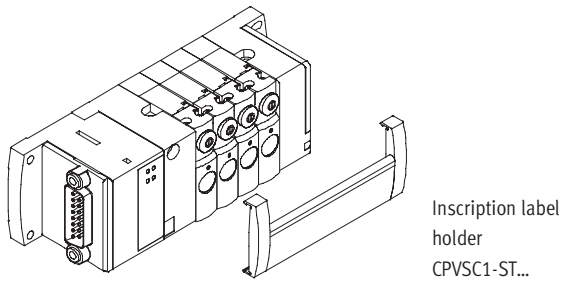
- The inscription label holder is locked into recesses on the valve terminal
- The inscription is created using inscription labels or by inserting identification strips



Note

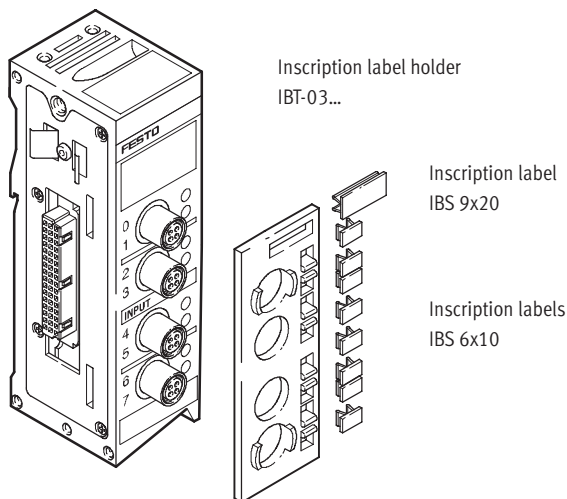
The inscription label holder cannot be used together with relay slices.

CPVSC1-ST...



- The inscription label holder is clipped onto the valve terminal
- The inscription is created by inserting identification strips

IBT-...



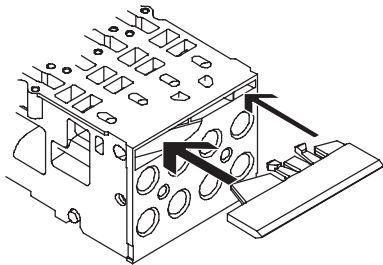
- The inscription label holder is pushed-in
- The inscription is created using inscription labels

Inscription labels

Technical data – Inscription label holders

Examples illustrating the attachment of inscription label holders

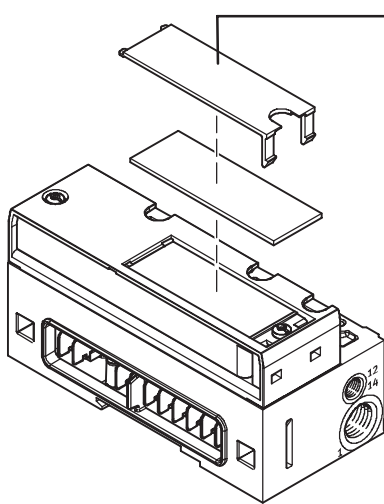
VMPA1-ST-...



Inscription label holder
VMPA-ST...

- The inscription label holder is locked into recesses on the valve terminal
- The inscription is created by inserting identification strips

MPA-...

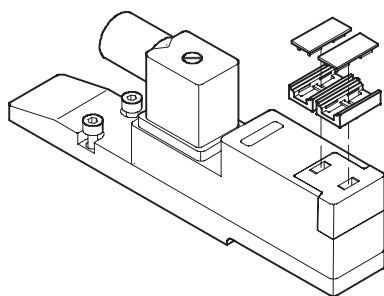


Inscription label holder

Identification strips

- The inscription label holder is locked into recesses on the valve terminal (cover, plug)
- The inscription is created by inserting identification strips

MVH-BZ (similar to MN2H-BZT-...)



Inscription labels
IBS 9x17

Inscription label holder
MVH-BZ

- The inscription label holder is locked into recesses on the valve
- The inscription is created using inscription labels

Product Range and Company Overview

A Complete Suite of Automation Services

Our experienced engineers provide complete support at every stage of your development process, including: conceptualization, analysis, engineering, design, assembly, documentation, validation, and production.



Custom Automation Components
Complete custom engineered solutions



Custom Control Cabinets
Comprehensive engineering support and on-site services



Complete Systems
Shipment, stocking and storage services

The Broadest Range of Automation Components

With a comprehensive line of more than 30,000 automation components, Festo is capable of solving the most complex automation requirements.



Electromechanical
Electromechanical actuators, motors, controllers & drives



Pneumatics
Pneumatic linear and rotary actuators, valves, and air supply



PLCs and I/O Devices
PLC's, operator interfaces, sensors and I/O devices

Supporting Advanced Automation... As No One Else Can!

Festo is a leading global manufacturer of pneumatic and electromechanical systems, components and controls for industrial automation, with more than 12,000 employees in 56 national headquarters serving more than 180 countries. For more than 80 years, Festo has continuously elevated the state of manufacturing with innovations and optimized motion control solutions that deliver higher performing, more profitable automated manufacturing and processing equipment. Our dedication to the advancement of automation extends beyond technology to the education and development of current and future automation and robotics designers with simulation tools, teaching programs, and on-site services.

Quality Assurance, ISO 9001 and ISO 14001 Certifications

Festo Corporation is committed to supply all Festo products and services that will meet or exceed our customers' requirements in product quality, delivery, customer service and satisfaction.

To meet this commitment, we strive to ensure a consistent, integrated, and systematic approach to management that will meet or exceed the requirements of the ISO 9001 standard for Quality Management and the ISO 14001 standard for Environmental Management.



© Copyright 2008, Festo Corporation. While every effort is made to ensure that all dimensions and specifications are correct, Festo cannot guarantee that publications are completely free of any error, in particular typing or printing errors. Accordingly, Festo cannot be held responsible for the same. For Liability and Warranty conditions, refer to our "Terms and Conditions of Sale", available from your local Festo office. All rights reserved. No part of this publication may be reproduced, distributed, or transmitted in any form or by any means, electronic, mechanical, photocopying or otherwise, without the prior written permission of Festo. All technical data subject to change according to technical update.



Printed on recycled paper at New Horizon Graphic, Inc., FSC certified as an environmentally friendly printing plant.

Festo North America

United States

Customer Resource Center

502 Earth City Expy., Suite 125
Earth City, MO 63045

For ordering assistance, or to find
your nearest Festo Distributor,

Call: 1.800.99.FESTO

Fax: 1.800.96.FESTO

Email: customer.service@us.festo.com

For technical support,

Call: 1.866.GO.FESTO

Fax: 1.800.96.FESTO

Email: product.support@us.festo.com

Headquarters

Festo Corporation
395 Moreland Road
P.O. Box 18023
Hauppauge, NY 11788
www.festo.com/us

Sales Offices

Appleton

N. 922 Tower View Drive, Suite N
Greenville, WI 54942

Boston

120 Presidential Way, Suite 330
Woburn, MA 01801

Chicago

1441 East Business Center Drive
Mt. Prospect, IL 60056

Dallas

1825 Lakeway Drive, Suite 600
Lewisville, TX 75057

Detroit - Automotive Engineering Center

2601 Cambridge Court, Suite 320
Auburn Hills, MI 48326

New York

395 Moreland Road
Hauppauge, NY 11788

Silicon Valley

4935 Southfront Road, Suite F
Livermore, CA 94550

Design and Manufacturing Operations



East: 395 Moreland Road, Hauppauge, NY 11788



Central: 1441 East Business Center Drive, Mt. Prospect, IL 60056



West: 4935 Southfront Road, Suite F, Livermore, CA 94550

Mexico

Headquarters

Festo Pneumatic, S.A.
Av. Ceylán 3, Col. Tequesquahuac
54020 Tlalnepantla, Edo. de México
Call: 011 52 [55] 53 21 66 00
Fax: 011 52 [55] 53 21 66 65
Email: festo.mexico@mx.festo.com
www.festo.com/mx



Canada

Headquarters

Festo Inc.
5300 Explorer Drive
Mississauga, Ontario L4W 5G4
Call: 1.905.624.9000
Fax: 1.905.624.9001
Email: info.ca@ca.festo.com
www.festo.com/ca



Festo Worldwide

Argentina Australia Austria Belarus Belgium Brazil Bulgaria Canada Chile China Colombia Croatia Czech Republic Denmark
Estonia Finland France Germany Great Britain Greece Hong Kong Hungary India Indonesia Iran Ireland Israel Italy Japan
Latvia Lithuania Malaysia Mexico Netherlands New Zealand Norway Peru Philippines Poland Romania Russia Serbia Singapore
Slovakia Slovenia South Africa South Korea Spain Sweden Switzerland Taiwan Thailand Turkey Ukraine United States Venezuela

www.festo.com