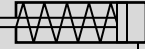


## Single-Acting Polymer Cylinder

With spring return, integral flange mount and fitting.

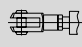

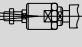
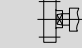
Type EFK-...-P 

With non-rotational piston Rod

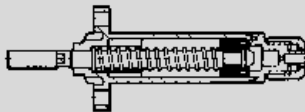
Type EFKL-...-P

Compact, corrosion-resistant, polymer cylinders have stainless steel piston rod and integral mounting flange and fitting. The cap is spin-welded to the barrel. The one-piece piston/seal acts as a cushioning ring at both ends of the stroke, reducing shock. Roll-threaded rod accepts mounting attachments. EFKL cylinders have non-rotating piston rod..

**Piston Rod Accessories:** (see page 812)

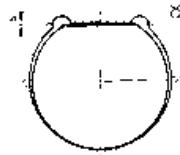
-  Rod clevis, Type SG
-  Rod eye, Type SGS
-  Rod aligner, Type FK
-  Coupling plate, Type KSZ

Example: Type EFKL-...



Piston rod rotational tolerance with Type EFKL-...

$S_{min.}$  = 0.0012 in / 0.03 mm  
 $S_{max.}$  = 0.0047 in / 0.12 mm  
 $\alpha_{min.}$  = 1°  
 $\alpha_{max.}$  = 4°



Order Number											
Part No.	Type	Bore mm	Stroke mm	Cush- ioning	Part No.	Type	Bore mm	Stroke mm	Cush- ioning	Weight lb / kg	
30252	EFK	- 8 -	10	-P	30256	EFKL	- 8 -	10	-P	0.020 / 0.009	
30253	EFK	- 8 -	25	-P	30257	EFKL	- 8 -	25	-P	0.034 / 0.014	
30260	EFK	- 10 -	10	-P	30254	EFKL	- 10 -	10	-P	0.047 / 0.013	
30261	EFK	- 10 -	25	-P	30255	EFKL	- 10 -	25	-P	0.067 / 0.020	
30262	EFK	- 10 -	40	-P	30258	EFKL	- 10 -	40	-P	0.095 / 0.028	
8611	EFK	- 12 -	10	-P	8614	EFKL	- 12 -	10	-P	0.067 / 0.020	
8612	EFK	- 12 -	25	-P	8615	EFKL	- 12 -	25	-P	0.095 / 0.028	
8613	EFK	- 12 -	40	-P	8616	EFKL	- 12 -	40	-P	0.126 / 0.031	
14100	EFK	- 16 -	10	-P	14104	EFKL	- 16 -	10	-P	0.095 / 0.028	
14101	EFK	- 16 -	25	-P	14105	EFKL	- 16 -	25	-P	0.166 / 0.040	
14102	EFK	- 16 -	40	-P	14106	EFKL	- 16 -	40	-P	0.218 / 0.052	
14103	EFK	- 16 -	50	-P	14107	EFKL	- 16 -	50	-P	0.278 / 0.060	
13736	EFK	- 20 -	10	-P	13740	EFKL	- 20 -	10	-P	0.332 / 0.054	
13737	EFK	- 20 -	25	-P	13741	EFKL	- 20 -	25	-P	0.406 / 0.074	
13738	EFK	- 20 -	40	-P	13742	EFKL	- 20 -	40	-P	0.501 / 0.095	
13748	EFK	- 20 -	50	-P	13749	EFKL	- 20 -	50	-P	0.610 / 0.109	
15003	EFK	- 25 -	10	-P	15007	EFKL	- 25 -	10	-P	0.707 / 0.097	
15004	EFK	- 25 -	25	-P	15008	EFKL	- 25 -	25	-P	0.839 / 0.132	
15005	EFK	- 25 -	40	-P	15009	EFKL	- 25 -	40	-P	1.005 / 0.166	
15006	EFK	- 25 -	50	-P	15010	EFKL	- 25 -	50	-P	1.196 / 0.191	

Order Number	Part No. (above) and Type Code: EFK or EFKL + bore (mm) + stroke length (mm) + P Example: Bore - 12 mm, stroke length - 40 mm, non-rotational Piston Rod = 8616 EFKL-12-40-P
Medium	Compressed air (filtered, lubricated or unlubricated)
Design	Piston type cylinder
Max. Allowable Operating Pressure	120 psi / 8 bar
Temperature Range	14 to 140°F / -10 to 60°C
Materials	Bearing cap, flange and cylinder barrel: Polymer. Piston rod: X20Cr13. Piston: Polyurethane.

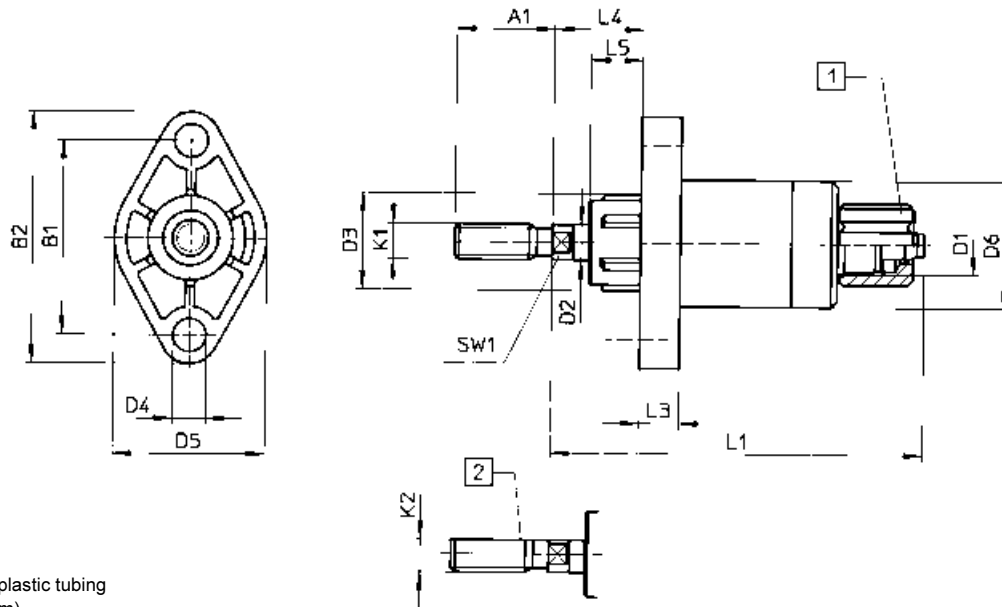
Bore mm	Stroke Lengths mm	Minimum force at 87 psi / 6 bar		Spring return force (min-max.*)				Maximum torque on EFKL piston rod at 90 psi / 6 bar				Connection
		lbf / N	≈kP	lbf / N	≈kP	lbf / N	≈kP	Extending		Retracting		
								lb-in	Nm	lb-in	Nm	
8	10, 25	4.5 / 20	2.0	7.2 / 3.2	0.32	12.3 / 5.5	0.55	1.1	0.12	0.09	0.01	PK-3
10	10, 25, 40	7.2 / 32	3.2	10.1 / 4.5	0.45	19.7 / 7.4	0.74	1.3	0.15	0.18	0.02	
12		11.2 / 50	5.0	17.1 / 7	0.7	31.2 / 11.5	1.15	4.4	0.5	0.35	0.04	PK-4
16	10, 25,	20.2 / 90	9.0	17.1 / 7	0.7	43.7 / 12.5	1.25	5.3	0.6	0.26	0.03	
20	40, 50	33.7 / 150	15.0	30.6 / 13.5	1.35	64.5 / 20.8	2.08	12.4	1.4	0.79	0.09	
25		52.6 / 235	23.5	50.6 / 20	2.0	93.5 / 29	2.9	17.6	2.0	0.88	0.10	

\* Theoretical value

# Polymer Barrel Pneumatic Cylinders, Type EFK/EFKL

## Dimensions

Type EFK...  
EFKL...



- ☐ Connection for 4 mm plastic tubing  
(Bores 8, 10 mm: 3 mm)  
For replacement cap, order 211291 MCK-PK-4-KU or  
211289 MCK-PK-3-KU

- ☐ Non-rotating piston rod, Type EFKL...

SW1 = wrench size to fits flats on piston rod

Bore	A1	B1	B2	D1	D2	D3	D4	D5	D6	K1
mm	in / mm	in / mm	in / mm	thread	f <sub>8</sub> dia in / mm	h <sub>12</sub> dia in / mm	in / mm	in / mm	dia in / mm	thread
8	0.47 / 12	0.79 / 20	1.06 / 27	M6 x 0.75	0.16 / 4	0.47 / 12	0.13 / 3.4	0.59 / 15	0.42 / 10.6	M4
10	0.47 / 12	0.87 / 22	1.14 / 29	M6 x 0.75	0.20 / 5	0.47 / 12	0.13 / 3.4	0.67 / 17	0.53 / 13.4	M4
12	0.63 / 16	0.98 / 25	1.30 / 33	M10 x 1	0.24 / 6	0.63 / 16	0.18 / 4.5	0.75 / 19	0.63 / 16	M6
16	0.63 / 16	1.26 / 32	1.63 / 41.5	M10 x 1	0.24 / 6	0.63 / 16	0.22 / 5.5	0.98 / 25	0.83 / 21	M6
20	0.79 / 20	1.57 / 40	2.03 / 51.6	M10 x 1	0.31 / 8	0.87 / 22	0.26 / 6.6	1.22 / 31	1.02 / 26	M8
25	0.87 / 22	1.77 / 45	2.32 / 59	M10 x 1	0.39 / 10	0.87 / 22	0.26 / 6.6	1.50 / 38	1.26 / 32	M10 x 1.25

Bore	K2	L1 ± 0.006 in / 1.5 mm Stroke				L3	L4 ± 0.098 in / 2.5 mm	L5	SW1
		0.39 / 10 in / mm	0.98 / 25 in / mm	1.57 / 40 in / mm	1.97 / 50 in / mm				
8	0.14 / 3.5	1.91 / 48.4	2.85 / 72.4	—	—	0.18 / 4.5	0.33 / 8.5	0.24 / 6	—
10	0.14 / 3.5	1.96 / 49.9	2.91 / 73.9	3.89 / 98.9	—	0.18 / 4.5	0.34 / 8.7	0.24 / 6	—
12	0.21 / 5.4	2.06 / 52.4	2.97 / 75.4	3.87 / 98.4	—	0.20 / 5	0.45 / 11.5	0.26 / 6.5	5
16	0.21 / 5.4	2.16 / 54.9	3.12 / 79.2	4.09 / 103.8	4.02 / 120.2	0.26 / 6.5	0.57 / 14.5	0.33 / 8.5	5
20	0.29 / 7.3	2.39 / 60.7	3.41 / 86.7	4.44 / 112.7	5.15 / 130.7	0.31 / 8	0.63 / 16	0.39 / 10	7
25	0.35 / 9	2.97 / 75.5	4.04 / 102.7	5.08 / 129	5.82 / 147.8	0.39 / 10	0.69 / 17.5	0.39 / 10	9

# Polymer Barrel Pneumatic Cylinders, Type DFK

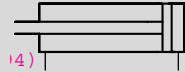
Double-Acting, Bores 8 to 25 mm

**FESTO**

## Double-Acting Polymer Cylinder

With flexible cushion rings at both ends, integral flange mount and fittings

### Type DFK-...-P



Compact, corrosion-resistant, plastic cylinders have stainless steel piston rod and integral mounting flange and fitting. The cap is spin-welded to the barrel. The one-piece piston/seal acts as a cushioning ring at both ends of the stroke, reducing shock. Roll-threaded rod accepts mounting attachments.

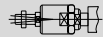
Piston Rod Accessories (see page 812)



Rod Clevis, Type SG



Rod Eye, Type SGS



Rod Aligner, Type FK



Coupling Plate, Type K



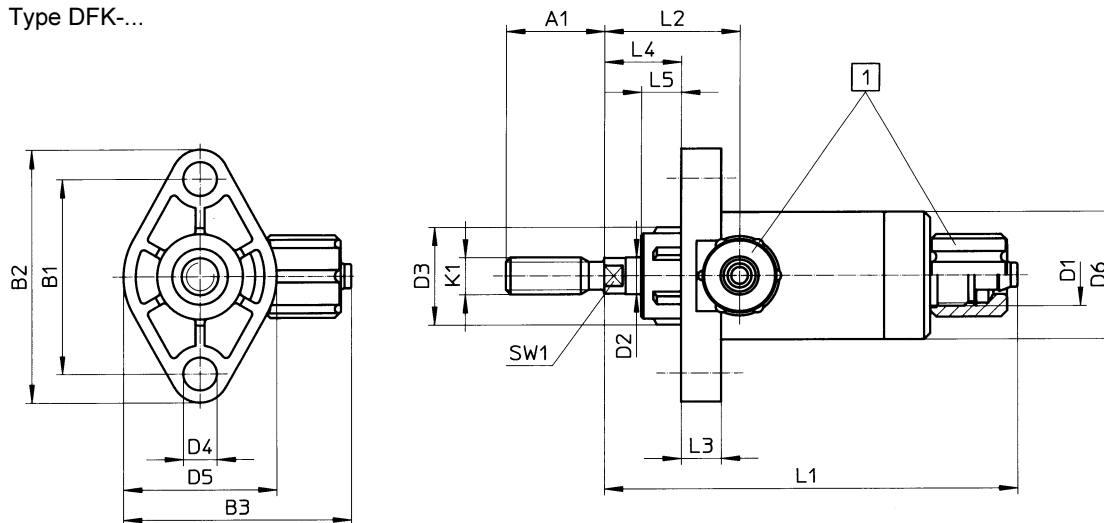
Order Number					
Part No.	Type	Bore mm	Stroke mm	Cushioning	Weight lb / kg
30268	DFK	- 8 -	10	-P	0.022 / 0.010
30269	DFK	- 8 -	25	-P	0.033 / 0.015
30270	DFK	- 8 -	40	-P	0.035 / 0.016
30272	DFK	- 10 -	10	-P	0.026 / 0.012
30273	DFK	- 10 -	25	-P	0.037 / 0.017
30274	DFK	- 10 -	40	-P	0.042 / 0.019
30275	DFK	- 10 -	50	-P	0.046 / 0.021
13991	DFK	- 12 -	10	-P	0.055 / 0.025
13992	DFK	- 12 -	25	-P	0.066 / 0.030
13993	DFK	- 12 -	40	-P	0.077 / 0.035
14762	DFK	- 12 -	50	-P	0.084 / 0.038
14337	DFK	- 16 -	10	-P	0.075 / 0.034
14338	DFK	- 16 -	25	-P	0.088 / 0.040
14339	DFK	- 16 -	40	-P	0.101 / 0.046
14520	DFK	- 16 -	50	-P	0.110 / 0.050
14521	DFK	- 20 -	10	-P	0.132 / 0.060
14522	DFK	- 20 -	25	-P	0.157 / 0.071
14523	DFK	- 20 -	40	-P	0.176 / 0.080
14524	DFK	- 20 -	50	-P	0.194 / 0.088
15011	DFK	- 25 -	10	-P	0.220 / 0.100
15012	DFK	- 25 -	25	-P	0.265 / 0.120
15013	DFK	- 25 -	40	-P	0.309 / 0.140
15014	DFK	- 25 -	50	-P	0.331 / 0.150
15015	DFK	- 25 -	80	-P	0.397 / 0.180

Order Number		Part No. (above) and Type Code: DFK + bore (mm) + stroke length (mm) + P Example: Bore - 12 mm, stroke length - 40 mm = 13993 DFK-12-40-P				
Medium		Compressed air (filtered, lubricated or unlubricated)				
Design		Piston type cylinder				
Max. Allowable Operating Pressure		120 psi / 8 bar				
Temperature Range		14 to 140°F / -10 to 60°C				
Materials		Bearing cap, flange and cylinder barrel: Polymer. Piston rod: X20Cr13. Piston: Polyurethane.				
Bore mm	Stroke Lengths mm	Force at 90 psi / 6 bar		Return Force at 90 psi / 6 bar		Connection
		lbf / N	≈kP	lbf / N	≈kP	
8	10, 25, 40	5.4 / 24	2.4	4.7 / 21	2.10	PK-3
10	10, 25, 40, 50	8.5 / 38	3.8	7.9 / 35	3.50	
12		13.5 / 60	6.0	11.2 / 50	5.09	PK-4
16		24.7 / 110	11.0	23.1 / 103	10.36	
20		38.2 / 170	17.0	35.5 / 158	15.83	
25	10, 25, 40, 50, 80	59.5 / 265	26.5	55.5 / 247	24.77	

# Polymer Barrel Pneumatic Cylinders, Type DFK

## Dimensions

Type DFK...



- 1 Connection for 4 mm plastic tubing  
(Bores 8, 10 mm: 3 mm)  
For replacement caps, order 211291 MCK-PK-4-KU or  
211289 MCK-PK-3-KU  
SW1 = Wrench size to fit flats on piston rod

Bore	A1	B1	B2	B3	D1	D2 f8 dia	D3 h12 dia	D4	D5	D6 dia	K1 thread
mm	in / mm	in / mm	in / mm	in / mm	thread	in / mm	in / mm	in / mm	in / mm	in / mm	thread
8	0.47 / 12	0.79 / 20	1.06 / 27	0.96 / 24.3	M6 x 0.75	0.16 / 4	0.47 / 12	0.13 / 3.4	0.59 / 15	0.42 / 10.6	M4
10	0.47 / 12	0.87 / 22	1.14 / 29	1.04 / 26.4	M6 x 0.75	0.16 / 4	0.47 / 12	0.13 / 3.4	0.67 / 17	0.53 / 13.4	M4
12	0.63 / 16	0.98 / 25	1.30 / 33	1.25 / 31.7	M10 x 1	0.24 / 6	0.63 / 16	0.18 / 4.5	0.75 / 19	0.63 / 16	M6
16	0.63 / 16	1.26 / 32	1.63 / 41.5	1.46 / 37.2	M10 x 1	0.24 / 6	0.63 / 16	0.22 / 5.5	0.98 / 25	0.83 / 21	M6
20	0.79 / 20	1.57 / 40	2.03 / 51.6	1.68 / 42.7	M10 x 1	0.31 / 8	0.87 / 22	0.26 / 6.6	1.22 / 31	1.02 / 26	M8
25	0.87 / 22	1.77 / 45	2.32 / 59	1.94 / 49.2	M10 x 1	0.39 / 10	0.87 / 22	0.26 / 6.6	1.50 / 38	1.26 / 32	M10 x 1.25

Bore	L1 Stroke					L2 ± 0.106 in / 2.7 mm	L3	L4 ± 2.5	L5	SW1
mm	0.39 / 10 in / mm	0.98 / 25 in / mm	1.57 / 40 in / mm	1.98 / 50 in / mm	3.15 / 80 in / mm	in / mm	in / mm	in / mm	in / mm	mm
8	2.01 / 51.1	2.64 / 67.1	3.19 / 81.1	—	—	0.61 / 15.5	0.18 / 4.5	0.33 / 8.5	0.24 / 6	—
10	2.06 / 52.4	2.65 / 67.4	3.24 / 82.4	3.66 / 92.9	—	0.61 / 15.5	0.18 / 4.5	0.33 / 8.5	0.24 / 6	—
12	2.28 / 57.9	2.87 / 72.9	3.46 / 87.9	3.85 / 97.9	—	0.85 / 21.5	0.20 / 5	0.49 / 12.5	0.26 / 6.5	5
16	2.41 / 61.2	3.00 / 76.2	3.59 / 91.2	3.98 / 101.2	—	0.87 / 22	0.26 / 6.5	0.49 / 12.5	0.26 / 6.5	5
20	2.45 / 62.2	3.16 / 80.2	3.75 / 95.2	4.14 / 105.2	—	0.92 / 23.4	0.31 / 8	0.51 / 13	0.28 / 7	7
25	3.26 / 82.8	3.46 / 87.8	4.44 / 112.8	4.83 / 122.8	6.02 / 152.8	1.16 / 29.5	0.39 / 10	0.69 / 17.5	0.39 / 10	9

# Product Range and Company Overview

## A Complete Suite of Automation Services

Our experienced engineers provide complete support at every stage of your development process, including: conceptualization, analysis, engineering, design, assembly, documentation, validation, and production.



**Custom Automation Components**  
Complete custom engineered solutions



**Custom Control Cabinets**  
Comprehensive engineering support and on-site services



**Complete Systems**  
Shipment, stocking and storage services

## The Broadest Range of Automation Components

With a comprehensive line of more than 30,000 automation components, Festo is capable of solving the most complex automation requirements.



**Electromechanical**  
Electromechanical actuators, motors, controllers & drives



**Pneumatics**  
Pneumatic linear and rotary actuators, valves, and air supply



**PLCs and I/O Devices**  
PLC's, operator interfaces, sensors and I/O devices

## Supporting Advanced Automation... As No One Else Can!

Festo is a leading global manufacturer of pneumatic and electromechanical systems, components and controls for industrial automation, with more than 12,000 employees in 56 national headquarters serving more than 180 countries. For more than 80 years, Festo has continuously elevated the state of manufacturing with innovations and optimized motion control solutions that deliver higher performing, more profitable automated manufacturing and processing equipment. Our dedication to the advancement of automation extends beyond technology to the education and development of current and future automation and robotics designers with simulation tools, teaching programs, and on-site services.

## Quality Assurance, ISO 9001 and ISO 14001 Certifications

Festo Corporation is committed to supply all Festo products and services that will meet or exceed our customers' requirements in product quality, delivery, customer service and satisfaction.

To meet this commitment, we strive to ensure a consistent, integrated, and systematic approach to management that will meet or exceed the requirements of the ISO 9001 standard for Quality Management and the ISO 14001 standard for Environmental Management.



© Copyright 2008, Festo Corporation. While every effort is made to ensure that all dimensions and specifications are correct, Festo cannot guarantee that publications are completely free of any error, in particular typing or printing errors. Accordingly, Festo cannot be held responsible for the same. For Liability and Warranty conditions, refer to our "Terms and Conditions of Sale", available from your local Festo office. All rights reserved. No part of this publication may be reproduced, distributed, or transmitted in any form or by any means, electronic, mechanical, photocopying or otherwise, without the prior written permission of Festo. All technical data subject to change according to technical update.



Printed on recycled paper at New Horizon Graphic, Inc., FSC certified as an environmentally friendly printing plant.

# Festo North America

## United States

**Customer Resource Center**  
502 Earth City Expy., Suite 125  
Earth City, MO 63045

For ordering assistance, or to find  
your nearest Festo Distributor,

**Call:** 1.800.99.FESTO

**Fax:** 1.800.96.FESTO

**Email:** customer.service@us.festo.com

For technical support,

**Call:** 1.866.GO.FESTO

**Fax:** 1.800.96.FESTO

**Email:** product.support@us.festo.com

### Headquarters

Festo Corporation  
395 Moreland Road  
P.O. Box 18023  
Hauppauge, NY 11788  
[www.festo.com/us](http://www.festo.com/us)

---

### Sales Offices

#### Appleton

N. 922 Tower View Drive, Suite N  
Greenville, WI 54942

#### Boston

120 Presidential Way, Suite 330  
Woburn, MA 01801

#### Chicago

1441 East Business Center Drive  
Mt. Prospect, IL 60056

#### Dallas

1825 Lakeway Drive, Suite 600  
Lewisville, TX 75057

#### Detroit - Automotive Engineering Center

2601 Cambridge Court, Suite 320  
Auburn Hills, MI 48326

#### New York

395 Moreland Road  
Hauppauge, NY 11788

#### Silicon Valley

4935 Southfront Road, Suite F  
Livermore, CA 94550

## Design and Manufacturing Operations



**East:** 395 Moreland Road, Hauppauge, NY 11788



**Central:** 1441 East Business Center Drive, Mt. Prospect, IL 60056



**West:** 4935 Southfront Road, Suite F, Livermore, CA 94550

---

## Mexico

### Headquarters

Festo Pneumatic, S.A.  
Av. Ceylán 3, Col. Tequesquahuac  
54020 Tlalnepantla, Edo. de México  
**Call:** 011 52 [55] 53 21 66 00  
**Fax:** 011 52 [55] 53 21 66 65  
**Email:** festo.mexico@mx.festo.com  
[www.festo.com/mx](http://www.festo.com/mx)



---

## Canada

### Headquarters

Festo Inc.  
5300 Explorer Drive  
Mississauga, Ontario L4W 5G4  
**Call:** 1.905.624.9000  
**Fax:** 1.905.624.9001  
**Email:** info.ca@ca.festo.com  
[www.festo.com/ca](http://www.festo.com/ca)



---

## Festo Worldwide

Argentina Australia Austria Belarus Belgium Brazil Bulgaria Canada Chile China Colombia Croatia Czech Republic Denmark  
Estonia Finland France Germany Great Britain Greece Hong Kong Hungary India Indonesia Iran Ireland Israel Italy Japan  
Latvia Lithuania Malaysia Mexico Netherlands New Zealand Norway Peru Philippines Poland Romania Russia Serbia Singapore  
Slovakia Slovenia South Africa South Korea Spain Sweden Switzerland Taiwan Thailand Turkey Ukraine United States Venezuela

[www.festo.com](http://www.festo.com)