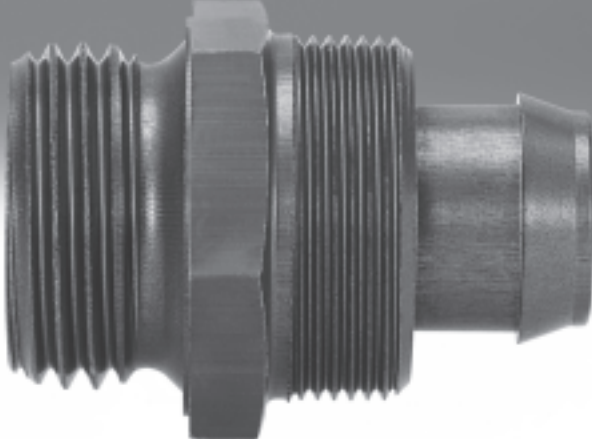


Quick connectors

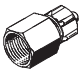
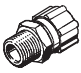

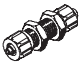

FESTO



Quick connectors CK/CX

Product range overview

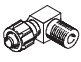

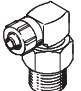

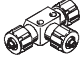

FESTO

Design	Design	Type	Connection D1		Tubing I.D.	Free of copper, PTFE and silicone	→ Page/ Internet
			M thread	G thread			
Straight	Quick connector – Female thread with sealing ring						
		ACK Metal type	–	G $\frac{1}{8}$	3, 4, 6	■	5
				G $\frac{1}{4}$	4, 6		
				G $\frac{3}{8}$	6, 9		
				G $\frac{1}{2}$	13		
	Quick connector – Male thread with sealing ring						
		CK Metal type	M5	–	3, 4	■	6
			–	G $\frac{1}{8}$	3, 4, 6		
				G $\frac{1}{4}$	4, 6, 9		
				G $\frac{3}{8}$	6, 9, 13		
		G $\frac{1}{2}$		13			
		CK-...-KU Polymer design	–	G $\frac{1}{8}$	3, 4, 6	■	6
				G $\frac{1}{4}$	4, 6, 9		
				G $\frac{3}{8}$	6, 9		
	–			–			
	Bulkhead quick connector – Female thread with sealing ring						
		QCK	M5	–	3	■	7
			–	G $\frac{1}{8}$	4		
				G $\frac{1}{4}$	6		
				G $\frac{3}{8}$	9		
Bulkhead quick connector							
	SCK Metal type	–	–	3, 4, 6, 9	■	8	
	SCK-...-KU Polymer design	–	–	3, 4, 6, 9	■	8	
End cap for plastic tube connectors and barbed connectors							
	CV-PK	–	–	3, 4, 6, 9	–	9	

Quick connectors CK/CX

Product range overview

FESTO

Design	Design	Type	Connection D1			Tubing I.D.	Free of copper, PTFE and silicone	→ Page/ Internet	
			M thread	R thread	G thread				
L-shape	Elbow quick connector								
		GCK-...-KU	-	R 1/8	-	4, 6	■	10	
				R 1/4		4, 6			
				R 3/8		6, 9			
	Elbow quick connector, rotatable, with 2 sealing rings								
		LCK Metal type	M5	-	-	3, 4	■	11	
						G 1/8			3, 4, 6
						G 1/4			4, 6, 9
						G 3/8			6, 9, 13
						G 1/2			13
LCK-...-KU Polymer design	-	-	-	G 1/8	4, 6	■	11		
				G 1/4	4, 6				
Elbow quick connector with sealing ring (rotatable 360°)									
	LCKN	M5	-	-	3, 4	-	12		
					G 1/8			3, 4, 6	
					G 1/4			4, 6	
					G 3/8			6	
T-shape	T quick connector, rotatable, with 2 sealing rings								
		TCK Metal type	M5	-	-	3, 4	■	13	
						G 1/8			3, 4, 6
						G 1/4			4, 6
						G 3/8			6, 9
						G 1/2			13
	TCK-...-KU Polymer design	-	-	-	G 1/8	4, 6	■	13	
					G 1/4	4, 6			
	T-distributor								
		FCK-...-KU	-	-	-	3	■	14	
4									
6									
9									
Locknut for CK tube connector									
	MCK Metal type	-	-	-	3, 4, 6, 9, 13	-	15		
	MCK-...-KU Polymer design	-	-	-	3, 4, 6, 9	-	15		


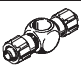
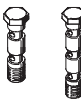
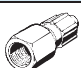

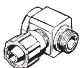

Do not use for new designs!

-  - Types ACX, CX, LCX, TCX discontinued

Quick connectors CK/CX

Product range overview

FESTO

Design	Design	Type	Connection D1		Tubing I.D.	Free of copper, PTFE and silicone	→ Page/ Internet		
			M thread	G thread					
Multiple distributor	Ring piece with 2 seals								
		LK Metal type	M5	–	3	–	16		
			–	G $\frac{1}{8}$	3, 4, 6				
			–	G $\frac{1}{4}$	4, 6				
		–	G $\frac{3}{8}$	6					
		LK-...-KU Polymer design	–	G $\frac{1}{8}$	4, 6			–	16
			–	G $\frac{1}{4}$	4, 6				
	Ring piece with 2 seals								
		TK Metal type	M5	–	3, 4	–	17		
			–	G $\frac{1}{8}$	3, 4, 6				
			–	G $\frac{1}{4}$	4, 6				
		–	G $\frac{3}{8}$	6					
TK-...-KU Polymer design		–	G $\frac{1}{8}$	4, 6	–			17	
		–	G $\frac{1}{4}$	4, 6					
Hollow bolt with 2 ring pieces									
	VT-...-2 2 ring pieces	M5	G $\frac{1}{8}$	3, 4, 6	–	18			
		–	G $\frac{1}{4}$	4, 6					
		–	G $\frac{3}{8}$	6					
	VT-...-3 3 ring pieces	M5	G $\frac{1}{8}$	3, 4, 6			–	18	
		–	G $\frac{1}{4}$	4, 6					
		–	G $\frac{3}{8}$	6					
For metal braided hoses PX									
Straight	Quick connector								
		ACX	–	G $\frac{1}{8}$	4	–	19		
			–	G $\frac{1}{4}$	6				
			–	G $\frac{3}{8}$	9				
	Quick connector								
		CX	–	G $\frac{1}{8}$	4, 6	–	19		
–			G $\frac{1}{4}$	4, 6					
–			G $\frac{3}{8}$	9					
L-shape	Elbow quick connector								
		LCX	–	G $\frac{1}{8}$	4	–	20		
			–	G $\frac{1}{4}$	6				
			–	G $\frac{3}{8}$	9				
T-shape	T quick connector								
		TCX	–	G $\frac{1}{8}$	4	–	20		
			–	G $\frac{1}{4}$	6				
			–	G $\frac{3}{8}$	9				

Quick connectors ACK

Technical data

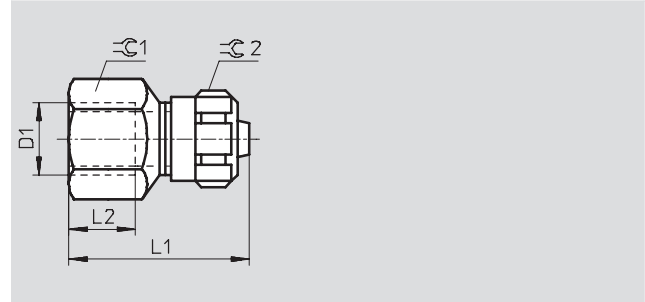
Quick connector ACK

Female thread with sealing ring

Material:

Blue anodised aluminium

Free of copper and PTFE



Dimensions and ordering data									
Connection D1	Nominal size [mm]	Tubing I.D.	L1	L2	∅C1	∅C2	Part No.	Type	PU*
G $\frac{1}{8}$	2.4	3	23.9	9	13	8	5 664	ACK- $\frac{1}{8}$ -PK-3	10
	3.4	4	27	9	13	12	3 714	ACK- $\frac{1}{8}$ -PK-4	10
	5.3	6	27	9	13	14	7 842	ACK- $\frac{1}{8}$ -PK-6	10
G $\frac{1}{4}$	3.4	4	30	12	17	12	3 713	ACK- $\frac{1}{4}$ -PK-4	10
	5.3	6	30	12	17	14	3 712	ACK- $\frac{1}{4}$ -PK-6	10
G $\frac{3}{8}$	5.3	6	31	12	19	14	3 711	ACK- $\frac{3}{8}$ -PK-6	10
	8	9	37.4	15	19	19	3 710	ACK- $\frac{3}{8}$ -PK-9	1
G $\frac{1}{2}$	12	13	40.2	15	27	24	4 099	ACK- $\frac{1}{2}$ -PK-13	1

* Packaging unit quantity

Quick connectors CK

Technical data

FESTO

Quick connector CK

Male thread with sealing ring

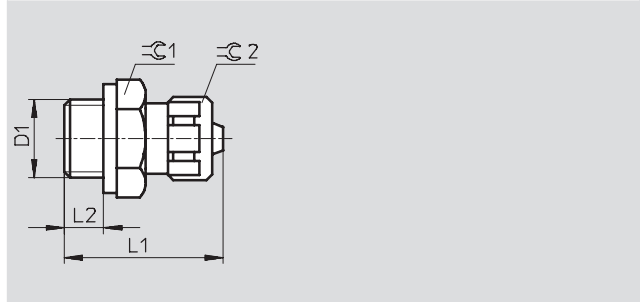
Material:

M thread: Steel, aluminium

G thread: Blue anodised aluminium

Free of copper and PTFE

Certification: Germanischer Lloyd



Quick connector CK...-KU

Male thread with moulded-on sealing ring

ring

Material:

Polyacetate

Free of copper and PTFE

Conforms to RoHS

Pressure range: 0 ... 10 bar

Temperature range: -10 ... +60 °C

Certification: Germanischer Lloyd

Dimensions and ordering data									
Connection	Nominal size	Tubing I.D.	L1	L2	⌀C	⌀C1	Part No.	Type	PU*
D1	[mm]								
Metal design									
M5	2.0	3	19.3	3.8	7	8	3 561	CK-M5-PK-3	10
	2.9	4	21.5	3.8	10	-	3 562	CK-M5-PK-4	10
G $\frac{1}{8}$	2.0	3	21.6	4.9	13	8	3 563	CK- $\frac{1}{8}$ -PK-3	10
	2.9	4	24.7	4.9	13	12	2 027	CK- $\frac{1}{8}$ -PK-4	10
	4.9	6	24.8	4.9	13	14	2 028	CK- $\frac{1}{8}$ -PK-6	10
G $\frac{1}{4}$	2.9	4	27.2	5.8	17	12	2 029	CK- $\frac{1}{4}$ -PK-4	10
	4.9	6	27.3	5.8	17	14	2 030	CK- $\frac{1}{4}$ -PK-6	10
	8	9	30.6	5.8	17	19	2 031	CK- $\frac{1}{4}$ -PK-9	10
G $\frac{3}{8}$	4.9	6	28.3	6.8	19	14	2 032	CK- $\frac{3}{8}$ -PK-6	10
	8	9	31.6	6.8	19	19	2 033	CK- $\frac{3}{8}$ -PK-9	10
	11.7	13	33.2	6.8	24	24	4 097	CK- $\frac{3}{8}$ -PK-13	10
G $\frac{1}{2}$	11.7	13	34.7	8.5	24	24	4 098	CK- $\frac{1}{2}$ -PK-13	1
Polymer design									
G $\frac{1}{8}$	2.4	3	22.2	6.5	13	8	6 253	CK- $\frac{1}{8}$ -PK-3-KU	10
	3.4	4	25.3	6.5	13	12	6 254	CK- $\frac{1}{8}$ -PK-4-KU	10
	4.4	6	25.4	6.5	13	14	6 255	CK- $\frac{1}{8}$ -PK-6-KU	10
G $\frac{1}{4}$	3.4	4	28.5	8.5	17	12	6 256	CK- $\frac{1}{4}$ -PK-4-KU	10
	5.3	6	28.6	8.5	17	14	6 257	CK- $\frac{1}{4}$ -PK-6-KU	10
	7.3	9	31.9	8.5	17	19	6 258	CK- $\frac{1}{4}$ -PK-9-KU	10
G $\frac{3}{8}$	5.3	6	31	10.5	19	14	6 460	CK- $\frac{3}{8}$ -PK-6-KU	10
	8	9	34.5	10.5	19	19	6 468	CK- $\frac{3}{8}$ -PK-9-KU	10

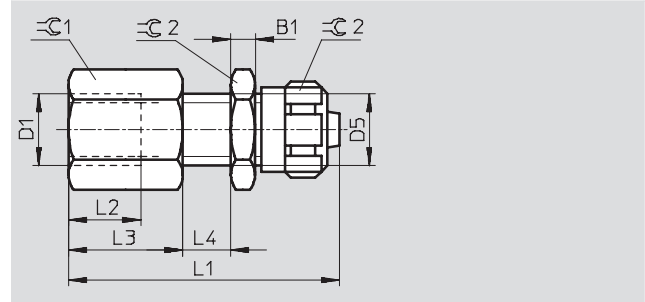
* Packaging unit quantity

Bulkhead quick connectors QCK

Technical data

Bulkhead quick connector QCK
Female thread with sealing ring

Material:
Blue anodised aluminium/steel
Free of copper and PTFE



Dimensions and ordering data														
Connection	Nominal size	Tubing I.D.	B1	D5	L1	L2	L3	L4	G1	G2	G3	Part No.	Type	PU*
D1	[mm]							max.						
M5	2.4	3	3.2	M6x0.75	31	6	10	8	7	8	10	9 424	QCK-M5-PK-3-B	1
G ¹ / ₈	3.4	4	3.5	M10x1	40	8	13.5	10	13	12	13	9 425	QCK- ¹ / ₈ -PK-4-B	1
G ¹ / ₄	5.3	6	4	M12x1	45	12	18	10	17	14	17	9 426	QCK- ¹ / ₄ -PK-6-B	1
G ³ / ₈	8	9	5	M16x1	50	12	18.6	10	19	19	22	9 427	QCK- ³ / ₈ -PK-9-B	1

* Packaging unit quantity

Bulkhead quick connectors SCK

Technical data

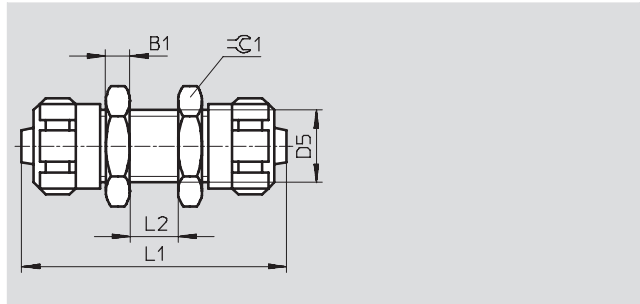
Bulkhead quick connector SCK

Material:
Blue anodised aluminium/steel
Free of copper and PTFE



Bulkhead quick connector SCK-...-KU with moulded-on sealing ring

Material:
Polyacetate
Free of copper and PTFE
Conforms to RoHS



Pressure range: 0 ... 10 bar
Temperature range: -10 ... +60 °C

Dimensions and ordering data									
Nominal size	Tubing I.D.	B1	D5	L1	L2 max.	☉1	Part No.	Type	PU*
[mm]									
Aluminium design									
2.4	3	3.2	M6x0.75	34	8	10	9 420	SCK-PK-3	1
3.4	4	3.5	M10x1	43	10	13	9 421	SCK-PK-4	1
5.3	6	4	M12x1	44	10	17	9 422	SCK-PK-6	1
8	9	5	M16x1	53	10	22	9 423	SCK-PK-9	1
Polymer design									
2.4	3	5	M10x1 ¹⁾	41	10	13	9 387	SCK-PK-3-KU	10
3.4	4	5	M10x1	46		13	9 388	SCK-PK-4-KU	10
5.3	6	6	M12x1	48		17	9 389	SCK-PK-6-KU	10
8	9	7	M16x1	57		22	9 390	SCK-PK-9-KU	1

* Packaging unit quantity

1) Installation diameter varies from aluminium version

End caps CV

Technical data

End cap CV

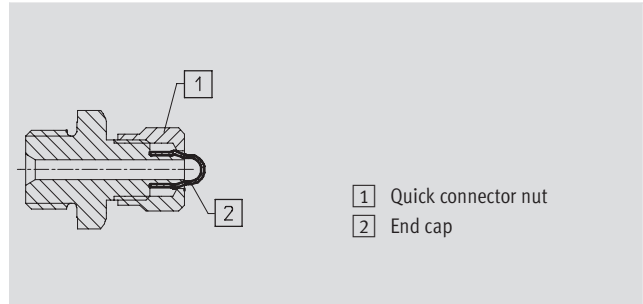
for sealing barbed fittings and connectors for polymer tubing

Material:

Polyurethane

Free of copper and PTFE

Conforms to RoHS



Dimensions and ordering data				
Tubing I.D.	Weight/piece [g]	Part No.	Type	PU*
3	0.001	6 213	CV-PK-3-B	10
4	0.001	6 214	CV-PK-4-B	10
6	0.001	6 215	CV-PK-6-B	10
9	0.002	6 216	CV-PK-9-B	10

Operating conditions (permissible static pressure)								
Type	CV-PK-3-B ... CV-PK-6-B						CV-PK-9-B	
Operating pressure [bar]	10	10	8	7	6	6	4	
Ambient temperature [°C]	-35	+20	+40	+60	+80	+60	+80	

* Packaging unit quantity

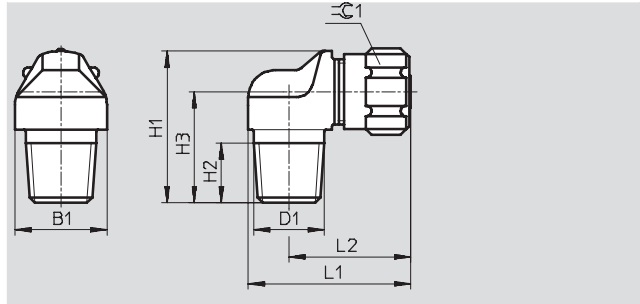
Elbow quick connectors GCK

Technical data

Elbow quick connector GCK-...-KU

Material:
Polyacetate
Free of copper and PTFE
Conforms to RoHS

Pressure range: 0 ... 10 bar
Temperature range: -10 ... +60 °C



Dimensions and ordering data												
Connection D1	Nominal size [mm]	Tubing I.D.	B1	H1	H2	H3	L1	L2	$\varnothing C1$	Part No.	Type	PU*
R $\frac{1}{8}$	2.9	4	13	22.5	8	16.5	26.5	20.5	20.5	6 267	GCK- $\frac{1}{8}$ -PK-4-KU	10
	4.9	6	17	24.5	8	17.5	28.5	21.5	21.5	6 268	GCK- $\frac{1}{8}$ -PK-6-KU	10
R $\frac{1}{4}$	2.9	4	17	25.5	11	19.5	30	22.5	22.5	6 269	GCK- $\frac{1}{4}$ -PK-4-KU	10
	4.9	6	17	27.5	11	20.5	30	22.5	22.5	6 270	GCK- $\frac{1}{4}$ -PK-6-KU	10
R $\frac{3}{8}$	4.9	6	19	28.5	10.5	21	34	24.5	24.5	6 271	GCK- $\frac{3}{8}$ -PK-6-KU	10
	8	9	19	33.5	10.5	23.5	37.2	27.7	27.7	6 272	GCK- $\frac{3}{8}$ -PK-9-KU	10

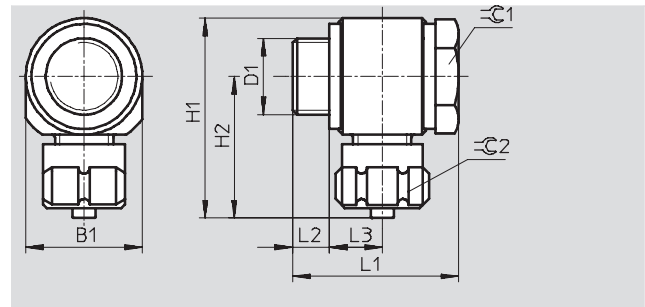
* Packaging unit quantity

Elbow quick connectors LCK

Technical data

Elbow quick connector LCK
rotatable with 2 sealing rings

Material:
Die-cast zinc
Free of copper and PTFE



Elbow quick connector LCK-...-KU
rotatable with moulded-on sealing ring

Material:
Polyacetate
Free of copper and PTFE

Pressure range: 0 ... 10 bar
Temperature range: -10 ... +60 °C

Dimensions and ordering data													
Connection	Nominal size	Tubing I.D.	B1	H1	H2	L1	L2	L3	⌀C1	⌀C2	Part No.	Type	PU*
D1	[mm]												
Die-cast zinc design													
M5	2.4	3	10	21.1	16.1	17.2	3.8	5.2	7	8	4 468	LCK-M5-PK-3	10
	2.4	4	11	21.1	16.1	18	3.8	5.6	7	8	4 562	LCK-M5-PK-4	10
G ³ / ₈	2	3	16	27.1	19.1	21.1	4.9	6.1	13	8	4 136	LCK- ³ / ₈ -PK-3	10
	2.9	4	16	30.2	22.2	27.1	4.9	9.1	13	12	4 469	LCK- ³ / ₈ -PK-4	10
	4.9	6	16	30.3	22.3	27.1	4.9	9.1	13	14	4 470	LCK- ³ / ₈ -PK-6	10
G ¹ / ₄	2.9	4	20	34.2	24.2	28.1	5.7	9.2	17	12	4 471	LCK- ¹ / ₄ -PK-4	10
	4.9	6	20	34.3	24.3	28.1	5.5	9.3	17	14	4 472	LCK- ¹ / ₄ -PK-6	10
	8	9	20	37.6	27.6	33.3	5.7	11.8	17	19	11 452	LCK- ¹ / ₄ -PK-9	10
G ³ / ₈	4.9	6	25	39.3	26.8	30.3	6.7	9.3	22	14	4 473	LCK- ³ / ₈ -PK-6	1
	8	9	25	42.6	30.1	35.3	6.7	11.8	22	19	4 474	LCK- ³ / ₈ -PK-9	1
G ¹ / ₂	11.7	13	30	49.2	34.2	46.6	7.9	16.85	27	24	4 100	LCK- ¹ / ₂ -PK-13	1
Polymer design													
G ³ / ₈	3.4	4	16	30.5	22.5	27.5	7.1	8.25	13	12	6 259	LCK- ³ / ₈ -PK-4-KU	10
	5.3	6	16	30.5	22.5	27.5	7.1	8.25	13	14	6 260	LCK- ³ / ₈ -PK-6-KU	10
G ¹ / ₄	3.4	4	20	34.5	24.5	28.5	8.1	8.25	17	12	6 261	LCK- ¹ / ₄ -PK-4-KU	10
	5.3	6	20	34.5	24.5	28.5	8.1	8.25	17	14	6 262	LCK- ¹ / ₄ -PK-6-KU	10

* Packaging unit quantity

Elbow quick connectors LCKN

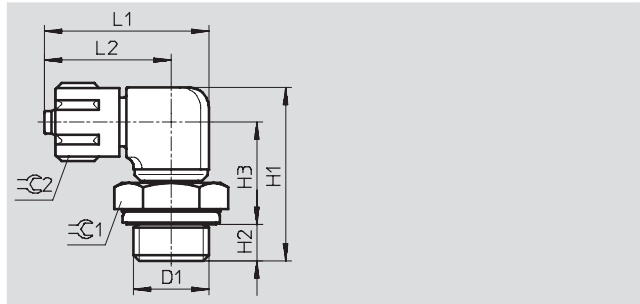
Technical data

Elbow quick connector LCKN
rotatable with sealing ring OL-...

Material:
Die-cast zinc/aluminium with sealing ring

Pressure range: -0.9 ... 16 bar
Temperature range: -20 ... +80 °C

Note: Cannot be used as a rotary distributor.



Dimensions and ordering data												
Connection D1	Nominal size [mm]	Tubing I.D.	H1	H2	H3	L1	L2	G1	G2	Part No.	Type	PU*
M5	1.7	3	22.2	3.55	15.15	20.1	16.1	7	8	164 995	LCKN-M5-PK-3	10
	2.6	4	24.3	3.55	15.75	23.2	19.2	7	-	164 996	LCKN-M5-PK-4	10
G ¹ / ₈	1.7	3	24.6	4.7	15.9	25.4	18.9	13	8	164 997	LCKN- ¹ / ₈ -PK-3	10
	2.6	4	27	4.7	16.3	28.5	22	13	12	164 998	LCKN- ¹ / ₈ -PK-4	10
	4.6	6	30.3	4.7	18.6	28.6	22.1	13	14	164 999	LCKN- ¹ / ₈ -PK-6	10
G ¹ / ₄	2.6	4	29.5	5.8	17.7	28.5	22	17	12	165 000	LCKN- ¹ / ₄ -PK-4	10
	4.6	6	32.8	5.8	20.0	28.6	22.1	17	14	165 001	LCKN- ¹ / ₄ -PK-6	10
G ³ / ₈	4.6	6	33.8	6.0	20.8	28.6	22.1	19	14	165 002	LCKN- ³ / ₈ -PK-6	1

* Packaging unit quantity

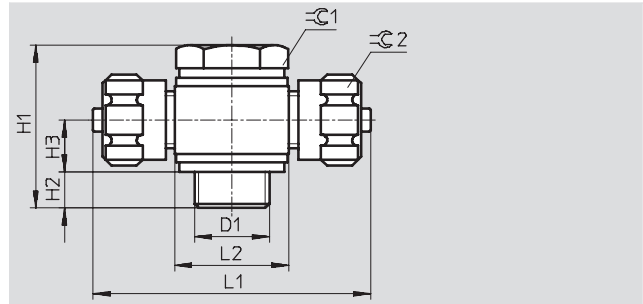
T quick connectors TCK

Technical data

FESTO

T quick connector TCK rotatable

Material:
Die-cast zinc with 2 sealing rings
Thread G $\frac{3}{8}$ and G $\frac{1}{2}$ aluminium, blue
anodised
Free of copper and PTFE



T quick connector TCK-...-KU

rotatable with moulded-on sealing
ring

Material:
Polyacetate
Free of copper and PTFE

Pressure range: 0 ... 10 bar
Temperature range: -10 ... +60 °C

Dimensions and ordering data												
Connection D1	Nominal size [mm]	Tubing I.D.	H1	H2	H3	L1	L2	≡C1	≡C2	Part No.	Type	PU*
Die-cast zinc design												
M5	2	3	17.2	3.8	5.2	32.2	10	7	8	4 484	TCK-M5-PK-3	10
	2	4	18	3.8	5.6	39.4	11	7	8	4 563	TCK-M5-PK-4	10
G $\frac{3}{8}$	2	3	21.1	4.9	6.1	38.2	16	13	8	4 137	TCK- $\frac{3}{8}$ -PK-3	10
	2.9	4	27.1	4.9	9.1	44.4	16	13	12	4 485	TCK- $\frac{3}{8}$ -PK-4	10
	4.9	6	27.1	4.9	9.1	44.6	16	13	14	4 486	TCK- $\frac{3}{8}$ -PK-6	10
G $\frac{1}{4}$	2.9	4	28.1	5.7	9.2	48.4	20	17	12	4 487	TCK- $\frac{1}{4}$ -PK-4	10
	4.9	6	28.1	5.5	9.3	48.6	20	17	14	4 488	TCK- $\frac{1}{4}$ -PK-6	10
Aluminium design												
G $\frac{3}{8}$	4.9	6	30.3	6.7	9.3	53.6	25	22	14	4 489	TCK- $\frac{3}{8}$ -PK-6	1
	8	9	35.3	6.7	11.8	60.2	25	22	14	4 490	TCK- $\frac{3}{8}$ -PK-9	1
G $\frac{1}{2}$	11.7	13	46.6	7.9	16.9	68.4	30	27	24	4 101	TCK- $\frac{1}{2}$ -PK-13	1
Polymer design												
G $\frac{1}{8}$	3.4	4	27.5	7.1	8.25	45	16	13	12	6 263	TCK- $\frac{1}{8}$ -PK-4-KU	10
	5.3	6	27.5	7.1	8.25	45	16	13	14	6 264	TCK- $\frac{1}{8}$ -PK-6-KU	10
G $\frac{1}{4}$	3.4	4	28.5	8.1	8.25	49	20	17	12	6 265	TCK- $\frac{1}{4}$ -PK-4-KU	10
	5.3	6	28.5	8.1	8.25	49	20	17	14	6 266	TCK- $\frac{1}{4}$ -PK-6-KU	10

* Packaging unit quantity

T quick connectors FCK

Technical data

FESTO

T-distributor FCK-...-KU

Material:

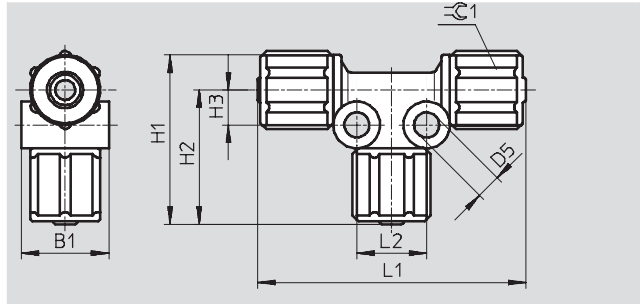
Polymer

Free of copper and PTFE

Conforms to RoHS

Pressure range: 0 ... 10 bar

Temperature range: -10 ... +60 °C



Dimensions and ordering data												
Tubing I.D.	Nominal size [mm]	B1	D5	H1	H2	H3	L1	L2	$\approx \varnothing 1$	Part No.	Type	PU*
3	2.4	11	4.3	23.8	19.8	5	39.6	10	8	6 273	FCK-3-PK-3-KU	10
4	3.4	15	4.3	30.2	24.2	6	48.4	12	12	6 274	FCK-3-PK-4-KU	10
6	5.3	18	4.3	31.2	24.2	6	48.4	12	14	6 275	FCK-3-PK-6-KU	10
9	8	22	4.3	38.3	28.8	7.1	56.4	13	19	6 276	FCK-3-PK-9-KU	10

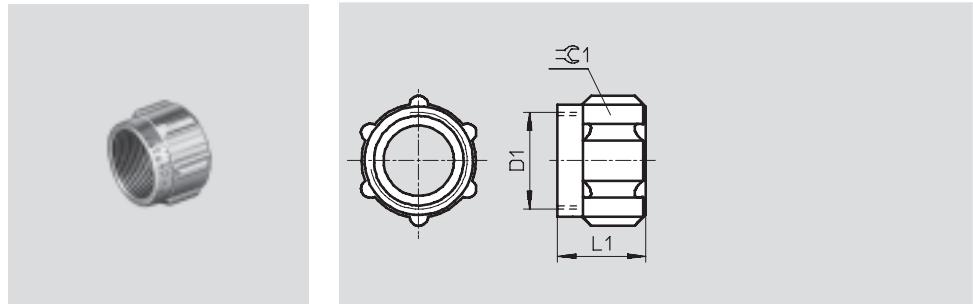
* Packaging unit quantity

Locknuts MCK

Technical data

Locknut MCK
for tube connectors

Material:
Blue anodised aluminium
Free of copper and PTFE
Conforms to RoHS



Locknut MCK-...-KU
for tube connectors

Material:
Polymer design
Free of copper and PTFE
Conforms to RoHS

Dimensions and ordering data						
Tubing I.D.	D1	L1	$\approx \text{C}1$	Part No.	Type	PU*
Aluminium design						
3	M6x0.75	8.5	8	205 254	MCK-PK-3	1
4	M10x1	11	12	2 965	MCK-PK-4 ¹⁾	1
4	M8x1	9.5	–	205 257	MCK-PK-4-R ²⁾	1
6	M12x1	11	14	2 966	MCK-PK-6	1
9	M16x1	14.4	19	2 967	MCK-PK-9	1
13	M22x1	18	24	206 504	MCK-PK-13	1
Polymer design						
3	M6x0.75	9.5	8	211 289	MCK-PK-3-KU	1
4	M10x1	12.5	12	211 291	MCK-PK-4-KU ¹⁾	1
6	M12x1	12.5	14	211 292	MCK-PK-6-KU	1
9	M16x1	16	19	211 293	MCK-PK-9-KU	1

* Packaging unit quantity

- 1) except for connectors CK-M5-PK-4, LCK-M5-PK-4, TCK-M5-PK-4
2) for connectors CK-M5-PK-4, LCK-M5-PK-4, TCK-M5-PK-4

Multiple distributors

Technical data

FESTO

Hollow bolt VT with ring piece LK
(one outlet connection)

Materials:

Hollow bolt: Galvanised steel

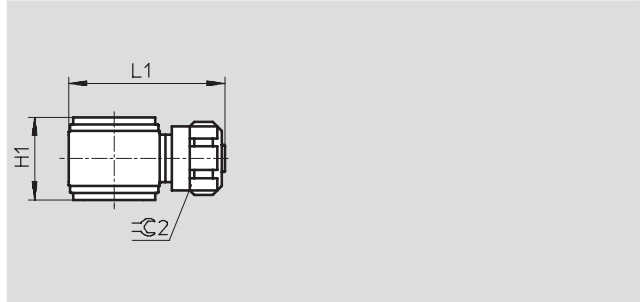
Ring piece LK: Die-cast zinc

Ring piece LK-...-KU: Polymer

Free of copper and PTFE

Certification:

Ring piece LK: Germanischer Lloyd



Ordering data				Dimensions → 18			
Hollow bolt				Ring piece			
Pneumatic connection	No. of ring pieces	Part No.	Type	Pneumatic connection	Part No.	Type	PU*
Die-cast zinc design							
M5	2	206 145	VT-M5-2 ³⁾	for 3 mm tubing	4 475	LK-M5-PK-3 ¹⁾	10
	3	4 594	VT-M5-3 ³⁾		4 476	LK-M5-PK-4 ¹⁾	
G ¹ / ₈	2	4 593	VT- ¹ / ₈ -2-PK-3 ³⁾	for 3 mm tubing	4 597	LK- ¹ / ₈ -PK-3 ¹⁾	10
	3	4 595	VT- ¹ / ₈ -3-PK-3		4 476	LK- ¹ / ₈ -PK-4 ¹⁾	
G ¹ / ₈	2	206 146	VT- ¹ / ₈ -2 ³⁾	for 4 mm tubing	4 476	LK- ¹ / ₈ -PK-4 ¹⁾	10
	3	4 596	VT- ¹ / ₈ -3 ³⁾		4 477	LK- ¹ / ₈ -PK-6 ¹⁾	
G ¹ / ₈	2	206 146	VT- ¹ / ₈ -2 ³⁾	for 6 mm tubing	4 477	LK- ¹ / ₈ -PK-6 ¹⁾	10
	3	4 596	VT- ¹ / ₈ -3 ³⁾		4 478	LK- ¹ / ₈ -PK-4 ¹⁾	
G ¹ / ₄	2	206 147	VT- ¹ / ₄ -2 ³⁾	for 4 mm tubing	4 478	LK- ¹ / ₄ -PK-4 ¹⁾	10
	3	2 335	VT- ¹ / ₄ -3 ³⁾		4 479	LK- ¹ / ₄ -PK-6 ¹⁾	
G ¹ / ₄	2	206 147	VT- ¹ / ₄ -2 ³⁾	for 6 mm tubing	4 479	LK- ¹ / ₄ -PK-6 ¹⁾	10
	3	2 335	VT- ¹ / ₄ -3 ³⁾		4 480	LK- ³ / ₈ -PK-6 ¹⁾	
G ³ / ₈	2	206 148	VT- ³ / ₈ -2 ³⁾	for 6 mm tubing	4 480	LK- ³ / ₈ -PK-6 ¹⁾	1
	3	2 336	VT- ³ / ₈ -3 ³⁾				
Polymer design							
G ¹ / ₈	2	206 146	VT- ¹ / ₈ -2 ³⁾	for 4 mm tubing	6 280	LK- ¹ / ₈ -PK-4-KU ²⁾ 3)	10
	3	4 596	VT- ¹ / ₈ -3 ³⁾		6 281	LK- ¹ / ₈ -PK-6-KU ²⁾ 3)	
G ¹ / ₈	2	206 146	VT- ¹ / ₈ -2 ³⁾	for 6 mm tubing	6 281	LK- ¹ / ₈ -PK-6-KU ²⁾ 3)	10
	3	4 596	VT- ¹ / ₈ -3 ³⁾		6 282	LK- ¹ / ₄ -PK-4-KU ²⁾ 3)	
G ¹ / ₄	2	206 147	VT- ¹ / ₄ -2 ³⁾	for 4 mm tubing	6 282	LK- ¹ / ₄ -PK-4-KU ²⁾ 3)	10
	3	2 335	VT- ¹ / ₄ -3 ³⁾		6 283	LK- ¹ / ₄ -PK-6-KU ²⁾ 3)	
G ¹ / ₄	2	206 147	VT- ¹ / ₄ -2 ³⁾	for 6 mm tubing	6 283	LK- ¹ / ₄ -PK-6-KU ²⁾ 3)	10
	3	2 335	VT- ¹ / ₄ -3 ³⁾				

* Packaging unit quantity

1) with 2 sealing rings

2) with moulded-on sealing ring, pressure range 0...10 bar, temperature range -10...+60 °C

3) Conforms to RoHS

Multiple distributors

Technical data

FESTO

Hollow bolt VT with ring piece TK (2 outlet connections)

Materials:

Hollow bolt: Galvanised steel

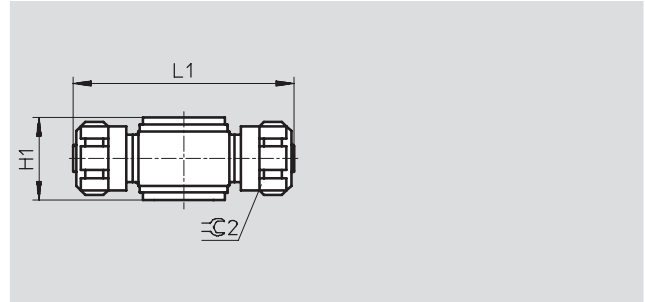
Ring piece TK: Die-cast zinc

Ring piece TK-...-KU: Polymer

Free of copper and PTFE

Certification:

Ring piece TK: Germanischer Lloyd



Ordering data				Dimensions → 18			
Hollow bolt				Ring piece			
Pneumatic connection	No. of ring pieces	Part No.	Type	Pneumatic connection	Part No.	Type	PU*
Die-cast zinc design							
M5	2	206 145	VT-M5-2 ³⁾	for 3 mm tubing	4 491	TK-M5-PK-3 ¹⁾	10
	3	4 594	VT-M5-3 ³⁾		4 492	TK-M5-PK-4 ¹⁾	10
G ¹ / ₈	2	4 593	VT- ¹ / ₈ -2-PK-3 ³⁾	for 3 mm tubing	4 598	TK- ¹ / ₈ -PK-3 ¹⁾	10
	3	4 595	VT- ¹ / ₈ -3-PK-3	for 4 mm tubing	4 492	TK- ¹ / ₈ -PK-4 ¹⁾	10
	2	206 146	VT- ¹ / ₈ -2 ³⁾		for 6 mm tubing	4 493	TK- ¹ / ₈ -PK-6 ¹⁾
	3	4 596	VT- ¹ / ₈ -3 ³⁾	for 4 mm tubing		4 494	TK- ¹ / ₈ -PK-4 ¹⁾
	2	206 146	VT- ¹ / ₈ -2 ³⁾		for 6 mm tubing	4 495	TK- ¹ / ₈ -PK-6 ¹⁾
	3	4 596	VT- ¹ / ₈ -3 ³⁾	4 496		TK- ³ / ₈ -PK-6 ¹⁾	1
G ¹ / ₄	2	206 147	VT- ¹ / ₄ -2 ³⁾	for 4 mm tubing	4 494	TK- ¹ / ₄ -PK-4 ¹⁾	10
	3	2 335	VT- ¹ / ₄ -3 ³⁾		for 6 mm tubing	4 495	TK- ¹ / ₄ -PK-6 ¹⁾
	2	206 147	VT- ¹ / ₄ -2 ³⁾	for 6 mm tubing		4 495	TK- ¹ / ₄ -PK-6 ¹⁾
	3	2 335	VT- ¹ / ₄ -3 ³⁾		4 496	TK- ³ / ₈ -PK-6 ¹⁾	1
G ³ / ₈	2	206 148	VT- ³ / ₈ -2 ³⁾		4 496	TK- ³ / ₈ -PK-6 ¹⁾	1
Polymer design							
G ¹ / ₈	2	206 146	VT- ¹ / ₈ -2 ³⁾	for 4 mm tubing	6 284	TK- ¹ / ₈ -PK-4-KU ²⁾ ³⁾	10
	3	4 596	VT- ¹ / ₈ -3 ³⁾	for 6 mm tubing	6 285	TK- ¹ / ₈ -PK-6-KU ²⁾ ³⁾	10
	2	206 146	VT- ¹ / ₈ -2 ³⁾		for 4 mm tubing	6 286	TK- ¹ / ₈ -PK-4-KU ²⁾ ³⁾
	3	4 596	VT- ¹ / ₈ -3 ³⁾	for 6 mm tubing		6 287	TK- ¹ / ₈ -PK-6-KU ²⁾ ³⁾
G ¹ / ₄	2	206 147	VT- ¹ / ₄ -2 ³⁾		for 4 mm tubing	6 286	TK- ¹ / ₄ -PK-4-KU ²⁾ ³⁾
	3	2 335	VT- ¹ / ₄ -3 ³⁾	for 6 mm tubing		6 287	TK- ¹ / ₄ -PK-6-KU ²⁾ ³⁾
	2	206 147	VT- ¹ / ₄ -2 ³⁾		for 6 mm tubing	6 287	TK- ¹ / ₄ -PK-6-KU ²⁾ ³⁾
	3	2 335	VT- ¹ / ₄ -3 ³⁾				

* Packaging unit quantity

1) with 2 sealing rings

2) with moulded-on sealing ring, pressure range 0...10 bar, temperature range -10...+60 °C

3) Conforms to RoHS

Multiple distributors

Technical data

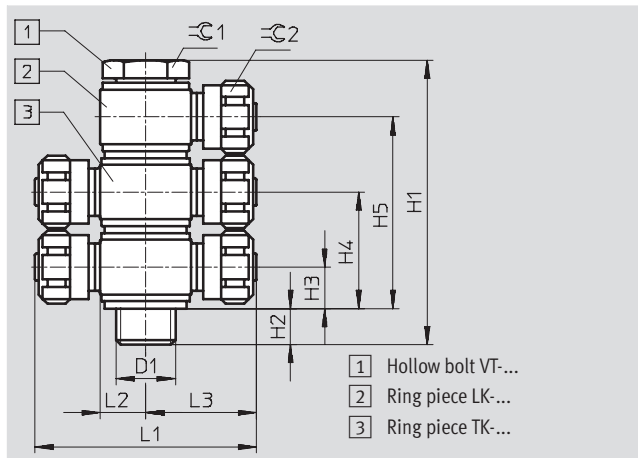
Multiple distributor

consisting of:

- Hollow bolt VT and ring piece LK
→ 16

or

- Hollow bolt VT and ring piece TK
→ 17



Dimensions													
Connection D1	Hollow bolt Type	Ring piece Type	H1	H2	H3	H4	H5	L1	L2	L3	⌀G1	⌀G2	
M5	VT-M5-2	LK-M5-PK-3	27.3	4	5.2	15.1	-	-	5	16.1	7	8	
		TK-M5-PK-3							32.2				
	VT-M5-3	LK-M5-PK-3	37.1	3.9	5.2	15.1	25	-	5	16.1	7	8	
		TK-M5-PK-3							32.2				
G1/8	VT-1/8-2-PK-3	LK-1/8-PK-3	31.8	5	6.1	16.7	-	-	8	19.1	13	8	
		TK-1/8-PK-3							38.2				
	VT-1/8-3-PK-3	LK-1/8-PK-3	42.4	5	6.1	16.7	27.3	-	8	19.1	13	8	
		TK-1/8-PK-3							38.2				
	VT-1/8-2	LK-1/8-PK-4	44	5.2	9.1	25.7	-	-	8	22.2	13	12	
									TK-1/8-PK-4				44.4
		LK-1/8-PK-6							8	22.3			14
									TK-1/8-PK-6				
	VT-1/8-3	LK-1/8-PK-4	60.8	5.4	9.1	25.7	42.3	-	8	22.2	13	12	
									TK-1/8-PK-4				44.4
		LK-1/8-PK-6							8	22.3			14
									TK-1/8-PK-6				
G1/4	VT-1/4-2	LK-1/4-PK-4	44.7	6.1	9.2	25.4	-	-	10	24.2	17	12	
									TK-1/4-PK-4				48.4
		LK-1/4-PK-6		5.7	9.3	25.7		10	24.3	14			
				TK-1/4-PK-6				48.6					
	VT-1/4-3	LK-1/4-PK-4	61.9	6.1	9.2	25.4	41.6	-	10	24.2	17	12	
									TK-1/4-PK-4				48.4
		LK-1/4-PK-6		5.5	9.3	25.7		42.1	10	24.3			14
				TK-1/4-PK-6					48.6				
G3/8	VT-3/8-2	LK-3/8-PK-6	46.9	6.9	9.3	25.7	-	-	12.5	26.8	22	14	
		TK-3/8-PK-6							53.6				
	VT-3/8-3	LK-3/8-PK-6	63.1	6.7	9.3	25.7	42.1	-	12.5	26.8	22	14	
		TK-3/8-PK-6							53.6				

Do not use for new designs!

- - Types ACX, CX, LCX, TCX discontinued

FESTO

Quick connectors ACX/CX, metal braided hose

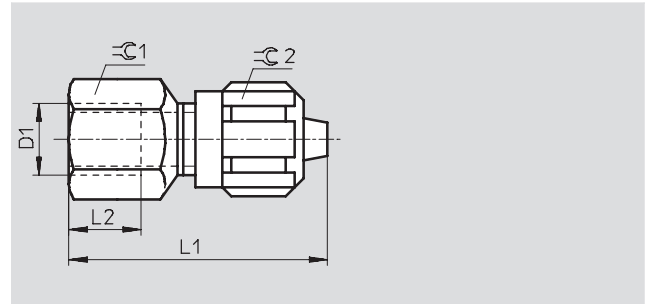
Technical data

Quick connector ACX

Female thread with sealing ring for metal braided hose PX

Material:

Anodised aluminium



Dimensions and ordering data									
Connection	Nominal size	Tubing I.D.	L1	L2	≈C1	≈C2	Part No.	Type	PU*
D1	[mm]								
G ¹ / ₈	3.5	4	35	10	13	12	4 032	ACX- ¹ / ₈ -PX-4	1
G ¹ / ₄	5	6	43	12	17	14	4 033	ACX- ¹ / ₄ -PX-6	1
G ³ / ₈	8	9	54	15	22	19	4 034	ACX- ³ / ₈ -PX-9	1

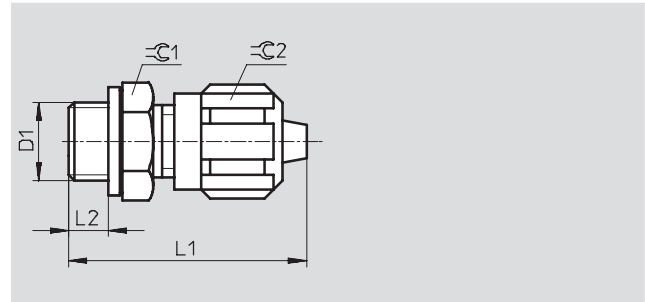
* Packaging unit quantity

Quick connector CX

Male thread with sealing ring for metal braided hose PX

Material:

Anodised aluminium



Dimensions and ordering data									
Connection	Nominal size	Tubing I.D.	L1	L2	≈C1	≈C2	Part No.	Type	PU*
D1	[mm]								
G ¹ / ₈	3.5	4	31.5	4.9	13	12	4 035	CX- ¹ / ₈ -PX-4	10
	5	6	36.5	4.9	13	14	4 453	CX- ¹ / ₈ -PX-6	10
G ¹ / ₄	3.5	4	34	5.8	17	12	4 454	CX- ¹ / ₄ -PX-4	10
	5	6	39	5.8	17	14	4 036	CX- ¹ / ₄ -PX-6	10
G ³ / ₈	8	9	47	6.8	22	19	4 037	CX- ³ / ₈ -PX-9	1

* Packaging unit quantity

Do not use for new designs!

-  - Types ACX, CX, LCX, TCX discontinued

Quick connectors LCX/TCX, metal braided hose

Technical data

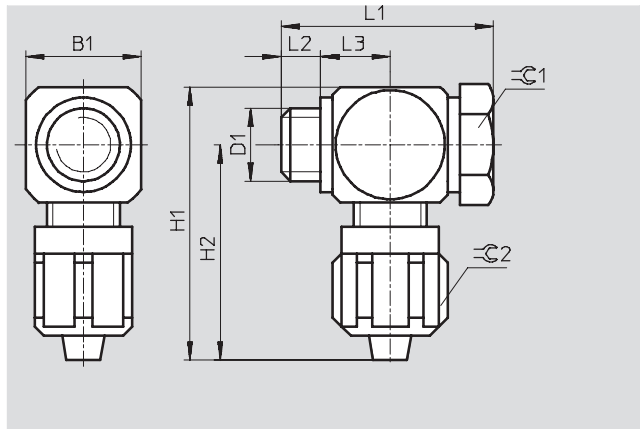
FESTO

Elbow quick connector LCX

rotatable with 2 sealing rings for metal braided hose PX

Material:

Anodised aluminium



Dimensions and ordering data

Connection D1	Nominal size [mm]	Tubing I.D.	B1	L1	L2	L3	H1	H2	≙C1	≙C2	Part No.	Type	PU*
G $\frac{1}{8}$	3.5	4	16	27.1	4.7	9.2	39.5	31.5	13	14	4 041	LCX- $\frac{1}{8}$ -PX-4	1
G $\frac{1}{4}$	5	6	20	34.3	5.7	11.8	46	36	17	17	4 042	LCX- $\frac{1}{4}$ -PX-6	1
G $\frac{3}{8}$	8	9	25	41.3	6.7	14.3	58	45.5	22	22	4 043	LCX- $\frac{3}{8}$ -PX-9	1

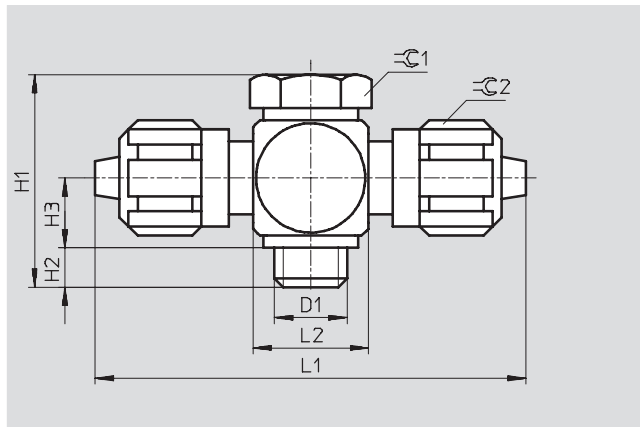
* Packaging unit quantity

T quick connector TCX

rotatable with 2 sealing rings for metal braided hose PX

Material:

Anodised aluminium



Dimensions and ordering data

Connection D1	Nominal size [mm]	Tubing I.D.	H1	H2	H3	L1	L2	≙C1	≙C2	Part No.	Type	PU*
G $\frac{1}{8}$	3.5	4	27.1	4.7	9.2	63	16	13	14	4 044	TCX- $\frac{1}{8}$ -PX-4	1
G $\frac{1}{4}$	5	6	34.3	5.7	11.8	72	20	17	17	4 045	TCX- $\frac{1}{4}$ -PX-6	1
G $\frac{3}{8}$	8	9	41.3	6.7	14.3	91	25	22	22	4 046	TCX- $\frac{3}{8}$ -PX-9	1

* Packaging unit quantity

Product Range and Company Overview

A Complete Suite of Automation Services

Our experienced engineers provide complete support at every stage of your development process, including: conceptualization, analysis, engineering, design, assembly, documentation, validation, and production.



Custom Automation Components
Complete custom engineered solutions



Custom Control Cabinets
Comprehensive engineering support and on-site services



Complete Systems
Shipment, stocking and storage services

The Broadest Range of Automation Components

With a comprehensive line of more than 30,000 automation components, Festo is capable of solving the most complex automation requirements.



Electromechanical
Electromechanical actuators, motors, controllers & drives



Pneumatics
Pneumatic linear and rotary actuators, valves, and air supply



PLCs and I/O Devices
PLC's, operator interfaces, sensors and I/O devices

Supporting Advanced Automation... As No One Else Can!

Festo is a leading global manufacturer of pneumatic and electromechanical systems, components and controls for industrial automation, with more than 12,000 employees in 56 national headquarters serving more than 180 countries. For more than 80 years, Festo has continuously elevated the state of manufacturing with innovations and optimized motion control solutions that deliver higher performing, more profitable automated manufacturing and processing equipment. Our dedication to the advancement of automation extends beyond technology to the education and development of current and future automation and robotics designers with simulation tools, teaching programs, and on-site services.

Quality Assurance, ISO 9001 and ISO 14001 Certifications

Festo Corporation is committed to supply all Festo products and services that will meet or exceed our customers' requirements in product quality, delivery, customer service and satisfaction.

To meet this commitment, we strive to ensure a consistent, integrated, and systematic approach to management that will meet or exceed the requirements of the ISO 9001 standard for Quality Management and the ISO 14001 standard for Environmental Management.



© Copyright 2008, Festo Corporation. While every effort is made to ensure that all dimensions and specifications are correct, Festo cannot guarantee that publications are completely free of any error, in particular typing or printing errors. Accordingly, Festo cannot be held responsible for the same. For Liability and Warranty conditions, refer to our "Terms and Conditions of Sale", available from your local Festo office. All rights reserved. No part of this publication may be reproduced, distributed, or transmitted in any form or by any means, electronic, mechanical, photocopying or otherwise, without the prior written permission of Festo. All technical data subject to change according to technical update.



Printed on recycled paper at New Horizon Graphic, Inc., FSC certified as an environmentally friendly printing plant.

Festo North America

Festo Regional Contact Center

5300 Explorer Drive
Mississauga, Ontario L4W 5G4
Canada

USA Customers:

For ordering assistance,

Call: 1.800.99.FESTO (1.800.993.3786)

Fax: 1.800.96.FESTO (1.800.963.3786)

Email: customer.service@us.festo.com

For technical support,

Call: 1.866.GO.FESTO (1.866.463.3786)

Fax: 1.800.96.FESTO (1.800.963.3786)

Email: product.support@us.festo.com

Canadian Customers:

Call: 1.877.GO.FESTO (1.877.463.3786)

Fax: 1.877.FX.FESTO (1.877.393.3786)

Email: festo.canada@ca.festo.com

USA Headquarters

Festo Corporation
395 Moreland Road
P.O. Box 18023
Hauppauge, NY 11788, USA
www.festo.com/us

USA Sales Offices

Appleton

North 922 Tower View Drive, Suite N
Greenville, WI 54942, USA

Boston

120 Presidential Way, Suite 330
Woburn, MA 01801, USA

Chicago

1441 East Business Center Drive
Mt. Prospect, IL 60056, USA

Dallas

1825 Lakeway Drive, Suite 600
Lewisville, TX 75057, USA

Detroit – Automotive Engineering Center

2601 Cambridge Court, Suite 320
Auburn Hills, MI 48326, USA

New York

395 Moreland Road
Hauppauge, NY 11788, USA

Silicon Valley

4935 Southfront Road, Suite F
Livermore, CA 94550, USA

United States



USA Headquarters, East: Festo Corp., 395 Moreland Road, Hauppauge, NY 11788

Phone: 1.631.435.0800; Fax: 1.631.435.8026;

Email: info@festo-usa.com

www.festo.com/us

Canada



Headquarters: Festo Inc., 5300 Explorer Drive, Mississauga, Ontario L4W 5G4

Phone: 1.905.624.9000; Fax: 1.905.624.9001;

Email: festo.canada@ca.festo.com

www.festo.ca

Mexico



Headquarters: Festo Pneumatic, S.A., Av. Ceylán 3, Col. Tequesquahuac,
54020 Tlalneantla, Edo. de México

Phone: 011 52 [55] 53 21 66 00; Fax: 011 52 [55] 53 21 66 65;

Email: festo.mexico@mx.festo.com

www.festo.com/mx

Central USA

Festo Corporation
1441 East Business
Center Drive
Mt. Prospect, IL 60056, USA
Phone: 1.847.759.2600
Fax: 1.847.768.9480



Western USA

Festo Corporation
4935 Southfront Road,
Suite F
Livermore, CA 94550, USA
Phone: 1.925.371.1099
Fax: 1.925.245.1286



Festo Worldwide

Argentina Australia Austria Belarus Belgium Brazil Bulgaria Canada Chile China Colombia Croatia Czech Republic Denmark
Estonia Finland France Germany Great Britain Greece Hong Kong Hungary India Indonesia Iran Ireland Israel Italy Japan Latvia
Lithuania Malaysia Mexico Netherlands New Zealand Norway Peru Philippines Poland Romania Russia Serbia Singapore
Slovakia Slovenia South Africa South Korea Spain Sweden Switzerland Taiwan Thailand Turkey Ukraine United States Venezuela

www.festo.com