

Mounting plates VN-T



Mounting plates VN-T

Technical data

Mounting plate VN-T...-NRH

for vacuum generator VN

→ Internet: vn
for mounting on H-rail or via through-hole

Ambient temperature: 0 ... +60 °C

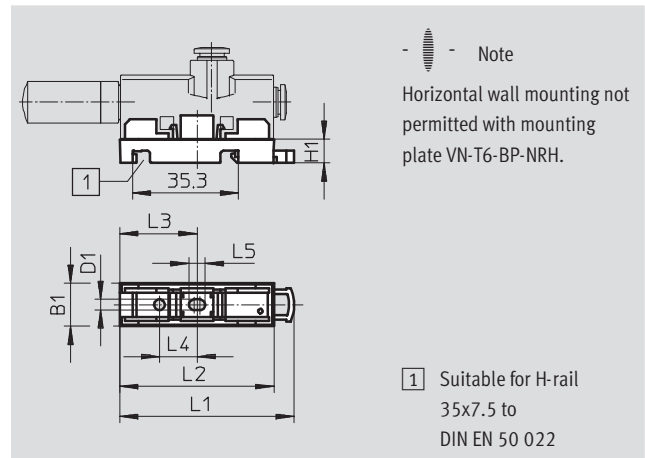
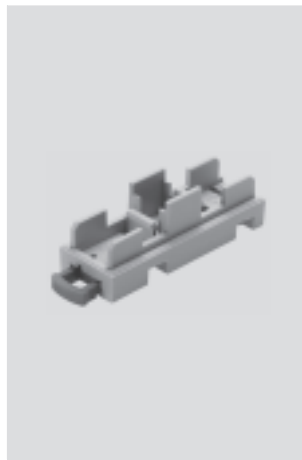
Material:


Plate VN-T2/T3/T4: Polyacetate, reinforced

Plate VN-T6: Polyamide, reinforced

Slide: Polyacetate

Free of copper and PTFE



Dimensions and ordering data												
Width [mm]	B1	D1	H1	L1	L2	L3	L4	L5	CRC ¹⁾	Weight [g]	Part No.	Type
10	10.4	3.5	8	56.5	51	25.5	12.5	5.5	2	3.5	196 951	VN-T2-BP-NRH
14	14.4	3.5	8	57.9	51.2	25.6	12.5	5.5	2	4.5	193 641	VN-T3-BP-NRH
18	18.4										195 279	VN-T4-BP-NRH
24	24	4.3	7.3	98	91	45.5	32.5	6.3	2	12.4	196 956	VN-T6-BP-NRH  New

1) Corrosion resistance class 2 according to Festo standard 940 070

Components requiring moderate corrosion resistance. Externally visible parts with primarily decorative surface requirements which are in direct contact with a normal industrial environment or media such as coolants or lubricating agents.

Mounting plate VN-T

for vacuum generators VN-A/B/M

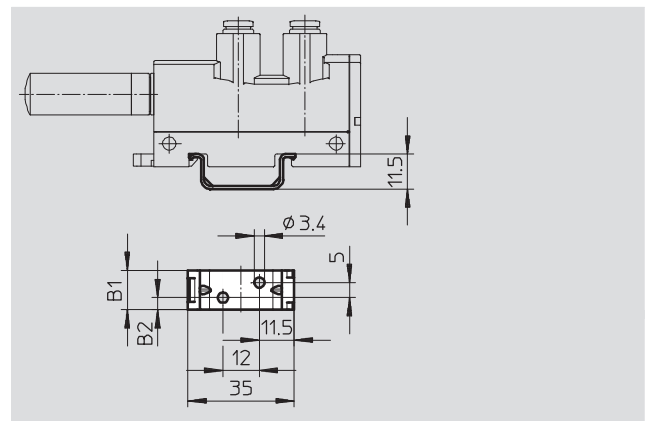
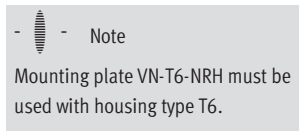
→ Internet: vn

For wall mounting with through hole for housing type T3/T4

Material:

Plate: Galvanised steel

Free of copper and PTFE



Dimensions and ordering data						
Width [mm]	B1	B2	CRC ¹⁾	Weight [g]	Part No.	Type
14	13	4	2	4.8	547 436	VN-T3-BP
18	17	6		6.4	547 437	VN-T4-BP

1) Corrosion resistance class 2 according to Festo standard 940 070

Components requiring moderate corrosion resistance. Externally visible parts with primarily decorative surface requirements which are in direct contact with a normal industrial environment or media such as coolants or lubricating agents.