

Hand lever valves VHER, NPT




Hand lever valves VHER, NPT

Key features

FESTO



Powerful

-  - Flow rate
600 ... 4,300 l/min

Versatile

- 4/3-way valve
Mid-position closed
Mid-position exhausted
- Connection NPT $\frac{1}{8}$ -27, NPT $\frac{1}{4}$ -18,
NPT $\frac{1}{2}$ -14
- 3/3-way valve
The hand lever valve VHER can be used as a 3/3-way valve by sealing port 2

Practical

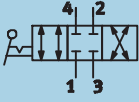
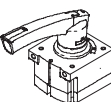
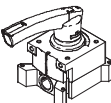
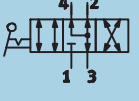
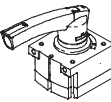
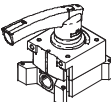
These valves can be used to stop single-acting cylinders (3/3-way valve) or double-acting cylinders (4/3-way valve) within the stroke range.

With the mid-position closed, the drive piston moves until the forces are balanced.

With the mid-position exhausted, the piston can be moved manually (only the frictional forces have to be overcome).

Hand lever valves VHER, NPT

Product range overview

Function	Version	Type	Nominal flow rate	Lever		Connection size			→ Page/ Internet
			[l/min]	Small	Large	NPT ¹ / ₈ -27	NPT ¹ / ₄ -18	NPT ¹ / ₂ -14	
	Port underneath								
		VHER-AH-M04C-N18-UD	800	■	-	■	-	-	7
		VHER-AH-M04C-N14-UD	1,500	-	■	-	■	-	
		VHER-AH-M04C-N12-UD	4,300	-	■	-	-	■	
	Port at side								
		VHER-AH-M04C-N18-LD	600	■	-	■	-	-	7
VHER-AH-M04C-N14-LD		1,150	-	■	-	■	-		
VHER-AH-M04C-N12-LD		3,500	-	■	-	-	■		
	Port underneath								
		VHER-AH-M04E-N18-UD	800	■	-	■	-	-	7
		VHER-AH-M04E-N14-UD	1,500	-	■	-	■	-	
		VHER-AH-M04E-N12-UD	4,300	-	■	-	-	■	
	Port at side								
		VHER-AH-M04E-N18-LD	600	■	-	■	-	-	7
VHER-AH-M04E-N14-LD		1,150	-	■	-	■	-		
VHER-AH-M04E-N12-LD		3,500	-	■	-	-	■		

Hand lever valves VHER, NPT

Type codes

VHER		AH		M04C		N18		LD	
Type									
VHER	Hand lever valve with detent								
Design									
AH	Metal lever								
Valve function									
M04C	4/3-way valve, mid-position closed								
M04E	4/3-way valve, mid-position exhausted								
Connection size									
N18	NPT ¹ / ₈ -27								
N14	NPT ¹ / ₄ -18								
N12	NPT ¹ / ₂ -14								
Type of connection									
LD	To the side								
UD	Underneath								

Hand lever valves VHER, NPT

Overview of peripherals

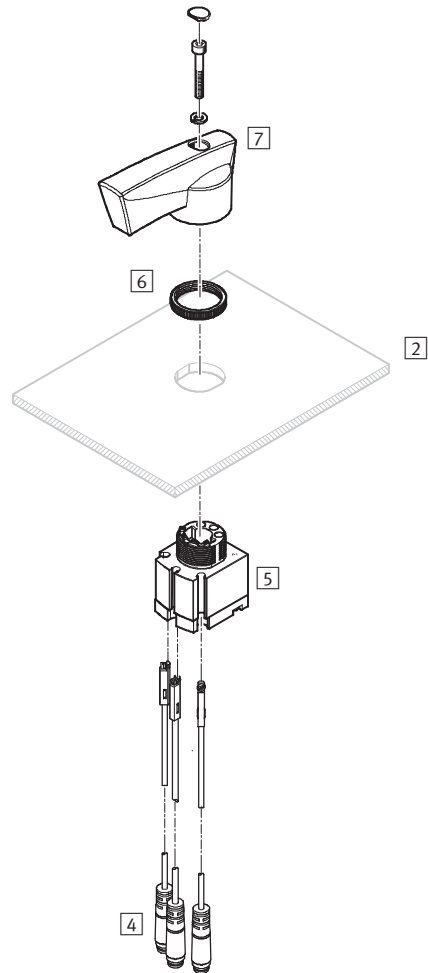
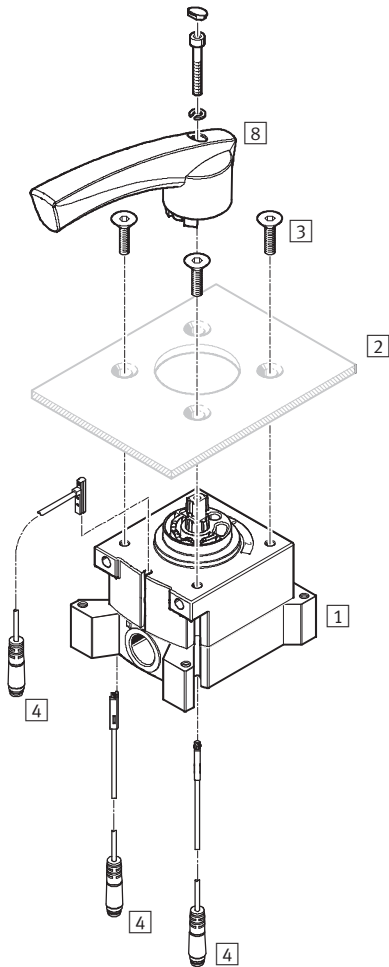
Control panel installation

Connection size (large): VHER...N14-LD, VHER...N12-LD

Type of connection: To the side

Connection size (small): VHER...N18-UD

Type of connection: Underneath



Component parts and accessories	Brief description	→ Page/Internet
1 Hand lever valve VHER	Connection size NPT $\frac{1}{4}$ -18 and NPT $\frac{1}{2}$ -14	7
2 Control panel	Not included in the scope of delivery	-
3 Mounting screws	Not included in the scope of delivery	-
4 Proximity sensors SME-10-... L, SME-10-... Q	Not included in the scope of delivery	sme
5 Hand lever valve VHER	Connection size NPT $\frac{1}{8}$ -27	7
6 Knurled nut	Control panel mounting	-
7 Actuating lever	Small, metal	
8 Actuating lever	Large, metal	

Hand lever valves VHER, NPT

Overview of peripherals

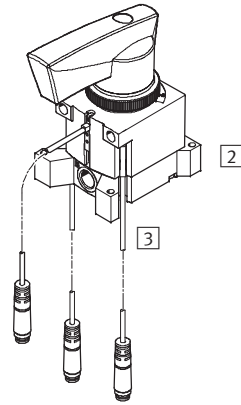
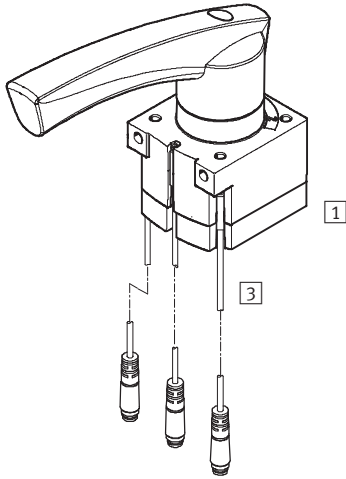
Assembled valves with accessories

Connection size (large): VHER...N14-UD, VHER...N12-UD

Type of connection: Underneath

Connection size (small): VHER...N18-LD




Type of connection: To the side



Component parts and accessories	Brief description	→ Page/Internet
1 Hand lever valve VHER	Connection size NPT $\frac{1}{4}$ -18 and NPT $\frac{1}{2}$ -14 with metal lever	7
2 Hand lever valve VHER	Connection size NPT $\frac{1}{8}$ -27 with metal lever	7
3 Proximity sensors SME-10-... L, SME-10-... Q	Not included in the scope of delivery	sme

Hand lever valves VHER, NPT

Technical data – VHER with metal lever

-  Flow rate
600 ... 4,300 l/min
-  Pressure
-0.95 ... +10 bar
-  Temperature range
-20 ... +80 °C



General technical data					
Connection size		NPT $\frac{1}{8}$ -27	NPT $\frac{1}{4}$ -18	NPT $\frac{1}{2}$ -14	
Valve function		4/3-way, closed or exhausted			
Design		Rotary slide valve			
Sealing principle		Hard			
Type of mounting		Option of front panel mounting or via through-holes			
Type of control		Direct			
Actuation type		Manual			
Actuating lever		Metal			
Switching position display		Via accessories			
Mounting position		Any			
Direction of flow		Reversible			
Non-overlapping		Yes			
Exhaust function		Flow control			
Standard nominal flow rate	Port at side	[l/min]	600	1,150	3,500
	Port underneath	[l/min]	800	1,500	4,300
Nominal size		[mm]	6	8	12
Pneumatic connection 1,2,3,4			NPT $\frac{1}{8}$ -27	NPT $\frac{1}{4}$ -18	NPT $\frac{1}{2}$ -14
Actuating torque at 10 bar		[Nm]	1.1	2.8	5

Operating and environmental conditions	
Operating medium	Filtered compressed air, lubricated or unlubricated, grade of filtration 40 µm
Operating pressure	[bar] -0.95 ... 10
Ambient temperature	[°C] -20 ... +80
Corrosion resistance	[CRC] 2 ¹⁾

1) Corrosion resistance class 2 according to Festo standard 940 070
Components subject to moderate corrosion stress. Externally visible parts with primarily decorative surface requirements which are in direct contact with a normal industrial environment or media such as coolants or lubricating agents.

Proximity sensors for switching position display			
Connection size	Connection direction	Type	
		SME-10-... L	SME-10-... Q
NPT $\frac{1}{8}$ -27	Underneath (UD)	■	■
	At the side (LD)	-	■
NPT $\frac{1}{4}$ -18	Underneath	■	■
	At the side	-	■
NPT $\frac{1}{2}$ -14	Underneath	■	■
	At the side	-	■

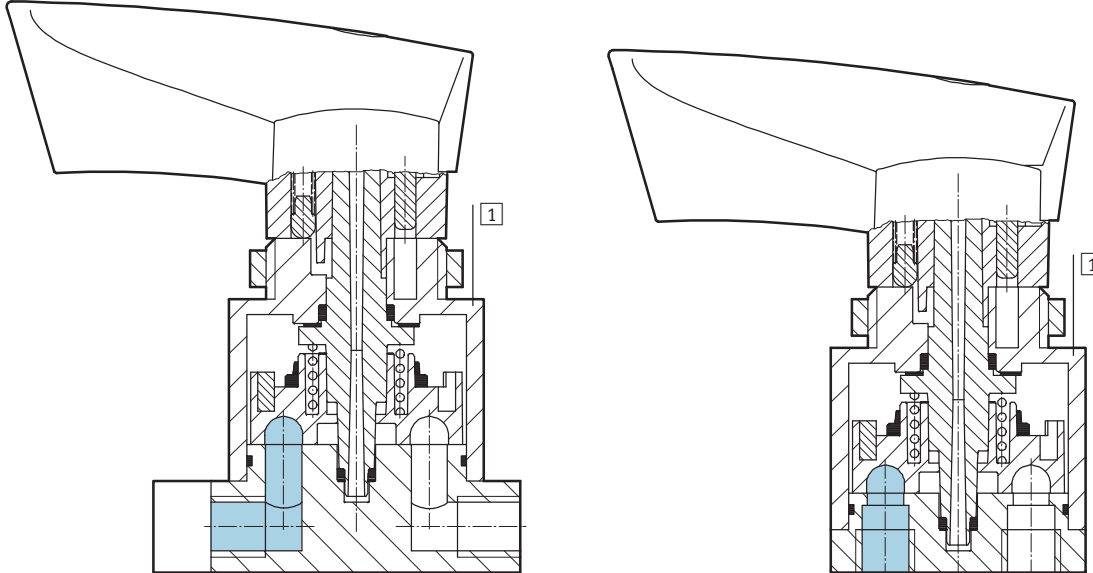
Hand lever valves VHER, NPT

Technical data – VHER with metal lever

FESTO

Sectional view

Hand lever valve VHER-AH



Materials

1	Housing	Die-cast aluminium
-	Seals	Nitrile rubber
-		Contains PWIS (paint wetting impairment substances)
-		Free of copper and PTFE

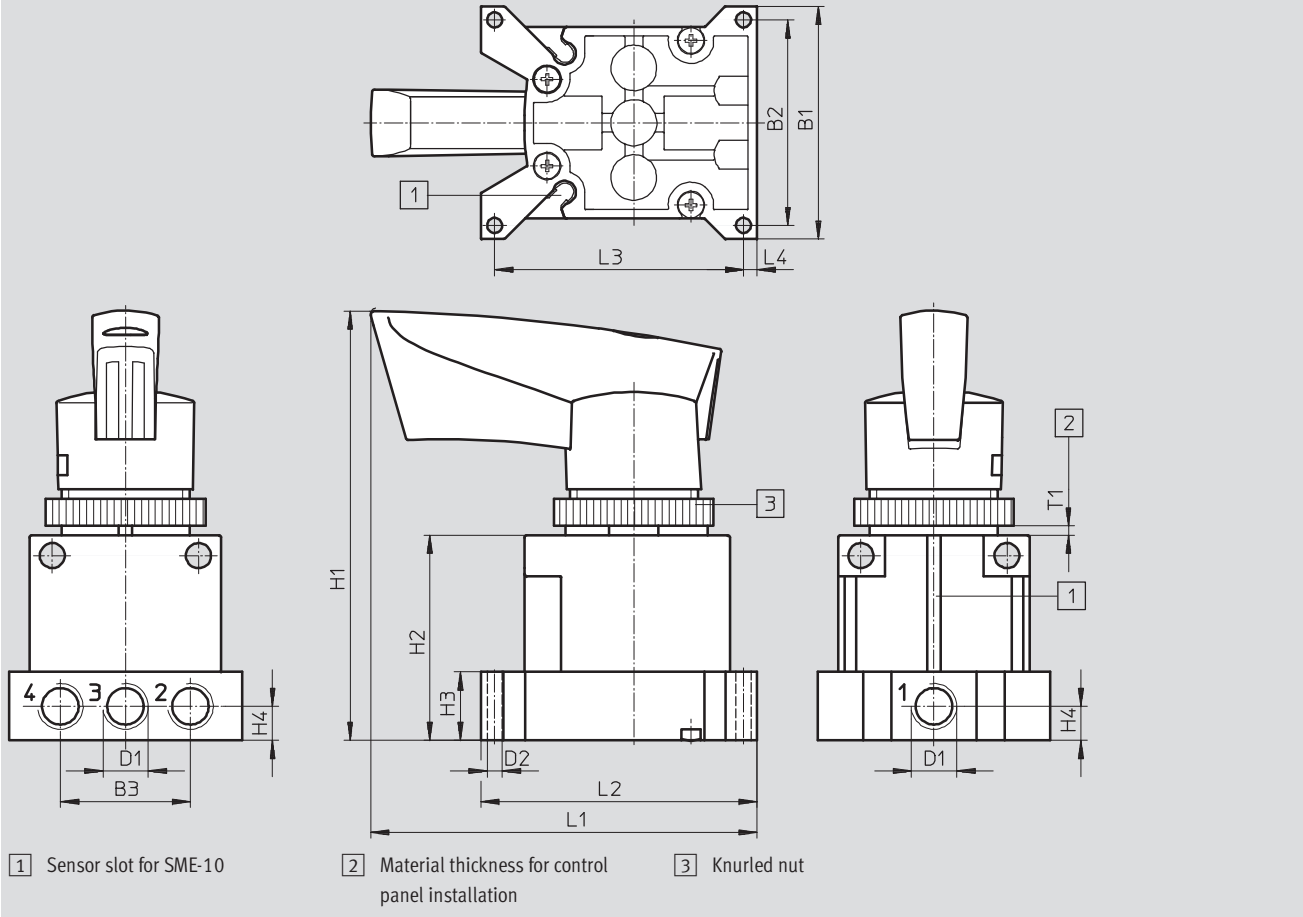
Hand lever valves VHER, NPT

Technical data – VHER with metal lever

Dimensions

Download CAD data → www.festo.com

Pneumatic connection NPT $\frac{1}{8}$ -27, at the side



Type	B1	B2	B3	D1	D2 Ø	H1	H2	H3	H4	L1	L2	L3	L4	T1
VHER-AH-...-N18-LD	51	45	28.5	$\frac{1}{8}$ NPT	3	94	45	15	7.5	85	60.5	54.5	3	2 ... 4

Hand lever valves VHER, NPT

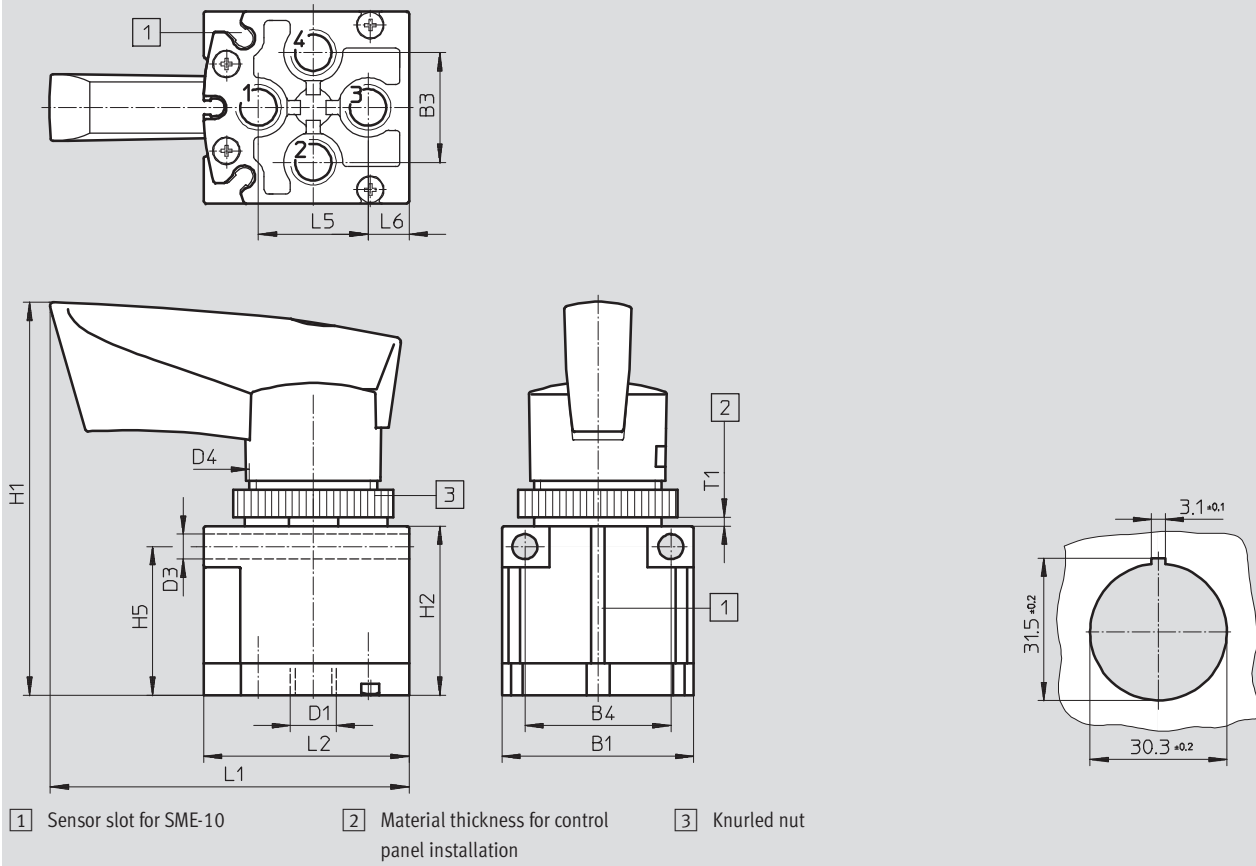
Technical data – VHER with metal lever

Dimensions

Pneumatic connection NPT $\frac{1}{8}$ -27, underneath

Download CAD data → www.festo.com

Mounting aperture



Type	B1	B3	B4	D1	D3 ∅	D4	H1	H2	H5	L1	L2	L5	L6	T1
VHER-AH-...-N18-UD	42	24	32	1/8NPT	5.5	M30	87	37	32.5	79	45	24	9	2 ... 4

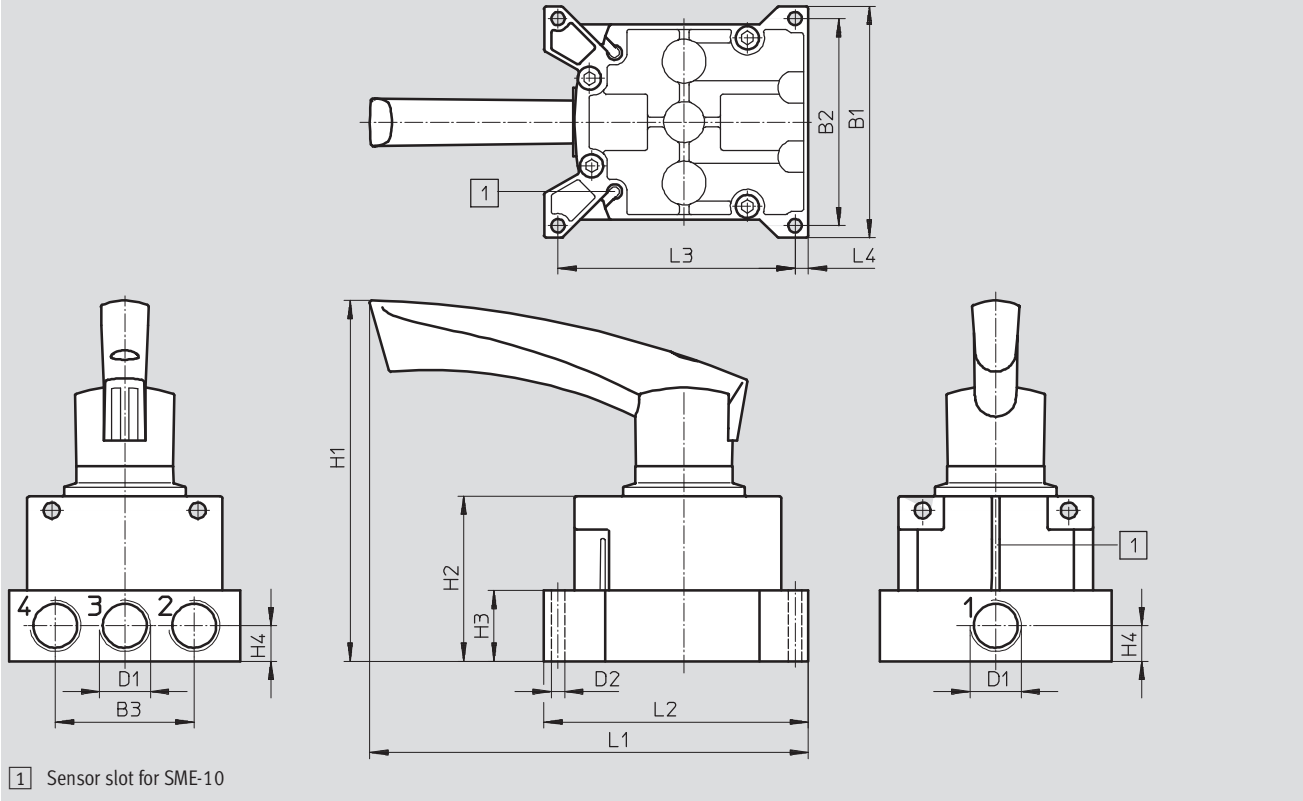
Hand lever valves VHER, NPT

Technical data – VHER with metal lever

Dimensions

Download CAD data → www.festo.com

Pneumatic connection NPT $\frac{1}{4}$ -18 and NPT $\frac{1}{2}$ -14, at the side



Type	B1	B2	B3	D1	D2 ∅	H1	H2	H3	H4	L1	L2	L3	L4
VHER-AH-...-N14-LD	66	57.5	37.5	1/4NPT	4.5	136	56	20.5	10.3	165	77	69.2	4
VHER-AH-...-N12-LD	95	85	57	1/2NPT	5.5	149	68	29	14.5	180	108.5	97.3	5.5

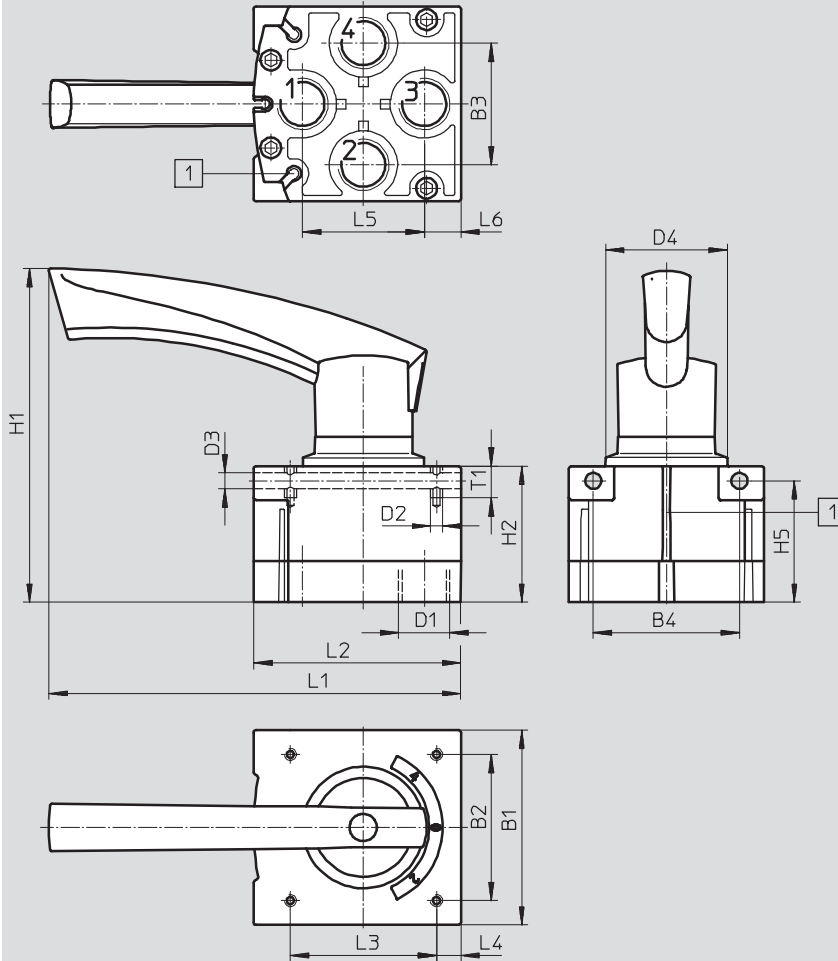
Hand lever valves VHER, NPT

Technical data – VHER with metal lever

Dimensions

Download CAD data → www.festo.com

Pneumatic connection NPT $\frac{1}{4}$ -18 and NPT $\frac{1}{2}$ -14, underneath



1 Sensor slot for SME-10

Type	B1	B2	B3	B4	D1	D2	D3 ∅	D4 ∅	H1	H2	H5	L1	L2	L3	L4	L5	L6	T1
VHER-AH-...-N14-UD	56	42	33	42	1/4NPT	M5	5.5	40	130	49	43.5	157	60	42	7.2	33	11.4	12
VHER-AH-...-N12-UD	80	60	50	60	1/2NPT	M6	6.4	50	137	55.8	49.8	169	85	60	10	50	15	13

Hand lever valves VHER, NPT

Accessories


Ordering data								
Circuit symbol	Description	Weight [g]	Connection direction	Connection size	Part No.	Type		
4/3-way valve ¹⁾								
	Mid-position closed	260	At the side	NPT ¹ / ₈ -27	545260	VHER-AH-M04C-N18-LD		
		560		NPT ¹ / ₄ -18	545264	VHER-AH-M04C-N14-LD		
		1,010		NPT ¹ / ₂ -14	545268	VHER-AH-M04C-N12-LD		
				220	Underneath	NPT ¹ / ₈ -27	545261	VHER-AH-M04C-N18-UD
				510		NPT ¹ / ₄ -18	545265	VHER-AH-M04C-N14-UD
				860		NPT ¹ / ₂ -14	545269	VHER-AH-M04C-N12-UD
	Mid-position exhausted	260	At the side	NPT ¹ / ₈ -27	545262	VHER-AH-M04E-N18-LD		
		560		NPT ¹ / ₄ -18	545266	VHER-AH-M04E-N14-LD		
		1,010		NPT ¹ / ₂ -14	545270	VHER-AH-M04E-N12-LD		
				220	Underneath	NPT ¹ / ₈ -27	545263	VHER-AH-M04E-N18-UD
				510		NPT ¹ / ₄ -18	545267	VHER-AH-M04E-N14-UD
				860		NPT ¹ / ₂ -14	545271	VHER-AH-M04E-N12-UD

1) The hand lever valve can be used as a 3/3-way valve by sealing port 2.

Hand lever valves VHER, NPT

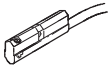
Accessories

FESTO

Ordering data					
Description		Pneumatic connection		Part No.	Type
Blanking plug					
	For sealing ports	NPT $\frac{1}{8}$ -27		173985	B- $\frac{1}{8}$ -NPT
		NPT $\frac{1}{2}$ -14		31785	B- $\frac{1}{2}$ -NPT

Ordering data QS fittings					
Part No.	Type	Part No.	Type	Part No.	Type
VHER-...-N18-UD		VHER-...-N14-UD		VHER-...-N12-UD	
153601	QS- $\frac{1}{8}$ - $\frac{5}{32}$ -U	153602	QS- $\frac{1}{4}$ - $\frac{5}{32}$ -U	153613	QS- $\frac{1}{2}$ - $\frac{3}{8}$ -U
153903	QSM- $\frac{1}{8}$ - $\frac{1}{8}$ -U	153604	QS- $\frac{1}{4}$ - $\frac{3}{16}$ -U	153615	QS- $\frac{1}{2}$ - $\frac{1}{2}$ -U
190677	QSM- $\frac{1}{8}$ - $\frac{5}{32}$ -U	153606	QS- $\frac{1}{4}$ - $\frac{1}{4}$ -U	190698	QS- $\frac{1}{2}$ - $\frac{1}{2}$ -U
190688	QS- $\frac{1}{8}$ - $\frac{5}{32}$ -I-U	153609	QS- $\frac{1}{4}$ - $\frac{5}{16}$ -U		
190690	QS- $\frac{1}{8}$ - $\frac{1}{4}$ -I-U	190692	QS- $\frac{1}{4}$ - $\frac{1}{4}$ -I-U		
190691	QS- $\frac{1}{8}$ - $\frac{5}{16}$ -I-U	190693	QS- $\frac{1}{4}$ - $\frac{5}{16}$ -I-U		
190685	QSM- $\frac{1}{8}$ - $\frac{5}{32}$ -I-U	190694	QS- $\frac{1}{4}$ - $\frac{3}{8}$ -I-U		
190689	QSM- $\frac{1}{8}$ - $\frac{3}{16}$ -I-U	190680	QSM- $\frac{1}{4}$ - $\frac{1}{8}$ -U		
VHER-...-N18-LD		VHER-...-N14-LD		VHER-...-N12-LD	
190688	QS- $\frac{1}{8}$ - $\frac{5}{32}$ -I-U	190692	QS- $\frac{1}{4}$ - $\frac{1}{4}$ -I-U	190698	QS- $\frac{1}{2}$ - $\frac{1}{2}$ -I-U
190690	QS- $\frac{1}{8}$ - $\frac{1}{4}$ -I-U	190693	QS- $\frac{1}{4}$ - $\frac{5}{16}$ -I-U		
		190694	QS- $\frac{1}{4}$ - $\frac{3}{8}$ -I-U		

Ordering data Silencers					
Part No.	Type	Part No.	Type	Part No.	Type
VHER-...-N18-UD		VHER-...-N14-UD		VHER-...-N12-UD	
12638	U- $\frac{1}{8}$ -B-NPT	12639	U- $\frac{1}{4}$ -B-NPT	12741	U- $\frac{1}{2}$ -B-NPT
161419	UC- $\frac{1}{8}$	165004	UC- $\frac{1}{4}$		
VHER-...-N18-LD		VHER-...-N14-LD		VHER-...-N12-LD	
161419	UC- $\frac{1}{8}$	165004	UC- $\frac{1}{4}$	12741	U- $\frac{1}{2}$ -B-NPT
		12639	U- $\frac{1}{4}$ -B-NPT		

Ordering data Proximity sensors for VHER						
	Electrical connection		Cable length [m]	Connection direction	Part No.	Type
	Cable	Plug M8x1				
	N/O contact		2.5	In-line	173210	SME-10-KL-LED-24
	3-wire	-				
	-	3-pin	0.3	In-line	173212	SME-10-SL-LED-24
			Lateral	173211	SME-10-KQ-LED-24	
			Lateral	173213	SME-10-SQ-LED-24	