

Proximity sensors SMPO-8E, for T-slot, pneumatic

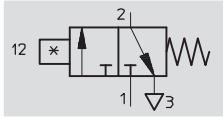


Proximity sensors SMPO-8E, for T-slot, pneumatic

Technical data

Function
3/2-way valve,
normally closed

- Pneumatic proximity sensor
- Magnetic measuring principle



Design	
Constructional design	For T-slot
Type of mounting	Via accessories
Connection direction	Lateral
Reproducibility of switching point ¹⁾	[mm] ±0.1
Switching status display	Optical

1) Only applicable to drives secured against rotation

Technical data	
Switching element function	3/2-way valve, normally closed
Operating medium	Compressed air, filtered, unlubricated, grade of filtration 40 µm
Operating pressure	[bar] 2 ... 8
Switch-on time	[ms] 22
Switch-off time	[ms] 52
Pneumatic connection	Female thread M5
Protection class	IP65

Operating and environmental conditions	
Ambient temperature	[°C] -15 ... +60
Corrosion resistance class CRC ¹⁾	2

1) Corrosion resistance class 2 according to Festo standard 940 070
Components requiring moderate corrosion resistance. Externally visible parts with primarily decorative surface requirements which are in direct contact with a normal industrial environment or media such as coolants or lubricating agents.

Materials	
Housing	Polyamide, aluminium

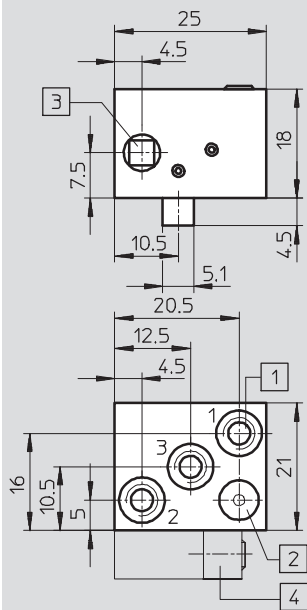
Product weights [g]	
Pneumatic proximity sensor	12

Proximity sensors SMPO-8E, for T-slot, pneumatic

Technical data

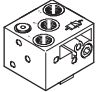
Dimensions

Download CAD data → www.festo.com



- 1 Connecting thread M5
- 2 Pneumatic indicator
- 3 Mounting screw
- 4 Mounting kit SMB-8E

Ordering data

	Pneumatic connection	Part No.	Type
	3/2-way valve, normally closed	178563	SMPO-8E
	Female thread M5		

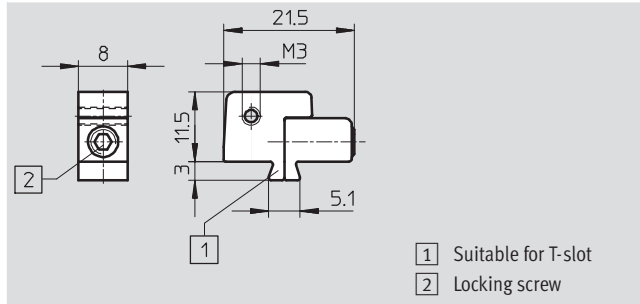
Proximity sensors SMPO-8E, for T-slot, pneumatic

Accessories



Mounting kit SMB-8E

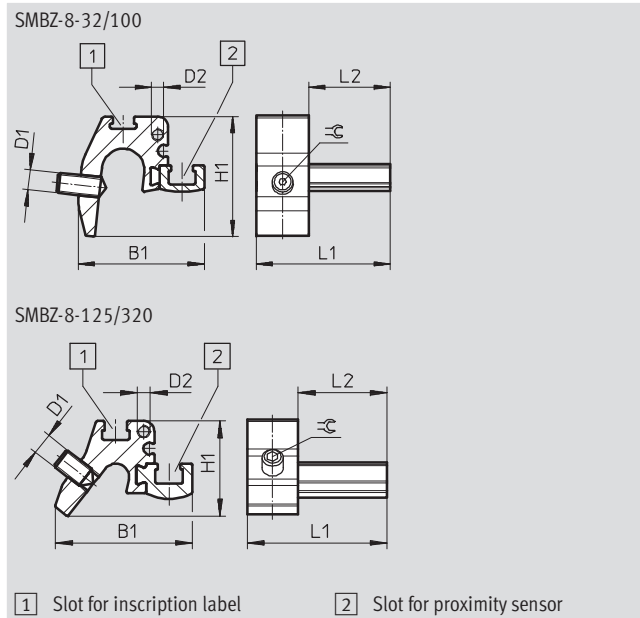
Material:
Polyacetate



Ordering data		
For piston Ø	Part No.	Type
10 ... 125	178230	SMB-8E

Mounting SMBZ-8-...

Materials:
Rail: Anodised wrought aluminium alloy
Screws: High-alloy stainless steel
Free of copper and PTFE
RoHS-compliant



Dimensions and ordering data									
For piston Ø	B1	D1	D2	H1	L1	L2	\pm	Part No.	Type
32 ... 100	31	M5	M3	30	33	20	1.5	537806	SMBZ-8-32/100
125 ... 320	32.3			22				537808	SMBZ-8-125/320

Ordering data – Push-in fittings		Technical data → Internet: quick star	
		[mm]	Part No. Type
	Push-in fitting with connecting thread M5 for tubing O.D.	3	153302 QSM-M5-3
		4	153304 QSM-M5-4
		6	153306 QSM-M5-6
	Push-in L-fitting with connecting thread M5 for tubing O.D.	3	153331 QSML-M5-3
		4	153333 QSML-M5-4
		6	153335 QSML-M5-6