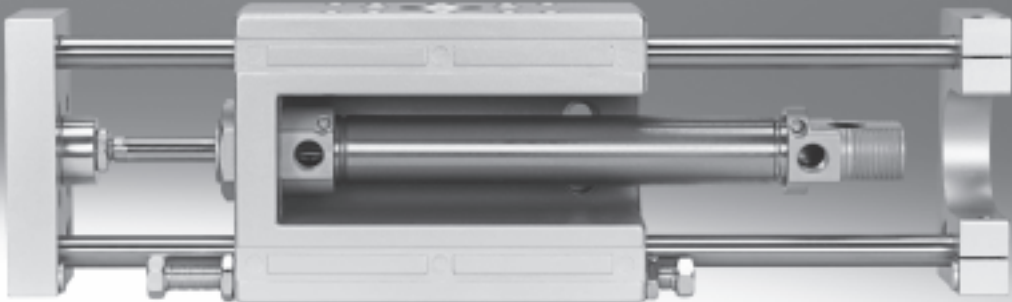


Linear units SLE



Linear units SLE

Key features

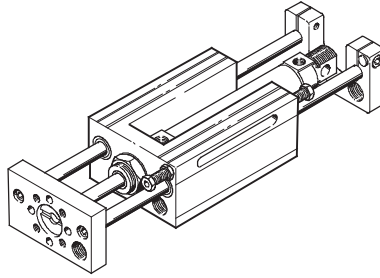
Version

The linear unit SLE is a combination of a guide unit and a standard cylinder. The cylinder moves a flange plate.

The modular system allows for individualised end-position cushioning and end-position sensing solutions.

Basic unit

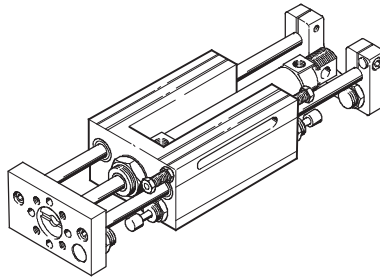
SLE-...-G



Standard unit

SLE-...-S

with two self-adjusting shock absorbers and two inductive proximity sensors with PNP output



Linear units SLE

Key features

Multi-axis combinations

The linear unit SLE can be combined with a further linear unit SLE or a linear drive SLM to produce a range of 2-axis or 3-axis systems.

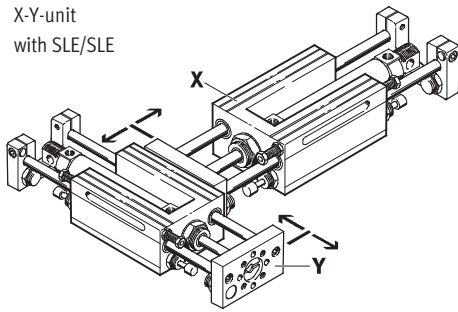
The units are bolted together directly for multi-axis operation.

The centring pins and sleeves required to secure the units together are included in the scope of delivery.

Linear drive SLM
→ Internet: slm

with linear unit SLE

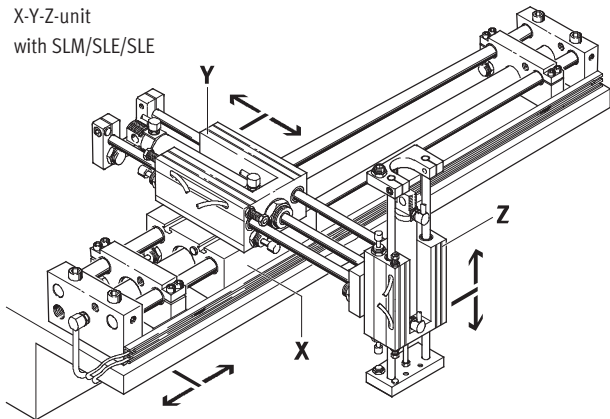
X-Y-unit
with SLE/SLE



X	Y	Z
2 axes		
SLE-16	SLE-10	–
SLE-20	SLE-16	–
SLE-25	SLE-16	–
SLE-32	SLE-20 or SLE-25	–
SLE-40	SLE-32	–
SLE-50	SLE-40	–
3 axes		
SLE-20	SLE-16	SLE-10
SLE-25	SLE-16	SLE-10
SLE-32	SLE-20 or SLE-25	SLE-16
SLE-40	SLE-32	SLE-20 or SLE-25
SLE-50	SLE-40	SLE-32

with linear drive SLM

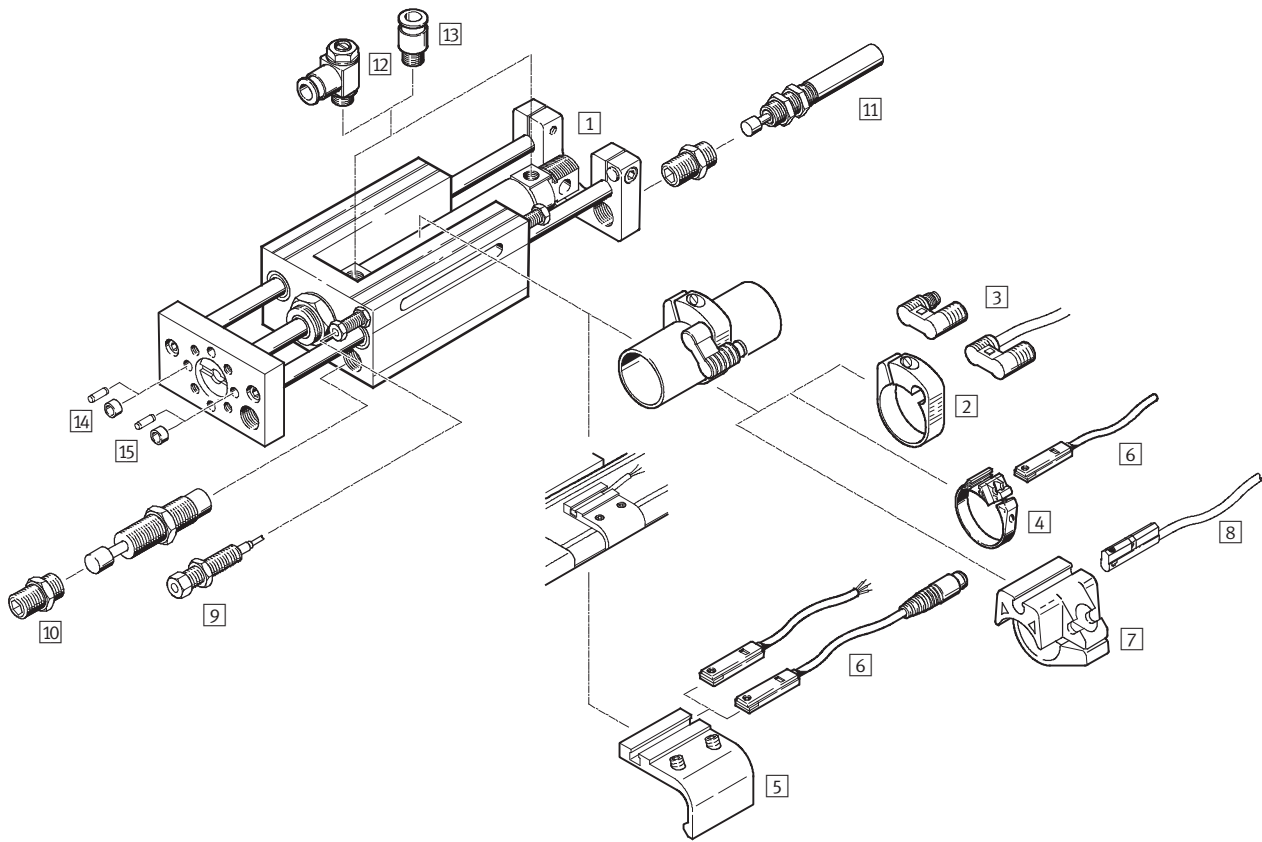
X-Y-Z-unit
with SLM/SLE/SLE



X	Y	Z
2 axes		
SLM-12	SLE-10	–
SLM-20	SLE-16	–
SLM-32	SLE-20 or SLE-25	–
SLM-40	SLE-32	–
3 axes		
SLM-20	SLE-16	SLE-10
SLM-32	SLE-20 or SLE-25	SLE-16
SLM-40	SLE-32	SLE-20 or SLE-25

Linear units SLE

Peripherals overview



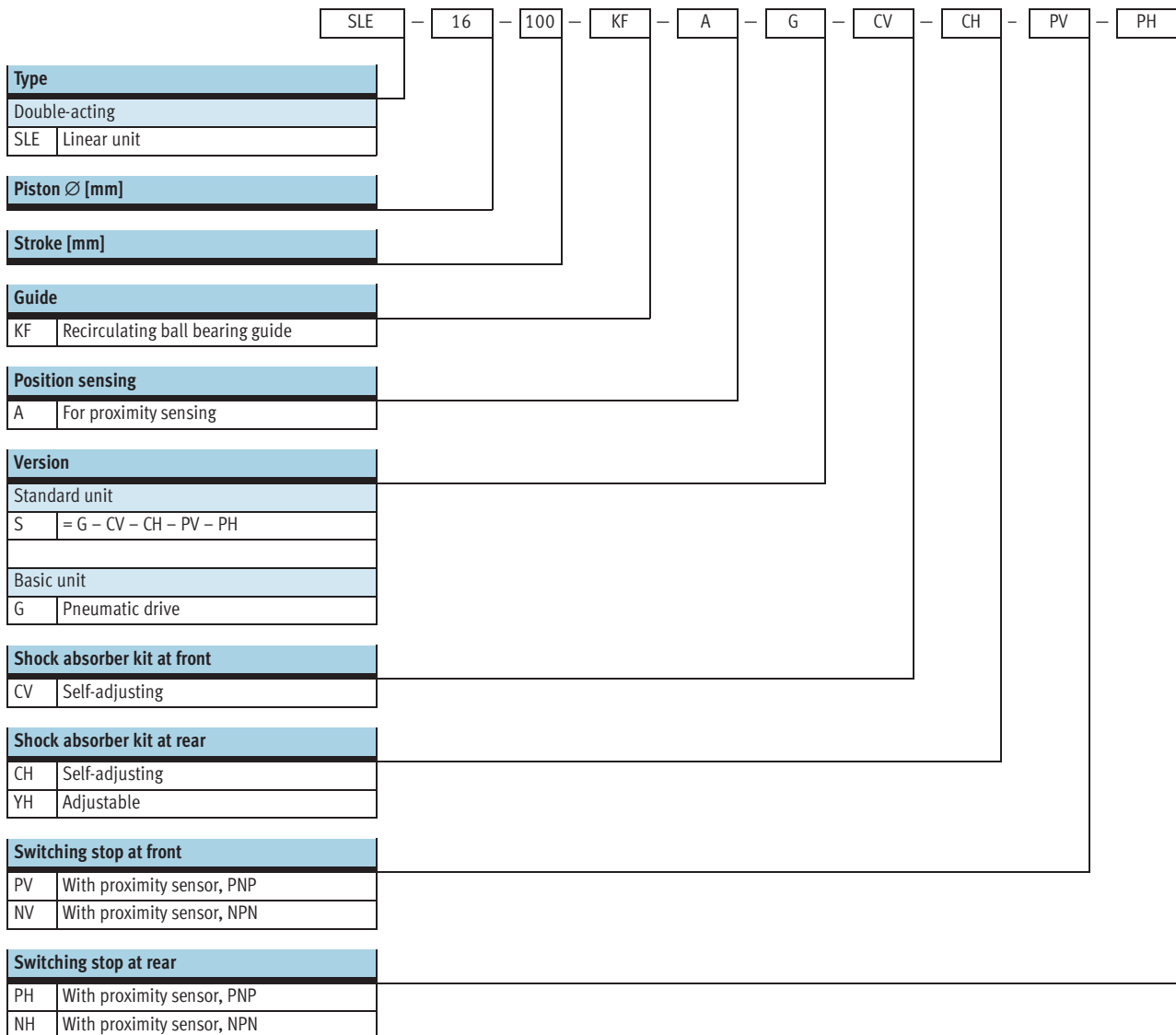
Linear units SLE

Peripherals overview

Accessories						
	Brief description	Piston Ø 10 ... 20 mm	Piston Ø 25 mm	Piston Ø 32 ... 50 mm	→ Page/Internet	
1	Standard cylinder DSNU	Drive for the flange plate	■	■	-	17
	Standard cylinder DNC	Drive for the flange plate	-	-	■	17
2	Mounting kit SMBR	For attachment to standard cylinder DSNU	■	■	-	17
3	Proximity sensor SMEO/SMTO-4U	Can be integrated in mounting kit SMBR	■	■	-	17
4	Mounting kit SMBR-8	For attachment to standard cylinder DSNU	■ Ø 20	■	-	18
5	Mounting kit SMB-8-FENG	For attachment to standard cylinder DNC	-	-	■	18
6	Proximity sensor SME/SMT-8	Can be integrated in mounting kit SMBR-8 or SMB-8-FENG	■ Ø 20	■	■	18
7	Mounting kit SMBR-10	For attachment to standard cylinder DSNU	■ Ø 20	■	-	19
8	Proximity sensor SME/SMT-10	Can be integrated in mounting kit SMBR-10	■ Ø 20	■	-	19
9	Switching stop with proximity sensor SL-...-SIE-PS/SL-...-SIE-NS	Can be integrated in end plate	■	■	■	16
10	Shock absorber kit, self-adjusting SLE-...-YSR-C	For slowing higher speeds to a stop	■	■	■	16
11	Shock absorber kit, adjustable SLZ-...-KF-A	For slowing higher speeds to a stop	■ Ø 20	■	■	16
12	One-way flow control valve GRLA	For speed regulation	■	■	■	20
13	Push-in fitting QS	For connecting compressed air tubing with standard O.D.	■	■	■	quick star
14	Centring pin ZBS	For centring loads and attachment components	■	-	-	17
15	Centring sleeve ZBH	For centring loads and attachment components	-	■	■	17

Linear units SLE

Type codes



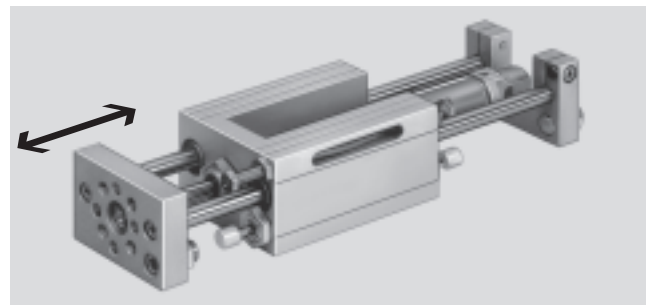
Linear units SLE

Technical data

Function



 www.festo.com



- \varnothing - Diameter
10 ... 50 mm
- | - Stroke length
10 ... 500 mm

General technical data							
Piston \varnothing	10	16	20	25	32	40	50
Stroke [mm]	10 ... 100		10 ... 200		10 ... 320		10 ... 500
Pneumatic connection	M5			G $\frac{1}{8}$		G $\frac{1}{4}$	
Mode of operation	Double-acting						
Constructional design	Linear unit						
	Standard cylinder						
End-position cushioning via shock absorber	Self-adjusting at both ends						
	-			Adjusted from the rear			
Position sensing	For proximity sensing						
Type of mounting	Via through-holes						
	Via female thread						
Mounting position	Any						
Protection against torsion/guide	Guide rods with yoke/ball bearing guide						

Operating and environmental conditions								
Piston \varnothing	10	16	20	25	32	40	50	
Operating medium	Filtered compressed air, lubricated or unlubricated							
Operating pressure [bar]	2.5 ... 10				1.5 ... 12			
Ambient temperature ¹⁾ [°C]	-20 ... +80							

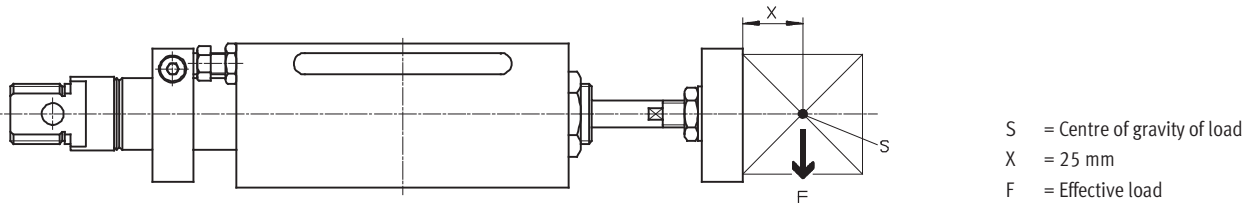
1) Note operating range of proximity sensors.

Forces [N]							
Piston \varnothing	10	16	20	25	32	40	50
Theoretical force at 6 bar, advancing	47	121	188	295	483	754	1178
Theoretical force at 6 bar, retracting	40	104	158	247	415	633	990

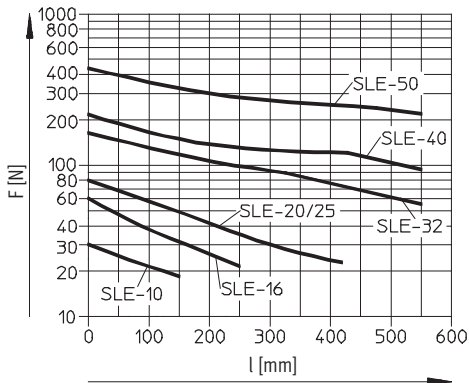
Linear units SLE

Technical data

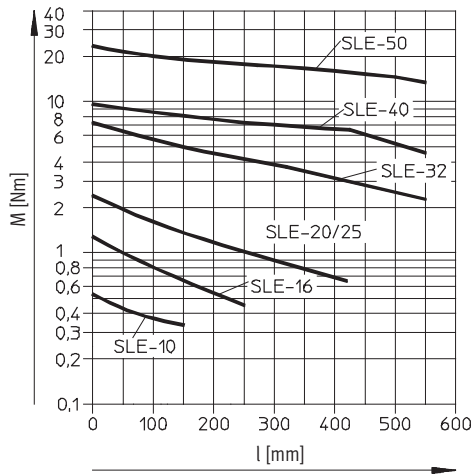
Permissible dynamic load



Permissible effective load F as a function of the stroke l



Permissible torque M as a function of the stroke l



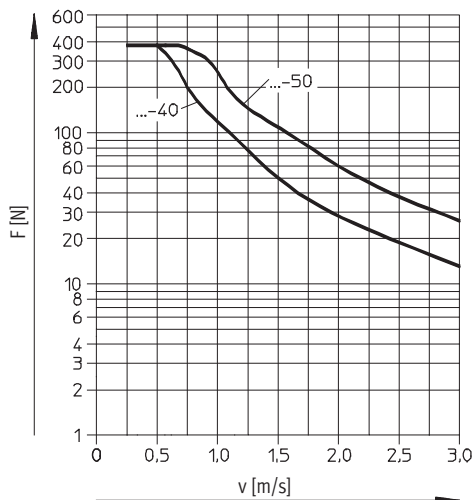
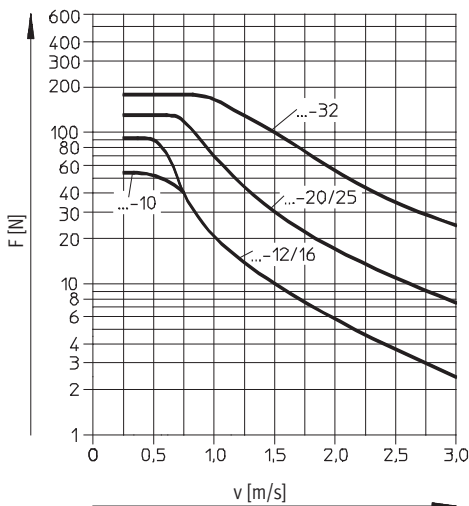
Permissible shock absorber load F as a function of the impact velocity v

with horizontal installation

$$F \approx m_L \times g$$

$$g = 9.81 \text{ N/mm}^2$$

$$m_L = \text{Load [kg]}$$



Linear units SLE

Technical data

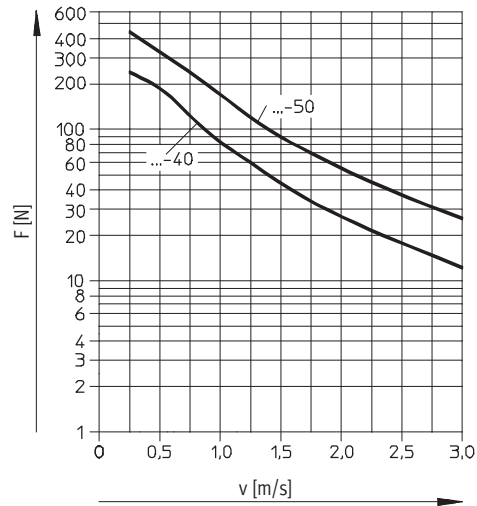
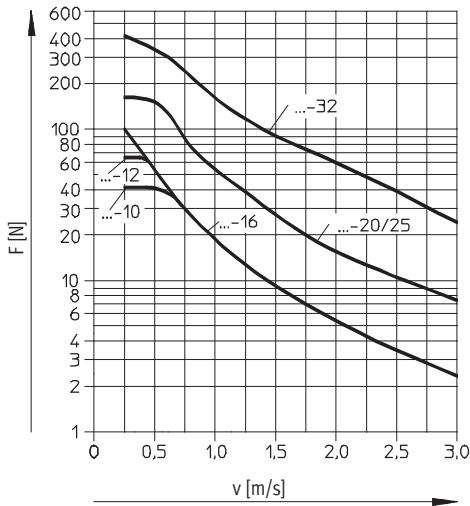
Permissible shock absorber load F as a function of the impact velocity v
with vertical installation

$$F \geq (m_L + m_E) \times g$$

$$g = 9.81 \text{ N/mm}^2$$

m_E = Moving load (dead weight) [kg]

m_L = Load [kg]



Weights [g]							
Piston Ø	10	16	20	25	32	40	50
Product weight with 0 mm stroke	560	913	1882	1942	4300	6175	9200
Additional weight per 10 mm stroke	10	13	19	23	57	85	125
Moving load with 0 mm stroke	160	230	500	500	1500	2200	3600
Additional load per 10 mm stroke	8	8	12	12	31	49	77

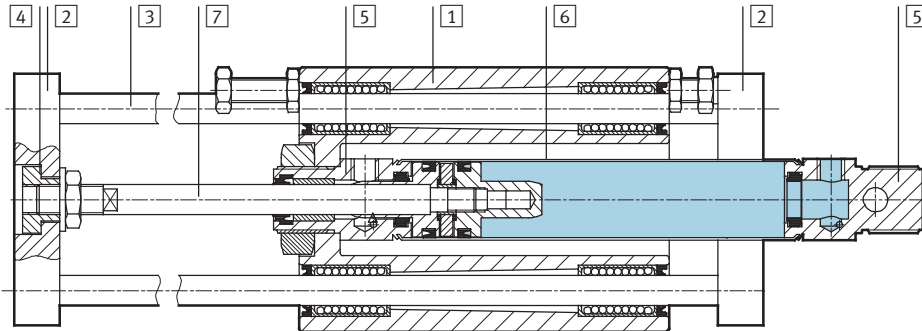
Linear units SLE

Technical data

FESTO

Materials

Sectional view



Linear unit

1	Housing	∅ 10 ... 25	Die-cast aluminium
		∅ 32 ... 50	Wrought aluminium alloy
2	Yoke/end plate		Aluminium
3	Guide rod		Tempered steel
4	Coupling		Steel
5	Bearing and end caps	∅ 10 ... 25	Wrought aluminium alloy
		∅ 32 ... 50	Die-cast aluminium
6	Cylinder barrel	∅ 10 ... 25	High-alloy stainless steel
		∅ 32 ... 50	Wrought aluminium alloy
7	Piston rod	∅ 10 ... 25	High-alloy stainless steel
		∅ 32 ... 50	High-alloy steel
-	Seals		Polyurethane, nitrile rubber

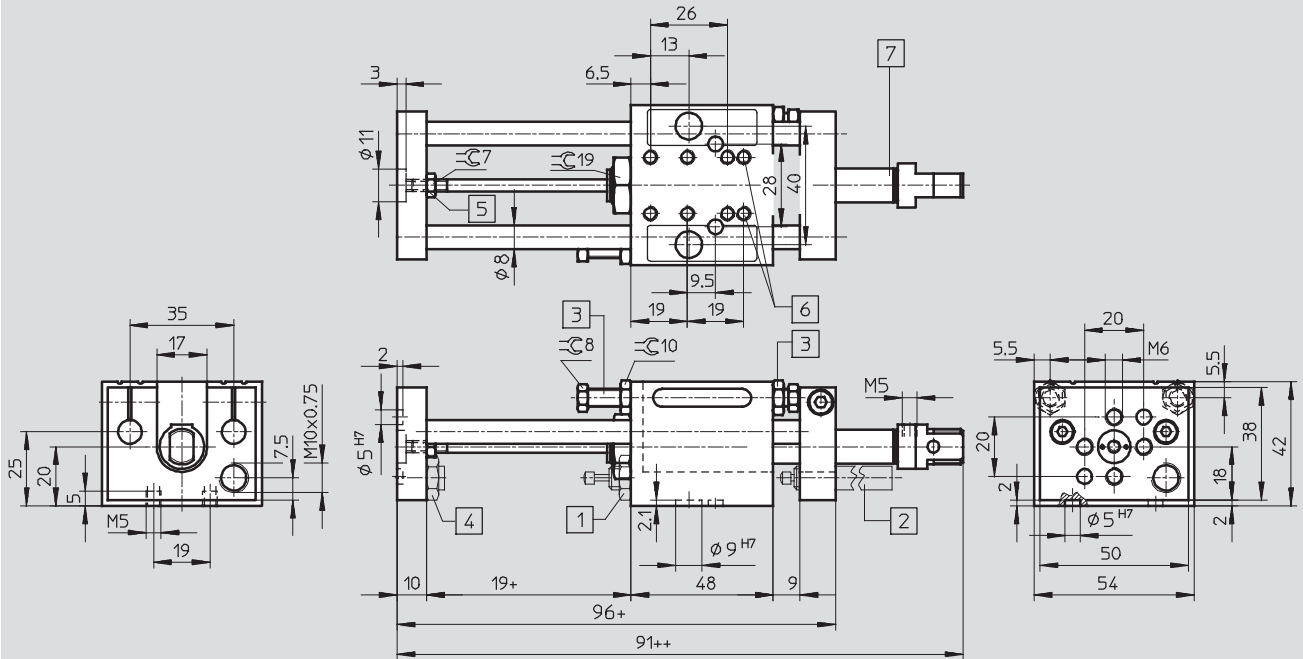
Linear units SLE

Technical data

Dimensions

Download CAD data → www.festo.com

Piston Ø 10 mm



- 1 Self-adjusting shock absorber, for front and rear mounting
- 2 Adjustable shock absorber, can only be mounted to yoke at rear

- 3 Switching stop with proximity sensor, PNP/NPN, for front and rear mounting
- 4 Shock absorber stop

- 5 Compensating coupling for radial and axial alignment
- 6 Mounting thread
- 7 Drive DSNU

+ = plus stroke length
 ++ = plus 2x stroke length

Linear units SLE

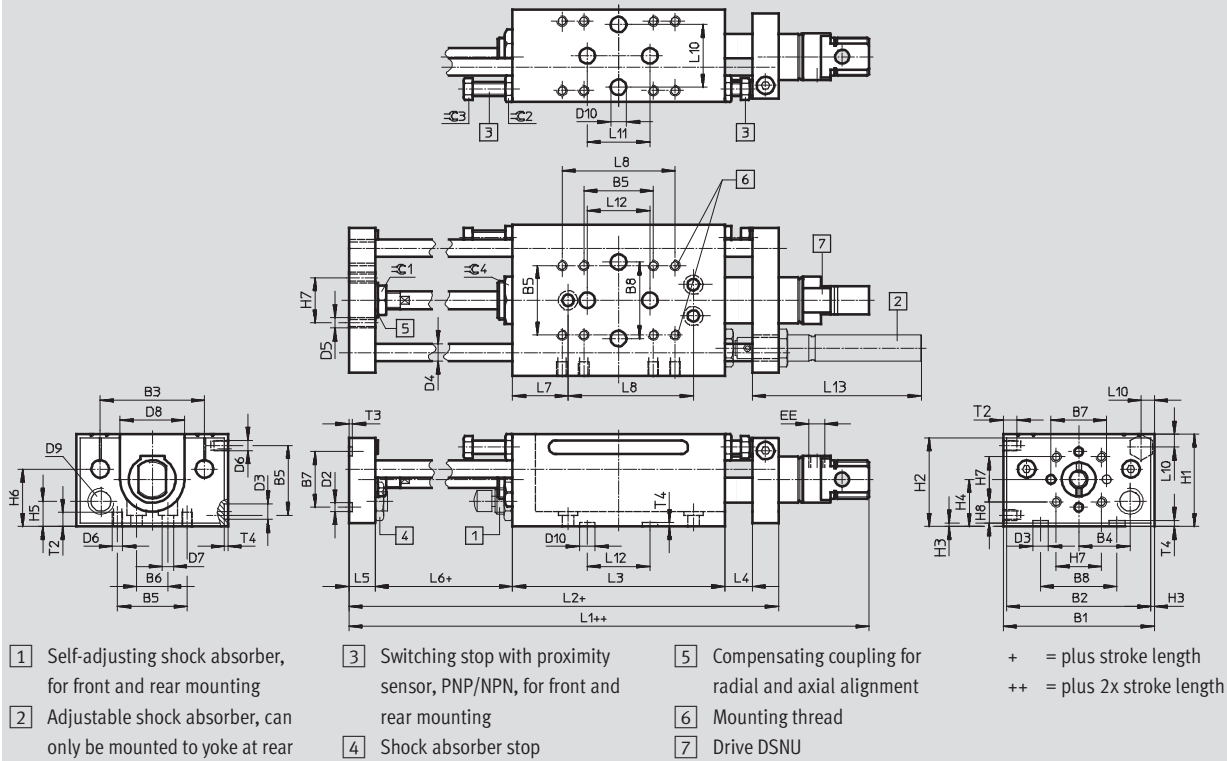
Technical data

FESTO

Dimensions

Download CAD data → www.festo.com

Piston Ø 16 ... 25 mm



Ø	B1	B2	B3	B4	B5	B6	B7	B8	D2	D3	D4	D5	D6	D7	D8
[mm]			±0.03					±0.03	Ø H7	Ø H7	Ø h6			Ø	
16	64	60	44	22	26	14	28	40	5	9	8	M6	M5	5.5	26
20	87	83	60	29.5	40	18	32	40	5	9	10	M6	M6	6.6	37
25	87	83	60	29.5	40	18	32	40	5	9	10	M6	M6	6.6	37

Ø	D9	D10	EE	H1	H2	H3	H4	H5	H6	H7	H8	L1	L2	L3	L4
[mm]		Ø H7							±0.1						
16	M10x0.75	5	M5	43	39	2	22	10	25	19	10.5	116	143	86	12
20	M15x1	9	G $\frac{3}{8}$	53	49	2	27	14.5	33	26	12	145.5	197	122	16
25	M15x1	9	G $\frac{3}{8}$	53	49	2	27	14.5	33	26	12	149	197	122	16

Ø	L5	L6	L7	L8	L9	L10	L11	L12	L13	T2	T3	T4	≈C1	≈C2	≈C3	≈C4
[mm]				±0.2			±0.03	±0.03								
16	12	21	21	54	40	6	–	32	–	7	2	2	10	10	8	19
20	15	32	32	72	65	7.5	40	40	97	8	2	2.1 ^{+0.2}	13	13	11	27
25	15	32	32	72	65	7.5	40	40	97	8	2	2.1 ^{+0.2}	17	13	11	27

Linear units SLE

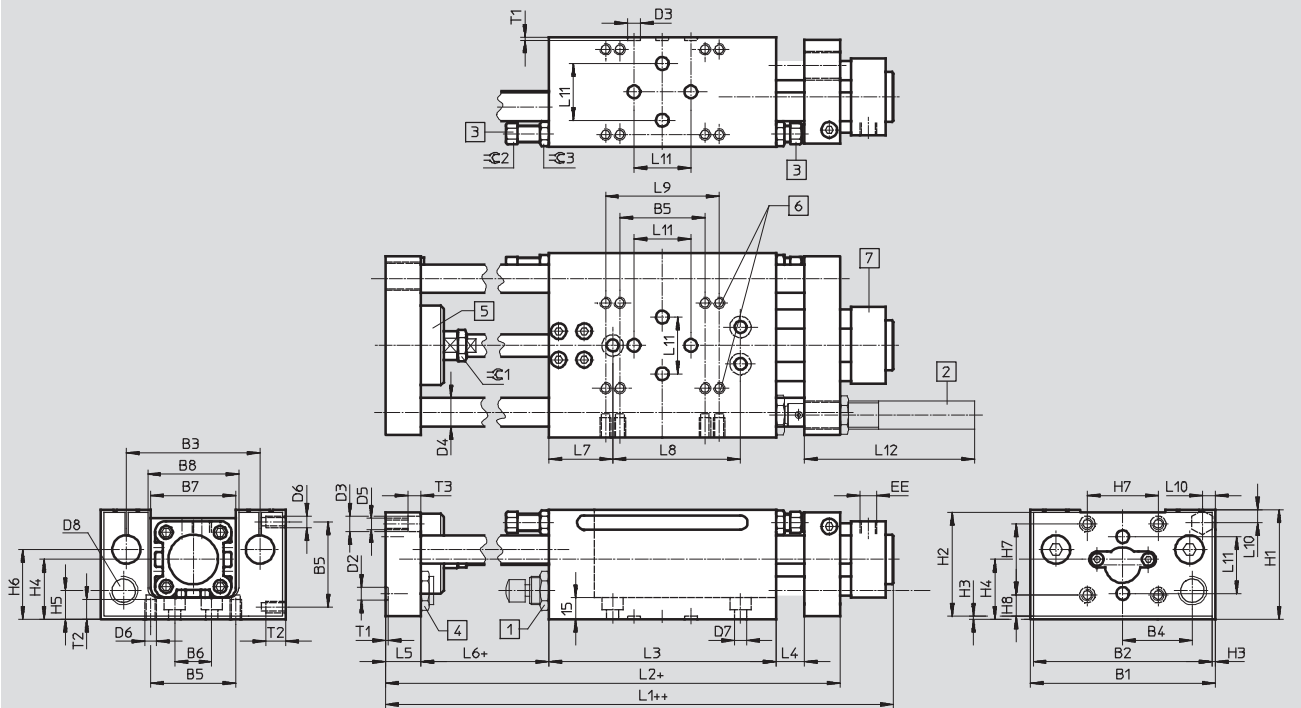
Technical data

FESTO

Dimensions

Download CAD data → www.festo.com

Piston Ø 32 ... 50 mm



- 1 Self-adjusting shock absorber, for front and rear mounting
 - 2 Adjustable shock absorber, can only be mounted to yoke at rear
 - 3 Switching stop with proximity sensor, PNP/NPN, for front and rear mounting
 - 4 Shock absorber stop
 - 5 Compensating coupling for radial and axial alignment
 - 6 Mounting thread
 - 7 Drive DNC
- + = plus stroke length
++ = plus 2x stroke length

Ø	B1	B2	B3	B4	B5	B6	B7	B8	D2	D3	D4	D5	D6	D7
[mm]			±0.03						Ø H7	Ø	Ø h6			Ø
32	115	111	84	41.5	50	26	52	55	9	11	16	M8	M6	8.4
40	130	126	94	49	60	26	60	64	9	11	20	M8	M8	8.4
50	154	150	113	58	60	30	72	76	9	15	25	M10	M8	8.4

Ø	D8	EE	H1	H2	H3	H4	H5	H6	H7	H8	L1	L2
[mm]								±0.1				
32	M20x1.25	G1/8	70	66	2	40.5	17	43	40	18.5	172	250
40	M20x1.25	G1/4	77	73	2	46	20	49	50	15	197.5	260
50	M24x1.25	G1/4	90	86	2	53.5	19	52	60	16.5	226	305

Ø	L3	L4	L5	L6	L7	L8	L9	L10	L11	L12	T1	T2	T3	≈C1	≈C2	≈C3
[mm]									±0.03	max.	+0.2					
32	160	20	20	30	45	90	75	9	40	115	2.1	10	7.3	17	13	15
40	160	20	25	30	45	90	80	9	40	115	2.1	14	9	19	13	15
50	192	25	25	38	66	90	80	10	40	138	2.1	14	11	24	13	15

Linear units SLE

Ordering data – Modular products



M Mandatory data							O Options			
Module No.	Drive function	Size	Stroke	Guide	Position sensing	Basic unit	Shock absorber at front	Shock absorber at rear	Sensor at front	Sensor at rear
150 088	SLE	10	10 ... 500	KF	A	G	CV	CH	PV	PH
150 090		16					YV	YH	NV	NH
150 091		20								
150 092		25								
150 093		32								
150 094		40								
150 921		50								
Ordering example										
150 090	SLE	- 16	- 190	- KF	- A	- G	- YV	- YH	- PV	- PH

Ordering table												
Size	10	16	20	25	32	40	50	Condi-tions	Code	Enter code		
M Module No.	150 088	150 090	150 091	150 092	150 093	150 094	150 921					
Drive function	Linear unit								SLE	SLE		
Size [mm]	10	16	20	25	32	40	50		-...			
Stroke [mm]	10 ... 100	10 ... 200	10 ... 320	10 ... 500					-...			
Guide	Via ball bearings								-KF	-KF		
Position sensing	For proximity sensing								-A	-A		
Basic unit	Linear unit with pneumatic drive								-G	-G		
O Shock absorber	at front	Self-adjusting shock absorber, with stop at front								-CV		
	at rear	Self-adjusting shock absorber, with stop at rear								-CH		
				Adjustable shock absorber, with stop at rear					-YH			
Sensor (bonded)	at front	Inductive sensor with 2.5 m cable, PNP, with stop sleeve at front								-PV		
		Inductive sensor with 2.5 m cable, NPN, with stop sleeve at front								-NV		
	at rear	Inductive sensor with 2.5 m cable, PNP, with stop sleeve at rear								-PH		
		Inductive sensor with 2.5 m cable, NPN, with stop sleeve at rear								-NH		

Transfer order code

	SLE	-		-		-	KF	-	A	-	G	-		-		-		-	
--	------------	---	--	---	--	---	-----------	---	----------	---	----------	---	--	---	--	---	--	---	--

Linear units SLE

Ordering data – Modular products, package solution

M Mandatory data

Module No.	Drive function	Size	Stroke	Guide	Position sensing	Standard unit
150 088	SLE	10	10 ... 500	KF	A	S
150 090		16				
150 091		20				
150 092		25				
150 093		32				
150 094		40				
150 921		50				
Ordering example						
150 093	SLE	- 32	- 450	- KF	- A	- S

Ordering table

Size	10	16	20	25	32	40	50	Condi- tions	Code	Enter code
M Module No.	150 088	150 090	150 091	150 092	150 093	150 094	150 921			
Drive function	Linear unit								SLE	SLE
Size [mm]	10	16	20	25	32	40	50		-...	
Stroke [mm]	10 ... 100	10 ... 200	10 ... 320		10 ... 500				-...	
Guide	Via ball bearings								-KF	-KF
Position sensing	For proximity sensing								-A	-A
Standard unit	Package solution S = G-CV-CH-PV-PH								-S	-S

Transfer order code

Linear units SLE

Accessories



Shock absorber kit

SLE-...-YSR-C, self-adjusting
(order code CV, CH)

Material:

YSR-8-8-C: Nickel-plated brass
YSR-12-12-C, YSR-16-20-C,
YSR-20-25-C: Galvanised steel
Free of copper, PTFE and silicone



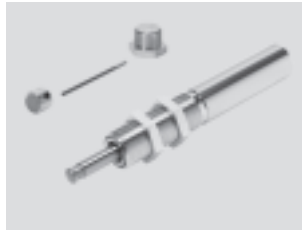
Ordering data			
For Ø [mm]	Including shock absorber	Part No.	Type
10	YSR-8-8-C	116 246	SLE-10-YSR-C
16	YSR-8-8-C	116 247	SLE-16-YSR-C
20, 25	YSR-12-12-C	116 248	SLE-20/25-YSR-C
32	YSR-16-20-C	116 249	SLE-32-YSR-C
40	YSR-16-20-C	116 250	SLE-40-YSR-C
50	YSR-20-25-C	118 698	SLE-50-YSR-C

Shock absorber kit

SLZ-...-KF-A, adjustable
(order code YV, YH)

Material:

Galvanised steel



Ordering data			
For Ø [mm]	Including shock absorber	Part No.	Type
20, 25	DYSR-12-12-Y5	114 032	SLZ-25-KF-A
32, 40	DYSR-16-20-Y5	114 033	SLZ-32-KF-A
50	DYSR-20-25-Y5	114 034	SLZ-50-KF-A

Switching stop SL-...-SIE-PS

(order code PV, PH)

Kit with inductive proximity sensor
PNP

Switching stop SL-...-SIE-NS

(order code NV, NH)

Kit with inductive proximity sensor
NPN





Ordering data				
For Ø [mm]	Switch output	Including proximity sensor	Part No.	Type
10, 16	PNP	SIEN-4B-PS-K-L	116 251	SL-10/16-SIE-PS
	NPN	SIEN-4B-NS-K-L	116 252	SL-10/16-SIE-NS
20, 25	PNP	SIEN-4B-PS-K-L	116 253	SL-20/25-SIE-PS
	NPN	SIEN-4B-NS-K-L	116 254	SL-20/25-SIE-NS
32, 40, 50	PNP	SIEN-6,5B-PS-K-L	117 525	SL-32/50-SIE-PS
	NPN	SIEN-6,5B-NS-K-L	117 526	SL-32/50-SIE-NS


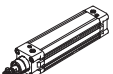
Linear units SLE


Accessories

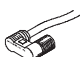
FESTO


Ordering data – Accessories					
	For Ø [mm]	Material	Part No.	Type	PU ¹⁾
Centring pin ZBS Technical data → Internet: zbs					
	10 ... 20	Stainless steel Free of copper, PTFE and silicone	150 928	ZBS-5	10
Centring sleeve ZBH Technical data → Internet: zbh					
	25 ... 50	Stainless steel Free of copper, PTFE and silicone	150 927	ZBH-9	10

1) Packaging unit quantity

Ordering data – Standard cylinders				Technical data → Internet: standard cylinder			
Designation	For Ø	Part No.	Type	Designation	For Ø	Part No.	Type
Standard cylinder DSNU				Standard cylinder DNC			
	10	14 325	DSNU-10-...-P-A		32	163 304	DNC-32-...-PPV-A
	16	14 320	DSNU-16-...-PPV-A		40	163 336	DNC-40-...-PPV-A
	20	14 321	DSNU-20-...-PPV-A		50	163 368	DNC-50-...-PPV-A
	25	14 322	DSNU-25-...-PPV-A				

Ordering data – Proximity sensors, round design, magneto-resistive							Technical data → Internet: smto	
	Mounting	Switch output	Electrical connection		Cable length [m]	Connection direction	Part No.	Type
			Cable	Plug M8				
Normally open contact								
	Via accessories	PNP	3-wire	–	2.5	In-line	152 836	SMTO-4U-PS-K-LED-24
			–	3-pin	–	–	In-line	152 742
		NPN	3-wire	–	2.5	In-line	152 837	SMTO-4U-NS-K-LED-24
			–	3-pin	–	–	In-line	152 743

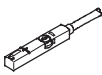
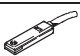
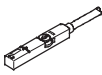
Ordering data – Proximity sensors, round design, magnetic reed							Technical data → Internet: smeo	
	Mounting	Electrical connection		Cable length [m]	Connection direction	Part No.	Type	
		Cable	Plug M8					
Normally open contact								
	Via accessories	3-wire	–	2.5	In-line	36 198	SMEO-4U-K-LED-24	
			5	In-line	175 401	SMEO-4U-K5-LED-24		
		–	3-pin	–	–	In-line	151 526	SMEO-4U-S-LED-24-B

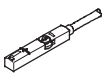
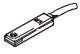
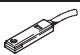
Ordering data – Mounting kits for proximity sensors SMEO/SMTO-4U				Technical data → Internet: smbr	
	For Ø	Part No.	Type		
	10	19 273	SMBR-10		
	16	19 275	SMBR-16		
	20	19 276	SMBR-20		
	25	19 277	SMBR-25		


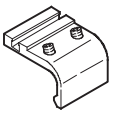
Linear units SLE

Accessories

FESTO

Ordering data – Proximity sensors for T-slot, magneto-resistive						Technical data → Internet: smt
	Type of mounting	Switch output	Electrical connection	Cable length [m]	Part No.	Type
N/O contact						
	Insertable in the slot from above, flush with cylinder profile	PNP	Cable, 3-wire	2.5	543 867	SMT-8M-PS-24V-K-2,5-OE
			Plug M8x1, 3-pin	0.3	543 866	SMT-8M-PS-24V-K-0,3-M8D
			Plug M12x1, 3-pin	0.3	543 869	SMT-8M-PS-24V-K-0,3-M12
	Insertable in the slot lengthwise, flush with the cylinder profile	PNP	Cable, 3-wire	2.5	175 436	SMT-8-PS-K-LED-24-B
			Plug M8x1, 3-pin	0.3	175 484	SMT-8-PS-S-LED-24-B
N/C contact						
	Insertable in the slot from above, flush with cylinder profile	PNP	Cable, 3-wire	7.5	543 873	SMT-8M-PO-24V-K7,5-OE

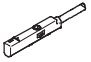
Ordering data – Proximity sensors for T-slot, magnetic reed						Technical data → Internet: sme	
	Type of mounting	Switch output	Electrical connection	Cable length [m]	Part No.	Type	
N/O contact							
	Insertable in the slot from above, flush with cylinder profile	Contacting	Cable, 3-wire	2.5	543 862	SME-8M-DS-24V-K-2,5-OE	
				5.0	543 863	SME-8M-DS-24V-K-5,0-OE	
			Plug M8x1, 3-pin	Cable, 3-wire	2.5	543 872	SME-8M-ZS-24V-K-2,5-OE
				0.3	543 861	SME-8M-DS-24V-K-0,3-M8D	
	Insertable in the slot lengthwise, flush with the cylinder profile	Contacting	Cable, 3-wire	2.5	150 855	SME-8-K-LED-24	
			Plug M8x1, 3-pin	0.3	150 857	SME-8-S-LED-24	
N/C contact							
	Insertable in the slot lengthwise, flush with the cylinder profile	Contacting	Cable, 3-wire	7.5	160 251	SME-8-O-K-LED-24	

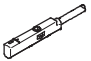
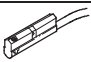
Ordering data – Mounting kits for proximity sensors SME/SMT-8						Technical data → Internet: smb	
	For Ø	Part No.	Type		For Ø	Part No.	Type
	20	175 095	SMBR-8-20		32	175 705	SMB-8-FENG-32/40
	25	175 096	SMBR-8-25		40		
					50	175 706	SMB-8-FENG-50/63

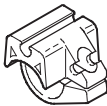
Linear units SLE



Accessories

FESTO

Ordering data – Proximity sensors for C-slot, magneto-resistive						Technical data → Internet: smt
	Type of mounting	Switch output	Electrical connection, connection direction	Cable length [m]	Part No.	Type
N/O contact						
	Insertable in the slot from above	PNP	Cable, 3-wire, in-line	2.5	551 373	SMT-10M-PS-24V-E-2,5-L-OE
			Plug M8x1, 3-pin, in-line	0.3	551 375	SMT-10M-PS-24V-E-0,3-L-M8D
			Plug M8x1, 3-pin, lateral	0.3	551 376	SMT-10M-PS-24V-E-0,3-Q-M8D

Ordering data – Proximity sensors for C-slot, magnetic reed						Technical data → Internet: sme
	Type of mounting	Switch output	Electrical connection, connection direction	Cable length [m]	Part No.	Type
N/O contact						
	Insertable in the slot from above	Contacting	Plug M8x1, 3-pin, in-line	0.3	551 367	SME-10M-DS-24V-E-0,3-L-M8D
			Cable, 3-wire, in-line	2.5	551 365	SME-10M-DS-24V-E-2,5-L-OE
			Cable, 2-wire, in-line	2.5	551 369	SME-10M-ZS-24V-E-2,5-L-OE
	Insertable in the slot lengthwise	Contacting	Plug M8x1, 3-pin, in-line	0.3	173 212	SME-10-SL-LED-24
			Cable, 3-wire, in-line	2.5	173 210	SME-10-KL-LED-24


Ordering data – Mounting kits for proximity sensors SME/SMT-10					Technical data → Internet: smbr
	For Ø		Part No.	Type	
	20		175 103	SMBR-10-20	
	25		175 104	SMBR-10-25	

Ordering data – Connecting cables					Technical data → Internet: nebu
	Electrical connection, left	Electrical connection, right	Cable length [m]	Part No.	Type
	Straight socket, M8x1, 3-pin	Cable, open end, 3-wire	2.5	541 333	NEBU-M8G3-K-2.5-LE3
			5	541 334	NEBU-M8G3-K-5-LE3
	Straight socket, M12x1, 5-pin	Cable, open end, 3-wire	2.5	541 363	NEBU-M12G5-K-2.5-LE3
			5	541 364	NEBU-M12G5-K-5-LE3
	Angled socket, M8x1, 3-pin	Cable, open end, 3-wire	2.5	541 338	NEBU-M8W3-K-2.5-LE3
			5	541 341	NEBU-M8W3-K-5-LE3
	Angled socket, M12x1, 5-pin	Cable, open end, 3-wire	2.5	541 367	NEBU-M12W5-K-2.5-LE3
			5	541 370	NEBU-M12W5-K-5-LE3

Linear units SLE

Accessories



Ordering data – One-way flow control valves			Technical data → Internet: grla		
	Connection		Material	Part No.	Type
	Thread	For tubing OD			
	M5	3	Metal design	193 137	GRLA-M5-QS-3-D
		4		193 138	GRLA-M5-QS-4-D
		6		193 139	GRLA-M5-QS-6-D
	G $\frac{1}{8}$	3		193 142	GRLA- $\frac{1}{8}$ -QS-3-D
		4		193 143	GRLA- $\frac{1}{8}$ -QS-4-D
		6		193 144	GRLA- $\frac{1}{8}$ -QS-6-D
		8		193 145	GRLA- $\frac{1}{8}$ -QS-8-D
	G $\frac{1}{4}$	6		193 146	GRLA- $\frac{1}{4}$ -QS-6-D
		8		193 147	GRLA- $\frac{1}{4}$ -QS-8-D
		10		193 148	GRLA- $\frac{1}{4}$ -QS-10-D