

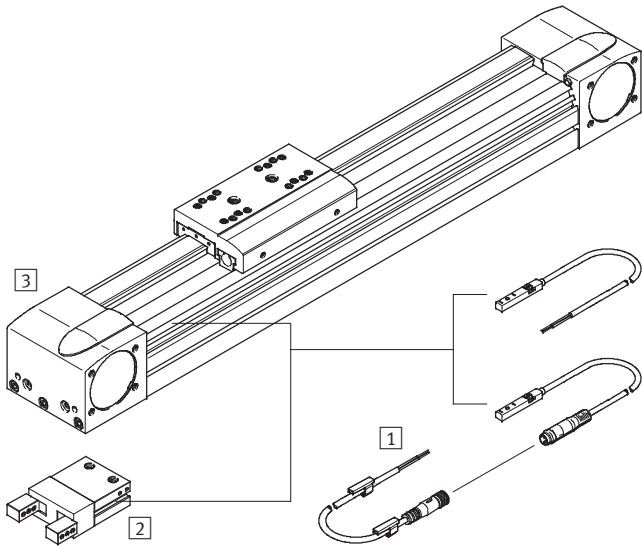
Proximity sensors SIES-8M, inductive for T-slot



# Proximity sensors SIES-8M, inductive for T-slot

Peripherals overview and type codes

## Peripherals overview



Mounting attachments and accessories		→ Page/Internet
1	Connecting cable NEBU-M8...3	6
2	Gripper with T-slot e.g. parallel gripper HGP	gripper
3	Electric axis EGC	egc

## Type codes

SIE S - 8M - P S - 24V - K - 2,5 - M8D

Type	
SIE	Proximity sensor, inductive

Design	
S	Special design

Design	
8M	For T-slot

Switching output	
P	PNP
N	NPN

Switching element function	
S	N/O contact
O	N/C contact

Rated operating voltage	
24V	24 VDC

Cable attributes	
K	Standard + energy chain

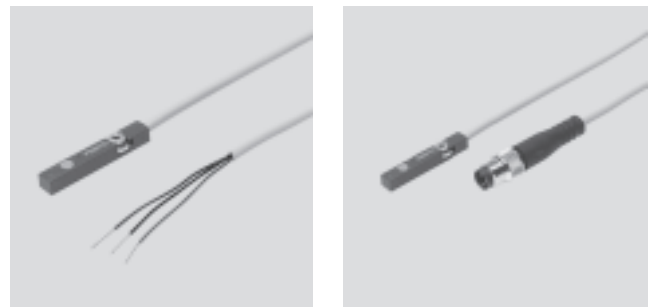
Cable length	
0,3	0.3 m
2,5	2.5 m
5,0	5.0 m
7,5	7.5 m
10	10 m

Electrical connection	
OE	Cable, 3-wire, open end
M8D	Cable with plug M8x1, 3-pin, knurled ring

# Proximity sensors SIES-8M, inductive for T-slot

## Technical data

- Inductive proximity sensor for T-slot, insertable from above
- Suitable for position sensing for electric axes EGC and grippers with T-slot
- 2 LEDs for better visibility, regardless of the side from which the axis approaches the sensor



General technical data	
Type of mounting	Screw-clamped in slot, insertable from above, flush with T-slot
Connection direction	In-line
Rated operating distance $S_n$ [mm]	1.5
Repetition accuracy under constant conditions [mm]	$\leq 0.05$ lateral connection $\leq 0.02$ axial connection
Max. switching frequency [Hz]	5,000
Switching status display	Yellow LED
Conforms to	EN 60947-5-2
Cable attributes	Standard + energy chain
Cable test conditions	Energy chain: 5 million cycles, bending radius 75 mm Resistance to bending: to Festo standard; test conditions on request
Degree of contamination	3

Electrical data	
Switching output	PNP NPN
Switching element function	N/C contact N/O contact
Electrical connection	Cable, 3-wire Cable with plug, M8x1, knurled ring, 3-pin
Operating voltage range DC [V]	10 ... 30
Insulation voltage [V]	50
Max. output current [mA]	150
Surge capacity [kV]	0.8
Idle current [mA]	$\leq 10$
Protection against short circuit	Pulsed
Protection against polarity reversal	For all electrical connections
Protection class	IP65 IP67

Operating and environmental conditions	
Ambient temperature [°C]	-25 ... +70
Ambient temperature with flexible cable installation [°C]	-5 ... +70
CE mark (see declaration of conformity)	To EU EMC Directive <sup>1)</sup>
Certification	C-Tick cULus listed (OL)

1) For information about the applicability of the component see the manufacturer's EC declaration of conformity at: [www.festo.com](http://www.festo.com) → Support → User documentation.  
If the component is subject to restrictions on usage in residential, office or commercial environments or small businesses, further measures to reduce the emitted interference may be necessary.

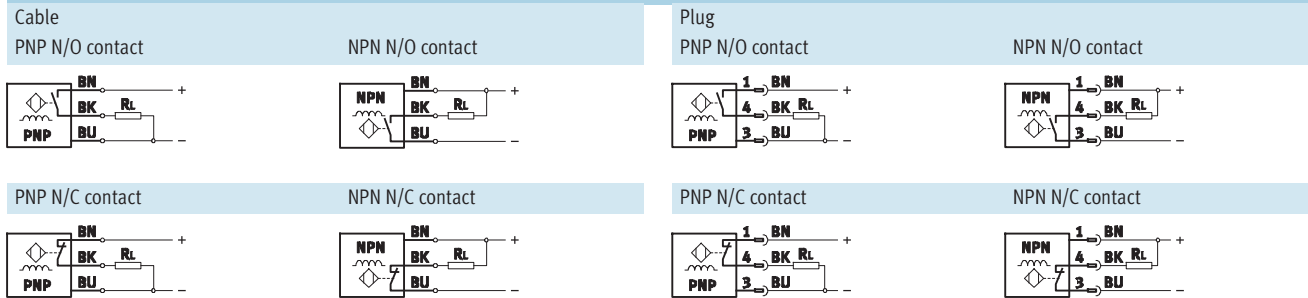
# Proximity sensors SIES-8M, inductive for T-slot

Technical data



Materials		SIES-8M-...-OE	SIES-8M-...-M8D
Housing		-	Brass, nickel-plated
		Polyamide	
		Polyurethane	
		High-alloy stainless steel	
Cable sheath	Thermoplastic polyurethane elastomer		
Note on materials	Free of copper and PTFE		
	RoHS-compliant		

## Pin allocation

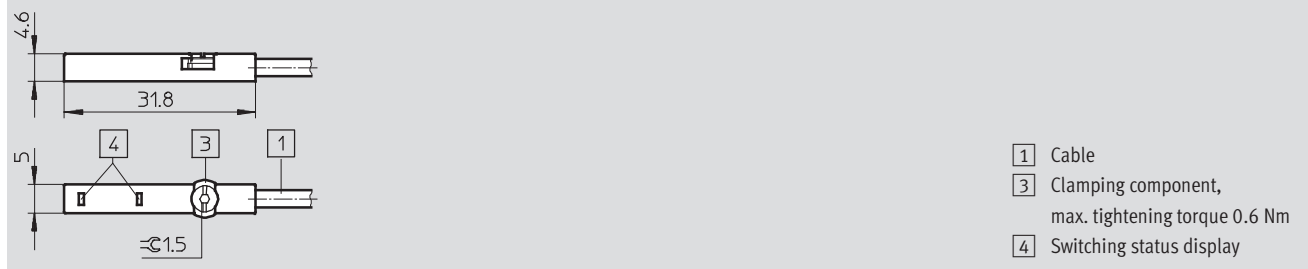


## Core colours

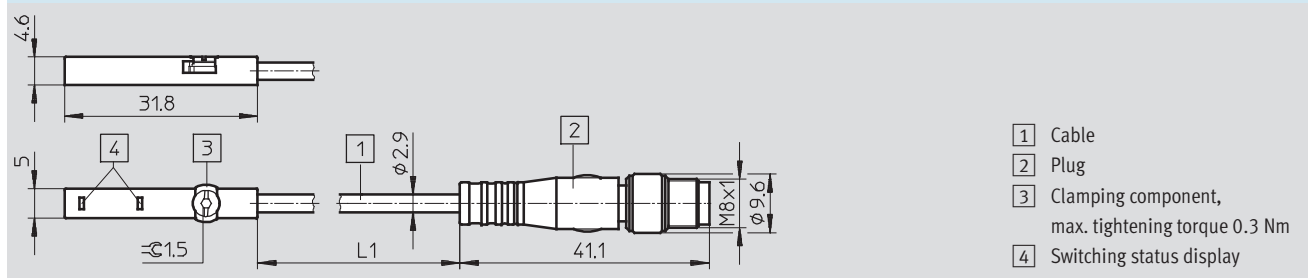
BN = brown                      BK = black                      BU = blue

## Dimensions

SIES-8M-...-OE Download CAD data → [www.festo.com](http://www.festo.com)





## SIES-8M-...-M8D



	L1
SIES-8M-...-0,3-M8D	300 <sup>+50</sup>
SIES-8M-...-2,5-M8D	2,500 <sup>+50</sup>
SIES-8M-...-5,0-M8D	5,000 <sup>+50</sup>
SIES-8M-...-7,5-M8D	7,500 <sup>+75</sup>
SIES-8M-...-10-M8D	10,000 <sup>+100</sup>

# Proximity sensors SIES-8M, inductive for T-slot

Technical data

Ordering data							
Size	S <sub>n</sub> <sup>1)</sup> [mm]	Mounting position	Switching output	Switching element function	Cable length [m]	Part No.	Type
Cable							
	1.5	Flush	PNP	N/O contact	7.5	551386	SIES-8M-PS-24V-K-7,5-OE
				N/C contact	7.5	551391	SIES-8M-PO-24V-K-7,5-OE
			NPN	N/O contact	7.5	551396	SIES-8M-NS-24V-K-7,5-OE
				N/C contact	7.5	551401	SIES-8M-NO-24V-K-7,5-OE
Cable with plug							
	1,5	Flush	PNP	N/O contact	0.3	551387	SIES-8M-PS-24V-K-0,3-M8D
					2.5	551388	SIES-8M-PS-24V-K-2,5-M8D
					5.0	551389	SIES-8M-PS-24V-K-5,0-M8D
					10	551390	SIES-8M-PS-24V-K-10-M8D
				N/C contact	0.3	551392	SIES-8M-PO-24V-K-0,3-M8D
					2.5	551393	SIES-8M-PO-24V-K-2,5-M8D
					5.0	551394	SIES-8M-PO-24V-K-5,0-M8D
					10	551395	SIES-8M-PO-24V-K-10-M8D
			NPN	N/O contact	0.3	551397	SIES-8M-NS-24V-K-0,3-M8D
					2.5	551398	SIES-8M-NS-24V-K-2,5-M8D
					5.0	551399	SIES-8M-NS-24V-K-5,0-M8D
					10	551400	SIES-8M-NS-24V-K-10-M8D
				N/C contact	0.3	551402	SIES-8M-NO-24V-K-0,3-M8D
					2.5	551403	SIES-8M-NO-24V-K-2,5-M8D
					5.0	551404	SIES-8M-NO-24V-K-5,0-M8D
					10	551405	SIES-8M-NO-24V-K-10-M8D

1) S<sub>n</sub> Rated operating distance [mm]

# Proximity sensors SIES-8M, inductive for T-slot

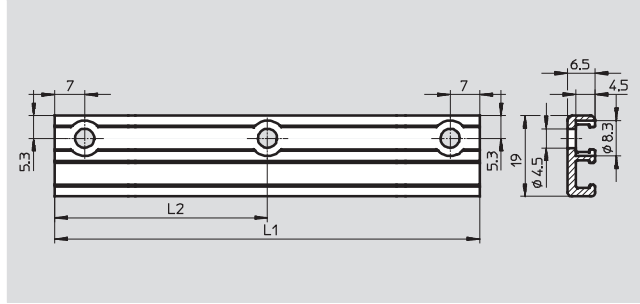
Accessories



## Sensor bracket SIEZ-8M

For mounting proximity sensors  
SIES-8M on any housing

Material:  
Wrought aluminium alloy, steel,  
thermoplastic polyurethane elastomer  
Note on material:  
RoHS-compliant



Dimensions and ordering data				
	L1	L2	Part No.	Type
Sensor bracket	200	–	551406	SIEZ-8M-200
	400	100	551407	SIEZ-8M-400

Ordering data – Slot cover for T-slot				
	Assembly	Length	Part No.	Type
	Insertable from above	2x 0.5 m	563360	ABP-5-S1

Ordering data – Connecting cables M8x1				Technical data → Internet: nebu	
	Electrical connection, left	Electrical connection, right	Cable length [m]	Part No.	Type
	Straight socket, M8x1, 3-pin	Cable, open end, 3-wire	2.5	541333	NEBU-M8G3-K-2.5-LE3
			5	541334	NEBU-M8G3-K-5-LE3
			10	541332	NEBU-M8G3-K-10-LE3
	Angled socket, M8x1, 3-pin	Cable, open end, 3-wire	2.5	541338	NEBU-M8W3-K-2.5-LE3
			5	541341	NEBU-M8W3-K-5-LE3
			10	541335	NEBU-M8W3-K-10-LE3