

Cartridge fittings QSP, Quick Star

Technical data


Cartridge fittings QSP10


Operating medium:

- Filtered compressed air

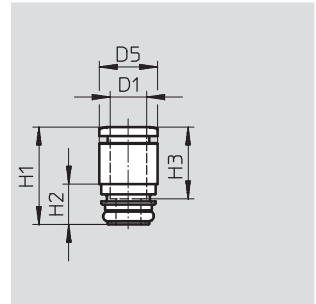
Material:

- Housing: Nickel plated brass

 - Ambient temperature
0 ... 60 °C

 - Operating pressure
-0.95 ... +10 bar

Certification:
Germanischer Lloyd



| Dimensions and ordering data | | | | | | | |
|------------------------------|-----|------|-----|------|----------|---------|------------------|
| Tubing O.D. | D5 | H1 | H2 | H3 | Part No. | Type | PU ¹⁾ |
| D1 | ∅ | | | | | | |
| 4 | 9.8 | 16.2 | 6.7 | 11.6 | 172972 | QSP10-4 | 10 |
| 6 | 9.8 | 16.2 | 6.7 | 11.9 | 172973 | QSP10-6 | 10 |

1) Packaging unit quantity.


Cartridge fittings QSPKG10


Operating medium:

- Filtered compressed air
- Vacuum

Material:

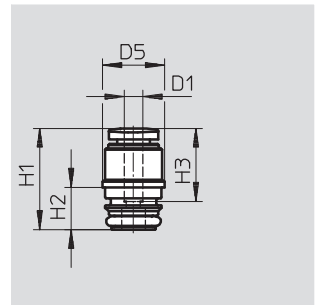
- Housing: Reinforced PA
- Release ring: POM
- Tubing seal: NBR
- Tube retaining claw: High-alloy stainless steel




 - Ambient temperature
-5 ... +60 °C

 - Operating pressure
-0.95 ... +10 bar

Note on materials:
Conforms to RoHS

Certification:
Germanischer Lloyd



| Dimensions and ordering data | | | | | | | | | | |
|------------------------------|--------------|-------|------|-----|------|-------------------|--------------|----------|-----------|--|
| Tubing O.D. | Nominal size | D5 | H1 | H2 | H3 | CRC ¹⁾ | Weight/piece | Part No. | Type | PU ²⁾ |
| D1 | [mm] | ∅ | | | | | [g] | | | |
| 3 | 1.6 | 9.75 | 16.1 | 6.7 | 11.6 | 1 | 1.5 | 132621 | QSPKG10-3 |  New 10 |
| 4 | 2.3 | 9.75 | 16.1 | 6.7 | 11.6 | 1 | 1.4 | 132622 | QSPKG10-4 |  New 10 |
| 6 | 3.7 | 10.55 | 18.1 | 6.7 | 11.9 | 1 | 1.8 | 132623 | QSPKG10-6 |  New 10 |

1) Corrosion resistance class 1 to Festo standard 940 070
Components requiring low corrosion resistance. Transport and storage protection. Parts that do not have primarily decorative surface requirements, e.g. in internal areas that are not visible or behind covers.

2) Packaging unit quantity.

Cartridge fittings QSP, Quick Star

Technical data


Cartridge fittings QSPK10


Operating medium:

- Filtered compressed air
- Vacuum

Material:

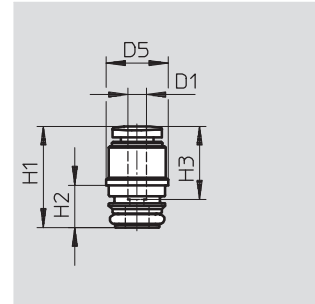
- Housing: Reinforced PA
- Release ring: POM
- Tubing seal: NBR
- Tube retaining claw: High-alloy stainless steel




 - Ambient temperature
-5 ... +60 °C

 - Operating pressure
-0.95 ... +10 bar

Note on materials:
Conforms to RoHS

Certification:
Germanischer Lloyd



| Dimensions and ordering data | | | | | | | | | | | |
|------------------------------|--------------|-------|------|-----|------|-------------------|--------------|---------------|-----------------|---|------------------|
| Tubing O.D. | Nominal size | D5 | H1 | H2 | H3 | CRC ¹⁾ | Weight/piece | Part No. | Type | | PU ²⁾ |
| D1 | [mm] | ∅ | | | | | [g] | | | | |
| 3 | 1.6 | 9.75 | 16.1 | 6.7 | 11.6 | 1 | 1.5 | 132978 | QSPK10-3 |  New | 10 |
| 4 | 2.3 | 9.75 | 16.1 | 6.7 | 11.6 | 1 | 1.4 | 132979 | QSPK10-4 |  New | 10 |
| 6 | 3.7 | 10.55 | 18.1 | 6.7 | 11.9 | 1 | 1.8 | 132980 | QSPK10-6 |  New | 10 |

- 1) Corrosion resistance class 1 to Festo standard 940 070
Components requiring low corrosion resistance. Transport and storage protection. Parts that do not have primarily decorative surface requirements, e.g. in internal areas that are not visible or behind covers.
- 2) Packaging unit quantity.


Cartridge fittings QSPLK10


Operating medium:

- Filtered compressed air
- Vacuum

Material:

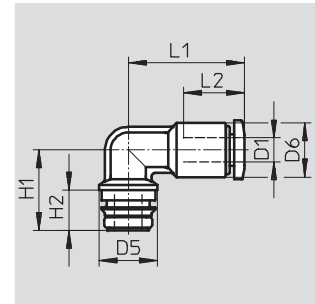
- Housing: Reinforced PA
- Release ring: POM
- Tubing seal: NBR
- Tube retaining claw: High-alloy stainless steel

 - Ambient temperature
-5 ... +60 °C

 - Operating pressure
-0.95 ... +10 bar

Note on materials:
Conforms to RoHS

Certification:
Germanischer Lloyd



| Dimensions and ordering data | | | | | | | | | | | | |
|------------------------------|--------------|------|-----|------|-----|------|------|-------------------|--------------|---------------|------------------|------------------|
| Tubing O.D. | Nominal size | D5 | D6 | H1 | H2 | L1 | L2 | CRC ¹⁾ | Weight/piece | Part No. | Type | PU ²⁾ |
| D1 | [mm] | ∅ | ∅ | | | | | | [g] | | | |
| 4 | 2.3 | 9.75 | 9,4 | 13.4 | 6.7 | 19.4 | 19.4 | 1 | 2.1 | 132601 | QSPLK10-4 | 10 |
| 6 | 3.5 | 9.75 | 11 | 14.4 | 6.7 | 20.3 | 11.9 | 1 | 2.8 | 132602 | QSPLK10-6 | 10 |

- 1) Corrosion resistance class 1 to Festo standard 940 070
Components requiring low corrosion resistance. Transport and storage protection. Parts that do not have primarily decorative surface requirements, e.g. in internal areas that are not visible or behind covers.
- 2) Packaging unit quantity.

Cartridge fittings QSP, Quick Star

Technical data

FESTO


Cartridge fittings QSPLLK10


Operating medium:

- Filtered compressed air
- Vacuum

Material:

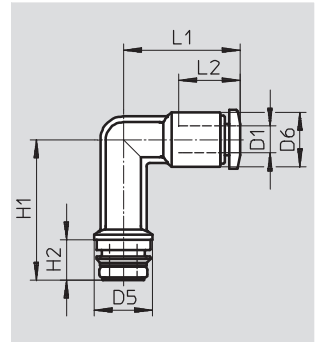
- Housing: Reinforced PA
- Release ring: POM
- Tubing seal: NBR
- Tube retaining claw: High-alloy stainless steel

-  - Ambient temperature
-5 ... +60 °C

-  - Operating pressure
-0.95 ... +10 bar

Note on materials:
Conforms to RoHS

Certification:
Germanischer Lloyd



Dimensions and ordering data

| Tubing O.D. | Nominal size | D5 | D6 | H1 | H2 | L1 | L2 | CRC ¹⁾ | Weight/piece | Part No. | Type | PU ²⁾ |
|-------------|--------------|------|-----|------|-----|------|------|-------------------|--------------|----------|------------|------------------|
| D1 | [mm] | ∅ | ∅ | | | | | | [g] | | | |
| 4 | 2.3 | 9.75 | 9,4 | 23.4 | 6.7 | 19.4 | 11.6 | 1 | 2.4 | 132603 | QSPLLK10-4 | 10 |
| 6 | 3.5 | 9.75 | 11 | 26.4 | 6.7 | 20.3 | 11.9 | 1 | 3.3 | 132604 | QSPLLK10-6 | 10 |

1) Corrosion resistance class 1 to Festo standard 940 070

Components requiring low corrosion resistance. Transport and storage protection. Parts that do not have primarily decorative surface requirements, e.g. in internal areas that are not visible or behind covers.

2) Packaging unit quantity.

Cartridge fittings QSP, Quick Star

Technical data

FESTO


Cartridge fittings QSPK18


Operating medium:

- Filtered compressed air
- Vacuum

Material:

- Housing: Reinforced PA
- Release ring: POM
- Tubing seal: NBR
- Tube retaining claw: High-alloy stainless steel

-  - Ambient temperature
-5 ... +60 °C

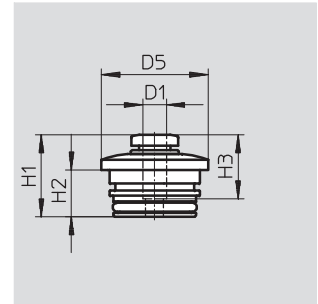
-  - Operating pressure
-0.95 ... +10 bar

Note on materials:
Conforms to RoHS

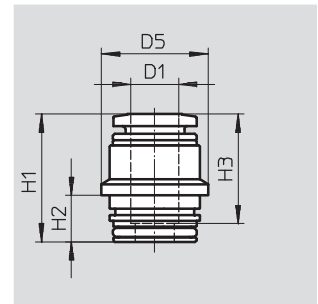
Certification:
Germanischer Lloyd



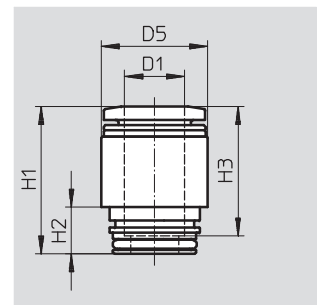
QSP18-4



QSP18-6 / QSP18-8



QSP18-10



| Dimensions and ordering data | | | | | | | | | | |
|------------------------------|--------------|------|------|------|------|-------------------|--------------|----------|-----------|------------------|
| Tubing O.D. | Nominal size | D5 | H1 | H2 | H3 | CRC ¹⁾ | Weight/piece | Part No. | Type | PU ²⁾ |
| D1 | [mm] | ∅ | | | | | [g] | | | |
| 4 | 2.3 | 17.7 | 13.6 | 7.75 | 11.6 | 1 | 2.8 | 130839 | QSPK18-4 | 10 |
| 6 | 3.8 | 17.7 | 13.7 | 7.75 | 11.9 | 1 | 3 | 130840 | QSPK18-6 | 10 |
| 8 | 5.5 | 17.7 | 20.7 | 7.75 | 18.2 | 1 | 5.4 | 130841 | QSPK18-8 | 10 |
| 10 | 6.7 | 17.7 | 24.5 | 7.75 | 20.2 | 1 | 8.1 | 130842 | QSPK18-10 | 10 |

1) Corrosion resistance class 1 to Festo standard 940 070
Components requiring low corrosion resistance. Transport and storage protection. Parts that do not have primarily decorative surface requirements, e.g. in internal areas that are not visible or behind covers.

2) Packaging unit quantity.

Cartridge fittings QSP, Quick Star

Technical data


Cartridge fittings QSPLK18


Operating medium:

- Filtered compressed air
- Vacuum

Material:

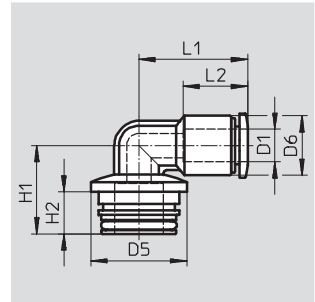
- Housing: Reinforced PA
- Release ring: POM
- Tubing seal: NBR
- Tube retaining claw: High-alloy stainless steel


 Ambient temperature
-5 ... +60 °C

 Operating pressure
-0.95 ... +10 bar

Note on materials:
Conforms to RoHS

Certification:
Germanischer Lloyd



| Dimensions and ordering data | | | | | | | | | | | | |
|------------------------------|--------------|------|------|------|------|------|------|-------------------|--------------|----------|--|------------------|
| Tubing O.D. | Nominal size | D5 | D6 | H1 | H2 | L1 | L2 | CRC ¹⁾ | Weight/piece | Part No. | Type | PU ²⁾ |
| D1 | [mm] | ∅ | ∅ | | | | | | [g] | | | |
| 4 | 2.3 | 17.7 | 9 | 15.3 | 7.75 | 19.4 | 11.6 | 1 | 3.2 | 130843 | QSPLK18-4 | 10 |
| 6 | 3.6 | 17.7 | 11 | 16.3 | 7.75 | 20.3 | 11.9 | 1 | 3.9 | 130844 | QSPLK18-6 | 10 |
| 8 | 5.2 | 17.7 | 15 | 18.3 | 7.75 | 27.2 | 18.2 | 1 | 7.5 | 130845 | QSPLK18-8 | 10 |
| 10 | - | 17.7 | 17.7 | 19.6 | 7.75 | 29.5 | 20.2 | 1 | 11 | 132639 | QSPLK18-10  | 10 |

1) Corrosion resistance class 1 to Festo standard 940 070

Components requiring low corrosion resistance. Transport and storage protection. Parts that do not have primarily decorative surface requirements, e.g. in internal areas that are not visible or behind covers.

2) Packaging unit quantity.


Cartridge fittings QSPLLK18


Operating medium:

- Filtered compressed air
- Vacuum

Material:

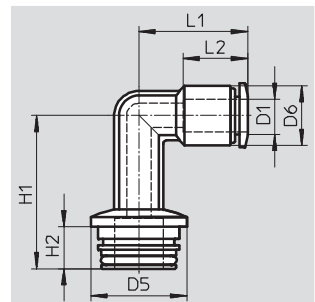
- Housing: Reinforced PA
- Release ring: POM
- Tubing seal: NBR
- Tube retaining claw: High-alloy stainless steel


 Ambient temperature
-5 ... +60 °C

 Operating pressure
-0.95 ... +10 bar

Note on materials:
Conforms to RoHS

Certification:
Germanischer Lloyd



| Dimensions and ordering data | | | | | | | | | | | | |
|------------------------------|--------------|------|------|------|------|------|------|-------------------|--------------|----------|---|------------------|
| Tubing O.D. | Nominal size | D5 | D6 | H1 | H2 | L1 | L2 | CRC ¹⁾ | Weight/piece | Part No. | Type | PU ²⁾ |
| D1 | [mm] | ∅ | ∅ | | | | | | [g] | | | |
| 4 | 2.3 | 17.7 | 9 | 25.3 | 7.75 | 19.4 | 11.6 | 1 | 3.5 | 130846 | QSPLLK18-4 | 10 |
| 6 | 3.6 | 17.7 | 11 | 38.3 | 7.75 | 20.3 | 11.9 | 1 | 4.3 | 130847 | QSPLLK18-6 | 10 |
| 8 | 5.2 | 17.7 | 15 | 34.3 | 7.75 | 27.2 | 18.2 | 1 | 8.1 | 130848 | QSPLLK18-8 | 10 |
| 10 | - | 17.7 | 17.7 | 38.3 | 7.75 | 29.5 | 20.2 | 1 | 12.1 | 132640 | QSPLLK18-10  | 10 |

1) Corrosion resistance class 1 to Festo standard 940 070

Components requiring low corrosion resistance. Transport and storage protection. Parts that do not have primarily decorative surface requirements, e.g. in internal areas that are not visible or behind covers.

2) Packaging unit quantity.

Cartridge fittings QSP, Quick Star

Technical data


Cartridge fittings QSPKG18


Operating medium:

- Filtered compressed air
- Vacuum

Material:

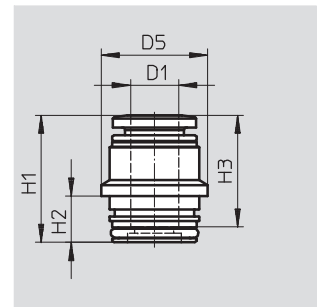
- Housing: Reinforced PA
- Release ring: POM
- Tubing seal: NBR
- Tube retaining claw: High-alloy stainless steel

 - Ambient temperature
-5 ... +60 °C

 - Operating pressure
-0.95 ... +10 bar

Note on materials:
Conforms to RoHS

Certification:
Germanischer Lloyd



| Dimensions and ordering data | | | | | | | | | | |
|------------------------------|--------------|------|------|------|------|-------------------|--------------|---------------|-------------------|------------------|
| Tubing O.D. | Nominal size | D5 | H1 | H2 | H3 | CRC ¹⁾ | Weight/piece | Part No. | Type | PU ²⁾ |
| D1 | [mm] | ∅ | | | | | [g] | | | |
| 8 | 5.5 | 17.7 | 20.7 | 7.75 | 18.2 | 1 | 5.4 | 132649 | QSPKG18-8 | 10 |
| 10 | 6.7 | 17.7 | 24.5 | 7.75 | 20.2 | 1 | 8.1 | 132650 | QSPKG18-10 | 10 |

- 1) Corrosion resistance class 1 to Festo standard 940 070
Components requiring low corrosion resistance. Transport and storage protection. Parts that do not have primarily decorative surface requirements, e.g. in internal areas that are not visible or behind covers.
- 2) Packaging unit quantity.


Cartridge fittings QSPLKG18


Operating medium:

- Filtered compressed air
- Vacuum

Material:

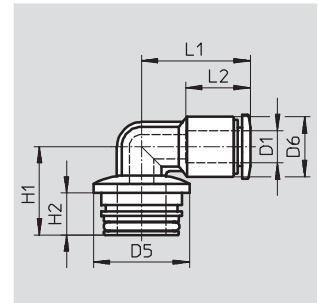
- Housing: Reinforced PA
- Release ring: POM
- Tubing seal: NBR
- Tube retaining claw: High-alloy stainless steel

 - Ambient temperature
-5 ... +60 °C

 - Operating pressure
-0.95 ... +10 bar

Note on materials:
Conforms to RoHS

Certification:
Germanischer Lloyd



| Dimensions and ordering data | | | | | | | | | | | | |
|------------------------------|--------------|------|------|------|------|------|------|-------------------|--------------|---------------|--------------------|------------------|
| Tubing O.D. | Nominal size | D5 | D6 | H1 | H2 | L1 | L2 | CRC ¹⁾ | Weight/piece | Part No. | Type | PU ²⁾ |
| D1 | [mm] | ∅ | ∅ | | | | | | [g] | | | |
| 8 | 5.2 | 17.7 | 15 | 18.3 | 7.75 | 27.2 | 18.2 | 1 | 7.5 | 132946 | QSPLKG18-8 | 10 |
| 10 | 6.7 | 17.7 | 17.7 | 19.6 | 7.75 | 29.5 | 20.2 | 1 | 10.8 | 132947 | QSPLKG18-10 | 10 |

- 1) Corrosion resistance class 1 to Festo standard 940 070
Components requiring low corrosion resistance. Transport and storage protection. Parts that do not have primarily decorative surface requirements, e.g. in internal areas that are not visible or behind covers.
- 2) Packaging unit quantity.

Cartridge fittings QSP, Quick Star

Technical data


Cartridge fittings QSPLLKG18


Operating medium:

- Filtered compressed air
- Vacuum

Material:

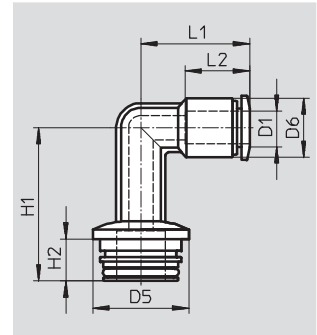
- Housing: Reinforced PA
- Release ring: POM
- Tubing seal: NBR
- Tube retaining claw: High-alloy stainless steel

 Ambient temperature
-5 ... +60 °C

 Operating pressure
-0.95 ... +10 bar

Note on materials:
Conforms to RoHS

Certification:
Germanischer Lloyd



| Dimensions and ordering data | | | | | | | | | | | | |
|------------------------------|--------------|------|------|------|------|------|------|-------------------|--------------|----------|--------------|------------------|
| Tubing O.D. | Nominal size | D5 | D6 | H1 | H2 | L1 | L2 | CRC ¹⁾ | Weight/piece | Part No. | Type | PU ²⁾ |
| D1 | [mm] | ∅ | ∅ | | | | | | [g] | | | |
| 8 | 5.2 | 17.7 | 15 | 18.3 | 7.75 | 27.2 | 18.2 | 1 | 8.1 | 132950 | QSPLLKG18-8 | 10 |
| 10 | 6.4 | 17.7 | 17.7 | 19.6 | 7.75 | 29.5 | 20.2 | 1 | 12 | 132951 | QSPLLKG18-10 | 10 |

1) Corrosion resistance class 1 to Festo standard 940 070
Components requiring low corrosion resistance. Transport and storage protection. Parts that do not have primarily decorative surface requirements, e.g. in internal areas that are not visible or behind covers.

2) Packaging unit quantity.

Cartridge fittings QSP, Quick Star

Technical data

FESTO



Cartridge fittings QSPKG20

Operating medium:

- Filtered compressed air
- Vacuum

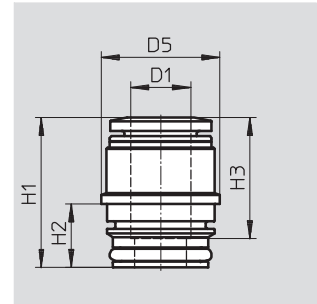
Material:

- Housing: Reinforced PA
- Release ring: POM
- Tubing seal: NBR
- Tube retaining claw: High-alloy stainless steel

-  - Ambient temperature
-5 ... +60 °C
-  - Operating pressure
-0.95 ... +10 bar

Note on materials:
Conforms to RoHS

Certification:
Germanischer Lloyd



| Dimensions and ordering data | | | | | | | | | | |
|------------------------------|--------------|-------|------|------|------|-------------------|--------------|---------------|-------------------|------------------|
| Tube O.D. | Nominal size | D5 | H1 | H2 | H3 | CRC ¹⁾ | Weight/piece | Part No. | Type | PU ²⁾ |
| D1 | [mm] | ∅ | | | | | [g] | | | |
| 8 | 5.4 | 19.75 | 19.1 | 10.6 | 18.2 | 1 | 6 | 132633 | QSPKG20-8 | 10 |
| 10 | 6.4 | 19.75 | 25 | 10.6 | 20.2 | 1 | 9 | 132634 | QSPKG20-10 | 10 |
| 12 | 7.3 | 21.05 | 32.7 | 10.6 | 23.4 | 1 | 12.9 | 132635 | QSPKG20-12 | 10 |

1) Corrosion resistance class 1 to Festo standard 940 070
Components requiring low corrosion resistance. Transport and storage protection. Parts that do not have primarily decorative surface requirements, e.g. in internal areas that are not visible or behind covers.

2) Packaging unit quantity.