

Cartridge fittings QSP, Quick Star, NPT

Technical data


Cartridge fittings QSPKG10


Operating medium:

- Filtered compressed air
- Vacuum

Material:

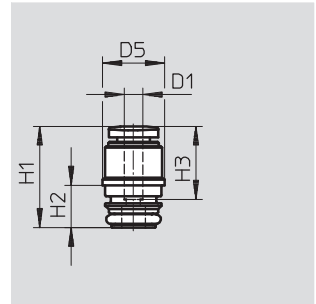
- Housing: PA-GF
- Release ring: POM
- Tubing seal: NBR
- Tube retaining claw: High-alloy stainless steel





 Ambient temperature
-10 ... +60 °C

 Operating pressure
-0.95 ... +10 bar

Note on materials:
Conforms to RoHS

Certification:
Germanischer Lloyd



Dimensions and ordering data										
Tubing O.D.	Nominal size	D5	H1	H2	H3	CRC ¹⁾	Weight/piece	Part No.	Type	PU ²⁾
D1	[mm]	∅					[g]			
1/8	1.6	9.75	16.1	6.7	11.6	1	1.5	132852	QSPKG10-1/8-U  New	1
5/32	2.3	9.75	16.1	6.7	11.6	1	1.4	132624	QSPKG10-5/32-U  New	1
3/16	2.7	10.55	18.2	6.7	12	1	2.0	132625	QSPKG10-3/16-U  New	1
1/4	3.6	10.55	18.3	6.7	11.7	1	1.8	132626	QSPKG10-1/4-U  New	1

1) Corrosion resistance class 1 to Festo standard 940 070
Components requiring low corrosion resistance. Transport and storage protection. Parts that do not have primarily decorative surface requirements, e.g. in internal areas that are not visible or behind covers.

2) Packaging unit quantity.

Cartridge fittings QSP, Quick Star, NPT

Technical data

FESTO


Cartridge fittings QSPLK18


Operating medium:

- Filtered compressed air
- Vacuum

Material:

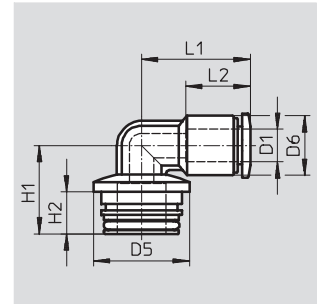
- Housing: PA-GF
- Release ring: POM
- Tubing seal: NBR
- Tube retaining claw: High-alloy stainless steel

 - Ambient temperature
-5 ... +60 °C


 - Operating pressure
-0.95 ... +10 bar

Note on materials:
Conforms to RoHS

Certification:
Germanischer Lloyd



Dimensions and ordering data

Tubing O.D.	Nominal size	D5	D6	H1	H2	L1	L2	CRC ¹⁾	Weight/piece	Part No.	Type	PU ²⁾
D1	[mm]	∅	∅						[g]			
3/8	6.5	17.7	17.7	19.6	7.75	29.5	20.2	1	10.9	132641	QSPLK18-3/8-U  New	10

- 1) Corrosion resistance class 1 to Festo standard 940 070
Components requiring low corrosion resistance. Transport and storage protection. Parts that do not have primarily decorative surface requirements, e.g. in internal areas that are not visible or behind covers.
- 2) Packaging unit quantity.


Cartridge fittings QSPLLK18


Operating medium:

- Filtered compressed air
- Vacuum

Material:

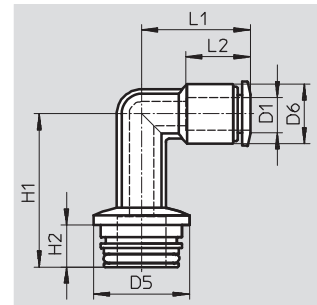
- Housing: PA-GF
- Release ring: POM
- Tubing seal: NBR
- Tube retaining claw: High-alloy stainless steel

 - Ambient temperature
-5 ... +60 °C


 - Operating pressure
-0.95 ... +10 bar

Note on materials:
Conforms to RoHS

Certification:
Germanischer Lloyd



Dimensions and ordering data

Tubing O.D.	Nominal size	D5	D6	H1	H2	L1	L2	CRC ¹⁾	Weight/piece	Part No.	Type	PU ²⁾
D1	[mm]	∅	∅						[g]			
3/8	6.2	17.7	17.7	38.3	7.75	29.5	20.2	1	12.2	132642	QSPLLK18-3/8-U  New	10

- 1) Corrosion resistance class 1 to Festo standard 940 070
Components requiring low corrosion resistance. Transport and storage protection. Parts that do not have primarily decorative surface requirements, e.g. in internal areas that are not visible or behind covers.
- 2) Packaging unit quantity.

Cartridge fittings QSP, Quick Star, NPT

Technical data


Cartridge fittings QSPKG18


Operating medium:

- Filtered compressed air
- Vacuum

Material:

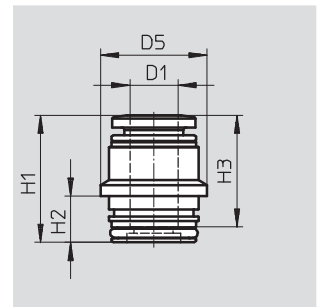
- Housing: Reinforced PA
- Release ring: POM
- Tubing seal: NBR
- Tube retaining claw: High-alloy stainless steel

 - Ambient temperature
-10 ... +60 °C

 - Operating pressure
-0.95 ... +10 bar

Note on materials:
Conforms to RoHS

Certification:
Germanischer Lloyd



Dimensions and ordering data										
Tubing O.D.	Nominal size	D5	H1	H2	H3	CRC ¹⁾	Weight/piece	Part No.	Type	PU ²⁾
D1	[mm]	∅					[g]			
5/16	5.5	17.7	20.7	7.75	18.2	1	5.4	132651	QSPKG18-5/16-U	1
3/8	6.7	17.7	24.5	7.75	20.2	1	8.1	132652	QSPKG18-3/8-U	1

- 1) Corrosion resistance class 1 to Festo standard 940 070
Components requiring low corrosion resistance. Transport and storage protection. Parts that do not have primarily decorative surface requirements, e.g. in internal areas that are not visible or behind covers.
- 2) Packaging unit quantity.


Cartridge fittings QSPLKG18


Operating medium:

- Filtered compressed air
- Vacuum

Material:

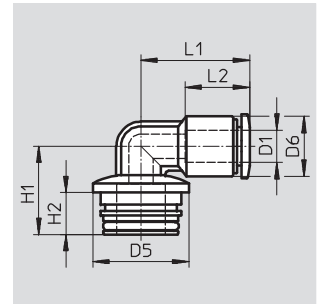
- Housing: Reinforced PA
- Release ring: POM
- Tubing seal: NBR
- Tube retaining claw: High-alloy stainless steel

 - Ambient temperature
-10 ... +60 °C

 - Operating pressure
-0.95 ... +10 bar

Note on materials:
Conforms to RoHS

Certification:
Germanischer Lloyd



Dimensions and ordering data												
Tubing O.D.	Nominal size	D5	D6	H1	H2	L1	L2	CRC ¹⁾	Weight/piece	Part No.	Type	PU ²⁾
D1	[mm]	∅	∅						[g]			
5/16	5.2	17.7	15	18.3	7.5	27.2	18.2	1	7.5	132948	QSPLKG18-5/16-U	1
3/8	6.5	17.7	17.7	19.6	7.5	29.5	20.2	1	10.9	132949	QSPLKG18-3/8-U	1

- 1) Corrosion resistance class 1 to Festo standard 940 070
Components requiring low corrosion resistance. Transport and storage protection. Parts that do not have primarily decorative surface requirements, e.g. in internal areas that are not visible or behind covers.
- 2) Packaging unit quantity.

Cartridge fittings QSP, Quick Star, NPT

Technical data




Cartridge fittings QSPLLKG18


Operating medium:

- Filtered compressed air
- Vacuum

Material:

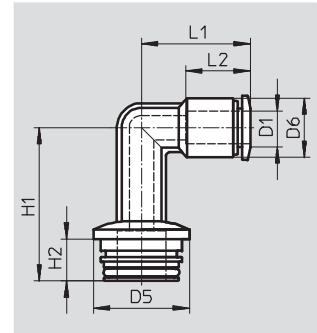
- Housing: Reinforced PA
- Release ring: POM
- Tubing seal: NBR
- Tube retaining claw: High-alloy stainless steel

 - Ambient temperature
-10 ... +60 °C

 - Operating pressure
-0.95 ... +10 bar

Note on materials:
Conforms to RoHS

Certification:
Germanischer Lloyd



Dimensions and ordering data												
Tubing O.D.	Nominal size	D5 ∅	D6 ∅	H1	H2	L1	L2	CRC ¹⁾	Weight/piece [g]	Part No.	Type	PU ²⁾
D1	[mm]											
5/16	5.2	17.7	15	34.3	7.75	27.2	18.2	1	8.1	132952	QSPLLKG18-5/16-U	1
3/8	6.2	17.7	17.7	38.3	7.75	29.2	20.2	1	12.2	132953	QSPLLKG18-3/8-U	1

1) Corrosion resistance class 1 to Festo standard 940 070
Components requiring low corrosion resistance. Transport and storage protection. Parts that do not have primarily decorative surface requirements, e.g. in internal areas that are not visible or behind covers.

2) Packaging unit quantity.

Cartridge fittings QSP, Quick Star, NPT

Technical data


Cartridge fittings QSPKG20


Operating medium:

- Filtered compressed air
- Vacuum

Material:

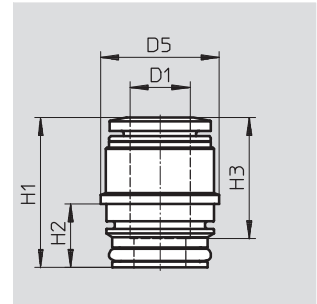
- Housing: Reinforced PA
- Release ring: POM
- Tubing seal: NBR
- Tube retaining claw: High-alloy stainless steel

 Ambient temperature
-10 ... +60 °C

 Operating pressure
-0.95 ... +10 bar

Note on materials:
Conforms to RoHS

Certification:
Germanischer Lloyd



Dimensions and ordering data										
Tubing O.D.	Nominal size	D5 ∅	H1	H2	H3	CRC ¹⁾	Weight/piece [g]	Part No.	Type	PU ²⁾
D1	[mm]									
5/16	5.4	19.75	19.1	10.6	18.2	1	5.9	132636	QSPKG20-5/16-U	1
3/8	6.4	19.75	25	10.6	20.2	1	9.2	132637	QSPKG20-3/8-U	1
1/2	7.3	21.05	32.7	10.6	23.4	1	12.1	132638	QSPKG20-1/2-U	1

1) Corrosion resistance class 1 to Festo standard 940 070
Components requiring low corrosion resistance. Transport and storage protection. Parts that do not have primarily decorative surface requirements, e.g. in internal areas that are not visible or behind covers.

2) Packaging unit quantity.