

Push-in fittings NPQP



Push-in fittings NPQP


Technical data

General technical data	
Size	Standard
Design	Push-pull principle

Materials	
Housing	PP
Tube retaining claw	High-alloy stainless steel
Note on materials	RoHS-compliant
	Contains PWIS (paint-wetting impairment substances)

Operating and environmental conditions	
Operating pressure [bar]	-0.95 ... +10
Operating medium	Filtered compressed air, lubricated or unlubricated
	Vacuum
Ambient temperature [°C]	-20 ... +60
	Extended temperature range on request
Corrosion resistance class CRC ¹⁾	4
ATEX	Specified types → www.festo.com

1) CRC4: Corrosion resistance class to Festo standard 940 070
 Components with very heavy corrosion exposure. Components in contact with aggressive media, e.g. in food or chemical industries. These applications must, if necessary, be verified by special tests with the media concerned.





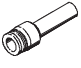




 **Note**

Leaks can occur with large temperature fluctuations due to the high expansion coefficient of polypropylene in combination with the R thread.

To avoid this it is recommended to seal the thread with Loctite® 55 pipe sealing cord.




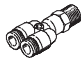
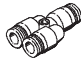
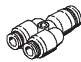
Push-in fittings NPQP

Product range overview

Design	Version	Type	Connection D1			Connection D2		→ Page/ Internet
			R thread	Tubing O.D.	Push-in sleeve ∅	Tubing O.D.	Push-in sleeve ∅	
Inline	Push-in fitting – Male thread with external hex							
		NPQP-D	R1/8	-	-	4, 6, 8	-	5
			R1/4			4, 6, 8, 10		
			R3/8			10, 12		
			R1/2			12		
	Push-in connector							
		NPQP-D	-	-	4	-	4	6
			6		6			
			8		8			
			10		10			
			12		12			
		NPQP-D reducing	-	-	6	-	4	6
8			6					
10			8					
12			10					
Push-in bulkhead connector								
	NPQP-H	-	-	4	-	-	7	
		6						
		8						
		10						
		12						
Push-in connector with push-in sleeve								
	NPQP-D-...-S	-	-	4	-	6, 8	7	
		6		8, 10				
		8		10, 12				
		10		12				
Blanking plug								
	NPQP-P	-	-	4	-	-	8	
		6						
		8						
		10						
		12						
L-shape	Push-in L-fitting – Male thread with external hex							
		NPQP-L	R1/8	-	-	4, 6, 8	-	9
			R1/4			4, 6, 8, 10		
			R3/8			10, 12		
			R1/2			12		
	Push-in L-fitting – Male thread with external hex							
		NPQP-LQ	R1/8	-	-	4, 6, 8	-	9
			R1/4			4, 6, 8, 10		
			R3/8			10, 12		
			R1/2			12		
	Push-in L-connector							
		NPQP-L	-	-	4	-	4	10
6			6					
8			8					
10			10					
12			12					

Push-in fittings NPQP

Product range overview

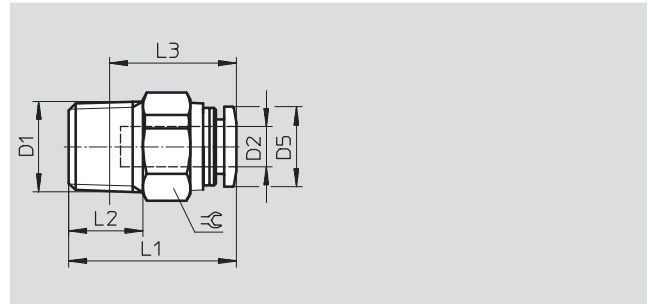
Design	Version	Type	Connection D1			Connection D2		→ Page/ Internet
			R thread	Tubing O.D.	Push-in sleeve ∅	Tubing O.D.	Push-in sleeve ∅	
T-shape	Push-in T-fitting – Male thread with external hex							
		NPQP-T	R1/8	-	-	4, 6, 8	-	11
			R1/4			4, 6, 8, 10		
			R3/8			10, 12		
			R1/2			12		
	Push-in T-connector							
		NPQP-T	-	-	-	4	-	12
			6					
			8					
			10					
12								
	NPQP-T reducing	-	-	-	4	-	12	
		6						
		8						
		10						
		12						
Y-shape	Push-in Y-fitting – Male thread with external hex							
		NPQP-Y	R1/8	-	-	4, 6, 8	-	13
			R1/4			4, 6, 8, 10		
			R3/8			10, 12		
			R1/2			12		
	Push-in Y-connector							
		NPQP-Y	-	-	-	4	-	14
			6					
			8					
			10					
12								
	NPQP-Y reducing	-	-	-	4	-	14	
		6						
		8						
		10						
		12						

Push-in fittings NPQP

Technical data

Push-in fitting NPQP-D

Male thread
with external hex



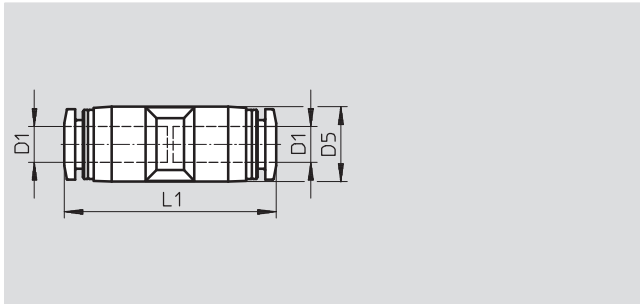
Dimensions and ordering data											
Connection	Nominal size	Tubing O.D.	D5	L1	L2	L3	$\approx \text{C}$	Weight/piece	Part No.	Type	PU ¹⁾
D1	[mm]	D2						[g]			
R $\frac{1}{8}$	2.1	4	9.9	21.1	8	17.1	9	2.5	132417	NPQP-D-R18-Q4	1
	3.4	6	11.8	22.8	8	18.8	14	3.0	132418	NPQP-D-R18-Q6	1
	5.3	8	13.8	27.9	8	23.9	17	4.5	132419	NPQP-D-R18-Q8	1
R $\frac{1}{4}$	2.1	4	9.9	22.3	11	16.3	14	3.5	132420	NPQP-D-R14-Q4	1
	3.4	6	11.8	24.8	11	18.8	14	3.5	132421	NPQP-D-R14-Q6	1
	5.3	8	13.8	26.6	11	20.6	17	4.5	132422	NPQP-D-R14-Q8	1
	6.2	10	16.8	32.6	11	26.6	19	7.0	132423	NPQP-D-R14-Q10	1
R $\frac{3}{8}$	6.2	10	16.8	33.6	12	27.3	19	8.0	132424	NPQP-D-R38-Q10	1
	7.2	12	19.8	37.6	12	31.3	22	12.0	132425	NPQP-D-R38-Q12	1
R $\frac{1}{2}$	7.2	12	19.8	34.1	15	25.9	22	12.0	132426	NPQP-D-R12-Q12	1

1) Packaging unit

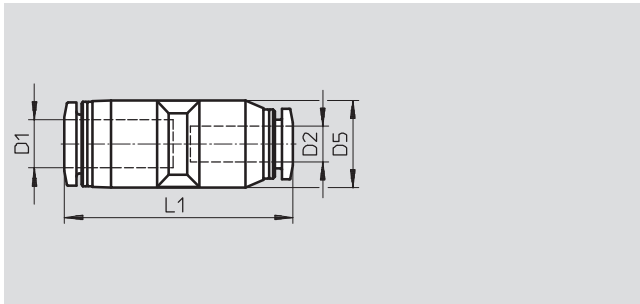
Push-in fittings NPQP

Technical data

Push-in connector NPQD-D



Reducing



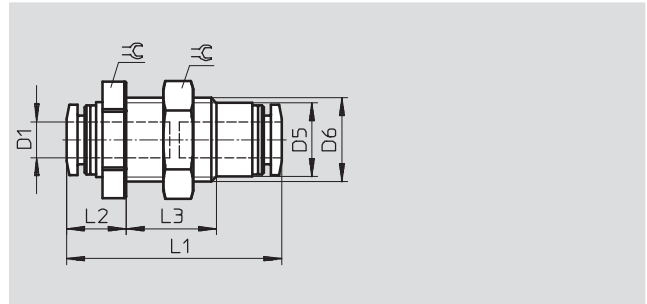
Dimensions and ordering data								
Tubing O.D.	Nominal size	Tubing O.D.	D5	L1	Weight/piece	Part No.	Type	PU ¹⁾
D1	[mm]	D2	∅		[g]			
4	2.6	4	10.0	31.0	4.0	132537	NPQP-D-Q4-E	1
6	4.0	6	12.5	35.2	5.5	132538	NPQP-D-Q6-E	1
8	5.0	8	14.5	37.8	8.0	132539	NPQP-D-Q8-E	1
10	6.7	10	17.5	43.8	13.0	132540	NPQP-D-Q10-E	1
12	8.7	12	21.0	48.2	19.0	132541	NPQP-D-Q12-E	1
Reducing								
6	2.6	4	12.5	34.6	5.5	132543	NPQP-D-Q6-Q4	1
8	4.0	6	14.5	38.0	7.0	132544	NPQP-D-Q8-Q6	1
10	5.0	8	17.5	43.3	12.0	132545	NPQP-D-Q10-Q8	1
12	6.7	10	21.0	48.0	18.0	132546	NPQP-D-Q12-Q10	1

1) Packaging unit

Push-in fittings NPQP

Technical data

Push-in bulkhead connector NPQP-H

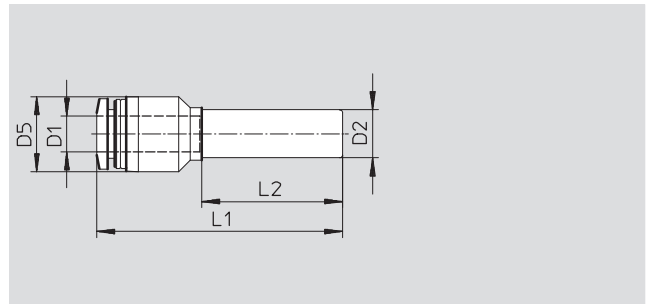


Dimensions and ordering data											
Tubing O.D.	Nominal size	D5 Ø	D6	L1	L2	L3	≈	Weight/piece [g]	Part No.	Type	PU ¹⁾
D1	[mm]										
4	2.3	10.0	M12x1.5	31.6	9.3	12.0	14	7.2	132548	NPQP-H-Q4-E	1
6	3.7	12.3	M14x1.5	35.8	9.9	15.0	17	10.2	132549	NPQP-H-Q6-E	1
8	4.9	14.2	M16x1.5	38.4	10.7	15.5	19	14.3	132550	NPQP-H-Q8-E	1
10	7.1	17.5	M20x2	43.4	13.2	18.5	24	24.4	132551	NPQP-H-Q10-E	1
12	7.8	21.0	M24x2	48.8	13.4	20.5	27	30.4	132552	NPQP-H-Q12-E	1

1) Packaging unit

Push-in connector NPQP-D

with push-in sleeve



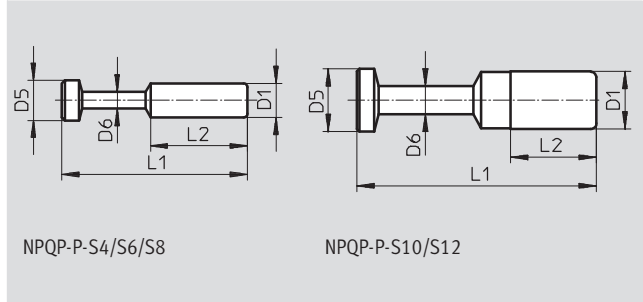
Dimensions and ordering data											
Tubing O.D.	Nominal size	Push-in sleeve Ø	D5 Ø	L1	L2	Weight/piece [g]	Part No.	Type	PU ¹⁾		
D1	[mm]	D2									
4	2.5	6	10.0	37.8	22.3	2.4	132588	NPQP-D-Q4-S6	1		
	2.4	8	12.5	40.3	23.3	3.0	132589	NPQP-D-Q4-S8	1		
6	3.8	8	12.5	40.9	23.3	3.2	132590	NPQP-D-Q6-S8	1		
	3.8	10	12.5	43.9	28.3	3.6	132591	NPQP-D-Q6-S10	1		
8	5.4	10	14.5	43.7	24.8	4.7	132592	NPQP-D-Q8-S10	1		
	5.4	12	14.5	49.7	33.5	5.4	132593	NPQP-D-Q8-S12	1		
10	6.3	12	17.5	50.2	28.8	7.9	132594	NPQP-D-Q10-S12	1		

1) Packaging unit

Push-in fittings NPQP

Technical data

Blanking plug NPQP-P



Dimensions and ordering data								
Push-in sleeve Ø D1	D5 Ø	D6 Ø	L1	L2	Weight/piece [g]	Part No.	Type	PU ¹⁾
4	5	3	27.5	15.0	0.5	132582	NPQP-P-S4	1
6	7	3	32.5	17.0	0.5	132583	NPQP-P-S6	1
8	9	4	36.5	18.1	1.0	132584	NPQP-P-S8	1
10	11	5	42.0	20.2	2.0	132585	NPQP-P-S10	1
12	13	6	44.0	23.4	2.5	132586	NPQP-P-S12	1

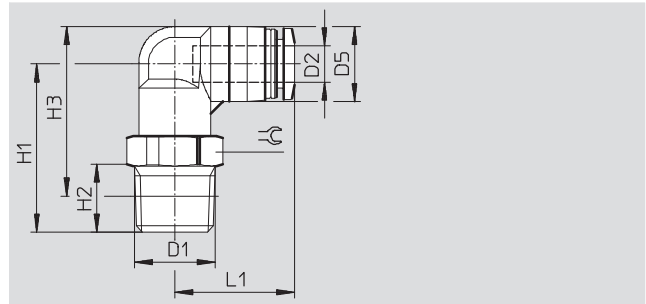
1) Packaging unit

Push-in fittings NPQP

Technical data

Push-in L-fitting NPQP-L

Male thread
with external hex

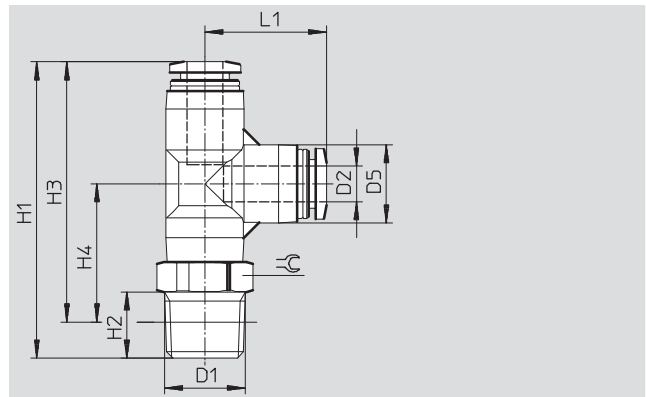


Dimensions and ordering data												
Connection	Nominal size	Tubing O.D.	D5	H1	H2	H3	L1	⌀	Weight/piece	Part No.	Type	PU ¹⁾
D1	[mm]	D2							[g]			
R ¹ / ₈	2.1	4	10.0	23.3	8	24.3	18.1	10	4.0	132428	NPQP-L-R18-Q4	1
	3.3	6	12.5	25.0	8	27.3	19.9	12	5.0	132429	NPQP-L-R18-Q6	1
	4.7	8	14.5	28.0	8	31.3	22.7	14	7.0	132430	NPQP-L-R18-Q8	1
R ¹ / ₄	2.1	4	10.0	26.3	11	25.3	18.1	14	4.5	132431	NPQP-L-R14-Q4	1
	3.3	6	12.5	28.0	11	28.2	19.9	14	5.5	132432	NPQP-L-R14-Q6	1
	4.7	8	14.5	31.0	11	32.2	22.7	14	7.5	132433	NPQP-L-R14-Q8	1
	5.7	10	17.5	36.0	11	38.7	26.4	17	12.0	132434	NPQP-L-R14-Q10	1
R ³ / ₈	5.7	10	17.5	37.0	12	39.4	26.4	17	13.0	132435	NPQP-L-R38-Q10	1
	6.9	12	21.0	39.0	12	43.2	29.6	22	18.0	132436	NPQP-L-R38-Q12	1
R ¹ / ₂	6.9	12	21.0	42.0	15	44.3	29.6	22	19.0	132437	NPQP-L-R12-Q12	1

1) Packaging unit

Push-in L-fitting NPQP-LQ

Male thread
with external hex



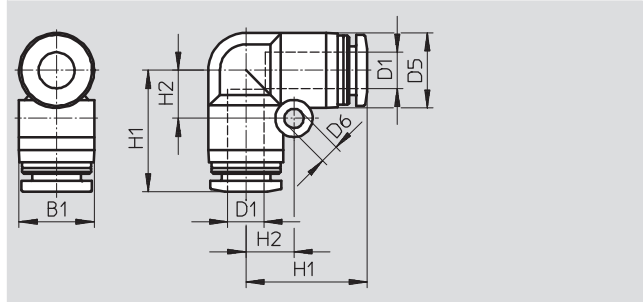
Dimensions and ordering data													
Connection	Nominal size	Tubing O.D.	D5	H1	H2	H3	H4	L1	⌀	Weight/piece	Part No.	Type	PU ¹⁾
D1	[mm]	D2								[g]			
R ¹ / ₈	2.0	4	10.0	40.2	8	36.2	19.2	17.0	10	6.0	132439	NPQP-LQ-R18-Q4	1
	3.3	6	13.0	46.3	8	42.3	22.0	20.2	12	8.0	132440	NPQP-LQ-R18-Q6	1
	4.8	8	15.0	50.4	8	46.4	24.2	22.2	14	11.0	132441	NPQP-LQ-R18-Q8	1
R ¹ / ₄	2.0	4	10.0	43.2	11	37.2	20.2	17.0	14	6.5	132442	NPQP-LQ-R14-Q4	1
	3.3	6	13.0	49.3	11	43.3	23.0	20.2	14	8.5	132443	NPQP-LQ-R14-Q6	1
	4.8	8	15.0	53.4	11	47.4	25.2	22.2	14	12.0	132444	NPQP-LQ-R14-Q8	1
	5.8	10	17.5	61.4	11	55.4	30.0	25.4	17	18.0	132445	NPQP-LQ-R14-Q10	1
R ³ / ₈	5.8	10	17.5	62.4	12	56.1	30.7	25.4	17	19.0	132446	NPQP-LQ-R38-Q10	1
	6.9	12	21.0	67.8	12	61.5	32.9	28.4	22	26.0	132447	NPQP-LQ-R38-Q12	1
R ¹ / ₂	6.9	12	21.0	70.8	15	62.6	34.0	28.4	22	28.0	132448	NPQP-LQ-R12-Q12	1

1) Packaging unit

Push-in fittings NPQP

Technical data

Push-in L-connector NPQP-L



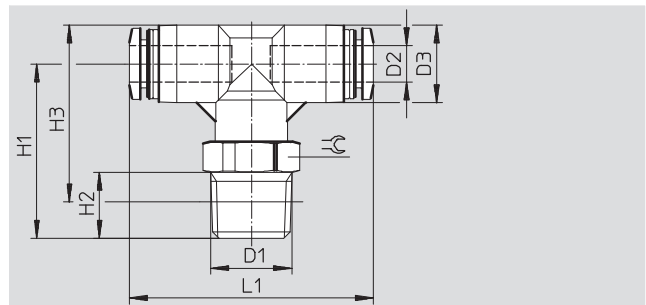
Dimensions and ordering data											
Tubing O.D.	Nominal size	Tubing O.D.	D5	D6	B1	H1	H2	Weight/piece	Part No.	Type	PU ¹⁾
D1	[mm]	D1	∅					[g]			
4	2.3	4	10.0	3.2	10.0	17.0	6.5	4.5	132554	NPQP-L-Q4-E	1
6	3.6	6	12.5	3.2	12.5	20.2	8.0	6.0	132555	NPQP-L-Q6-E	1
8	4.6	8	15.0	4.2	15.6	22.4	10.0	9.0	132556	NPQP-L-Q8-E	1
10	6.2	10	17.5	4.2	18.2	26.4	12.0	14.0	132557	NPQP-L-Q10-E	1
12	7.7	12	21.0	4.2	21.7	29.6	14.0	20.0	132558	NPQP-L-Q12-E	1

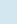
1) Packaging unit

Push-in fittings NPQP

Technical data

Push-in T-fitting NPQP-T



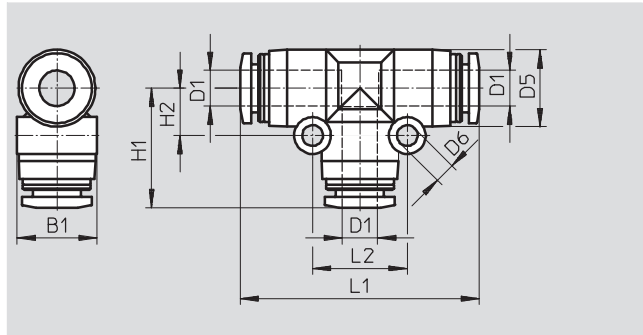
Dimensions and ordering data												
Connection	Nominal size	Tubing O.D.	D5	H1	H2	H3	L1		Weight/ piece [g]	Part No.	Type	PU ¹⁾
D1	[mm]	D2										
R ¹ / ₈	2.0	4	10.0	23.2	8	24.2	34.0	10	6.0	132450	NPQP-T-R18-Q4	1
	3.2	6	13.0	26.0	8	28.5	40.6	12	8.0	132451	NPQP-T-R18-Q6	1
	4.7	8	15.0	26.3	8	29.8	44.8	14	11.0	132452	NPQP-T-R18-Q8	1
R ¹ / ₄	2.0	4	10.0	26.2	11	25.2	34.0	14	6.5	132453	NPQP-T-R14-Q4	1
	3.2	6	13.0	29.0	11	29.5	40.6	14	8.5	132454	NPQP-T-R14-Q6	1
	4.7	8	15.0	29.3	11	30.8	44.8	14	12.0	132455	NPQP-T-R14-Q8	1
	5.8	10	17.5	36.0	11	38.7	50.8	17	18.0	132456	NPQP-T-R14-Q10	1
R ³ / ₈	5.8	10	17.5	37.0	12	39.4	50.8	17	19.0	132457	NPQP-T-R38-Q10	1
	6.9	12	21.0	39.0	12	43.2	57.2	22	26.0	132458	NPQP-T-R38-Q12	1
R ¹ / ₂	6.9	12	21.0	42.0	15	44.3	57.2	22	28.0	132459	NPQP-T-R12-Q12	1

1) Packaging unit

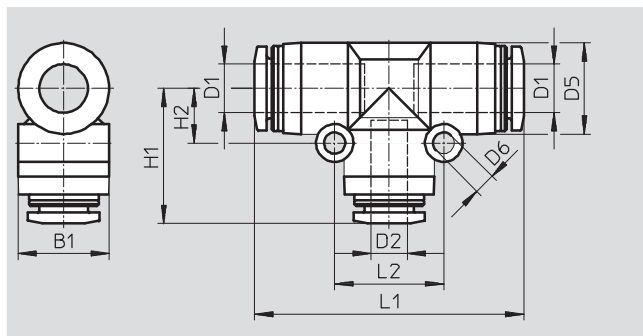
Push-in fittings NPQP

Technical data

Push-in T-connector NPQP-T



Reducing



Dimensions and ordering data													
Tubing O.D.	Nominal size	Tubing O.D.	D5	D6	B1	H1	H2	L1	L2	Weight/ piece	Part No.	Type	PU ¹⁾
D1	[mm]	D2	∅							[g]			
4	2.6	4	10.0	3.2	10.0	17.0	6.5	34.0	13.0	6.5	132560	NPQP-T-Q4-E	1
6	4.0	6	13.0	3.2	13.5	20.2	8.0	40.4	16.0	9.0	132561	NPQP-T-Q6-E	1
8	5.0	8	15.0	3.2	15.0	22.2	9.0	44.4	18.0	13.0	132562	NPQP-T-Q8-E	1
10	6.7	10	17.5	4.2	17.5	25.4	12.0	50.8	24.0	21.0	132563	NPQP-T-Q10-E	1
12	8.7	12	21.0	4.2	21.7	28.4	14.0	57.2	28.0	30.0	132564	NPQP-T-Q12-E	1
Reducing													
6	2.3	4	13.0	3.2	13.5	19.6	8.0	40.4	16.0	9.0	132566	NPQP-T-Q6-Q4	1
8	3.6	6	15.0	3.2	15.0	22.4	9.0	44.4	18.0	12.0	132567	NPQP-T-Q8-Q6	1
10	5.0	8	17.5	4.2	17.5	24.9	12.0	50.8	24.0	19.5	132568	NPQP-T-Q10-Q8	1
12	6.4	10	21.0	4.2	21.7	28.2	14.0	57.2	28.0	28.0	132569	NPQP-T-Q12-Q10	1

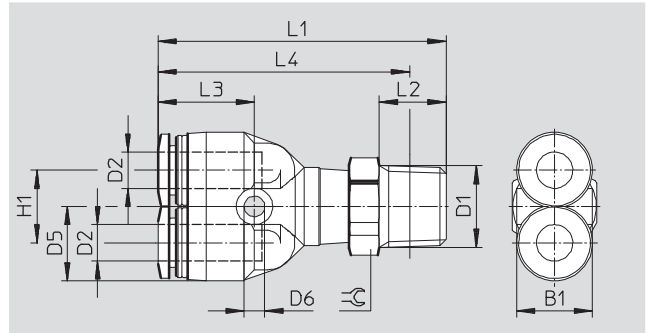
1) Packaging unit

Push-in fittings NPQP

Technical data



Push-in Y-fitting NPQP-Y



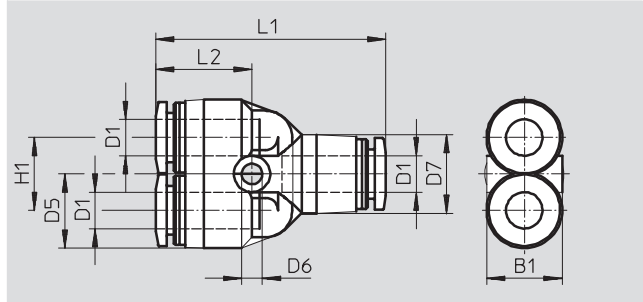
Dimensions and ordering data															
Connection	Nominal size [mm]	Tubing O.D. D2	D5	D6	B1	H1	L1	L2	L3	L4	⌀	Weight/ piece [g]	Part No.	Type	PU ¹⁾
R thread															
R ¹ / ₈	2.0	4	10.0	3.4	10.0	11	40.7	8	14.2	36.7	10	6.5	132461	NPQP-Y-R18-Q4	1
	2.8	6	12.5	3.4	13.5	12	44.5	8	15.9	40.5	12	8.0	132462	NPQP-Y-R18-Q6	1
	4.5	8	14.5	3.4	14.5	14	48.7	8	17.2	44.7	14	12.0	132463	NPQP-Y-R18-Q8	1
R ¹ / ₄	2.0	4	10.0	3.4	10.0	11	43.7	11	14.2	37.7	14	7.0	132464	NPQP-Y-R14-Q4	1
	2.8	6	12.5	3.4	13.5	12	47.5	11	15.9	41.5	14	8.5	132465	NPQP-Y-R14-Q6	1
	4.5	8	14.5	3.4	14.5	14	51.7	11	17.2	45.7	14	12.0	132466	NPQP-Y-R14-Q8	1
	5.3	10	18.0	4.5	18.0	18	58.5	11	19.7	52.5	17	20.0	132467	NPQP-Y-R14-Q10	1
R ³ / ₈	5.3	10	18.0	4.5	18.0	18	59.5	12	19.7	53.2	17	21.0	132468	NPQP-Y-R38-Q10	1
	6.2	12	21.0	4.2	21.0	20	64.7	12	22.4	58.4	22	28.0	132469	NPQP-Y-R38-Q12	1
R ¹ / ₂	6.2	12	21.0	4.2	21.0	20	67.7	15	22.4	59.5	22	30.0	132470	NPQP-Y-R12-Q12	1

1) Packaging unit

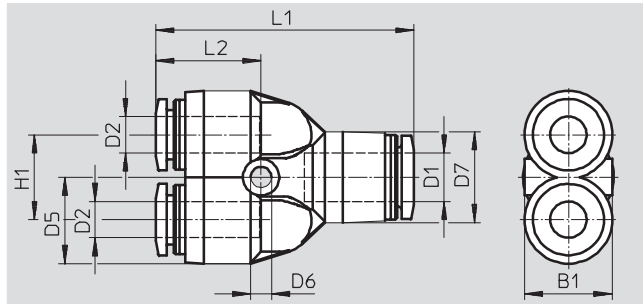
Push-in fittings NPQP

Technical data

Push-in Y-connector NPQP-Y



Reducing



Dimensions and ordering data													
Tubing O.D. D1	Nominal size [mm]	Tubing O.D. D2	D5 ∅	D6	D7	B1	H1	L1	L2	Weight/ piece [g]	Part No.	Type	PU ¹⁾
4	2.3	4	10.0	3.4	10.0	10.0	11.0	33.0	14.2	6.5	132571	NPQP-Y-Q4-E	1
6	3.6	6	12.5	3.4	13.0	13.5	12.0	38.0	15.9	9.0	132572	NPQP-Y-Q6-E	1
8	4.6	8	14.5	3.4	15.0	14.5	14.0	42.4	17.2	13.0	132573	NPQP-Y-Q8-E	1
10	5.9	10	18.0	4.5	18.0	18.0	18.0	48.8	19.7	22.0	132574	NPQP-Y-Q10-E	1
12	7.0	12	21.0	4.2	21.5	21.0	20.0	55.2	22.4	31.0	132575	NPQP-Y-Q12-E	1
Reducing													
6	2.3	4	12.5	3.4	13.0	13.5	12.0	37.4	15.3	8.5	132577	NPQP-Y-Q6-Q4	1
8	3.6	6	14.5	3.4	15.0	14.5	14.0	42.6	17.4	11.5	132578	NPQP-Y-Q8-Q6	1
10	4.7	8	18.0	4.5	18.0	18.0	18.0	48.3	19.2	18.5	132579	NPQP-Y-Q10-Q8	1
12	5.9	10	21.0	4.2	21.5	21.0	20.0	55.0	22.2	28.5	132580	NPQP-Y-Q12-Q10	1

1) Packaging unit