

Push-in fittings NPQM



Push-in fittings NPQM

Technical data

General technical data	
Size	Standard
Design	Push-pull principle
Type of seal on threaded plug	Sealing ring

Materials	
Housing	Nickel-plated brass
Tubing seal	Nitrile rubber
Note on materials	RoHS-compliant




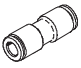


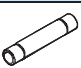
Operating and environmental conditions		
Operating pressure	[bar]	-0.95 ... +16
Operating medium		Filtered compressed air, lubricated or unlubricated
Ambient temperature	[°C]	-20 ... +70
Corrosion resistance class	CRC ¹⁾	1

1) Corrosion resistance class 1 according to Festo standard 940 070
Components subject to low corrosion stress. Transport and storage protection. Parts that do not have primarily decorative surface requirements, e.g. in internal areas that are not visible or behind covers

Push-in fittings NPQM

Product range overview




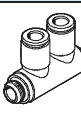


FESTO

Design	Version	Type	Connection D1					Connection D2		→ Page/ Internet
			M thread	R thread	G thread	Tubing O.D.	Push-in sleeve Ø	Tubing O.D.	Push-in sleeve Ø	
Inline	Push-in fitting – Male thread with internal/external hexagon									
		NPQM-D	–	–	G ¹ / ₈ G ¹ / ₄ G ³ / ₈ G ¹ / ₂	–	–	4, 6, 8 6, 8, 10, 12 8, 10, 12, 14 10, 12, 14	–	6
	Push-in fitting – Male thread with internal hexagon									
		NPQM-DK	M5 M7	–	–	–	–	4, 6 4, 6	–	6
	Push-in fitting – Female thread with external hexagon									
		NPQM-D	–	–	G ¹ / ₈ G ¹ / ₄	–	–	4, 6, 8 6, 8, 10	–	7
	Push-in connector									
		NPQM-D	–	–	–	4 6 8 10 12 14	–	4 6 8 10 12 14	–	7
	Push-in bulkhead connector									
		NPQM-H	–	–	–	4 6 8 10 12	–	–	–	8
	Push-in connector with push-in sleeve									
		NPQM-D	–	–	–	4 6 8 10 12	–	–	6, 8 4, 8, 10, 12, 14 6, 10, 12, 14 12, 14 14	8
	Push-in sleeve									
	NPQM-D	–	–	–	–	4 6 8 10 12 14	–	4 6 8 10 12 14	9	

Push-in fittings NPQM

Product range overview

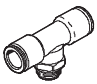



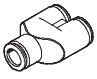
FESTO

Design	Version	Type	Connection D1				Connection D2		→ Page/ Internet		
			M thread	R thread	G thread	Tubing O.D.	Push-in sleeve Ø	Tubing O.D.		Push-in sleeve Ø	
L-shape	Push-in L-fitting – Male thread with external hexagon										
		NPQM-L	M5	-	-	-	-	-	4, 6	-	10
			-		G1/8				4, 6, 8		
					G1/4				6, 8, 10, 12		
					G3/8				8, 10, 12, 14		
					G1/2				10, 12, 14		
	Push-in L-fitting – Male thread with internal hexagon										
		NPQM-LK	M5	-	-	-	-	-	3, 4	-	11
			-		G1/8				4, 6, 8		
					G1/4				6, 8, 10		
					G3/8				10		
	Push-in L-fitting – Male thread with external hexagon										
		NPQM-LH	M5	-	-	-	-	-	4, 6	-	12
			-		G1/8				4, 6, 8		
			G1/4		6, 8						
			G3/8		8, 10, 12						
Two-way multiple distributor – Male thread with internal hexagon											
	NPQM-LFK	-	-	G1/8	-	-	-	4, 6, 8	-	13	
				G1/4				6, 8			
Push-in L-connector											
	NPQM-L	-	-	-	4	-	-	4	-	14	
					6			6			
					8			8			
					10			10			
					12			12			
					14			14			
Push-in L-connector with push-in sleeve											
	NPQM-L	-	-	-	4	-	-	4	-	14	
					6			6			
					8			8			
					10			10			

Push-in fittings NPQM

Product range overview

FESTO

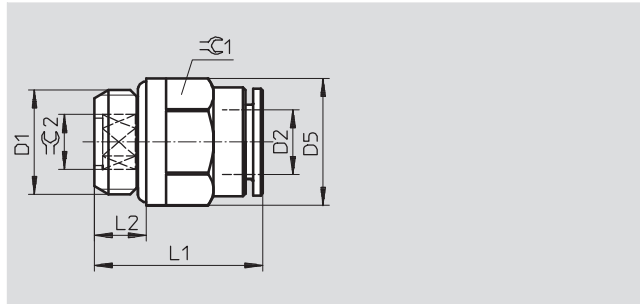
Design	Version	Type	Connection D1					Connection D2		→ Page/ Internet	
			M thread	R thread	G thread	Tubing O.D.	Push-in sleeve Ø	Tubing O.D.	Push-in sleeve Ø		
T-shape	Push-in T-fitting – Male thread with external hexagon										
		NPQM-T	-	-	G 1/8	-	-	4, 6, 8	-	15	
					G 1/4			6, 8, 10			
					G 3/8			8, 10, 12			
					G 1/2			12			
	Push-in T-connector										
		NPQM-T	-	-	-	-	-	4	-	4	16
								6		6	
								8		8	
								10		10	
12								12			
						14		14			
Push-in T-connector with push-in sleeve											
	NPQM-T	-	-	-	-	-	4	-	4	16	
							6		6		
							8		8		
							10		10		
Y-shape	Push-in Y-connector										
		NPQM-Y	-	-	-	-	-	4	-	4	17
								6		6	
								8		8	
								10		10	
								12		12	
		NPQM-Y reducing	-	-	-	-	-	6	-	4	17
								8		6	
								10		8	



Push-in fittings NPQM

Technical data

Push-in fitting NPQM-D

Male thread with internal/external hexagon

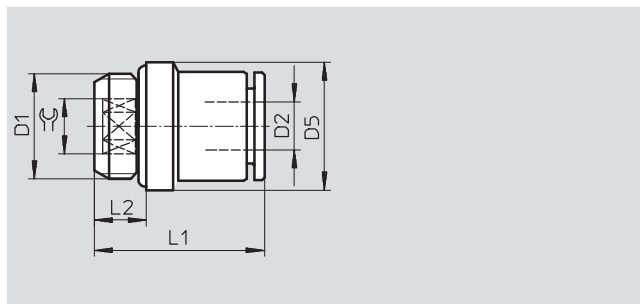


Dimensions and ordering data											
Connection	Nominal size	Tubing O.D.	D5	L1	L2	≈C 1	≈C 2	Weight/piece	Part No.	Type	PU ¹⁾
D1	[mm]	D2	∅					[g]			
G thread with sealing ring											
G ¹ / ₈	3.0	4	13.0	16.5	5.0	9	3	6.1	558661	NPQM-D-G18-Q4-P10	10
	4.0	6	13.5	19.5	5.0	12	4	9.0	558662	NPQM-D-G18-Q6-P10	10
	6.0	8	13.0	23.5	5.0	13	6	11.4	558663	NPQM-D-G18-Q8-P10	10
G ¹ / ₄	4.0	6	16.0	19.5	6.5	12	4	12.7	558664	NPQM-D-G14-Q6-P10	10
	6.0	8	16.0	21.5	6.5	14	6	13.6	558665	NPQM-D-G14-Q8-P10	10
	8.0	10	16.0	27.5	6.5	15	8	17.4	558666	NPQM-D-G14-Q10-P10	10
	8.0	12	16.0	28.5	6.5	19	8	26.2	558667	NPQM-D-G14-Q12-P10	10
G ³ / ₈	6.0	8	20.0	21.0	7.0	14	6	20.1	558668	NPQM-D-G38-Q8-P10	10
	8.0	10	20.0	25.0	7.0	16	8	22.6	558669	NPQM-D-G38-Q10-P10	10
	10.0	12	20.0	28.5	7.0	19	10	28.9	558670	NPQM-D-G38-Q12-P10	10
	10.0	14	20.0	32.0	7.0	22	10	37.5	570450	NPQM-D-G38-Q14-P10	 New 1
G ¹ / ₂	8.0	10	25.0	25.5	8.5	16	8	34.5	558671	NPQM-D-G12-Q10-P10	10
	10.0	12	25.0	26.5	8.5	19	10	36.1	558672	NPQM-D-G12-Q12-P10	10
	12.0	14	25.0	32.0	8.5	22	12	42.4	570451	NPQM-D-G12-Q14-P10	 New 1

1) Packaging unit

Push-in fitting NPQM-DK

Male thread with internal hexagon



Dimensions and ordering data											
Connection	Nominal size	Tubing O.D.	D5	L1	L2	≈C	Weight/piece	Part No.	Type	PU ¹⁾	
D1	[mm]	D2	∅				[g]				
Metric thread with sealing ring											
M5	2.5	4	8.0	19.0	4.0	2.5	4.6	558657	NPQM-DK-M5-Q4-P10	10	
	2.5	6	8.0	22.0	4.0	2.5	8.6	558658	NPQM-DK-M5-Q6-P10	10	
M7	3.0	4	9.0	20.0	5.0	3.0	-	558659	NPQM-DK-M7-Q4-P10	10	
	3.0	6	9.0	23.0	5.0	3.0	-	558660	NPQM-DK-M7-Q6-P10	10	

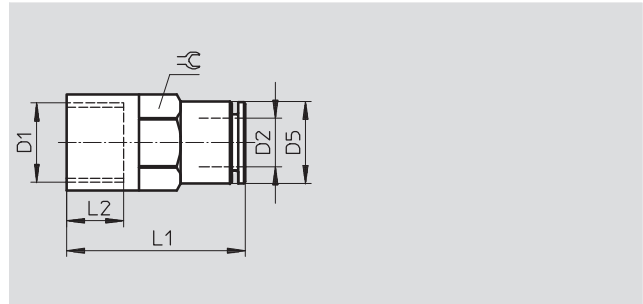
1) Packaging unit

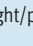
Push-in fittings NPQM

Technical data

Push-in fitting NPQM-D

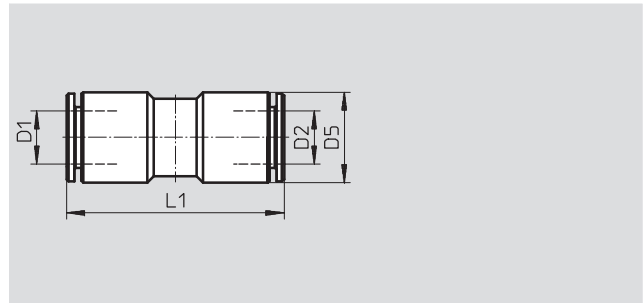
Female thread with external hexagon




Dimensions and ordering data										
Connection	Nominal size	Tubing O.D.	D5	L1	L2		Weight/piece	Part No.	Type	PU ¹⁾
D1	[mm]	D2	∅				[g]			
G thread										
G ¹ / ₈	3.0	4	9.0	23.5	7.5	9	10.0	558674	NPQM-D-G18F-Q4-P10	10
	5.0	6	12.0	26.0	7.5	12	15.1	558675	NPQM-D-G18F-Q6-P10	10
	7.0	8	14.0	26.0	7.5	14	17.5	558676	NPQM-D-G18F-Q8-P10	10
G ¹ / ₄	5.0	6	12.0	30.0	11.0	12	18.5	558678	NPQM-D-G14F-Q6-P10	10
	7.0	8	14.0	30.0	11.0	14	20.2	558679	NPQM-D-G14F-Q8-P10	10
	9.0	10	16.0	32.0	11.0	16	24.4	558680	NPQM-D-G14F-Q10-P10	10

1) Packaging unit

Push-in connector NPQM-D



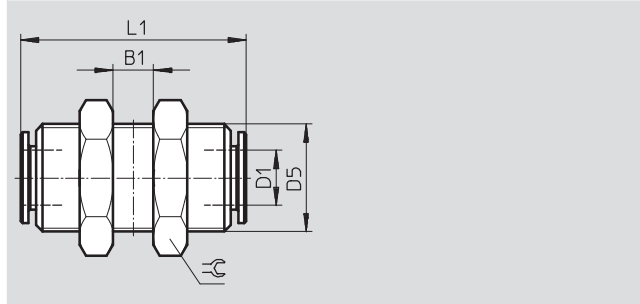
Dimensions and ordering data									
Tubing O.D.	Nominal size	Tubing O.D.	D5	L1	Weight/piece	Part No.	Type	PU ¹⁾	
D1	[mm]	D2	∅		[g]				
4	3.0	4	9.0	28.0	6.8	558760	NPQM-D-Q4-E-P10	10	
6	5.0	6	12.0	33.5	15.0	558761	NPQM-D-Q6-E-P10	10	
8	7.0	8	14.0	34.0	18.0	558762	NPQM-D-Q8-E-P10	10	
10	9.0	10	16.0	38.5	22.5	558763	NPQM-D-Q10-E-P10	10	
12	11.0	12	19.0	41.0	36.6	558764	NPQM-D-Q12-E-P10	10	
14	13.0	14	22.0	47.0	47.4	570452	NPQM-D-Q14-E-P10		1

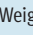
1) Packaging unit

Push-in fittings NPQM

Technical data

Push-in bulkhead connector NPQM-H

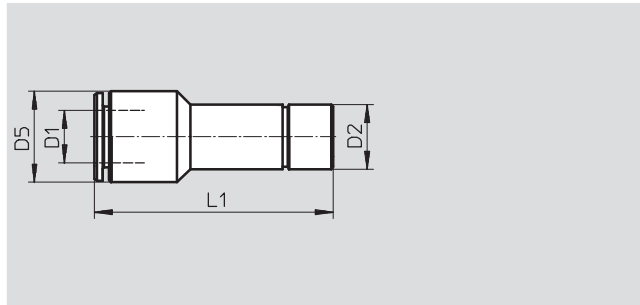





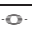

Dimensions and ordering data									
Tubing O.D. D1	Nominal size [mm]	D5	B1	L1		Weight/piece [g]	Part No.	Type	PU ¹⁾
4	3.0	M12x1	11.0	28.0	16	23.5	558806	NPQM-H-Q4-E-P10	10
6	5.0	M14x1	16.0	34.0	18	33.0	558807	NPQM-H-Q6-E-P10	10
8	7.0	M16x1	17.0	34.0	20	39.5	558808	NPQM-H-Q8-E-P10	10
10	9.0	M18x1	19.0	39.0	22	51.5	558809	NPQM-H-Q10-E-P10	10
12	11.0	M20x1	20.0	41.0	24	60.0	558810	NPQM-H-Q12-E-P10	10

1) Packaging unit

Push-in connector NPQM-D

with push-in sleeve



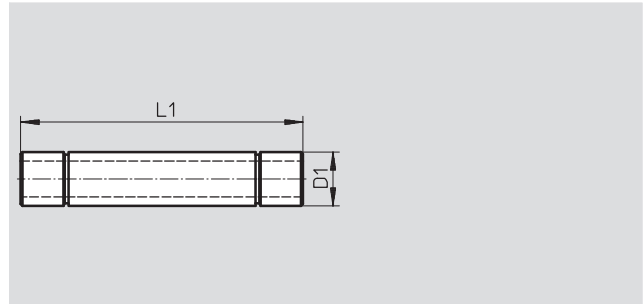
Dimensions and ordering data									
Tubing O.D. D1	Nominal size [mm]	Push-in sleeve D2	D5 Ø	L1	Weight/piece [g]	Part No.	Type		PU ¹⁾
4	3.0	6	9.0	33.5	7.0	558765	NPQM-D-Q4-S6-P10		10
	3.5	8	9.0	33.5	10.0	558766	NPQM-D-Q4-S8-P10		10
6	2.5	4	12.0	35.5	10.0	558767	NPQM-D-Q6-S4-P10		10
	5.0	8	12.0	35.0	11.5	558768	NPQM-D-Q6-S8-P10		10
	5.5	10	12.0	36.5	15.5	558769	NPQM-D-Q6-S10-P10		10
	5.5	12	12.0	35.5	22.2	558770	NPQM-D-Q6-S12-P10		10
	5.0	14	14.0	37.5	25.0	570457	NPQM-D-Q6-S14-P10	 New	1
8	4.0	6	14.0	39.5	13.5	558771	NPQM-D-Q8-S6-P10		10
	7.0	10	14.0	37.0	15.0	558772	NPQM-D-Q8-S10-P10		10
	7.0	12	14.0	39.0	23.0	558773	NPQM-D-Q8-S12-P10		10
	7.0	14	14.0	38.5	31.5	570458	NPQM-D-Q8-S14-P10	 New	1
10	9.0	12	16.0	42.0	20.0	558774	NPQM-D-Q10-S12-P10		10
	9.0	14	16.0	42.0	29.5	570456	NPQM-D-Q10-S14-P10	 New	1
12	11.0	14	19.0	43.0	24.0	570459	NPQM-D-Q12-S14-P10	 New	1


1) Packaging unit

Push-in fittings NPQM

Technical data

Push-in sleeve NPQM-D



Dimensions and ordering data						
Push-in sleeve Ø D1	Nominal size [mm]	L1	Weight/piece [g]	Part No.	Type	PU ¹⁾
4	2.0	35.0	2.8	558811	NPQM-D-S4-E-P10	10
6	4.0	40.0	5.5	558812	NPQM-D-S6-E-P10	10
8	6.0	42.0	7.5	558813	NPQM-D-S8-E-P10	10
10	8.0	50.0	11.0	558814	NPQM-D-S10-E-P10	10
12	10.0	53.0	14.0	558815	NPQM-D-S12-E-P10	10
14	12.0	54.0	18.5	570455	NPQM-D-S14-E-P10  New	1

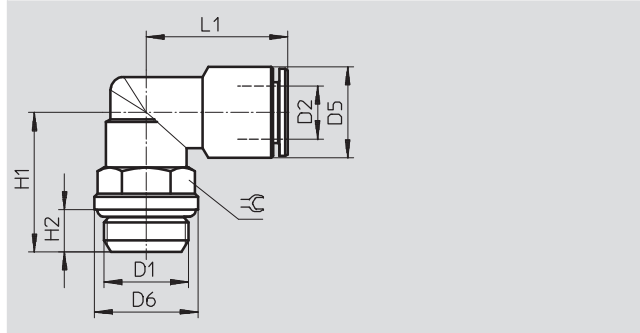
1) Packaging unit



Push-in fittings NPQM

Technical data

Push-in L-fitting NPQM-L

Male thread with external hexagon



Dimensions and ordering data												
Connection	Nominal size	Tubing O.D.	D5	D6	H1	H2	L1	⌀	Weight/ piece	Part No.	Type	PU ¹⁾
D1	[mm]	D2	∅	∅					[g]			
Metric thread with sealing ring												
M5	3.0	4	9.0	8.0	14.0	4.0	17.5	9	8.8	558704	NPQM-L-M5-Q4-P10	10
	3.5	6	12.0	8.0	14.0	4.0	20.5	9	11.9	558705	NPQM-L-M5-Q6-P10	10
G thread with sealing ring												
G ¹ / ₈	3.0	4	9.0	13.0	18.0	5.0	19.5	13	15.7	558708	NPQM-L-G18-Q4-P10	10
	5.0	6	12.0	13.0	18.0	5.0	22.0	13	18.5	558709	NPQM-L-G18-Q6-P10	10
	5.5	8	14.0	13.0	18.0	5.0	22.5	13	22.0	558710	NPQM-L-G18-Q8-P10	10
G ¹ / ₄	5.0	6	12.0	16.0	21.5	6.5	22.0	13	21.8	558711	NPQM-L-G14-Q6-P10	10
	5.5	8	14.0	16.0	21.5	6.5	22.5	13	25.3	558712	NPQM-L-G14-Q8-P10	10
	8.5	10	16.0	16.0	22.0	6.5	26.0	16	34.0	558713	NPQM-L-G14-Q10-P10	10
	11.0	12	19.0	16.0	25.5	6.5	28.5	20	58.5	558714	NPQM-L-G14-Q12-P10	10
G ³ / ₈	6.0	8	14.0	20.0	25.5	7.0	23.0	16	37.7	558715	NPQM-L-G38-Q8-P10	10
	8.5	10	16.0	20.0	25.5	7.0	26.0	16	39.2	558716	NPQM-L-G38-Q10-P10	10
	11.0	12	19.0	20.0	26.0	7.0	28.5	20	56.1	558717	NPQM-L-G38-Q12-P10	10
	12.0	14	22.0	20.0	26.0	7.0	31.0	20	61.6	570460	NPQM-L-G38-Q14-P10	 New 1
G ¹ / ₂	8.5	10	16.0	25.0	27.5	8.5	26.0	16	43.2	558718	NPQM-L-G12-Q10-P10	10
	11.0	12	19.0	25.0	30.5	8.5	28.5	20	65.1	558719	NPQM-L-G12-Q12-P10	10
	12.0	14	22.0	25.0	30.5	8.5	31.0	20	69.9	570461	NPQM-L-G12-Q14-P10	 New 1

1) Packaging unit

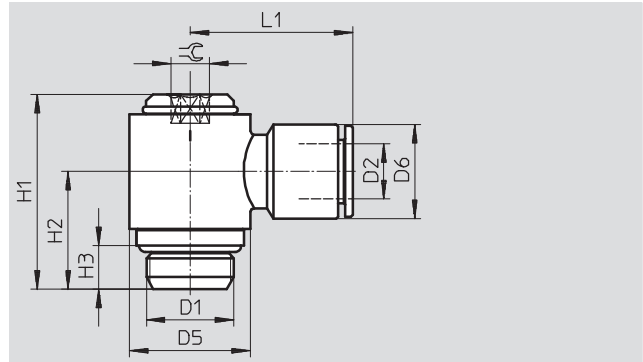
Push-in fittings NPQM

Technical data

FESTO

Push-in L-fitting NPQM-LK

Male thread with internal hexagon



Dimensions and ordering data													
Connection	Nominal size	Tubing O.D.	D5	D6	H1	H2	H3	L1	≈C	Weight/ piece	Part No.	Type	PU ¹⁾
D1	[mm]	D2	∅	∅						[g]			
Metric thread with sealing ring													
M5	2.0	3	10.0	7.0	19.0	11.0	4.0	15.0	3	8.1	558816	NPQM-LK-M5-Q3-P10	10
	2.0	4	10.0	9.0	19.0	11.0	4.0	18.5	3	10.1	558817	NPQM-LK-M5-Q4-P10	10
G thread with sealing ring													
G ¹ / ₈	4.0	4	14.0	9.0	25.5	15.0	5.0	20.5	4	22.2	558818	NPQM-LK-G18-Q4-P10	10
	4.0	6	14.0	12.0	25.5	15.0	5.0	22.5	4	24.4	558819	NPQM-LK-G18-Q6-P10	10
	4.0	8	14.0	14.0	25.5	15.0	5.0	23.5	4	25.7	558820	NPQM-LK-G18-Q8-P10	10
G ¹ / ₄	5.5	6	18.0	12.0	29.0	17.5	6.5	24.0	5	39.3	558821	NPQM-LK-G14-Q6-P10	10
	5.5	8	18.0	14.0	29.0	17.5	6.5	24.5	5	39.1	558822	NPQM-LK-G14-Q8-P10	10
	5.5	10	18.0	16.0	29.0	17.5	6.5	27.0	5	43.6	558823	NPQM-LK-G14-Q10-P10	10
G ³ / ₈	7.0	10	22.0	16.0	32.5	19.5	7.0	29.0	6	62.2	558825	NPQM-LK-G38-Q10-P10	10

1) Packaging unit

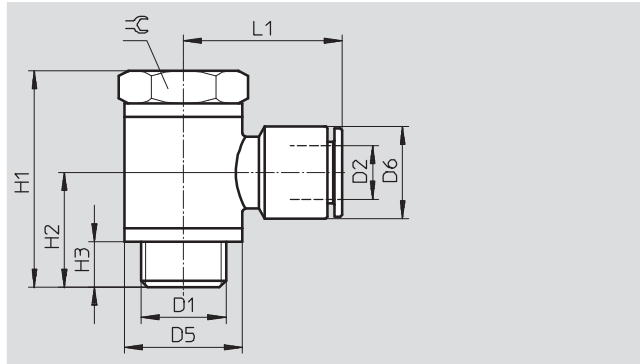
Push-in fittings NPQM

Technical data

FESTO

Push-in L-fitting NPQM-LH

Male thread with external hexagon



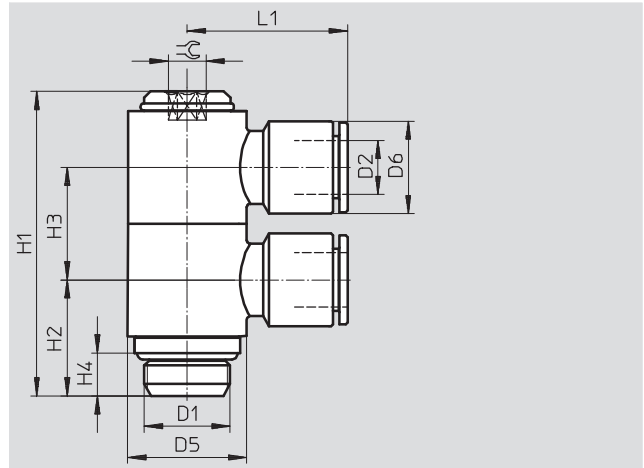
Dimensions and ordering data													
Connection	Nominal size	Tubing O.D.	D5	D6	H1	H2	H3	L1	⌀	Weight/ piece	Part No.	Type	PU ¹⁾
D1	[mm]	D2	∅	∅						[g]			
Metric thread with sealing ring													
M5	3.0	4	10.0	9.0	18.5	10.0	4.0	18.5	8	-	558827	NPQM-LH-M5-Q4-P10	10
	3.5	6	10.0	12.0	18.5	10.0	4.0	21.5	8	-	558828	NPQM-LH-M5-Q6-P10	10
G thread with sealing ring													
G ¹ / ₈	3.0	4	14.0	9.0	27.0	14.0	5.0	20.5	14	-	558829	NPQM-LH-G18-Q4-P10	10
	5.0	6	14.0	12.0	27.0	14.0	5.0	22.5	14	-	558830	NPQM-LH-G18-Q6-P10	10
	6.5	8	14.0	14.0	27.0	14.0	5.0	23.5	14	-	558831	NPQM-LH-G18-Q8-P10	10
G ¹ / ₄	5.0	6	18.0	12.0	31.5	16.5	6.5	24.0	17	-	558832	NPQM-LH-G14-Q6-P10	10
	6.5	8	18.0	14.0	31.5	16.5	6.5	24.5	17	-	558833	NPQM-LH-G14-Q8-P10	10
G ³ / ₈	7.0	8	22.0	14.0	36.0	18.5	7.0	26.5	20	-	558834	NPQM-LH-G38-Q8-P10	10
	8.5	10	22.0	16.0	36.0	18.5	7.0	29.0	20	-	558835	NPQM-LH-G38-Q10-P10	10
	10.5	12	22.0	19.0	36.0	18.5	7.0	29.5	20	-	558836	NPQM-LH-G38-Q12-P10	10

1) Packaging unit

Push-in fittings NPQM

Technical data

Multiple distributor NPQM-LFK
Male thread with internal hexagon



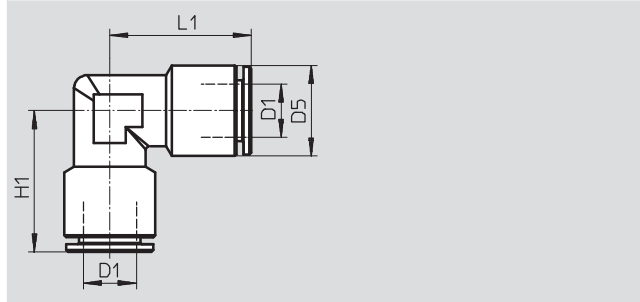
Dimensions and ordering data														
Connection	Nominal size	Tubing O.D.	D5 ∅	D6 ∅	H1	H2	H3	H4	L1	⊕	Weight/ piece [g]	Part No.	Type	PU ¹⁾
D1	[mm]	D2												
G ¹ / ₈	4.0	4	14.0	9.0	40.5	15.0	15.0	5.0	20.5	4	40.0	558837	NPQM-LFK-G18-Q4-P10	10
	4.0	6	14.0	12.0	40.5	15.0	15.0	5.0	22.5	4	46.0	558838	NPQM-LFK-G18-Q6-P10	10
	4.0	8	14.0	14.0	40.5	15.0	15.0	5.0	23.5	4	50.0	558839	NPQM-LFK-G18-Q8-P10	10
G ¹ / ₄	5.5	6	18.0	12.0	46.0	17.5	17.0	6.5	24.0	5	69.5	558840	NPQM-LFK-G14-Q6-P10	10
	5.5	8	18.0	14.0	46.0	17.5	17.0	6.5	24.5	5	69.5	558841	NPQM-LFK-G14-Q8-P10	10


1) Packaging unit

Push-in fittings NPQM

Technical data

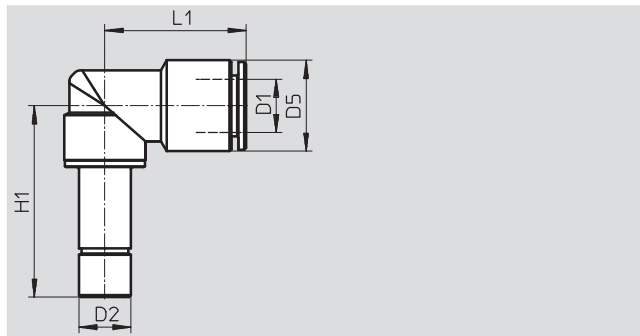
Push-in L-connector NPQM-L



Dimensions and ordering data								
Tubing O.D.	Nominal size	D5	H1	L1	Weight/piece	Part No.	Type	PU ¹⁾
D1	[mm]	∅			[g]			
4	3.0	9.0	17.5	17.5	9.0	558776	NPQM-L-Q4-E-P10	10
6	5.0	12.0	20.5	20.5	16.5	558777	NPQM-L-Q6-E-P10	10
8	7.0	14.0	22.5	22.5	22.0	558778	NPQM-L-Q8-E-P10	10
10	9.0	16.0	25.0	25.0	29.5	558779	NPQM-L-Q10-E-P10	10
12	11.0	19.0	26.5	26.5	48.5	558780	NPQM-L-Q12-E-P10	10
14	12.0	22.0	31.5	31.5	58.0	570453	NPQM-L-Q14-E-P10  New	1

1) Packaging unit

Push-in L-connector NPQM-L with push-in sleeve



Dimensions and ordering data									
Tubing O.D.	Nominal size	Push-in sleeve ∅	D5	H1	L1	Weight/piece	Part No.	Type	PU ¹⁾
D1	[mm]	D2	∅			[g]			
4	3.0	4	9.0	25.5	19.5	14.0	558781	NPQM-L-Q4-S4-P10	10
6	5.0	6	12.0	29.5	22.0	17.0	558782	NPQM-L-Q6-S6-P10	10
8	5.5	8	14.0	29.5	22.5	20.5	558783	NPQM-L-Q8-S8-P10	10
10	8.5	10	16.0	33.5	26.0	30.0	558784	NPQM-L-Q10-S10-P10	10

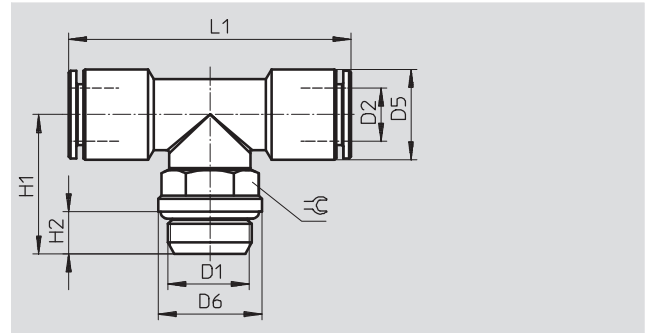
1) Packaging unit

Push-in fittings NPQM

Technical data

Push-in T-fitting NPQM-T

Male thread with external hexagon



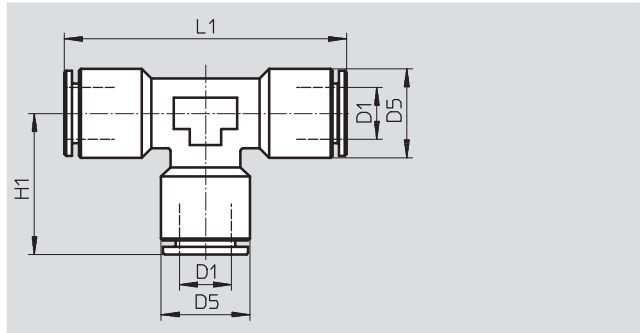
Dimensions and ordering data												
Connection	Nominal size	Tubing O.D.	D5 ∅	D6 ∅	H1	H2	L1	⌀	Weight/piece [g]	Part No.	Type	PU ¹⁾
D1	[mm]	D2										
G thread with sealing ring												
G ¹ / ₈	3.0	4	9.0	13.0	18.0	5.0	39.0	13	20.2	558736	NPQM-T-G18-Q4-P10	10
	5.0	6	12.0	13.0	18.0	5.0	44.0	13	25.2	558737	NPQM-T-G18-Q6-P10	10
	5.5	8	14.0	13.0	18.0	5.0	45.0	13	30.7	558738	NPQM-T-G18-Q8-P10	10
G ¹ / ₄	5.0	6	12.0	16.0	21.5	6.5	44.0	13	29.1	558739	NPQM-T-G14-Q6-P10	10
	5.5	8	14.0	16.0	21.5	6.5	45.0	13	33.6	558740	NPQM-T-G14-Q8-P10	10
	8.5	10	16.0	16.0	22.0	6.5	52.0	16	44.4	558741	NPQM-T-G14-Q10-P10	10
G ³ / ₈	6.0	8	14.0	20.0	25.5	7.0	46.0	16	46.4	558743	NPQM-T-G38-Q8-P10	10
	8.5	10	16.0	20.0	25.5	7.0	52.0	16	49.7	558744	NPQM-T-G38-Q10-P10	10
	11.0	12	19.0	20.0	26.0	7.0	57.0	20	75.3	558745	NPQM-T-G38-Q12-P10	10
G ¹ / ₂	11.0	12	19.0	25.0	30.5	8.5	57.0	20	82.0	558747	NPQM-T-G12-Q12-P10	10


1) Packaging unit

Push-in fittings NPQM

Technical data

Push-in T-connector NPQM-T

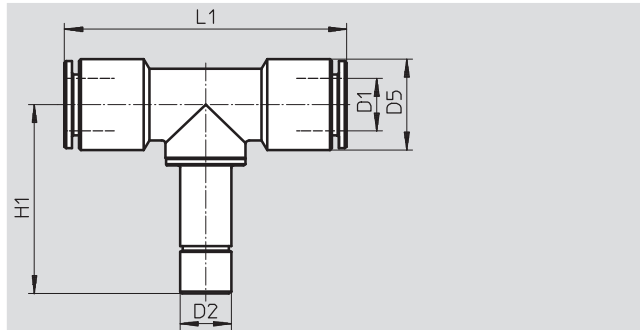


Dimensions and ordering data								
Tubing O.D.	Nominal size	D5 ∅	H1	L1	Weight/piece	Part No.	Type	PU ¹⁾
D1	[mm]				[g]			
4	3.0	9.0	17.5	35.0	12.5	558786	NPQM-T-Q4-E-P10	10
6	5.0	12.0	20.0	40.0	22.5	558787	NPQM-T-Q6-E-P10	10
8	7.0	14.0	21.0	42.0	28.4	558788	NPQM-T-Q8-E-P10	10
10	9.0	16.0	24.5	49.0	39.2	558789	NPQM-T-Q10-E-P10	10
12	11.0	19.0	26.0	52.0	61.3	558790	NPQM-T-Q12-E-P10	10
14	12.0	22.0	30.5	61.0	77.1	570454	NPQM-T-Q14-E-P10  New	1

1) Packaging unit

Push-in T-connector NPQM-T

with push-in sleeve



Dimensions and ordering data									
Tubing O.D.	Nominal size	Push-in sleeve ∅	D5 ∅	H1	L1	Weight/piece	Part No.	Type	PU ¹⁾
D1	[mm]	D2				[g]			
4	3.0	4	9.0	25.5	39.0	18.5	558791	NPQM-T-Q4-S4-P10	10
6	5.0	6	12.0	29.5	44.0	24.5	558792	NPQM-T-Q6-S6-P10	10
8	5.5	8	14.0	29.5	45.0	29.0	558793	NPQM-T-Q8-S8-P10	10
10	8.5	10	16.0	33.5	52.0	41.0	558794	NPQM-T-Q10-S10-P10	10

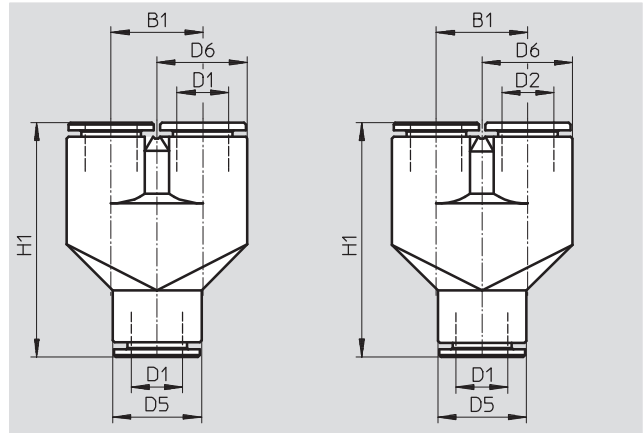
1) Packaging unit

Push-in fittings NPQM

Technical data

FESTO

Push-in Y-connector NPQM-Y



Dimensions and ordering data										
Tubing O.D.	Nominal size	Tubing O.D.	D5	D6	B1	H1	Weight/piece	Part No.	Type	PU ¹⁾
D1	[mm]	D2	∅	∅			[g]			
4	3.5	4	9.0	9.25	9.5	29.5	13.5	558798	NPQM-Y-Q4-E-P10	10
6	5.5	6	12.0	12.25	12.5	36.0	32.0	558799	NPQM-Y-Q6-E-P10	10
8	7.5	8	14.0	14.25	14.5	37.5	42.5	558800	NPQM-Y-Q8-E-P10	10
10	9.5	10	16.0	16.25	16.5	44.5	-	558801	NPQM-Y-Q10-E-P10	10
12	11.5	12	19.0	19.25	19.5	49.0	-	558802	NPQM-Y-Q12-E-P10	10
Reducing										
6	3.5	4	12.0	12.25	12.5	36.0	-	558803	NPQM-Y-Q6-Q4-P10	10
8	5.5	6	14.0	14.25	14.5	38.5	-	558804	NPQM-Y-Q8-Q6-P10	10
10	7.5	8	16.0	16.25	16.5	44.0	-	558805	NPQM-Y-Q10-Q8-P10	10

1) Packaging unit