

Electrical connection technology, for multi-pin plug connection

Technical data – NEBV-S1W25-...

- Connecting cable for multi-pin plug connection
- Pre-assembled
- Cable lengths 2.5 m, 5 m or 10 m
- 18, 25 or 40 wires
- Sub-D



General technical data				
Type		NEBV-S1W25-...-LE15	NEBV-S1W25-...-LE25	NEBV-S1W44-...-LE39
Type of mounting		4-40UNC		
Nominal operating voltage	[V DC]	≤24		
Acceptable current load at 40 °C	[A]	2.95	1.64	0.86
Electrical connection		Socket, Sub-D, 25-pin	Socket, Sub-D, 25-pin	Socket, Sub-D, 44-pin
Cable diameter	[mm]	9.5	9.9	8.9
Protection class to EN 60529		IP65		
Materials	Housing	Thermoplastic elastomer		
	Cable sheath	Polyvinyl chloride		
	Pin contacts	Gold-plated bronze		

Operating and environmental conditions		
Ambient temperature	[°C]	-40 ... +80
Ambient temperature with flexible cable installation	[°C]	-5 ... +80

Ordering data					
	Cable composition [mm ²]	Product weight [g]	Cable length [m]	Type	Part No.
	18x0.34	500	2.5	NEBV-S1W25-K-2.5-N-LE15	565280
	18x0.34	850	5	NEBV-S1W25-K-5-N-LE15	565281
	18x0.34	1,580	10	NEBV-S1W25-K-10-N-LE15	565282
	25x0.25	520	2.5	NEBV-S1W25-K-2,5-N-LE25	565283
	25x0.25	850	5	NEBV-S1W25-K-5-N-LE25	565284
	25x0.25	1,500	10	NEBV-S1W25-K-10-N-LE25	565285
	40x0.14	490	2.5	NEBV-S1W44-K-2.5-N-LE39	565286
	40x0.14	850	5	NEBV-S1W44-K-5-N-LE39	565287
	40x0.14	1,530	10	NEBV-S1W44-K-10-N-LE39	565288

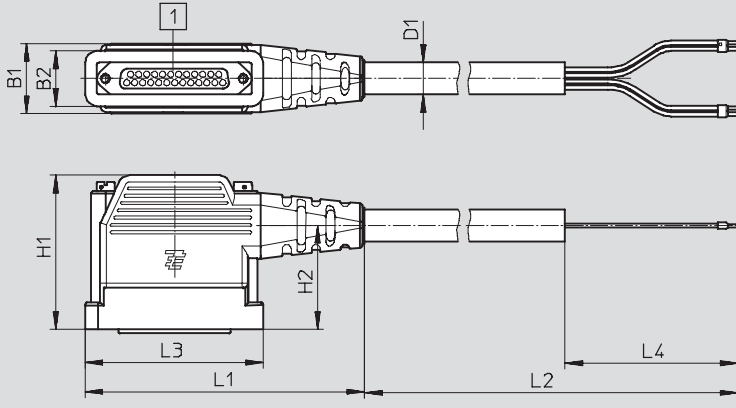
Electrical connection technology, for multi-pin plug connection

Technical data – NEBV-S1W25-...



Dimensions

Download CAD data → www.festo.com



Type	1 Number of pins	B1	B2	D1 Ø	H1	H2	L1	L2	L3
NEBV-S1W25-K-...-LE25	25	24	19	9.5	52.7	35.5	95.5	Length according to type (2.5 m, 5 m or 10 m)	61
NEBV-S1W25-K-...-LE15				9.9					
NEBV-S1W44-K-...-LE39	44			8.9					

Circuitry (view of socket)

	NEBV-S1W25-K-...-LE15		NEBV-S1W25-K-...-LE25	
	Pin	Wire colour ¹⁾	Pin	Wire colour ¹⁾
	1	WH	1	WH
	2	BN	2	BN
	3	GN	3	GN
	4	YE	4	YE
	5	GY	5	GY
	6	PK	6	PK
	7	BU	7	BU
	8	RD	8	RD
	9	BK	9	BK
	10	VT	10	VT
	11	GY PK	11	GY PK
	12	RD BU	12	RD BU
	13	–	13	GN WH
	14	–	14	BN GN
	15	–	15	YE WH
	16	–	16	BN YE
	17	–	17	GY WH
	18	–	18	BN GY
	19	–	19	WH PK
	20	–	20	BN PK
	21	–	21	BU WH
	22	–	22	BN BU
	23	GN WH	23	RD WH
	24	BN GN	24	BN RD
	25	YE WH	25	BK WH

1) To IEC 757

Electrical connection technology, for multi-pin plug connection

Technical data – NEBV-S1W25-...

Circuitry (view of socket)		NEBV-S1W44-K-...-LE39				
		Pin	Wire colour ¹⁾		Pin	Wire colour ¹⁾
	1	WH		23	WH RD	
	2	BN		24	BN RD	
	3	GN		25	WH BK	
	4	YE		26	BN BK	
	5	GY		27	GY GN	
	6	PK		28	YE GY	
	7	BU		29	PK GN	
	8	RD		30	YE PK	
	9	BK		31	GN BU	
	10	VT		32	YE BU	
	11	GY PK		33	GN RD	
	12	RD BU		34	YE RD	
	13	WH GN		35	GN BK	
	14	BN GN		36	–	
	15	WH YE		37	–	
	16	YE BN		38	–	
	17	WH GY		39	–	
	18	GY BN		40	–	
	19	WH PK		41	YE BK	
	20	PK BN		42	GY BU	
	21	WH BU		43	PK BU	
	22	BN BU		44	GY RD	

1) To IEC 757