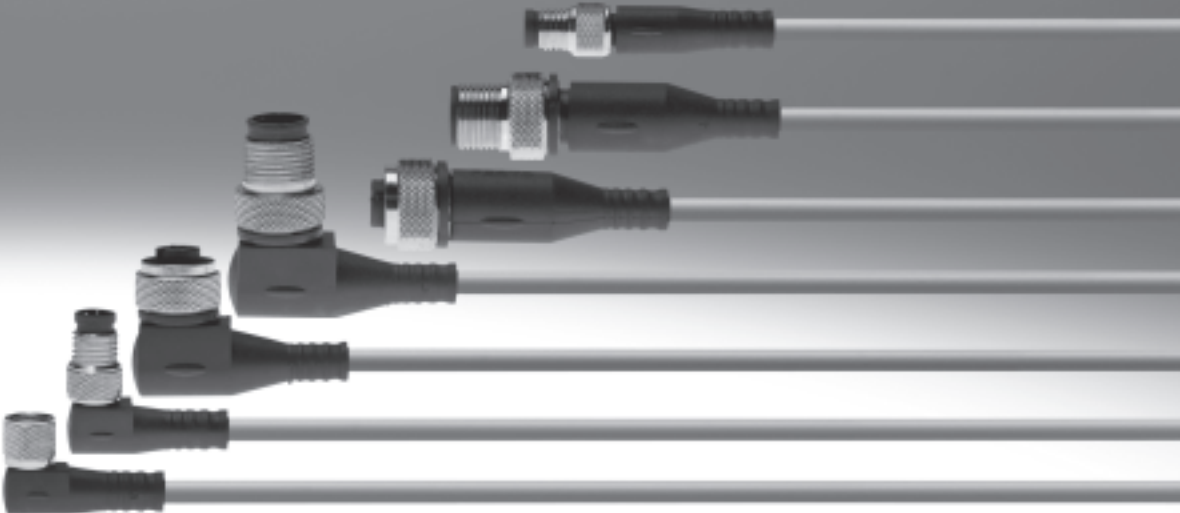


Connecting cables, universal



# Connecting cables, universal

Key features

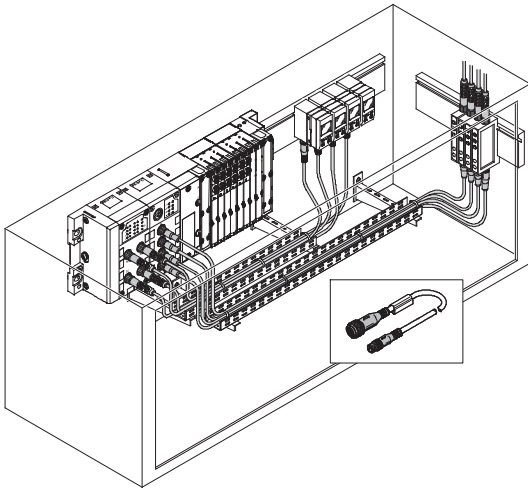
FESTO

## Cable attributes

The connecting cables NEBU can be configured using the modular system. You can choose from attributes that

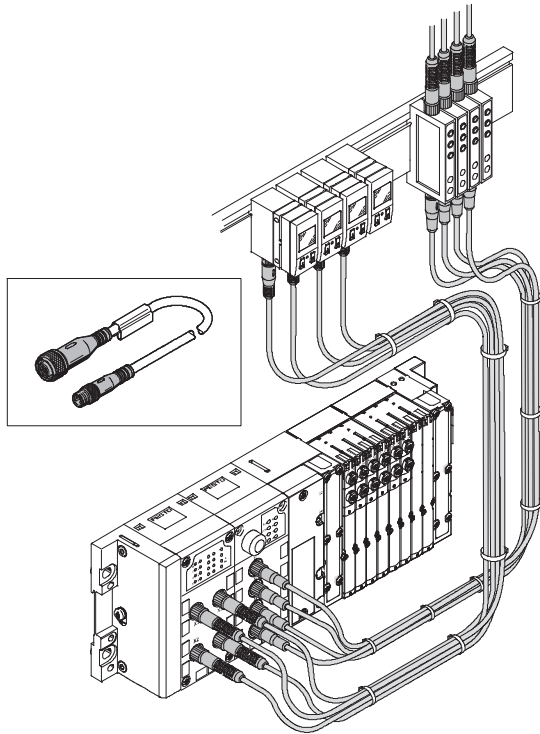
are suited to basic, standard, energy chain or robot applications.

## Basic application



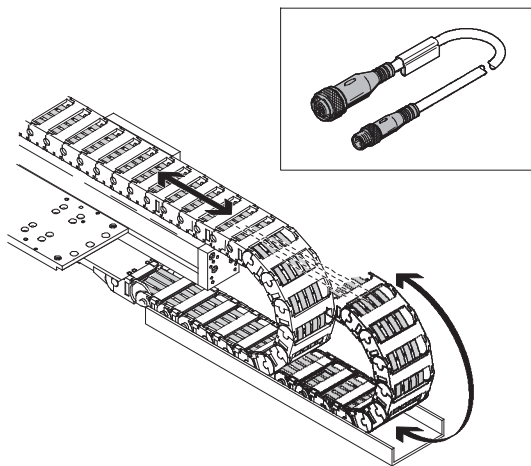
Basic applications are characterised by fixed cable installation with no mechanical loads.

## Standard application



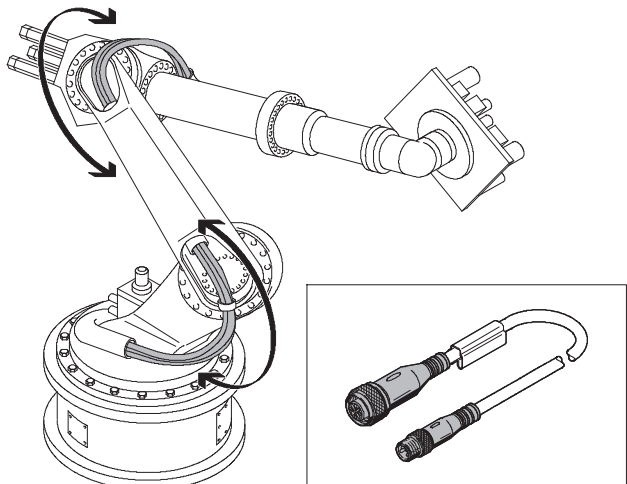
Standard applications are characterised by fixed cable installation or small to medium mechanical loads.

## Energy chain application



Energy chain applications involve high mechanical loads, particularly if very small radii are required.

## Robot application



Robot applications involve high mechanical loads that are primarily caused by torsion.

# Connecting cables, universal

Product range overview

FESTO

Type	Electrical connection		Number of wires	Cable length [m]	→ Page/ Internet
	Left-hand end	Right-hand end			
<b>Cable property: Basic</b>					
NEBU-LE	Open end	Plug M8x1	3, 4, 5	0.1 ... 30	12
		Plug M12x1			
NEBU-M8	Socket M8x1	Open end	2, 3, 4	0.1 ... 30	12
		Plug M8x1			
		Plug M12x1			
NEBU-M12	Socket M12x1	Open end	3, 4, 5	0.1 ... 30	12
		Plug M8x1			
		Plug M12x1			
<b>Cable property: Standard</b>					
NEBU-LE	Open end	Plug M8x1	3, 4, 5	0.1 ... 30	12
		Plug M12x1			
NEBU-M5	Socket M5x0.5	Open end	3	5	6
		Plug M8x1	3	1	
		Plug M12x1	4	1	
NEBU-M8	Socket M8x1	Open end	2, 3, 4	0.1 ... 30	12
		Plug M8x1			
		Plug M12x1			
SIM-M8	Socket M8x1	Open end	3	2.5/5/10	26
			4	2.5/5	
NEBU-M12	Socket M12x1	Open end	3, 4, 5	0.1 ... 30	12
		Plug M8x1			
		Plug M12x1			
		Open end	8	2/5	23
SIM-M12	Socket M12x1	Open end	3	2.5/5	26
			4	5	
			5	2.5/5	
			8	2/5/10	
KM12-8	Socket M12x1	Plug M12x1	8	2	32
<b>Cable property: Suitable for use with energy chains</b>					
NEBU-M8	Socket M8x1	Open end	3, 4	0.1 ... 30	12
		Plug M8x1			
		Plug M12x1			
NEBU-M12	Socket M12x1	Open end	3, 4, 5	0.1 ... 30	12
		Plug M8x1			
		Plug M12x1			
<b>Cable property: Suitable for robots</b>					
NEBU-M8	Socket M8x1	Open end	3, 4	0.1 ... 30	12
		Plug M8x1			
		Plug M12x1			
NEBU-M12	Socket M12x1	Open end	3, 4, 5	0.1 ... 30	12
		Plug M8x1			
		Plug M12x1			

# Connecting cables, universal

Product range overview



Type	Electrical connection		Number of wires	Cable length [m]	→ Page/ Internet
	Left-hand end	Right-hand end			
<b>With switching status display</b>					
NEBU-M8	Socket M8x1	Open end	3	0.1 ... 30	12
		Plug M8x1			
		Plug M12x1			
SIM-M8	Socket M8x1	Open end	3	2.5/5	26
<b>Welding field immune</b>					
NEBU-M12	Socket M12x1	Open end	3	0.1 ... 30	12
		Plug M8x1			
		Plug M12x1			
SIM-M12	Socket M12x1	Open end	3	2.5/5	26
<b>Clip-on</b>					
SIM-K	Clip-on socket	Open end	3	2.5/5/10	36
			4	2.5/5	
<b>Clean Design</b>					
SIM-K-CDN	Clip-on socket	Open end	3	2.5/5	38

# Connecting cables NEBU-M5

Type codes

NEBU - M5 G 4 - K - 1 - Q3 - M8 G 3

**Function**

NEBU Connecting cable

**Connection technology, left-hand end**

M5 Socket with connecting thread

**Socket design**

G Straight

**Number of pins/wires (left-hand end)**

4 4-pin

**Cable property**

K Standard

**Cable length**

1 1 m

5 5 m

**Alternative wire cross section**

Q3 0.14 mm<sup>2</sup>

**Connection technology, right-hand end**

**Cable length 5 m**

LE Open end

**Cable length 1 m**

M8 Plug with connecting thread

M12 Plug with connecting thread,  
A-coded

**Plug design**

Open end

G Straight

**Number of pins/wires (right-hand end)**

**Connection technology, right-hand end, LE or M8**

3 3-pin

**Connection technology, right-hand end, M12**

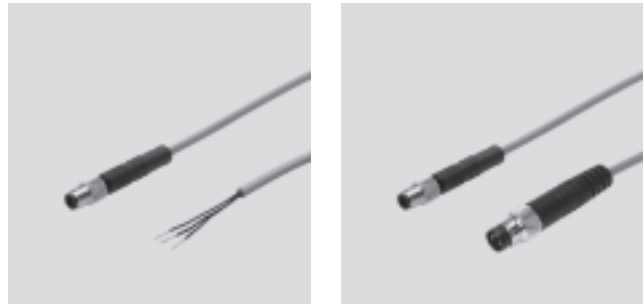
4 4-pin

# Connecting cables NEBU-M5

Technical data

FESTO

## Connecting cable NEBU-M5



Electronic components		
Operating voltage range	[V AC]	30
Operating voltage range	[V DC]	30

Electromechanical components – Connection technology			
Type	NEBU-M5G4-K-5-Q3-LE3	NEBU-M5G4-K-1-Q3-M8G3	NEBU-M5G4-K-1-Q3-M12G4
Connection technology, left-hand end			
Electrical connection	Straight socket		
	M5x0.5		
	4-pin		
Connection technology, right-hand end			
Electrical connection	Open end	Straight plug	Straight plug
	–	M8x1	M12x1
	3-wire	4-pin	4-pin
Max. tightening torque, socket	[Nm] 0.3	0.3	0.3
Max. tightening torque, plug	[Nm] –	0.3	0.5
Cable property	Standard	Standard	Standard
Cable test conditions, standard	Energy chain: 5 million cycles, bending radius 75 mm		
	Resistance to bending: to Festo standard		
	Test conditions on request		
Cable length	[m] 5	1	1
Cable sheath colour	Grey	Grey	Grey
Cable composition	3x0.14 mm <sup>2</sup>	3x0.14 mm <sup>2</sup>	4x0.14 mm <sup>2</sup>
Cable type	LiFY11Y	LiFY11Y	LiFY11Y
Information on cable sheath materials	TPE-U(PU)	TPE-U(PU)	TPE-U(PU)
Information on pin contact materials	Gold-plated brass	Gold-plated brass	Gold-plated brass
Cable diameter	[mm] 2.9	2.9	3.4
Conductor nominal cross section	[mm <sup>2</sup> ] 0.14	0.14	0.14
Wire ends	Wire end sleeve	–	–
Acceptable current load	[A] 1.7	1.7	1.7

# Connecting cables NEBU-M5

Technical data

Mechanical components			
Type	NEBU-M5G4-K-5-Q3-LE3	NEBU-M5G4-K-1-Q3-M8G3	NEBU-M5G4-K-1-Q3-M12G4
Min. cable bending radius [mm]	30	30	35
Type of mounting	Via knurled nut Via union nut		
Housing colour	Black		
Information on housing materials	TPE-U(PU)		
Information on union nut materials	Nickel-plated brass		

Immissions/emissions	
Protection class	IP65, IP67
Degree of contamination	3

Pin allocation		
NEBU-M5G4-K-5-Q3-LE3		
Socket M5x0.5, 4-pin	Pin	Wire colour
	1	Brown
	3	Blue
	4	Black

NEBU-M5G4-K-1-Q3-M8G3			NEBU-M5G4-K-1-Q3-M8G3		
Socket M5x0.5, 4-pin	Pin	Wire colour	Plug M8x1, 3-pin	Pin	Wire colour
	1	Brown		1	Brown
	3	Blue		3	Blue
	4	Black		4	Black

NEBU-M5G4-K-1-Q3-M12G4			NEBU-M5G4-K-1-Q3-M12G4		
Socket M5x0.5, 4-pin	Pin	Wire colour	Plug M12x1, 4-pin	Pin	Wire colour
	1	Brown		1	Brown
	2	White		2	White
	3	Blue		3	Blue
	4	Black		4	Black

**Dimensions** Download CAD data → [www.festo.com](http://www.festo.com)

NEBU-M5G4-K-5-Q3-LE3

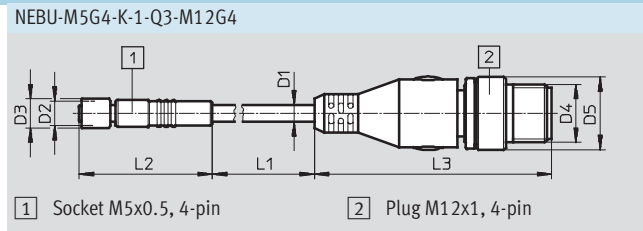
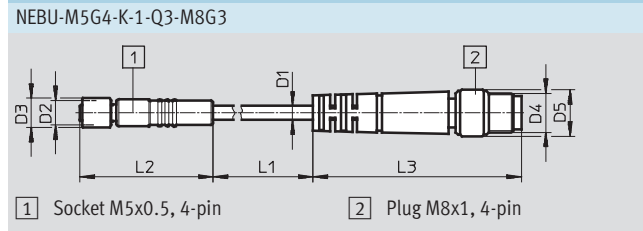
1 Socket M5x0.5, 4-pin

Type	D1	D2	D3	L1	L2	L3
	∅		∅	[m]		±2
NEBU-M5G4-K-5-Q3-LE3	2.9	M5x0.5	6	5	27.5	50

# Connecting cables NEBU-M5

Technical data

Dimensions Download CAD data → [www.festo.com](http://www.festo.com)



Type	D1 ∅	D2	D3 ∅	D4	D5 ∅	L1 [m]	L2	L3
NEBU-M5G4-K-1-Q3-M8G3	2.9	M5x0.5	6	M8x1	9.6	1	27.5	43
NEBU-M5G4-K-1-Q3-M12G4	3.4	M5x0.5	6	M12x1	15	1	27.5	49

Electrical connection		Number of wires	Cable length [m]	Part No.	Type
Left-hand end	Right-hand end				
Cable property: Standard					
Socket M5x0.5, straight, 4-pin	Open end, 3-wire	3	5	539508	NEBU-M5G4-K-5-Q3-LE3
	Plug M8x1, straight, 3-pin	3	1	539510	NEBU-M5G4-K-1-Q3-M8G3
	Plug M12x1, straight, 4-pin	4	1	539512	NEBU-M5G4-K-1-Q3-M12G4



# Connecting cables NEBU-LE

Type codes

NEBU - LE 5 - K - 1 - - M12 G 5

**Function**

NEBU	Connecting cable
------	------------------

**Connection technology, left-hand end**

LE	Open end
----	----------

**Number of pins/wires (left-hand end)**

3	3-pin
4	4-pin
5	5-pin

**Cable property**

P	Basic
K	Standard
E	Suitable for use with energy chains
R	Suitable for robots

**Cable length**

0.1 ... 30	0.1 ... 30 m
------------	--------------

**Cable designation**

	With inscription label holder (standard)
N	Without inscription label holder

**Connection technology, right-hand end**

M8	Plug with connecting thread
M12	Plug with connecting thread, A-coded

**Plug design**

G	Straight
W	Angled

**Number of pins/wires (right-hand end)**

3	3-pin
4	4-pin
5	5-pin

Additional variants can be ordered using the modular system → 20

- Number of pins/wires (left-hand end)
- Cable property
- Cable designation
- Connection technology, right-hand end
- Plug design
- Number of pins/wires (right-hand end)

# Connecting cables NEBU-M8

Type codes

NEBU - M8 G 3 - K - 2.5 - M8 G 3

### Function

NEBU	Connecting cable
------	------------------

### Connection technology, left-hand end

M8	Socket with connecting thread
----	-------------------------------

### Socket design

G	Straight
W	Angled

### Number of pins/wires (left-hand end)

3	3-pin
4	4-pin

### Display

	Without LED (standard)
P	LED, PNP
N	LED, NPN
L	LED, DC

### Cable property

P	Basic
K	Standard
E	Suitable for use with energy chains
R	Suitable for robots

### Cable length

0.1 ... 30	0.1 ... 30 m
------------	--------------

### Cable designation

	With inscription label holder (standard)
N	Without inscription label holder

### Connection technology, right-hand end

LE	Open end
M8	Plug with connecting thread
M12	Plug with connecting thread, A-coded

### Plug design

	Open end
G	Straight
W	Angled

### Number of pins/wires (right-hand end)

2	2-pin
3	3-pin
4	4-pin

Additional variants can be ordered using the modular system → 21

- Display
- Cable property
- Number of pins/wires (right-hand end)

# Connecting cables NEBU-M12

Type codes

NEBU - M12 G 5 - K - 5 - - LE - 4

**Function**

NEBU	Connecting cable
------	------------------

**Connection technology, left-hand end**

M12	Socket with connecting thread, A-coded
-----	--

**Socket design**

G	Straight
W	Angled

**Number of pins/wires (left-hand end)**

5	5-pin
---	-------

**Display**

	Without LED (standard)
P	LED, PNP
N	LED, NPN
P2	2x LED, PNP

**Cable property**

P	Basic
K	Standard
E	Suitable for use with energy chains
R	Suitable for robots

**Cable length**

0.1 ... 30	0.1 ... 30 m
------------	--------------

**Cable designation**

	With inscription label holder (standard)
N	Without inscription label holder

**Connection technology, right-hand end**

LE	Open end
M8	Plug with connecting thread
M12	Plug with connecting thread, A-coded

**Plug design**

	Open end
G	Straight
W	Angled

**Number of pins/wires (right-hand end)**

3	3-pin
4	4-pin
5	5-pin

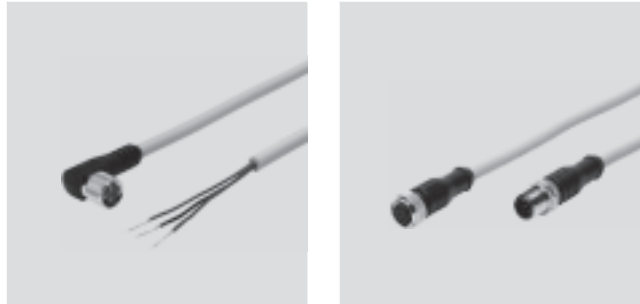
Additional variants can be ordered using the modular system → 22

- Display
- Cable property

# Connecting cables NEBU-LE/M8/M12

Technical data

Connecting cable  
NEBU-M8/M12  
2, 3, 4 and 5-pin



General technical data		NEBU-LE
Type		NEBU-LE
Conforms to		EN 61076-2-101
		EN 61076-2-104
		EN 61984
Note on materials		Free of copper and PTFE
		RoHS-compliant
Cable property	NEBU-...-E	Cable free of halogen and resistant to oil
	NEBU-...-R	Cable free of halogen and resistant to oil

General technical data		NEBU-M8			
Cable composition		2x0.25 mm <sup>2</sup>	3x0.25 mm <sup>2</sup>	4x0.25 mm <sup>2</sup>	
Display		L	-	P, N	-
Conforms to		EN 61076-2-104			
		EN 61984			
CE mark (see declaration of conformity)		-	To EU Low Voltage Directive	-	-
Note on materials		Free of copper and PTFE			
		RoHS-compliant			
Cable property	NEBU-...-E	Cable free of halogen and resistant to oil			
	NEBU-...-R	Cable free of halogen and resistant to oil			

General technical data		NEBU-M12			
Cable composition		3x0.25 mm <sup>2</sup>	4x0.25 mm <sup>2</sup>	5x0.25 mm <sup>2</sup>	
Display		-	P, N	-	P2
Conforms to		EN 61076-2-101			
		EN 61984			
CE mark (see declaration of conformity)		To EU Low Voltage Directive	-	To EU Low Voltage Directive	-
Note on materials		Free of copper and PTFE			
		RoHS-compliant			
Cable property	NEBU-...-E	Cable free of halogen and resistant to oil			
	NEBU-...-R	Cable free of halogen and resistant to oil			

Electronic components		NEBU-M8			
Cable composition		2x0.25 mm <sup>2</sup>	3x0.25 mm <sup>2</sup>	4x0.25 mm <sup>2</sup>	
Display		L	-	P, N	-
Operating voltage range <sup>1)</sup>	[V AC]	-	0 ... 60	-	0 ... 30
Operating voltage range <sup>1)</sup>	[V DC]	21.6 ... 30	0 ... 60	10 ... 30	0 ... 30

# Connecting cables NEBU-LE/M8/M12

Technical data

Type	NEBU-M12					
Cable composition	3x0.25 mm <sup>2</sup>		4x0.25 mm <sup>2</sup>		5x0.25 mm <sup>2</sup>	
Display	–	P, N	–	P2	–	
Operating voltage range <sup>1)</sup> [V AC]	0 ... 250	–	0 ... 250	–	0 ... 60	
Operating voltage range <sup>1)</sup> [V DC]	0 ... 250	10 ... 30	0 ... 250	10 ... 30	0 ... 60	

1) When different connection technologies are combined the lower value applies.

Electromechanical components									
Type	NEBU-LE		NEBU-M8			NEBU-M12			
Electrical connection	Open end		Socket M8x1			Socket M12x1			
Connection technology, left-hand end									
Electrical connection <sup>1)</sup>	–		Straight			Straight			
	–		Angled			Angled			
	3-wire		3-pin			–			
	4-wire		4-pin			–			
5-wire		–			5-pin				
Plug coding	–		–			A			
Connection technology, right-hand end									
Electrical connection <sup>1)</sup>	Plug M8x1	Plug M12x1	Open end	Plug M8x1	Plug M12x1	Open end	Plug M8x1	Plug M12x1	
	Straight		–	Straight		–	Straight		
	Angled		–	Angled		–	Angled		
	–	–	2-wire	–	–	–	–	–	
	3-pin	3-pin	3-wire	3-pin	3-pin	3-wire	3-pin	3-pin	
	4-pin	4-pin	4-wire	4-pin	4-pin	4-wire	4-pin	4-pin	
–	5-pin	–	–	–	5-wire	–	5-pin		
Acceptable current load at 40 °C <sup>2)</sup> [A]	–		3 <sup>3)</sup>			4 <sup>4)</sup>			

1) Depending on the combination of connection technology.

2) When different connection technologies are combined the lower value applies.

3) Also applies to display L.

4) Also applies to display P2.

Type	NEBU-...-P	NEBU-...-K	NEBU-...-E	NEBU-...-R
Cable property	Basic	Standard	Suitable for use with energy chains	Suitable for robot applications
Cable test conditions	Resistance to bending: to Festo standard			
	–	Energy chain: 5 million cycles, bending radius 75 mm	Energy chain: 5 million cycles, bending radius 28 mm	Energy chain: 5 million cycles, bending radius 28 mm
	–	–	–	Torsional strength: ±270°, test length 0.1 m
Test conditions on request				
Cable length [m]	0.1 ... 30			
Cable sheath colour	Grey			
Cable composition	M8x1	2x0.25 mm <sup>2</sup>		
		3x0.25 mm <sup>2</sup>		
		4x0.25 mm <sup>2</sup>		
	M12x1	3x0.25 mm <sup>2</sup>		
		4x0.25 mm <sup>2</sup>		
5x0.25 mm <sup>2</sup>				
Cable type <sup>5)</sup>	LiYY	LiFY11Y	Li12Y11Y	Li12Y11Y
Information on cable sheath materials	PVC-P	TPE-U(PU)	TPE-U(PU)	TPE-U(PU)
Information on insulating sheath materials <sup>5)</sup>	PVC-P	PVC-P	TPE-E	TPE-E
Information on pin contact materials	Gold-plated brass			
Cable diameter <sup>5)</sup> [mm]	4.5			
Conductor nominal cross section [mm <sup>2</sup> ]	0.25			

5) The following applies to display L:

Cable type: LiFY11Y for connection technology at right-hand end LE and LiF9Y11Y for connection technology at right-hand end plug M8 or M12, information on materials: insulating sheath PP, cable diameter: 3.4 mm.

# Connecting cables NEBU-LE/M8/M12

Technical data

Mechanical components	
Housing colour	Black
Information on housing materials	TPE-U(PU)
Information on union nut materials	Nickel-plated brass

Display/operation				
Type	NEBU-...P	NEBU-...N	NEBU-...L	NEBU-...P2
Display	LED, PNP	LED, NPN	LED, DC	2x LED, PNP
Ready status display	Green LED	Green LED	–	Green LED
Switching status display	Yellow LED	Yellow LED	Yellow LED	Yellow LED
	–	–	–	Blue LED

Immissions/emissions				
Type	NEBU-... P	NEBU-... K	NEBU-... E	NEBU-... R
Cable property	Basic	Standard	Suitable for use with energy chains	Suitable for robots
Ambient temperature [°C]	–25 ... +70	–25 ... +70	–25 ... +80	–25 ... +80
Ambient temperature with flexible cable installation [°C]	–5 ... +80	–5 ... +70	–5 ... +80	–5 ... +80
Protection class	IP65, IP68			

Type	NEBU-M8				
Cable composition	2x0.25 mm <sup>2</sup>	3x0.25 mm <sup>2</sup>		4x0.25 mm <sup>2</sup>	
Display	L	–	P, N	–	P, N
Surge capacity <sup>1)</sup> [kV]	0.8	1.5	0.8	0.8	0.8
Degree of contamination	3				

1) When different connection technologies are combined the lower value applies.

Type	NEBU-M12				
Cable composition	3x0.25 mm <sup>2</sup>	4x0.25 mm <sup>2</sup>		5x0.25 mm <sup>2</sup>	
Display	–	P, N	–	P2	–
Surge capacity <sup>1)</sup> [kV]	2.5 <sup>2)</sup>	0.8	2.5	0.8	1.5
Degree of contamination	3				

1) When different connection technologies are combined the lower value applies.

2) 0.8 kV applies for alternative number of wires = 3.

# Connecting cables NEBU-LE/M8/M12

Technical data

Pin allocation to EN 60947-5-2					
Socket M8x1					
3-pin	Pin	Wire colour	4-pin	Pin	Wire colour
	1	Brown		1	Brown
	3	Blue		2	White
	4	Black		3	Blue
				4	Black

Plug M8x1					
3-pin	Pin	Wire colour	4-pin	Pin	Wire colour
	1	Brown		1	Brown
	3	Blue		2	White
	4	Black		3	Blue
				4	Black

Socket M12x1								
3-pin	Pin	Wire colour	4-pin	Pin	Wire colour	5-pin	Pin	Wire colour
	1	Brown		1	Brown		1	Brown
	3	Blue		2	White		2	White
	4	Black		3	Blue		3	Blue
				4	Black		4	Black
							5	Grey

Plug M12x1								
3-pin	Pin	Wire colour	4-pin	Pin	Wire colour	5-pin	Pin	Wire colour
	1	Brown		1	Brown		1	Brown
	3	Blue		2	White		2	White
	4	Black		3	Blue		3	Blue
				4	Black		4	Black
							5	Grey

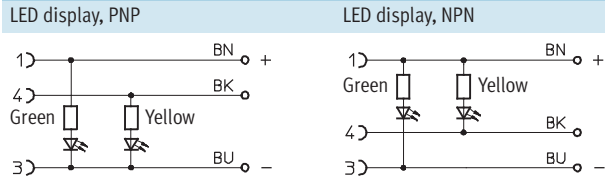
Pin allocation – Display L								
Socket M8x1			Plug M8x1				Plug M12x1	
4-pin	Pin	Wire colour	3-pin	Pin	4-pin	Pin	2-pin	Pin
	3	Black		3		3		3
	4	Black		4		4		4

Pin allocation – NEBU-M12 suitable for use with energy chains					
NEBU-M12G5-E-2.5-W2-M8G4-V1			NEBU-M12G5-E-2.5-W3-M8G4-V2		
Socket M12x1, 5-pin	Pin → pin	Plug M8x1, 4-pin	Socket M12x1, 5-pin	Pin → pin	Plug M8x1, 4-pin
	1 → 1			1 → 1	
	3 → 2			3 → 3	
				4 → 4	

# Connecting cables NEBU-LE/M8/M12

Technical data

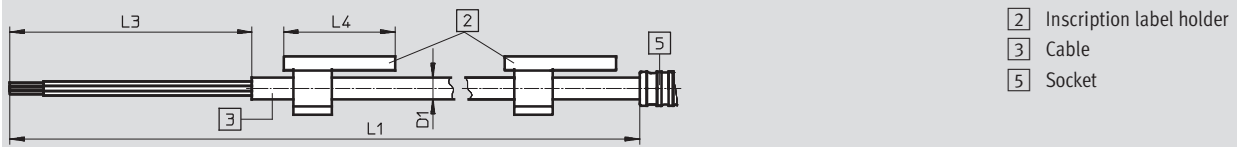
## Circuit diagram



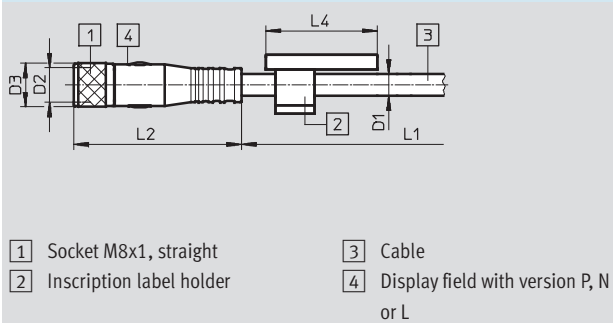
## Dimensions – Connection technology at left-hand end

Download CAD data → [www.festo.com](http://www.festo.com)

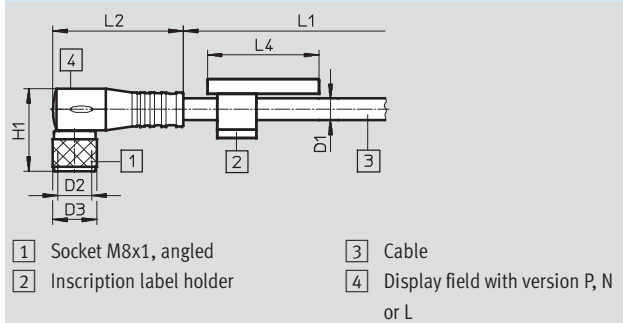
Open end



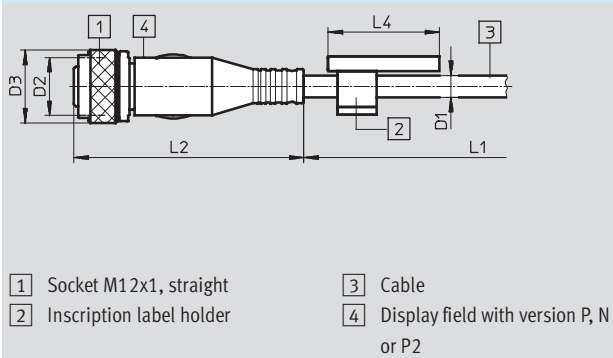
### Socket M8x1, straight



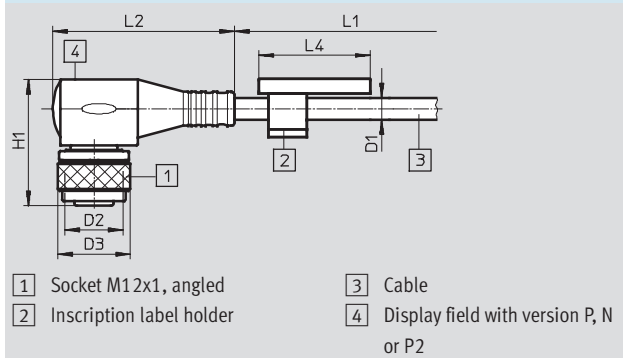
### Socket M8x1, angled



### Socket M12x1, straight



### Socket M12x1, angled



Type	Connection technology, left-hand end	D1 ∅	D2	D3 ∅	L1 [m]	L2	L3	L4	H1
NEBU-LE	Open end	4.5	–	–	0.1 ... 30	–	50	23	–
NEBU-M8G	Socket M8x1, straight	4.5	M8x1	9	0.1 ... 30	34.6	–	23	–
NEBU-M8W	Socket M8x1, angled					26.9			17
NEBU-M12G	Socket M12x1, straight	4.5	M12x1	15	0.1 ... 30	47.5	–	23	–
NEBU-M12W	Socket M12x1, angled					37.5			26
<b>With display</b>									
NEBU-M8GP/-...N/-...L	Socket M8x1, straight	3.4	M8x1	9	0.1 ... 30	34.6	–	23	–
NEBU-M8WP/-...N/-...L	Socket M8x1, angled					26.9			17
NEBU-M12GP/-...N/-...P2	Socket M12x1, straight	4.5	M12x1	15	0.1 ... 30	47.5	–	23	–
NEBU-M12WP/-...N/-...P2	Socket M12x1, angled					37.5			26



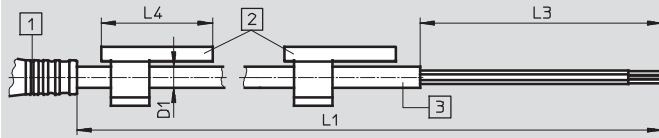
# Connecting cables NEBU-LE/M8/M12

Technical data

## Dimensions – Connection technology at right-hand end

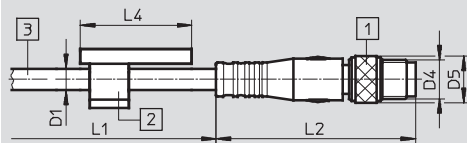
Download CAD data → [www.festo.com](http://www.festo.com)

Open end



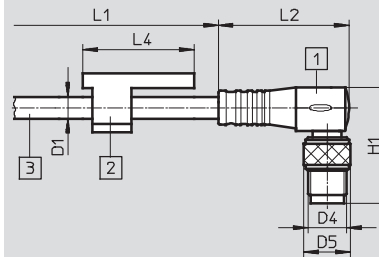
- 1 Socket
- 2 Inscription label holder
- 3 Cable

### Plug M8x1, straight



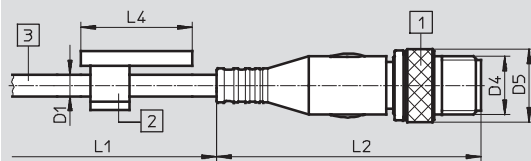
- 1 Plug M8x1, straight
- 2 Inscription label holder
- 3 Cable

### Plug M8x1, angled



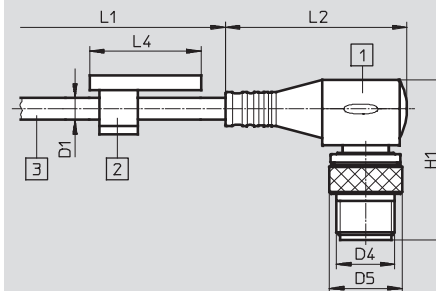
- 1 Plug M8x1, angled
- 2 Inscription label holder
- 3 Cable

### Plug M12x1, straight



- 1 Plug M12x1, straight
- 2 Inscription label holder
- 3 Cable

### Plug M12x1, angled



- 1 Plug M12x1, angled
- 2 Inscription label holder
- 3 Cable

Type	Connection technology, right-hand end	D1 ∅	D4	D5 ∅	L1 [m]	L2	L3	L4	H1
NEBU-M...-LE	Open end	4.5	-	-	0.1 ... 30	-	50	23	-
NEBU-M...-M8G	Plug M8x1, straight	4.5	M8x1	9.6	0.1 ... 30	41.1	-	23	-
NEBU-M...-M8W	Plug M8x1, angled					26.9			24
NEBU-M...-M12G	Plug M12x1, straight					54.5			-
NEBU-M...-M12W	Plug M12x1, angled	4.5	M12x1	15	0.1 ... 30	37.5	-	23	33.2

# Connecting cables NEBU-LE/M8/M12

Technical data

Ordering data							
Electrical connection				Cable length	Part No.	Type	
Left-hand end		Right-hand end		[m]			
Cable property: Standard							
5-wire	Open end	5-pin	Plug M12x1, straight	1	569840	NEBU-LE5-K-1-M12G5	
3-pin	Socket M8x1, straight	3-wire	Cable, open end	2.5	541333	NEBU-M8G3-K-2.5-LE3	
				5	541334	NEBU-M8G3-K-5-LE3	
				10	541332	NEBU-M8G3-K-10-LE3	
		3-pin	Plug M8x1, straight	0.5	541346	NEBU-M8G3-K-0.5-M8G3	
				1	541347	NEBU-M8G3-K-1-M8G3	
				2.5	541348	NEBU-M8G3-K-2.5-M8G3	
	4-pin	Plug M8x1, straight	Cable, open end	5	541349	NEBU-M8G3-K-5-M8G3	
				10	569844	NEBU-M8G3-K-10-M8G3	
				2.5	554037	NEBU-M8G3-K-2.5-M8G4	
	Socket M8x1, angled	3-wire	Cable, open end	2.5	541338	NEBU-M8W3-K-2.5-LE3	
				5	541341	NEBU-M8W3-K-5-LE3	
				10	541335	NEBU-M8W3-K-10-LE3	
4-wire		Cable, open end	2.5	541342	NEBU-M8G4-K-2.5-LE4		
			5	541343	NEBU-M8G4-K-5-LE4		
			2.5	554035	NEBU-M8G4-K-2.5-M8G4		
Socket M8x1, angled	4-wire	Cable, open end	2.5	541344	NEBU-M8W4-K-2.5-LE4		
			5	541345	NEBU-M8W4-K-5-LE4		
			2.5	541363	NEBU-M12G5-K-2.5-LE3		
5-pin	Socket M12x1, straight	3-wire	Cable, open end	5	541364	NEBU-M12G5-K-5-LE3	
				2.5	550326	NEBU-M12G5-K-2.5-LE4	
				5	541328	NEBU-M12G5-K-5-LE4	
		4-wire	Cable, open end	2.5	541330	NEBU-M12G5-K-2.5-LE5	
				5	541331	NEBU-M12G5-K-5-LE5	
				10	554038	NEBU-M12G5-K-10-LE5	
		4-pin	Plug M8x1, straight	Cable, open end	2.5	554036	NEBU-M12G5-K-2.5-M8G4
					2.5	541367	NEBU-M12W5-K-2.5-LE3
					5	541370	NEBU-M12W5-K-5-LE3
	Socket M12x1, angled	4-wire	Cable, open end	2.5	550325	NEBU-M12W5-K-2.5-LE4	
				5	541329	NEBU-M12W5-K-5-LE4	
				10	569841	NEBU-M12W5-K-10-LE4	
		5-wire	Cable, open end	2.5	567843	NEBU-M12W5-K-2.5-LE5	
				5	567844	NEBU-M12W5-K-5-LE5	
				5	569843	NEBU-M8G3-E-5-LE3	
	3-pin	Socket M8x1, straight	3-wire	Cable, open end	10	569842	NEBU-M8G3-E-10-LE3
					2.5	554034	NEBU-M12G5-E-2.5-W2-M8G4-V1 <sup>1)</sup>
	5-pin	Socket M12x1, straight	4-pin	Plug M8x1, straight		554033	NEBU-M12G5-E-2.5-W3-M8G4-V2 <sup>2)</sup>
Cable property: Suitable for robots							
3-pin	Socket M8x1, straight	3-wire	Cable, open end	2.5	569845	NEBU-M8G3-R-2.5-LE3	
	5			569846	NEBU-M8G3-R-5-LE3		
	Socket M8x1, angled	3-wire	Cable, open end	2.5	569847	NEBU-M8W3-R-2.5-LE3	
4-pin	Socket M8x1, straight	4-pin	Plug M8x1, straight	2	556946	NEBU-M8G4-R-2-M8G4	

1) Pin allocation designed for connecting the pressure transmitter SDET-...-I to the signal converter SVE4-IS  
 2) Pin allocation designed for connecting the pressure transmitter SDET-...-U to the signal converter SVE4-US

# Connecting cables NEBU-LE/M8/M12

Technical data

Ordering data							
Electrical connection				Switching output	Cable length [m]	Part No.	Type
Left-hand end		Right-hand end					
With switching status display							
3-pin	Socket M8x1, angled	3-wire	Cable, open end	PNP	2.5	541337	NEBU-M8W3P-K-2.5-LE3
					5	541340	NEBU-M8W3P-K-5-LE3
				NPN	2.5	541336	NEBU-M8W3N-K-2.5-LE3
					5	541339	NEBU-M8W3N-K-5-LE3
5-pin	Socket M12x1, angled	3-wire	Cable, open end	PNP	2.5	541366	NEBU-M12W5P-K-2.5-LE3
					5	541369	NEBU-M12W5P-K-5-LE3
				NPN	2.5	541365	NEBU-M12W5N-K-2.5-LE3
					5	541368	NEBU-M12W5N-K-5-LE3

# Connecting cables NEBU-LE

Ordering data – Modular products

Ordering table		Condi- tions	Code	Enter code
<b>M</b>	Module No.	<b>539052</b>		
	Function	Connecting cable	<b>NEBU</b>	NEBU
	Connection technology, left-hand end	Open end	<b>-LE</b>	-LE
<b>M</b>	Number of pins/wires (left-hand end)	3-pin (suitable for open end, M8 plug)	<b>3</b>	
		4-pin (suitable for open end, M8 plug)	<b>4</b>	
		5-pin (suitable for 3, 4 and 5-pin M12 plug)	<b>5</b>	
<b>M</b>	Cable properties	Basic	<b>-P</b>	
		Standard	<b>-K</b>	
		Suitable for use with energy chains	<b>-E</b>	
		Suitable for robots	<b>-R</b>	
	Cable length	0.1 ... 30 m (0.1 ... 2.5 m in 0.1 m increments, 2.5 ... 30 m in 0.5 m increments)	<b>-...</b>	
<b>O</b>	Wire cross section	0.25 mm <sup>2</sup> (standard)		
	Cable colour	Grey (standard)		
	Cable designation	With inscription label holder (standard)		
		Without inscription label holder	<b>-N</b>	
<b>M</b>	Connection technology, right-hand end	Plug with connecting thread M8	<b>-M8</b>	
		Plug with connecting thread M12, A-coded	<b>-M12</b>	
<b>M</b>	Plug design	Straight	<b>G</b>	
		Angled	<b>W</b>	
<b>M</b>	Number of pins/wires (right-hand end)	3-pin (suitable for M8/M12 socket)	<b>3</b>	
		4-pin (suitable for M8/M12 socket)	<b>4</b>	
		5-pin (suitable for M12 socket)	<b>5</b>	

- 9** 3, 4, 5 With LE connection technology at the left-hand end, the number of wires (left-hand end) must be copied over.
- 10** 3, 4, 5 With LE connection technology at the left-hand end, the number of wires must be equal to the number of pins (right-hand end).

Transfer order code

# Connecting cables NEBU-M8

Ordering data – Modular products



Ordering table		Condi- tions	Code	Enter code
<b>M</b>	Module No.	539052		
	Function	Connecting cable	NEBU	NEBU
	Connection technology, left-hand end	Socket with connecting thread M8	-M8	-M8
<b>M</b>	Socket design	Straight	G	
		Angled	W	
<b>M</b>	Number of pins/wires (left-hand end)	3-pin (suitable for open end, M8 plug)	<sup>10</sup> 3	
		4-pin (suitable for open end, M8 plug)	<sup>10</sup> 4	
<b>O</b>	Display	Without LED, DC (standard)		
		LED, PNP	<sup>1</sup> P	
		LED, NPN	<sup>1</sup> N	
		LED, DC	<sup>11</sup> L	
<b>M</b>	Cable properties	Basic	-P	
		Standard	-K	
		Suitable for use with energy chains	-E	
		Suitable for robots	-R	
	Cable length	0.1 ... 30 m (0.1 ... 2.5 m in 0.1 m increments, 2.5 ... 30 m in 0.5 m increments)	-...	
<b>O</b>	Wire cross section	0.25 mm <sup>2</sup> (standard)		
	Cable colour	Grey (standard)		
	Cable designation	With inscription label holder (standard)		
		Without inscription label holder	-N	
<b>M</b>	Connection technology, right-hand end	Open end	-LE	
		Plug with connecting thread M8	-M8	
		Plug with connecting thread M12, A-coded	-M12	
<b>O</b>	Plug design	Straight	<sup>2</sup> G	
		Angled	<sup>2</sup> W	
<b>M</b>	Number of pins/wires (right-hand end)	2-pin	<sup>13</sup> 2	
		3-pin (suitable for M8/M12 socket)	<sup>10</sup> 3	
		4-pin (suitable for M8/M12 socket)	<sup>10</sup> 4	

- <sup>1</sup> **P, N** Can only be combined with socket design W and number of pins/wires (left-hand end) 3.
- <sup>2</sup> **G, W** Must be selected with M8, M12 connection technology at right-hand end. Cannot be combined with LE connection technology at right-hand end.
- <sup>10</sup> **3, 4** With open end LE at right-hand end, the number of wires must be less than or equal to the number of pins on the opposite side.

- <sup>11</sup> **L** Can only be combined with number of pins/wires (left-hand end) 4. Can only be combined with M8 connection technology at right-hand end with number of pins/wires (right-hand end) 3, 4 or with LE, M12 connection technology at right-hand end with number of pins/wires (right-hand end) 2 (always a 2-wire cable). Can only be combined with cable property K.
- <sup>13</sup> **2** Can only be combined with LE connection technology at right-hand end. Cannot be combined with cable property P, E, R.

## Transfer order code

539052 NEBU - M8 [ ] [ ] [ ] - [ ] - [ ] - [ ] - [ ] [ ] [ ]

# Connecting cables NEBU-M12

Ordering data – Modular products



Ordering table		Condi- tions	Code	Enter code
<b>M</b>	Module No.	539052		
	Function	Connecting cable	NEBU	NEBU
	Connection technology, left-hand end	Socket with connecting thread M12, A-coded	-M12	-M12
<b>M</b>	Socket design	Straight	G	
		Angled	W	
<b>M</b>	Number of pins/wires (left-hand end)	5-pin (suitable for 3, 4 and 5-pin M12 plug)	5	5
<b>O</b>	Display	Without LED, DC (standard)		
		LED, PNP	1 P	
		LED, NPN	1 N	
		2x LED, PNP	12 P2	
<b>M</b>	Cable property	Basic	-P	
		Standard	-K	
		Suitable for use with energy chains	-E	
		Suitable for robots	-R	
	Cable length	0.1 ... 30 m (0.1 ... 2.5 m in 0.1 m increments, 2.5 ... 30 m in 0.5 m increments)	-...	
<b>O</b>	Wire cross section	0.25 mm <sup>2</sup> (standard)		
	Cable colour	Grey (standard)		
	Cable designation	With inscription label holder (standard)		
		Without inscription label holder	-N	
<b>M</b>	Connection technology, right-hand end	Open end	-LE	
		Plug with connecting thread M8	-M8	
		Plug with connecting thread M12, A-coded	-M12	
<b>O</b>	Plug design	Straight	2 G	
		Angled	2 W	
<b>M</b>	Number of pins/wires (right-hand end)	3-pin (suitable for M8/M12 socket)	10 3	
		4-pin (suitable for M8/M12 socket)	10 4	
		5-pin (suitable for M12 socket)	10 5	

1 **P, N** Can only be combined with socket design W and number of pins/wires (left-hand end) 5 and number of pins/wires (right-hand end) 3.

2 **G, W** Must be selected with M8, M12 connection technology at right-hand end. Cannot be combined with LE connection technology at right-hand end.

10 **3, 4, 5** With open end LE at right-hand end, the number of wires must be less than or equal to the number of pins on the opposite side.

12 **P2** Can only be combined with socket design W. Can only be combined with number of pins/wires (right-hand end) 4.

## Transfer order code

539052 NEBU - M12 [ ] 5 [ ] - [ ] - [ ] - [ ] - [ ] [ ] [ ]

# Connecting cables NEBU-M12...8

Technical data

FESTO

Connecting cable  
NEBU-M12  
8-pin



Electronic components		
Operating voltage range	[V AC]	0 ... 30
Operating voltage range	[V DC]	0 ... 36

Electromechanical components		
Connection technology, left-hand end		
Electrical connection	Angled socket	
	M12x1	
	8-pin	
Plug coding	A	
Connection technology, right-hand end		
Electrical connection	Open end	
	8-wire	
Cable length	[m]	2
		5
		10
Cable sheath colour	Grey	
Cable composition	8x0.25 mm <sup>2</sup>	
	Screened	
Wire ends	Tin-plated	
Information on cable sheath materials	PUR	
Min. cable bending radius	[mm]	66
Acceptable current load	[A]	1.5

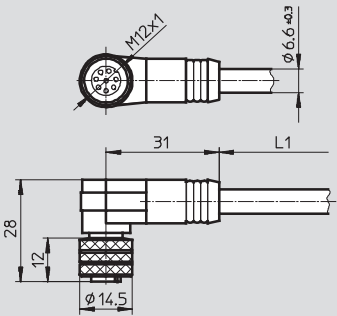
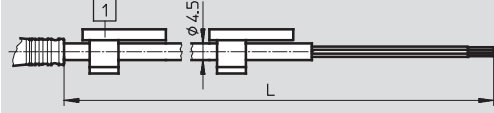
Immissions/emissions		
Ambient temperature	[°C]	-25 ... +90
Protection class	IP67	

Pin allocation		
Socket M12x1		
8-pin	Pin	Wire colour
	1	White
	2	Brown
	3	Green
	4	Yellow
	5	Grey
	6	Pink
	7	Blue
	8	Red

# Connecting cables NEBU-M12...8

Technical data

Download CAD data → [www.festo.com](http://www.festo.com)

<p><b>Dimensions</b></p> <p>Electrical connection, left-hand end Socket M12x1, angled</p> 	<p>Electrical connection, right-hand end Open end</p>  <p>1 Inscription label holder L Cable length</p>
---	---

Ordering data				Cable length L	Part No.	Type
Electrical connection		Right-hand end				
Left-hand end		Right-hand end		[m]		
Cable property: Standard						
8-pin	Socket M12x1, angled	8-wire	Cable, open end	2	542256	NEBU-M12W8-2-N-LE8
				5	542257	NEBU-M12W8-5-N-LE8
				10	570007	NEBU-M12W8-10-N-LE8



# Connecting cables SIM

Type codes

SIM – M8 – – 4 WD – 2,5 – – – PU –

**Type**

SIM	Plug socket with cable for sensors
-----	------------------------------------

**Electrical connection**

M8	Union nut M8x1
M12	Union nut M12x1
K	Clip-on plug

**Welding field immunity**

	Basic type, no welding field immunity
RS	Welding field immune

**Number of wires**

	3-wire
3	3-wire
4	4-wire
5	5-wire
8	8-wire

**Connection direction**

GD	In-line
WD	Lateral

**Cable length**

2	2 m
2,5	2.5 m
3	3 m
5	5 m
10	10 m

**Switching output**

	PNP or NPN
PS	PNP
NS	NPN

**Display**

L	LED
---	-----

**Cable sheath material**

PU	Polyurethane
	Polyvinyl chloride

**Ease of cleaning**

	Basic version
CDN	Clean Design, suitable for the food industry

# Connecting cables SIM-M8/M12

Technical data

Connecting cable  
SIM-M8/M12,  
3, 4 and 5-pin



General technical data		
Type	SIM-M8	SIM-M12
Conforms to	EN 61076-2-104 EN 61984	EN 61076-2-101
Note on materials	Free of copper and PTFE RoHS-compliant	

Electronic components						
Type	SIM-M8		SIM-M12			SIM-...-...L
Electrical connection	3-pin	4-pin	3-pin	4-pin	5-pin	3-pin
Operating voltage range [V AC]	0 ... 60	0 ... 30	0 ... 250	0 ... 250	0 ... 60	-
Operating voltage range [V DC]	0 ... 60	0 ... 30	0 ... 250	0 ... 250	0 ... 60	10 ... 30

Electromechanical components							
Type	SIM-M8		SIM-M12			SIM-M8-...-...L	SIM-M12-...-...L
Electrical connection	3-pin	4-pin	3-pin	4-pin	5-pin	3-pin	
Connection technology, left-hand end							
Electrical connection	Straight socket		Straight socket			-	
	Angled socket		Angled socket			-	
	M8x1		M12x1			M8x1	M12x1
Electrical connection	3-pin	4-pin	3-pin	4-pin	5-pin	3-pin	
Plug coding	A		A			A	
Connection technology, right-hand end							
Electrical connection	Open end		Open end			Open end	
	3-wire	4-wire	3-wire	4-wire	5-wire	3-wire	
Cable property	Standard						
Cable test conditions	Energy chain: 5 million cycles, bending radius 75 mm						
	Resistance to bending: to Festo standard						
	Test conditions on request						
Cable length [m]	2.5	2.5	2.5	-	2.5	2.5	
	5	5	5	5	5	5	
	10	-	-	-	-	-	
Cable sheath colour	Grey					Grey	
Cable composition	3x0.25 mm <sup>2</sup>	4x0.25 mm <sup>2</sup>	3x0.25 mm <sup>2</sup>	4x0.25 mm <sup>2</sup>	5x0.25 mm <sup>2</sup>	3x0.25 mm <sup>2</sup>	
Information on cable sheath materials	TPE-U(PU)		TPE-U(PU)			TPE-U(PU)	
Information on insulating sheath materials	PVC		PVC			PVC	
Cable diameter [mm]	4.5		4.5			4.5	
Conductor nominal cross section [mm <sup>2</sup> ]	0.25		0.25			0.25	
Acceptable current load at 40 °C [A]	3		4			3	4

Mechanical components	
Housing colour	Black
Information on housing materials	TPE-U(PU)
Information on union nut materials	Nickel-plated brass

# Connecting cables SIM-M8/M12

Technical data

Display/operation	
Type	SIM-...-...L
Ready status display	Green LED
Switching status display	Yellow LED

Immissions/emissions						
Type	SIM-M8		SIM-M12			SIM-...-...L
Electrical connection	3-pin	4-pin	3-pin	4-pin	5-pin	3-pin
Ambient temperature [°C]	-25 ... +70		-25 ... +70			-25 ... +70
Ambient temperature with flexible cable installation [°C]	-5 ... +70		-5 ... +70			-5 ... +70
Protection class	IP65, IP68		IP65, IP68			IP65, IP68
Surge capacity [kV]	1.5	0.8	2.5	2.5	1.5	0.8
Degree of contamination	3		3			3

Pin allocation to EN 60947-5-2						
M8x1						
Socket, 3-pin	Pin	Wire colour	Socket, 4-pin	Pin	Wire colour	
	1	Brown		1	Brown	
	3	Blue		2	White	
	4	Black		3	Blue	
				4	Black	

M12x1									
Socket, 3-pin	Pin	Wire colour	Socket, 4-pin	Pin	Wire colour	Socket, 5-pin	Pin	Wire colour	
	1	Brown		1	Brown		1	Brown	
	3	Blue		2	White		2	White	
	4	Black		3	Blue		3	Blue	
				4	Black		4	Black	
							5	Grey	

**Dimensions**

SIM-M8-...GD-...-PU

1 Straight socket, M8x1      2 PUR cable

Download CAD data → [www.festo.com](http://www.festo.com)

SIM-M8-...WD-...-PU

1 Angled socket, M8x1      2 PUR cable

	D1	D2	D3	H1	L1	L2	L3
	∅	∅					
	±0.1	±0.1		+0.3/-0.4	+3%	±2	+0.4/-0.5
SIM-M8-...GD-2,5-PU	4.5	9	M8x1	-	2,500	50	34.4
SIM-M8-...GD-5-PU					5,000		
SIM-M8-...GD-10-PU					10,000		
SIM-M8-...WD-2,5-PU	4.5	9	M8x1	16.8	2,500	50	26.8
SIM-M8-...WD-5-PU					5,000		
SIM-M8-...WD-10-PU					10,000		

# Connecting cables SIM-M8/M12

Technical data

**Dimensions** Download CAD data → [www.festo.com](http://www.festo.com)

SIM-M12-...GD-...-PU

1 Straight socket, M12x1      2 PUR cable

SIM-M12-...WD-...-PU

1 Angled socket, M12x1      2 PUR cable

	D1 ∅ ±0.1	D2 ∅	D3	H1	L1 +3%	L2 ±2	L3
SIM-M12-...GD-2,5-PU	4.5	15	M12x1	-	2,500	50	48.5
SIM-M12-...GD-5-PU					5,000		
SIM-M12-...WD-2,5-PU	4.5	15	M12x1	26	2,500	50	37.5
SIM-M12-...WD-5-PU					5,000		

**Dimensions** Download CAD data → [www.festo.com](http://www.festo.com)

SIM-M8-...WD-...-...L-PU

1 Angled socket, M8x1      3 Switching status display, yellow LED  
2 PUR cable      4 Operating status display, green LED

SIM-M12-...WD-...-...L-PU

1 Angled socket, M12x1      3 Switching status display, yellow LED  
2 PUR cable      4 Operating status display, green LED

	D1 ∅ ±0.1	D2 ∅ ±0.2	D3	H1 +0.3/-0.4	L1 +3%	L2 ±2	L3
SIM-M8-...WD-2,5-...L-PU	4.5	9	M8x1	16.8	2,500	50	26.8
SIM-M8-...WD-5-...L-PU					5,000		
SIM-M12-...WD-2,5-...L-PU	4.5	15	M12x1	26	2,500	50	37.5
SIM-M12-...WD-5-...L-PU					5,000		

# Connecting cables SIM-M8/M12

Technical data

Ordering data					
Electrical connection		Number of wires	Cable length [m]	Part No.	Type
Left-hand end	Right-hand end				
Cable property: Standard					
Socket M8x1, straight	Open end	3	2.5	159420	SIM-M8-3GD-2,5-PU
			5	159421	SIM-M8-3GD-5-PU
			10	192964	SIM-M8-3GD-10-PU
		4	2.5	158960	SIM-M8-4GD-2,5-PU
			5	158961	SIM-M8-4GD-5-PU
Socket M8x1, angled	Open end	3	2.5	159422	SIM-M8-3WD-2,5-PU
			5	159423	SIM-M8-3WD-5-PU
			10	192965	SIM-M8-3WD-10-PU
		4	2.5	158962	SIM-M8-4WD-2,5-PU
			5	158963	SIM-M8-4WD-5-PU
Socket M12x1, straight	Open end	3	2.5	159428	SIM-M12-3GD-2,5-PU
			5	159429	SIM-M12-3GD-5-PU
		4	5	164259	SIM-M12-4GD-5-PU
		5	2.5	175715	SIM-M12-5GD-2,5-PU
			5	175716	SIM-M12-5GD-5-PU
Socket M12x1, angled	Open end	3	2.5	159430	SIM-M12-3WD-2,5-PU
			5	159431	SIM-M12-3WD-5-PU
		4	5	164258	SIM-M12-4WD-5-PU
With switching status display for sensor with switching output PNP					
Socket M8x1, angled	Open end	3	2.5	159424	SIM-M8-3WD-2,5-PSL-PU
			5	159425	SIM-M8-3WD-5-PSL-PU
Socket M12x1, angled	Open end	3	2.5	159432	SIM-M12-3WD-2,5-PSL-PU
			5	159433	SIM-M12-3WD-5-PSL-PU
With switching status display for sensor with switching output NPN					
Socket M8x1, angled	Open end	3	2.5	159426	SIM-M8-3WD-2,5-NSL-PU
			5	159427	SIM-M8-3WD-5-NSL-PU
Socket M12x1, angled	Open end	3	2.5	159434	SIM-M12-3WD-2,5-NSL-PU
			5	159435	SIM-M12-3WD-5-NSL-PU

# Connecting cables SIM-M12-8

Technical data

FESTO

Connecting cable  
SIM-M12,  
8-pin



General technical data	
Note on materials	RoHS-compliant

Electronic components		
Operating voltage range	[V AC]	0 ... 45
Operating voltage range	[V DC]	0 ... 70

Electromechanical components		
Connection technology, left-hand end		
Electrical connection	Straight socket	
	M12x1	
	8-pin	
Connection technology, right-hand end		
Electrical connection	Open end	
	8-wire	
Cable length	[m]	2
		5
		10
Cable sheath colour	Grey	
Cable composition	8x0.25 mm <sup>2</sup>	
Information on cable sheath materials	PUR	
Acceptable current load at 40 °C	[A]	1.5

Immissions/emissions		
Ambient temperature	[°C]	-25 ... +80
Protection class	IP68	

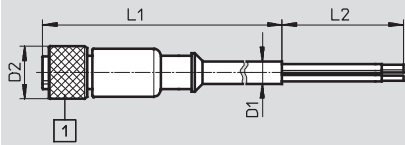
Pin allocation				
M12x1				
Socket, 8-pin	Pin	Wire colour	Pin	Wire colour
	1	White	5	Grey
	2	Brown	6	Pink
	3	Green	7	Blue
	4	Yellow	8	Red

# Connecting cables SIM-M12-8

Technical data

## Dimensions

Download CAD data → [www.festo.com](http://www.festo.com)



1 Union nut M12x1

	D1 ∅ ±0.2	D2 ∅ +0.5	L1 ±3%	L2 +20
SIM-M12-8GD-2-PU	6.2	14.6	2,000	50
SIM-M12-8GD-5-PU			5,000	
SIM-M12-8GD-10-PU			10,000	

## Ordering data

Electrical connection		Number of wires	Cable length [m]	Part No.	Type
Left-hand end	Right-hand end				
Socket M12x1, straight	Open end	8	2	525616	SIM-M12-8GD-2-PU
			5	525618	SIM-M12-8GD-5-PU
			10	570008	SIM-M12-8GD-10-PU

# Connecting cables KM12

Technical data

FESTO

Connecting cable  
KM12,  
8-pin



Electronic components		
Operating voltage range	[V AC]	0 ... 30
Operating voltage range	[V DC]	0 ... 36

Electromechanical components		
Connection technology, left-hand end		
Electrical connection		Straight plug
		M1 2x1
		8-pin
Connection technology, right-hand end		
Electrical connection		Straight socket
		M1 2x1
		8-wire
Information on pin contact materials		Nickel-plated and gold-plated bronze
Cable length	[m]	2
Cable composition		8x0.25 mm <sup>2</sup>
Information on cable sheath materials		PUR
Cable diameter	[mm]	6.2
Acceptable current load	[A]	1.5

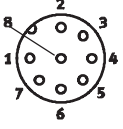
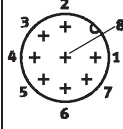
Mechanical components		
Type of mounting		Via threaded connector
		Via union nut
Mounting position		Any
Product weight	[g]	156
Information on union nut materials		Nickel-plated brass

Immissions/emissions		
Ambient temperature	[°C]	-25 ... +80
Protection class		IP68

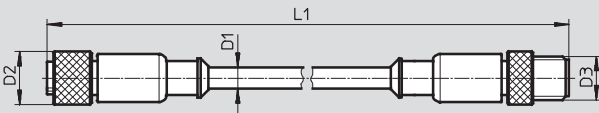


# Connecting cables KM12

Technical data

Pin allocation					
M12x1					
Socket, 8-pin	Pin	Wire colour	Plug, 8-pin	Pin	Wire colour
	1	White		1	White
	2	Brown		2	Brown
	3	Green		3	Green
	4	Yellow		4	Yellow
	5	Grey		5	Grey
	6	Pink		6	Pink
	7	Blue		7	Blue
	8	Red		8	Red
	Housing	Screened		Housing	Screened

**Dimensions** Download CAD data → [www.festo.com](http://www.festo.com)



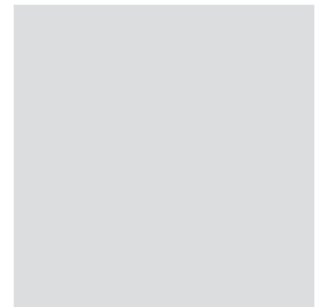
	D1 Ø ±0.2	D2 Ø	D3	L1 ±3%
KM12-8GD8GS-2-PU	6.2	14.6	M12x1	2,000

Ordering data					
Electrical connection		Number of wires	Cable length [m]	Part No.	Type
Left-hand end	Right-hand end				
Straight socket, M12x1	Straight plug, M12x1	8	2	525617	KM12-8GD8GS-2-PU

# Connecting cables SIM, welding field immune

Technical data

Connecting cable SIM-M12-RS,  
3-pin, welding field immune



Electronic components		
Operating voltage range	[V AC]	0 ... 45
Operating voltage range	[V DC]	0 ... 70

Electromechanical components		
Type	SIM-...-...-3GD	SIM-...-...-3WD
Connection technology, left-hand end		
Electrical connection	Straight socket	Angled socket
	M12x1	
	3-pin	
Connection technology, right-hand end		
Electrical connection	Open end	
	3-wire	
Cable property	Standard	
Cable test conditions	Energy chain: 5 million cycles, bending radius 75 mm	
	Resistance to bending: to Festo standard	
	Test conditions on request	
Cable length	[m]	3
Cable sheath colour	Orange	
Cable composition	3x0.5 mm <sup>2</sup>	
Information on cable sheath materials	PVC, radiation crosslinking	
Acceptable current load	[A]	4

Mechanical components	
Information on housing materials	TPE-U(PU)
Information on union nut materials	Nickel-plated brass

Immissions/emissions		
Ambient temperature	[°C]	-25 ... +80
Ambient temperature with flexible cable installation	[°C]	0 ... +80
Protection class		IP65, IP67

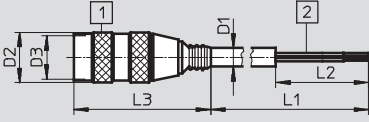
Pin allocation to EN 60947-5-2		
M12x1		
Socket, 3-pin	Pin	Wire colour
	1	Brown
	3	Blue
	4	Black

# Connecting cables SIM, welding field immune

Technical data

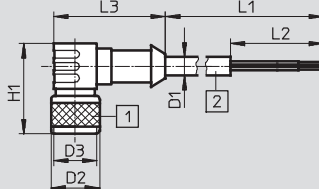
**Dimensions** Download CAD data → [www.festo.com](http://www.festo.com)

SIM-...-...-3GD



1 Union nut                      2 PVC cable

SIM-...-...-3WD



1 Union nut                      2 PVC cable

	D1 ∅ ±0.3	D2 ∅	D3	H1 ±0.5	L1 ±3%	L2 ±8	L3 ±0.5
SIM-M12-RS-3GD-3	5.2	15 ±0.2	M12x1	-	3,000	50	38
SIM-M12-RS-3WD-3	5.2	13.5 ±0.3	M12x1	25	3,000	50	31

Electrical connection		Number of wires	Cable length [m]	Part No.	Type
Left-hand end	Right-hand end				
<b>Welding field immune</b>					
Straight socket, M12x1	Open end	3	3	30450	SIM-M12-RS-3GD-3
Angled socket, M12x1	Open end	3	3	30451	SIM-M12-RS-3WD-3

# Connecting cables SIM, clip-on

Technical data

Connecting cable  
**SIM-K,**  
**3 and 4-pin, clip-on**



General technical data	
Conforms to	EN 61076-2-104 EN 61984
Note on materials	Free of copper and PTFE RoHS-compliant

Electronic components		
Electrical connection	3-pin	4-pin
Operating voltage range [V AC]	0 ... 60	0 ... 30
Operating voltage range [V DC]	0 ... 60	0 ... 30

Electromechanical components		
Electrical connection	3-pin	4-pin
Connection technology, left-hand end		
Electrical connection	Straight socket	
	Angled socket	
	3-pin	4-pin
	Clip-on	
Plug coding	A	
Connection technology, right-hand end		
Electrical connection	Open end	
	3-wire	4-wire
Cable property	Standard	
Cable test conditions	Energy chain: 5 million cycles, bending radius 75 mm	
	Resistance to bending: to Festo standard	
	Test conditions on request	
Cable length [m]	2.5	2.5
	5	5
	10	–
Cable sheath colour	Grey	
Cable composition	3x0.25 mm <sup>2</sup>	4x0.25 mm <sup>2</sup>
Information on cable sheath materials	TPE-U(PU)	
Information on insulating sheath materials	PVC	
Cable diameter [mm]	4.5	
Conductor nominal cross section [mm <sup>2</sup> ]	0.25	
Acceptable current load at 40 °C [A]	3	

Mechanical components	
Housing colour	Black
Information on housing materials	TPE-U(PU)

# Connecting cables SIM, clip-on

Technical data

Immissions/emissions		
Electrical connection	3-pin	4-pin
Ambient temperature [°C]	-25 ... +70	
Ambient temperature with flexible cable installation [°C]	-5 ... +70	
Protection class	IP65, IP67	
Surge capacity [kV]	1.5	0.8
Degree of contamination	3	

Pin allocation to EN 60947-5-2						
Socket, 3-pin		Pin	Wire colour	Socket, 4-pin		
	1	1	Brown		1	Brown
	3	3	Blue		2	White
	4	4	Black		3	Blue
			4		Black	

### Dimensions

SIM-K-...-GD-...-PU

1 Straight socket      2 PUR cable

[Download CAD data → www.festo.com](#)

SIM-K-...-WD-...-PU

1 Angled socket      2 PUR cable

	D1 ∅	D2 ∅	H1	L1	L2	L3
	±0.1	±0.1	+0.3/-0.4	+3% [m]	±2	±0.4
SIM-K-...-GD-2,5-PU	4.5	8.5	-	2.5	50	33.6
SIM-K-...-GD-5-PU				5		
SIM-K-...-GD-10-PU				10		
SIM-K-...-WD-2,5-PU	4.5	8.5	18.4	2.5	50	26.8
SIM-K-...-WD-5-PU				5		
SIM-K-...-WD-10-PU				10		

Ordering data					
Electrical connection		Number of wires	Cable length [m]	Part No.	Type
Left-hand end	Right-hand end				
<b>Clip-on</b>					
Straight socket	Open end	3	2.5	164257	SIM-K-GD-2,5-PU
			5	164256	SIM-K-GD-5-PU
			10	192962	SIM-K-GD-10-PU
Angled socket	Open end	3	2.5	164255	SIM-K-WD-2,5-PU
			5	164254	SIM-K-WD-5-PU
			10	192963	SIM-K-WD-10-PU
Straight socket	Open end	4	2.5	164250	SIM-K-4-GD-2,5-PU
			5	164251	SIM-K-4-GD-5-PU
Angled socket	Open end	4	2.5	164252	SIM-K-4-WD-2,5-PU
			5	164253	SIM-K-4-WD-5-PU

# Connecting cables SIM, Clean Design

FESTO

Technical data

Connecting cable  
**SIM-K-...-CDN,**  
**3-pin, clip-on, Clean Design**

Suitable for food, resistant to cleaning  
 and disinfecting agents to DIN 11483



General technical data	
Conforms to	EN 61076-2-104 EN 61984
Note on materials	Free of copper and PTFE RoHS-compliant

Electronic components		
Operating voltage range	[V AC]	0 ... 60
Operating voltage range	[V DC]	0 ... 60


Electromechanical components		
Connection technology, left-hand end		
Electrical connection		Straight socket
		Angled socket
		3-pin
		Clip-on
Plug coding		A
Connection technology, right-hand end		
Electrical connection		Open end
		3-wire
Cable property		Standard
Cable test conditions		Energy chain: 5 million cycles, bending radius 75 mm
		Resistance to bending: to Festo standard
		Test conditions on request
Cable length	[m]	2.5
		5
Cable sheath colour		Grey
Cable composition		3x0.25 mm <sup>2</sup>
Information on cable sheath materials		PVC, radiation crosslinking
Information on insulating sheath materials		PVC, radiation crosslinking
Cable diameter	[mm]	4.5
Conductor nominal cross section	[mm <sup>2</sup> ]	0.25
Acceptable current load at 40 °C	[A]	3

Mechanical components	
Housing colour	Black
Information on housing materials	TPE-U(PU)

# Connecting cables SIM, Clean Design

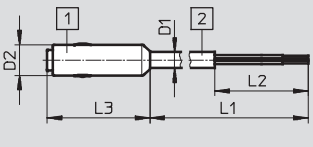
Technical data

Immissions/emissions		
Ambient temperature	[°C]	-25 ... +70
Ambient temperature with flexible cable installation	[°C]	-5 ... +70
Protection class		IP65, IP67, IP69K
Surge capacity	[kV]	1.5
Degree of contamination		3

Pin allocation to EN 60947-5-2		
Socket, 3-pin	Pin	Wire colour
	1	Brown
	3	Blue
	4	Black

### Dimensions

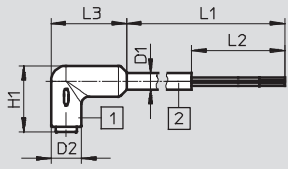
SIM-K-GD-...-CDN



1 Straight socket      2 PUR cable

[Download CAD data → www.festo.com](#)

SIM-K-WD-...-CDN



1 Angled socket      2 PUR cable



	D1 ∅ ±0.1	D2 ∅	H1	L1 +3% [m]	L2 ±2	L3
SIM-K-GD-2,5-CDN	4.5	8.5	-	2.5	50	28.5
SIM-K-GD-5-CDN				5		
SIM-K-WD-2,5-CDN	4.5	8.5	18.4	2.5	50	21
SIM-K-WD-5-CDN				5		

Ordering data						
Electrical connection		Number of wires	Cable length [m]	Part No.	Type	
Left-hand end	Right-hand end					
Clean Design						
Straight socket	Open end	3	2.5	525259	SIM-K-GD-2,5-CDN	
			5	525260	SIM-K-GD-5-CDN	
Angled socket	Open end	3	2.5	525261	SIM-K-WD-2,5-CDN	
			5	525262	SIM-K-WD-5-CDN	

# Connecting cables, universal

Accessories

**FESTO**

Ordering data						
	Material	Use	Size	Part No.	Type	PU <sup>1)</sup>
Inscription label						
	Polycarbonate	For insertion in the inscription label holder	23x4 mm	<b>541598</b>	<b>ASLR-L-423</b>	<b>34</b>
Safety clip						
	Polyamide	For protecting against inadvertent disconnection of the union nuts (no tool needed) For captive attachment to the cable	M8	<b>548067</b>	<b>NEAU-M8-GD</b>	<b>1</b>
			M12	<b>548068</b>	<b>NEAU-M12-GD</b>	<b>1</b>

1) Packaging unit per frame