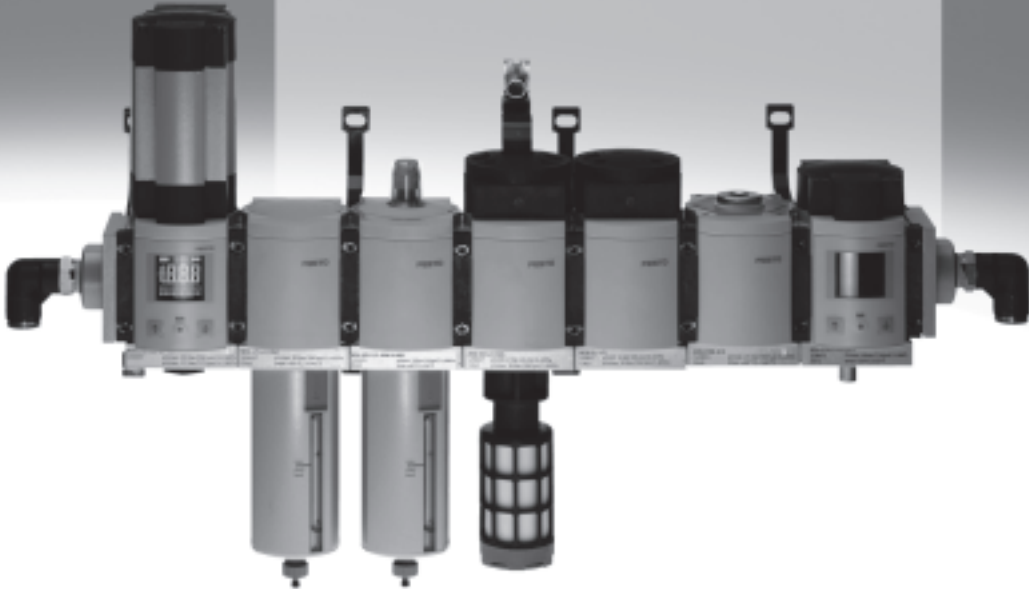






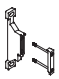

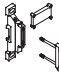






Accessories, MS series



Accessories, MS series

Product range overview







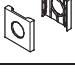


FESTO

Type		Accessories for size			
		MS4	MS6	MS9	MS12
Mounting attachments for individual devices					
Mounting bracket MS-WB		■ → 4	■ → 4	-	-
Mounting bracket MS-WBM		■ → 4	-	-	-
Mounting bracket MS-WR		■ → 5	■ → 5	-	-
Hex nut MS-WRS		■ → 5	■ → 5	-	-
Mounting attachments for individual devices/combinations					
Mounting bracket MS-WP		■ → 7	■ → 7	■ → 13	■ → 15
Mounting bracket MS-WPB		■ → 8	■ → 8	■ → 13	-
Mounting bracket MS-WPM		■ → 9	■ → 9	■ → 14	-
Mounting bracket MS-WPE		■ → 10	■ → 10	-	-
Connectors					
Module connector MS-MV		■ → 10	■ → 10	■ → 14	■ → 15
Module connector MS-MVM		■ → 10	■ → 10	-	-
Module connector MS-RMV		■ → 16	■ → 16	■ → 19	-
Module connector MS-AMV		■ → 16	■ → 16	-	-
Module connector MS-ARMV		-	■ → 19	■ → 19, 21	■ → 21

Accessories, MS series

Product range overview

FESTO

Type	Accessories for size				
	MS4	MS6	MS9	MS12	
Adapters for mounting on profiles					
Power supply modules MS-E-IPM-40-80		■ → 24	■ → 24	-	-
Power supply modules MS-E-IPM-80-80		■ → 24	■ → 24	-	-
Branching modules MS-A-IPM-80		■ → 24	■ → 24	-	-
Branching modules MS-A-RMV-IPM-80		■ → 24	■ → 24	-	-
Sealing rings MS-NNR		■ → 24	■ → 24	-	-
Cover plates					
Connecting plate MS-AG...		■ → 30	■ → 30	■ → 32	■ → 33
Cover plate MS-END		■ → 31	■ → 31	-	-
Mounting plate MS-AEND		■ → 31	■ → 31	-	-
Security components					
Padlock LRVS-D		■ → 34	■ → 34	■ → 34	■ → 34

Accessories, MS series

FESTO

Mounting attachments MS4/MS6

Mounting bracket MS4/6-WB

(order code: WB)

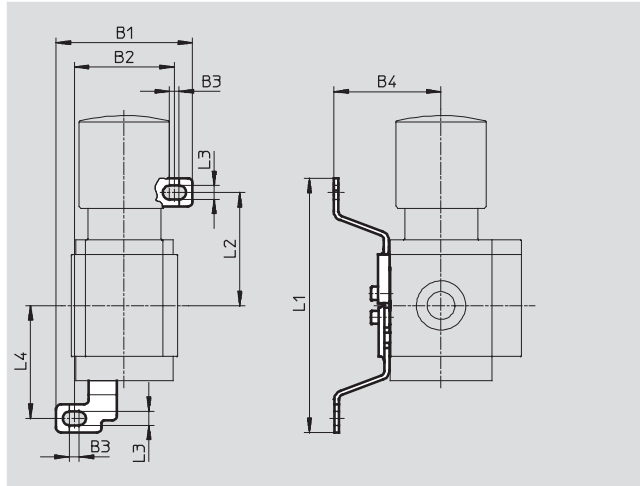
- For wall mounting

Material:

Steel

Note on materials:

RoHS-compliant (MS6-WB only)



Dimensions and ordering data											
Size	B1	B2	B3	B4	L1	L2	L3	L4	Weight [g]	Part No.	Type
MS4	56.2	41.2	4	44.2	104.6	46.6	5.6	46.5	46	532185	MS4-WB
MS6	79.4	61.9	4.5	55	157.6	71	6.6	71	121	532196	MS6-WB

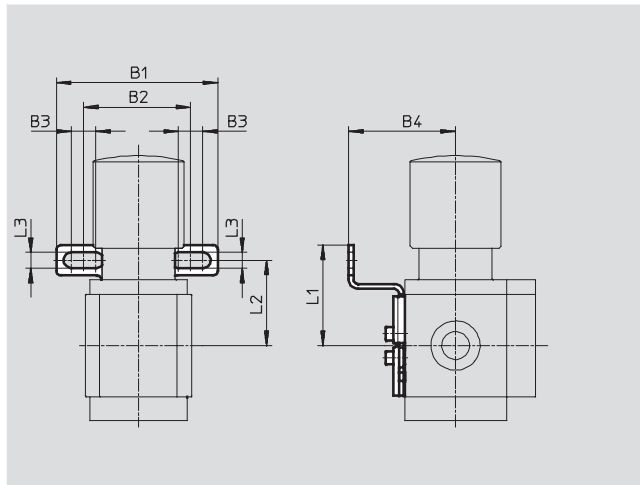
Mounting bracket MS4-WBM

(order code: WBM)

- For wall mounting

Material:

Steel



Dimensions and ordering data											
Size	B1	B2	B3	B4	L1	L2	L3	Weight [g]	Part No.	Type	
MS4	66.5	44	10	44	41.3	35	6.5	48	526062	MS4-WBM	

Accessories, MS series

Mounting attachments MS4/MS6

Mounting bracket MS4/6-WR

(order code: WR)


- For wall mounting
- For filter regulator, pressure regulator

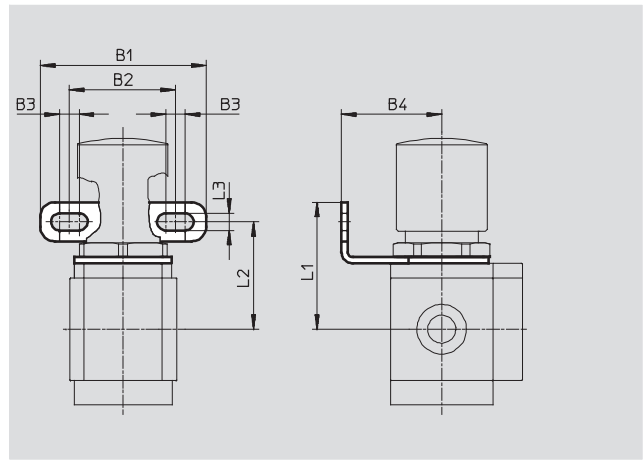
Material:

Steel

Note on materials:

RoHS-compliant (MS6-WR only)

 Note
The hex nut for attaching components to this bracket must be ordered separately.



Dimensions and ordering data										
Size	B1	B2	B3	B4	L1	L2	L3	Weight [g]	Part No.	Type
MS4	68	44	8	41	52	44	7	49	526064	MS4-WR
MS6	70	42	8.2	40	67	57	7.1	90	526075	MS6-WR

Hex nut MS4/6-WRS

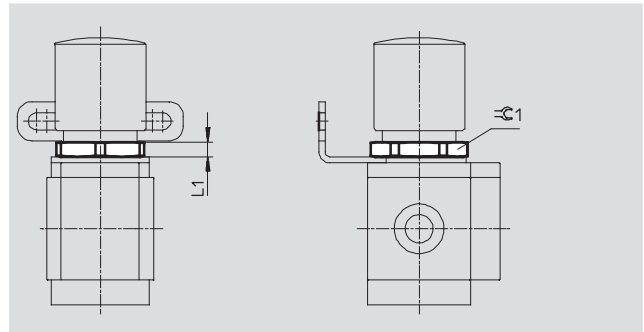
- For front panel mounting
- For attaching the mounting bracket MS...-WR

Material:

Aluminium

Note on materials:

RoHS-compliant (MS6-WRS only)



Dimensions and ordering data					
Size	L1	∅ 1	Weight [g]	Part No.	Type
MS4	6	36	6.9	532187	MS4-WRS
MS6	7	55	20.9	532188	MS6-WRS

Accessories, MS series

Mounting attachments MS4/MS6

Mounting bracket MS4/6-WP...

Clearances for mounting service unit combinations

Size MS4

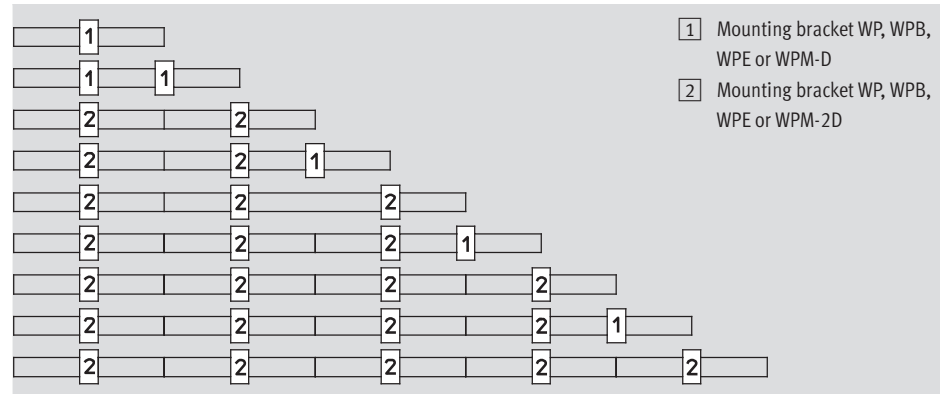
- 1 service unit with MS4-WP... : 40.2 mm (20.1 mm)¹⁾
- 2 service units with MS4-WP... : 80.4 mm (40.2 mm)¹⁾

Size MS6

- 1 service unit with
 - MS6-WP/WPB/WPE: 62 mm (31 mm)¹⁾
 - MS6-WPM-D: 69 mm (38 mm)¹⁾
- 2 service units with
 - MS6-WP/WPB/WPE: 124 mm (62 mm)¹⁾
 - MS6-WPM-2D: 138 mm (76 mm)¹⁾

Number of units

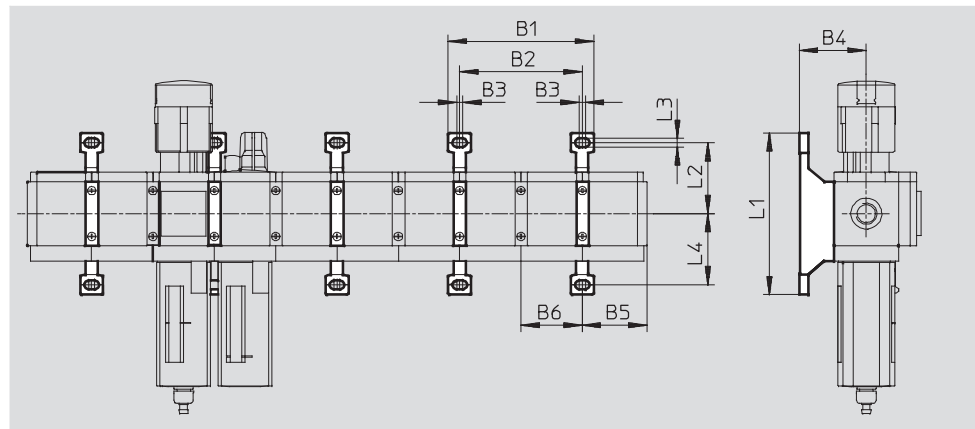
1 2 3 4 5 6 7 8 9 10



1) With distributor block MS-FRM-FRZ

Mounting dimensions

Note
The distributor block MS4/6-FRM-FRZ has a dimension of half grid width.



Type	2 service units with grid dimension		1 service unit with grid dimension and 1 distributor block MS-FRM-FRZ		2 distributor blocks MS-FRM-FRZ		B3	B4	Service unit with grid dimension		Distributor block MS-FRM-FRZ		L1	L2	L3	L4
	B1	B2	B1	B2	B1	B2			B5 ¹⁾	B6	B5 ¹⁾	B6				
MS4-WP	95.4	80.4	75.3	60.3	55.2	40.2	4	44	41.9	40.2	21.8	20.1	106	46.5	5.6	46.7
MS4-WPB/WPE								66								
MS4-WPM-...D								44								
MS6-WP	141	124	110	93	79	62	4.5	54.1	64.5	62	33.5	31	158	71	6.6	71
MS6-WPB/WPE								90.5								
MS6-WPM-...D								54.1								
	168	138	137	107	106	76	17.5	68	69	37	38	98.6	41.3			41.3

1) With accessory cover plate MS-END

Accessories, MS series

Mounting attachments MS4/MS6

FESTO

Mounting bracket MS4/6-WP

(order code: WP)

- For connecting modules via wall mounting
- In combination with a connecting plate MS4/6-AG... for individual wall mounting
- In combination with mounting plate MS4/6-AEND for individual wall mounting via direct thread
- For pressure regulator LRB with angled outlet block B... at rear
- Same wall gap for combination with MS4 and MS6 series

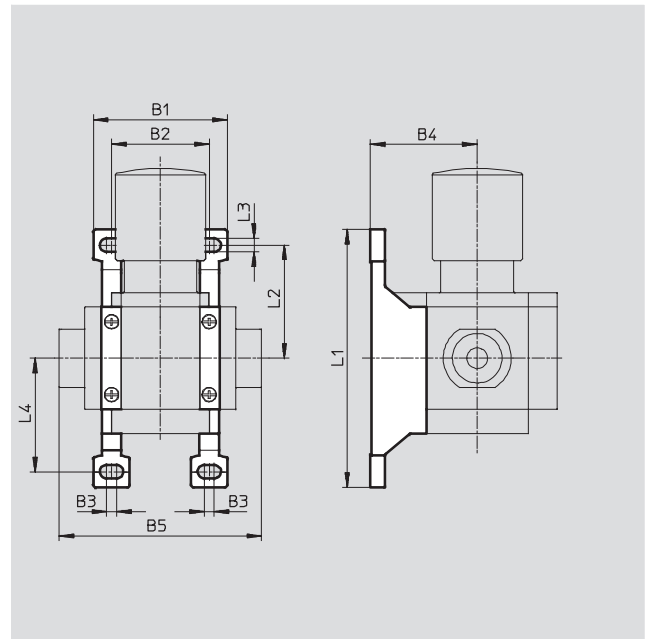
Material:

Die-cast aluminium

Note on materials:

RoHS-compliant (MS6-WP only)

Free of copper and PTFE



Dimensions and ordering data													
Size	B1	B2	B3	B4	B5	L1	L2	L3	L4	CRC ¹⁾	Weight [g]	Part No.	Type
MS4	55.2	40.2	4	44	83.4	106	46.5	5.6	46.7	2	39	532184	MS4-WP
MS6	79	62	4.5	54.1	115	158	71	6.6	71	2	76	532195	MS6-WP
For use in explosive areas in zones 2 and 22													
MS4	55.2	40.2	4	44	83.4	106	46.5	5.6	46.7	2	39	541554	MS4-WP-EX
MS6	79	62	4.5	54.1	115	158	71	6.6	71	2	76	541544	MS6-WP-EX

1) Corrosion resistance class 2 as per Festo standard 940 070

Components subject to moderate corrosion stress. Externally visible parts with primarily decorative surface requirements which are in direct contact with a normal industrial environment or media such as coolants or lubricating agents.

Accessories, MS series

Mounting attachments MS4/MS6

FESTO

Mounting bracket MS4/6-WPB

(order code: WPB)

- For connecting modules via wall mounting
- In combination with a connecting plate MS4/6-AG... for individual wall mounting
- In combination with mounting plate MS4/6-AEND for individual wall mounting via direct thread
- Provides large wall gap for pressure regulator

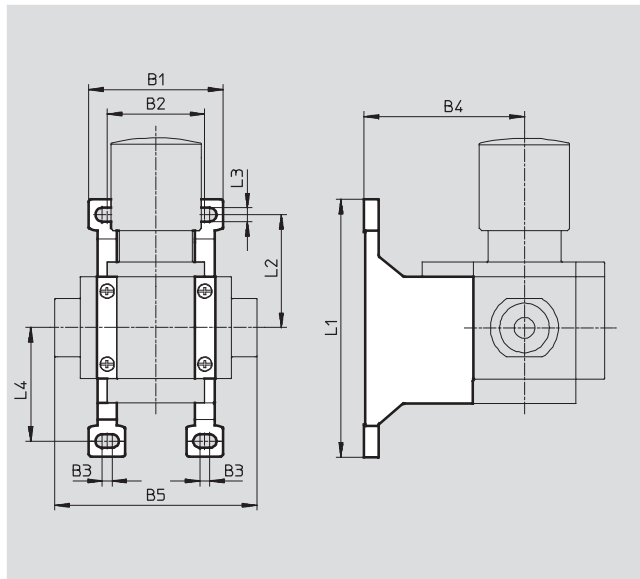
Material:

Die-cast aluminium

Note on materials:

RoHS-compliant (MS6-WPB only)

Free of copper and PTFE



Dimensions and ordering data													
Size	B1	B2	B3	B4	B5	L1	L2	L3	L4	CRC ¹⁾	Weight [g]	Part No.	Type
MS4	55.2	40.2	4	66	83.4	106	46.5	5.6	46.7	2	55	526063	MS4-WPB
MS6	79	62	4.5	90.5	115	158	71	6.6	71	2	115	526074	MS6-WPB
For use in explosive areas in zones 2 and 22													
MS4	55.2	40.2	4	66	83.4	106	46.5	5.6	46.7	2	55	541552	MS4-WPB-EX
MS6	79	62	4.5	90.5	115	158	71	6.6	71	2	115	541542	MS6-WPB-EX

1) Corrosion resistance class 2 as per Festo standard 940 070

Components subject to moderate corrosion stress. Externally visible parts with primarily decorative surface requirements which are in direct contact with a normal industrial environment or media such as coolants or lubricating agents.

Accessories, MS series

Mounting attachments MS4/MS6

Mounting bracket MS4/6-WPM

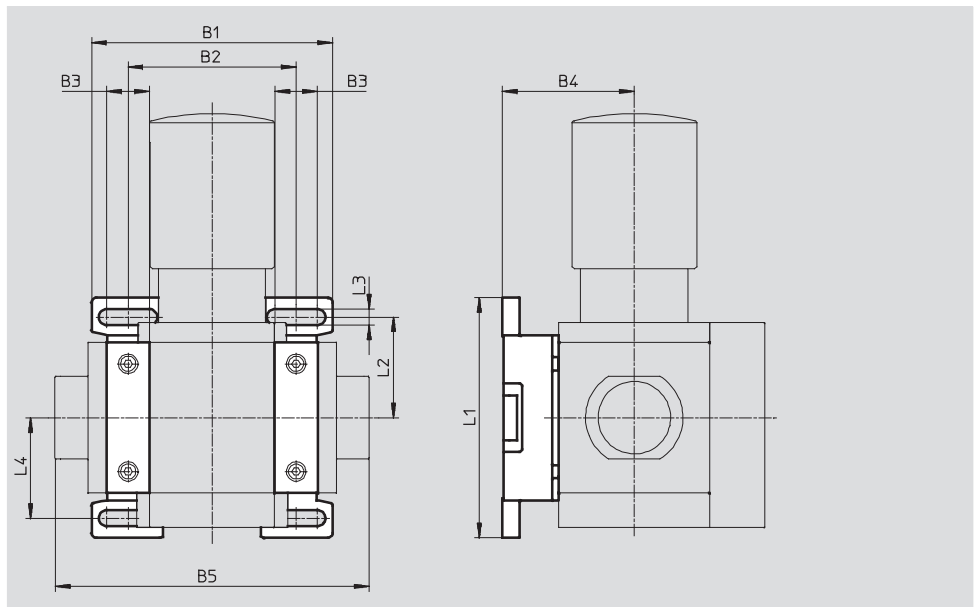
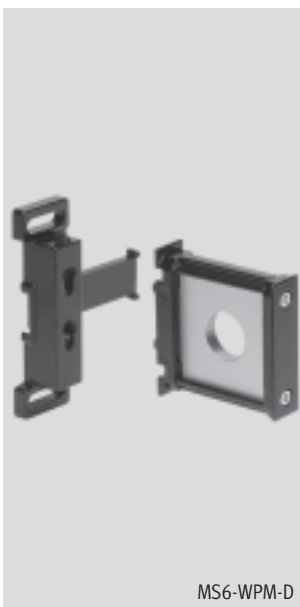
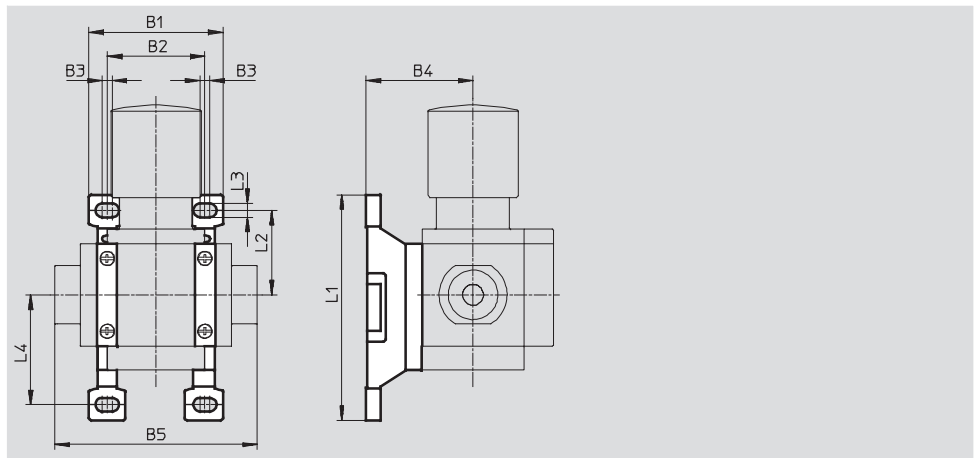
(order code: WPM)

- For connecting modules via wall mounting
- In combination with a connecting plate MS4/6-AG... for individual wall mounting
- Speedy attachment and detachment
- For installation of modules with regulating knob pointing downwards

The distance piece D or 2D (designated in the type code) is included in the scope of delivery and ensures the correct clearance

Material:
Die-cast aluminium

Note on materials:
RoHS-compliant (MS6-WPM only)



Dimensions and ordering data													
Size	B1	B2	B3	B4	B5	L1	L2	L3	L4	Clearance	Weight [g]	Part No.	Type
MS4	55.2	40.2	4	44	83.4	92.8	34.8	5.6	45.2	40.2	45	526060	MS4-WPM-D
	95.4	80.4			123.4					80.4	55	526061	MS4-WPM-2D
MS6	99	69	17.5	54.1	129	98.6	41.3	6.6	41.3	69	144	526073	MS6-WPM-D
	168	138			198					138	154	532186	MS6-WPM-2D

Accessories, MS series

Mounting attachments MS4/MS6

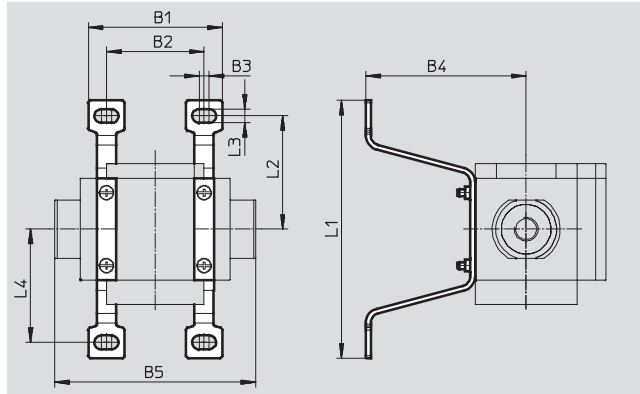
FESTO

Mounting bracket MS4/6-WPE

- Inexpensive alternative to mounting bracket MS4/6-WPB

Note on materials:

RoHS-compliant



Dimensions and ordering data												
Size	B1	B2	B3	B4	B5	L1	L2	L3	L4	CRC ¹⁾	Part No.	Type
MS4	55.2	40.2	4.2	66	83.4	106	46.6	5.7	46.6	2	558869	MS4-WPE
MS6	79	62	4.3	90.5	115	158	71	6.5	71	2	1025936	MS6-WPE

1) Corrosion resistance class 2 as per Festo standard 940 070

Components subject to moderate corrosion stress. Externally visible parts with primarily decorative surface requirements which are in direct contact with a normal industrial environment or media such as coolants or lubricating agents.

Module connector MS4/6-MV

- For connecting modules

Material:

Stainless steel/polyacetal

Note on materials:

RoHS-compliant (MS6-MV only)

Free of copper and PTFE



Ordering data				
Size	CRC ¹⁾	Weight [g]	Part No.	Type
MS4	2	36	532798	MS4-MV
MS6	2	54	532799	MS6-MV
For use in explosive areas in zones 2 and 22				
MS4	2	36	541553	MS4-MV-EX
MS6	2	54	541543	MS6-MV-EX

1) Corrosion resistance class 2 as per Festo standard 940 070

Components subject to moderate corrosion stress. Externally visible parts with primarily decorative surface requirements which are in direct contact with a normal industrial environment or media such as coolants or lubricating agents.

Accessories, MS series

Mounting attachments MS4/MS6

Module connector MS4/6-MVM

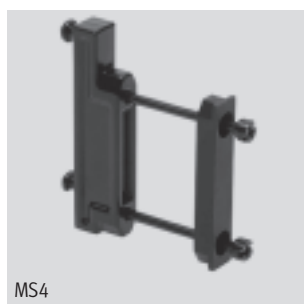
- For installation of modules with regulating knob pointing downwards

Material:

Die-cast aluminium

Note on materials:

RoHS-compliant (MS6-MVM only)



Ordering data		
Size	Part No.	Type
MS4	532800	MS4-MVM
MS6	532801	MS6-MVM

Accessories, MS series

Mounting attachments MS9

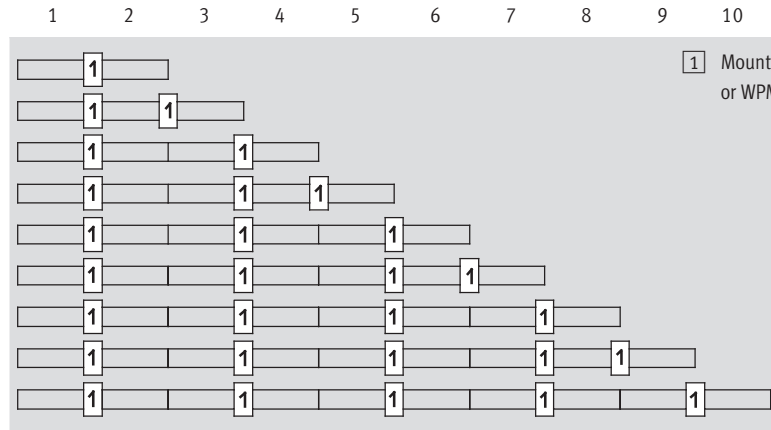
Mounting bracket MS9-WP...

Clearances for mounting service unit combinations

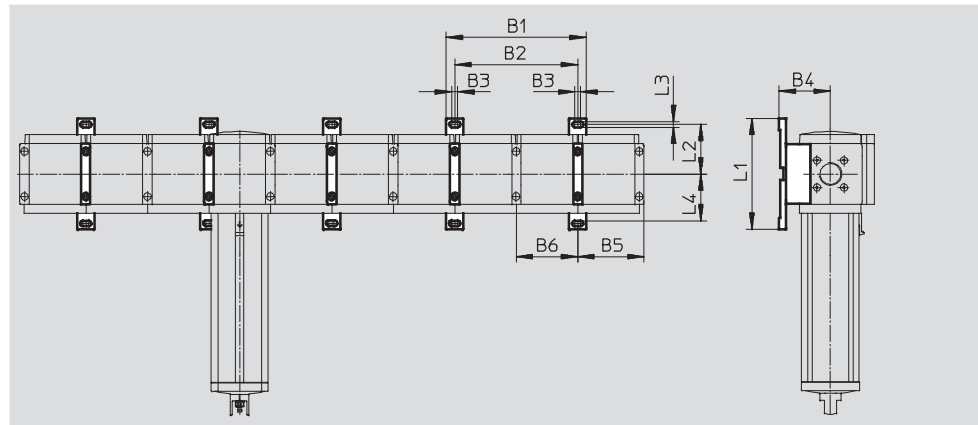
1 service unit: 90 mm

2 service units: 180 mm

Number of units



Mounting dimensions



Type	B1	B2	B3	B4	B5	B6	L1	L2	L3	L4
MS9-WP	205	180	8.5	75	97	90	162	72.75	8.3	72.25
MS9-WPB				99						
MS9-WPM				90.5						

Accessories, MS series

Mounting attachments MS9

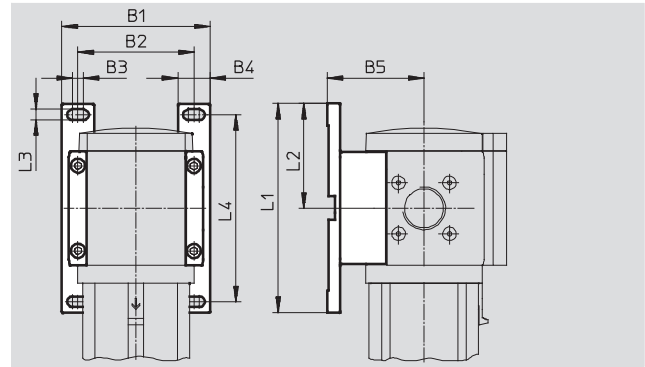
Mounting bracket MS9-WP

(order code: WP)

- For connecting modules via wall mounting
- In combination with a connecting plate MS9-AG... for individual wall mounting

Material:
 Module connector, bracket,
 hollow bolt: Die-cast aluminium
 Screws: Steel
 Seals: Nitrile rubber
 RoHS-compliant
 Free of copper and PTFE

Temperature of medium:
 -10 ... +60 °C



Dimensions and ordering data													
Size	B1	B2	B3	B4	B5	L1	L2	L3	L4	CRC ¹⁾	Weight [g]	Part No.	Type
MS9	115	90	8.5	25	75	162	81.25	8.3	145	2	180	552947	MS9-WP

1) Corrosion resistance class 2 as per Festo standard 940 070
 Components subject to moderate corrosion stress. Externally visible parts with primarily decorative surface requirements which are in direct contact with a normal industrial environment or media such as coolants or lubricating agents.

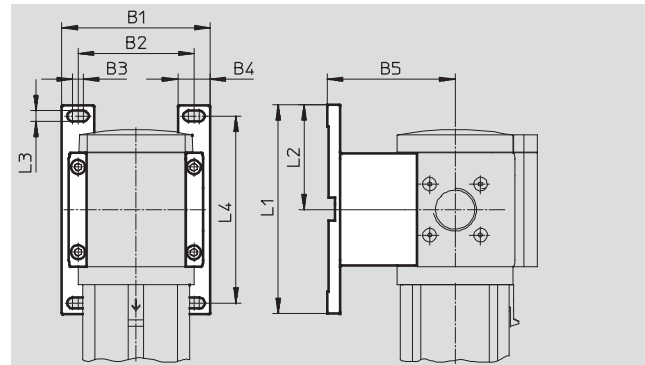
Mounting bracket MS9-WPB

(order code: WPB)

- For connecting modules via wall mounting
- In combination with a connecting plate MS9-AG... for individual wall mounting
- Same wall gap for combination with MS12 series using the mounting bracket MS12-WP

Material:
 Module connector, bracket,
 hollow bolt: Die-cast aluminium
 Screws: Steel
 Seals: Nitrile rubber
 RoHS-compliant
 Free of copper and PTFE

Temperature of medium:
 -10 ... +60 °C



Dimensions and ordering data													
Size	B1	B2	B3	B4	B5	L1	L2	L3	L4	CRC ¹⁾	Weight [g]	Part No.	Type
MS9	115	90	8.5	25	99	162	81.25	8.3	145	2	210	552949	MS9-WPB

1) Corrosion resistance class 2 as per Festo standard 940 070
 Components subject to moderate corrosion stress. Externally visible parts with primarily decorative surface requirements which are in direct contact with a normal industrial environment or media such as coolants or lubricating agents.

Accessories, MS series

Mounting attachments MS9

Mounting bracket MS9-WPM

(order code: WPM)

- For connecting modules via wall mounting
- In combination with a connecting plate MS9-AG... for individual wall mounting

- Speedy attachment and detachment
- Same wall gap for combination with MS6 series using the mounting bracket MS6-WPB

The distance pieces included in the scope of delivery ensure the correct clearance.

Material:

Module connector, bracket, hollow

bolt: Die-cast aluminium

Screws: Steel

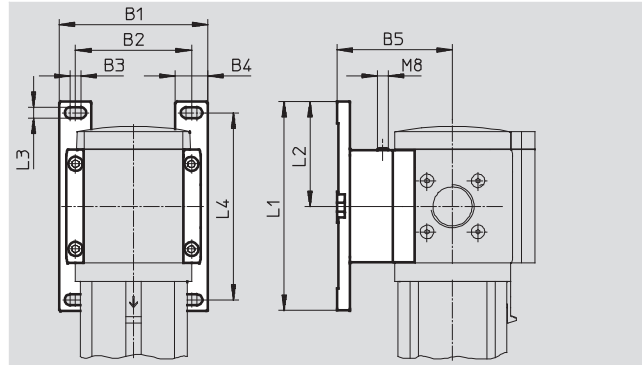
Seals: Nitrile rubber

RoHS-compliant

Free of copper and PTFE

Temperature of medium:

-10 ... +60 °C



Dimensions and ordering data

Size	B1	B2	B3	B4	B5	L1	L2	L3	L4	CRC ¹⁾	Weight [g]	Part No.	Type
MS9	115	90	8.5	25	90.5	162	81.25	8.3	145	2	220	552948	MS9-WPM

1) Corrosion resistance class 2 as per Festo standard 940 070

Components subject to moderate corrosion stress. Externally visible parts with primarily decorative surface requirements which are in direct contact with a normal industrial environment or media such as coolants or lubricating agents.

Module connector MS9-MV

- For connecting modules

Material:

Module connector, hollow bolt:

Die-cast aluminium

Screws: Steel

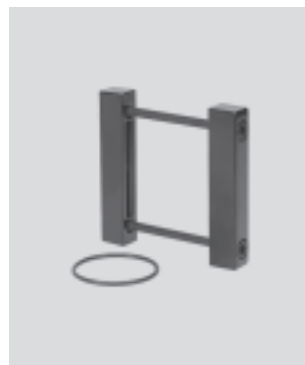
Seals: Nitrile rubber

RoHS-compliant

Free of copper and PTFE

Temperature of medium:

-10 ... +60 °C



Ordering data

Size	CRC ¹⁾	Weight [g]	Part No.	Type
MS9	2	110	552950	MS9-MV

1) Corrosion resistance class 2 as per Festo standard 940 070

Components subject to moderate corrosion stress. Externally visible parts with primarily decorative surface requirements which are in direct contact with a normal industrial environment or media such as coolants or lubricating agents.

Accessories, MS series

Mounting attachments MS12

Mounting bracket MS12-WP

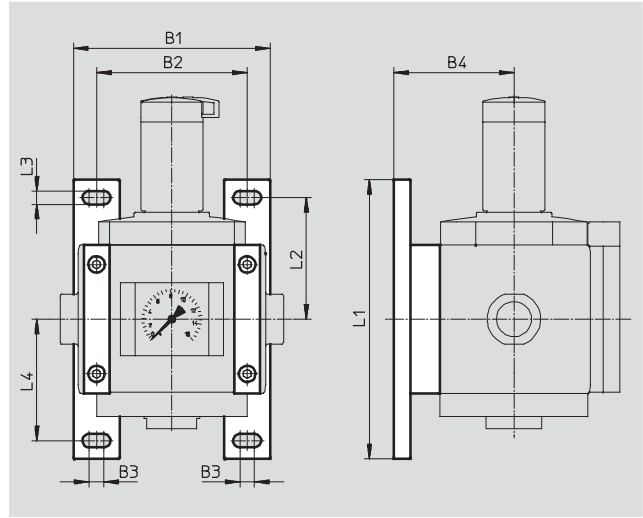
(order code: WP)

- For connecting modules via wall mounting
- In combination with a connecting plate for individual wall mounting

Material:

Die-cast aluminium

Free of copper and PTFE



Dimensions and ordering data											
Size	B1	B2	B3	B4	L1	L2	L3	L4	Weight [g]	Part No.	Type
MS12	162	124	12	99	230	100	11	100	700	537133	MS12-WP

Module connector MS12-MV

- For connecting modules

Material:

Die-cast aluminium

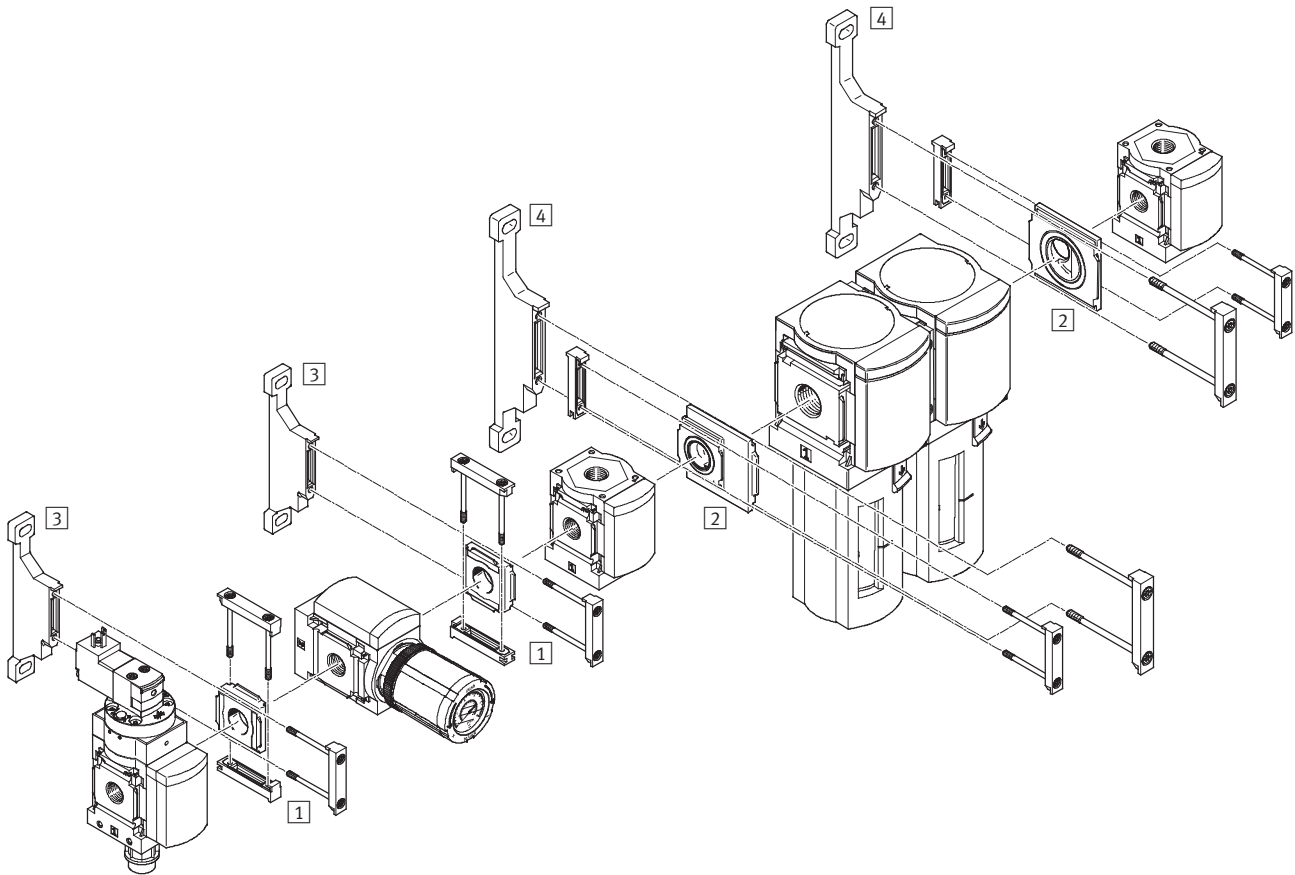
Free of copper and PTFE




Ordering data			
Size	Weight [g]	Part No.	Type
MS12	500	537134	MS12-MV

Accessories, MS series

Mounting attachments MS4/MS6



Mounting attachments		→ Page/Internet
1	Module connector MS4/6-RMV	17
2	Module connector MS4-6-AMV	18
3	Mounting bracket MS4-WP	7
4	Mounting bracket MS6-WP	7

-  - Note
Mounting attachments for wall
mounting → 6

Accessories, MS series

Mounting attachments MS4/MS6

FESTO

Module connector MS4/6-RMV

- For connecting service units at right angles to the axis of connection

Material:

Connecting plate, module connector:

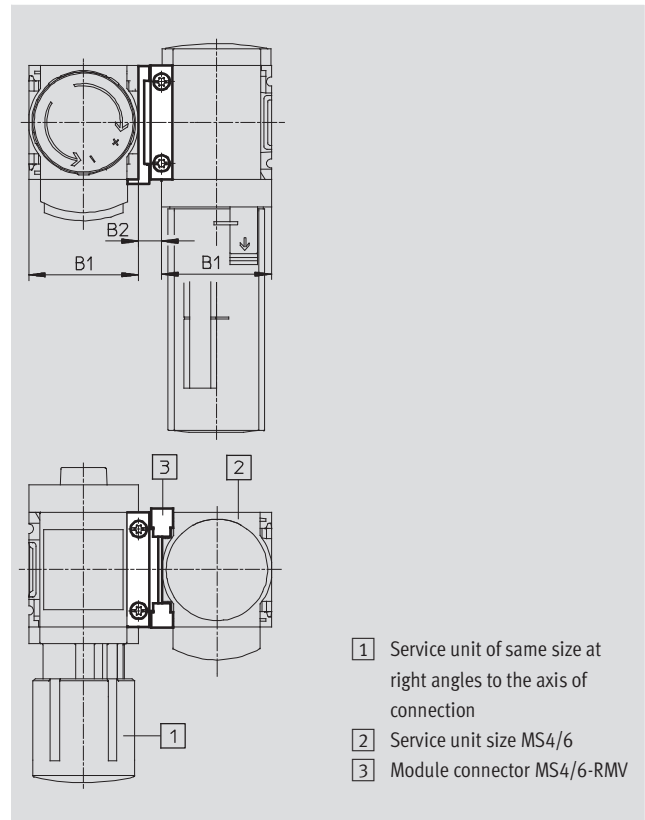
Die-cast aluminium

Sealing ring: Nitrile rubber

RoHS-compliant

Temperature of medium:

-10 ... +60 °C



- 1 Service unit of same size at right angles to the axis of connection
- 2 Service unit size MS4/6
- 3 Module connector MS4/6-RMV

Dimensions and ordering data						
Size	B1	B2	CRC ¹⁾	Weight [g]	Part No.	Type
MS4	40.2	8.5	2	42	543490	MS4-RMV
MS6	62	11	2	112	543491	MS6-RMV
For use in explosive areas in zones 2 and 22						
MS4	40.2	8.5	2	42	563393	MS4-RMV-EX
MS6	62	11	2	112	563394	MS6-RMV-EX

1) Corrosion resistance class 2 as per Festo standard 940 070
Components subject to moderate corrosion stress. Externally visible parts with primarily decorative surface requirements which are in direct contact with a normal industrial environment or media such as coolants or lubricating agents.

Accessories, MS series

Mounting attachments MS4/MS6

Module connector MS4-6-AMV

- For connecting MS4 and MS6 service units into one unit

Material:

Connecting plate, module connector:

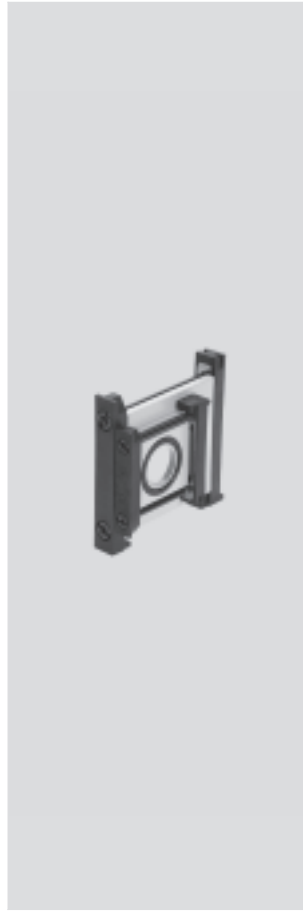
Die-cast aluminium


Sealing ring: Nitrile rubber

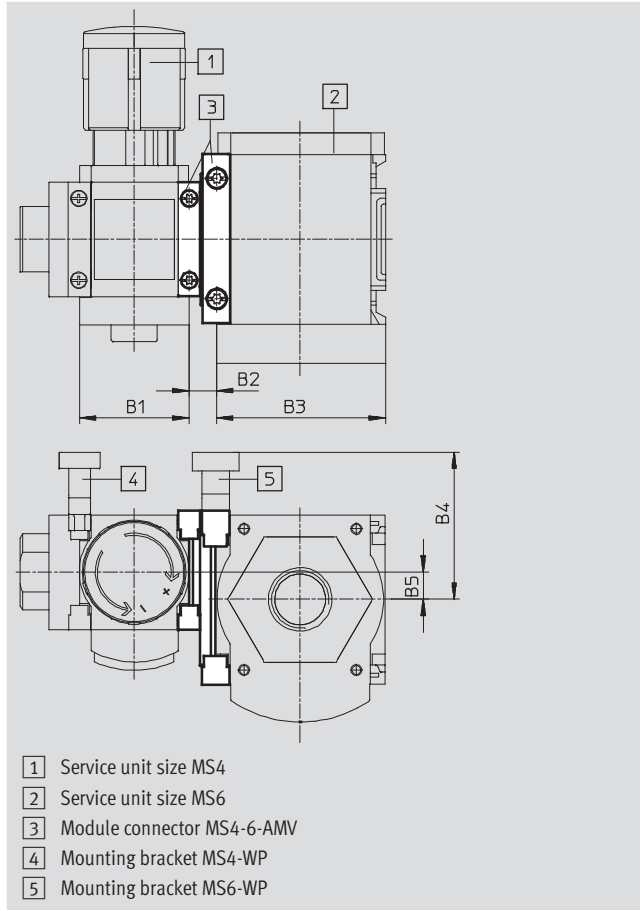
RoHS-compliant

Temperature of medium:

-10 ... +60 °C



 Note
The larger mounting bracket must always be used on the module connector. The mounting bracket must be ordered separately.

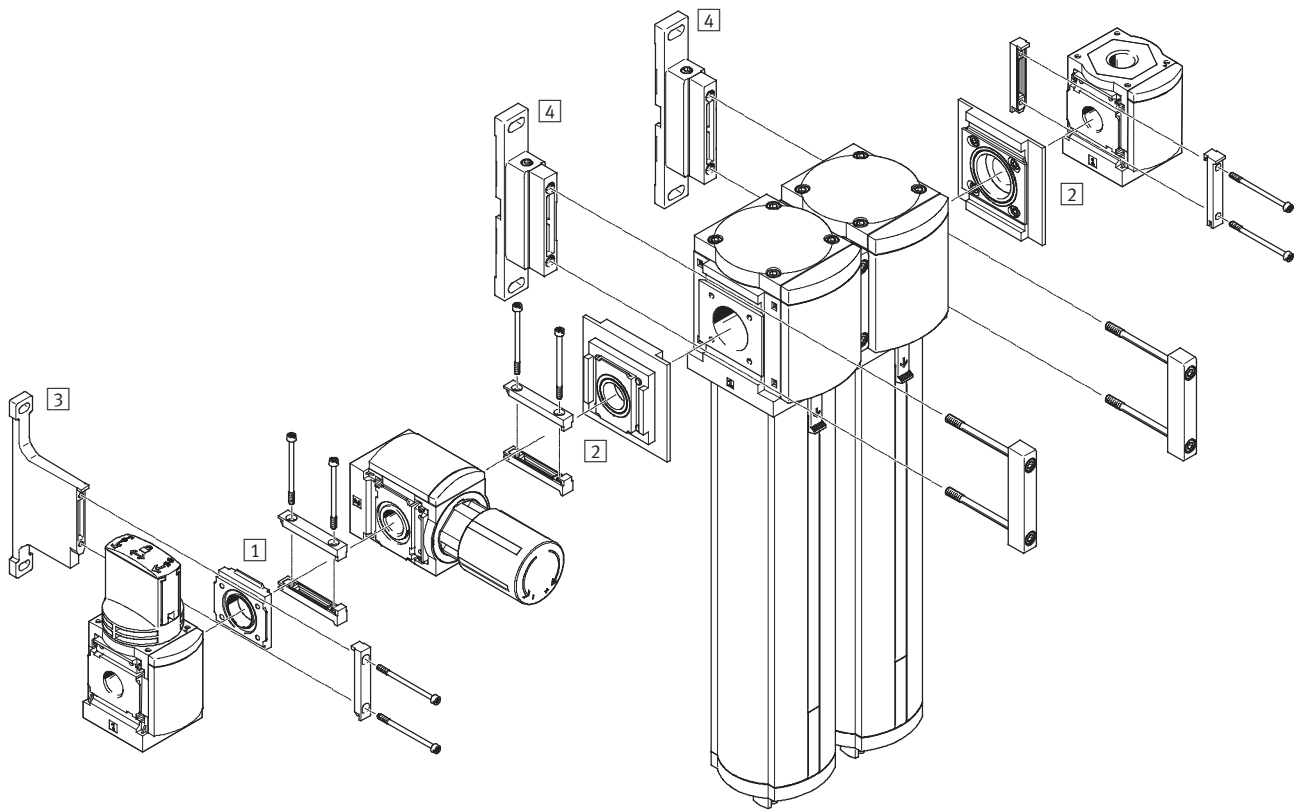


Dimensions and ordering data									
Size	B1	B2	B3	B4	B5	CRC ¹⁾	Weight [g]	Part No.	Type
MS4/6	40.2	10	62	54.1	10	2	77	543489	MS4-6-AMV
For use in explosive areas in zones 2 and 22									
MS4/6	40.2	10	62	54.1	10	2	77	563392	MS4-6-AMV-EX

1) Corrosion resistance class 2 as per Festo standard 940 070
Components subject to moderate corrosion stress. Externally visible parts with primarily decorative surface requirements which are in direct contact with a normal industrial environment or media such as coolants or lubricating agents.

Accessories, MS series

Mounting attachments MS6/MS9



Mounting attachments		→ Page/Internet
1	Module connector MS6-RMV	17
2	Module connector MS6-9-ARMV	20
3	Mounting bracket MS6-WPB	8
4	Mounting bracket MS9-WPM	14

Accessories, MS series

Module connector MS6/MS9

Module connector MS6-9-ARMV

- For connecting MS6 and MS9 service units into one unit
- Rotation of service unit at right angles to the axis of connection possible

Material:

Connecting plate, module connector:

Die-cast aluminium

Screws: Steel

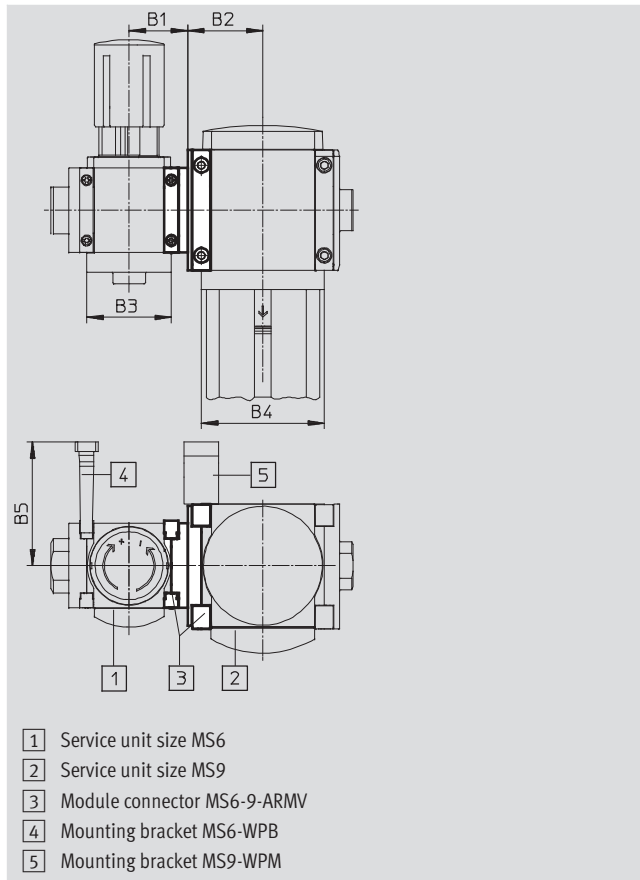
Seals: Nitrile rubber


RoHS-compliant

Free of copper and PTFE

Temperature of medium:

-10 ... +60 °C



 **Note**
 The larger mounting bracket must always be used on the module connector. The mounting bracket must be ordered separately.

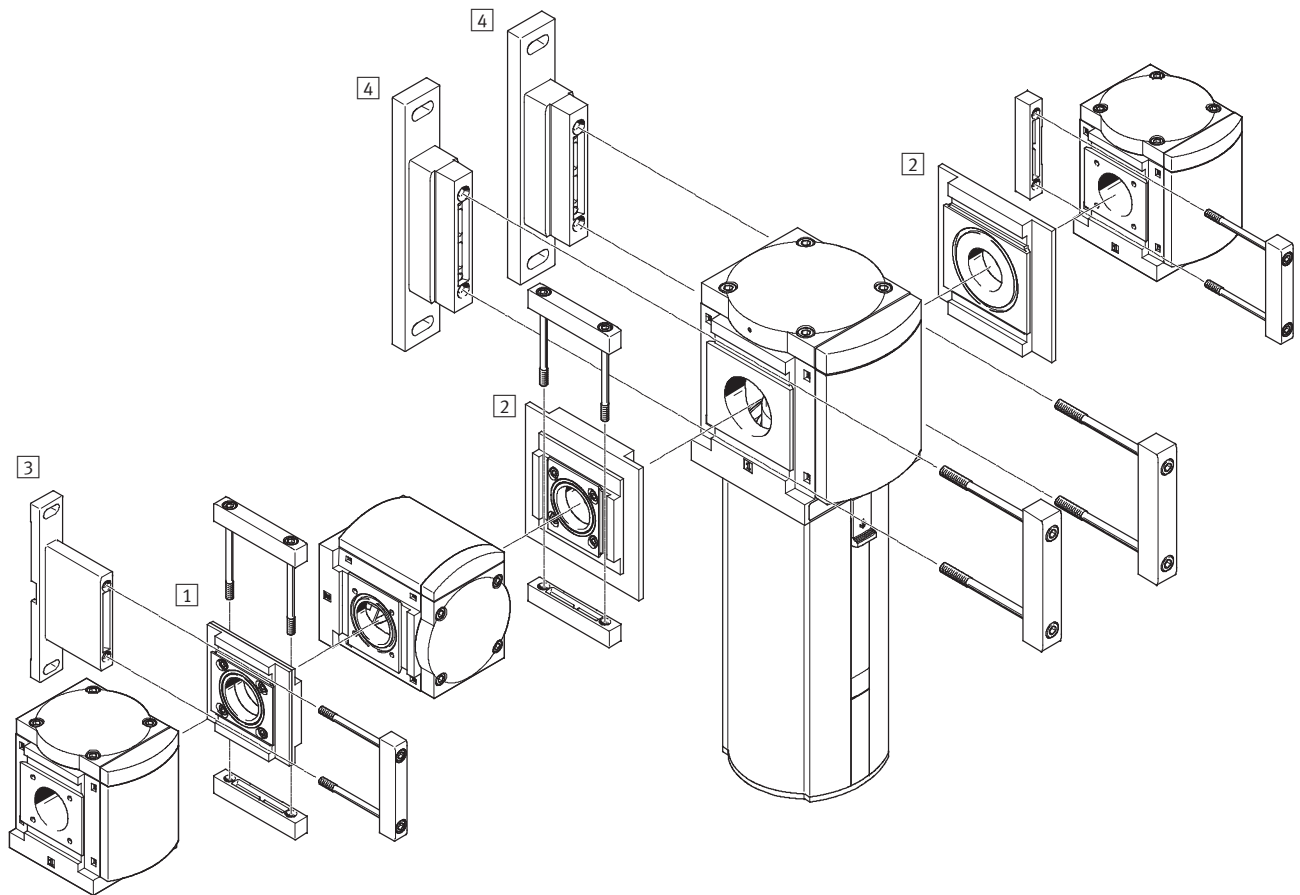
Dimensions and ordering data									
Size	B1	B2	B3	B4	B5	CRC ¹⁾	Weight [g]	Part No.	Type
MS6/9	43	55	62	90	90.5	2	350	552951	MS6-9-ARMV

1) Corrosion resistance class 2 as per Festo standard 940 070

Components subject to moderate corrosion stress. Externally visible parts with primarily decorative surface requirements which are in direct contact with a normal industrial environment or media such as coolants or lubricating agents.

Accessories, MS series

Mounting attachments MS9/MS12



Mounting attachments		→ Page/Internet
1	Module connector MS9-RMV	22
2	Module connector MS9-12-ARMV	23
3	Mounting bracket MS9-WPB	13
4	Mounting bracket MS12-WP	15

Accessories, MS series

Mounting attachments MS9/MS12

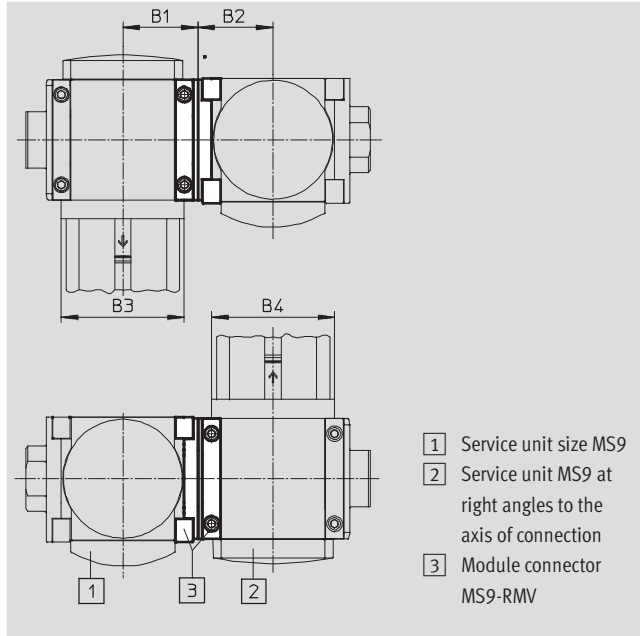
Module connector MS9-RMV

- For connecting service units at right angles to the axis of connection

Material:

Connecting plate, module connector:
Die-cast aluminium
Screws: Steel
Seals: Nitrile rubber
RoHS-compliant
Free of copper and PTFE

Temperature of medium:
-10 ... +60 °C



Dimensions and ordering data								
Size	B1	B2	B3	B4	CRC ¹⁾	Weight [g]	Part No.	Type
MS9	55	55	90	90	2	920	552952	MS9-RMV

1) Corrosion resistance class 2 as per Festo standard 940 070
Components subject to moderate corrosion stress. Externally visible parts with primarily decorative surface requirements which are in direct contact with a normal industrial environment or media such as coolants or lubricating agents.

Accessories, MS series

Mounting attachments MS9/MS12

Module connector MS9-12-ARMV

- For connecting MS9 and MS12 service units into one unit
- Rotation of service unit at right angles to the axis of connection possible

Material:

Connecting plate, module connector:

Die-cast aluminium

Screws: Steel

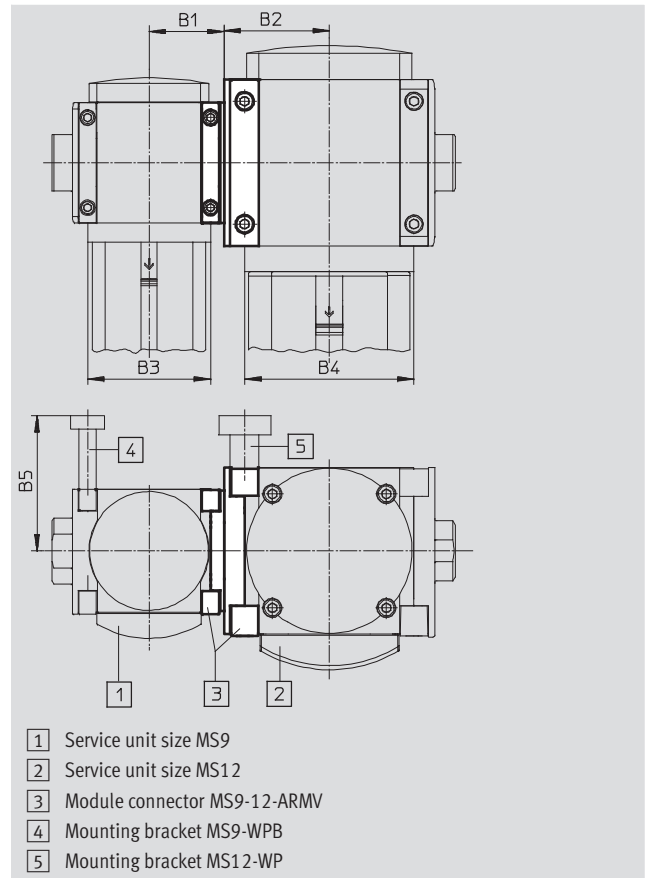
Seals: Nitrile rubber

RoHS-compliant

Free of copper and PTFE

Temperature of medium:

-10 ... +60 °C



 Note

The larger mounting bracket must always be used on the module connector. The mounting bracket must be ordered separately.

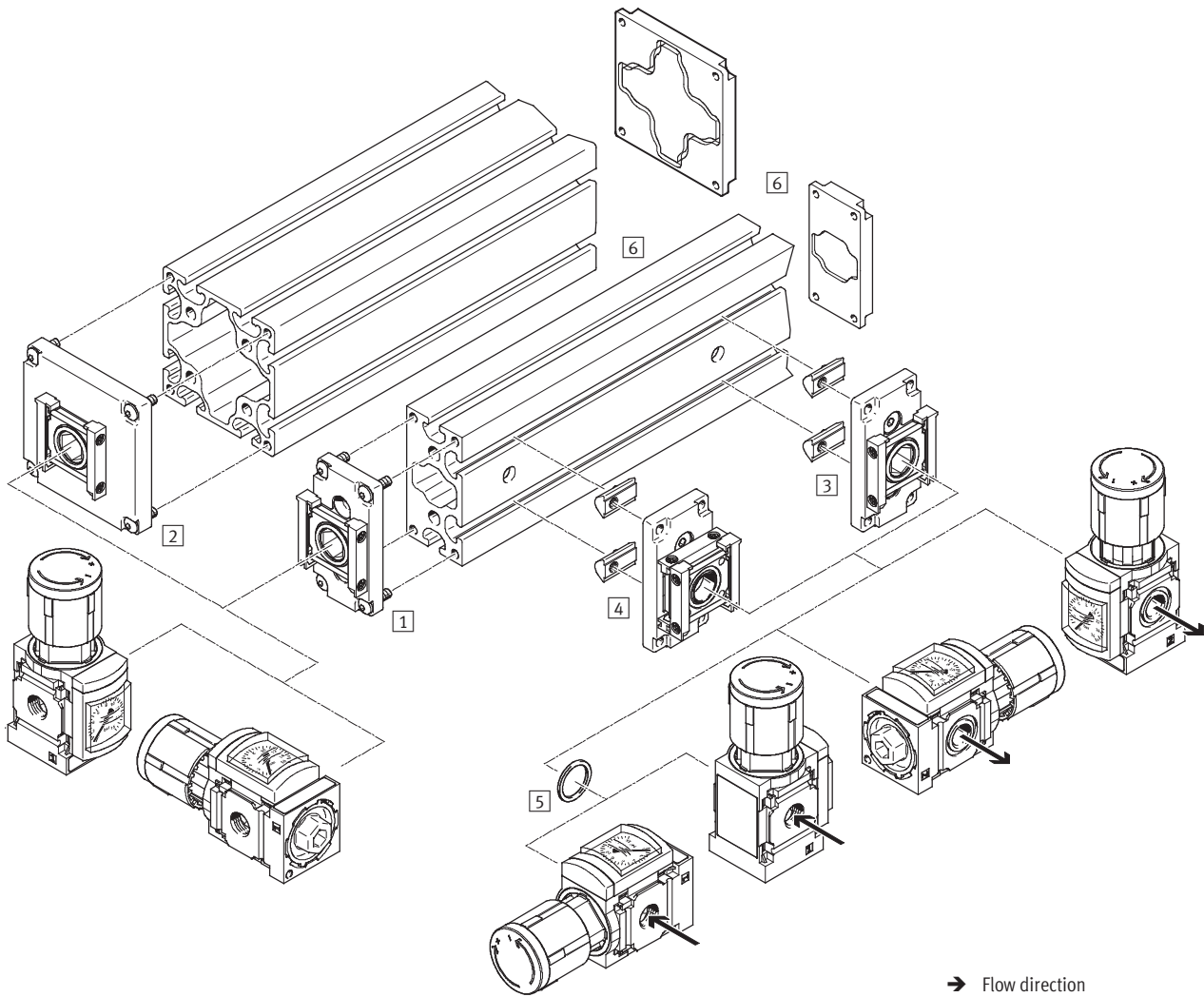
Dimensions and ordering data									
Size	B1	B2	B3	B4	B5	CRC ¹⁾	Weight [g]	Part No.	Type
MS9/12	55	77	90	124	99	2	990	552953	MS9-12-ARMV

1) Corrosion resistance class 2 as per Festo standard 940 070
 Components subject to moderate corrosion stress. Externally visible parts with primarily decorative surface requirements which are in direct contact with a normal industrial environment or media such as coolants or lubricating agents.

Accessories, MS series

Mounting attachments MS4/MS6

FESTO



→ Flow direction

Mounting attachments		→ Page/Internet
1	Power supply module MS4/6-E-IPM-40-80	25
2	Power supply module MS4/6-E-IPM-80-80	26
3	Branching module MS4/6-A-IPM-80	27
4	Branching module MS4/6-A-RMV-IPM-80	28
5	Sealing ring MS4/6-NNR	29
6	Profile 40x80/80x80, cover plate, supply plate, drilling jig	On request

-  - Note

Further mounting attachments are required for mounting a service unit combination → 6

Accessories, MS series

Mounting attachments MS4/MS6

FESTO

Power supply module

MS4/6-E-IPM-40-80

- For mounting a service unit to the front of a profile of size 40x80
- Module connector can be repositioned by 90° for horizontal mounting of a service unit

Material:

Connecting plate, hollow bolt, module connector: Die-cast aluminium

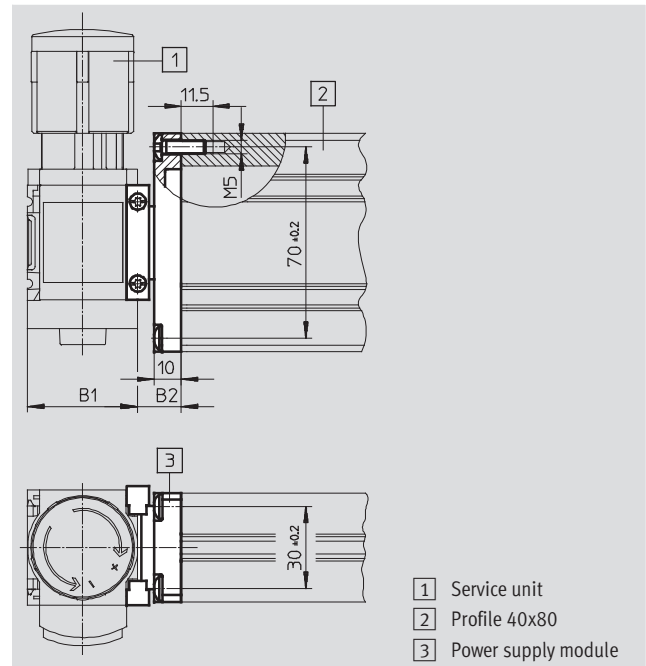
Screws: Steel

Seals: Nitrile rubber

RoHS-compliant

Temperature of medium:

-10 ... +60 °C



Dimensions and ordering data						
Size	B1	B2	CRC ¹⁾	Weight [g]	Part No.	Type
MS4	40.2	16	2	109	543494	MS4-E-IPM-40-80
MS6	62	16	2	141	543496	MS6-E-IPM-40-80

1) Corrosion resistance class 2 as per Festo standard 940 070
Components subject to moderate corrosion stress. Externally visible parts with primarily decorative surface requirements which are in direct contact with a normal industrial environment or media such as coolants or lubricating agents.

Accessories, MS series

Mounting attachments MS4/MS6

Power supply module

MS4/6-E-IPM-80-80

- For mounting a service unit to the front of a profile of size 80x80
- Module connector can be repositioned by 90° for horizontal mounting of a service unit

Material:

Connecting plate, hollow bolt, module

connector: Die-cast aluminium

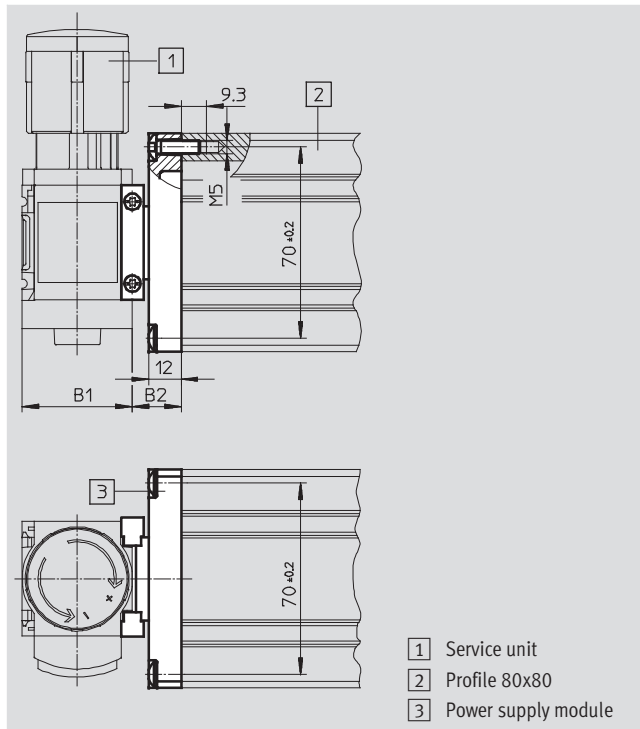
Screws: Steel

Seals: Nitrile rubber

RoHS-compliant

Temperature of medium:

-10 ... +60 °C



Dimensions and ordering data						
Size	B1	B2	CRC ¹⁾	Weight [g]	Part No.	Type
MS4	40.2	18	2	186	543495	MS4-E-IPM-80-80
MS6	62	18	2	218	543497	MS6-E-IPM-80-80

1) Corrosion resistance class 2 as per Festo standard 940 070
 Components subject to moderate corrosion stress. Externally visible parts with primarily decorative surface requirements which are in direct contact with a normal industrial environment or media such as coolants or lubricating agents.

Accessories, MS series

Mounting attachments MS4/MS6

FESTO

Branching module MS4/6-A-IPM-80

- For mounting a service unit on the long side of a profile
- Module connector can be repositioned by 90° for horizontal mounting of a service unit

Material:

Connecting plate, hollow bolt, module connector: Die-cast aluminium

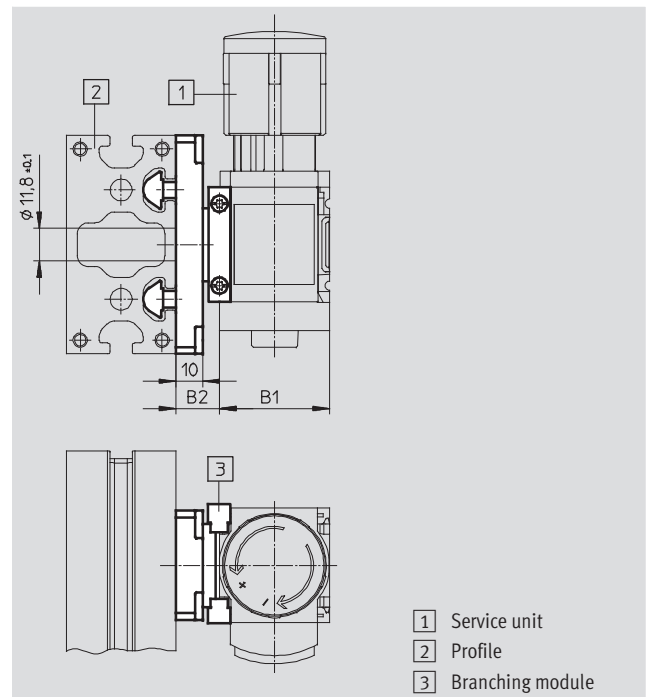
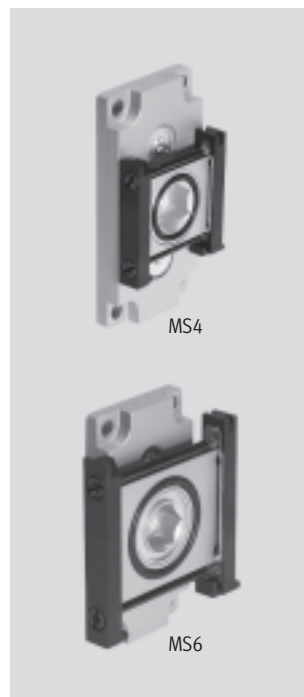
Screws: Steel

Seals: Nitrile rubber

RoHS-compliant

Temperature of medium:

-10 ... +60 °C



- 1 Service unit
- 2 Profile
- 3 Branching module

Dimensions and ordering data						
Size	B1	B2	CRC ¹⁾	Weight [g]	Part No.	Type
MS4	40.2	16	2	124	543498	MS4-A-IPM-80
MS6	62	16	2	156	543499	MS6-A-IPM-80

1) Corrosion resistance class 2 as per Festo standard 940 070
Components subject to moderate corrosion stress. Externally visible parts with primarily decorative surface requirements which are in direct contact with a normal industrial environment or media such as coolants or lubricating agents.

Accessories, MS series

Mounting attachments MS4/MS6

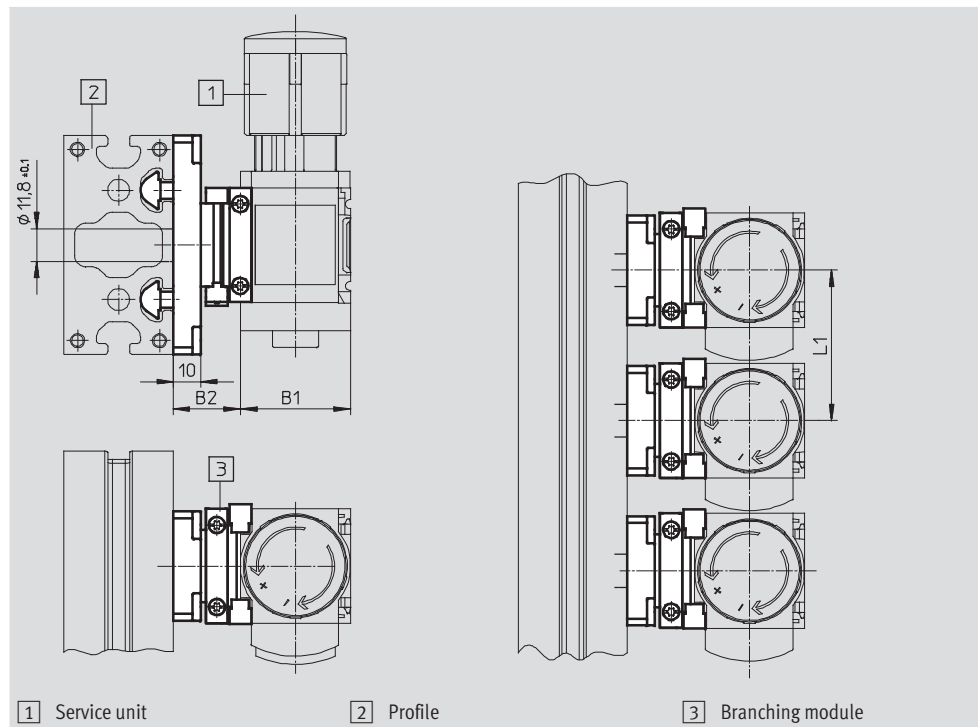
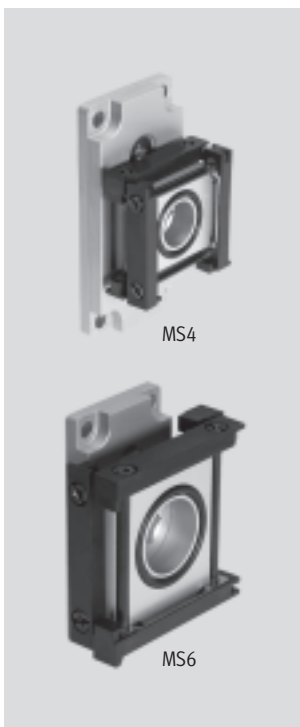
Branching module

MS4/6-A-RMV-IPM-80

- For mounting a service unit on the long side of a profile
- Suitable for manifold mounting (the fittings on the module connector can be accessed from above for fast replacement of an individual component)
- Module connector can be repositioned by 90° for horizontal mounting of a service unit

Material:
 Connecting plate, hollow bolt,
 module connector:
 Die-cast aluminium
 Screws: Steel
 Seals: Nitrile rubber
 RoHS-compliant

Temperature of medium:
 -10 ... +60 °C



Dimensions and ordering data							
Size	B1	B2	L1	CRC ¹⁾	Weight [g]	Part No.	Type
MS4	40.2	24.5	55	2	150	543500	MS4-A-RMV-IPM-80
MS6	62	27	77	2	236	543501	MS6-A-RMV-IPM-80

1) Corrosion resistance class 2 as per Festo standard 940 070
 Components subject to moderate corrosion stress. Externally visible parts with primarily decorative surface requirements which are in direct contact with a normal industrial environment or media such as coolants or lubricating agents.

Accessories, MS series

Mounting attachments MS4/MS6

Sealing ring MS4/6-NNR

- For sealing a branching module
MS-A-IPM when used as a power supply module

Material:
Nitrile rubber
RoHS-compliant

Temperature of medium:
-10 ... +60 °C



Dimensions and ordering data			
Size	CRC ¹⁾	Part No.	Type
MS4	2	543492	MS4-NNR
MS6	2	543493	MS6-NNR

1) Corrosion resistance class 2 as per Festo standard 940 070
Components subject to moderate corrosion stress. Externally visible parts with primarily decorative surface requirements which are in direct contact with a normal industrial environment or media such as coolants or lubricating agents.

Accessories, MS series

Connecting plates MS4/MS6

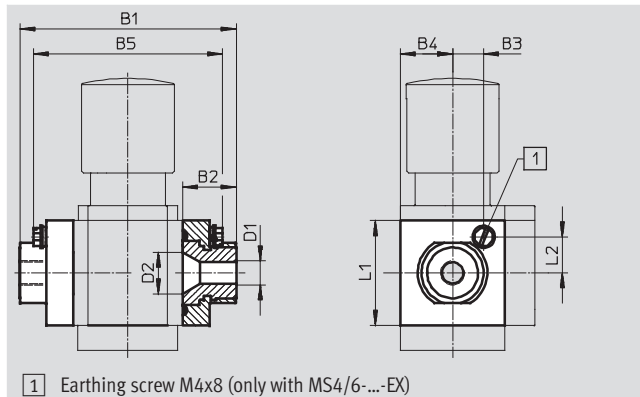
Connecting plate MS4/6-AG...

(order code: AG...)

- Adapter for pneumatic connection
- MS6-AGE for implementing threaded connection G $\frac{3}{4}$

Material:
Aluminium

Note on materials:
RoHS-compliant (MS6-AG... only)
Free of copper and PTFE



Dimensions and ordering data													
Size	B1	B2	B3	B4	B5	D1	D2	L1	L2	CRC ¹⁾	Weight [g]	Part No.	Type
MS4	83.5	21.5	-	21	-	G $\frac{1}{8}$	16.8	42	-	2	128	526068	MS4-AGA
						G $\frac{1}{4}$				2	128	526069	MS4-AGB
						G $\frac{3}{8}$				2	128	526070	MS4-AGC
MS6	115	26.5	-	31	-	G $\frac{1}{4}$	24	62	-	2	300	526080	MS6-AGB
						G $\frac{3}{8}$				2	300	526081	MS6-AGC
						G $\frac{1}{2}$				2	300	526082	MS6-AGD
						G $\frac{3}{4}$				2	300	526083	MS6-AGE
For use in explosive areas in zones 2 and 22													
MS4	83.5	21.5	12.5	21	72.5	G $\frac{1}{8}$	16.8	42	14.5	2	128	541549	MS4-AGA-EX
						G $\frac{1}{4}$				2	128	541550	MS4-AGB-EX
						G $\frac{3}{8}$				2	128	541551	MS4-AGC-EX
MS6	115	26.5	20.5	31	98.3	G $\frac{1}{4}$	24	62	15.5	2	300	541538	MS6-AGB-EX
						G $\frac{3}{8}$				2	300	541539	MS6-AGC-EX
						G $\frac{1}{2}$				2	300	541540	MS6-AGD-EX
						G $\frac{3}{4}$				2	300	541541	MS6-AGE-EX

1) Corrosion resistance class 2 as per Festo standard 940 070
Components subject to moderate corrosion stress. Externally visible parts with primarily decorative surface requirements which are in direct contact with a normal industrial environment or media such as coolants or lubricating agents.
- | - Note: This product conforms to ISO 1179-1 and to ISO 228-1

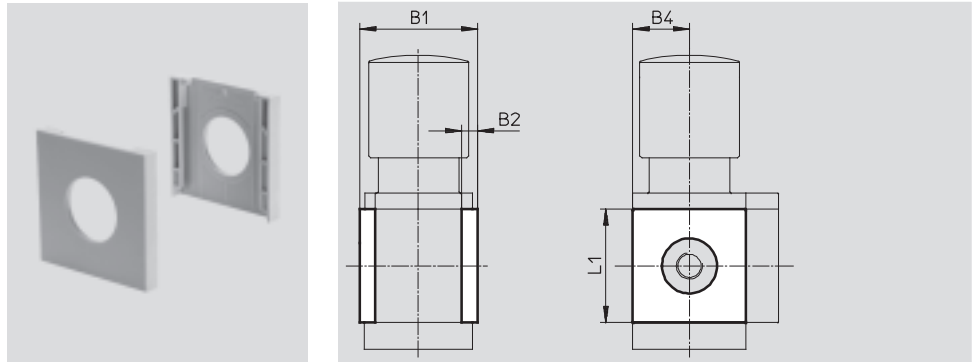
Accessories, MS series

Connecting plates MS4/MS6

Cover plate MS4/6-END

- Can be used to cover the body sides of the first and last module if connecting plates are not used

Material:
Reinforced polyamide
Free of copper and PTFE



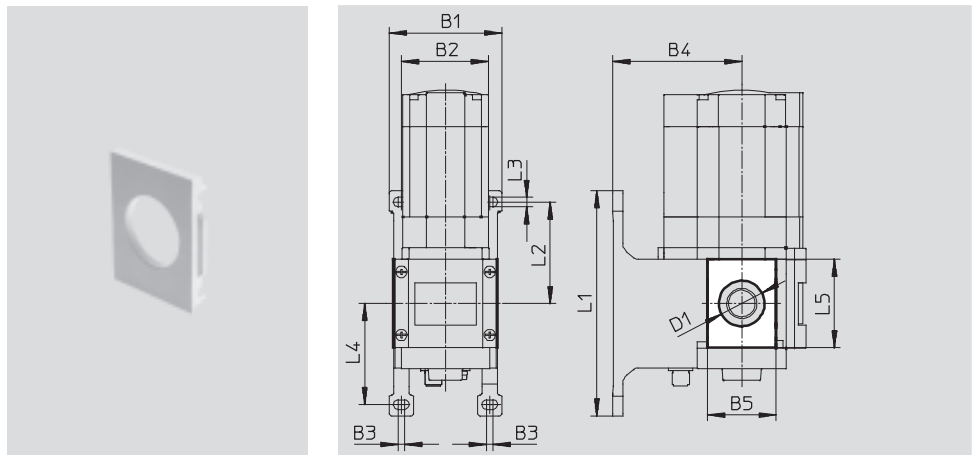
Dimensions and ordering data						
Size	B1	B2	B4	L1	Part No.	Type
MS4	43.6	6	21	42	538779	MS4-END
MS6	67	8	31	62	538780	MS6-END

Mounting plate MS4/6-AEND

(order code: WBE; scope of delivery includes wall mounting plate MS6-WPB)

- In combination with mounting bracket MS-WP or MS-WPB for individual wall mounting via direct thread

Material:
Reinforced polyamide
RoHS-compliant
Free of copper and PTFE



Dimensions and ordering data																
Size	B1	B2	B3	B4		B5	D1 ∅	L1	L2	L3	L4	L5	CRC ¹⁾	Weight [g]	Part No.	Type
				WP	WPB											
MS4	55.2	40.2	4	44	66	30.4	20.3	106	46.5	5.6	46.7	42	2	4	542966	MS4-AEND
MS6	79	62	4.5	54	90.5	48.4	32	158	71	6.6	71	62	2	17	535408	MS6-AEND

1) Corrosion resistance class 2 as per Festo standard 940 070
Components subject to moderate corrosion stress. Externally visible parts with primarily decorative surface requirements which are in direct contact with a normal industrial environment or media such as coolants or lubricating agents.

Accessories, MS series

Connecting plates MS9

Connecting plate MS9-AG...

(order code: AG...)

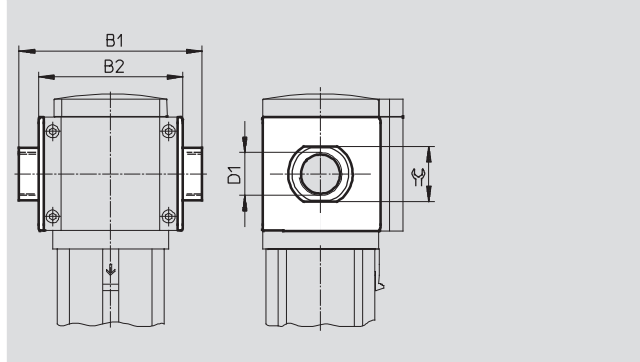
- Adapter for pneumatic connection

Material:

Connecting plate, hollow bolt:
Die-cast aluminium
Seals: Nitrile rubber
RoHS-compliant
Free of copper and PTFE

Temperature of medium:

-10 ... +60 °C



Dimensions and ordering data								
Size	B1	B2	D1	$\approx C$	KBK1)	Weight [g]	Part No.	Type
MS9	132	112	G1/2	30	2	300	552954	MS9-AGD
	132	112	G3/4	36	2	300	552955	MS9-AGE
	142	112	G1	41	2	300	552956	MS9-AGF
	162	112	G1 1/4	50	2	400	552957	MS9-AGG
	176	112	G1 1/2	55	2	400	552958	MS9-AGH

1) Corrosion resistance class 2 as per Festo standard 940 070

Components subject to moderate corrosion stress. Externally visible parts with primarily decorative surface requirements which are in direct contact with a normal industrial environment or media such as coolants or lubricating agents.

-||- Note: This product conforms to ISO 1179-1 and to ISO 228-1

Accessories, MS series

Connecting plates MS12

Connecting plate MS12-AG...

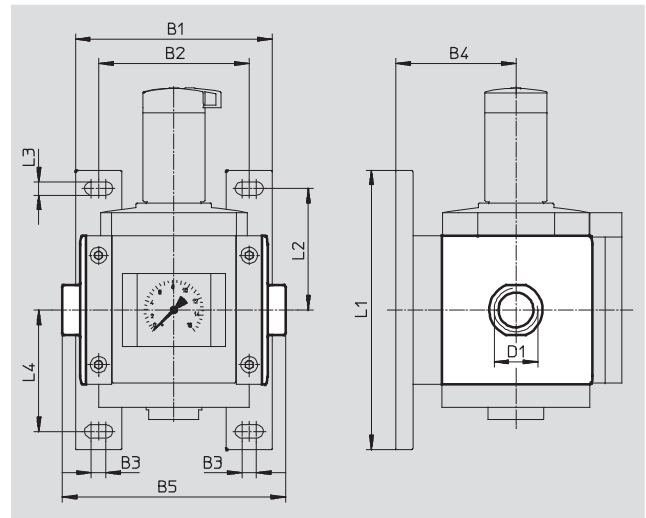
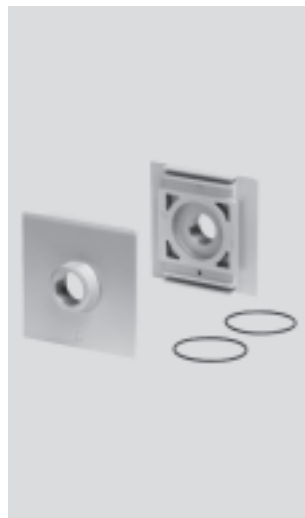
(order code: AG...)

- Adapter for pneumatic connection

Material:

Die-cast aluminium

Free of copper and PTFE



Dimensions and ordering data													
Size	B1	B2	B3	B4	B5	D1	L1	L2	L3	L4	Weight [g]	Part No.	Type
MS12	162	124	12	99	184	G1	230	100	11	100	1,300	537135	MS12-AGF
					184	G1¼						537136	MS12-AGG
					184	G1½						537137	MS12-AGH
					196	G2						537138	MS12-AGI

• - Note: This product conforms to ISO 1179-1 and to ISO 228-1

Accessories, MS series

Security components MS4/MS6/MS9/MS12

FESTO

Padlock LRVS-D

Material:

Housing: Brass

Ambient temperature:

-20 ... +60 °C



Ordering data			
Size	Weight [g]	Part No.	Type
MS4/MS6/ MS9/MS12	120	193786	LRVS-D