

# Plug connectors NECV for valves, for self-assembly

Technical data

**Plug socket MPPE**

- For proportional pressure regulators MPPE and MPPES

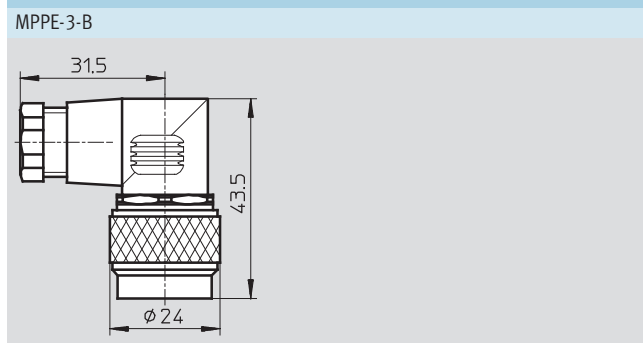


General technical data	
Electrical connection	Angled socket
	8-pin
	Solderable
Operating voltage range [V DC]	Max. 60
Acceptable current load [A]	5
Cable connector	Pg9
Permissible cable diameter [mm]	6 ... 8
Connection cross section [mm <sup>2</sup> ]	Max. 0.75
Connection frequency	500
Type of mounting	M16x0.75 union nut
Mounting position	Any
Protection class to EN 60529	IP67 (assembled)

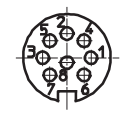
Materials	
Housing	PA
Housing colour	Black
Union nut	PA
Pin contacts	Tin-plated copper

Operating and environmental conditions	
Ambient temperature [°C]	-30 ... +95

**Dimensions** Download CAD data → [www.festo.com](http://www.festo.com)



Pin allocation



Ordering data			
Description	Weight	Part No.	Type
Plug socket for proportional pressure regulators MPPE and MPPES	65 g	161839	MPPE-3-B