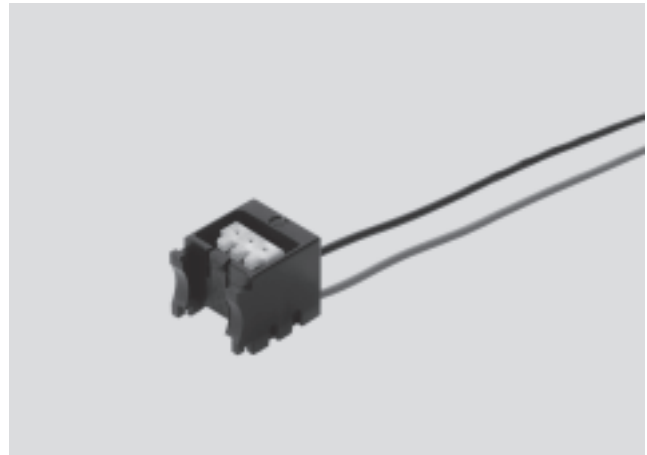


# Electrical connection technology, for individual connection

Technical data – MHAP-PI

- Plug base with cable for connecting individual valves (type CPA-SC1, plug-in)
- Pre-assembled
- Cable lengths 0.5 m or 1 m
- 3-pin plug socket
- Not suitable for chain link trunking



| General technical data        |                   |
|-------------------------------|-------------------|
| Type                          | MHAP-PI-...       |
| Electrical connection         | 3-pin plug socket |
| Type of mounting              | Clip              |
| Mounting position             | Any               |
| Operating voltage [V]         | 60 DC             |
| Current-carrying capacity [A] | 3                 |
| Cable diameter [mm]           | 1                 |
| Protection class to EN 60 529 | IP40              |
| Material of housing           | Polyamide         |
| Material of contacts          | Tin-plated copper |
| Ambient temperature [°C]      | -20 ... +80       |
| Storage temperature [°C]      | -20 ... +50       |

| Ordering data |  |                    |                       |               |          |
|---------------|--|--------------------|-----------------------|---------------|----------|
|               | Constructional design [mm <sup>2</sup> ] | Product weight [g] | Cable length (L1) [m] | Type          | Part No. |
|               | 3x0.14                                   | 5                  | 0.5                   | MHAP-PI-D-0,5 | 529 116  |
|               | 3x0.14                                   | 8                  | 1                     | MHAP-PI-D-1   | 527 395  |
|               | 2x0.14                                   | 4                  | 0.5                   | MHAP-PI       | 197 260  |
|               | 2x0.14                                   | 6                  | 1                     | MHAP-PI-1     | 532 182  |

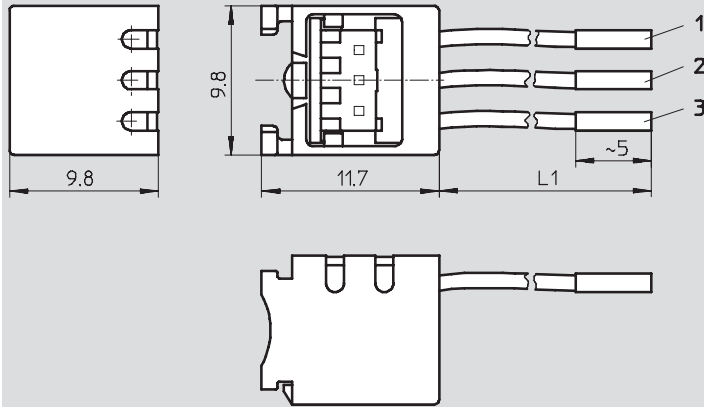
# Electrical connection technology, for individual connection

Technical data – MHAP-PI

## Dimensions

Download CAD data → [www.festo.com](http://www.festo.com)

Type MHAP-PI-...



- 1 Pin 1, core colour black
- 2 Pin 2, core colour blue
- 3 Pin 3, core colour red
- L1 Length according to type (0.5 m or 1 m)