

Connecting cables NEBV, for valves

Technical data

Plug socket with cable KMYZ-7

- Plug socket with cable for connecting individual valves CPV/CPA10/14
- Pre-assembled
- Cable lengths 2.5 m, 5 m and 10 m
- With LEDs and protective circuit
- With integrated holding current reduction



General technical data	
Electrical connection	Angled socket, 2-pin, square design Open cable end, 2-wire
Switching position display	LED
Nominal operating voltage [V DC]	24
Cable composition [mm ²]	2x0.25
Cable diameter [mm]	3.4
Protective earth connection	No
Type of mounting	On solenoid valve via M2 central screw
Tightening torque [Nm]	0.25
Mounting position	Any
Protection class to EN 60529	IP65 (assembled)

Materials	
Housing	Polyamide
Pin contact	Bronze
Cable sheath	Polyurethane
Note on materials	RoHS-compliant

Operating and environmental conditions	
Ambient temperature [°C]	-10 ... +50
CE marking (see declaration of conformity)	To EU EMC Directive ¹⁾

1) For information about the applicability of the component see the manufacturer's EC declaration of conformity at: www.festo.com → Support → User documentation.
If the component is subject to restrictions on usage in residential, office or commercial environments or small businesses, further measures to reduce the emitted interference may be necessary.

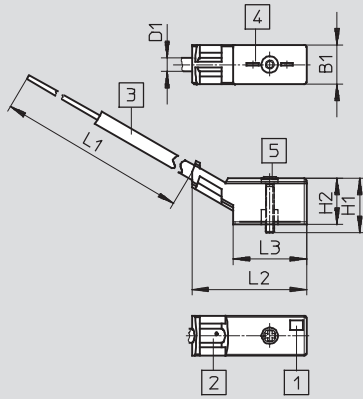
Connecting cables NEBV, for valves

Technical data

FESTO

Dimensions

Download CAD data → www.festo.com



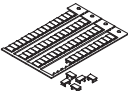
- 1 LED illuminated area
- 2 Inscription area
- 3 2-wire cable 2.5 m, 5 m or 10 m (2x0.25 mm²)
- 4 Connection pattern for MZC solenoid coil
- 5 Mounting screw

Type	B1	D1 -Ø-	H1	H2	L1	L2	L3
KMYZ-7-24-2,5-LED-PUR	9.7	3.4	13.25	11.25	2,500	28.1	18
KMYZ-7-24-5-LED-PUR	9.7	3.4	13.25	11.25	5,000	28.1	18
KMYZ-7-24-10-LED-PUR	9.7	3.4	13.25	11.25	10,000	28.1	18

Ordering data

Electrical connection	Switching position display	Weight	Cable length	Part No.	Type
Angled socket, square design, 2-pin	LED	50 g	2.5 m	193683	KMYZ-7-24-2,5-LED-PUR
Open cable end, 2-wire	LED	90 g	5 m	193685	KMYZ-7-24-5-LED-PUR
	LED	170 g	10 m	196070	KMYZ-7-24-10-LED-PUR

Ordering data – Accessories

Description	Part No.	Type
 Inscription labels 6x10 mm, 64 pieces, in frames	18576	IBS-6x10