

# Connecting cables NEBV, for valves

Technical data

## Plug socket with cable KME

- Plug socket with cable for valves with E solenoid coils
- Pre-assembled
- Cable lengths 2.5 to 10 m



| General technical data               |  |
|--------------------------------------|--|
| Electrical connection                | Angled socket, 3-pin, type C, to DIN EN 175301-803 |
| Switching position display           | LED  |
| Nominal operating voltage [V DC]     | 24   |
| Cable composition [mm <sup>2</sup> ] | 2x0.75   |
| Cable diameter [mm]                  | 5.2  |
| Protective earth connection          | No   |
| Type of mounting                     | On solenoid valve via M3 central screw             |
| Mounting position                    | Any  |
| Protection class to EN 60529         | IP67 (assembled)                                   |

| Materials    |        |
|--------------|--------|
| Housing      | PA     |
| Pin contact  | Bronze |
| Cable sheath | PVC    |

| Operating and environmental conditions |             |
|--|-------------|
| Ambient temperature [°C]               | -20 ... +80 |

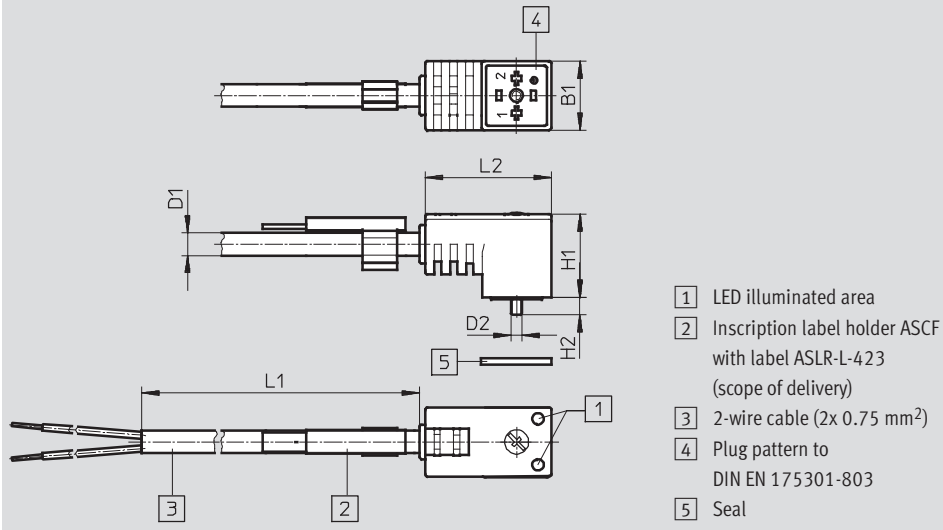
# Connecting cables NEBV, for valves

Technical data

FESTO

## Dimensions

Download CAD data → [www.festo.com](http://www.festo.com)



| Type               | B1 | D1  | D2 | H1   | H2 | L1     | L2   |
|--------------------|----|-----|----|------|----|--------|------|
| KME-1-24DC-2,5-LED | 16 | 5.2 | 3  | 19.3 | 4  | 2,500  | 29.1 |
| KME-1-24DC-5-LED   |    |     |    |      |    | 5,000  |      |
| KME-1-24-10-LED    |    |     |    |      |    | 10,000 |      |

| Ordering data                                      |                    |            |          |                    |  |
|--|--------------------|------------|----------|--------------------|--|
| Electrical connection                              | Product weight [g] | Length [m] | Part No. | Type               |  |
| Angled socket, 3-pin, type C, to DIN EN 175301-803 | 135                | 2.5        | 30943    | KME-1-24DC-2,5-LED |  |
|  | 280                | 5          | 30945    | KME-1-24DC-5-LED   |  |
|  | 570                | 10         | 193455   | KME-1-24-10-LED    |  |