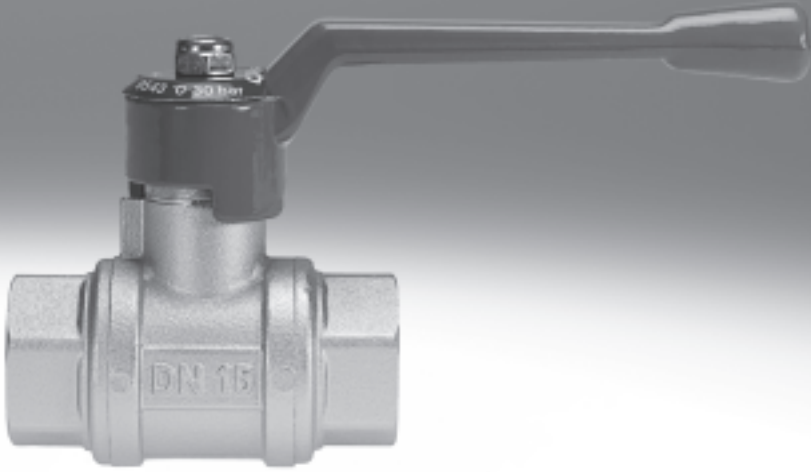


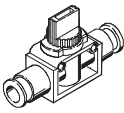
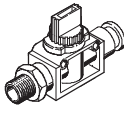
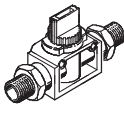

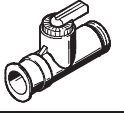
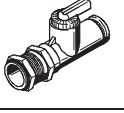
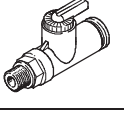
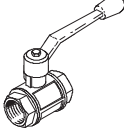
Ball valves and shut-off valves



Ball valves and shut-off valves

Product range overview

FESTO

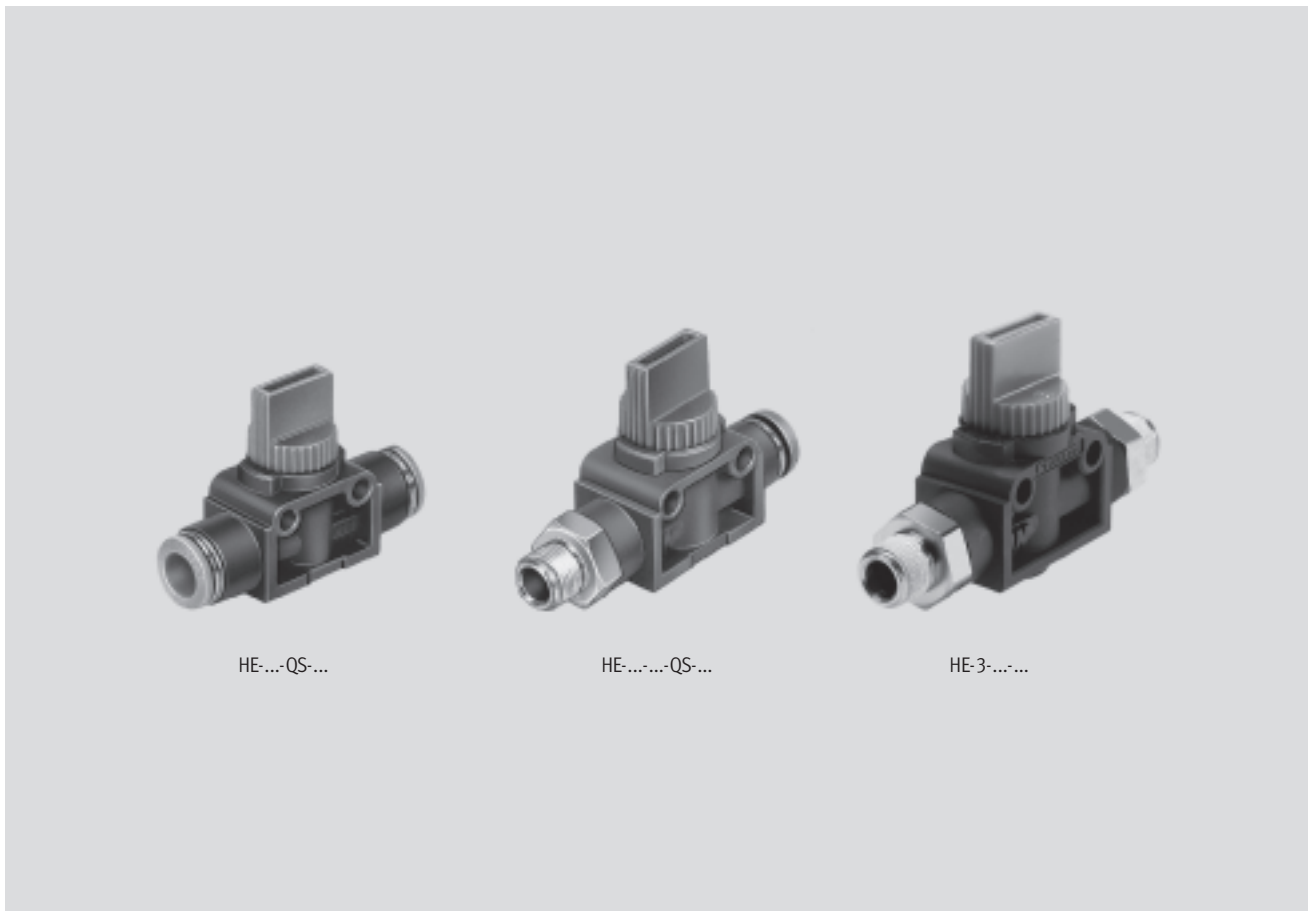
Function	Version	Type	Pneumatic connection		2/2-way valves	3/2-way valves	→ Page/Internet	
			Thread	For tubing O.D. [mm]				
Shut-off valves	With QS push-in connector ¹⁾ at both ends							
		HE	-	6	6	■	■	5
				8	8	■	■	
				10	10	■	■	
				12	12	■	■	
	With PTFE-coated connecting thread and QS push-in connector ¹⁾							
		HE	R1/8	6	6	■	■	6
				R1/4	8	■	■	
				R3/8	10	■	■	
				R1/2	12	■	■	
With PTFE-coated connecting thread at both ends								
	HE	R1/8	-	-	-	■	6	
			R1/4	-	-	■		
			R3/8	-	-	■		
Hand slide valves	With connecting thread at both ends							
		W	M5	-	-	-	■	8
			G1/8	-	-	-	■	
			G1/4	-	-	-	■	
			G3/8	-	-	-	■	
			G1/2	-	-	-	■	
			G3/4	-	-	-	■	
Ball valves QH/QHS, manually actuated	With QS push-in connector ¹⁾ at both ends							
		QH	-	4	4	■	-	12
				6	6	■	-	
	With QS push-in connector ¹⁾ at both ends, with bulkhead connector at one end							
		QHS	-	6	6	■	-	12
				6	6	■	-	
	With PTFE-coated connecting thread and QS push-in connector ¹⁾							
		QH	R1/8	4	4	■	-	12
				6	6	■	-	
	With connecting thread at both ends							
	QH	G1/4	-	-	■	-	14	
		G3/8	-	-	■	-		
		G1/2	-	-	■	-		
		G3/4	-	-	■	-		
		G1	-	-	■	-		
G1 1/2	-	-	■	-				


1) For plastic tubing with standard O.D.

Shut-off valves HE

Features

FESTO



-  - Flow rate
300 ... 800 l/min

- Connection R $\frac{1}{8}$... R $\frac{1}{2}$
- With QS push-in connector for standard O.D. tubing at both ends
- With connecting thread and push-in connector
- With connecting thread at both ends
- Designs with connecting thread can be turned 360°

Air flow is fully blocked in both directions with this valve.

Shut-off valves HE

Type codes

HE - 3 - - QS-6

Type	
HE	Shut-off valve

Function	
2	2/2-way
3	3/2-way

Screw-in and connecting thread	
Connecting thread at one end	
1/8	Pipe thread R1/8
1/4	Pipe thread R1/4
3/8	Pipe thread R3/8
1/2	Pipe thread R1/2
Connecting thread at both ends	
1/8-1/8	Pipe thread R1/8
1/4-1/4	Pipe thread R1/4
3/8-3/8	Pipe thread R3/8

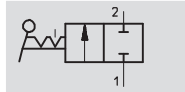
Tubing connection	
Type of connection	
QS	Push-in connector for standard O.D. tubing
For tubing O.D.∅	
6	6 mm
8	8 mm
10	10 mm
12	12 mm

Shut-off valves HE

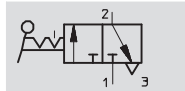
Technical data

FESTO


Function

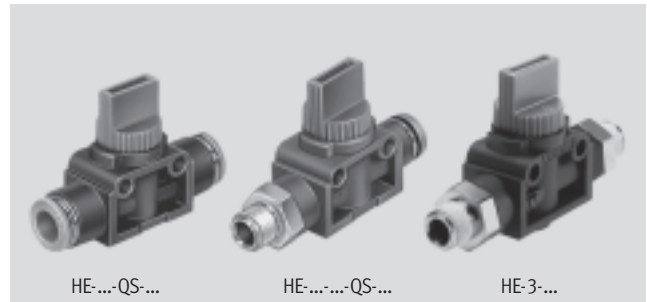


2/2-way



3/2-way

-  - Flow rate
280 ... 840 l/min

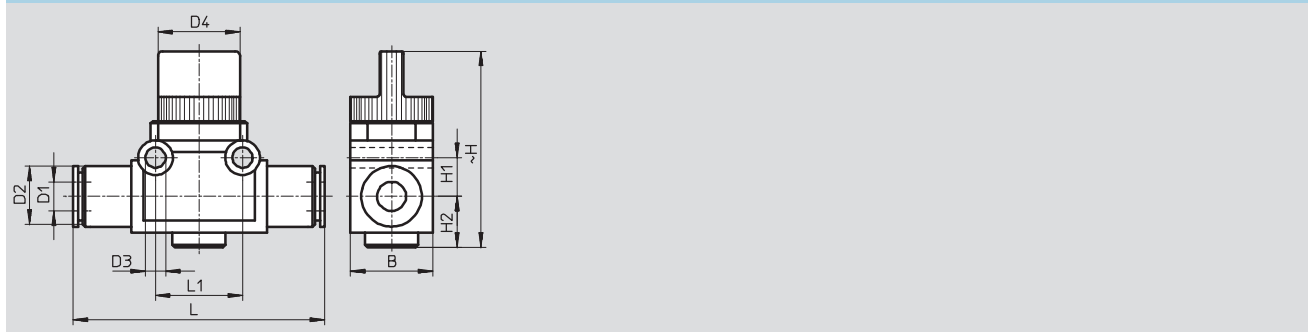


General technical data					
Push-in connector for tubing O.D.	[mm]	6	8	10	12
Type of mounting		2 through-holes in housing In-line installation			
Nominal size	[mm]	5	5	7	7

Operating and environmental conditions		
Operating medium		Filtered compressed air, lubricated or unlubricated
Operating pressure	[bar]	-0.75 ... +10
Temperature of medium	[°C]	0 ... 60

Technical data – QS push-in connector at both ends					
Push-in connector for tubing O.D.	[mm]	6	8	10	12
Standard nominal flow rate	HE-2 [l/min]	280	390	760	830
1x2	HE-3 [l/min]	280	390	780	840
Materials		Housing: Polybutylene terephthalate			
Note on material		Free of copper, PTFE and silicone → Ordering data			
Weight	[g]	25	27	44	50

Dimensions – QS push-in connector, both ends Download CAD data → www.festo.com



Tubing O.D. D1	B	D2 ∅	D3 ∅	D4 ∅	H	H1	H2	L	L1
6	17	12.5	4.2	16.5	40.5	8	10.5	53.2	18
8	17	15	4.2	16.5	40.5	8	10.5	56	18
10	21.7	17.5	4.2	19.5	41	11	10.5	65	24
12	21.7	21	4.2	19.5	41	11	10.5	70.2	24

Shut-off valves HE

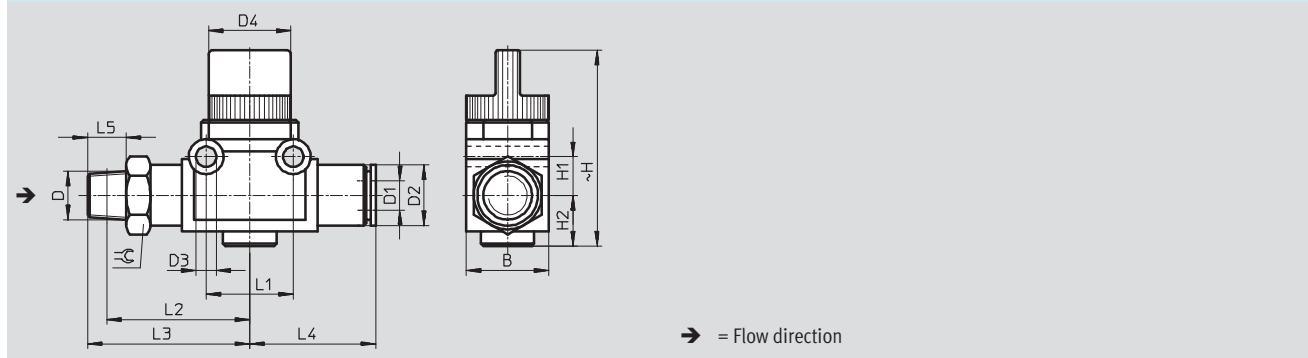
Technical data

FESTO

Technical data – Connecting thread at one or both ends						
Connecting thread			R1/8	R1/4	R3/8	R1/2
Push-in connector for tubing O.D.	[mm]		6	8	10	12
Standard nominal flow rate	HE-2	[l/min]	310	400	730	780
	HE-3	[l/min]	300	380	730	800
Permissible tightening torque	[Nm]		7 ... 9	12 ... 14	22 ... 24	28 ... 30
Materials			Housing: Polybutylene terephthalate			
			Threaded connection: Nickel-plated brass			
Weight	Connecting thread at one end	[g]	33	45	70	95
	Connecting thread at both ends	[g]	42	80	96	–

Dimensions – Connecting thread at one end Download CAD data → www.festo.com

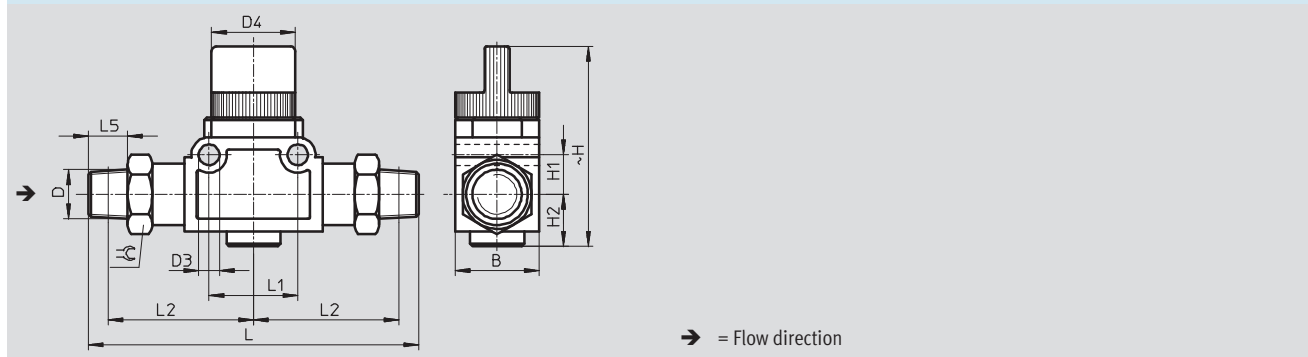
With PTFE-coated pipe thread and QS push-in connector, can be rotated 360°



Connecting thread D	B	D1 ∅	D2 ∅	D3 ∅	D4 ∅	H	H1	H2	L1	L2	L3	L4	L5	≈C
R1/8	17	6	12.5	4.2	16.5	40.5	8	10.5	18	29.5	33.5	26	8	14
R1/4	17	8	15	4.2	16.5	40.5	8	10.5	18	30.5	36.5	28	11	14
R3/8	21.7	10	17.5	4.2	19.5	41	11	10.5	24	37	43.5	32.5	12	17
R1/2	21.7	12	21	4.2	19.5	41	11	10.5	24	38.5	46.5	35.5	15	21

Dimensions – Connecting thread at both ends Download CAD data → www.festo.com

With PTFE-coated pipe thread at both ends, can be rotated 360°

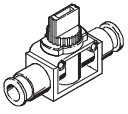
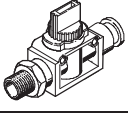



Connecting thread D	B	D3 ∅	D4 ∅	H	H1	H2	L	L1	L2	L5	≈C
R1/8	17	4.2	16.5	40.5	8	10.5	67	18	29.5	8	14
R1/4	21.7	4.2	19.5	41	11	10.5	85	24	36.5	11	17
R3/8	21.7	4.2	19.5	41	11	10.5	87	24	37	12	17

Shut-off valves HE

Technical data

FESTO

Ordering data							
	Description	Connecting thread	For tubing O.D. [mm]	2/2-way valves		3/2-way valves	
				Part No.	Type	Part No.	Type
	QS push-in connector, both ends	-	6	153 467	HE-2-QS-6	153 475	HE-3-QS-6 ¹⁾
			8	153 468	HE-2-QS-8	153 476	HE-3-QS-8 ¹⁾
			10	153 469	HE-2-QS-10	153 477	HE-3-QS-10 ¹⁾
			12	153 470	HE-2-QS-12	153 478	HE-3-QS-12 ¹⁾
	With PTFE-coated pipe thread and QS push-in connector	R1/8	6	153 471	HE-2-1/8-QS-6	153 479	HE-3-1/8-QS-6
		R1/4	8	153 472	HE-2-1/4-QS-8	153 480	HE-3-1/4-QS-8
		R3/8	10	153 473	HE-2-3/8-QS-10	153 481	HE-3-3/8-QS-10
		R1/2	12	153 474	HE-2-1/2-QS-12	153 482	HE-3-1/2-QS-12
	With PTFE-coated pipe thread at both ends	R1/8	-	-	-	153 296	HE-3-1/8-1/8
		R1/4				153 297	HE-3-1/4-1/4
		R3/8				153 298	HE-3-3/8-3/8

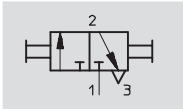
1) Free of copper, PTFE and silicone

Hand slide valves W

Technical data

FESTO

Function



3/2-way

- Shut-off valve, manually actuated
- Suitable for vacuum operation
- Metal design

Flow rate
120 ... 6,800 l/min

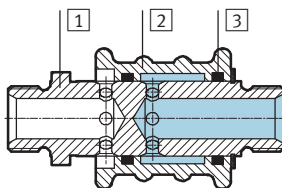


General technical data						
Type W	M5	1/8	1/4	3/8	1/2	3/4
Pneumatic connection 1	M5	G1/8	G1/4	G3/8	G1/2	G3/4
Pneumatic connection 2	M5	G1/8	G1/4	G3/8	G1/2	G3/4
Nominal size [mm]	2.5	3	7	9	12	18
Valve function	3/2-way, double solenoid					
Actuation type	Manual					
Sealing principle	Soft					
Mounting position	Any					
Type of mounting	Screw-in In-line installation					
Design	Sleeve valve					
Type of control	Direct					
Direction of flow	Reversible					
Standard nominal flow rate [l/min] 1 → 2	120	600	1,000	1,400	2,000	6,800
Actuating force [N]	10	10	20	20	20	30
Product weight [g]	25	40	110	280	300	400

Operating and environmental conditions						
Type W	M5	1/8	1/4	3/8	1/2	3/4
Operating pressure [bar]	-0.95 ... +8		-0.95 ... +10			
Operating medium	Filtered compressed air, lubricated or unlubricated, grade of filtration 40 µm Vacuum					
Ambient temperature [°C]	-10 ... +60					
Temperature of medium [°C]	-10 ... +60					

Materials

Sectional view



Hand slide valve		
1	Threaded plug	Anodised wrought aluminium alloy
2	Housing	Brass
3	Seals	Nitrile rubber

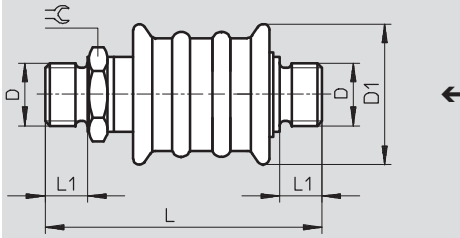
Hand slide valves W

Technical data

FESTO

Dimensions

Download CAD data → www.festo.com



← Flow direction

Pneumatic connection D	D1 Ø	L	L1	⊖
M5	20	46.4	5.0	9
G $\frac{1}{8}$	24	51.3	6.5	14
G $\frac{1}{4}$	35	70.4	8.0	17
G $\frac{3}{8}$	45	79.4	9.0	27
G $\frac{1}{2}$	45	82.4	10.5	27
G $\frac{3}{4}$	50	99.0	12.0	32

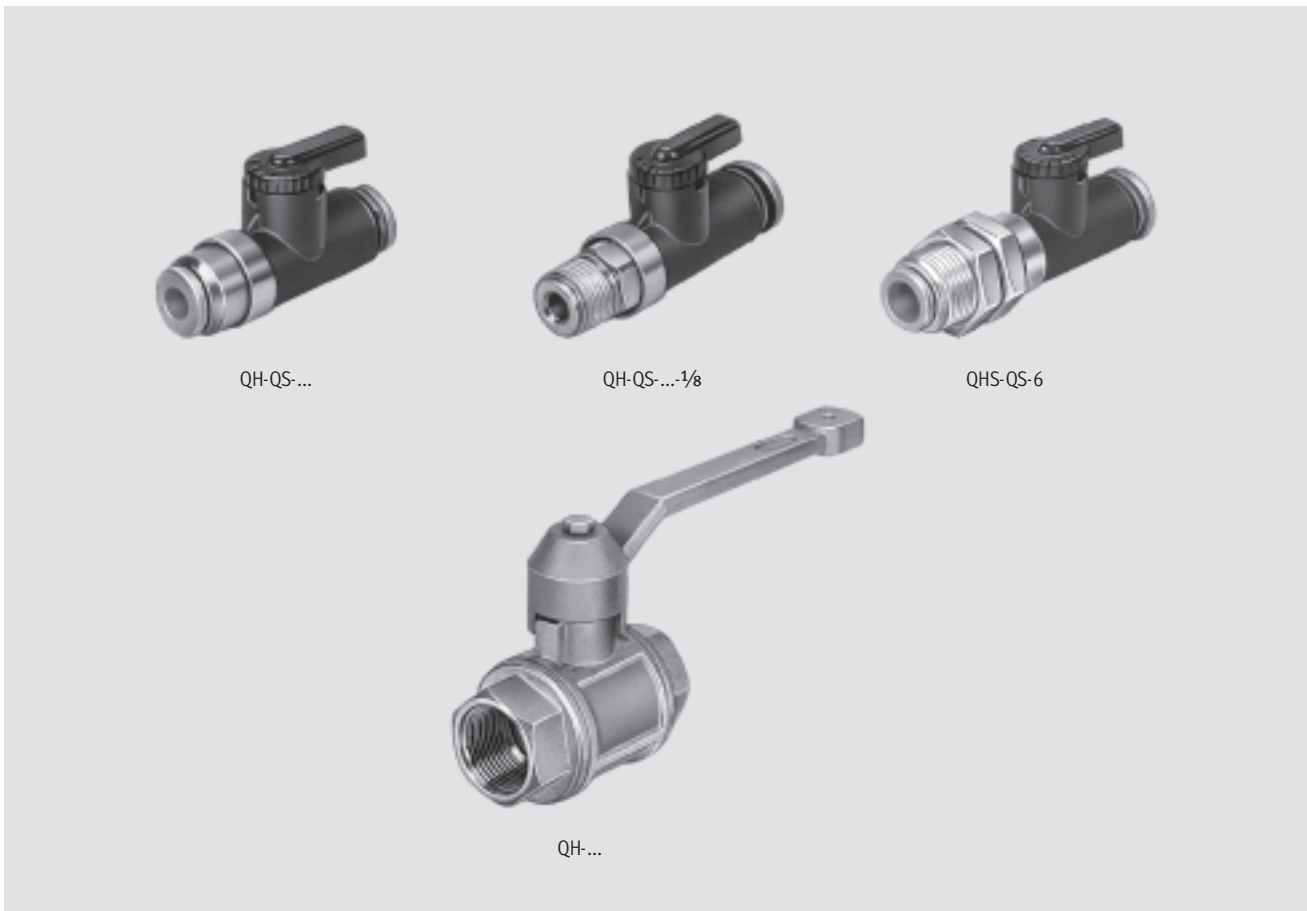
Ordering data

Version	Pneumatic connection		Part No.	Type
	1	2		
	M5	M5	4451	W-3-M5
	G $\frac{1}{8}$	G $\frac{1}{8}$	2339	W-3- $\frac{1}{8}$
	G $\frac{1}{4}$	G $\frac{1}{4}$	2340	W-3- $\frac{1}{4}$
	G $\frac{3}{8}$	G $\frac{3}{8}$	2341	W-3- $\frac{3}{8}$
	G $\frac{1}{2}$	G $\frac{1}{2}$	2342	W-3- $\frac{1}{2}$
	G $\frac{3}{4}$	G $\frac{3}{4}$	4052	W-3- $\frac{3}{4}$

Ball valves QH/QHS, manually actuated

Key features

FESTO



-  - Flow rate
148 ... 84,000 l/min

Variants:

- With 2 push-in connectors
- With connecting thread and push-in connector
- With bulkhead connector
- With external thread
R $\frac{1}{8}$, PTFE-coated
- Via female thread
G $\frac{1}{4}$... G $1\frac{1}{2}$

Air flow is fully blocked in both directions with these valves by turning the lever.

Ball valves QH/QHS, manually actuated

Type codes

QH – QS-4 – 1/8

Type	
QH	Ball valve
QHS	Ball valve with bulkhead fitting

Tubing connection	
Type of connection	
QS	Push-in connector for standard O.D. tubing
For tubing O.D.	
4	4 mm
6	6 mm

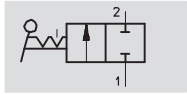
Screw-in and connecting thread	
1/8	Pipe thread R1/8
1/4	Pipe thread G1/4
3/8	Pipe thread G3/8
1/2	Pipe thread G1/2
3/4	Pipe thread G3/4
1	Pipe thread G1
1 1/2	Pipe thread G1 1/2

Ball valves QH/QHS, manually actuated

Technical data – with QS plug-in connector



Function



2/2-way

- Suitable for a vacuum

Flow rate
148 ... 560 l/min

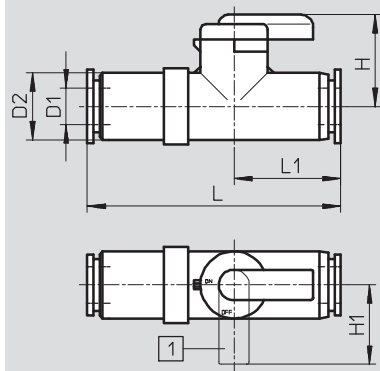


Technical data						
Pneumatic connection	Thread	–	–	R1/8	R1/8	–
	Tubing O.D. [mm]	4	6	4	6	6
Design	Ball valve					
Valve function	2/2-way, bi-stable					
Sealing principle	Soft					
Type of mounting	In-line installation		Can be screwed in		Bulkhead fitting	
Actuation type	Manual					
Nominal size [mm]	2.5	4	2.5	2.5	4	
Standard nominal flow rate [l/min]	148	533	235	560	528	
Permissible tightening torque [Nm]	–	–	7 ... 9		–	
Materials	Housing: Polybutylene terephthalate					
	Threaded connection: Nickel-plated brass					
Weight [g]	12	13	14	15	17	

Operating and environmental conditions		
Operating pressure [bar]	–1 ... +10	
Operating medium	Filtered compressed air, lubricated or unlubricated	
Ambient temperature [°C]	0 ... +60	

Dimensions Download CAD data → www.festo.com

QS push-in connector, both ends



1 Closed

Tubing O.D. D1	D2 ∅	H	H1	L	L1
4	11	15	13	38	17
6	11	15	13	41.5	17.5

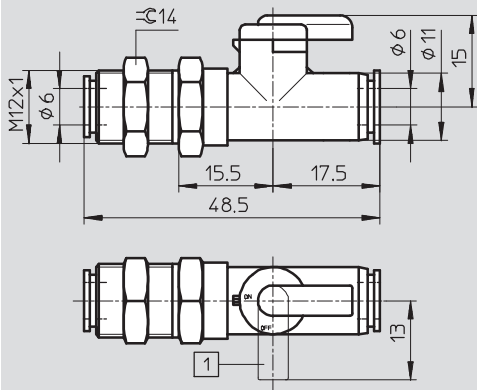
Ball valves QH/QHS, manually actuated

Technical data – with QS plug-in connector

Dimensions

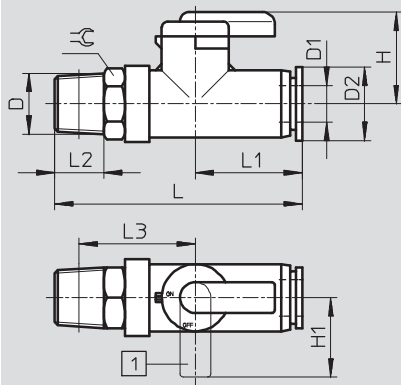
Download CAD data → www.festo.com

QS push-in connector at both ends, bulkhead connector at one end



1 Closed

With PTFE-coated connecting thread and QS push-in connector



1 Closed

Tubing O.D. D1	D ∅	D2 ∅	H	H1	L	L1	L2	L3	⊕
4	R1/8	11	15	13	41.5	17	8	20	10
6	R1/8	11	15	13	42	17.5	8	20	10

Ordering data

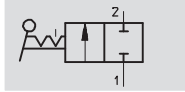
	Description	Connecting thread	For tubing O.D. [mm]	Part No.	Type
	QS push-in connector, both ends	-	4	153 483	QH-QS-4
			6	153 484	QH-QS-6
	QS push-in connector, both ends, bulkhead connector at one end	-	6	153 485	QHS-QS-6
	With PTFE-coated connecting thread and QS push-in connector	R1/8	4	153 486	QH-QS-4-1/8
			6	153 487	QH-QS-6-1/8

Ball valves QH/QHS, manually actuated

Technical data – with female thread

FESTO

Function



2/2-way

- Nominal size 10 ... 40 mm
- Female thread G $\frac{1}{4}$...G1 $\frac{1}{2}$
- Suitable for a vacuum

Flow rate
3,400 ... 84,000 l/min



Technical data							
Pneumatic connection		G $\frac{1}{4}$	G $\frac{3}{8}$	G $\frac{1}{2}$	G $\frac{3}{4}$	G1	G1 $\frac{1}{2}$
Design	Ball valve						
Valve function	2/2-way, bi-stable						
Sealing principle	Soft						
Type of mounting	In-line installation						
Actuation type	Manual						
Nominal size	[mm]	10	12	15	20	25	40
Standard nominal flow rate	[l/min]	3,400	7,500	11,500	21,000	33,000	84,000
Actuation torque	[Nm]	4	4	8	12	15	25
Weight	[g]	175	180	340	600	815	1,750

Note: This product conforms to ISO 1179-1 and to ISO 228-1

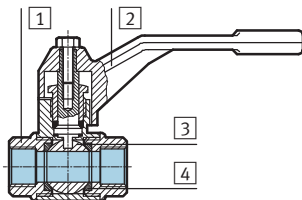
Operating and environmental conditions		
Operating pressure	[bar]	-0.95 ... +30
Operating medium	Filtered compressed air, lubricated or unlubricated, water, vacuum ¹⁾	
Ambient temperature	[°C]	-20 ... +180

1) Other media upon request

Note
Not permitted for poisonous gas
such as natural gas.

Materials

Sectional view



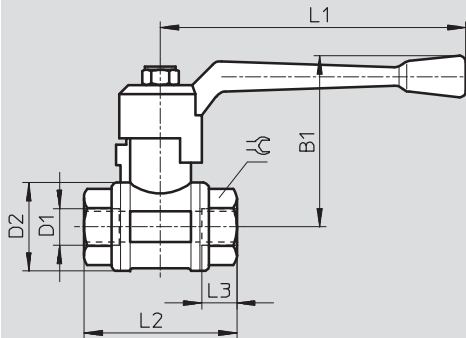
Ball valve		
1	Housing	Brass
2	Lever	Painted aluminium
3	Ball	Hard chrome plated
4	Seals	Polytetrafluoroethylene

Ball valves QH/QHS, manually actuated

Technical data – with female thread

Dimensions

Download CAD data → www.festo.com



Connecting thread D1	B1	D2 ∅	L1	L2	L3	⊕
G1/4	56	30	100	52	11.5	21.5
G3/8	56	30	100	52	11.5	21.5
G1/2	59	35	100	64	15	27
G3/4	72	44	120	74	16.3	32
G1	77	51	120	88	19.1	41
G1 1/2	100	73	150	105.5	21.4	55

Ordering data

	Description	Connecting thread	For tubing O.D. [mm]	Part No.	Type
	With connecting thread at both ends	G1/4	–	9 541	QH-1/4
		G3/8	–	9 542	QH-3/8
		G1/2	–	9 543	QH-1/2
		G3/4	–	9 544	QH-3/4
		G1	–	9 545	QH-1
		G1 1/2	–	6 837	QH-1 1/2

– † – Note: This product conforms to ISO 1179-1 and to ISO 228-1

– † – Note

Not permitted for poisonous gas such as natural gas.