



- Compact
- Functional
- Wide range of variants
- Flexible

# Drive/drive connectors

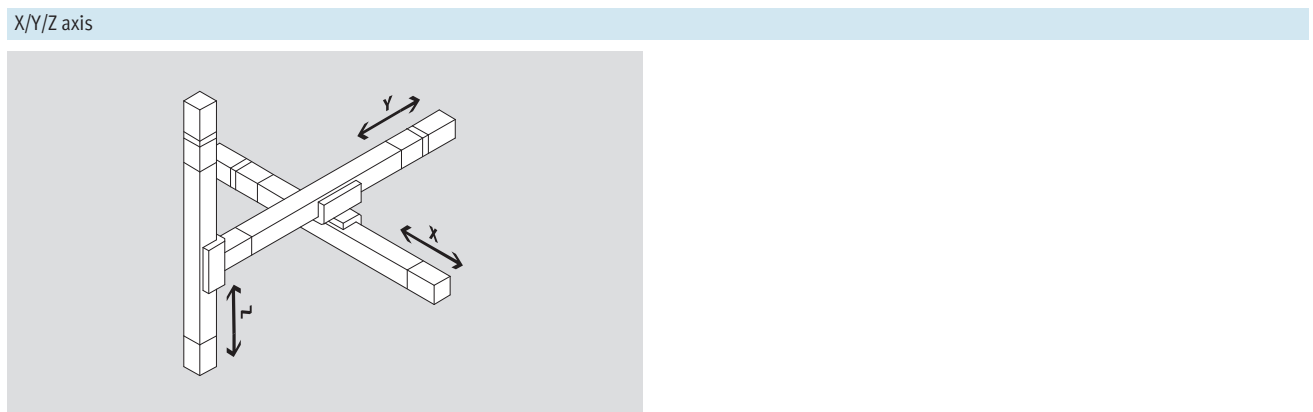
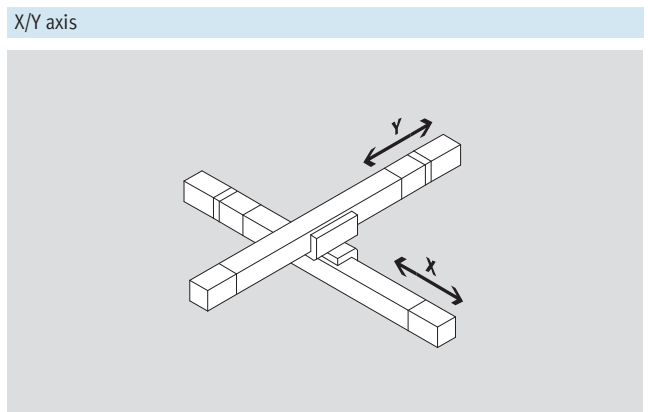
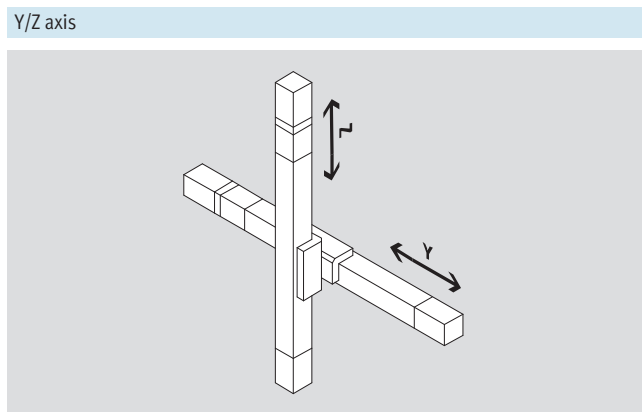
Key features

At a glance			
Compact	Functional	Flexible	Individual
<ul style="list-style-type: none"> <li>• Drive combinations with harmonised kits</li> <li>• Sturdy kits for accurate and reliable drive combinations</li> </ul>	<ul style="list-style-type: none"> <li>• With the numerous adapter kit variants on offer a wealth of combination options is available</li> <li>• With linear movements in every direction, supplemented by rotary movements, any desired application can be achieved</li> </ul>	<ul style="list-style-type: none"> <li>• Combination of different Festo drives into one complete system</li> <li>• All the parts required for a particular connection are included in the scope of delivery</li> </ul>	<ul style="list-style-type: none"> <li>• Application-oriented combinations can be selected:               <ul style="list-style-type: none"> <li>– Direct mounting</li> <li>– Dovetail mounting</li> </ul> </li> </ul>

## The system

### Definition of axes

To configure the drive, the movement planes are defined in y and z axes. Depending on the combination and mounting position, the movement plane and thus the axis designation (y or x) may change.



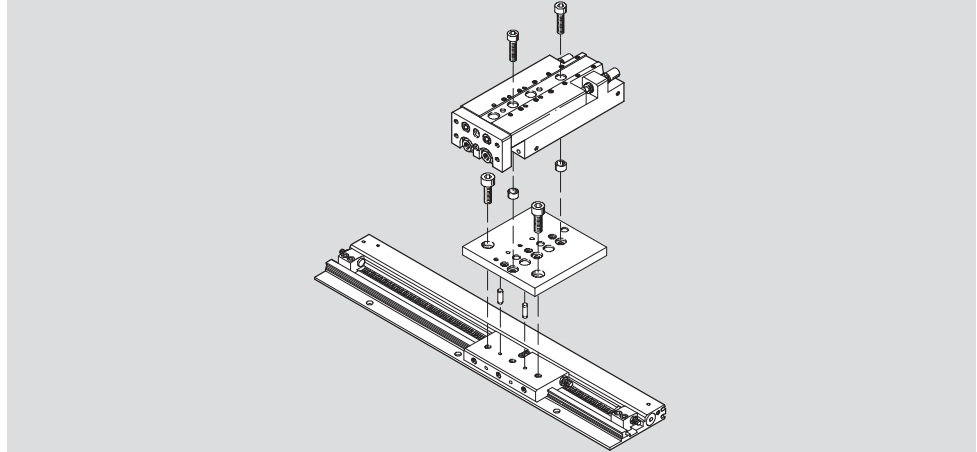
# Drive/drive connectors

Key features

## Types of connection

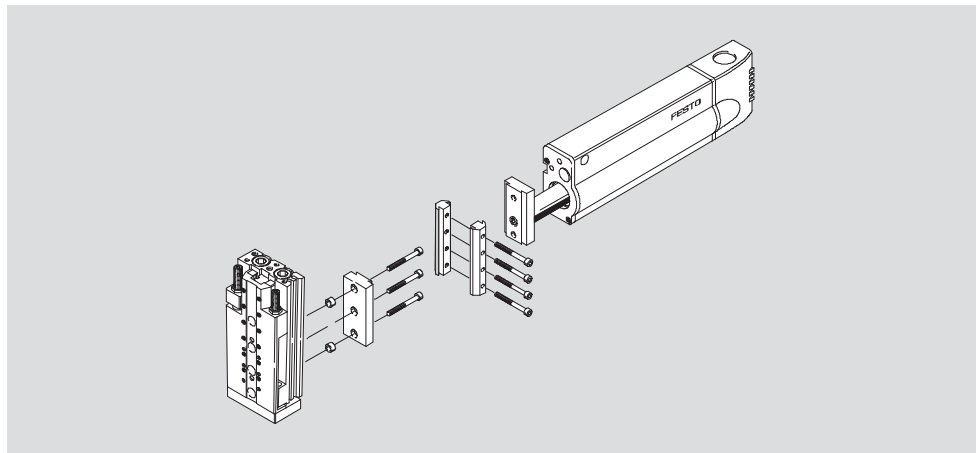
### Direct mounting

Two drives are connected directly using screws and centring sleeves or via an adapter plate using screws and centring sleeves.



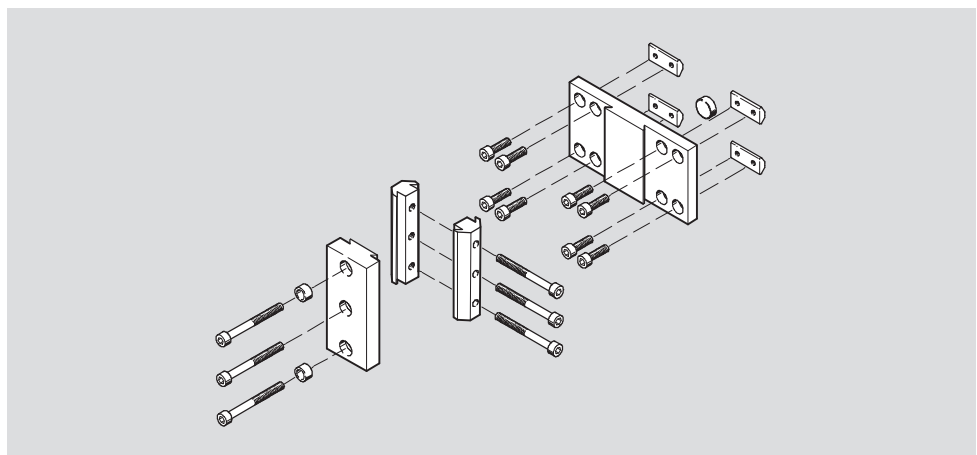
### Dovetail mounting

Two drives are connected using a dovetail clamping device and possibly also an adapter plate.



## Assembly

For the quick connection of two drives, the required screws, centring sleeves, centring pins, clamping components, adapter plates and slot nuts are contained in the scope of delivery of the adapter kit.



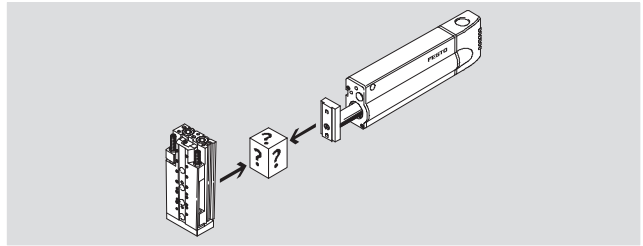
# Drive/drive connectors

Selection aid



Adapter kits provide a fast, sturdy and precise connection between Festo grippers and drives.

The scope of delivery includes all necessary accessories such as screws, centring discs, sleeves or pins, and nuts.



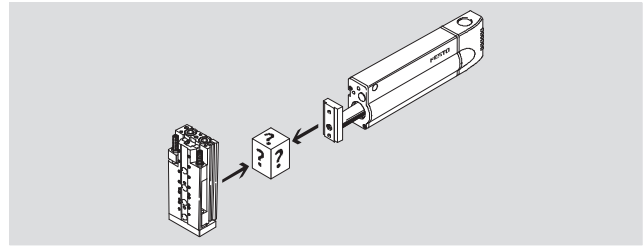
Possible combinations							
	X/Y						
	HMP, HME	HMPL	DGSL	SLT, SLTE	SLG	DRQD	
Z							
	→ 6	-	-	-	-	-	-
		→ 15	-	-	-	-	-
		-	→ 17	-	→ 23	→ 18	
		-	-	→ 20	→ 24	-	
		-	-	-	→ 25	-	
		→ 16	→ 18	→ 21	-	-	
		-	→ 19	→ 22	-	-	
		-	-	-	-	-	
	→ 14	-	-	-	-	-	

# Drive/drive connectors

Selection aid

Adapter kits provide a fast, sturdy and precise connection between Festo grippers and drives.

The scope of delivery includes all necessary accessories such as screws, centring discs, sleeves or pins, and nuts.



Possible combinations						
	X/Y					
	DGC, DGPL, DGE-KF	DGEA	EGSA	DG...-HD	SPZ	DPZ
Z		→ 26	-	→ 42	-	-
		→ 27	-	→ 43	-	-
		→ 28	-	→ 39	-	-
		→ 29	-	-	-	-
		→ 30	→ 30	→ 40	-	-
		-	→ 32	→ 41	-	-
		→ 33	-	-	-	-
		→ 33	-	-	-	-
		-	-	→ 38	-	-
		→ 34	-	-	-	-
		-	-	-	→ 44	→ 44
		-	-	-	→ 44	→ 44
		→ 35	-	-	-	-

# HMP, HME/HMP connections

Technical data

## Adapter kit HMSV

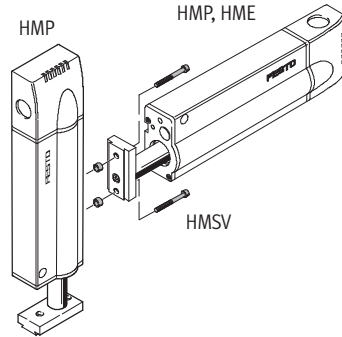
**Material:**

Wrought aluminium alloy, anodised

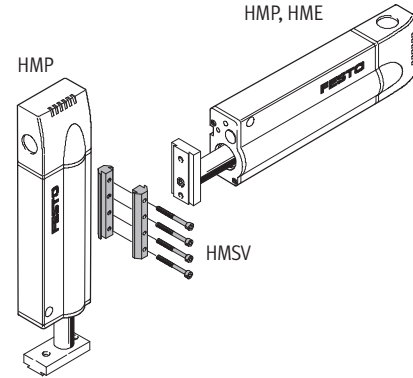
Centring sleeves: High-alloy steel

Slot nuts: Tempered steel

Free of copper, PTFE and silicone



Direct mounting

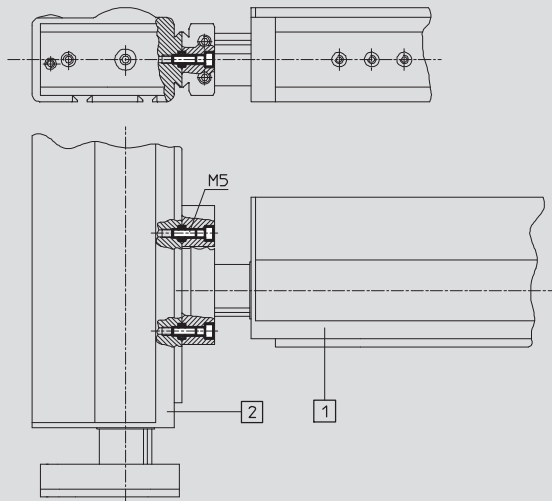


Dovetail mounting

## Dimensions and ordering data

Download CAD data → [www.festo.com](http://www.festo.com)

### Direct mounting



- 1 Linear module HMP, HME<sup>2)</sup>
- 2 Linear module HMP

Drive 1	Drive 2	CRC <sup>1)</sup>	Part No.	Type	Part No.	Type	Required quantity	PU <sup>4)</sup>
HMP/HME-16 <sup>2)</sup>	HMP-16	2	-		-	M5x25 <sup>3)</sup>	2	-
					150 927	ZBH-9 <sup>3)</sup>	2	10
HMP-20	HMP-16/20				-	M5x25 <sup>3)</sup>	3	-
					150 927	ZBH-9 <sup>3)</sup>	3	10
HMP-25/32 HME-25 <sup>2)</sup>	HMP-16/20				-	M5x30 <sup>3)</sup>	3	-
				150 927	ZBH-9 <sup>3)</sup>	3	10	
HMP/HME-25 <sup>2)</sup>	HMP-25		177 652	HMSV-6	-		-	-
HMP-32	HMP-25/32							

1) Corrosion resistance class 2 as per Festo standard 940 070

Components subject to moderate corrosion stress. Externally visible parts with primarily decorative surface requirements which are in direct contact with a normal industrial environment or media such as coolants or lubricating agents.

2) HME: horizontal mounting position, vertical on request

3) The screws and centring sleeves listed are not included in the scope of delivery of the drives

4) Packaging unit quantity

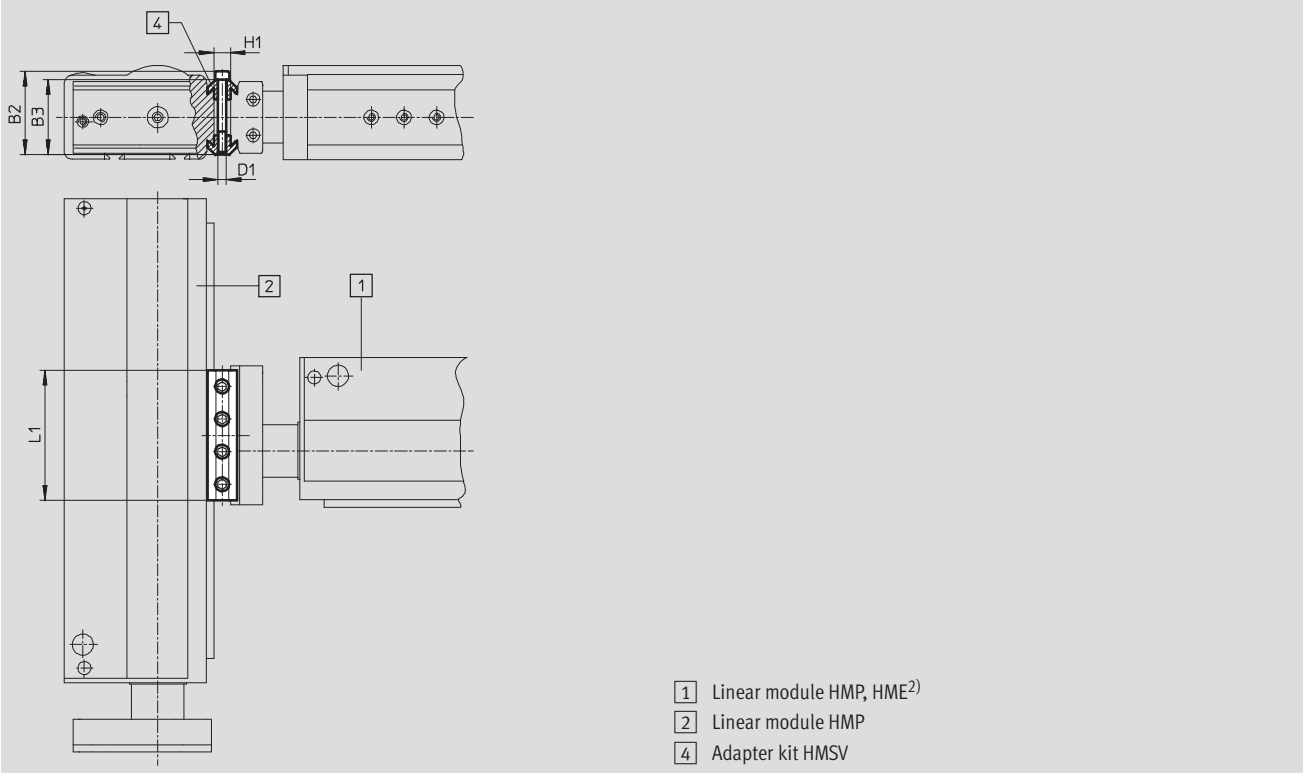
# HMP, HME/HMP connections

Technical data

## Dimensions and ordering data

Download CAD data → [www.festo.com](http://www.festo.com)

### Dovetail mounting



Drive 1	Drive 2	B2	B3	D1	H1	L1	CRC <sup>1)</sup>	Part No.	Type
HMP-16/20/25 HME-16/25 <sup>2)</sup>	HMP-16	51	46	M5	10	80	2	177 647	HMSV-1
HMP-20 HMP/HME-25 <sup>2)</sup>	HMP-20 HMP-20/25					100		177 649	HMSV-3
HMP-32	HMP-16 HMP-20/25/32					120		177 653	HMSV-7

- 1) Corrosion resistance class 2 as per Festo standard 940 070  
 Components subject to moderate corrosion stress. Externally visible parts with primarily decorative surface requirements which are in direct contact with a normal industrial environment or media such as coolants or lubricating agents.
- 2) HME: horizontal mounting position, vertical on request

# HMP, HME/HMPL connections

Technical data

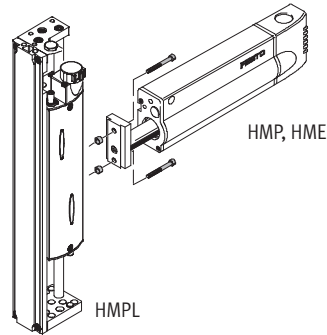
## Adapter kit HMSV

Material:

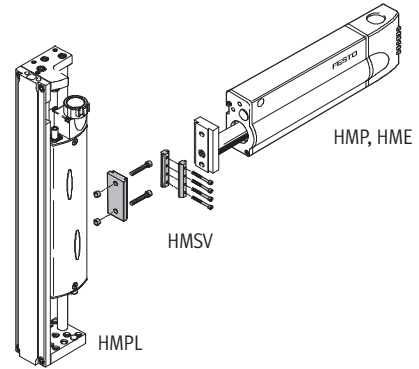
Wrought aluminium alloy, anodised

Centring sleeves: High-alloy steel

Free of copper, PTFE and silicone



Direct mounting

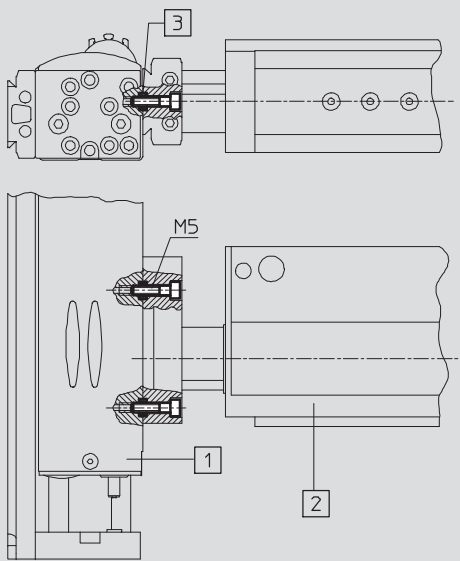


Dovetail mounting

## Dimensions and ordering data

Download CAD data → [www.festo.com](http://www.festo.com)

### Direct mounting



- 1 Linear module HMPL
- 2 Linear module HMP, HME
- 3 Centring sleeve ZBH-9

Drive	Drive	Part No.	Type	Required quantity	PU <sup>2)</sup>
HMP-16/20 HME-16	HMPL-12/16/20	–	M5x22 DIN 912 <sup>1)</sup>	2	–
		150 927	ZBH-9	2	10
HMP/HME-25	HMPL-16/20	–	M5x30 DIN 912 <sup>1)</sup>	2	–
		150 927	ZBH-9	2	10

1) The screws listed are not included in the scope of delivery of the drives

2) Packaging unit quantity



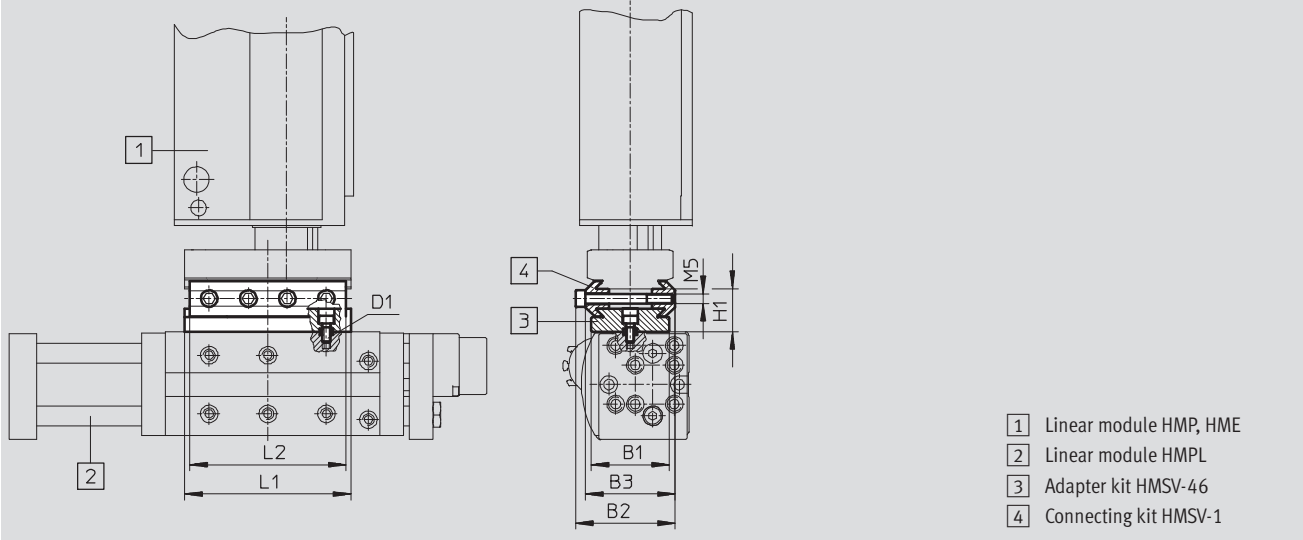
# HMP, HME/HMPL connections

Technical data

## Dimensions and ordering data

Download CAD data → [www.festo.com](http://www.festo.com)

### Dovetail mounting



Drive	Drive	B1	B2	B3	D1	H1	L1	L2	CRC <sup>1)</sup>	Part No.	Type
HMP-16/20	HMPL-12/16/20	40	51	46	M3	22	85	80	2	193 923	HMSV-46
HME-16										177 647	HMSV-1
HMP/HME-25	HMPL-16/20										
HMP-32	HMPL-20										

1) Corrosion resistance class 2 as per Festo standard 940 070  
 Components subject to moderate corrosion stress. Externally visible parts with primarily decorative surface requirements which are in direct contact with a normal industrial environment or media such as coolants or lubricating agents.

# HMP, HME/DGSL connections

Technical data

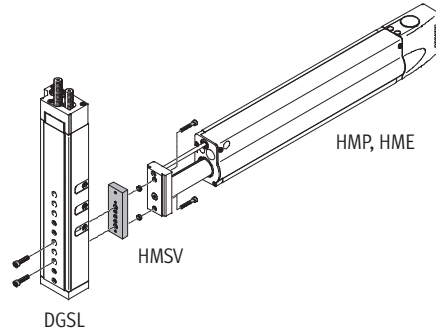
## Adapter kit HMSV

Material:

Wrought aluminium alloy, anodised

Centring sleeves: High-alloy steel

Free of copper, PTFE and silicone

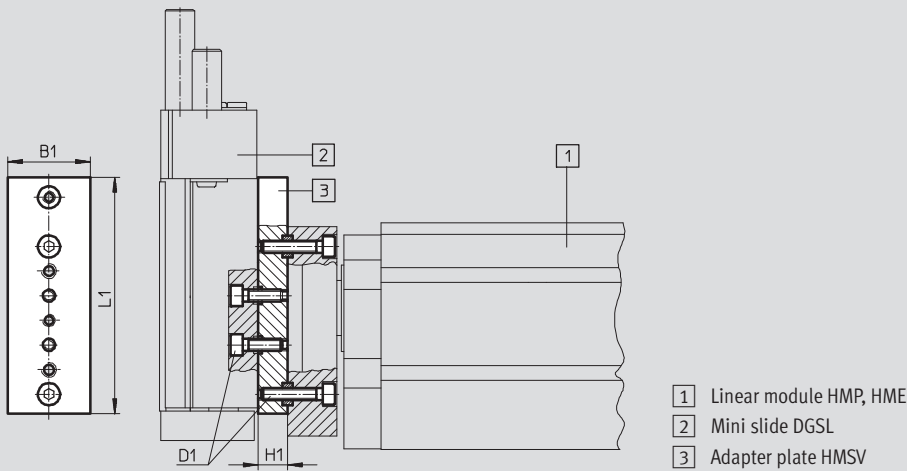


Direct mounting

## Dimensions and ordering data

Download CAD data → [www.festo.com](http://www.festo.com)

Direct mounting



- 1 Linear module HMP, HME
- 2 Mini slide DGSL
- 3 Adapter plate HMSV

Drive	Drive	B1	D1	H1	L1	CRC <sup>1)</sup>	Part No.	Type
HMP/HME-16	DGSL-16	34	M5	12	125	2	548 779	HMSV-49
HMP-20	DGSL-16/20							
HMP/HME-25	DGSL-20/25							
HMP-32	DGSL-25							

1) Corrosion resistance class 2 as per Festo standard 940 070

Components subject to moderate corrosion stress. Externally visible parts with primarily decorative surface requirements which are in direct contact with a normal industrial environment or media such as coolants or lubricating agents.

# HMP, HME/SLT, SLTE connections

Technical data

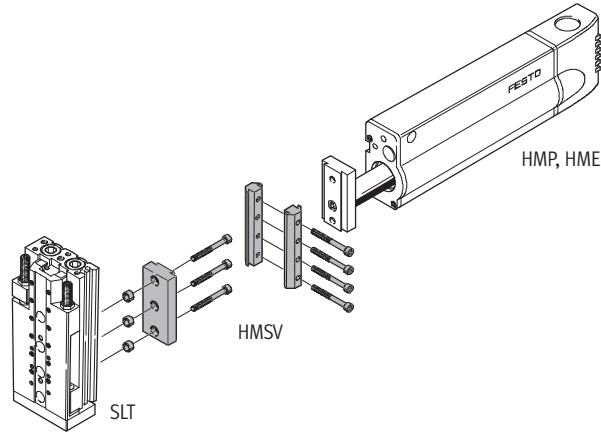
## Adapter kit HMSV

Material:

Wrought aluminium alloy, anodised

Centring sleeves: High-alloy steel

Free of copper, PTFE and silicone

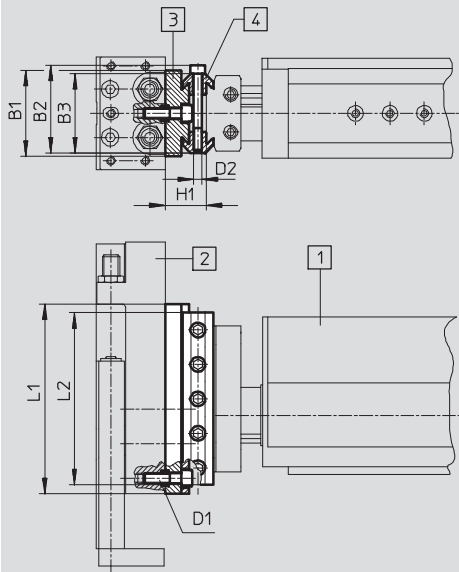


Dovetail mounting

## Dimensions and ordering data

Download CAD data → [www.festo.com](http://www.festo.com)

Dovetail mounting



- 1 Linear module HMP, HME
- 2 Mini slide SLT, SLTE
- Adapter kit HMSV, comprising:
- 3 Adapter plate
- 4 Dovetail clamp

Drive	Drive	B1	B2	B3	D1	D2	H1	L1	L2	CRC <sup>1)</sup>	Part No.	Type
HMP/HME-16	SLT-6	40	51	46	M3	M5	22	85	80	2	178 329	HMSV-34
HMP-16/20 HME-16	SLT/SLTE-10				M4			178 330			HMSV-35	
HMP-16/20/25 HME-16/25	SLT/SLTE-16	50			24		110	100	178 331		HMSV-36	
HMP-20/25/32 HME-25	SLT-20	80			M6		26	100	178 332		HMSV-37	
HMP-25/32 HME-25	SLT-25				M8							

1) Corrosion resistance class 2 as per Festo standard 940 070

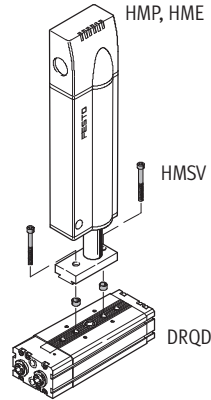
Components subject to moderate corrosion stress. Externally visible parts with primarily decorative surface requirements which are in direct contact with a normal industrial environment or media such as coolants or lubricating agents.

# HMP, HME/DRQD connections

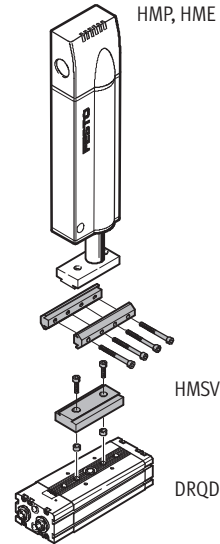
Technical data

## Adapter kit HMSV

Material:  
Wrought aluminium alloy, anodised  
Centring sleeves: High-alloy steel  
Free of copper, PTFE and silicone



Direct mounting



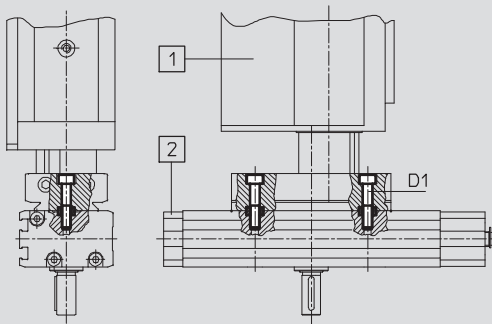
Dovetail mounting

## Dimensions and ordering data

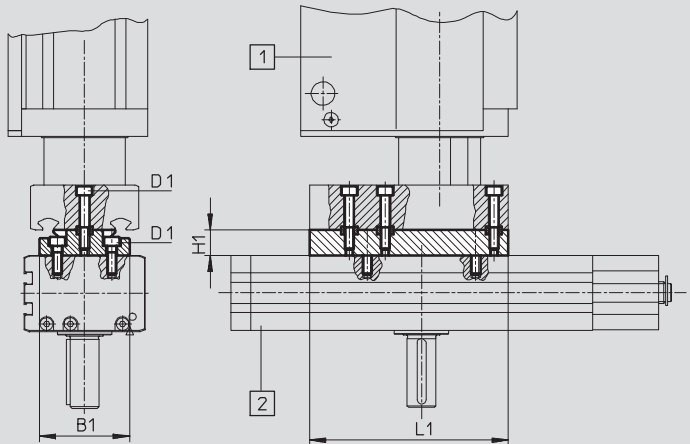
Download CAD data → [www.festo.com](http://www.festo.com)

### Direct mounting

HMSV-4/-5



HMSV-11/-13/-15/-17



- 1 Linear module HMP, HME<sup>2)</sup>
- 2 Semi-rotary drive DRQD

Drive	Drive	B1	D1	H1	L1	CRC <sup>1)</sup>	Part No.	Type	Part No.	Type	Required quantity	PU <sup>4)</sup>
HMP-16/20 HME-16 <sup>2)</sup>	DRQD-B-16/20	-	-	-	-	2	-	-	M5x20 <sup>3)</sup>	3	-	
							-	150 927	ZBH-9 <sup>3)</sup>	3	10	
HMP/HME-25 <sup>2)</sup>	DRQD-B-16/20	-	M5	-	-	2	-	-	M5x25 <sup>3)</sup>	3	-	
							-	150 927	ZBH-9 <sup>3)</sup>	3	10	
HMP-32	DRQD-B-25	50	M5	14	110	2	177 657	HMSV-11	-	-	-	
	DRQD-B-20				133		177 659	HMSV-13	-	-		
	DRQD-B-25				177 661		HMSV-15	-	-			
	DRQD-B-32				177 663		HMSV-17	-	-			

- 1) Corrosion resistance class 2 as per Festo standard 940 070  
Components subject to moderate corrosion stress. Externally visible parts with primarily decorative surface requirements which are in direct contact with a normal industrial environment or media such as coolants or lubricating agents.
- 2) HME: Horizontal mounting position, vertical on request
- 3) The screws and centring sleeves listed are not included in the scope of delivery of the drives
- 4) Packaging unit quantity

# HMP, HME/DRQD connections

Technical data

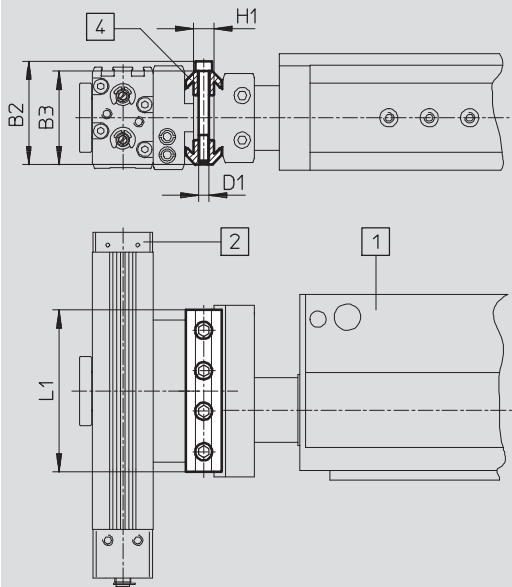
FESTO

## Dimensions and ordering data

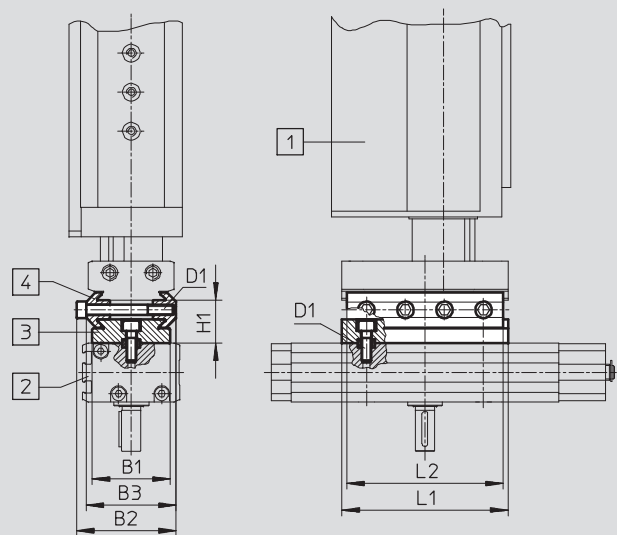
Download CAD data → [www.festo.com](http://www.festo.com)

### Dovetail mounting

HMSV-1



HMSV-10/-11/-13/-15/-17



- 1 Linear module HMP, HME<sup>2)</sup>
- 2 Semi-rotary drive DRQD-SD
- 4 Dovetail clamp

- 1 Linear module HMP, HME<sup>2)</sup>
- 2 Semi-rotary drive DRQD

- Adapter kit HMSV, comprising:
- 3 Adapter plate
  - 4 Dovetail clamp

Drive	Drive	B1	B2	B3	D1	H1	L1	L2	CRC <sup>1)</sup>	Part No.	Type
HMP-16/20/25/32 HME-16 <sup>2)</sup>	DRQD-B-16/20 (SD32, SD42)	-	51	46	M5	10	80	-	2	177 647	HMSV-1
HMP-16/20/25 HME-16/25 <sup>2)</sup>	DRQD-B-16/20	40	51	46	M5	22	85	80	2	177 656	HMSV-10
HMP/HME-25 <sup>2)</sup>	DRQD-B-25	50				110	100	177 657		HMSV-11	
HMP-32	DRQD-B-20					177 649	HMSV-3				
	DRQD-B-25					177 659	HMSV-13				
	DRQD-B-32	133	120	177 649	HMSV-3						
										177 661	HMSV-15
										177 653	HMSV-7
										177 663	HMSV-17
										177 653	HMSV-7

1) Corrosion resistance class 2 as per Festo standard 940 070

Components subject to moderate corrosion stress. Externally visible parts with primarily decorative surface requirements which are in direct contact with a normal industrial environment or media such as coolants or lubricating agents.

2) HME: Horizontal mounting position, vertical on request

# HMP, HME/DSL connections

Technical data

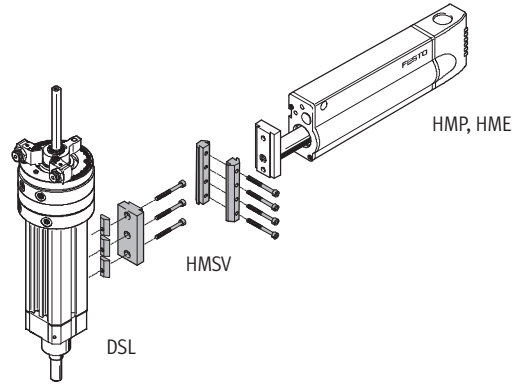
## Adapter kit HMSV

Material:

Wrought aluminium alloy, anodised

Slot nuts: Tempered steel

Free of copper, PTFE and silicone

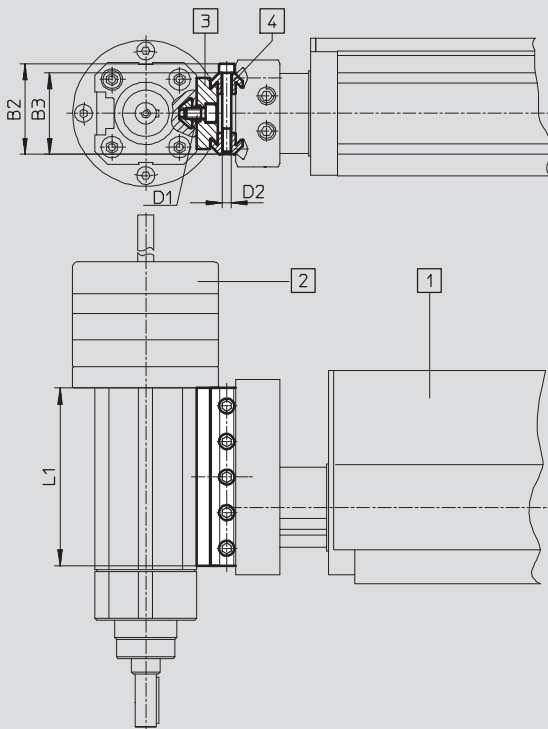


Dovetail mounting

## Dimensions and ordering data

Download CAD data → [www.festo.com](http://www.festo.com)

Dovetail mounting



- 1 Linear module HMP, HME
- 2 Swivel/linear unit DSL
- Adapter kit HMSV, comprising:
- 3 Adapter plate
- 4 Dovetail clamp

Drive	Drive	B2	B3	D1	D2	L1	CRC <sup>1)</sup>	Part No.	Type
HMP-16/20/25	DSL-16	51	46	M5	M5	80	2	177 649	HMSV-3
HME-16/25								163 214	HAPB-15
HMP-20/25	DSL-20			M6		100		177 649	HMSV-3
HME-25								163 215	HAPB-16
HMP/HME-25	DSL-25								
HMP-32	DSL-20/25/32								

1) Corrosion resistance class 2 as per Festo standard 940 070

Components subject to moderate corrosion stress. Externally visible parts with primarily decorative surface requirements which are in direct contact with a normal industrial environment or media such as coolants or lubricating agents.

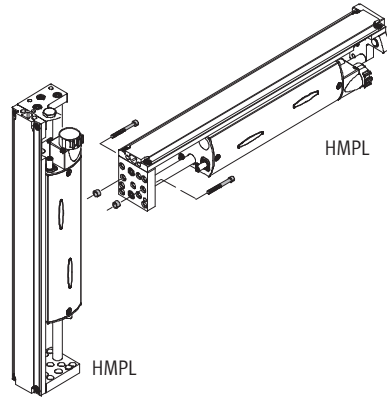
# HMPL/HMPL connections

Technical data

## Adapter kit

(user configured)

Material:  
to DIN 912  
Centring sleeves: High-alloy steel  
Free of copper, PTFE and silicone

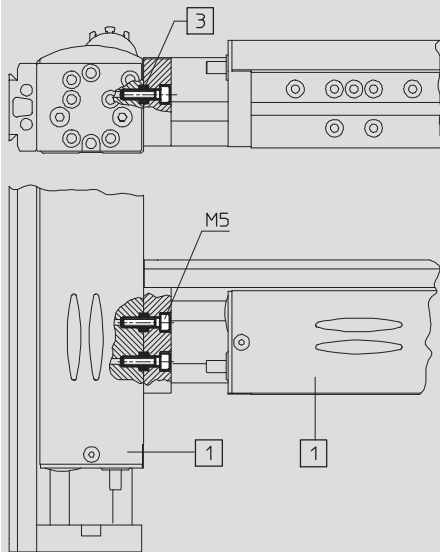


Direct mounting

## Dimensions and ordering data

Download CAD data → [www.festo.com](http://www.festo.com)

Direct mounting



- 1 Linear module HMPL
- 3 Centring sleeve ZBH-9

Drive	Drive	Part No.	Type	Required quantity	PU <sup>2)</sup>
HMPL-12	HMPL-12	–	M5x16 DIN 912 <sup>1)</sup>	2	–
HMPL-16	HMPL-12/16	150 927	ZBH-9	2	10
HMPL-20	HMPL-12/16/20				

1) The screws listed are not included in the scope of delivery of the drives  
2) Packaging unit quantity

# HMPL/DRQD connections

Technical data

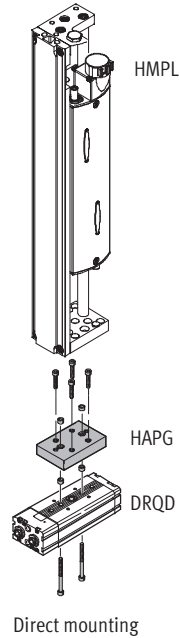
## Adapter kit HAPG

Material:

Wrought aluminium alloy, anodised

Centring sleeves: High-alloy steel

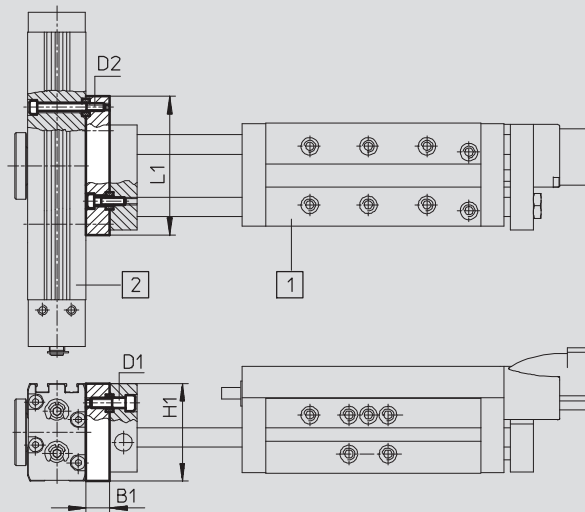
Free of copper, PTFE and silicone



## Dimensions and ordering data

Download CAD data → [www.festo.com](http://www.festo.com)

### Direct mounting



- 1 Linear module HMPL
- 2 Semi-rotary drive DRQD

Drive	Drive <sup>1)</sup>	B1	D1	D2	H1	L1	CRC <sup>2)</sup>	Part No.	Type	Required quantity
HMPL-12	DRQD-6	-	-	-	-	-	-	-	M4x16 DIN 912 <sup>3)</sup>	2
HMPL-16/20	DRQD-8/12	-	-	-	-	-	-	-	M5x20 DIN 912 <sup>3)</sup>	2
	DRQD-B-16/20	12	M5	M4	50	71	2	192 707	HAPG-38	1

1) When using DRQD-8 and 12 with flanged shaft with energy through-feed SD32, the mounting type DRQD-...B2 must be chosen.

2) Corrosion resistance class 2 as per Festo standard 940 070

Components subject to moderate corrosion stress. Externally visible parts with primarily decorative surface requirements which are in direct contact with a normal industrial environment or media such as coolants or lubricating agents.

3) The screws listed are not included in the scope of delivery of the drives



# DGSL/DGSL connections

Technical data

FESTO

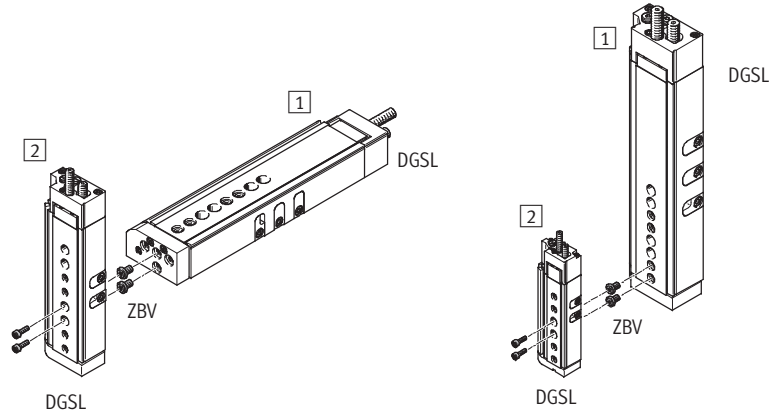
## Adapter kit

Material:

Centring sleeves and connecting

sleeves: High-alloy steel

Free of copper, PTFE and silicone



Direct mounting

Direct mounting

Ordering data		Download CAD data → <a href="http://www.festo.com">www.festo.com</a>				
Drive 1	Drive 2	CRC <sup>1)</sup>	Part No.	Type	Required quantity	PU <sup>4)</sup>
DGSL-4	DGSL-4	2	–	M3x7 <sup>2)</sup>	2	–
			189 652	ZBH-5 <sup>3)</sup>	2	10
DGSL-6	DGSL-4/-6		–	M3x10 <sup>2)</sup>	2	–
			189 652	ZBH-5 <sup>3)</sup>	2	10
DGSL-8/-10	DGSL-4/-6		548 802	ZBV-M4-7	1	3
DGSL-8/-10	DGSL-8		–	M4x12 <sup>2)</sup>	2	–
			186 717	ZBH-7 <sup>3)</sup>	2	10
DGSL-10	DGSL-10		–	M4x14 <sup>2)</sup>	3	–
			186 717	ZBH-7 <sup>3)</sup>	3	10
DGSL-12/-16	DGSL-8/-10		548 803	ZBV-M5-7	1	3
DGSL-12	DGSL-12		–	M5x14 <sup>2)</sup>	3	–
			186 717	ZBH-7 <sup>3)</sup>	3	10
DGSL-16	DGSL-12		–	M5x16 <sup>2)</sup>	3	–
			186 717	ZBH-7 <sup>3)</sup>	3	10
DGSL-16	DGSL-16	–	M5x18 <sup>2)</sup>	3	–	
		186 717	ZBH-7 <sup>3)</sup>	3	10	
DGSL-20/-25	DGSL-12/-16	548 804	ZBV-M6-9	1	3	
DGSL-20/-25	DGSL-20	–	M6x20 <sup>2)</sup>	3	–	
		150 927	ZBH-9 <sup>3)</sup>	3	10	
DGSL-25	DGSL-25	–	M6x30 <sup>2)</sup>	3	–	
		150 927	ZBH-9 <sup>3)</sup>	3	10	

- 1) Corrosion resistance class 2 as per Festo standard 940 070  
Components subject to moderate corrosion stress. Externally visible parts with primarily decorative surface requirements which are in direct contact with a normal industrial environment or media such as coolants or lubricating agents.
- 2) The screws listed are not included in the scope of delivery of the drives
- 3) The centring sleeves are included in the scope of delivery of the drives
- 4) Packaging unit quantity

# DGSL/DRQD connections

Technical data

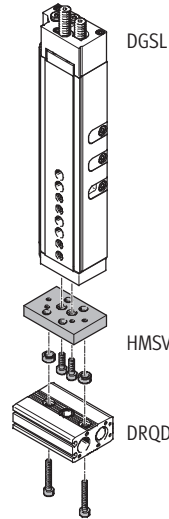
## Adapter kit HMSV

Material:

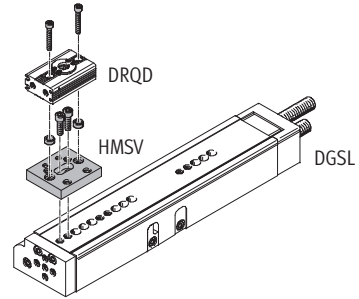
Wrought aluminium alloy, anodised

Centring sleeves: High-alloy steel

Free of copper, PTFE and silicone



Direct mounting on yoke plate

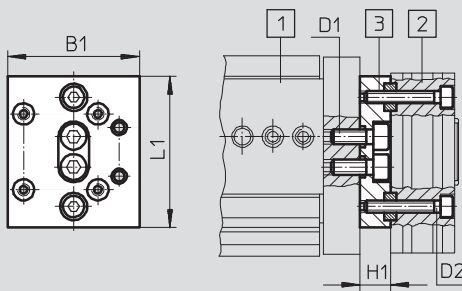


Direct mounting on slide

## Dimensions and ordering data

Download CAD data → [www.festo.com](http://www.festo.com)

Direct mounting



- 1 Mini slide DGSL
- 2 Semi-rotary drive DRQD
- 3 Adapter plate HMSV

Drive	Drive	B1	D1	D2	H1	L1	CRC <sup>1)</sup>	Part No.	Type
<b>Direct mounting on yoke plate</b>									
DGSL-4/6	DRQD-6	17	M3	M3	8	40	2	548 783	HMSV-53
DGSL-8/10	DRQD-8/12	33	M4	M3	9	50	2	548 784	HMSV-54
DGSL-12/16	DRQD-8/12	43,5	M6	M4	10			548 785	HMSV-55
DGSL-20/25	DRQD-B-16/20	73			12	100	548 786	HMSV-56	
<b>Direct mounting on slide</b>									
DGSL-8/10	DRQD-8/12	33	M4	M3	9	50	2	548 784	HMSV-54
DGSL-12/16	DRQD-8/12	43.5	M6	M4	10			548 785	HMSV-55
DGSL-20/25	DRQD-B-16/20	73			12	100	548 786	HMSV-56	

1) Corrosion resistance class 2 as per Festo standard 940 070

Components subject to moderate corrosion stress. Externally visible parts with primarily decorative surface requirements which are in direct contact with a normal industrial environment or media such as coolants or lubricating agents.

# DGSL/ERMB connections

Technical data

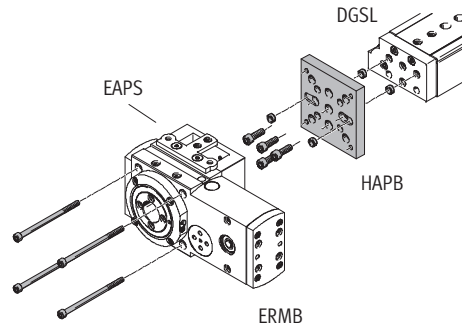
## Adapter kit HAPB

**Material:**

Wrought aluminium alloy, anodised

Centring sleeves: High-alloy steel

Free of copper, PTFE and silicone

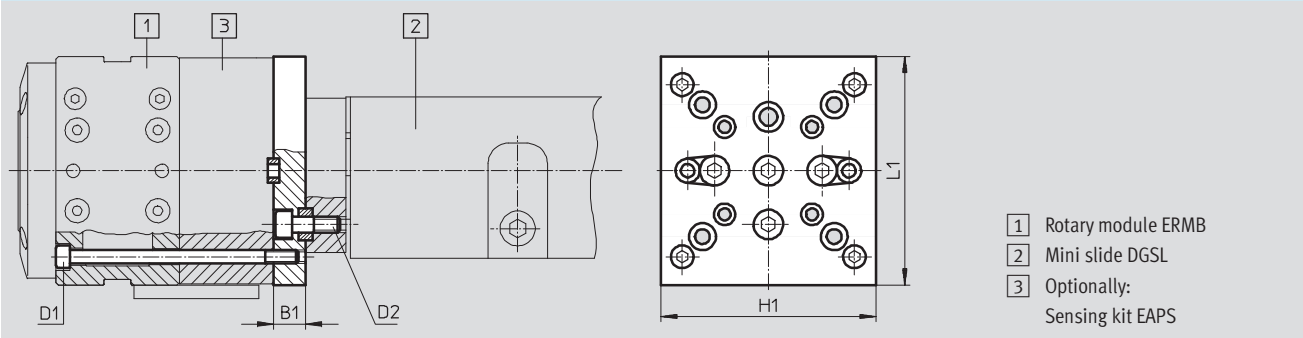


Direct mounting

## Dimensions and ordering data

Download CAD data → [www.festo.com](http://www.festo.com)

### Direct mounting



Drive	Drive	Sensing kit	B1	D1	D2	H1	L1	CRC <sup>1)</sup>	Part No.	Type		
DGSL-16	ERMB-20	EAPS-...-20	17	M4	M5	50	72	2	558 306	HAPB-38		
DGSL-20/25					M6							
DGSL-20/25	ERMB-25	EAPS-...-25	12	M5	M6	80	85				558 307	HAPB-39
DGSL-25	ERMB-32	EAPS-...-32	12	M5	M6	100	115				558 308	HAPB-40

1) Corrosion resistance class 2 as per Festo standard 940 070

Components subject to moderate corrosion stress. Externally visible parts with primarily decorative surface requirements which are in direct contact with a normal industrial environment or media such as coolants or lubricating agents.

# SLT, SLTE/SLT, SLTE connections

Technical data

## Adapter kit

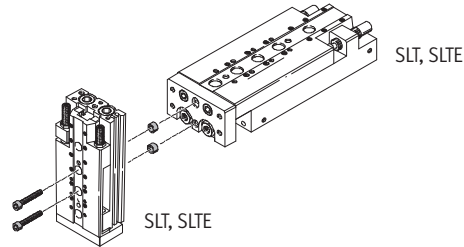
(user configured)

Material:

to DIN 912

Centring sleeves: High-alloy steel

Free of copper, PTFE and silicone

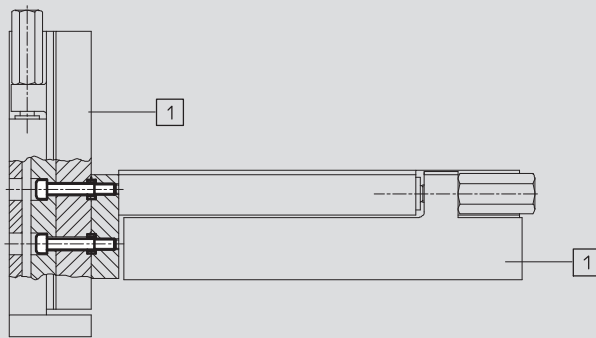


Direct mounting

## Dimensions and ordering data

Download CAD data → [www.festo.com](http://www.festo.com)

Direct mounting



1 Mini slide SLT, SLTE

Drive	Drive	Part No.	Type	Required quantity	PU <sup>2)</sup>
SLT/SLTE-10	SLT-6	–	M3x20 DIN 912 <sup>1)</sup>	2	–
		189 652	ZBH-5	2	10
SLT/SLTE-16	SLT/SLTE-10	–	M4x25 DIN 912 <sup>1)</sup>	2	–
		186 717	ZBH-7	2	10
SLT-20	SLT/SLTE-16	–	M5x30 DIN 912 <sup>1)</sup>	2	–
		150 927	ZBH-9	2	10
SLT-25	SLT-20	–	M6x40 DIN 912 <sup>1)</sup>	2	–
		189 653	ZBH-12	2	10

1) The screws listed are not included in the scope of delivery of the drives

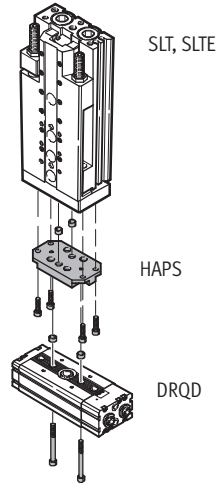
2) Packaging unit quantity

# SLT, SLTE/DRQD connections

Technical data

## Adapter kit HAPS

Material:  
Wrought aluminium alloy, anodised  
Centring sleeves: High-alloy steel  
Free of copper, PTFE and silicone

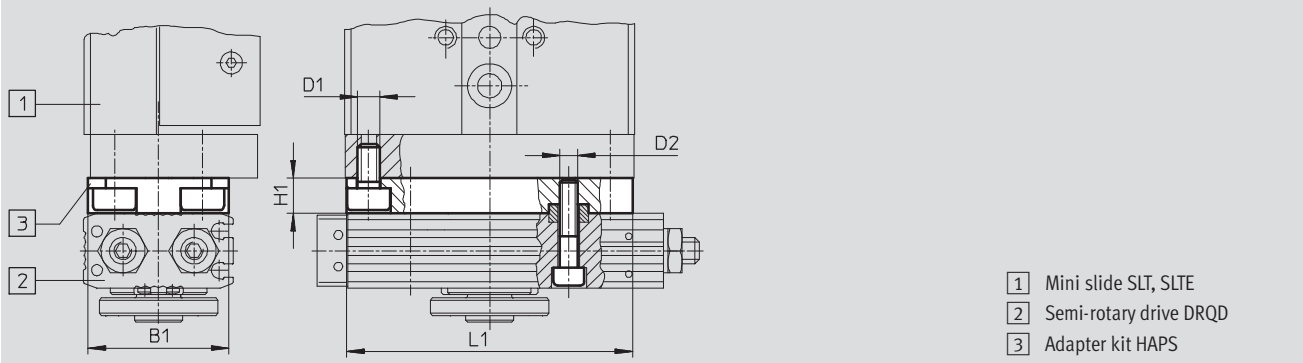


Direct mounting

## Dimensions and ordering data

Download CAD data → [www.festo.com](http://www.festo.com)

### Direct mounting



Drive	Drive	B1	D1	D2	H1	L1	CRC <sup>1)</sup>	Part No.	Type
SLT-6	DRQD-6	16	M3	M4	8	36	2	178 447	HAPS-1
SLT/SLTE-10	DRQD-8	28	M4			48		178 448	HAPS-2
SLT/SLTE-16	DRQD-12	32	M5	M5	65	178 449		HAPS-3	
SLT-20	DRQD-B-16/20	44			80	178 450		HAPS-4	
SLT-25	DRQD-B-16/20	58			M8	M6		91	178 451

1) Corrosion resistance class 2 as per Festo standard 940 070

Components subject to moderate corrosion stress. Externally visible parts with primarily decorative surface requirements which are in direct contact with a normal industrial environment or media such as coolants or lubricating agents.

# SLT/ERMB connections

Technical data

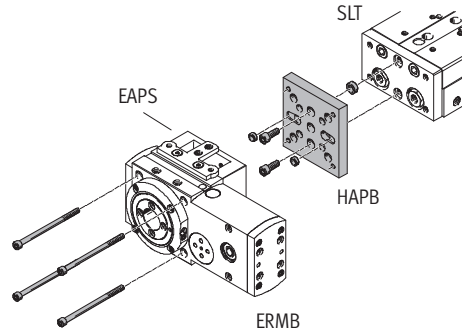
## Adapter kit HAPB

**Material:**

Wrought aluminium alloy, anodised

Centring sleeves: High-alloy steel

Free of copper, PTFE and silicone

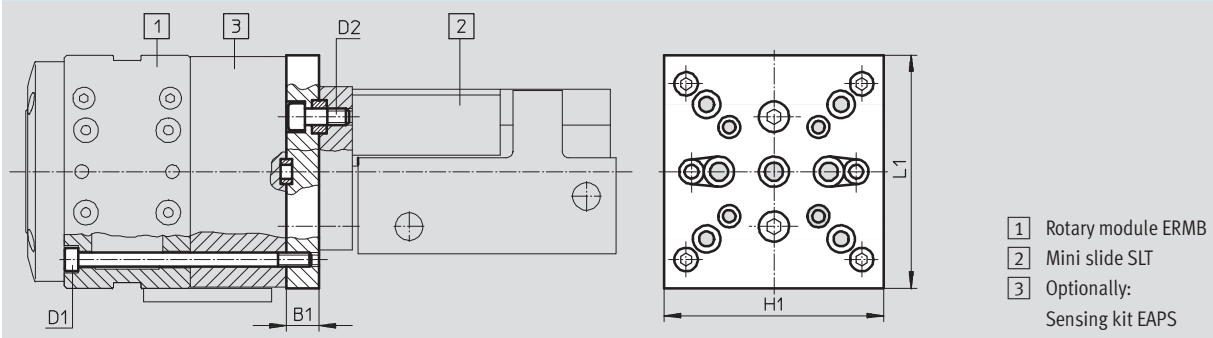


Direct mounting

### Dimensions and ordering data

Download CAD data → [www.festo.com](http://www.festo.com)

#### Direct mounting



Drive	Drive	Sensing kit	B1	D1	D2	H1	L1	CRC <sup>1)</sup>	Part No.	Type
SLT-20	ERMB-20	EAPS-20	17	M4	M5	50	72	2	<b>558 306</b>	<b>HAPB-38</b>
SLT-25	ERMB-25	EAPS-25	12	M5	M6	80	85		<b>558 307</b>	<b>HAPB-39</b>

1) Corrosion resistance class 2 as per Festo standard 940 070

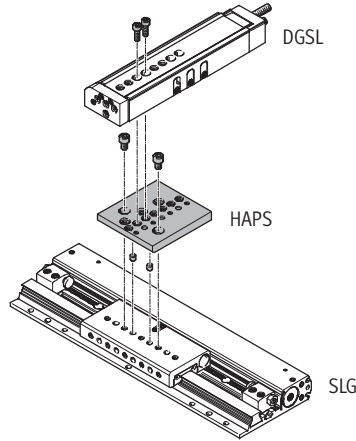
Components subject to moderate corrosion stress. Externally visible parts with primarily decorative surface requirements which are in direct contact with a normal industrial environment or media such as coolants or lubricating agents.

# SLG/DGSL connections

Technical data

## Adapter kit HAPS

Material:  
Wrought aluminium alloy, anodised  
Centring sleeves: High-alloy steel  
Free of copper, PTFE and silicone

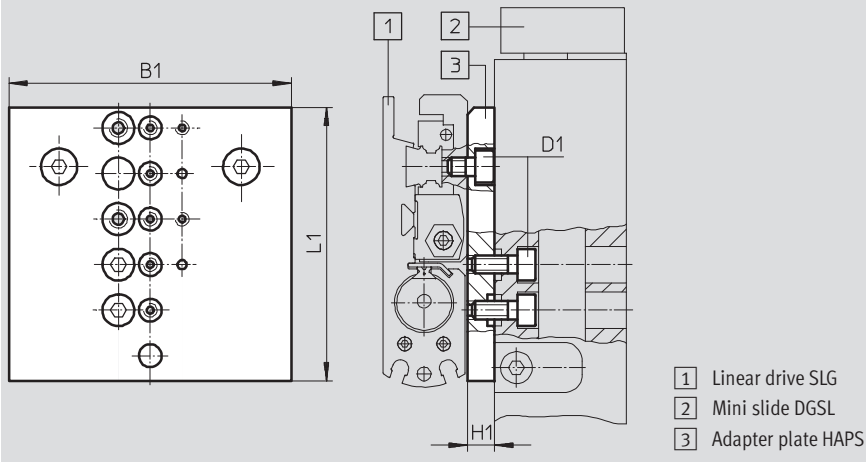


Direct mounting

## Dimensions and ordering data

Download CAD data → [www.festo.com](http://www.festo.com)

Direct mounting



Drive	Drive	B1	D1	H1	L1	CRC <sup>1)</sup>	Part No.	Type
SLG-8	DGSL-4/6	62	M4	6	60	2	189 533	HAPS-11
SLG-12	DGSL-4/6/8/10							
SLG-18	DGSL-8/10/12	65	M5	8	80		189 534	HAPS-12

1) Corrosion resistance class 2 as per Festo standard 940 070

Components subject to moderate corrosion stress. Externally visible parts with primarily decorative surface requirements which are in direct contact with a normal industrial environment or media such as coolants or lubricating agents.

# SLG/SLT, SLTE connections

Technical data

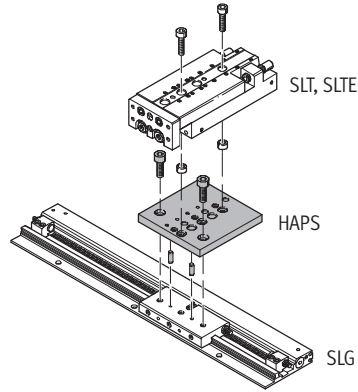
## Adapter kit HAPS

Material:

Wrought aluminium alloy, anodised

Centring sleeves: High-alloy steel

Free of copper, PTFE and silicone

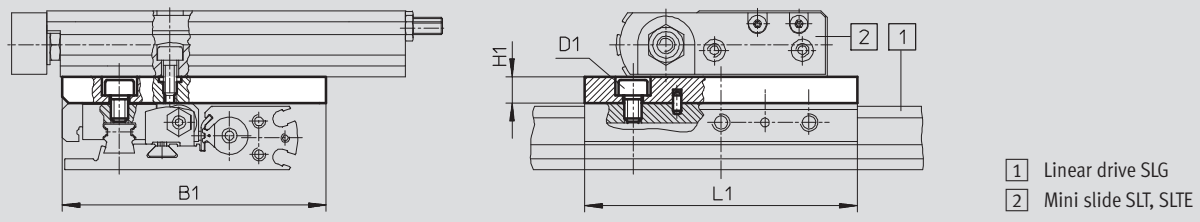


Direct mounting

## Dimensions and ordering data

Download CAD data → [www.festo.com](http://www.festo.com)

Direct mounting



Drive	Drive	B1	D1	H1	L1	CRC <sup>1)</sup>	Part No.	Type
SLG-8	SLT-6	60	M4	6	42	2	189 533	HAPS-11
SLG-12	SLT-6/10 SLTE-10							
SLG-18	SLT/SLTE-10/16	70	M5	8	65		189 534	HAPS-12

1) Corrosion resistance class 2 as per Festo standard 940 070  
Components subject to moderate corrosion stress. Externally visible parts with primarily decorative surface requirements which are in direct contact with a normal industrial environment or media such as coolants or lubricating agents.



# SLG/SLF connections

Technical data

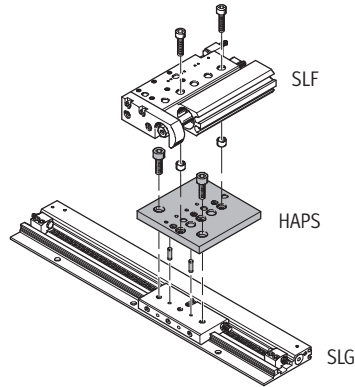
## Adapter kit HAPS

**Material:**

Wrought aluminium alloy, anodised

Centring sleeves: High-alloy steel

Free of copper, PTFE and silicone

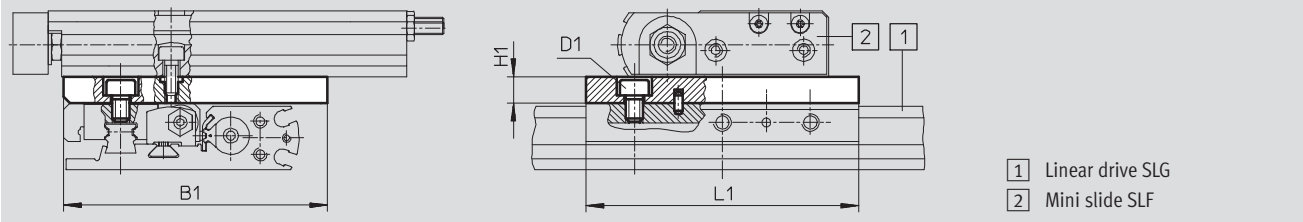


Direct mounting

## Dimensions and ordering data

Download CAD data → [www.festo.com](http://www.festo.com)

### Direct mounting



- 1 Linear drive SLG
- 2 Mini slide SLF

Drive	Drive	B1	D1	H1	L1	CRC <sup>1)</sup>	Part No.	Type
SLG-8/12	SLF-6/10	60	M4	6	42	2	189 533	HAPS-11
SLG-12	SLF-16							
SLG-18	SLF-10/16	70	M5	8	65		189 534	HAPS-12

1) Corrosion resistance class 2 as per Festo standard 940 070  
 Components subject to moderate corrosion stress. Externally visible parts with primarily decorative surface requirements which are in direct contact with a normal industrial environment or media such as coolants or lubricating agents.

# DG.../HMP, HME connections

Technical data

## Adapter kit HMAV-DL

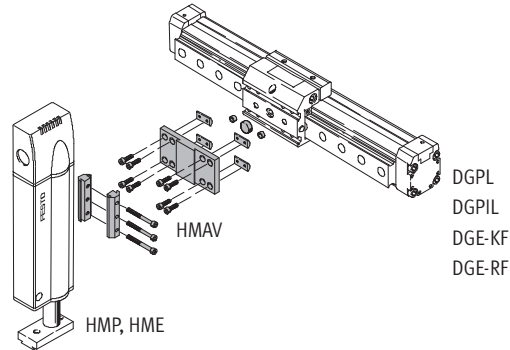
**Material:**

Wrought aluminium alloy, anodised

Centring sleeves: High-alloy steel

Slot nuts: Tempered steel

Free of copper, PTFE and silicone

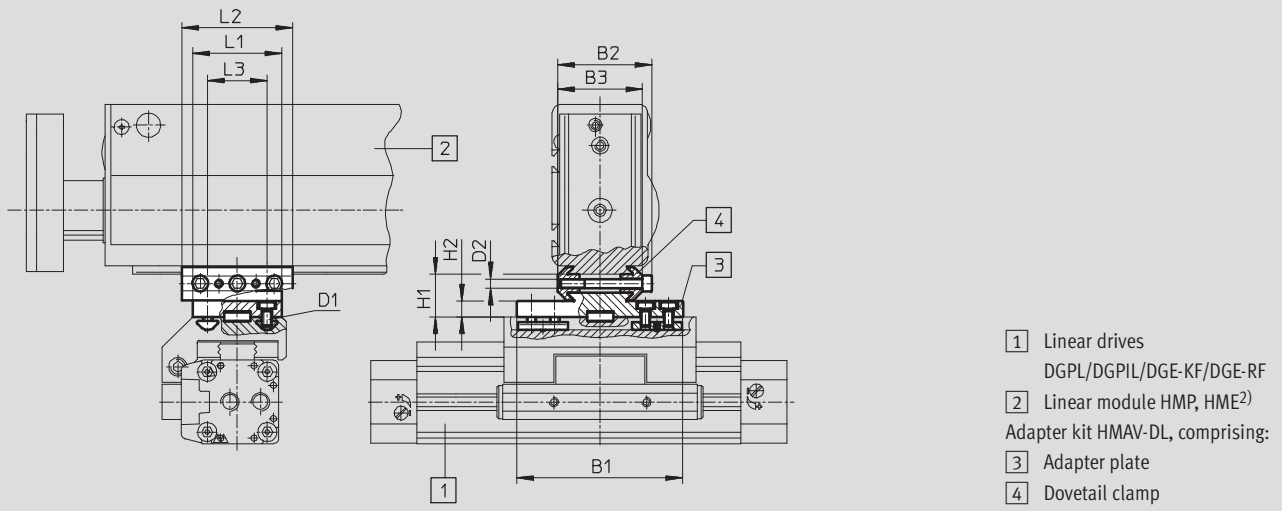


Dovetail mounting

## Dimensions and ordering data

Download CAD data → [www.festo.com](http://www.festo.com)

### Dovetail mounting



- 1 Linear drives  
DGPL/DGPIL/DGE-KF/DGE-RF
- 2 Linear module HMP, HME<sup>2)</sup>
- Adapter kit HMAV-DL, comprising:
- 3 Adapter plate
- 4 Dovetail clamp

Drive	Drive	B1	B2	B3	D1	D2	H1	H2	L1	L2	L3	CRC <sup>1)</sup>	Part No.	Type
DG...-25	HMP-16/20 HME-16 <sup>2)</sup>	90	51	46	M5	M5	23	8.5	48	60	32	2	176 005	HMAV-DL25
DG...-32	HMP-16/20/25 HME-16/25 <sup>2)</sup>								63.5		47		176 006	HMAV-DL32
DG...-40	HMP-20/25/32 HME-16/25 <sup>2)</sup>								78	64	55		176 007	HMAV-DL40

1) Corrosion resistance class 2 as per Festo standard 940 070  
Components subject to moderate corrosion stress. Externally visible parts with primarily decorative surface requirements which are in direct contact with a normal industrial environment or media such as coolants or lubricating agents.

2) HME: Horizontal mounting position, vertical on request

# DG.../HMPL connections

Technical data

## Adapter kit HMAV, HMSV

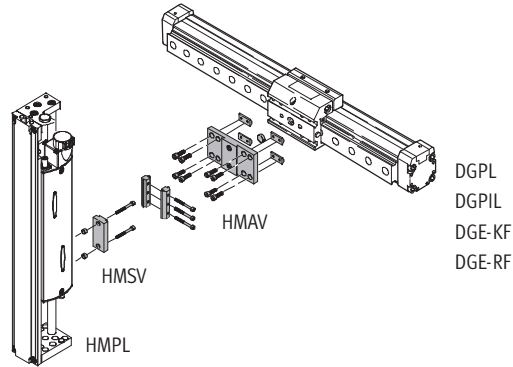
**Material:**

Wrought aluminium alloy, anodised

Centring sleeves: High-alloy steel

Slot nuts: Tempered steel

Free of copper, PTFE and silicone

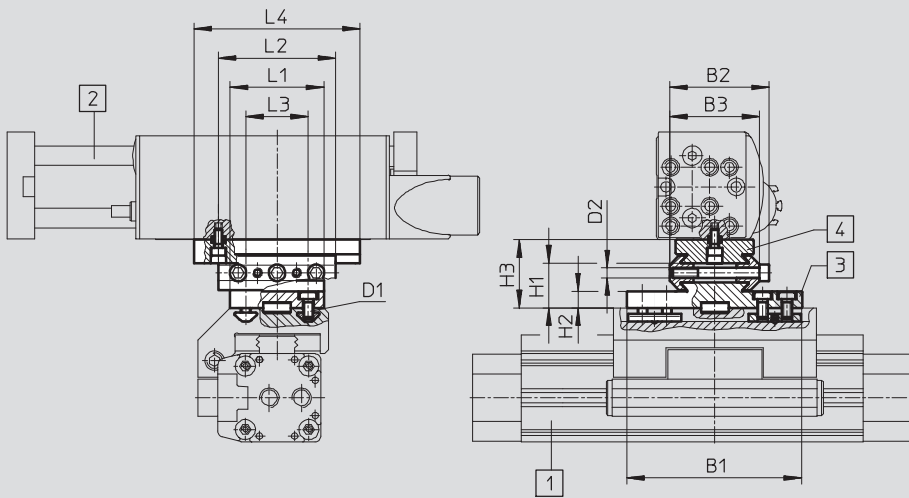


Dovetail mounting

## Dimensions and ordering data

Download CAD data → [www.festo.com](http://www.festo.com)

### Dovetail mounting



- 1 Linear drives  
DGPL/DGPIL/DGE-KF/DGE-RF
- 2 Linear module HMPL
- 3 Adapter kit HMAV-DL
- 4 Adapter kit HMSV-46

Drive	Drive	B1	B2	B3	D1	D2	H1	H2	H3	L1	L2	L3	L4	CRC <sup>1)</sup>	Part No.	Type
DG...-25	HMPL-12/16/20	90	51	46	M5	M5	23	8.5	35	48	60	32	85	2	176 005	HMAV-DL25
										63.5		47			193 923	HMSV-46
DG...-32	HMPL-16/20	90	51	46	M5	M5	23	8.5	35	63.5	60	47	85	2	176 006	HMAV-DL32
										78		55			193 923	HMSV-46
DG...-40	HMPL-20	90	51	46	M5	M5	23	8.5	35	78	64	55	85	2	176 007	HMAV-DL40
										63.5		47			193 923	HMSV-46

1) Corrosion resistance class 2 as per Festo standard 940 070

Components subject to moderate corrosion stress. Externally visible parts with primarily decorative surface requirements which are in direct contact with a normal industrial environment or media such as coolants or lubricating agents.

# DG.../DGSL connections

Technical data

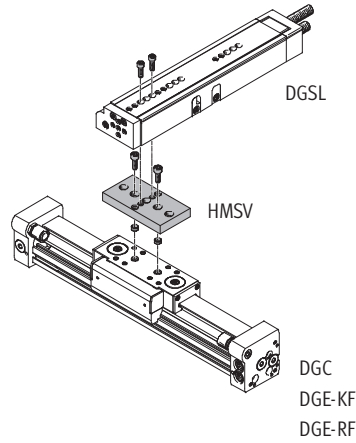
## Adapter kit HMSV

Material:

Wrought aluminium alloy, anodised

Centring sleeves: High-alloy steel

Free of copper, PTFE and silicone

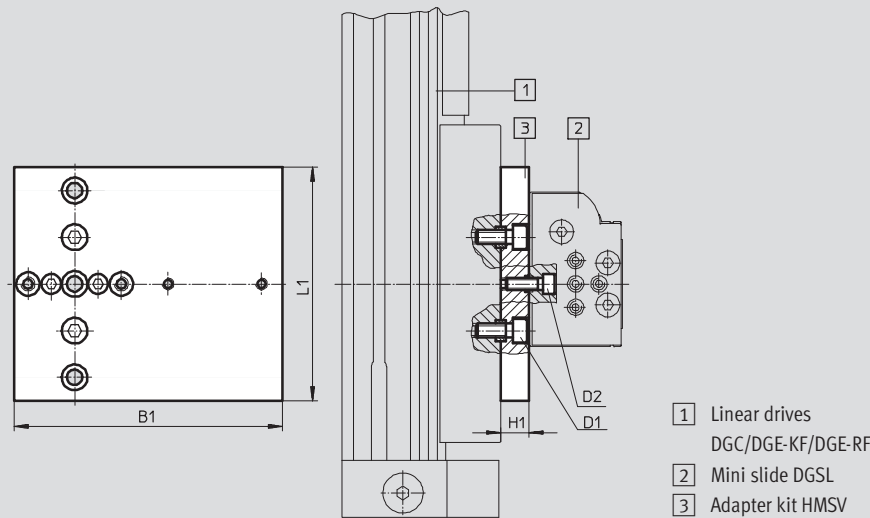


Direct mounting

## Dimensions and ordering data

Download CAD data → [www.festo.com](http://www.festo.com)

Direct mounting



- 1 Linear drives  
DGC/DGE-KF/DGE-RF
- 2 Mini slide DGSL
- 3 Adapter kit HMSV

Drive	Drive	B1	D1	D2	H1	L1	CRC <sup>1)</sup>	Part No.	Type
DGC-8/12	DGSL-4/6	25	M4	M3	6	52	2	548 777	HMSV-47
DGC-18	DGSL-8/10	50	M5	M4	8	60		548 778	HMSV-48
DGC-18	DGSL-12/16	40		M5	12	80		189 657	HMSV-41
DG...-25	DGSL-12/16/20/25	100	M6	M6	13	115		548 781	HMSV-51
DGC-32/40	DGSL-20/25	60				100		548 780	HMSV-50
DGE-40-KF									
DGE-40-RF									

1) Corrosion resistance class 2 as per Festo standard 940 070

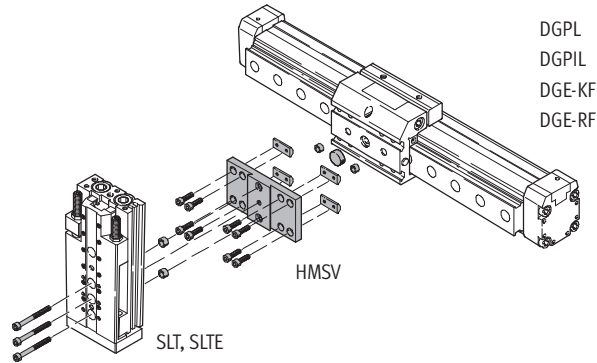
Components subject to moderate corrosion stress. Externally visible parts with primarily decorative surface requirements which are in direct contact with a normal industrial environment or media such as coolants or lubricating agents.

# DG.../SLT, SLTE connections

Technical data

## Adapter kit HMSV

Material:  
 Wrought aluminium alloy, anodised  
 Centring sleeves: High-alloy steel  
 Slot nuts: Tempered steel  
 Free of copper, PTFE and silicone

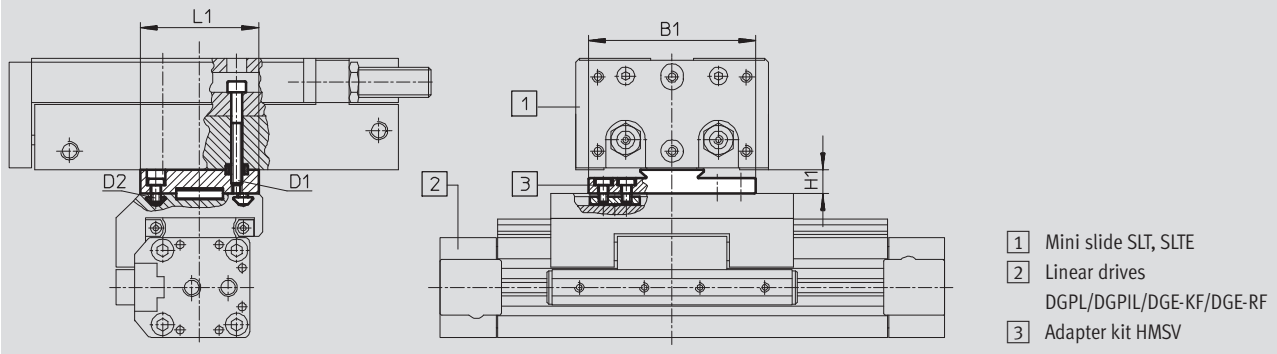


Dovetail mounting

## Dimensions and ordering data

Download CAD data → [www.festo.com](http://www.festo.com)

Dovetail mounting



Drive	Drive	B1	D1	D2	H1	L1	CRC <sup>1)</sup>	Part No.	Type
DG...-18	SLT/SLTE-10	80	M4	M5	12	40	2	189 656	HMSV-40
	SLT/SLTE-16		M5					189 657	HMSV-41
DG...-25	SLT/SLTE-16	90	M6	M5	13	54	2	189 658	HMSV-42
	SLT-20					63.5		189 659	HMSV-43
DG...-32	SLT-20	90	M6	M5	13	63.5	2	189 660	HMSV-44
	SLT-25							189 661	HMSV-45

1) Corrosion resistance class 2 as per Festo standard 940 070  
 Components subject to moderate corrosion stress. Externally visible parts with primarily decorative surface requirements which are in direct contact with a normal industrial environment or media such as coolants or lubricating agents.

# DG.../DRQD connections

Technical data

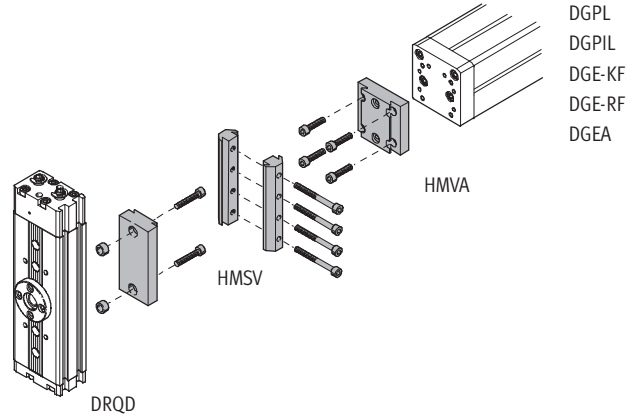
## Adapter kit HMAV, HMSV

Material:

Wrought aluminium alloy, anodised

Centring sleeves: High-alloy steel

Free of copper, PTFE and silicone

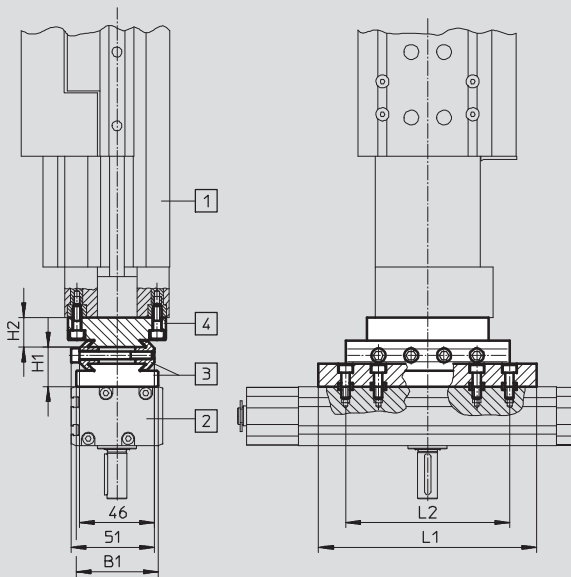


Dovetail mounting

## Dimensions

Download CAD data → [www.festo.com](http://www.festo.com)

Dovetail mounting



- 1 Linear drives  
DGPL/DGPIL/DGE-KF/DGE-RF/  
DGEA
- 2 Semi-rotary drive DRQD
- 3 Adapter kit HMSV
- 4 Adapter kit HMAV

# DG.../DRQD connections

Technical data

Dimensions and ordering data									
Drive	Drive	B1	H1	H2	L1	L2	CRC <sup>1)</sup>	Part No.	Type
Dovetail mounting									
DRQD-B-16/20	DGEA-18	40	22	14	85	80	2	196 788	HMVA-DLA18/25
	DG...-25/32/40							177 656	HMSV-10
DRQD-B-20	DG...-40	40	22	18	85	80		196 790	HMVA-DLA40
								177 656	HMSV-10
DRQD-B-25	DGEA-18	50	24	18	110	100		196 788	HMVA-DLA18/25
	DG...-25							177 657	HMSV-11
								177 649	HMSV-3
	DG...-40							196 790	HMVA-DLA40
		50	24	18	110	100		177 657	HMSV-11
		50	24	18	110	100		177 649	HMSV-3
DRQD-B-32	DG...-40	50	24	18	133	120	196 790	HMVA-DLA40	
							177 663	HMSV-17	
							177 653	HMSV-7	

1) Corrosion resistance class 2 as per Festo standard 940 070  
 Components subject to moderate corrosion stress. Externally visible parts with primarily decorative surface requirements which are in direct contact with a normal industrial environment or media such as coolants or lubricating agents.

# DGEA/ERMB connections

Technical data

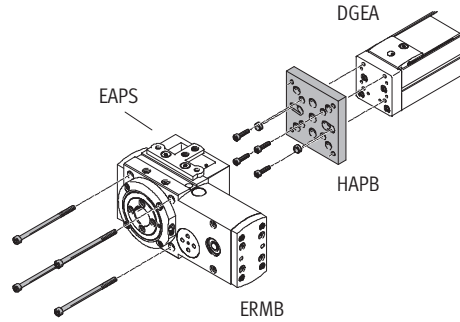
## Adapter kit HAPB

Material:

Wrought aluminium alloy, anodised

Centring sleeves: High-alloy steel

Free of copper, PTFE and silicone

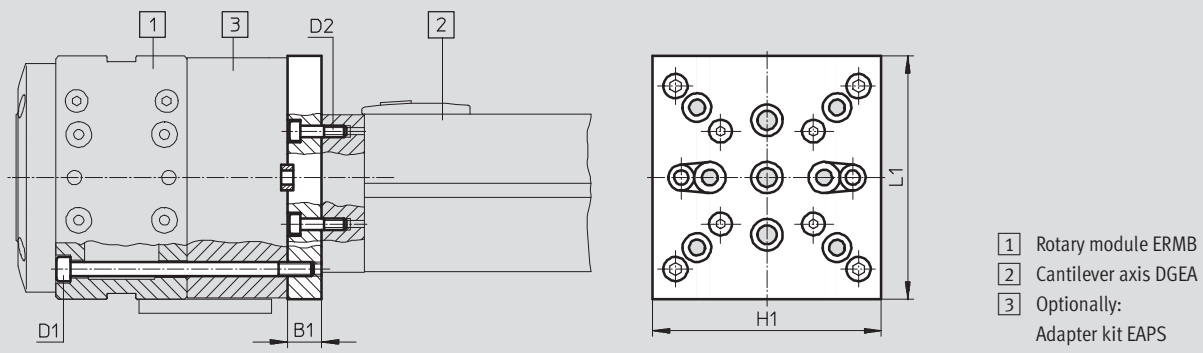


Direct mounting

## Dimensions and ordering data

Download CAD data → [www.festo.com](http://www.festo.com)

Direct mounting



Drive	Drive	Sensing kit	B1	D1	D2	H1	L1	CRC <sup>1)</sup>	Part No.	Type
DGEA-18/25	ERMB-20	EAPS-...-20	17	M4	M4	50	72	2	558 306	HAPB-38
DGEA-25	ERMB-25	EAPS-...-25	12	M5	M4	80	85		558 307	HAPB-39
DGEA-40					M5				558 308	HAPB-40
DGEA-40	ERMB-32	EAPS-...-32	12	M5	M5	100	115			

1) Corrosion resistance class 2 as per Festo standard 940 070

Components subject to moderate corrosion stress. Externally visible parts with primarily decorative surface requirements which are in direct contact with a normal industrial environment or media such as coolants or lubricating agents.



# DG.../DG... connections

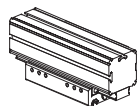
Technical data

## Cross connecting kit HMVK

**Material:**

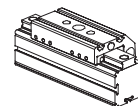
Wrought aluminium alloy, anodised  
 Centring sleeves: High-alloy steel  
 Slot nuts: Tempered steel  
 Free of copper, PTFE and silicone

**Slide/slide mounting**

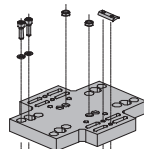


DGPL  
 DGPII  
 DGE-KF  
 DGEA

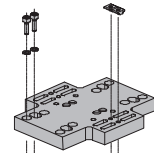
**Slide/profile mounting**



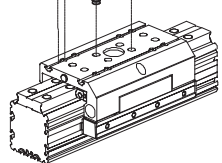
DGPL  
 DGPII  
 DGE-KF



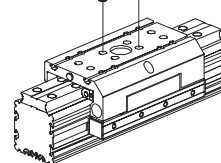
HMVK



HMVK



DGPL  
 DGPII  
 DGE-KF



DGPL  
 DGPII  
 DGE-KF

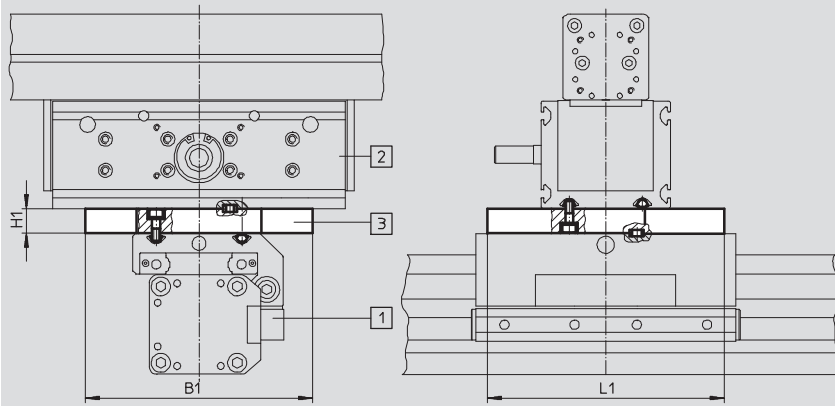
Direct mounting

Direct mounting

## Dimensions and ordering data

Download CAD data → [www.festo.com](http://www.festo.com)

### Direct mounting



- 1 Linear drive DG...
- 2 Linear drive DG...
- 3 Cross connecting kit HMVK

Drive 1	Drive 2	B1	H1	L1	CRC <sup>1)</sup>	Part No.	Type
<b>Direct slide/slide mounting</b>							
DG...-25	DG...-18/25	105	12	105	2	196 779	HMVK-DL25-DL18/25
DG...-32	DG...-25	146	16	152		196 781	HMVK-DL32/40-DLA18-32
DG...-40	DG...-25/32						
DG...-40	DGEA-18/25						
DG...-63	DG...-40	192	23	230		196 783	HMVK-DL63-DLA25/40
DG...-63	DGEA-25/40						
<b>Direct slide/profile mounting</b>							
DG...-18	DG...-18	105	12	105	2	196 780	HMVK-DL18/25-DL-18/25
DG...-25	DG...-25						
DG...-32/40	DG...-25	192	23	230	2	196 782	HMVK-DL32/40-DL25
DG...-40	DG...-32/40	146	16	152	2	196 781	HMVK-DL-32/40-DLA18-32

1) Corrosion resistance class 2 as per Festo standard 940 070  
 Components subject to moderate corrosion stress. Externally visible parts with primarily decorative surface requirements which are in direct contact with a normal industrial environment or media such as coolants or lubricating agents.

# DG.../DFM connections

Technical data

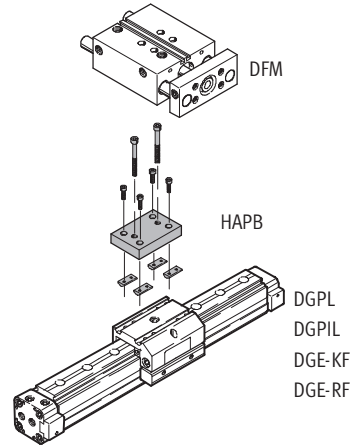
## Adapter kit HAPB

Material:

Wrought aluminium alloy, anodised

Slot nuts: Tempered steel

Free of copper, PTFE and silicone

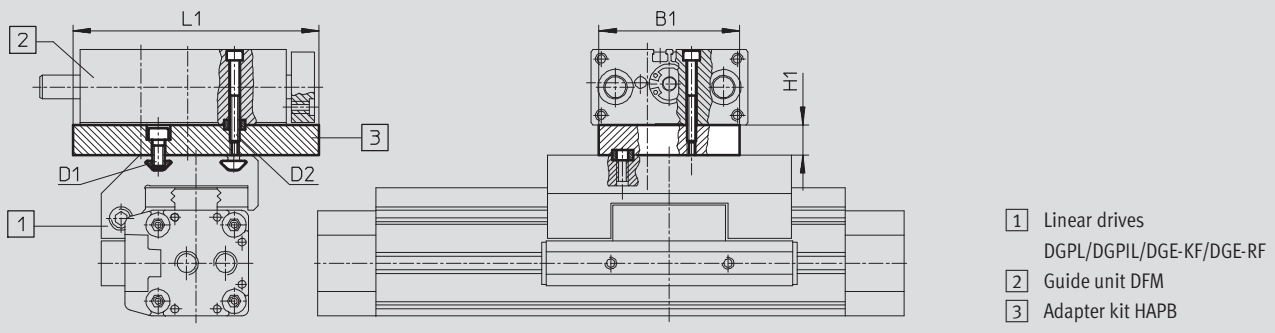


Direct mounting

## Dimensions and ordering data

Download CAD data → [www.festo.com](http://www.festo.com)

Direct mounting



- 1 Linear drives  
DGPL/DGPIL/DGE-KF/DGE-RF
- 2 Guide unit DFM
- 3 Adapter kit HAPB

Drive	Drive	B1	D1	D2	H1	L1	CRC <sup>1)</sup>	Part No.	Type
DG...-25	DFM-12/16	60	M5	M4	13	105	2	192 690	HAPB-12/16
DG...-32	DFM-20/25	83		M5		115		192 691	HAPB-20/25
DG...-40	DFM-32/40	110		M6	15	132		192 692	HAPB-32/40

1) Corrosion resistance class 2 as per Festo standard 940 070

Components subject to moderate corrosion stress. Externally visible parts with primarily decorative surface requirements which are in direct contact with a normal industrial environment or media such as coolants or lubricating agents.

# DG.../DSL connections

Technical data

## Adapter kit HAPB, connecting kit HAVB

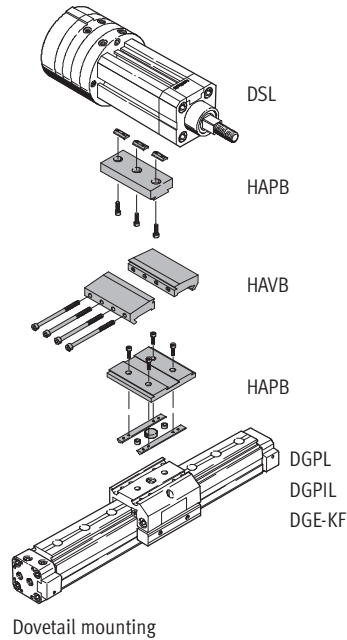
**Material:**

Wrought aluminium alloy, anodised

Centring sleeves: High-alloy steel

Slot nuts: Tempered steel

Free of copper, PTFE and silicone



Ordering data			Download CAD data → <a href="http://www.festo.com">www.festo.com</a>	
Drive	Drive	CRC <sup>1)</sup>	Part No.	Type <sup>2)</sup>
Dovetail mounting				
DG...-25	DSL-16/20	2	163 214	HAPB-15
			163 244	HAVB-8
			163 202	HAPB-3
DSL-25	163 215		HAPB-16	
	163 244		HAVB-8	
			163 202	HAPB-3
DG...-32	DSL-20		163 214	HAPB-15
			163 244	HAVB-8
			163 203	HAPB-4
	DSL-25/32		163 215	HAPB-16
			163 244	HAVB-8
			163 203	HAPB-4
DG...-40	DSL-25/32		163 215	HAPB-16
			163 244	HAVB-8
			163 204	HAPB-5

1) Corrosion resistance class 2 as per Festo standard 940 070

Components subject to moderate corrosion stress. Externally visible parts with primarily decorative surface requirements which are in direct contact with a normal industrial environment or media such as coolants or lubricating agents.

2) Dimensions from → 36

# Drive/drive connectors

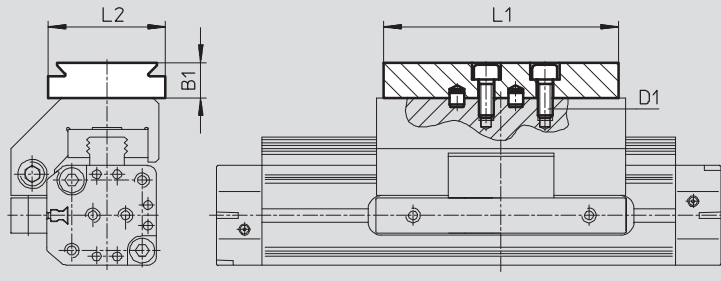
Technical data

FESTO

## Dimensions

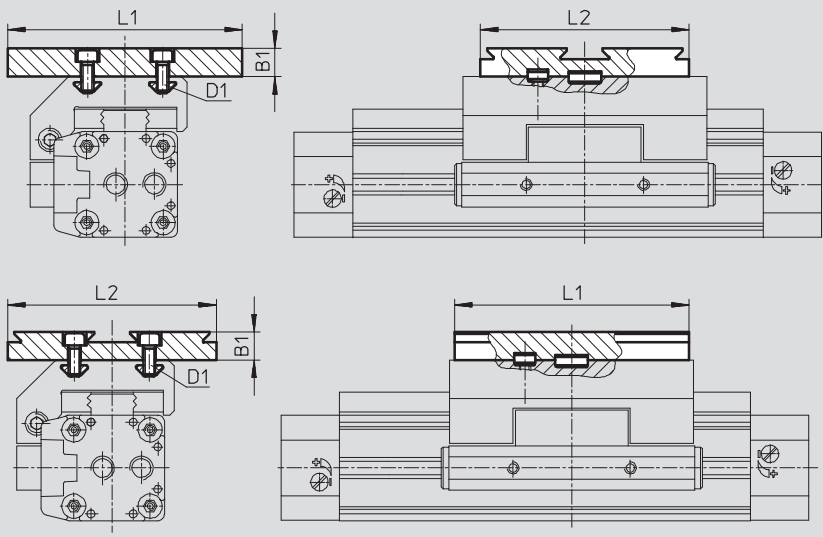
Download CAD data → [www.festo.com](http://www.festo.com)

### Dovetail mounting



Type	B1	D1	L1	L2	CRC <sup>1)</sup>
HAPB-2		M5	80		2

### Dovetail mounting



Type	B1	D1	L1	L2	CRC <sup>1)</sup>
HAPB-3					2
HAPB-4	12	M5	100	89	2
HAPB-5					2

1) Corrosion resistance class 2 as per Festo standard 940 070

Components subject to moderate corrosion stress. Externally visible parts with primarily decorative surface requirements which are in direct contact with a normal industrial environment or media such as coolants or lubricating agents.

# Drive/drive connectors

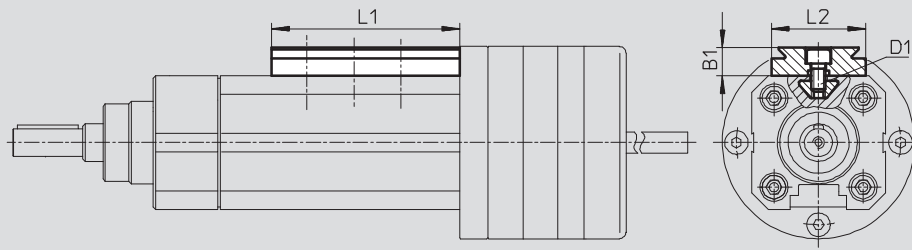
Technical data

FESTO

## Dimensions

Download CAD data → [www.festo.com](http://www.festo.com)

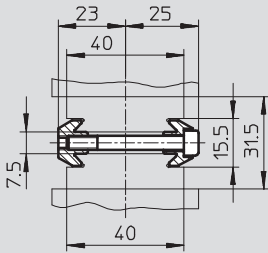
### Dovetail mounting



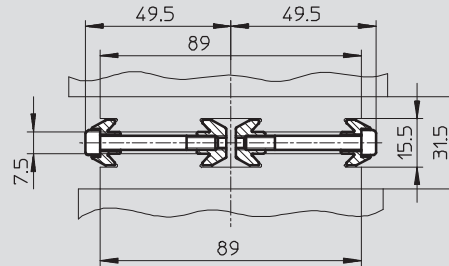
Type	B1	D1	L1	L2	CRC <sup>1)</sup>
HAPB-15	12	M5	80	40	2
HAPB-16		M6			2

### Dovetail mounting

#### Assembly of two adapter kits with one connecting kit



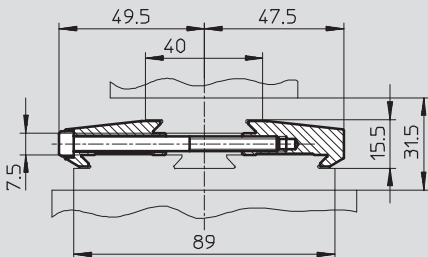
#### Assembly of two adapter kits with two connecting kits



Type	Length L1 <sup>1)</sup> [mm]	CRC <sup>2)</sup>
HAVB-3	60	2
HAVB-5	100	2

### Dovetail mounting

#### Assembly of two adapter kits with one connecting kit



Type	Length L1 <sup>1)</sup> [mm]	CRC <sup>2)</sup>
HAVB-8	80	2

1) Length of the connecting kit; compare with length L1 of the adapter kits HAPB.

2) Corrosion resistance class 2 as per Festo standard 940 070

Components subject to moderate corrosion stress. Externally visible parts with primarily decorative surface requirements which are in direct contact with a normal industrial environment or media such as coolants or lubricating agents.

# EGSA/EGSA connections

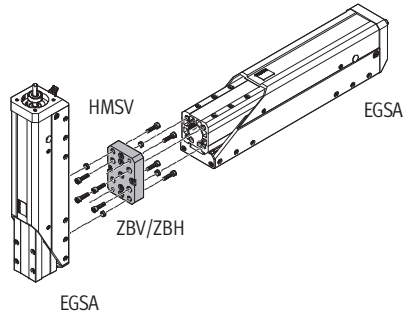
Technical data

## Adapter kit HMSV

Material:

Centring sleeves and connecting sleeves: High-alloy steel

Free of copper, PTFE and silicone

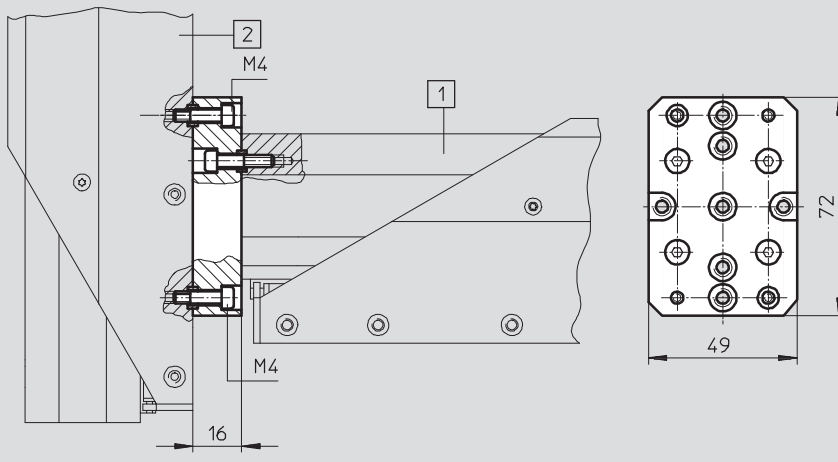


Direct mounting

## Dimensions and ordering data

Download CAD data → [www.festo.com](http://www.festo.com)

Direct mounting



- 1 Spindle driven cantilever axis EGSA
- 2 Spindle driven cantilever axis EGSA
- 3 Connecting sleeve ZBV
- 4 Adapter plate HMSV

Drive	Drive	CRC <sup>1)</sup>	Part No.	Type
1	2			
EGSA-60	EGSA-50	2	560 019	HMSV-63

1) Corrosion resistance class 2 as per Festo standard 940 070

Components subject to moderate corrosion stress. Externally visible parts with primarily decorative surface requirements which are in direct contact with a normal industrial environment or media such as coolants or lubricating agents.

# EGSA/DGSL connections

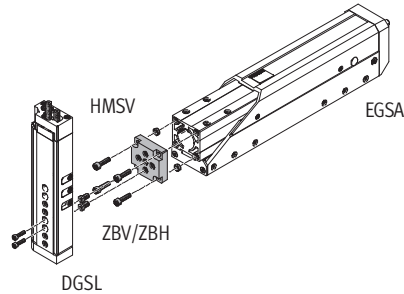
Technical data

## Adapter kit HMSV

Material:

Centring sleeves and connecting sleeves: High-alloy steel

Free of copper, PTFE and silicone

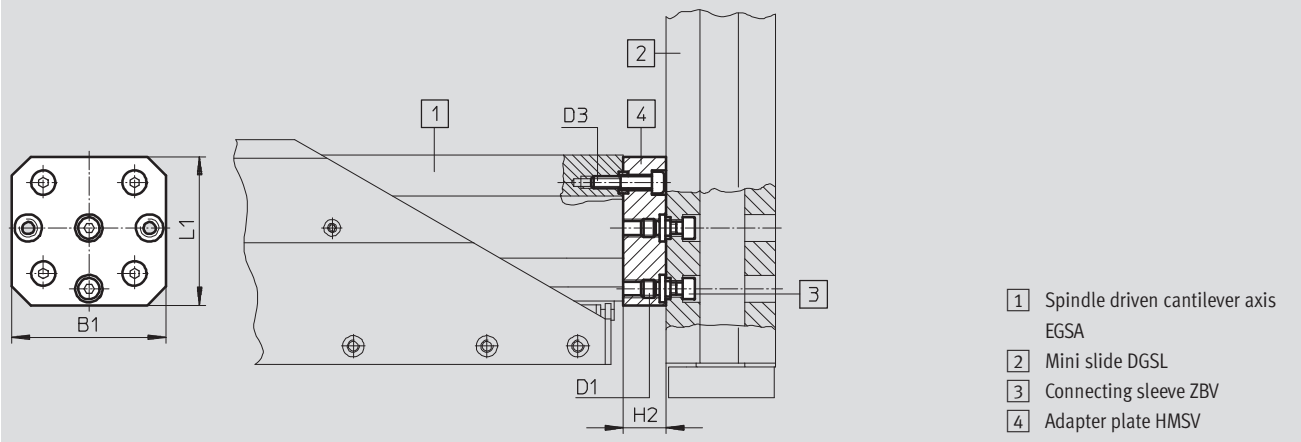


Direct mounting

## Dimensions and ordering data

Download CAD data → [www.festo.com](http://www.festo.com)

Direct mounting



- 1 Spindle driven cantilever axis EGSA
- 2 Mini slide DGSL
- 3 Connecting sleeve ZBV
- 4 Adapter plate HMSV

Drive	Drive	B1	D1	D3	H2	L1	Part No.	Type	Part No.	Type	Required quantity	PU <sup>3)</sup>
EGSA-50	DGSL-8/-10	40	M5	M4	12	38	560 017	HMSV-61	548 803	ZBV-M5-7	1	3
EGSA-50	DGSL-12						560 017	HMSV-61	-	M5x16 <sup>1)</sup>	3	-
EGSA-50	DGSL-16						186 717	ZBH-7 <sup>2)</sup>	3	10		
EGSA-60	DGSL-12/-16	51	M6	M4	14	49	560 017	HMSV-61	-	M5x18 <sup>1)</sup>	3	-
EGSA-60	DGSL-20						186 717	ZBH-7 <sup>2)</sup>	3	10		
EGSA-60	DGSL-12/-16	51	M6	M4	14	49	560 018	HMSV-62	548 804	ZBV-M6-9	1	3
EGSA-60	DGSL-20						560 018	HMSV-62	-	M6x20 <sup>1)</sup>	3	-
									150 927	ZBH-9 <sup>2)</sup>	3	10

1) The screws listed are not included in the scope of delivery of the drives

2) The centring sleeves are included in the scope of delivery of the drives

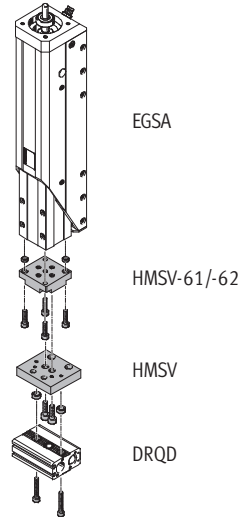
3) Packaging unit quantity

# EGSA/DRQD connections

Technical data

## Adapter kit HMSV

Material:  
Wrought aluminium alloy, anodised  
Centring sleeves: High-alloy steel  
Free of copper, PTFE and silicone

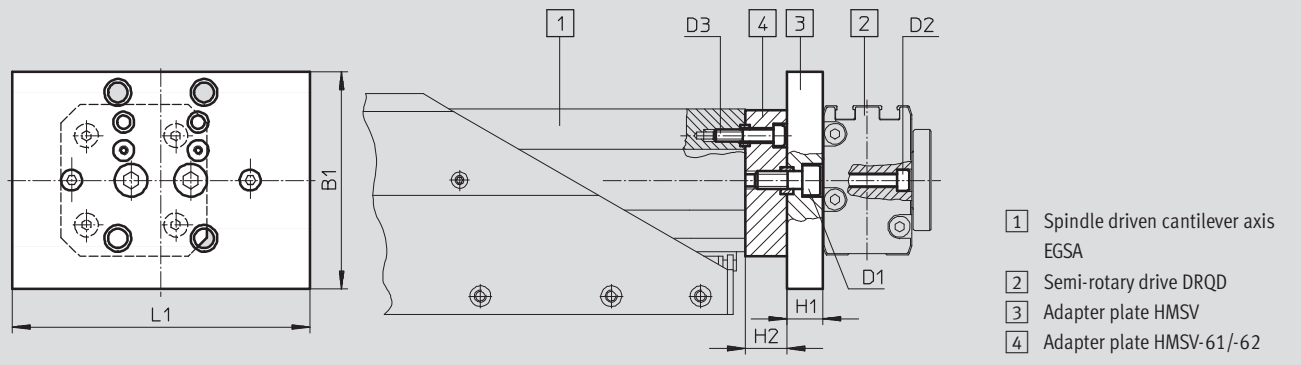


Direct mounting

## Dimensions and ordering data

Download CAD data → [www.festo.com](http://www.festo.com)

Direct mounting



Drive	Drive	B1	D1	D2	D3	H1	H2	L1
EGSA-50	DRQD-8/12	43.5	M5	M4	M4	10	12	50
EGSA-60	DRQD-B-16/20	73	M6	M4	M4	12	14	100

Drive	Drive	CRC <sup>1)</sup>	Part No.	Type	Part No.	Type
EGSA-50	DRQD-8/12	2	560 017	HMSV-61	548 785	HMSV-55
EGSA-60	DRQD-B-16/20		560 018	HMSV-62	548 786	HMSV-56

1) Corrosion resistance class 2 as per Festo standard 940 070  
Components subject to moderate corrosion stress. Externally visible parts with primarily decorative surface requirements which are in direct contact with a normal industrial environment or media such as coolants or lubricating agents.



# EGSA/ERMB connections

Technical data

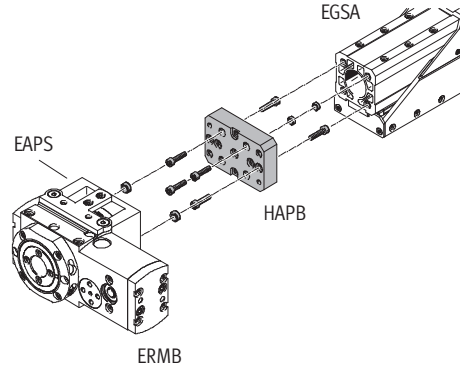
## Adapter kit HAPB

Material:

Wrought aluminium alloy, anodised

Centring sleeves: High-alloy steel

Free of copper, PTFE and silicone

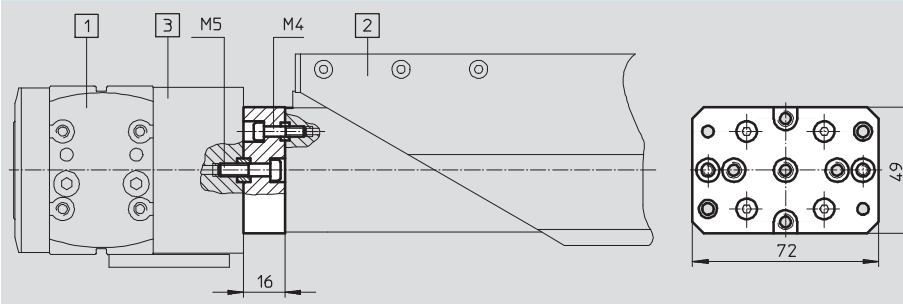


Direct mounting

## Dimensions and ordering data

Download CAD data → [www.festo.com](http://www.festo.com)

Direct mounting



- 1 Rotary module ERMB
- 2 Spindle driven cantilever axis EGSA
- 3 Optionally: Adapter kit EAPS

Drive	Drive	Sensing kit	CRC <sup>1)</sup>	Part No.	Type
EGSA-60	ERMB-20	EAPS-20	2	–	M5x20 DIN 912 <sup>2)</sup>
				560 019	HMSV-63

- 1) Corrosion resistance class 2 as per Festo standard 940 070  
Components subject to moderate corrosion stress. Externally visible parts with primarily decorative surface requirements which are in direct contact with a normal industrial environment or media such as coolants or lubricating agents.
- 2) Two screws are required. The screws are not included in the scope of delivery

# EGSA/HMP connections

Technical data

## Adapter kit HMSV

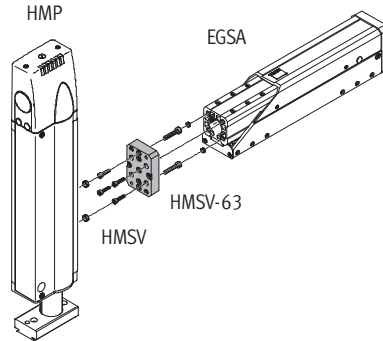
**Material:**

Wrought aluminium alloy, anodised

Centring sleeves: High-alloy steel

Slot nuts: Tempered steel

Free of copper, PTFE and silicone

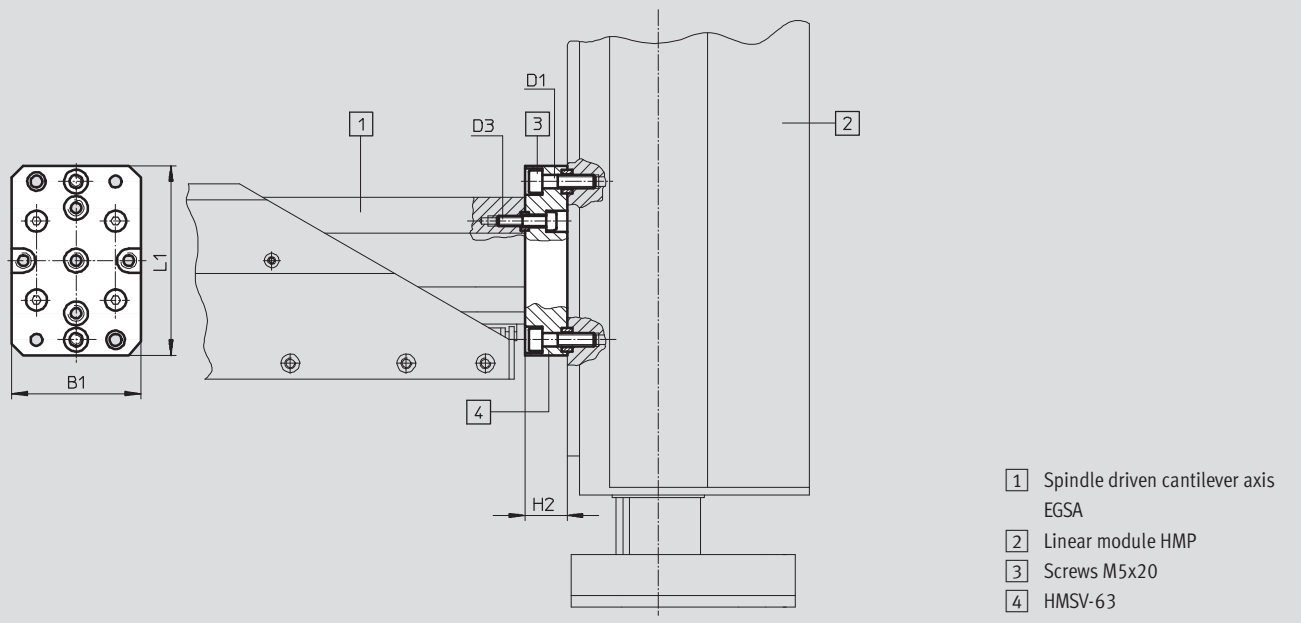


Direct mounting

## Dimensions and ordering data

Download CAD data → [www.festo.com](http://www.festo.com)

### Direct mounting



Drive	Drive	B1	D1	D3	H2	L1	CRC <sup>1)</sup>	Part No.	Type	Part No.	Type	Required quantity	PU <sup>3)</sup>
EGSA-60	HMP-16	49	M5	M4	16	72	2	560 019	HMSV-63	-	M5x20 <sup>2)</sup>	2	-
										150 927	ZBH-9 <sup>2)</sup>	2	10

1) Corrosion resistance class 2 as per Festo standard 940 070  
 Components subject to moderate corrosion stress. Externally visible parts with primarily decorative surface requirements which are in direct contact with a normal industrial environment or media such as coolants or lubricating agents.

2) The screws and centring sleeves listed are not included in the scope of delivery of the drives

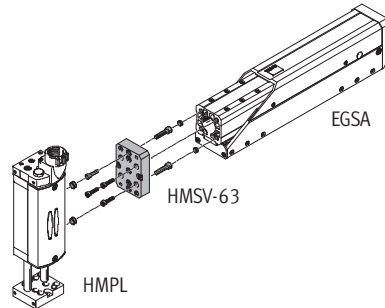
3) Packaging unit quantity

# EGSA/HMPL connections

Technical data

## Adapter kit HMSV

Material:  
Wrought aluminium alloy, anodised  
Centring sleeves: High-alloy steel  
Free of copper, PTFE and silicone

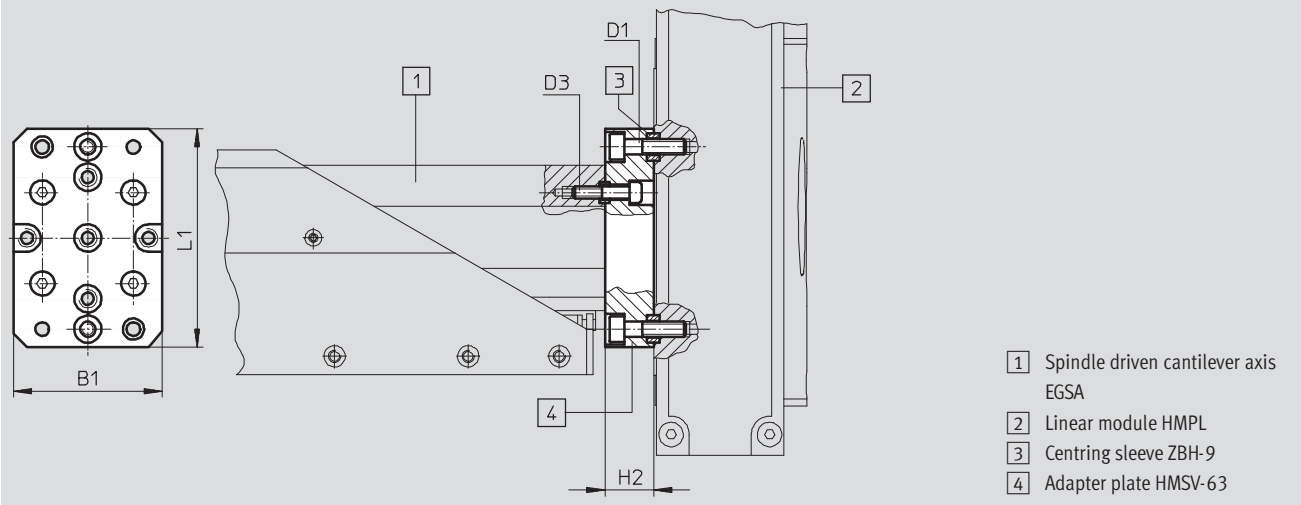


Direct mounting

## Dimensions and ordering data

Download CAD data → [www.festo.com](http://www.festo.com)

Direct mounting



Drive	Drive	B1	D1	D3	H2	L1
EGSA-60	HMPL-12/16/20	49	M5	M4	16	72

Drive	Drive	CRC <sup>1)</sup>	Part No.	Type	Part No.	Type	Required quantity	PU <sup>3)</sup>
EGSA-60	HMPL-12/16/20	2	560 019	HMSV-63	-	M5x18 DIN 912 <sup>2)</sup>	2	-
					150 927	ZBH-9	2	10

1) Corrosion resistance class 2 as per Festo standard 940 070  
Components subject to moderate corrosion stress. Externally visible parts with primarily decorative surface requirements which are in direct contact with a normal industrial environment or media such as coolants or lubricating agents.  
2) The screws listed are not included in the scope of delivery of the drives  
3) Packaging unit quantity

# DPZ, SPZ/DPZ, SPZ connections

Technical data



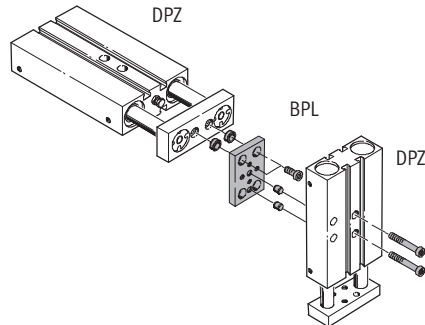
## Adapter plate BPL

Material:

Wrought aluminium alloy, anodised

Centring sleeves: High-alloy steel

Free of copper, PTFE and silicone



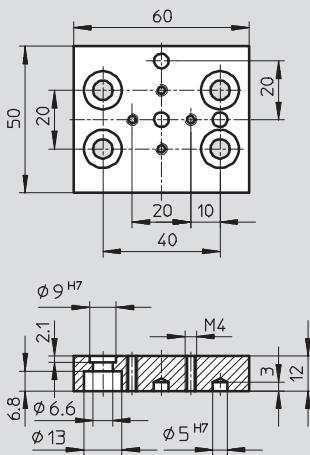
Direct mounting

## Dimensions and ordering data

Download CAD data → [www.festo.com](http://www.festo.com)

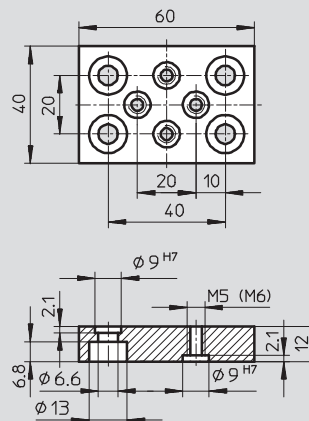
Direct mounting

BPL-1



BPL-2

BPL-3 (dimensions in brackets)



Drive	Drive	CRC <sup>1)</sup>	Part No.	Type
DPZ/SPZ-20/25/32	DPZ/SPZ-10/16	2	<b>150 929</b>	<b>BPL-1</b>
DPZ/SPZ-20/25/32	DPZ/SPZ-20		<b>150 930</b>	<b>BPL-2</b>
DPZ/SPZ-25/32	DPZ/SPZ-25		<b>150 931</b>	<b>BPL-3</b>
DPZ/SPZ-32	DPZ/SPZ-32			

1) Corrosion resistance class 2 as per Festo standard 940 070

Components subject to moderate corrosion stress. Externally visible parts with primarily decorative surface requirements which are in direct contact with a normal industrial environment or media such as coolants or lubricating agents.