

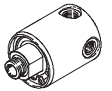
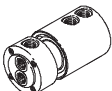
Rotary distributors GF



Rotary distributors GF

Product range overview



Design	Version	Type	Connection D1	Connection D2	Max. speed [rpm]	→ Page/ Internet
				Outlet		
Simple		GF	G $\frac{1}{8}$	M5	3000	4
			G $\frac{1}{4}$	G $\frac{1}{8}$		
			G $\frac{1}{2}$	G $\frac{1}{4}$	2500	
Multiple		GF	G $\frac{1}{8}$	G $\frac{1}{8}$	300	5
			G $\frac{1}{4}$	G $\frac{1}{4}$		
			G $\frac{1}{2}$	G $\frac{1}{2}$		

Rotary distributors GF

Type codes

	GF	–	1/8	–	M5
Basic function					
GF	Rotary distributor, single				
Pneumatic connection					
1/8	Thread G1/8				
1/4	Thread G1/4				
1/2	Thread G1/2				
Pneumatic connection at outlets					
M5	Thread M5				
1/8	Thread G1/8				
1/4	Thread G1/4				

	GF	–	1/8	–	2
Basic function					
GF	Rotary distributor, multiple				
Pneumatic connection					
1/8	Thread G1/8				
1/4	Thread G1/4				
1/2	Thread G1/2				
Number of air throughfeeds					
2	Air throughfeed				

Rotary distributors GF

Technical data

FESTO

Rotary distributor GF, single
4 outlets

Temperature range
-10 ... +80 °C

Pressure
-0.95 ... +10 bar

Materials:
Housing: Brass
Shaft: High-alloy steel

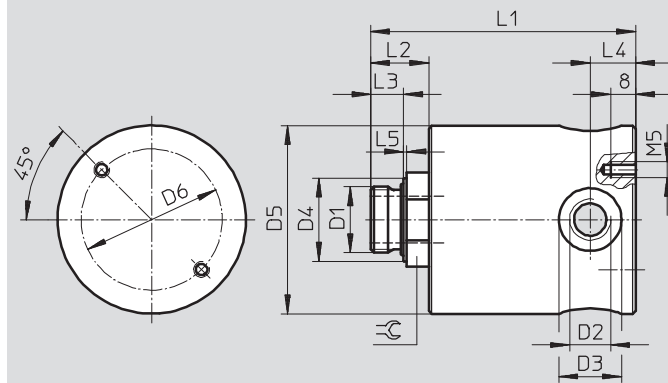


Technical data				
Pneumatic connection		G $\frac{1}{8}$	G $\frac{1}{4}$	G $\frac{1}{2}$
Operating medium		Filtered compressed air		
Standard flow rate 1 \rightarrow 2.1	[l/min]	490	1730	4050
Standard flow rate 1 \rightarrow 2.X	[l/min]	2250	4050	14130
Operating pressure	[bar]	-0.95 ... +10		
Ambient temperature	[°C]	-10 ... +80		
Assembly position		Any		
Corrosion resistance class	[CRC] ¹⁾	1		
Max. speed	[rpm]	3000	3000	2500
Max. tightening torque	[Nm]	10	15	40
Product weight	[g]	400	370	1190

1) Corrosion resistance class 1 according to Festo standard 940 070
Components requiring low corrosion resistance. Transport and storage protection. Parts that do not have primarily decorative surface requirements, e.g. in internal areas that are not visible or behind covers.

Dimensions and ordering data

Download CAD data [→ www.festo.com](http://www.festo.com)



Pneumatic connection	Pneumatic connection at outlets	Nominal size	D3	D4	D5	D6	L1
D1	D2	[mm]	∅	∅	∅	∅	
G $\frac{1}{8}$	M5	6	9	14.5	40	30	64
G $\frac{1}{4}$	G $\frac{1}{8}$	8	16	17	40	30	65.5
G $\frac{1}{2}$	G $\frac{1}{4}$	15	20	26.5	60	45	90



Pneumatic connection	L2	L3	L4	L5	⌀	Part No.	Type
D1							
G $\frac{1}{8}$	15.5	6.5	7	1	17	539290	GF- $\frac{1}{8}$ -M5
G $\frac{1}{4}$	17	8	9.5	1.5	17	539291	GF- $\frac{1}{4}$ - $\frac{1}{8}$
G $\frac{1}{2}$	24	10.5	14.5	1.5	27	539292	GF- $\frac{1}{2}$ - $\frac{1}{4}$

Rotary distributors GF

Technical data

FESTO

Rotary distributor GF, multiple
2 axial and radial outlets

-  - Temperature range
-10 ... +80 °C
-  - Pressure
-0.95 ... +10 bar

Materials:
Housing: Brass
Shaft: High-alloy steel

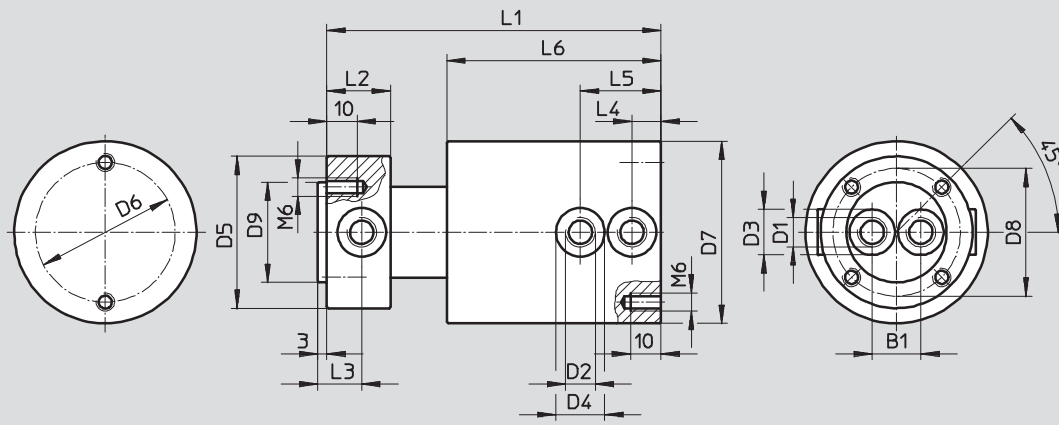


Technical data			
Pneumatic connection	G $\frac{1}{8}$	G $\frac{1}{4}$	G $\frac{1}{2}$
Operating medium	Filtered compressed air		
Standard flow rate 1.1 \rightarrow 2.1 [l/min]	720	1250	4440
Standard flow rate 1.2 \rightarrow 2.2 [l/min]	1050	2020	7380
Operating pressure [bar]	-0.95 ... +10		
Ambient temperature [°C]	-10 ... +80		
Assembly position	Any		
Corrosion resistance class [CRC] ¹⁾	1		
Max. speed [rpm]	300		
Max. tightening torque [Nm]	10	15	40
Product weight [g]	1770	2950	7380

1) Corrosion resistance class 1 according to Festo standard 940 070
Components requiring low corrosion resistance. Transport and storage protection. Parts that do not have primarily decorative surface requirements, e.g. in internal areas that are not visible or behind covers.

Dimensions and ordering data

Download CAD data [→ www.festo.com](http://www.festo.com)



Pneumatic connection	Pneumatic connection at outlets	Nominal size	B1	D3 ∅	D4 ∅	D5 ∅	D6 ∅	D7 ∅	D8 ∅
D1	D2	[mm]						-1	
G $\frac{1}{8}$	G $\frac{1}{8}$	4.1	16	15	16	50	46	60	42
G $\frac{1}{4}$	G $\frac{1}{4}$	8	20	19	20	65	46	70	50
G $\frac{1}{2}$	G $\frac{1}{2}$	12.75	30	28	28	90	65	95	78

Pneumatic connection	D9 ∅ f7	L1	L2	L3	L4	L5	L6	Part No.	Type
D1									
G $\frac{1}{8}$	33	113	21	14.5	9.5	26.5	70.5	539287	GF- $\frac{1}{8}$ -2
G $\frac{1}{4}$	40	131	28	19.5	13.5	34.5	81.5	539288	GF- $\frac{1}{4}$ -2
G $\frac{1}{2}$	65	174	39	25.5	17.5	49.5	112	539289	GF- $\frac{1}{2}$ -2