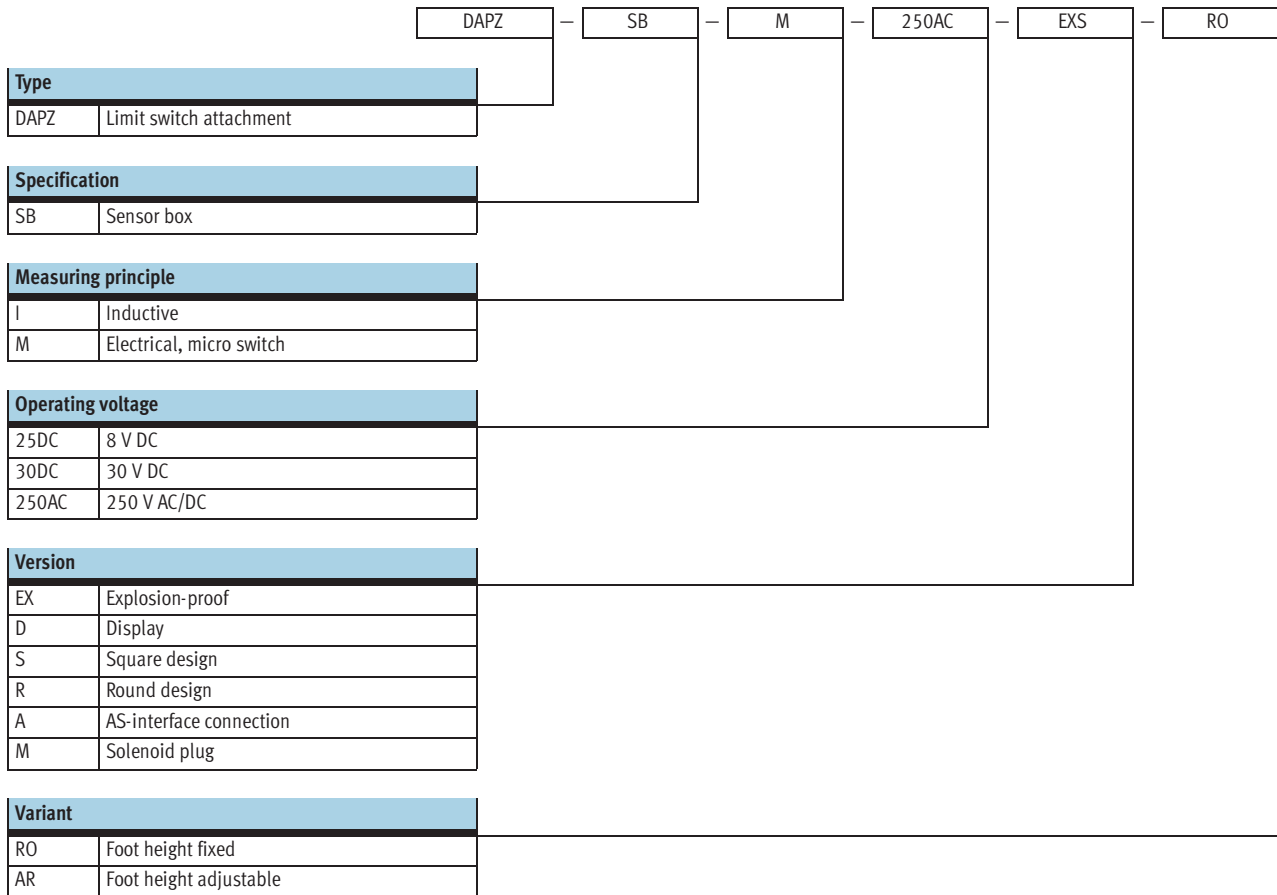


Limit switch attachments



Limit switch attachments DAPZ

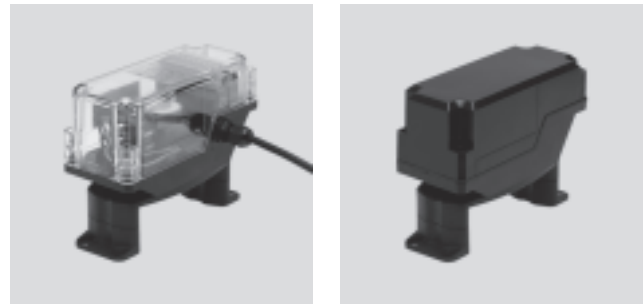
Type codes



Limit switch attachments DAPZ, square design

Technical data

- Drive interface to Namur VDI/VDE 3845
- Quick and easy assembly and connection
- Integrated solenoid valve actuation
- DAPZ-SB-I-... with AS-interface



General technical data	DAPZ-SB-M-250AC-DSM-RO	DAPZ-SB-M-250AC-EXS-RO	DAPZ-SB-I-30DC-DSAM-RO
Measuring principle	Mechanical, electrical	Mechanical, electrical	Inductive
Based on standard	EN 60947-5-1	EN 60947-5-1	EN 60947-5-6
	VDI/VDE 3845 (NAMUR)		
Design	Square		
Mounting position	Any		
Protection against short circuit	No	No	Yes
Switching element function	Changeover switch	Changeover switch	Normally closed contact
Protection against reverse polarity	No	No	For all electrical connections
Switching position display	No	No	No
Operating voltage range	Direct current DC [V]	0 ... 250	–
	Alternating current AC [V]	0 ... 250	–
Nominal operating voltage DC [V]	–	–	30
Insulation voltage [V]	250	250	50
Surge capacity [kV]	4	4	0.8
Max. output current [mA]	16,000	4,000	–
Electrical connection	Screw terminal	Screw terminal	–
Fieldbus interface	–	–	AS-interface: flat cable plug
Cable diameter [mm]	8 ... 13	8 ... 13	–
Cable connector	M20	M20	–

Operating and environmental conditions	DAPZ-SB-M-250AC-DSM-RO	DAPZ-SB-M-250AC-EXS-RO	DAPZ-SB-I-30DC-DSAM-RO
Ambient temperature [°C]	–20 ... +85 °C	–20 ... +60 °C	–20 ... +85 °C
Protection class	IP65		
CE marking (see declaration of conformity)	To EU Low Voltage Directive	To EU Explosion Protection Directive (ATEX)	–
ATEX category for gas	–	II 2G	–
Explosion ignition protection type for gas	–	Ex ed IIC T6	–
Explosion-proof temperature rating	–	–20 °C ≤ Ta ≤ +60 °C	–
Certificate issuing authority	–	PTB 05 ATEX 1087	–
Degree of contamination	3		
Corrosion resistance class CRC ¹⁾	2		

1) Corrosion resistance class 2 according to Festo standard 940 070
 Components subject to moderate corrosion stress. Externally visible parts with primarily decorative surface requirements which are in direct contact with a normal industrial environment or media such as coolants or lubricating agents.

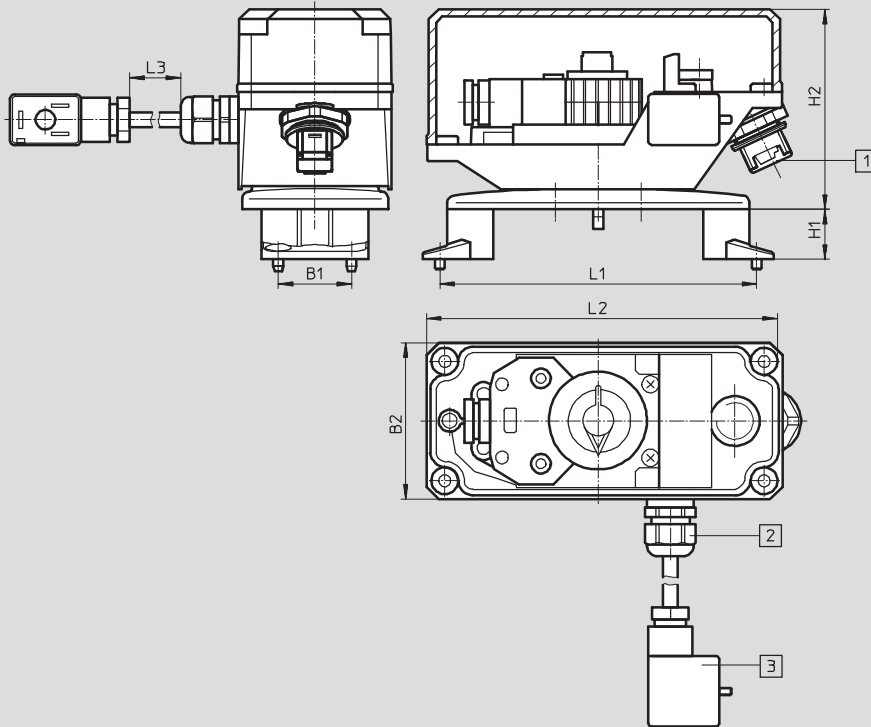
Materials	DAPZ-SB-M-250AC-DSM-RO	DAPZ-SB-M-250AC-EXS-RO	DAPZ-SB-I-30DC-DSAM-RO
1) Housing cover	PC	PA	PC
2) Housing socket, bracket	PA	PA	PA
3) Seals	EPDM		
– Note on materials	RoHS-compliant		

Limit switch attachments DAPZ, square design

Technical data

Dimensions – DAPZ-SB-I-30 V/DC-...

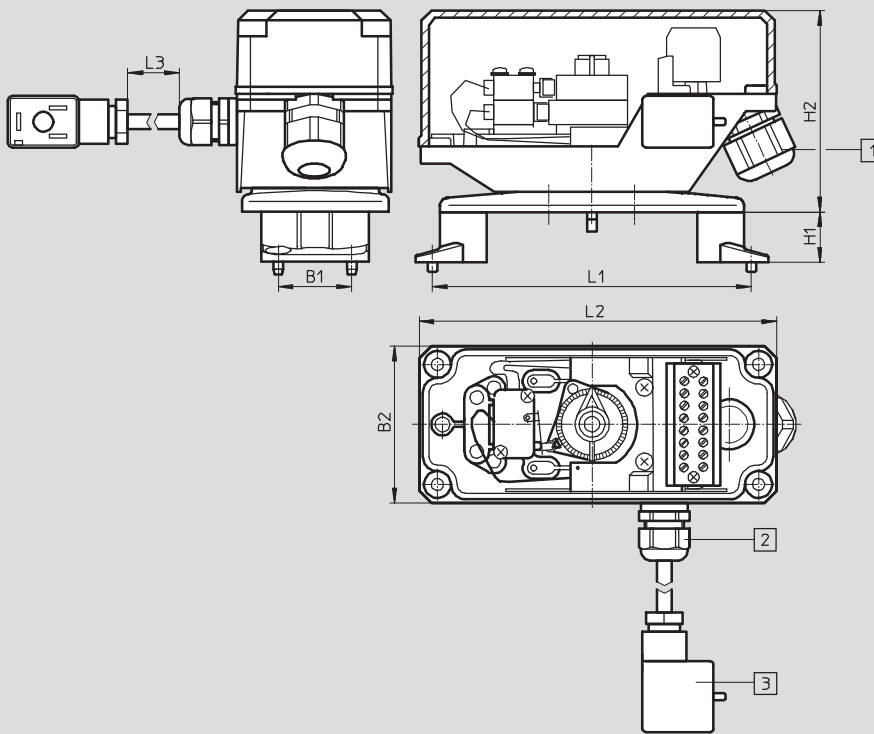
Download CAD data → www.festo.com



- 1 Connection for AS-interface flat cable
- 2 Cable connector M12x1.5
- 3 Solenoid plug

Dimensions – DAPZ-SB-M-250 V/AC-...

Download CAD data → www.festo.com



- 1 Cable connector M20x1.5
- 2 Cable connector M12x1.5
- 3 Solenoid plug

Limit switch attachments DAPZ, square design

Technical data

	B1	B2	H1	H2	L1	L2	L3
Feet mounted inwards							
Foot 20	30	64	20	80	80	145	300
Foot 30	30	64	30	80	80	145	300
Foot 50 (order accessories separately)	30	64	50	80	80	145	300
Feet mounted outwards							
Foot 20	30	64	20	80	130	145	300
Foot 30	30	64	30	80	130	145	300
Foot 50 (order accessories separately)	30	64	50	80	130	145	300
Mounting via adapter (order accessories separately) → 10							
DAPZ-SBZ-K0-RO	25	64	20	80	50	145	300
DAPZ-SBZ-K3-RO	30	64	30	80	150	145	300

Ordering data				
Sensing type	Variant	Measuring principle	Part No.	Type
Mechanical	Basic version	Mechanical, electrical	534 468	DAPZ-SB-M-250AC-DSM-RO
Mechanical	Explosion-proof	Mechanical, electrical	534 470	DAPZ-SB-M-250AC-EXS-RO
Contactless	Basic version	Inductive	534 473	DAPZ-SB-I-30DC-DSAM-RO

Limit switch attachments DAPZ, round design, variant RO

FESTO

Technical data

- Drive interface to Namur VDI/VDE 3845
- Quick and easy assembly and connection
- Integrated solenoid valve actuation



General technical data	DAPZ-SB-M-250AC-DR-RO	DAPZ-SB-I-30DC-DR-RO	DAPZ-SB-I-25DC-R-RO
Measuring principle	Mechanical, electrical	Inductive	Inductive
Based on standard	EN 60947-5-1	EN 60947-5-2	EN 60947-5-6
	VDI/VDE 3845 (NAMUR)		
Design	Round		
Mounting position	Any		
Protection against short circuit	No	Pulsed	Yes
Switching element function	Changeover switch	Normally open contact	Normally closed contact
Protection against reverse polarity	No	For all electrical connections	For all electrical connections
Switching position display	Yes	Yes	No
Switching output	–	PNP	Namur
Operating voltage range	Direct current DC [V]	0 ... 250	10 ... 30
	Alternating current AC [V]	0 ... 250	–
Nominal operating voltage DC [V]	–	–	8
Insulation voltage [V]	250	50	25
Surge capacity [kV]	4	0.8	0.5
Max. output current [mA]	9,000	200	–
Switching current [mA]	Attenuated	–	≤1
	Non-attenuated	–	≥3
Electrical connection	Screw terminal	Screw terminal, plug-in	Screw terminal, plug-in
Cable diameter [mm]	8 ... 13		
Cable connector	M20		

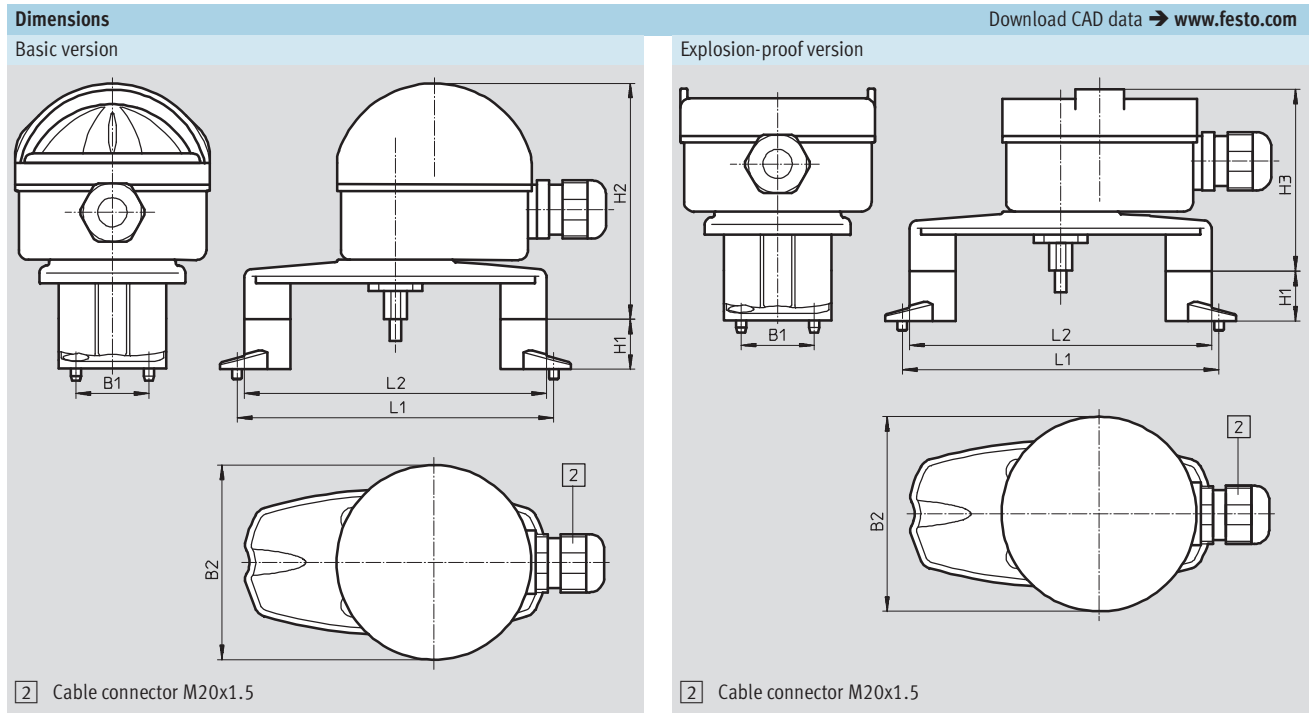
Operating and environmental conditions	DAPZ-SB-M-250AC-DR-RO	DAPZ-SB-I-30DC-DR-RO	DAPZ-SB-I-25DC-R-RO
Ambient temperature [°C]	–20 ... +85 °C	–25 ... +70 °C	–25 ... +70 °C
Protection class	IP65		
CE marking (see declaration of conformity)	To EU Low Voltage Directive	–	To EU Explosion Protection Directive (ATEX)
ATEX category for gas	–	–	II 2G
Explosion ignition protection type for gas	–	–	EEx ia IIC T6
Explosion-proof temperature rating	–	–	–25 °C ≤ Ta ≤ +70 °C
Certificate issuing authority	–	–	TÜV 99 ATEX 1479 X
Degree of contamination	3		
Corrosion resistance class CRC ¹⁾	2		

1) Corrosion resistance class 2 according to Festo standard 940 070
Components subject to moderate corrosion stress. Externally visible parts with primarily decorative surface requirements which are in direct contact with a normal industrial environment or media such as coolants or lubricating agents.

Materials	DAPZ-SB-M-250AC-DR-RO	DAPZ-SB-I-30DC-DR-RO	DAPZ-SB-I-25DC-R-RO
1) Housing cover	PC	PC	PA
2) Housing socket, bracket	PA	PA	PA
3) Seals	EPDM		
– Note on materials	RoHS-compliant		

Limit switch attachments DAPZ, round design, variant RO

Technical data



	B1	B2	H1	H2	H3	L1	L2
Feet mounted inwards							
Foot 20	30	80	20	97	75	80	122
Foot 30	30	80	30	97	75	80	122
Foot 50 (order accessories separately)	30	80	50	97	75	80	122
Feet mounted outwards							
Foot 20	30	80	20	97	75	130	122
Foot 30	30	80	30	97	75	130	122
Foot 50 (order accessories separately)	30	80	50	97	75	130	122
Mounting via adapter (order accessories separately) → 10							
DAPZ-SBZ-K0-RO	25	80	20	97	75	50	122
DAPZ-SBZ-K3-RO	30	80	30	97	75	150	122

Ordering data				
Sensing type	Variant	Measuring principle	Part No.	Type
Mechanical	Basic version	Mechanical, electrical	534 469	DAPZ-SB-M-250AC-DR-RO
Contactless	Basic version	Inductive	534 471	DAPZ-SB-I-30DC-DR-RO
Contactless	Explosion-proof	Inductive	534 472	DAPZ-SB-I-25DC-R-RO

Limit switch attachments DAPZ, round design, variant AR

Technical data

- Drive interface to Namur VDI/VDE 3845
- Quick and easy assembly and connection
- Integrated solenoid valve actuation



General technical data	DAPZ-SB-M-250AC-DR-AR	DAPZ-SB-I-30DC-DR-AR	DAPZ-SB-I-25DC-EXDR-AR
Measuring principle	Mechanical, electrical	Inductive	Inductive
Based on standard	EN 60947-5-1	EN 60947-5-2	EN 60947-5-6
	VDI/VDE 3845 (NAMUR)		
Design	Round		
Mounting position	Any		
Protection against short circuit	No	Pulsed	No
Switching element function	Changeover switch	Normally open contact	Normally closed contact
Protection against reverse polarity	No	For all electrical connections	No
Switching position display	Yes		
Switching output	–	PNP	Namur
Operating voltage range	Direct current DC [V]	4 ... 250	10 ... 30
	Alternating current AC [V]	4 ... 250	–
Intrinsic current consumption at operating voltage [mA]	1 ... 5	0 ... 100	–
Nominal operating voltage DC [V]	–	–	8
Insulation voltage [V]	250	50	25
Surge capacity [kV]	2.5	0.5	0.5
Max. output current [mA]	5,000	100	–
Switching current [mA]	Attenuated	–	≤1
	Non-attenuated	–	≥3
Minimum load current	1 mA at 4 V/DC		–
Electrical connection	Screw terminal		
Cable diameter [mm]	7 ... 13		
Cable connector	M20		

Operating and environmental conditions	DAPZ-SB-M-250AC-DR-AR	DAPZ-SB-I-30DC-DR-AR	DAPZ-SB-I-25DC-EXDR-AR
Ambient temperature [°C]	–20 ... +70 °C		
Protection class	IP67		
CE marking (see declaration of conformity)	To EU Low Voltage Directive	–	To EU Explosion Protection Directive (ATEX)
ATEX category for gas	–	–	II 2G
Explosion ignition protection type for gas	–	–	EEx ia IIB T6
Explosion-proof temperature rating	–	–	–20 °C ≤ Ta ≤ +70 °C
Certificate issuing authority	–	–	PTB 00 ATEX 2032 X
Degree of contamination	3		
Corrosion resistance class CRC ¹⁾	2		

1) Corrosion resistance class 2 according to Festo standard 940 070
 Components subject to moderate corrosion stress. Externally visible parts with primarily decorative surface requirements which are in direct contact with a normal industrial environment or media such as coolants or lubricating agents.

Limit switch attachments DAPZ, round design, variant AR

Technical data

Materials	
1	Housing cover PC
2	Housing socket, bracket ABS, PC
3	Seals NBR
-	Note on materials RoHS-compliant

Dimensions Download CAD data → www.festo.com

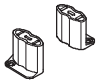

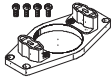
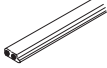
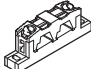
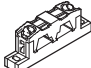
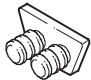

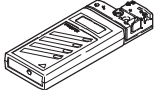
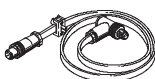
2 Cable connector M20x1.5

	B1	B2	B3	H1	H2	L1	L2	L3
Feet mounted inwards								
Foot height adjustable	30	62	52.5	20, 30, 50	100	80	144	130
Feet mounted outwards								
Foot height adjustable	30	62	52.5	20, 30, 50	100	130	144	130

Ordering data				
Sensing type	Variant	Measuring principle	Part No.	Type
Mechanical	Basic version	Mechanical, electrical	534 474	DAPZ-SB-M-250AC-DR-AR
Contactless	Basic version	Inductive	534 475	DAPZ-SB-I-30DC-DR-AR
Contactless	Explosion-proof	Inductive	534 476	DAPZ-SB-I-25DC-EXDR-AR

Limit switch attachments DAPZ

Accessories

Ordering data		
	Brief description	Part No. Type
Foot		
	Kit for limit switch attachment DAPZ-...-RO Shaft height 50 mm, port pattern 130 x 30 mm	534 477 DAPZ-SBZ-F50-RO
Adapter for foot mounting		
	Kit for limit switch attachment DAPZ-...-RO on the quarter turn actuator DRD/DRE sizes 1 and 2 Foot connection L50 x W25 x H20 mm	534 478 DAPZ-SBZ-K0-RO
	Kit for limit switch attachment DAPZ-...-RO on the quarter turn actuator DRD/DRE sizes 375 ... 880 Foot connection L150 x W30 x H30 mm	534 479 DAPZ-SBZ-K3-RO
Fieldbus connection		
	Flat cable for AS-interface components, yellow, 100 m	18 940 KASI-1,5-Y-100
	Cable distributor for flat cable, cable rotatable	18 786 ASI-KVT-FK
	Cable distributor for flat cable, cable symmetrical	18 797 ASI-KVT-FK-S
	Cable cap for flat cable (50 included in the scope of delivery)	18 787 ASI-KK-FK
	Cable sleeve (20 included in the scope of delivery)	165 593 ASI-KT-FK
Miscellaneous		
	Addressing device for AS-interface stations	18 959 ASI-PRG-ADR
	Addressing cable for addressing device	18 960 KASI-ADR

Limit switch attachments QH-DR-E

Technical data

Limit switch attachment
with 3 measuring principles:

- Pneumatic
- Mechanical, electrical
- Inductive



General technical data			QH-DR-E-S3-PK-3-B-B	QH-DR-E-S3-E-SW-B	QH-DR-E-SIEN-M12-NB-B
Measuring principle			Pneumatic ¹⁾	Mechanical, electrical ²⁾	Inductive ³⁾
Pneumatic connection			G $\frac{1}{8}$	–	–
Based on standard			VDI/VDE 3845 (NAMUR)		
			–	EN 60947-5-1	EN 60947-5-2
Design			Square		
Mounting position			Any		
Protection against short circuit			–	No	Pulsed
Switching element function			–	Changeover switch	Normally open contact
Protection against reverse polarity			–	No	For all electrical connections
Switching position display			No	No	No
Switching output			–	–	PNP
Operating voltage range			Direct current DC [V]	0 ... 250	10 ... 30
			Alternating current AC [V]	0 ... 250	–
Insulation voltage [V]			–	250	50
Surge capacity [kV]			–	2.5	0.5
Max. output current [mA]			–	16,000	200
Electrical connection			–	Screw terminal	Screw terminal
Cable diameter [mm]			–	8 ... 13	8 ... 13
Cable connector			–	M20	M20

- 1) With stem actuated micro valve S-3-PK-3-B
 2) With micro switch with roller lever (splash-proof) S-3-E-SW-B
 3) With proximity sensor SIEN-M12-NB-B

Operating and environmental conditions			QH-DR-E-S3-PK-3-B-B	QH-DR-E-S3-E-SW-B	QH-DR-E-SIEN-M12-NB-B
Operating medium			Filtered, unlubricated compressed air	–	
			Filtered, lubricated compressed air		
			Vacuum		
Operating pressure [bar]			–0.95 ... +8	–	–
Ambient temperature [°C]			–10 ... +60 °C	–20 ... +85 °C	–25 ... +70 °C
Protection class			IP65		
CE marking (see declaration of conformity)			–	To EU Low Voltage Directive	To EU EMC Directive
Degree of contamination			–	3	
Corrosion resistance class CRC ¹⁾			2		

- 1) Corrosion resistance class 2 according to Festo standard 940 070
 Components subject to moderate corrosion stress. Externally visible parts with primarily decorative surface requirements which are in direct contact with a normal industrial environment or media such as coolants or lubricating agents.

Limit switch attachments QH-DR-E

Technical data

Materials		
1	Bracket	High-alloy stainless steel
2	Housing cover	PC
3	Housing socket	PA
4	Seals	EPDM
-	Note on materials	RoHS-compliant

Dimensions Download CAD data → www.festo.com

1 Pg13.5

	B1	B2	D1 Ø	H1	H2	L1	L2
QH-DR-E ...	64	30	5.5	102	28.5	146	80

Ordering data		
Measuring principle	Part No.	Type
Pneumatic with S3-PK-3-B	164 855	QH-DR-E-S3-PK-3-B-B
Electrical with S3-E-SW-B	164 854	QH-DR-E-S3-E-SW-B
Inductive with SIE-M12-NB-B	164 853	QH-DR-E-SIEN-M12-NB-B