

Protective devices CAFC, mounting components for controllers

Technical data

Screening plate CPX-AB-S

Protective devices enable the valve terminals to be protected against environmental influences



Ordering data					
Function	Weight [g]	Material	Dimensions [mm]	Part No.	Type
Screening plate, is placed on a CPX module and screens it electromagnetically	20	Tin-plated bronze	59.9x50.5x16 (LxWxH)	526184	CPX-AB-S-4-M12

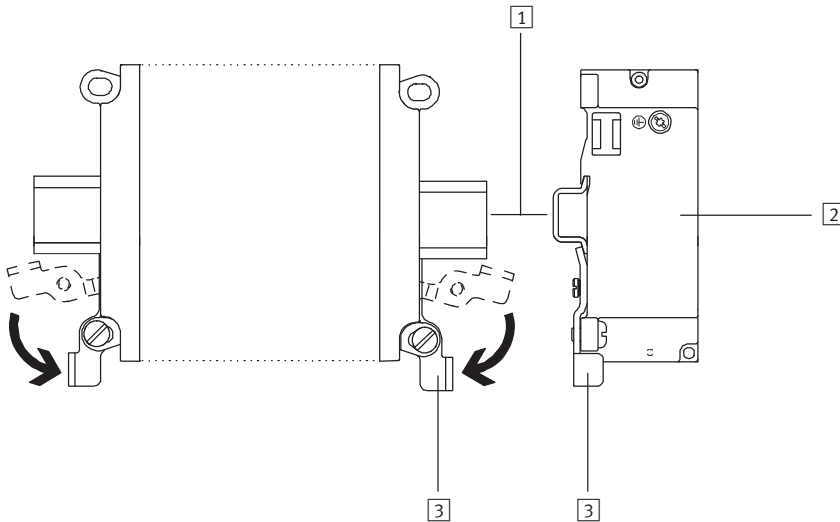
Mounting attachments

Technical data

FESTO

Examples illustrating H-rail mounting

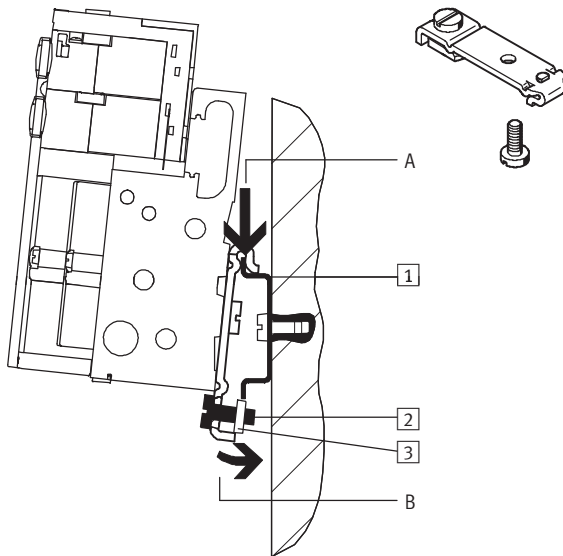
Via swivel levers



The valve terminal is attached to the H-rail and locked with the swivel lever.

- 1 H-rail
- 2 Valve terminal
- 3 Swivel lever

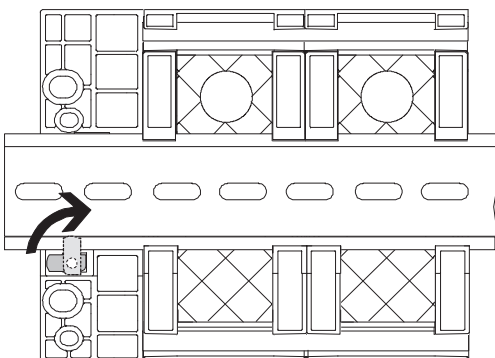
Via mounting rail



The valve terminal is attached to the H-rail (see arrow A) and then swivelled on the H-rail and secured in place with the clamping component (see arrow B).

- 1 Holes for wall mounting
- 2 Self-tapping M4x10 screw of the H-rail clamping unit
- 3 Clamping component of the H-rail clamping unit

Via clamping components



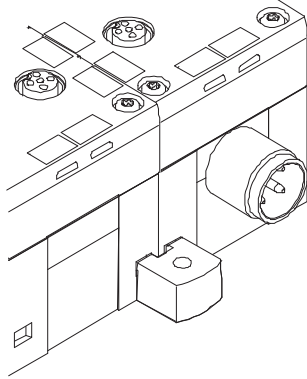
The H-rail mounting is pressed into the reverse profile of the (CPX) modules. The modules can be attached to the H-rail using the H-rail mountings.

Mounting attachments

Technical data

Examples illustrating wall mounting

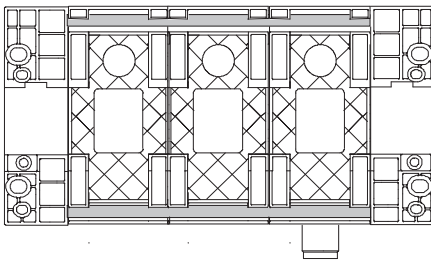
Via mounting bracket



For longer valve terminals, there is an additional mounting bracket (for the CPX terminal) that can be fitted in any module.

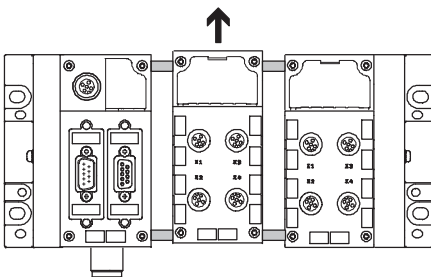
Examples illustrating general types of mounting

Via tie rod



The mechanical connection between the CPX modules is established using special tie rods. Two screws in the end plates are all that are needed to mount the entire unit.

The tie rod ensures that the unit resists high mechanical loads and is therefore the “mechanical backbone” of the CPX terminal.



The open design allows interlinking blocks to be replaced in the assembled state.

The tie rod expansion kit allows an extra module to be added to the CPX terminal.