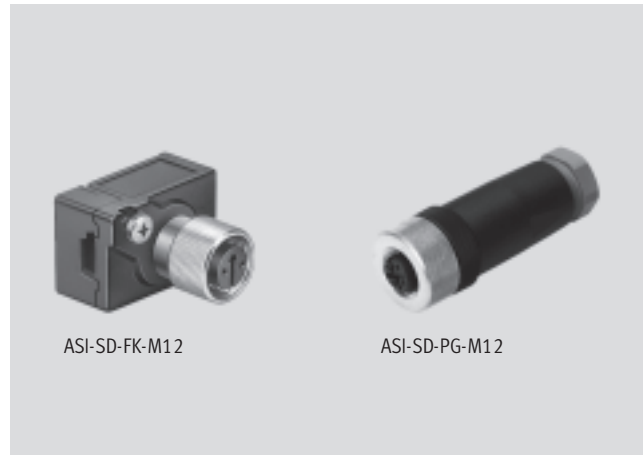


# Electrical connection technology, for AS-interface

Technical data – ASI-SD

- Flat cable socket for the connection of AS-interface stations to the AS-interface bus system
- M12 connection
- Reverse polarity protected
- Detachable connection
- 2-pin or 4-pin



ASI-SD-FK-M12

ASI-SD-PG-M12

General technical data		
Type	ASI-SD-FK-M12	ASI-SD-PG-M12
Mounting position	Any	
Connection type	Insulation displacement technology	Screw terminal
Connection cross-section [mm <sup>2</sup> ]	1.5	0.75
Cable gland fitting	–	Pg9
Protection class	IP67	
Material of housing	Polyamide	
Material of contacts	Gold-plated copper base alloy	Bronze
Material of union nut	Nickel-plated surface	
Operating temperature [°C]	–25 ... +60	–40 ... +85

Ordering data							
	Electrical connection	Type of mounting	Operating voltage range [V]	Current-carrying capacity [A]	Product weight [g]	Type	Part No.
	Straight plug, 2-pin	Knurled screw	40 AC	2	16.8	ASI-SD-FK-M12	18 788
	Straight plug, 4-pin, screw terminal		125 AC	3	27.6	ASI-SD-PG-M12	18 789

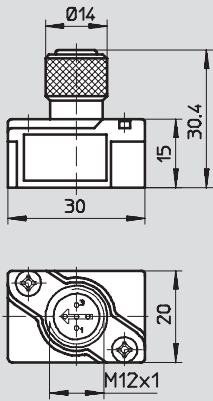
# Electrical connection technology, for AS-interface

Technical data – ASI-SD

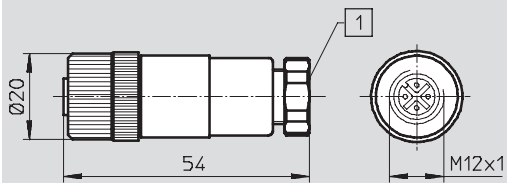
## Dimensions

Download CAD data → [www.festo.com](http://www.festo.com)

ASI-SD-FK-M12



ASI-SD-PG-M12

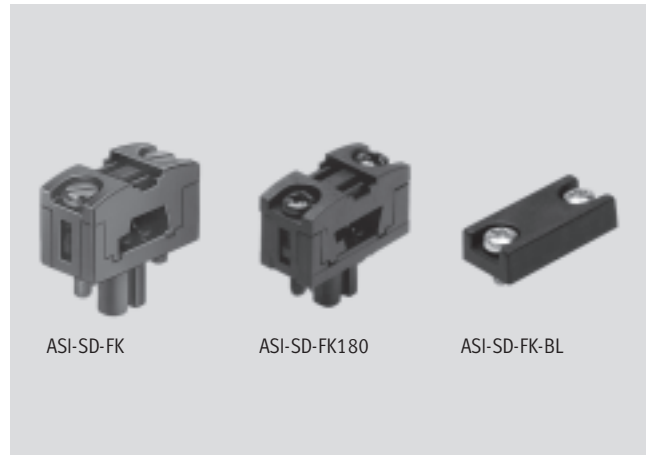


1 Seal for AS-interface cable

# Electrical connection technology, for AS-interface

Technical data – ASI-SD-FK

- Flat cable socket for the connection of AS-interface stations to the AS-interface bus system
- 0° and 180° version
- Reverse polarity protected
- Detachable connection
- 2-pin
- Blanking plugs for sealing unused connections



General technical data			
Type	ASI-SD-FK	ASI-SD-FK180	ASI-SD-FK-BL
Mounting position	Any		
Version	Cable guide 0°	Cable guide 180°	–
Connection type	Insulation displacement technology		
Connection cross-section [mm <sup>2</sup> ]	1.5		
Protection class	IP65		
Material of housing	Polyamide		
Material of contacts	Bronze	–	
Material note	RoHS compliant		
Ambient temperature [°C]	–5 ... +50	–20 ... +70	
Storage temperature [°C]	–30 ... +85	–20 ... +70	

Ordering data								
	Electrical connection	Type of mounting	Operating voltage range		Current-carrying capacity [A]	Product weight [g]	Type	Part No.
			[V AC]	[V DC]				
	Socket, straight, 2-pin	2 screws M2.5	60	75	3	6.8	ASI-SD-FK	18 785
			–	–		6.2	ASI-SD-FK180	196 089
	–	2 screws M2.5x6	–	–	–	3	ASI-SD-FK-BL	196 090

# Electrical connection technology, for AS-interface

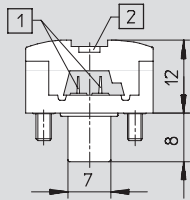
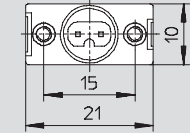
FESTO

Technical data – ASI-SD-FK

## Dimensions

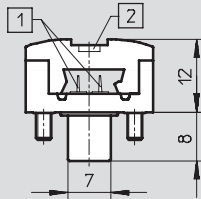
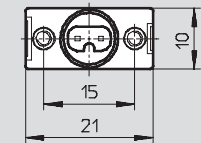
Download CAD data → [www.festo.com](http://www.festo.com)

### ASI-SD-FK



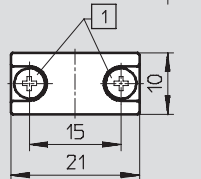
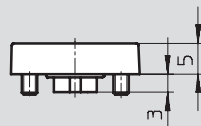
- 1 Contact blades for flat cable contacting
- 2 Inscription label mounting options

### ASI-SD-FK180



- 1 Contact blades for flat cable contacting
- 2 Inscription label mounting options

### ASI-SD-FK-BL



- 1 Mounting screws M2.5x6