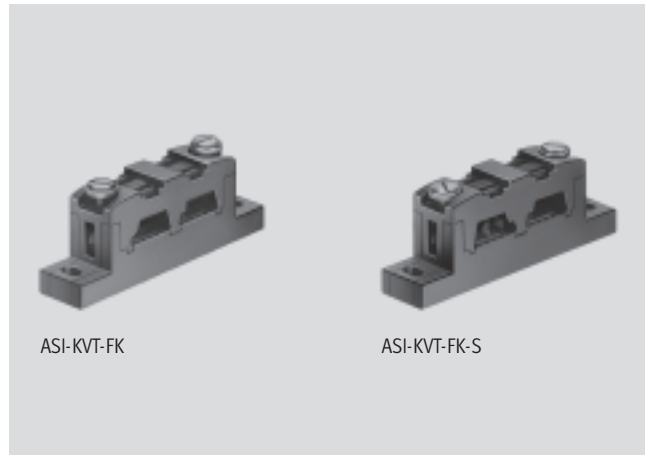


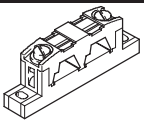
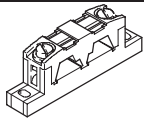
Electrical connection technology, for AS-interface

Technical data – ASI-KVT

- Flat cable distributor for branching the AS-interface network at any desired point
- For parallel or symmetrical cable installation
- Reverse polarity protected



General technical data		ASI-KVT-FK	ASI-KVT-FK-S
Type			
Mounting position		Any	
Version		Cable guide parallel	Cable guide symmetrical
Connection type		Insulation displacement technology	
Connection cross-section [mm ²]		1.5	
Protection class		IP65	
Material of housing		Polyamide	
Material of contacts		Bronze	
Ambient temperature [°C]		-5 ... +50	
Storage temperature [°C]		-30 ... +85	

Ordering data							
	Type of mounting	Operating voltage range		Current-carrying capacity [A]	Product weight [g]	Type	Part No.
		[V]	[V]				
	2 screws M2.5	60 AC	75 DC	3	7.2	ASI-KVT-FK	18 786
						ASI-KVT-FK-S	18 797

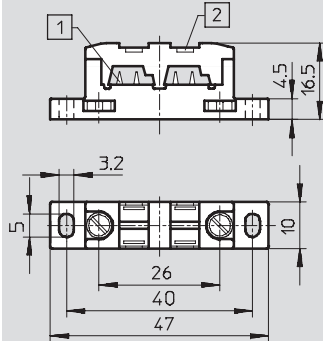
Electrical connection technology, for AS-interface

Technical data – ASI-KVT

Dimensions

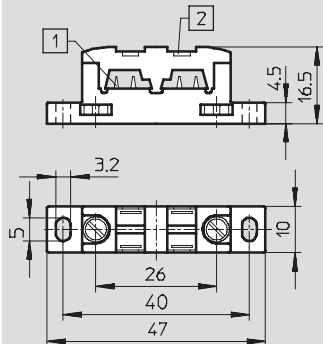
Download CAD data → www.festo.com

ASI-KVT-FK



- 1 Contact blades for flat cable contacting
- 2 Inscription label mounting options

ASI-KVT-FK-S



- 1 Contact blades for flat cable contacting
- 2 Inscription label mounting options

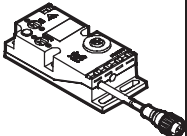
Electrical connection technology, for AS-interface

Technical data – ASI-KVT-FKx2

- Flat cable distributor for reconnection from AS-interface-flat cable to 4-pin M12 socket
- 2 connections: M12 socket with permanently attached cable, 1 m long, and M12 socket integrated in housing
- Reverse polarity protected



General technical data		
Type	ASI-KVT-FKx2-M12	
Mounting position	Any	
Connection cross-section	[mm ²]	4x 0.34
AS-interface connection	Connection type	AS-interface flat cable plug (must be ordered separately)
	Nominal voltage	[V] 26.5 ... 31.6 DC
	Residual ripple	[mVss] 20
24 V DC connection	Connection type	AS-interface flat cable plug (must be ordered separately)
	Nominal voltage	[V] 24 DC ±10%
	Residual ripple	[mVss] 4
Protection class to EN 60 529	IP65	
Material	Housing	Polyamide
	Cables	Polyurethane
Cable length	[mm]	1000
Ambient temperature	[°C]	-5 ... +50
Storage temperature	[°C]	-20 ... +70
Shock test	To DIN IEC 68; ±30 g at 11 ms, 15 cycles	
Continuous shock test	To DIN IEC 68; ±15 g at 6 ms, 1000 cycles	
Vibration test	To DIN IEC 68; 0.35 mm at 10 ... 60 Hz, 5 g at 60 ... 150 Hz	
Protection against direct and indirect contact	By PELV	

Ordering data				
View	Type of mounting	Product weight [g]	Type	Part No.
	AS-interface flat cable plug (must be ordered separately)	208	ASI-KVT-FKx2-M12	527 474

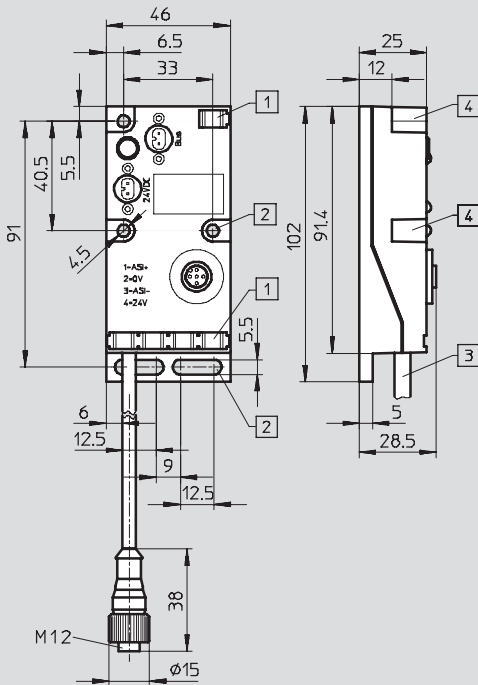
Electrical connection technology, for AS-interface

Technical data – ASI-KVT-FKx2

Dimensions

Download CAD data → www.festo.com

ASI-KVT-FKx2-M12

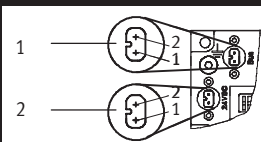


- 1 Inscription label mounting options
- 2 Mounting holes for surface mounting
- 3 Cable PUR-OB, 1 m long
- 4 Mounting holes for ITEM profile 40 mm or other mounting option

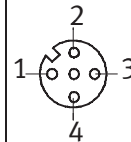
Pin allocation

AS-interface and additional power supply

5-pin M12-socket and socket on the cable



- 1 AS-interface bus
 - 1: + (light blue)
 - 2: - (brown)
- 2 Auxiliary power supply
 - 1: 0 V
 - 2: + 24 V DC



- Pin 1: AS-interface +
- Pin 2: 0 V (auxiliary power supply)
- Pin 3: AS-interface -
- Pin 4: +24 V (auxiliary power supply)
- Pin 5: Unused