

# Air guns

**FESTO**




# Low consumption air guns LSP-1/4-D

Technical data

FESTO



 Operating pressure  
0 ... 10 bar



- Precise, infinitely variable, lever operated flow metering
- Sturdy aluminium design
- Interchangeable nozzles


General technical data	
Exhaust function	Metered blowing
Pneumatic connection	Female thread G $\frac{1}{4}$
Operating medium	Filtered compressed air, lubricated or unlubricated
Operating pressure [bar]	0 ... 10
Standard nominal flow rate [l/min]	120 at 6 bar
Noise level [dB (A)]	90 at 6 bar
Ambient temperature [°C]	-10 ... +50
Weight [g]	240

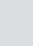
• Note: This product conforms with the ISO 1179-1 standard and the ISO 228-1 standard.

Materials	
Housing	Wrought aluminium alloy
Note on materials	RoHS-compliant

## Dimensions

Download CAD data → [www.festo.com](http://www.festo.com)

 Note  
This air gun has no pressure regulating valve.

 Note  
Compressed air guns must not be pointed at people.

**1** Sealing surface

D1	D2	D3	H1	H2	H3	L1	C1	C2
G $\frac{1}{4}$	1.5	18.5	141	95	0.3	101	14	17


• Note: This product conforms with the ISO 1179-1 standard and the ISO 228-1 standard.

Ordering data		
Pneumatic connection	Part No.	Type
G $\frac{1}{4}$	35528	LSP-1/4-D

# Low consumption air guns LSP-1/4-C

Technical data

- Precise, infinitely variable, lever operated flow metering
- Interchangeable nozzles

 Operating pressure  
0 ... 10 bar





General technical data	
Exhaust function	Metered blowing
Pneumatic connection	Female thread G $\frac{1}{4}$
Operating pressure [bar]	0 ... 10
Standard nominal flow rate [l/min]	120 at 6 bar
Noise level [dB (A)]	90 at 6 bar
Ambient temperature [°C]	-10 ... +50
Weight [g]	125

-||- Note: This product conforms with the ISO 1179-1 standard and the ISO 228-1 standard.

Materials	
Housing	Reinforced polyamide

Download CAD data → [www.festo.com](http://www.festo.com)

 Note  
This air gun has no pressure regulating valve.

 Note  
Compressed air guns must not be pointed at people.

**1** Sealing surface

D1	D2	H1	H2	L1	L2	$\varnothing C1$
G $\frac{1}{4}$	1.5	112	96.2	154.4	80	14

-||- Note: This product conforms with the ISO 1179-1 standard and the ISO 228-1 standard.

Ordering data		
Pneumatic connection	Part No.	Type
G $\frac{1}{4}$	<b>184318</b>	LSP-1/4-C

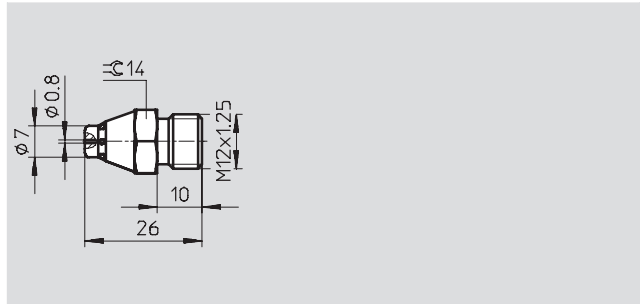
## Air guns

Accessories

### Air gun nozzle LPZ-SD with safety shield

- Accurate, high power air jet with protective air shield for chips and dust
- Low noise level

Material:  
Aluminium

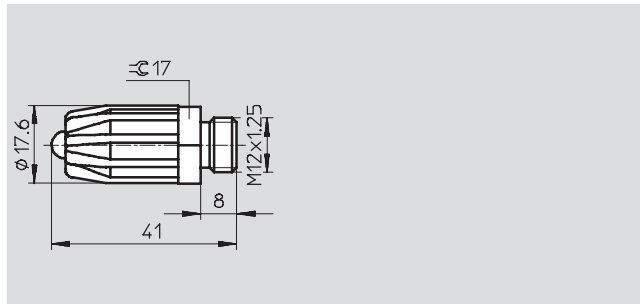


Ordering data			
		Part No.	Type
Air gun nozzle with protective air shield		184321	LPZ-SD

### Air gun nozzle LPZ-LD with noise reduction

- Powerful, focused air jet
- For blowing out, drying and cooling large surfaces
- Low noise level

Material:  
Chrome plated die-cast zinc/  
aluminium



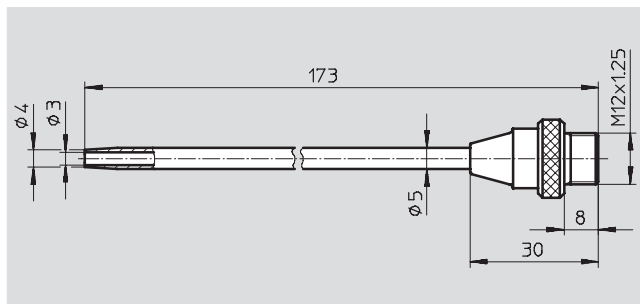
Ordering data			
		Part No.	Type
Air gun nozzle with noise reduction		184322	LPZ-LD

### Air gun nozzle LPZ-RG-150-B with straight tube

- Accurate, high power air jet for difficult to access locations

Material:  
Nickel-plated brass

Note on material:  
RoHS-compliant



Ordering data			
Ambient temperature [°C]	Noise level [dB(A)]	Part No.	Type
-10 ... +50	90	565317	LPZ-RG-150-B

## Air guns

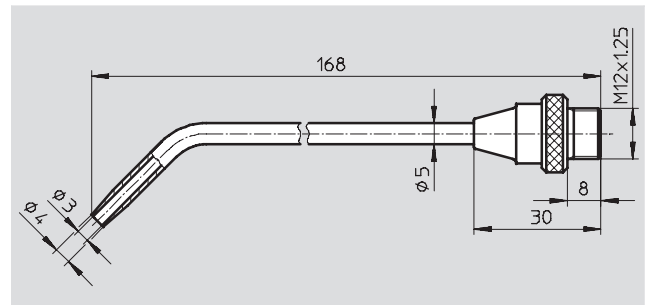
Accessories

### Air gun nozzle LPZ-RB-150-B with elbow tube

- Accurate, high power air jet for difficult to access locations
- 360° rotatable

Material:  
Nickel-plated brass

Note on material:  
RoHS-compliant



Ordering data			
Ambient temperature [°C]	Noise level [dB(A)]	Part No.	Type
-10 ... +50	90	565316	LPZ-RB-150-B

**Nominal flow rate  $q_n$  with fully actuated lever as a function of the output pressure  $p$**   
measured using low consumption air gun LSP-1/4-C

