

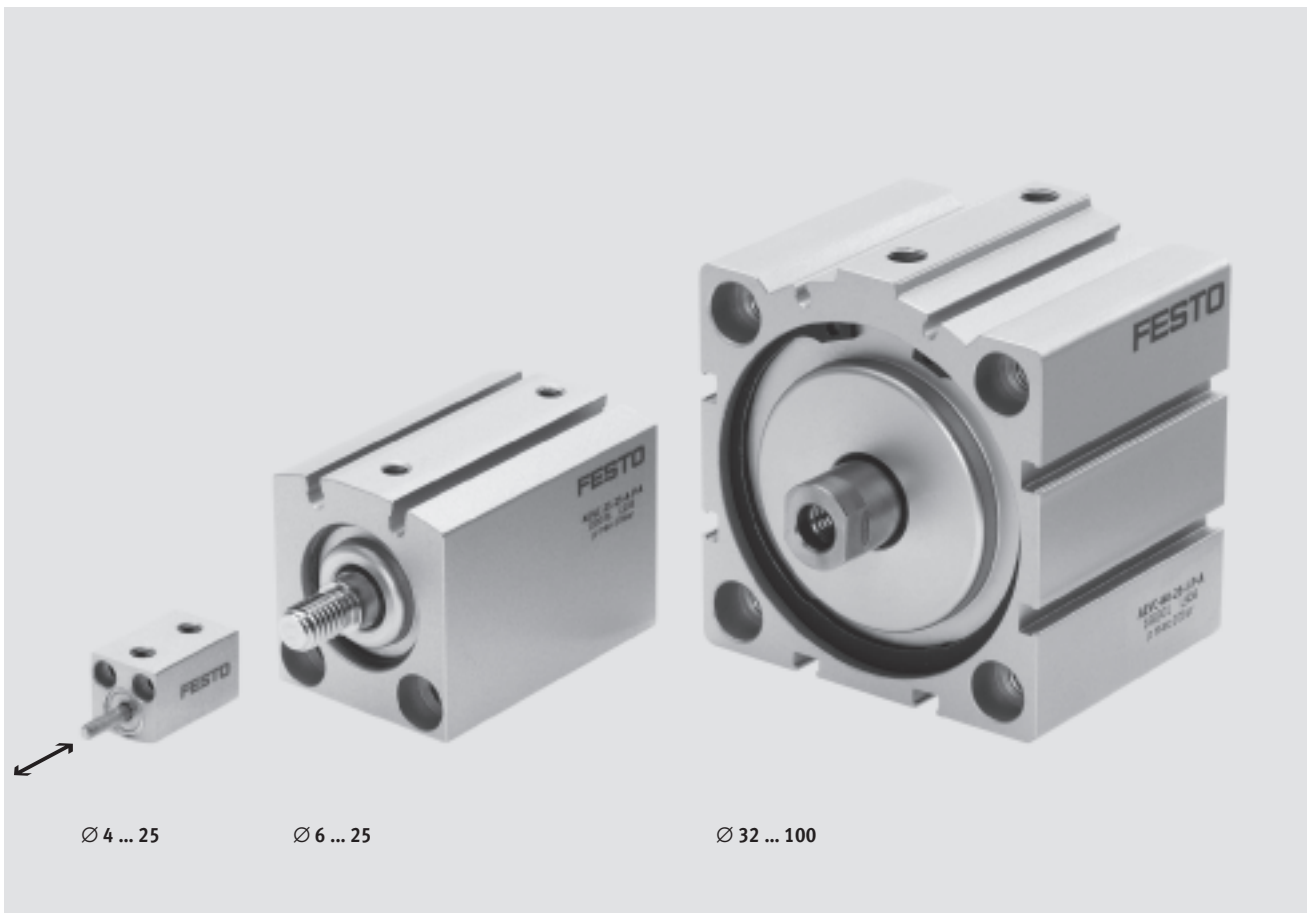


- Compact short-stroke cylinders with standard port pattern from \varnothing 32 mm
- Optimised fitting space and height
- Adaptable housing and piston rod variants for individual applications

Short-stroke cylinders ADVC/AEVC

Key features

FESTO



Brief description

⊘ Diameter
4 ... 100 mm

▬ Stroke length
2.5 ... 25 mm

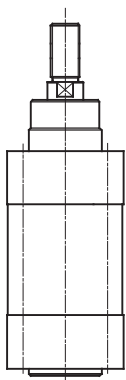
Short-stroke cylinders are ideal for clamping tasks with short strokes, e.g. in retaining devices.

The cylinders offer:

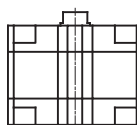
- Rapid response with applied pressure
- Large clamping forces in comparison to their size
- Minimal installation space

- Integrated sensor slots for contacting or contactless proximity sensors
- Mounting hole pattern to VDMA 24 562 for Ø 32 ... 100 mm

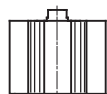
Fitting space comparison with 10 mm stroke



100%
Standard cylinder
DNC

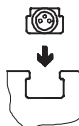


45%
Compact cylinder
ADVU

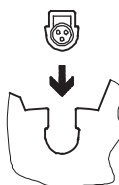


33%
Short-stroke cylinder
ADVC

Sensor slots



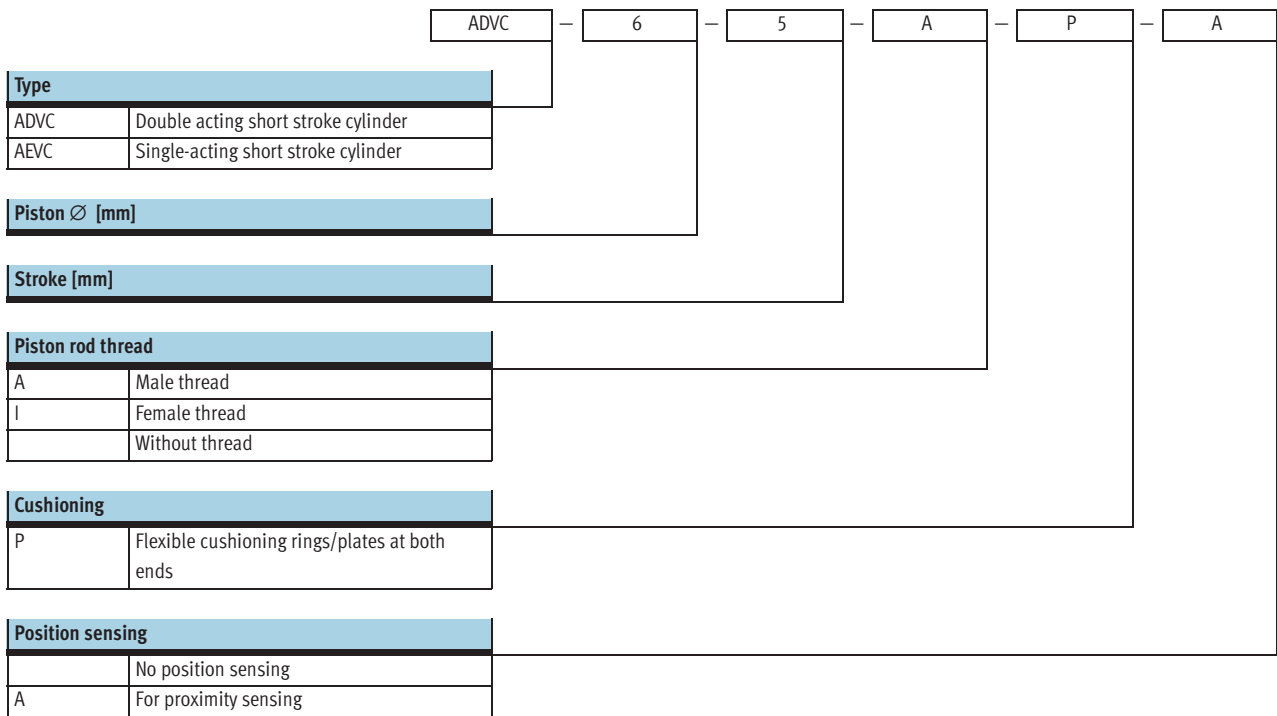
T-slot for proximity sensor
SME/SMT-8



C-slot for proximity sensor SME/
SMT-10


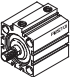
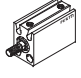
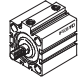

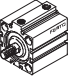

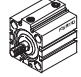
Short-stroke cylinders ADVC/AEVC

Type codes



Short-stroke cylinders ADVC/AEVC

Product range overview

Function	Version	Type	Piston Ø [mm]	Stroke [mm]	Position sensing
Double-acting	Without position sensing				
		ADVC Ø 4 ... 25	4	2.5; 5	-
			6, 10, 12	5, 10	
			16, 20, 25	5, 10, 15, 20, 25	
		ADVC Ø 32 ... 100	32, 40	5, 10, 15, 20, 25	-
			50, 63, 80, 100	10, 15, 20, 25	
	With position sensing				
		ADVC-...-A Ø 6 ... 25	6, 10, 12	5, 10	■
			16, 20, 25	5, 10, 15, 20, 25	
		ADVC-...-A Ø 32 ... 100	32, 40	5, 10, 15, 20, 25	■
50, 63, 80, 100			10, 15, 20, 25		
Single-acting	Without position sensing				
		AEVC Ø 4 ... 25	4	2.5; 5	-
			6, 10, 12	5, 10	
			16, 20, 25	5, 10, 25	
		AEVC Ø 32 ... 100	32	5, 10, 25	-
			40, 50, 63, 80, 100	10, 25	
	With position sensing				
		AEVC-...-A Ø 6 ... 25	6, 10, 12	5, 10	■
			16, 20, 25	5, 10, 25	
		AEVC-...-A Ø 32 ... 100	32	5, 10, 25	■
40, 50, 63, 80, 100			10, 25		

Short-stroke cylinders ADVC/AEVC

Product range overview

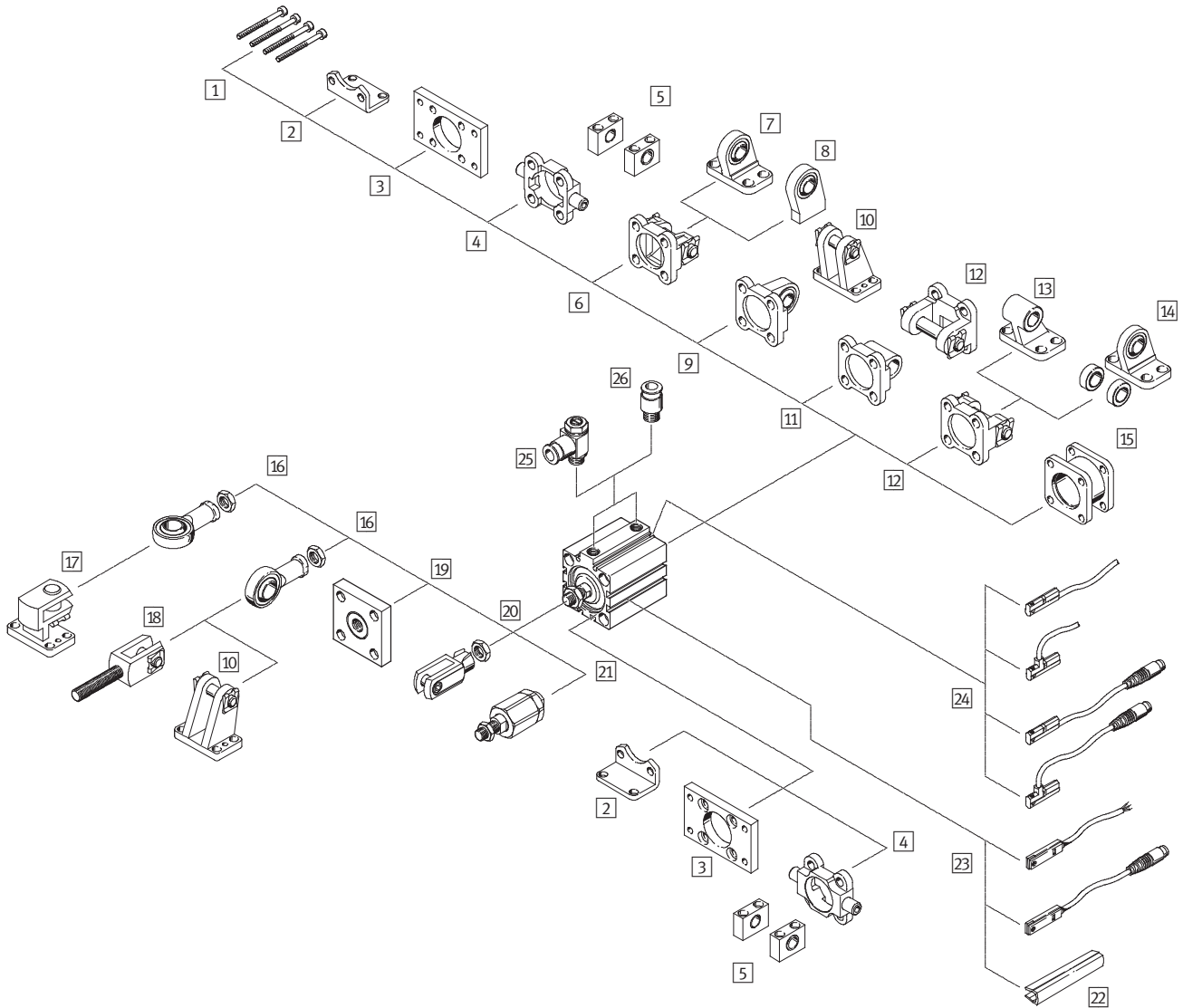
Type	Piston rod			Cushioning	→ Page/Internet
	With male thread	With female thread	Without thread		
Without position sensing					
ADVC Ø 4 ... 25	■	■ From Ø 12	■ Ø 4 ... 12	■	8
ADVC Ø 32 ... 100	■	■	-	■	8
With position sensing					
ADVC-...-A Ø 6 ... 25	■	■ From Ø 12	■ Ø 6 ... 12	■	15
ADVC-...-A Ø 32 ... 100	■	■	-	■	15
Without position sensing					
AEVC Ø 4 ... 25	■	■ From Ø 12	■ Ø 4 ... 12	■	21
AEVC Ø 32 ... 100	■	■	-	■	21
With position sensing					
AEVC-...-A Ø 6 ... 25	■	■ From Ø 12	■ Ø 6 ... 12	■	28
AEVC-...-A Ø 32 ... 100	■	■	-	■	28

Short-stroke cylinders ADVC/AEVC

Peripherals overview

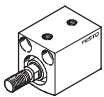


Ø 32 ... 100 mm



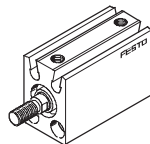
Ø 4 ... 25 mm

Without position sensing



Ø 6 ... 25 mm

With position sensing



Short-stroke cylinders ADVC/AEVC

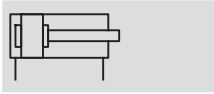
Peripherals overview

FESTO

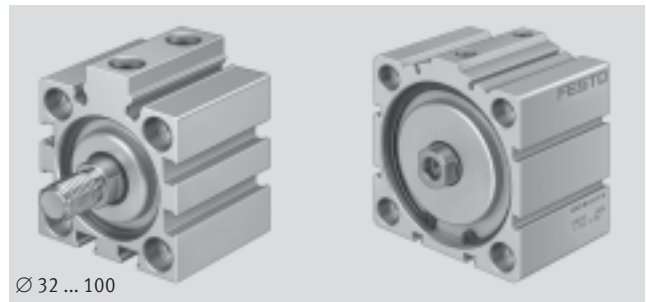
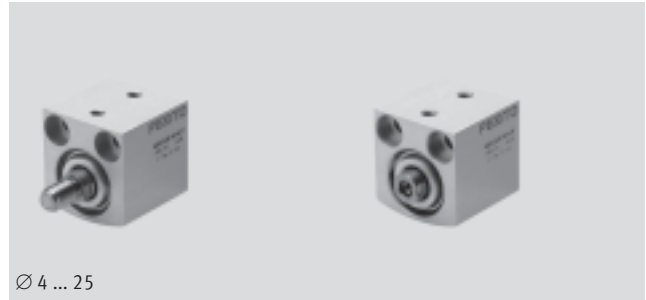
Mounting attachments and accessories						
	Brief description	Piston Ø			→ Page/Internet	
		4, 6, 12	10, 16 ... 25	32 ... 100		
1	Mounting screws	Not included in scope of delivery	■ DIN 84	■ DIN 912	■ DIN 912	–
1	Mounting screws for Ø 80, 100	Not included in scope of delivery	–	–	■	43
2	Foot mounting HNC	For bearing and end caps	–	–	■	35
3	Flange mounting FNC	For bearing or end caps	–	–	■	36
4	Trunnion flange ZNCF	For bearing or end caps	–	–	■	37
5	Trunnion support LNZG	–	–	–	■	38
6	Swivel flange SNC	For end caps	–	–	■	39
7	Clevis foot LSNG	With spherical bearing	–	–	■	43
8	Clevis foot LSNSG	Weld-on, with spherical bearing	–	–	■	43
9	Swivel flange SNCS	With spherical bearing for end caps	–	–	■	41
10	Clevis foot LBG	–	–	–	■	43
11	Swivel flange SNCL	For end caps	–	–	■	42
12	Swivel flange SNCB	For end caps	–	–	■	40
13	Clevis foot LNG	–	–	–	■	43
14	Clevis foot LSN	With spherical bearing	–	–	■	43
15	Adapter kit DPNC	For connecting two cylinders with identical piston diameter to form a multi-position cylinder	–	–	■	34
16	Rod eye SGS	With spherical bearing	–	■	■	44
17	Right-angle clevis foot LQG	–	–	■	■	43
18	Rod clevis SGA	With male thread	–	–	■	44
19	Coupling piece KSG	For compensating radial deviations	–	–	■	44
20	Rod clevis SG	Permits a swivelling movement of the cylinder in one plane	–	■	■	44
21	Self-aligning rod coupler FK	For compensating radial and angular deviations	■ Ø 12	■	■	44
22	Slot cover ABP-5-S	To protect the sensor cable and keep dirt out of the sensor slots	–	–	■	45
23	Proximity sensors SME/SMT-8	Can be integrated in the cylinder profile barrel	–	–	■	45
24	Proximity sensors SME/SMT-10	Can be integrated in the cylinder profile barrel	–	■	■	46
25	One-way flow control valve GRLA	To regulate speed	■	■	■	46
26	Push-in fitting QS	For connecting compressed air tubing with standard external diameters	■	■	■	quick star

Short-stroke cylinders ADVC

Technical data, double-acting – without position sensing



- - Diameter
4 ... 100 mm
- - Stroke length
2.5 ... 25 mm



General technical data													
Piston Ø	4	6	10	12	16	20	25	32	40	50	63	80	100
Pneumatic connection	M3	M3	M5	M5	M5	M5	M5	G1/8	G1/8	G1/8	G1/8	G1/8	G1/4
Piston rod with female thread	-	-	-	■	■	■	■	■	■	■	■	■	■
Piston rod with male thread	■	■	■	■	■	■	■	■	■	■	■	■	■
Piston rod without thread	■	■	■	■	-	-	-	-	-	-	-	-	-
Operating medium	Filtered compressed air, lubricated or unlubricated												
Constructional design	Piston												
	Piston rod												
Cushioning	Flexible cushioning rings/plates at both ends												
Type of mounting	Via through-holes							Via through-holes					
	-							Via accessories					
Mounting position	Any												

Operating conditions													
Piston Ø	4	6	10	12	16	20	25	32	40	50	63	80	100
Operating pressure [bar]	2 ... 8	1.5 ... 8	1 ... 8	1 ... 10				0.6 ... 10					
Ambient temperature [°C]	-20 ... +80												
Corrosion resistance class CRC ¹⁾	1												

1) Corrosion resistance class 1 according to Festo standard 940 070
Components requiring low corrosion resistance. Transport and storage protection. Parts that do not have primarily decorative surface requirements, e.g. in internal areas that are not visible or behind covers

Short-stroke cylinders ADVC

Technical data, double-acting – without position sensing

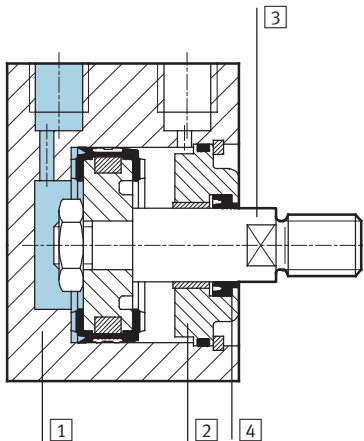
Forces [N] and impact energy [J]													
Piston Ø	4	6	10	12	16	20	25	32	40	50	63	80	100
Theoretical force at 6 bar, advancing	7.5	17	47	68	121	189	295	483	754	1,178	1,870	3,016	4,712
Theoretical force at 6 bar, returning	5.7	13	40	51	91	141	247	415	686	1,056	1,750	2,847	4,418
Max. impact energy at end positions	0.003	0.005	0.03	0.06	0.10	0.14	0.18	0.26	0.36	0.60	0.64	0.90	1.20

Product weight [g]													
Stroke [mm]	Piston Ø												
	4	6	10	12	16	20	25	32	40	50	63	80	100
2.5	4	–	–	–	–	–	–	–	–	–	–	–	–
5	4.5	12.5	23	34	68	112	135	280	350	–	–	–	–
10	–	16	26	42	76	124	150	300	380	470	600	1,570	2,480
15	–	–	–	–	84	136	165	320	410	505	650	1,655	2,570
20	–	–	–	–	92	148	180	340	440	540	700	1,740	2,660
25	–	–	–	–	100	160	195	360	470	575	750	1,825	2,750

Moving load [g]													
Stroke [mm]	Piston Ø												
	4	6	10	12	16	20	25	32	40	50	63	80	100
2.5	0.2	–	–	–	–	–	–	–	–	–	–	–	–
5	0.25	1.2	2.8	6.6	11	22	27	46	69	–	–	–	–
10	–	1.5	3.3	7.7	13	25	30	51	74	127	178	339	719
15	–	–	–	–	15	28	33	56	79	135	186	351	739
20	–	–	–	–	17	31	36	61	84	143	194	363	759
25	–	–	–	–	19	34	39	66	89	151	202	375	779

Materials

Sectional view



Short-stroke cylinder	Ø 4	Ø 6 ... 100
1 Cylinder barrel	Anodised aluminium	Anodised aluminium
2 Cover cap	Anodised aluminium	Anodised aluminium
3 Piston rod	Anodised aluminium	High-alloy steel
4 Rod seal	Nitrile rubber	Polyurethane
Note on material	Free of copper, PTFE and silicone	Free of copper, PTFE and silicone

Short-stroke cylinders ADVC

Technical data, double-acting – without position sensing

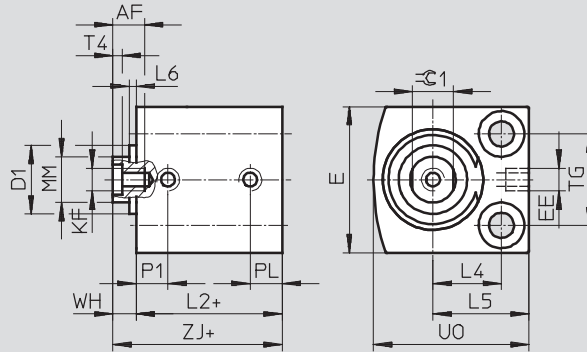
Dimensions

Download CAD data → www.festo.com

Ø 4 ... 25 mm

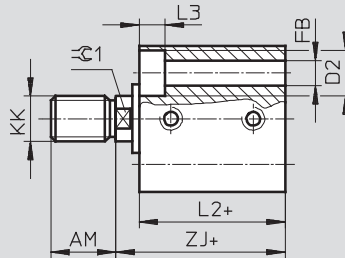
ADVC-...-I-P

Piston rod with female thread



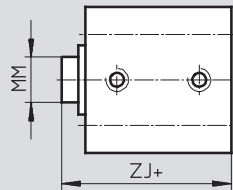
ADVC-...-A-P

Piston rod with male thread



ADVC-...-P

Piston rod without thread



- Note

Ø 4 mm

Do not exceed maximum screw-in depth of 3 mm and maximum tightening torque of 0.7 Nm.

Ø 10 mm

Depending on tolerance, the bearing cap may project by up to 0.65 mm.

Ø 12 mm

Depending on tolerance, the bearing cap may project by up to 0.35 mm.

+ = plus stroke length

Short-stroke cylinders ADVC

Technical data, double-acting – without position sensing

∅ [mm]	Stroke [mm]	AF min.	AM -0.5	D1 ∅ max.	D2 ∅	E max.	EE	FB ∅	KF	KK	L2 +0.2	L3
4	2.5	-	6	-	3.3 +0.1	10	M3	1.8	-	M2	10.5	1.8
	5											
6	5	-	6	-	5 +0.1	13	M3	2.9	-	M3	11	2.9
	10											
10	5	-	8	7.5	5.8 +0.1	18	M5	3.4	-	M4	16	3.4
	10										14	
12	5	8	8	10.7	6 H13	20	M5	3.4	M3	M5	18	3.4
	10											
16	5	10	12	-	8 H13	25	M5	4.5	M4	M6	18	4.6
	10											
	15											
	20											
	25											
20	5	12	12	-	10 H13	32	M5	5.5	M5	M8	22	5.7
	10											
	15											
	20											
	25											
25	5	12	12	-	10 H13	38	M5	5.5	M5	M8	22.5	5.7
	10											
	15											
	20											
	25											

∅ [mm]	Stroke [mm]	L4	L5	L6 max.	MM ∅	P1	PL	T4	TG ±0.1	UO max.	WH	ZJ ±0.8	≲G1
4	2.5	4	6.5	-	2	3.7	3.2	-	5.8	10	1	11.5	-
	5												
6	5	6	9	-	3	4.7	3	-	7	14	1	12	-
	10												
10	5	8	11.5	0.7	4	5.2	5.2	-	11	19	1.5	17.5	-
	10					6	5.5					15.5	
12	5	9	13	0.4	6	5.75	5.75	1.5	13	22	4	22	5
	10					9	6						
16	5	11.5	16.5	-	8	6	6	2	15	27	4	22	7
	10												
	15												
	20												
	25												
20	5	15	21	-	10	7.5	7	2	20	34	5	27	9
	10												
	15												
	20												
	25												
25	5	15.5	21.5	-	10	8	6.5	2	26	37	5	27.5	9
	10												
	15												
	20												
	25												

Short-stroke cylinders ADVC

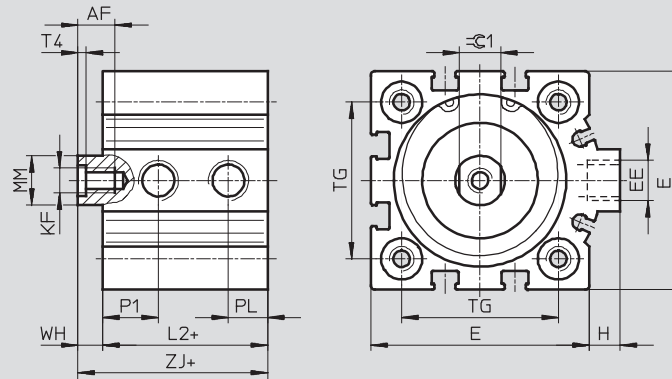
Technical data, double-acting – without position sensing



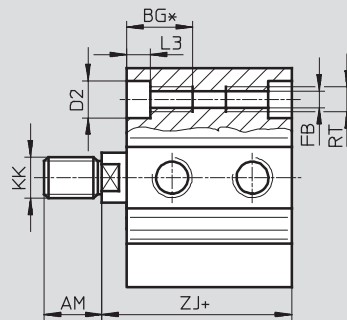
Dimensions Download CAD data → www.festo.com

∅ 32 ... 100 mm

ADVC-...-I-P
Piston rod with female thread



ADVC-...-A-P**
Piston rod with male thread



+ = plus stroke length

∅	AF	AM	BG*	D2	E	EE	FB	H	KF	KK
[mm]	min.	-0.5	min.	∅ F9	max.		∅			
32	12	14	21.7	9	45	G1/8	5.2	7	M6	M10x1.25
40	12	14	21.7	9	53.5	G1/8	5.2	7	M6	M10x1.25
50	16	16	22.8	11	63.5	G1/8	6.8	7	M8	M12x1.25
63	16	16	22.8	11	75	G1/8	6.8	7.5	M8	M12x1.25
80	20	22	25	14	93	G1/8	8.5	7	M10	M16x1.5
100	24	28	25	14	113	G1/4	8.5	13	M12	M20x1.5


∅	L2	L3	MM	P1	PL	RT	T4	TG	WH	ZJ	∅C1
[mm]	+0.2		∅					±0.1		±0.8	
32	29	5.7	12	9	8.5	M6	2.6	32.5	6	35	10
40	29.5	5.7	12	11	9	M6	2.6	38	6	35.5	10
50	28	6.8	16	11.3	9.5	M8	3.3	46.5	8	36	13
63	35	6.8	16	12.5	11.5	M8	3.3	56.5	8	43	13
80	40	9	20	15	15	M10	4.7	72	8	48	17
100	49	9	25	16.5	19	M10	6.1	89	10	59	22

* Continuous thread with short overall length

** Nut for piston rod thread included in scope of delivery

Short-stroke cylinders ADVC

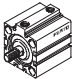
Technical data, double-acting – without position sensing

Ordering data								
Type	Piston Ø [mm]	Stroke [mm]	Piston rod with male thread		Piston rod with female thread		Piston rod without thread	
			Part No.	Type	Part No.	Type	Part No.	Type
	4	2.5	188 054	ADVC-4-2,5-A-P	–		526 897	ADVC-4-2,5-P
		5	188 055	ADVC-4-5-A-P			526 898	ADVC-4-5-P
	6	5	188 066	ADVC-6-5-A-P	–		526 899	ADVC-6-5-P
		10	188 067	ADVC-6-10-A-P			526 900	ADVC-6-10-P
	10	5	188 078	ADVC-10-5-A-P	–		526 903	ADVC-10-5-P
		10	188 079	ADVC-10-10-A-P			526 904	ADVC-10-10-P
	12	5	188 094	ADVC-12-5-A-P	188 090	ADVC-12-5-I-P	530 568	ADVC-12-5-P
		10	188 095	ADVC-12-10-A-P	188 091	ADVC-12-10-I-P	530 569	ADVC-12-10-P
	16	5	188 123	ADVC-16-5-A-P	188 113	ADVC-16-5-I-P	–	
		10	188 124	ADVC-16-10-A-P	188 114	ADVC-16-10-I-P		
		15	188 125	ADVC-16-15-A-P	188 115	ADVC-16-15-I-P		
		20	188 126	ADVC-16-20-A-P	188 116	ADVC-16-20-I-P		
		25	188 127	ADVC-16-25-A-P	188 117	ADVC-16-25-I-P		
	20	5	188 155	ADVC-20-5-A-P	188 145	ADVC-20-5-I-P	–	
		10	188 156	ADVC-20-10-A-P	188 146	ADVC-20-10-I-P		
		15	188 157	ADVC-20-15-A-P	188 147	ADVC-20-15-I-P		
		20	188 158	ADVC-20-20-A-P	188 148	ADVC-20-20-I-P		
		25	188 159	ADVC-20-25-A-P	188 149	ADVC-20-25-I-P		
	25	5	188 187	ADVC-25-5-A-P	188 177	ADVC-25-5-I-P	–	
		10	188 188	ADVC-25-10-A-P	188 178	ADVC-25-10-I-P		
15		188 189	ADVC-25-15-A-P	188 179	ADVC-25-15-I-P			
20		188 190	ADVC-25-20-A-P	188 180	ADVC-25-20-I-P			
25		188 191	ADVC-25-25-A-P	188 181	ADVC-25-25-I-P			

Short-stroke cylinders ADVC

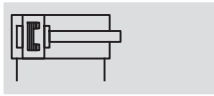
Technical data, double-acting – without position sensing



Ordering data						
Type	Piston Ø [mm]	Stroke [mm]	Piston rod with male thread		Piston rod with female thread	
			Part No.	Type	Part No.	Type
	32	5	188 219	ADVC-32-5-A-P	188 209	ADVC-32-5-I-P
		10	188 220	ADVC-32-10-A-P	188 210	ADVC-32-10-I-P
		15	188 221	ADVC-32-15-A-P	188 211	ADVC-32-15-I-P
		20	188 222	ADVC-32-20-A-P	188 212	ADVC-32-20-I-P
		25	188 223	ADVC-32-25-A-P	188 213	ADVC-32-25-I-P
	40	5	188 247	ADVC-40-5-A-P	188 237	ADVC-40-5-I-P
		10	188 248	ADVC-40-10-A-P	188 238	ADVC-40-10-I-P
		15	188 249	ADVC-40-15-A-P	188 239	ADVC-40-15-I-P
		20	188 250	ADVC-40-20-A-P	188 240	ADVC-40-20-I-P
		25	188 251	ADVC-40-25-A-P	188 241	ADVC-40-25-I-P
	50	10	188 272	ADVC-50-10-A-P	188 264	ADVC-50-10-I-P
		15	188 273	ADVC-50-15-A-P	188 265	ADVC-50-15-I-P
		20	188 274	ADVC-50-20-A-P	188 266	ADVC-50-20-I-P
		25	188 275	ADVC-50-25-A-P	188 267	ADVC-50-25-I-P
	63	10	188 296	ADVC-63-10-A-P	188 288	ADVC-63-10-I-P
		15	188 297	ADVC-63-15-A-P	188 289	ADVC-63-15-I-P
		20	188 298	ADVC-63-20-A-P	188 290	ADVC-63-20-I-P
		25	188 299	ADVC-63-25-A-P	188 291	ADVC-63-25-I-P
	80	10	188 320	ADVC-80-10-A-P	188 312	ADVC-80-10-I-P
		15	188 321	ADVC-80-15-A-P	188 313	ADVC-80-15-I-P
20		188 322	ADVC-80-20-A-P	188 314	ADVC-80-20-I-P	
25		188 323	ADVC-80-25-A-P	188 315	ADVC-80-25-I-P	
100	10	188 344	ADVC-100-10-A-P	188 336	ADVC-100-10-I-P	
	15	188 345	ADVC-100-15-A-P	188 337	ADVC-100-15-I-P	
	20	188 346	ADVC-100-20-A-P	188 338	ADVC-100-20-I-P	
	25	188 347	ADVC-100-25-A-P	188 339	ADVC-100-25-I-P	

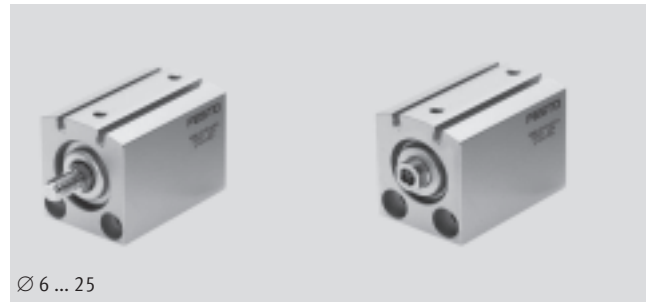
Short-stroke cylinders ADVC

Technical data, double-acting – with position sensing

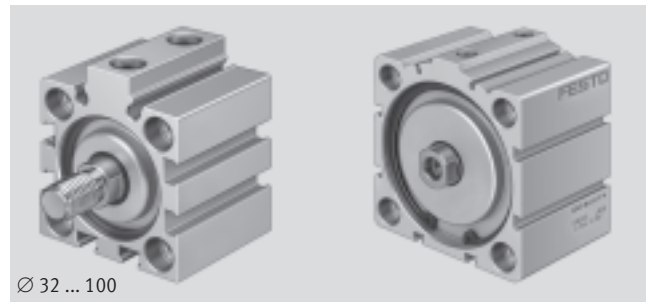


Ø - Diameter
6 ... 100 mm

— | — Stroke length
5 ... 25 mm



Ø 6 ... 25



Ø 32 ... 100

General technical data												
Piston Ø	6	10	12	16	20	25	32	40	50	63	80	100
Pneumatic connection	M3	M5	M5	M5	M5	M5	G1/8	G1/8	G1/8	G1/8	G1/8	G1/4
Piston rod with female thread	–	–	■	■	■	■	■	■	■	■	■	■
Piston rod with male thread	■	■	■	■	■	■	■	■	■	■	■	■
Piston rod without thread	■	■	■	–	–	–	–	–	–	–	–	–
Operating medium	Filtered compressed air, lubricated or unlubricated											
Constructional design	Piston											
	Piston rod											
Cushioning	Flexible cushioning rings/plates at both ends											
Position sensing	For proximity sensing											
Type of mounting	Via through-holes						Via through-holes					
	–						Via accessories					
Mounting position	Any											

Operating conditions												
Piston Ø	6	10	12	16	20	25	32	40	50	63	80	100
Operating pressure [bar]	1.5 ... 8	1 ... 8	1 ... 10				0.6 ... 10					
Ambient temperature [°C]	–20 ... +80 (note operating range of proximity sensors)											
Corrosion resistance class CRC ¹⁾	1											

1) Corrosion resistance class 1 according to Festo standard 940 070
Components requiring low corrosion resistance. Transport and storage protection. Parts that do not have primarily decorative surface requirements, e.g. in internal areas that are not visible or behind covers

Short-stroke cylinders ADVC

Technical data, double-acting – with position sensing

FESTO

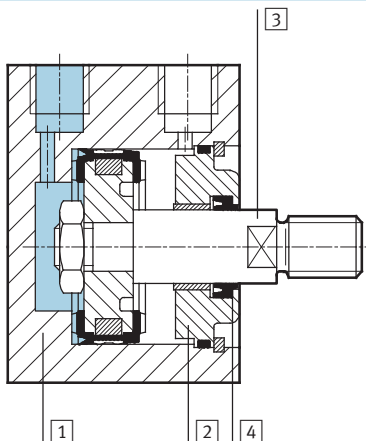
Forces [N] and impact energy [J]												
Piston Ø	6	10	12	16	20	25	32	40	50	63	80	100
Theoretical force at 6 bar, advancing	17	47	68	121	189	295	483	754	1,178	1,870	3,016	4,712
Theoretical force at 6 bar, returning	13	40	51	91	141	247	415	686	1,056	1,750	2,847	4,418
Max. impact energy at end positions	0.005	0.03	0.06	0.10	0.14	0.18	0.26	0.36	0.60	0.64	0.90	1.20

Product weight [g]												
Stroke [mm]	Piston Ø											
	6	10	12	16	20	25	32	40	50	63	80	100
5	20	37	70	98	162	195	320	460	–	–	–	–
10	23	45	79	106	174	210	340	490	630	710	1,940	2,970
15	–	–	–	114	186	225	360	520	665	760	2,025	3,060
20	–	–	–	122	198	240	380	550	700	810	2,110	3,150
25	–	–	–	130	210	255	400	580	735	860	2,195	3,240

Moving load [g]												
Stroke [mm]	Piston Ø											
	6	10	12	16	20	25	32	40	50	63	80	100
5	1.7	3.2	8.5	15	26	32	50	66	–	–	–	–
10	2	3.7	9.6	17	29	35	55	71	116	158	289	555
15	–	–	–	19	32	38	60	76	124	166	301	575
20	–	–	–	21	35	41	65	81	132	174	313	595
25	–	–	–	23	38	44	70	86	140	182	325	615

Materials

Sectional view



Short-stroke cylinder	
1	Cylinder barrel Anodised aluminium
2	Cover cap Anodised aluminium
3	Piston rod High-alloy steel
4	Rod seal Polyurethane
Note on material Free of copper, PTFE and silicone	

Short-stroke cylinders ADVC

Technical data, double-acting – with position sensing



Dimensions Download CAD data → www.festo.com

∅ 6 ... 25 mm

ADVC-...-I-P-A
Piston rod with female thread

ADVC-...-A-P-A
Piston rod with male thread

ADVC-...-P-A
Piston rod without thread

Note
 ∅ 10 mm
 Depending on tolerance, the bearing cap may project by up to 0.65 mm.
 ∅ 12 mm
 Depending on tolerance, the bearing cap may project by up to 0.35 mm.

+ = plus stroke length

1 Slot for proximity sensor SME/SMT-10

∅	AF	AM	D1	D2	E	EE	FB	KF	KK	L2	L3
[mm]	min.	-0.5	∅ max.	∅	max.		∅			+0.2	
6	-	6	-	5 +0.1	16	M3	2.9	-	M3	20.5	2.9
10	-	8	7.5	5.8 +0.1	21	M5	3.4	-	M4	22	3.4
12	8	8	10.7	6 H13	24	M5	3.4	M3	M5	31	3.4
16	10	12	-	8 H13	28	M5	4.5	M4	M6	30	4.6
20	12	12	-	10 H13	32	M5	5.5	M5	M8	32	5.7
25	12	12	-	10 H13	38	M5	5.5	M5	M8	32	5.7

∅	L4	L5	L6	MM	P1	PL	T4	TG	UO	WH	ZJ	∅C1
[mm]			max.	∅				±0.1	max.		±0.8	
6	5	8	-	3	5.2	3	-	10	16	1	21.5	-
10	7	10.5	0.7	4	6	6	-	14	22	1.5	23.5	-
12	8	12	0.4	6	7	6	1.5	16	26	4	35	5
16	12	17	-	8	8	6	2	18	32	4	34	7
20	15	21	-	10	7.5	7	2	20	39	5	37	9
25	15.5	21.5	-	10	10	6	2	26	42	5	37	9

Short-stroke cylinders ADVC

Technical data, double-acting – with position sensing

FESTO

Dimensions Download CAD data → www.festo.com

∅ 32 ... 100 mm

ADVC-...-I-P-A
Piston rod with female thread

ADVC-...-A-P-A**
Piston rod with male thread

+ = plus stroke length

- 1 Slot for proximity sensor SME/SMT-8
- 2 Slot for proximity sensor SME/SMT-10

∅	AF	AM	BG*	D2	E	EE	FB	H	KF	KK
[mm]	min.	-0.5	min.	∅ F9	max.		∅			
32	12	14	21.7	9	45	G $\frac{1}{8}$	5.2	7	M6	M10x1.25
40	12	14	21.7	9	53.5	G $\frac{1}{8}$	5.2	7	M6	M10x1.25
50	16	16	22.8	11	63.5	G $\frac{1}{8}$	6.8	7	M8	M12x1.25
63	16	16	22.8	11	75	G $\frac{1}{8}$	6.8	7.5	M8	M12x1.25
80	20	22	25	14	93	G $\frac{1}{8}$	8.5	7	M10	M16x1.5
100	24	28	25	14	113	G $\frac{1}{4}$	8.5	13	M12	M20x1.5

∅	L2	L3	MM	P1	PL	RT	T4	TG	WH	ZJ	⌀C1
[mm]	+0.2		∅					±0.1		±0.8	
32	33	5.7	12	9	8.5	M6	2.6	32.5	6	39	10
40	38	5.7	12	13.5	9.5	M6	2.6	38	6	44	10
50	38	6.8	16	11.3	9.5	M8	3.3	46.5	8	46	13
63	41	6.8	16	12.5	10.5	M8	3.3	56.5	8	49	13
80	49	9	20	15	8.5	M10	4.7	72	8	57	17
100	58	9	25	16.5	10.5	M10	6.1	89	10	68	22

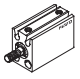
* Continuous thread with short overall length

** Nut for piston rod thread included in scope of delivery

Short-stroke cylinders ADVC

Technical data, double-acting – with position sensing

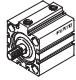


Ordering data								
Type	Piston Ø [mm]	Stroke [mm]	Piston rod with male thread		Piston rod with female thread		Piston rod without thread	
			Part No.	Type	Part No.	Type	Part No.	Type
	6	5	188 064	ADVC-6-5-A-P-A	–		526 901	ADVC-6-5-P-A
		10	188 065	ADVC-6-10-A-P-A			526 902	ADVC-6-10-P-A
	10	5	188 076	ADVC-10-5-A-P-A	–		526 905	ADVC-10-5-P-A
		10	188 077	ADVC-10-10-A-P-A			526 906	ADVC-10-10-P-A
	12	5	188 092	ADVC-12-5-A-P-A	188 088	ADVC-12-5-I-P-A	530 572	ADVC-12-5-P-A
		10	188 093	ADVC-12-10-A-P-A	188 089	ADVC-12-10-I-P-A	530 573	ADVC-12-10-P-A
	16	5	188 118	ADVC-16-5-A-P-A	188 108	ADVC-16-5-I-P-A	–	
		10	188 119	ADVC-16-10-A-P-A	188 109	ADVC-16-10-I-P-A		
		15	188 120	ADVC-16-15-A-P-A	188 110	ADVC-16-15-I-P-A		
		20	188 121	ADVC-16-20-A-P-A	188 111	ADVC-16-20-I-P-A		
		25	188 122	ADVC-16-25-A-P-A	188 112	ADVC-16-25-I-P-A		
	20	5	188 150	ADVC-20-5-A-P-A	188 140	ADVC-20-5-I-P-A	–	
		10	188 151	ADVC-20-10-A-P-A	188 141	ADVC-20-10-I-P-A		
		15	188 152	ADVC-20-15-A-P-A	188 142	ADVC-20-15-I-P-A		
		20	188 153	ADVC-20-20-A-P-A	188 143	ADVC-20-20-I-P-A		
		25	188 154	ADVC-20-25-A-P-A	188 144	ADVC-20-25-I-P-A		
25	5	188 182	ADVC-25-5-A-P-A	188 172	ADVC-25-5-I-P-A	–		
	10	188 183	ADVC-25-10-A-P-A	188 173	ADVC-25-10-I-P-A			
	15	188 184	ADVC-25-15-A-P-A	188 174	ADVC-25-15-I-P-A			
	20	188 185	ADVC-25-20-A-P-A	188 175	ADVC-25-20-I-P-A			
	25	188 186	ADVC-25-25-A-P-A	188 176	ADVC-25-25-I-P-A			

Short-stroke cylinders ADVC

Technical data, double-acting – with position sensing

FESTO

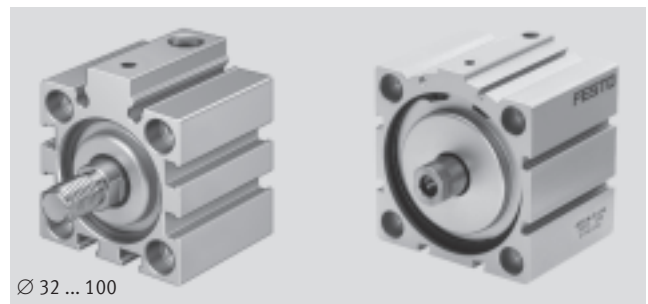
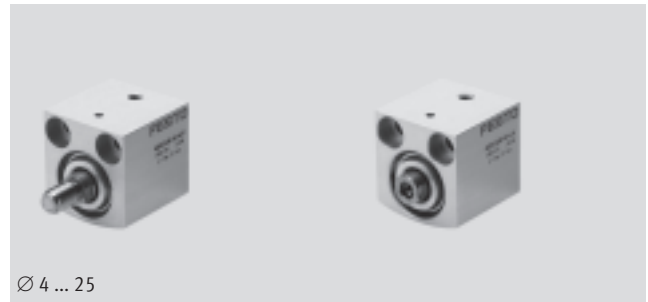
Ordering data						
Type	Piston Ø [mm]	Stroke [mm]	Piston rod with male thread		Piston rod with female thread	
			Part No.	Type	Part No.	Type
	32	5	188 214	ADVC-32-5-A-P-A	188 204	ADVC-32-5-I-P-A
		10	188 215	ADVC-32-10-A-P-A	188 205	ADVC-32-10-I-P-A
		15	188 216	ADVC-32-15-A-P-A	188 206	ADVC-32-15-I-P-A
		20	188 217	ADVC-32-20-A-P-A	188 207	ADVC-32-20-I-P-A
		25	188 218	ADVC-32-25-A-P-A	188 208	ADVC-32-25-I-P-A
	40	5	188 242	ADVC-40-5-A-P-A	188 232	ADVC-40-5-I-P-A
		10	188 243	ADVC-40-10-A-P-A	188 233	ADVC-40-10-I-P-A
		15	188 244	ADVC-40-15-A-P-A	188 234	ADVC-40-15-I-P-A
		20	188 245	ADVC-40-20-A-P-A	188 235	ADVC-40-20-I-P-A
		25	188 246	ADVC-40-25-A-P-A	188 236	ADVC-40-25-I-P-A
	50	10	188 268	ADVC-50-10-A-P-A	188 260	ADVC-50-10-I-P-A
		15	188 269	ADVC-50-15-A-P-A	188 261	ADVC-50-15-I-P-A
		20	188 270	ADVC-50-20-A-P-A	188 262	ADVC-50-20-I-P-A
		25	188 271	ADVC-50-25-A-P-A	188 263	ADVC-50-25-I-P-A
	63	10	188 292	ADVC-63-10-A-P-A	188 284	ADVC-63-10-I-P-A
		15	188 293	ADVC-63-15-A-P-A	188 285	ADVC-63-15-I-P-A
		20	188 294	ADVC-63-20-A-P-A	188 286	ADVC-63-20-I-P-A
		25	188 295	ADVC-63-25-A-P-A	188 287	ADVC-63-25-I-P-A
	80	10	188 316	ADVC-80-10-A-P-A	188 308	ADVC-80-10-I-P-A
		15	188 317	ADVC-80-15-A-P-A	188 309	ADVC-80-15-I-P-A
20		188 318	ADVC-80-20-A-P-A	188 310	ADVC-80-20-I-P-A	
25		188 319	ADVC-80-25-A-P-A	188 311	ADVC-80-25-I-P-A	
100	10	188 340	ADVC-100-10-A-P-A	188 332	ADVC-100-10-I-P-A	
	15	188 341	ADVC-100-15-A-P-A	188 333	ADVC-100-15-I-P-A	
	20	188 342	ADVC-100-20-A-P-A	188 334	ADVC-100-20-I-P-A	
	25	188 343	ADVC-100-25-A-P-A	188 335	ADVC-100-25-I-P-A	

Short-stroke cylinders AEVC

Technical data, single-acting – without position sensing



- Diameter
4 ... 100 mm
- Stroke length
2.5 ... 25 mm



General technical data													
Piston Ø	4	6	10	12	16	20	25	32	40	50	63	80	100
Pneumatic connection	M3	M3	M5	M5	M5	M5	M5	G1/8	G1/8	G1/8	G1/8	G1/8	G1/4
Piston rod with female thread	–	–	–	■	■	■	■	■	■	■	■	■	■
Piston rod with male thread	■	■	■	■	■	■	■	■	■	■	■	■	■
Piston rod without thread	■	■	■	■	–	–	–	–	–	–	–	–	–
Operating medium	Filtered compressed air, lubricated or unlubricated												
Constructional design	Piston												
	Piston rod												
Cushioning	Flexible cushioning rings/plates at both ends												
Type of mounting	Via through-holes							Via through-holes					
	–							Via accessories					
Mounting position	Any												

Operating conditions													
Piston Ø	4	6	10	12	16	20	25	32	40	50	63	80	100
Operating pressure [bar]	2.5 ... 8	2 ... 8	1.5 ... 8	1.5 ... 10				1 ... 10					
Ambient temperature [°C]	–20 ... +80												
Corrosion resistance class CRC ¹⁾	1												

1) Corrosion resistance class 1 according to Festo standard 940 070
Components requiring low corrosion resistance. Transport and storage protection. Parts that do not have primarily decorative surface requirements, e.g. in internal areas that are not visible or behind covers

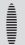
Short-stroke cylinders AEVC

Technical data, single-acting – without position sensing

FESTO

Forces [N] and impact energy [J]													
Piston Ø	4	6	10	12	16	20	25	32	40	50	63	80	100
Theoretical force at 6 bar, advancing	5	11	41	59	105	170	270	450	700	1,120	1,800	2,900	4,500
Theoretical force at 6 bar, returning	1	3	3	4	5	10 ¹⁾	15	22	28	40	50	85	140
Max. impact energy at end positions	0.003	0.005	0.03	0.06	0.10	0.14	0.18	0.26	0.36	0.60	0.64	0.90	1.20

1) AEVC-20-5-... = 5 N

 - Note The degree of friction depends upon the mounting position, and the type of load involved. Single-acting cylinders should as far as possible be operated without lateral forces.

Product weight [g]													
Stroke [mm]	Piston Ø												
	4	6	10	12	16	20	25	32	40	50	63	80	100
2.5	3.7	-	-	-	-	-	-	-	-	-	-	-	-
5	4.5	12	17	24	60	85	130	220	-	-	-	-	-
10	-	18	24	40	80	130	160	290	370	410	490	1,900	2,850
25	-	-	-	-	150	200	250	400	560	680	770	2,400	3,500

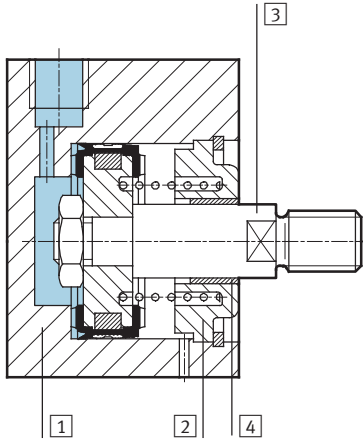
Moving load [g]													
Stroke [mm]	Piston Ø												
	4	6	10	12	16	20	25	32	40	50	63	80	100
2.5	0.15	-	-	-	-	-	-	-	-	-	-	-	-
5	0.2	1	2	4.4	8	14	22	40	-	-	-	-	-
10	-	1.4	2.6	6.9	11	21	25	48	65	105	157	327	678
25	-	-	-	-	19	32	37	62	83	140	191	365	739

Short-stroke cylinders AEVC

Technical data, single-acting – without position sensing

Materials

Sectional view



Short-stroke cylinder	∅ 4	∅ 6 ... 100
1 Cylinder barrel	Anodised aluminium	Anodised aluminium
2 Cover cap	Anodised aluminium	Anodised aluminium
3 Piston rod	Anodised aluminium	High-alloy steel
4 Rod seal	Nitrile rubber	Polyurethane
Note on material	Free of copper, PTFE and silicone	Free of copper, PTFE and silicone

Short-stroke cylinders AEVC

Technical data, single-acting – without position sensing



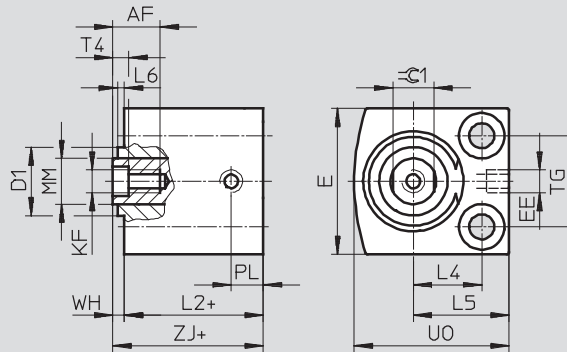
Dimensions

Download CAD data → www.festo.com

∅ 4 ... 25 mm

AEVC...-I-P

Piston rod with female thread



- - Note

∅ 10 mm

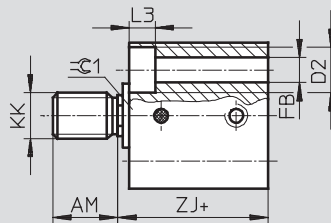
Depending on tolerance, the bearing cap may project by up to 0.65 mm.

∅ 12 mm

Depending on tolerance, the bearing cap may project by up to 0.35 mm.

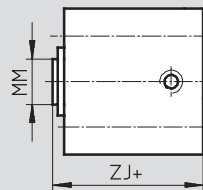
AEVC...-A-P

Piston rod with male thread



AEVC...-P

Piston rod without thread



+ = plus stroke length

Short-stroke cylinders AEVC

Technical data, single-acting – without position sensing

∅ [mm]	Stroke [mm]	AF min.	AM -0.5	D1 ∅ max.	D2 ∅	E max.	EE	FB ∅	KF	KK	L2 +0.2	L3
4	2.5	-	6	-	3.3 +0.1	10	M3	1.8	-	M2	10.5	1.8
	5											
6	5	-	6	-	5 +0.1	13	M3	2.9	-	M3	11	2.9
	10										13.4	
10	5	-	8	7.5	5.8 +0.1	18	M5	3.4	-	M4	11	3.4
	10										13	
12	5	8	8	10.7	6 H13	20	M5	3.4	M3	M5	11	3.4
	10										17.5	
16	5	10	12	-	8 H13	25	M5	4.5	M4	M6	15	4.6
	10										17.5	
	25										22	
20	5	8	12	-	10 H13	32	M5	5.5	M5	M8	15	5.7
	10	12									20.5	
	25	23.5										
25	5	12	12	-	10 H13	38	M5	5.5	M5	M8	21.1	5.7
	10										25.2	
	25											

∅ [mm]	Stroke [mm]	L4	L5	L6 max.	MM ∅	PL	T4	TG ±0.1	UO max.	WH	ZJ ±0.8	∅C1
4	2.5	4	6.5	-	2	3.2	-	5.8	10	1	11.5	-
	5											
6	5	6	9	-	3	3	-	7	14	1	12	-
	10										14.4	
10	5	8	11.5	0.7	4	5.5	-	11	19	1	12	-
	10										14	
12	5	9	13	0.4	6	6	1.5	13	22	1	12	-
	10										18.5	
16	5	11.5	16.5	-	8	6	2	15	27	1	16	7
	10										18.5	
	25										23	
20	5	15	21	-	10	7	2	20	34	1	16	9
	10										21.5	
	25										24.5	
25	5	15.5	21.5	-	10	6.5	2	26	37	1	22.1	9
	10										26.2	
	25											

Short-stroke cylinders AEVC

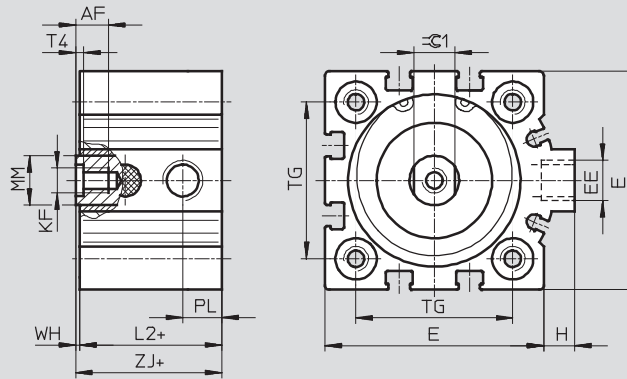
Technical data, single-acting – without position sensing



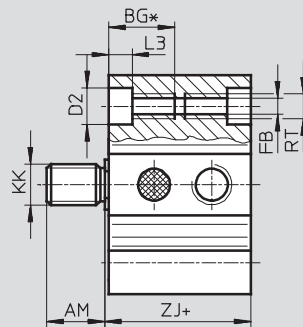
Dimensions Download CAD data → www.festo.com

∅ 32 ... 100 mm

AEVC-...-I-P
Piston rod with female thread



AEVC-...-A-P**
Piston rod with male thread



+ = plus stroke length


∅ [mm]	Stroke [mm]	AF min.	AM -0.5	BG* min.	D2 ∅ F9	E max.	EE	FB ∅	H	KF	KK	L2 +0.2	L3	MM ∅	PL	RT	T4	TG ±0.1	WH	ZJ ±0.8	≈C1
32	5	12	14	21.7	9	45	G $\frac{1}{8}$	5.2	7	M6	M10x1.25	21	5.7	12	9.5	M6	2.6	32.5	1	22	10
	25											26									
	10											25.5									
40	10	12	14	21.7	9	53.5	G $\frac{1}{8}$	5.2	7	M6	M10x1.25	24.5	5.7	12	9.5	M6	2.6	38	1	25.5	10
	25											29.5								30.5	
50	10	16	16	22.8	11	63.5	G $\frac{1}{8}$	6.8	7	M8	M12x1.25	20.6	6.8	16	9.5	M8	3.3	46.5	0.5	21.1	13
	25											28								28.5	
63	10	16	16	22.8	11	75	G $\frac{1}{8}$	6.8	7.5	M8	M12x1.25	25	6.8	16	11.5	M8	3.3	56.5	1	26	13
	25											32								33	
80	10	20	22	25	14	93	G $\frac{1}{8}$	8.5	7	M10	M16x1.5	42	9	20	15	M10	4.7	72	1	43	17
	25											49								49	
100	10	24	28	25	14	113	G $\frac{1}{4}$	8.5	13	M12	M20x1.5	49	9	25	19	M10	6.1	89	1	50	22
	25											50								50	

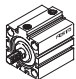
* Continuous thread with short overall length

** Nut for piston rod thread included in scope of delivery

Short-stroke cylinders AEVC

Technical data, single-acting – without position sensing

Ordering data						
Type	Piston Ø [mm]	Stroke [mm]	Piston rod with male thread		Piston rod with female thread	
			Part No.	Type	Part No.	Type
	4	2.5	188 052	AEVC-4-2,5-A-P	-	188 050 AEVC-4-2,5-P
		5	188 053	AEVC-4-5-A-P		188 051 AEVC-4-5-P
	6	5	188 062	AEVC-6-5-A-P	-	188 058 AEVC-6-5-P
		10	188 063	AEVC-6-10-A-P		188 059 AEVC-6-10-P
	10	5	188 074	AEVC-10-5-A-P	-	188 070 AEVC-10-5-P
		10	188 075	AEVC-10-10-A-P		188 071 AEVC-10-10-P
	12	5	188 086	AEVC-12-5-A-P	188 082 AEVC-12-5-I-P	530 566 AEVC-12-5-P
		10	188 087	AEVC-12-10-A-P	188 083 AEVC-12-10-I-P	530 567 AEVC-12-10-P
	16	5	188 105	AEVC-16-5-A-P	188 099 AEVC-16-5-I-P	-
		10	188 106	AEVC-16-10-A-P	188 100 AEVC-16-10-I-P	
		25	188 107	AEVC-16-25-A-P	188 101 AEVC-16-25-I-P	
	20	5	188 137	AEVC-20-5-A-P	188 131 AEVC-20-5-I-P	-
		10	188 138	AEVC-20-10-A-P	188 132 AEVC-20-10-I-P	
		25	188 139	AEVC-20-25-A-P	188 133 AEVC-20-25-I-P	
	25	5	188 169	AEVC-25-5-A-P	188 163 AEVC-25-5-I-P	-
		10	188 170	AEVC-25-10-A-P	188 164 AEVC-25-10-I-P	
		25	188 171	AEVC-25-25-A-P	188 165 AEVC-25-25-I-P	

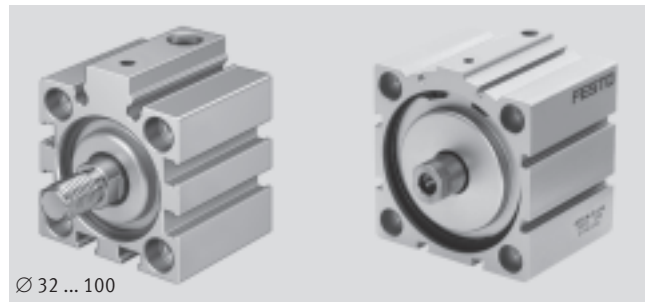
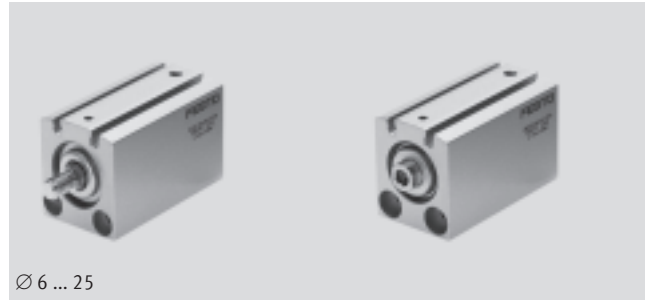
Ordering data						
Type	Piston Ø [mm]	Stroke [mm]	Piston rod with male thread		Piston rod with female thread	
			Part No.	Type	Part No.	Type
	32	5	188 201	AEVC-32-5-A-P	188 195 AEVC-32-5-I-P	
		10	188 202	AEVC-32-10-A-P	188 196 AEVC-32-10-I-P	
		25	188 203	AEVC-32-25-A-P	188 197 AEVC-32-25-I-P	
	40	10	188 230	AEVC-40-10-A-P	188 226 AEVC-40-10-I-P	
		25	188 231	AEVC-40-25-A-P	188 227 AEVC-40-25-I-P	
	50	10	188 258	AEVC-50-10-A-P	188 254 AEVC-50-10-I-P	
		25	188 259	AEVC-50-25-A-P	188 255 AEVC-50-25-I-P	
	63	10	188 282	AEVC-63-10-A-P	188 278 AEVC-63-10-I-P	
		25	188 283	AEVC-63-25-A-P	188 279 AEVC-63-25-I-P	
	80	10	188 306	AEVC-80-10-A-P	188 302 AEVC-80-10-I-P	
		25	188 307	AEVC-80-25-A-P	188 303 AEVC-80-25-I-P	
	100	10	188 330	AEVC-100-10-A-P	188 326 AEVC-100-10-I-P	
		25	188 331	AEVC-100-25-A-P	188 327 AEVC-100-25-I-P	

Short-stroke cylinders AEVC

Technical data, single-acting – with position sensing



- - Diameter
6 ... 100 mm
- - Stroke length
5 ... 25 mm



General technical data												
Piston Ø	6	10	12	16	20	25	32	40	50	63	80	100
Pneumatic connection	M3	M5	M5	M5	M5	M5	G1/8	G1/8	G1/8	G1/8	G1/8	G1/4
Piston rod with female thread	-	-	■	■	■	■	■	■	■	■	■	■
Piston rod with male thread	■	■	■	■	■	■	■	■	■	■	■	■
Piston rod without thread	■	■	■	-	-	-	-	-	-	-	-	-
Operating medium	Filtered compressed air, lubricated or unlubricated											
Constructional design	Piston											
	Piston rod											
Cushioning	Flexible cushioning rings/plates at both ends											
Position sensing	For proximity sensing											
Type of mounting	Via through-holes						Via through-holes					
	-						Via accessories					
Mounting position	Any											

Operating conditions												
Piston Ø	6	10	12	16	20	25	32	40	50	63	80	100
Operating pressure [bar]	2 ... 8	1.5 ... 8	1.5 ... 10				1 ... 10					
Ambient temperature [°C]	-20 ... +80 (note operating range of proximity sensors)											
Corrosion resistance class CRC ¹⁾	1											


1) Corrosion resistance class 1 according to Festo standard 940 070
Components requiring low corrosion resistance. Transport and storage protection. Parts that do not have primarily decorative surface requirements, e.g. in internal areas that are not visible or behind covers

Short-stroke cylinders AEVC

Technical data, single-acting – with position sensing

Forces [N] and impact energy [J]												
Piston Ø	6	10	12	16	20	25	32	40	50	63	80	100
Theoretical force at 6 bar, advancing	11	41	59	105	170	270	450	700	1,120	1,800	2,900	4,500
Theoretical force at 6 bar, returning	3	3	4	5	10 ¹⁾	15	22	28	40	50	85	140
Max. impact energy at end positions	0.005	0.03	0.06	0.10	0.14	0.18	0.26	0.36	0.60	0.64	0.90	1.20

1) AEVC-20-5-... = 5 N

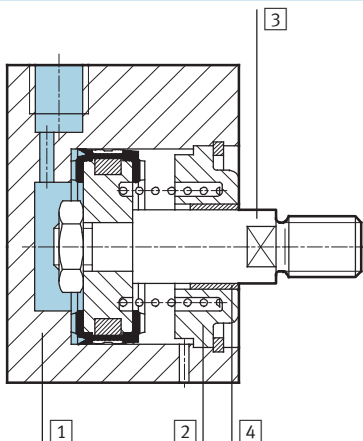
 Note The degree of friction depends upon the mounting position, and the type of load involved. Single-acting cylinders should as far as possible be operated without lateral forces.

Product weight [g]												
Stroke [mm]	Piston Ø											
	6	10	12	16	20	25	32	40	50	63	80	100
5	19	37	70	95	160	195	320	–	–	–	–	–
10	23	44	79	105	170	205	340	490	630	720	1,940	2,970
25	–	–	–	130	200	250	390	580	730	870	3,290	3,220

Moving load [g]												
Stroke [mm]	Piston Ø											
	6	10	12	16	20	25	32	40	50	63	80	100
5	1.5	3	8.5	15	26	32	49	–	–	–	–	–
10	1.8	3.5	9.5	17	29	35	54	70	116	155	284	546
25	–	–	–	26	40	47	67	83	140	179	321	604

Materials

Sectional view



Short-stroke cylinder	
1	Cylinder barrel Anodised aluminium
2	Cover cap Anodised aluminium
3	Piston rod High-alloy steel
4	Rod seal Polyurethane
Note on material Free of copper, PTFE and silicone	

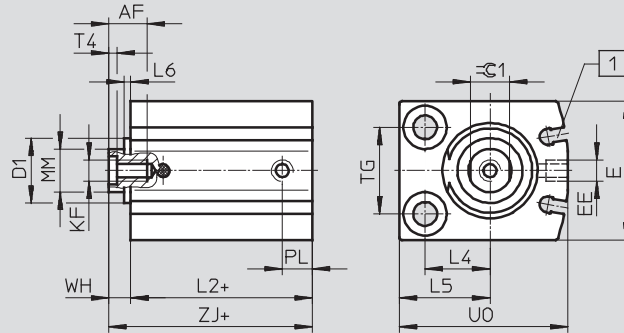
Short-stroke cylinders AEVC


Technical data, single-acting – with position sensing

Dimensions Download CAD data → www.festo.com

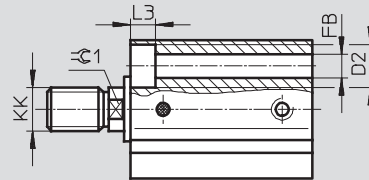
∅ 6 ... 25 mm

AEVC...-I-P-A
Piston rod with female thread

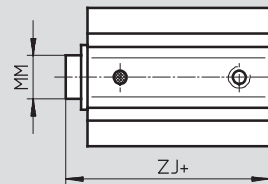


-  - Note
 ∅ 10 mm
 Depending on tolerance, the bearing cap may project by up to 0.65 mm.
 ∅ 12 mm
 Depending on tolerance, the bearing cap may project by up to 0.35 mm.

AEVC...-A-P-A
Piston rod with male thread



AEVC...-P-A
Piston rod without thread



+ = plus stroke length

1 Slot for proximity sensor
SME/SMT-10

Short-stroke cylinders AEVC

Technical data, single-acting – with position sensing

FESTO

∅ [mm]	Stroke [mm]	AF min.	AM	D1 ∅ max.	D2 ∅	E max.	EE	FB ∅	KF	KK	L2 +0.2	L3
6	5	–	6	–	5 +0.1	16	M3	2.9	–	M3	20.5	2.9
	10											
10	5	–	8	7.5	5.8 +0.1	21	M5	3.4	–	M4	22	3.4
	10											
12	5	8	8	10.7	6 H13	24	M5	3.4	M3	M5	31	3.4
	10											
16	5	10	12	–	8 H13	28	M5	4.5	M4	M6	30	4.6
	10										34.5	
	25											
20	5	12	12	–	10 H13	32	M5	5.5	M5	M8	32	5.7
	10										35	
	25											
25	5	12	12	–	10 H13	38	M5	5.5	M5	M8	32	5.7
	10										36.1	
	25											

∅ [mm]	Stroke [mm]	L4	L5	L6 max.	MM ∅	PL	T4	TG ±0.1	U0 max.	WH	ZJ ±0.8	≈G1
6	5	5	8	–	3	3	–	10	16	1	21.5	–
	10											
10	5	7	10.5	0.7	4	6	–	14	22	1.5	23.5	–
	10											
12	5	8	12	0.4	6	6	1.5	16	26	4	35	5
	10											
16	5	12	17	–	8	6	2	18	32	4	34	7
	10										38.5	
	25											
20	5	15	21	–	10	7	2	20	39	5	37	9
	10										40	
	25											
25	5	15.5	21.5	–	10	6	2	26	42	5	37	9
	10										41.1	
	25											

Short-stroke cylinders AEVC

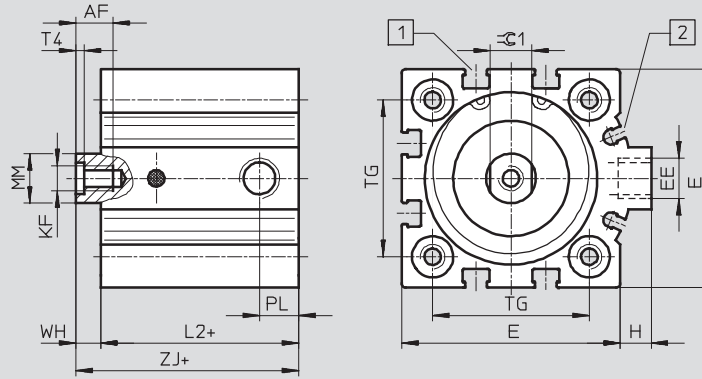
Technical data, single-acting – with position sensing



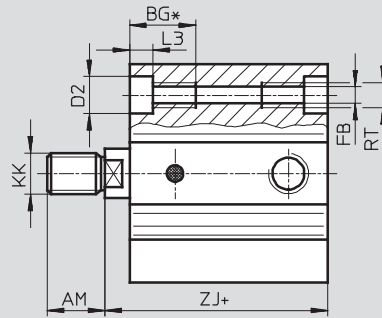
Dimensions Download CAD data → www.festo.com

∅ 32 ... 100 mm

AEVC-...-I-P-A
Piston rod with female thread



AEVC-...-A-P-A**
Piston rod with male thread



+ = plus stroke length

1 Slot for proximity sensor SME/SMT-8

2 Slot for proximity sensor SME/SMT-10

∅	AF	AM	BG*	D2	E	EE	FB	H	KF	KK
	min.	-0.5	min.	∅ F9	max.		∅			
32	12	14	21.7	9	45	G1/8	5.2	7	M6	M10x1.25
40	12	14	21.7	9	53.5	G1/8	5.2	7	M6	M10x1.25
50	16	16	22.8	11	63.5	G1/8	6.8	7	M8	M12x1.25
63	16	16	22.8	11	75	G1/8	6.8	7.5	M8	M12x1.25
80	20	22	25	14	93	G1/8	8.5	7	M10	M16x1.5
100	24	28	25	14	113	G1/4	8.5	13	M12	M20x1.5

∅	L2	L3	MM	PL	RT	T4	TG	WH	ZJ	∅C1
	+0.2		∅				±0.1		±0.8	
32	33	5.7	12	8.5	M6	2.6	32.5	6	39	10
40	38	5.7	12	9.5	M6	2.6	38	6	44	10
50	38	6.8	16	9.5	M8	3.3	46.5	8	48	13
63	41	6.8	16	10.5	M8	3.3	56.5	8	49	13
80	49	9	20	8.5	M10	4.7	72	8	57	17
100	58	9	25	10.5	M10	6.1	89	10	68	22

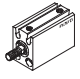
* Continuous thread with short overall length

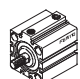
** Nut for piston rod thread included in scope of delivery

Short-stroke cylinders AEVC

Technical data, single-acting – with position sensing

FESTO

Ordering data								
Type	Piston Ø [mm]	Stroke [mm]	Piston rod with male thread		Piston rod with female thread			
			Part No.	Type	Part No.	Type		
	6	5	188 060	AEVC-6-5-A-P-A	–	188 056	AEVC-6-5-P-A	
		10	188 061	AEVC-6-10-A-P-A		188 057	AEVC-6-10-P-A	
	10	5	188 072	AEVC-10-5-A-P-A	–	188 068	AEVC-10-5-P-A	
		10	188 073	AEVC-10-10-A-P-A		188 069	AEVC-10-10-P-A	
	12	5	188 084	AEVC-12-5-A-P-A	188 080	AEVC-12-5-I-P-A	530 570	AEVC-12-5-P-A
		10	188 085	AEVC-12-10-A-P-A	188 081	AEVC-12-10-I-P-A	530 571	AEVC-12-10-P-A
	16	5	188 102	AEVC-16-5-A-P-A	188 096	AEVC-16-5-I-P-A	–	
		10	188 103	AEVC-16-10-A-P-A	188 097	AEVC-16-10-I-P-A		
		25	188 104	AEVC-16-25-A-P-A	188 098	AEVC-16-25-I-P-A		
	20	5	188 134	AEVC-20-5-A-P-A	188 128	AEVC-20-5-I-P-A	–	
		10	188 135	AEVC-20-10-A-P-A	188 129	AEVC-20-10-I-P-A		
		25	188 136	AEVC-20-25-A-P-A	188 130	AEVC-20-25-I-P-A		
	25	5	188 166	AEVC-25-5-A-P-A	188 160	AEVC-25-5-I-P-A	–	
		10	188 167	AEVC-25-10-A-P-A	188 161	AEVC-25-10-I-P-A		
		25	188 168	AEVC-25-25-A-P-A	188 162	AEVC-25-25-I-P-A		

Ordering data						
Type	Piston Ø [mm]	Stroke [mm]	Piston rod with male thread		Piston rod with female thread	
			Part No.	Type	Part No.	Type
	32	5	188 198	AEVC-32-5-A-P-A	188 192	AEVC-32-5-I-P-A
		10	188 199	AEVC-32-10-A-P-A	188 193	AEVC-32-10-I-P-A
		25	188 200	AEVC-32-25-A-P-A	188 194	AEVC-32-25-I-P-A
	40	10	188 228	AEVC-40-10-A-P-A	188 224	AEVC-40-10-I-P-A
		25	188 229	AEVC-40-25-A-P-A	188 225	AEVC-40-25-I-P-A
	50	10	188 256	AEVC-50-10-A-P-A	188 252	AEVC-50-10-I-P-A
		25	188 257	AEVC-50-25-A-P-A	188 253	AEVC-50-25-I-P-A
	63	10	188 280	AEVC-63-10-A-P-A	188 276	AEVC-63-10-I-P-A
		25	188 281	AEVC-63-25-A-P-A	188 277	AEVC-63-25-I-P-A
	80	10	188 304	AEVC-80-10-A-P-A	188 300	AEVC-80-10-I-P-A
		25	188 305	AEVC-80-25-A-P-A	188 301	AEVC-80-25-I-P-A
	100	10	188 328	AEVC-100-10-A-P-A	188 324	AEVC-100-10-I-P-A
		25	188 329	AEVC-100-25-A-P-A	188 325	AEVC-100-25-I-P-A

Short-stroke cylinders ADVC/AEVC

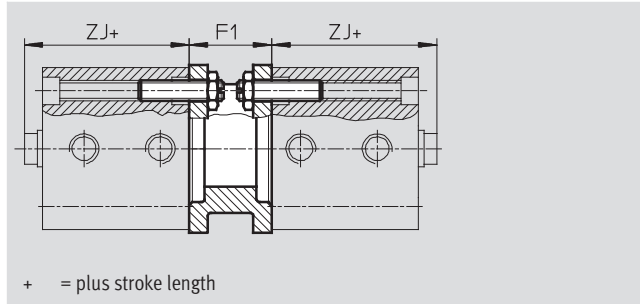
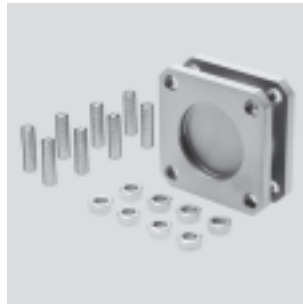
Accessories



Adapter kit DPNC

Material:

Flange: Wrought aluminium alloy
Threaded studs, hex nuts: Galvanised steel



Dimensions and ordering data									
For \varnothing [mm]	Stroke [mm]	F1	ZJ				Weight [g]	Part No.	Type
			without position sensing		with position sensing				
			ADVC	AEVC	ADVC	AEVC			
32	5	27	35	22	39	39	85	174 418	DPNC-32
	10, 15, 20, 25			26					
40	5, 10	27	35.5	25.5	44	44	115	174 419	DPNC-40
	15, 20, 25			30.5					
50	10	32	36	21.1	46	48	210	174 420	DPNC-50
	15, 20, 25			28.5					
63	10	28	43	26	49	49	360	174 421	DPNC-63
	15, 20, 25			33					
80	10, 15, 20, 25	38	48	43	57	57	620	174 422	DPNC-80
100	10, 15, 20, 25	38	59	50	68	68	1,190	174 423	DPNC-100

Connecting two cylinders with identical piston \varnothing as a 3 or 4-position cylinder

A 3 or 4-position cylinder consists of two separate cylinders whose piston rods advance in opposing directions.

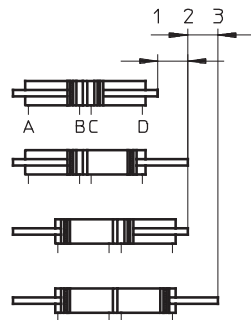
This means that depending upon actuation and stroke pattern, this type of cylinder can assume up to four

positions. In each case the cylinder is driven precisely against a stop. Note that when one end of the piston rod is

fixed, the cylinder barrel executes the movement. The cylinder must be connected with flexible line connections.

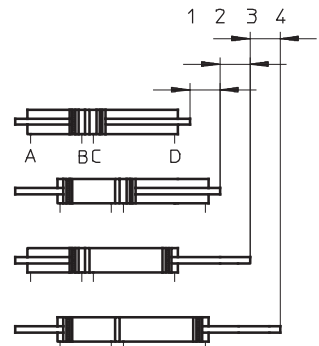
To achieve 3 positions

Two cylinders with identical stroke length must be connected together.



To achieve 4 positions

Two cylinders with different stroke lengths must be connected together.

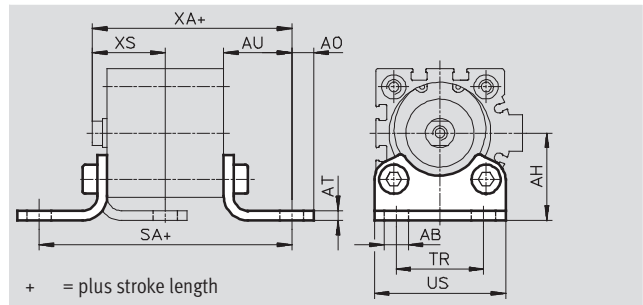


Short-stroke cylinders ADVC/AEVC

Accessories

Foot mounting HNC


Material:
Galvanised steel
Free of copper, PTFE and silicone



Dimensions and ordering data												
For Ø [mm]	Stroke [mm]	AB Ø	AH	AO	AT	AU	SA				TR	US
							without position sensing		with position sensing			
							ADVC	AEVC	ADVC	AEVC		
32	5	7	32	6.5	4	24	77	69	81	81	32	45
	10, 15, 20, 25							73				
40	5, 10	10	36	9	4	28	85.5	80.5	94	94	36	54
	15, 20, 25							85.5				
50	10	10	45	9.5	5	32	92	84.6	102	104	45	64
	15, 20, 25							92				
63	10	10	50	12.5	5	32	99	89	105	105	50	75
	15, 20, 25							96				
80	10, 15, 20, 25	12	63	15	6	41	122	124	131	131	63	93
100	10, 15, 20, 25	14.5	71	17.5	6	41	131	131	140	140	75	110

For Ø [mm]	Stroke [mm]	XA				XS				CRC ¹⁾	Weight [g]	Part No.	Type
		without position sensing		with position sensing		without position sensing		with position sensing					
		ADVC	AEVC	ADVC	AEVC	ADVC	AEVC	ADVC	AEVC				
32	5	59	46	63	63	26	21	26	26	2	144	174 369	HNC-32
	10, 15, 20, 25		50										
40	5, 10	63.5	53.5	72	72	30	25	30	30	2	193	174 370	HNC-40
	15, 20, 25		58.5										
50	10	68	53.1	78	80	35	27.5	35	35	2	353	174 371	HNC-50
	15, 20, 25		60.5										
63	10	75	58	81	81	35	28	35	35	2	436	174 372	HNC-63
	15, 20, 25		65										
80	10, 15, 20, 25	89	84	98	98	43	36	43	43	2	829	174 373	HNC-80
100	10, 15, 20, 25	100	91	109	109	45	36	45	45	2	1,009	174 374	HNC-100

1) Corrosion resistance class 2 according to Festo standard 940 070
Components requiring moderate corrosion resistance. Externally visible parts with primarily decorative surface requirements which are in direct contact with a normal industrial environment or media such as coolants or lubricating agents

 Note
Screws with special lengths are required to fit the sizes Ø 80 mm and Ø 100 mm. → 43

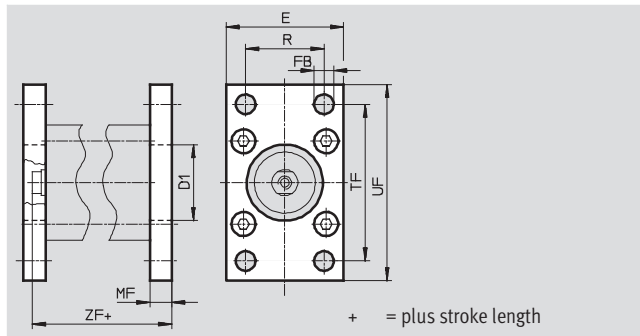
Short-stroke cylinders ADVC/AEVC

Accessories



Flange mounting FNC

Material:
Galvanised steel
Free of copper, PTFE and silicone



Dimensions and ordering data								
For \varnothing [mm]	Stroke [mm]	D1 \varnothing H11	E	FB \varnothing H13	MF	R	TF	UF
32	5	30	45	7	10	32	64	80
	10, 15, 20, 25							
40	5, 10	35	54	9	10	36	72	90
	15, 20, 25							
50	10	40	65	9	12	45	90	110
	15, 20, 25							
63	10	45	75	9	12	50	100	120
	15, 20, 25							
80	10, 15, 20, 25	45	93	12	16	63	126	150
100	10, 15, 20, 25	55	110	14	16	75	150	175

For \varnothing [mm]	Stroke [mm]	ZF				CRC ¹⁾	Weight [g]	Part No.	Type
		without position sensing		with position sensing					
		ADVC	AEVC	ADVC	AEVC				
32	5	45	32	49	49	2	240	174 376	FNC-32
	10, 15, 20, 25		36						
40	5, 10	45.5	35.5	54	54	2	280	174 377	FNC-40
	15, 20, 25		40.5						
50	10	48	33.5	58	60	2	520	174 378	FNC-50
	15, 20, 25		40.5						
63	10	55	38	61	61	2	690	174 379	FNC-63
	15, 20, 25		45						
80	10, 15, 20, 25	64	59	73	73	2	1,650	174 380	FNC-80
100	10, 15, 20, 25	75	66	84	84	2	2,400	174 381	FNC-100

1) Corrosion resistance class 2 according to Festo standard 940 070
Components requiring moderate corrosion resistance. Externally visible parts with primarily decorative surface requirements which are in direct contact with a normal industrial environment or media such as coolants or lubricating agents

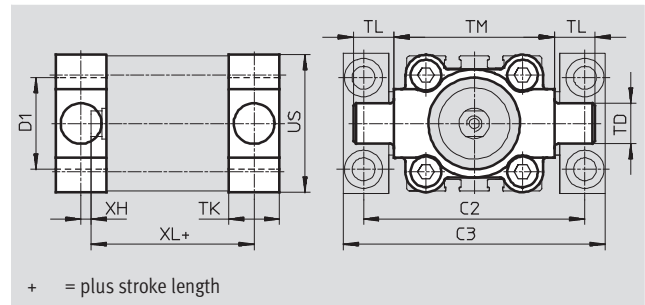
- - Note
Screws with special lengths are required to fit the sizes \varnothing 80 mm and \varnothing 100 mm. → 43

Short-stroke cylinders ADVC/AEVC

Accessories

Trunnion flange ZNCF

Material:
Special steel casting
Free of copper, PTFE and silicone



Dimensions and ordering data										
For Ø	Stroke	C2	C3	D1	TD	TK	TL	TM	US	XH
[mm]	[mm]			Ø H11	Ø e9					
32	5	71	86	30	12	16	12	50	45	2
	10, 15, 20, 25									
40	5, 10	87	105	35	16	20	16	63	54	4
	15, 20, 25									
50	10	99	117	40	16	24	16	75	64	4
	15, 20, 25									
63	10	116	136	45	20	24	20	90	75	4
	15, 20, 25									
80	10, 15, 20, 25	136	156	45	20	28	20	110	93	6
100	10, 15, 20, 25	164	189	55	25	38	25	132	110	9

For Ø	Stroke	XL				CRC ¹⁾	Weight	Part No.	Type
		without position sensing		with position sensing					
[mm]	[mm]	ADVC	AEVC	ADVC	AEVC		[g]		
32	5	43	30	47	47	2	150	174 411	ZNCF-32
	10, 15, 20, 25		34						
40	5, 10	45.5	35.5	54	54	2	285	174 412	ZNCF-40
	15, 20, 25		40.5						
50	10	48	33.1	58	60	2	473	174 413	ZNCF-50
	15, 20, 25		40.5						
63	10	55	38	61	61	2	687	174 414	ZNCF-63
	15, 20, 25		45						
80	10, 15, 20, 25	62	57	71	71	2	1,296	174 415	ZNCF-80
100	10, 15, 20, 25	78	69	87	87	2	2,254	174 416	ZNCF-100

1) Corrosion resistance class 2 according to Festo standard 940 070
Components requiring moderate corrosion resistance. Externally visible parts with primarily decorative surface requirements which are in direct contact with a normal industrial environment or media such as coolants or lubricating agents

- Note
Screws with special lengths are required to fit the sizes Ø 80 mm and Ø 100 mm. → 43

Short-stroke cylinders ADVC/AEVC

Accessories



Trunnion support LN2G

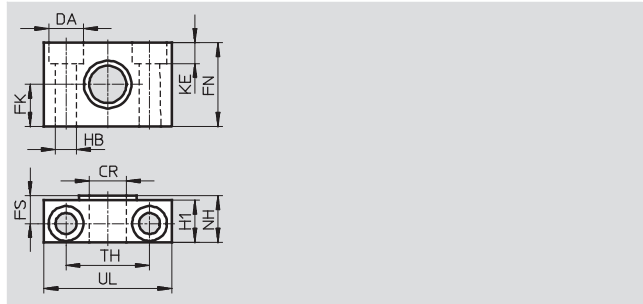
Material:

Trunnion support:

Anodised aluminium

Plain bearing: Plastic

Free of copper, PTFE and silicone



Dimensions and ordering data															
For \varnothing	CR	DA	FK	FN	FS	H1	HB	KE	NH	TH	UL	CRC ¹⁾	Weight	Part No.	Type
[mm]	\varnothing D11	\varnothing H13	\varnothing ± 0.1				\varnothing H13			± 0.2			[g]		
32	12	11	15	30	10.5	15	6.6	6.8	18	32	46	2	125	32 959	LN2G-32
40, 50	16	15	18	36	12	18	9	9	21	36	55	2	400	32 960	LN2G-40/50
63, 80	20	18	20	40	13	20	11	11	23	42	65	2	480	32 961	LN2G-63/80
100	25	20	25	50	16	24.5	14	13	28.5	50	75	2	960	32 962	LN2G-100/125

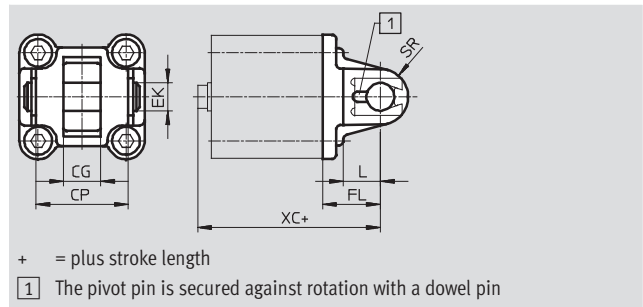
1) Corrosion resistance class 2 according to Festo standard 940 070
 Components requiring moderate corrosion resistance. Externally visible parts with primarily decorative surface requirements which are in direct contact with a normal industrial environment or media such as coolants or lubricating agents

Short-stroke cylinders ADVC/AEVC

Accessories

Swivel flange SNC

Material:
Die-cast aluminium



Dimensions and ordering data							
For Ø	Stroke	CG	CP	EK	FL	L	SR
[mm]	[mm]	H14	h14	Ø h9	±0.2		
32	5	14	34	10	22	13	10
	10, 15, 20, 25						
40	5, 10	16	40	12	25	16	12
	15, 20, 25						
50	10	21	45	16	27	16	12
	15, 20, 25						
63	10	21	51	16	32	21	16
	15, 20, 25						
80	10, 15, 20, 25	25	65	20	36	22	16
100	10, 15, 20, 25	25	75	20	41	27	20

For Ø	Stroke	XC				CRC ¹⁾	Weight	Part No.	Type
		without position sensing		with position sensing					
[mm]	[mm]	ADVC	AEVC	ADVC	AEVC		[g]		
32	5	57	44	61	61	2	90	174 383	SNC-32
	10, 15, 20, 25		48						
40	5, 10	60.5	50.5	69	69	2	120	174 384	SNC-40
	15, 20, 25		55.5						
50	10	63	48.1	73	75	2	240	174 385	SNC-50
	15, 20, 25		55.5						
63	10	75	58	81	81	2	320	174 386	SNC-63
	15, 20, 25		65						
80	10, 15, 20, 25	84	79	93	93	2	625	174 387	SNC-80
100	10, 15, 20, 25	100	91	109	109	2	830	174 388	SNC-100

1) Corrosion resistance class 2 according to Festo standard 940 070
Components requiring moderate corrosion resistance. Externally visible parts with primarily decorative surface requirements which are in direct contact with a normal industrial environment or media such as coolants or lubricating agents

- Note
Screws with special lengths are required to fit the sizes Ø 80 mm and Ø 100 mm. → 43

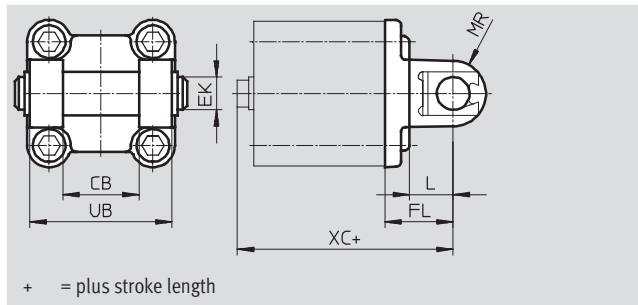
Short-stroke cylinders ADVC/AEVC

Accessories

FESTO

Swivel flange SNCB


Material:
Die-cast aluminium
Free of copper, PTFE and silicone



Dimensions and ordering data								
For \varnothing	Stroke	CB	EK	FL	L	ML	MR	UB
[mm]	[mm]	H14	\varnothing e8	± 0.2				h14
32	5	26	10	22	13	55	8.5	45
	10, 15, 20, 25							
40	5, 10	28	12	25	16	63	12	52
	15, 20, 25							
50	10	32	12	27	16	71	12	60
	15, 20, 25							
63	10	40	16	32	21	83	16	70
	15, 20, 25							
80	10, 15, 20, 25	50	16	36	22	103	16	90
100	10, 15, 20, 25	60	20	41	27	127	20	110

For \varnothing	Stroke	XC				CRC ¹⁾	Weight	Part No.	Type
		without position sensing		with position sensing					
[mm]	[mm]	ADVC	AEVC	ADVC	AEVC		[g]		
32	5	57	44	61	61	2	100	174 390	SNCB-32
	10, 15, 20, 25		48						
40	5, 10	60.5	50.5	69	69	2	150	174 391	SNCB-40
	15, 20, 25		55.5						
50	10	63	48.1	73	75	2	225	174 392	SNCB-50
	15, 20, 25		55.5						
63	10	75	58	81	81	2	365	174 393	SNCB-63
	15, 20, 25		65						
80	10, 15, 20, 25	84	79	93	93	2	610	174 394	SNCB-80
100	10, 15, 20, 25	100	91	109	109	2	925	174 395	SNCB-100

1) Corrosion resistance class 2 according to Festo standard 940 070
Components requiring moderate corrosion resistance. Externally visible parts with primarily decorative surface requirements which are in direct contact with a normal industrial environment or media such as coolants or lubricating agents

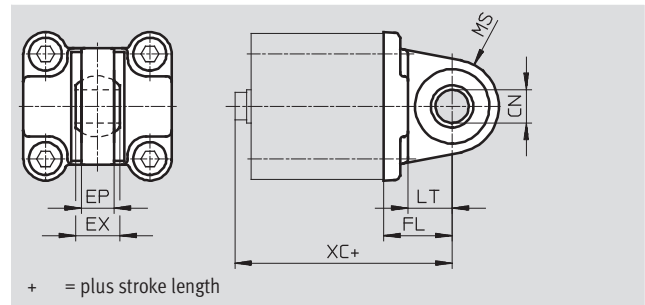
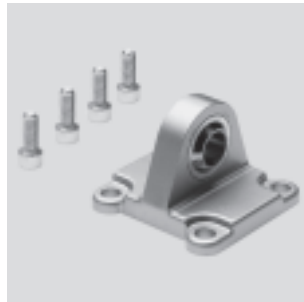
 - Note
Screws with special lengths are required to fit the sizes \varnothing 80 mm and \varnothing 100 mm. → 43

Short-stroke cylinders ADVC/AEVC

Accessories

Swivel flange SNCS

Material:
Die-cast aluminium



Dimensions and ordering data							
For Ø	Stroke	CN	EP	EX	FL	LT	MS
[mm]	[mm]	Ø H7	±0.2		±0.2		
32	5	10	10.5	14	22	13	15
	10, 15, 20, 25						
40	5, 10	12	12	16	25	16	17
	15, 20, 25						
50	10	16	15	21	27	16	20
	15, 20, 25						
63	10	16	15	21	32	21	22
	15, 20, 25						
80	10, 15, 20, 25	20	18	25	36	22	27
100	10, 15, 20, 25	20	18	25	41	27	29

For Ø	Stroke	XC				CRC ¹⁾	Weight	Part No.	Type
		without position sensing		with position sensing					
[mm]	[mm]	ADVC	AEVC	ADVC	AEVC		[g]		
32	5	57	44	61	61	2	85	174 397	SNCS-32
	10, 15, 20, 25		48						
40	5, 10	60.5	50.5	69	69	2	125	174 398	SNCS-40
	15, 20, 25		55.5						
50	10	63	48.1	73	75	2	210	174 399	SNCS-50
	15, 20, 25		55.5						
63	10	75	58	81	81	2	280	174 400	SNCS-63
	15, 20, 25		65						
80	10, 15, 20, 25	84	79	93	93	2	540	174 401	SNCS-80
100	10, 15, 20, 25	100	91	109	109	2	700	174 402	SNCS-100

1) Corrosion resistance class 2 according to Festo standard 940 070
Components requiring moderate corrosion resistance. Externally visible parts with primarily decorative surface requirements which are in direct contact with a normal industrial environment or media such as coolants or lubricating agents

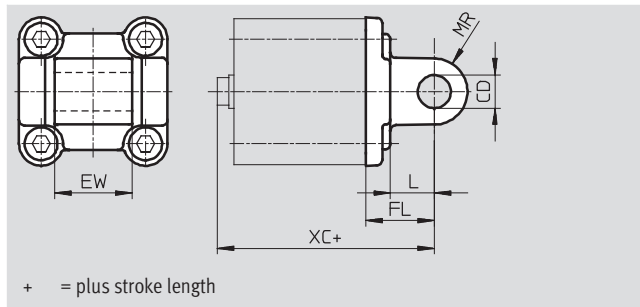
- Note
Screws with special lengths are required to fit the sizes Ø 80 mm and Ø 100 mm. → 43

Short-stroke cylinders ADVC/AEVC

Accessories

Swivel flange SNCL

Material:
Die-cast aluminium
Free of copper, PTFE and silicone



Dimensions and ordering data						
For Ø	Stroke	CD	EW	FL	L	MR
[mm]	[mm]	Ø H9	-0.2/-0.6	±0.2		
32	5	10	26	22	13	10
	10, 15, 20, 25					
40	5, 10	12	28	25	16	12
	15, 20, 25					
50	10	12	32	27	16	12
	15, 20, 25					
63	10	16	40	32	21	16
	15, 20, 25					
80	10, 15, 20, 25	16	50	36	22	16
100	10, 15, 20, 25	20	60	41	27	20

For Ø	Stroke	XC				CRC ¹⁾	Weight	Part No.	Type
		without position sensing		with position sensing					
[mm]	[mm]	ADVC	AEVC	ADVC	AEVC	[g]			
32	5	57	44	61	61	2	75	174 404	SNCL-32
	10, 15, 20, 25		48						
40	5, 10	60.5	50.5	69	69	2	100	174 405	SNCL-40
	15, 20, 25		55.5						
50	10	63	48.1	73	75	2	160	174 406	SNCL-50
	15, 20, 25		55.5						
63	10	75	58	81	81	2	250	174 407	SNCL-63
	15, 20, 25		65						
80	10, 15, 20, 25	84	79	93	93	2	405	174 408	SNCL-80
100	10, 15, 20, 25	100	91	109	109	2	655	174 409	SNCL-100

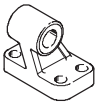
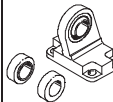
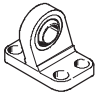

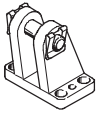
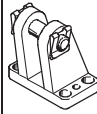
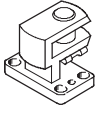
1) Corrosion resistance class 2 according to Festo standard 940 070
Components requiring moderate corrosion resistance. Externally visible parts with primarily decorative surface requirements which are in direct contact with a normal industrial environment or media such as coolants or lubricating agents


- Note
Screws with special lengths are required to fit the sizes Ø 80 mm and Ø 100 mm. → 43

Short-stroke cylinders ADVC/AEVC

Accessories

FESTO

Ordering data – Mounting attachments				Technical data → Internet: clevis foot				
Designation	For Ø	Part No.	Type	Designation	For Ø	Part No.	Type	
Clevis foot mounting LNG				Clevis foot mounting LSN				
	32	33 890	LNG-32		32	5 561	LSN-32	
	40	33 891	LNG-40		40	5 562	LSN-40	
	50	33 892	LNG-50		50	5 563	LSN-50	
	63	33 893	LNG-63		63	5 564	LSN-63	
	80	33 894	LNG-80		80	5 565	LSN-80	
	100	33 895	LNG-100		100	5 566	LSN-100	
Clevis foot mounting LSNG				Weld-on clevis foot mounting LSNSG				
	32	31 740	LSNG-32		32	31 747	LSNSG-32	
	40	31 741	LSNG-40		40	31 748	LSNSG-40	
	50	31 742	LSNG-50		50	31 749	LSNSG-50	
	63	31 743	LSNG-63		63	31 750	LSNSG-63	
	80	31 744	LSNG-80		80	31 751	LSNSG-80	
	100	31 745	LSNG-100		100	31 752	LSNSG-100	
Clevis foot LBG on swivel flange SNCS				Clevis foot LBG on rod eye SGS				
	32	31 761	LBG-32		32, 40	31 761	LBG-32	
	40	31 762	LBG-40		50, 63	31 762	LBG-40	
	50	31 763	LBG-50		80	31 763	LBG-50	
	63	31 764	LBG-63			31 764	LBG-63	
	80	31 765	LBG-80		100	31 765	LBG-80	
	100	31 766	LBG-100			31 766	LBG-100	
Clevis foot, right-angled LQG								
	32, 40	31 768	LQG-32					
	50, 63	31 769	LQG-40					
	80		31 770	LQG-50				
			31 771	LQG-63				
	100		31 772	LQG-80				
		31 773	LQG-100					


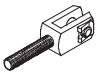
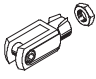
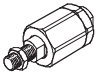
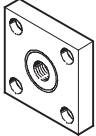
Ordering data				
Special screw	For Ø	For accessory	Part No.	PU ¹⁾
	80, 100	HNC, FNC, SNC, SNCS, SNCL, SNCB	238 600 M10x30	1
	80	ZNCF	204 138 M10x40	
	100	ZNCF	370 524 M10x50	

1) Packaging unit quantity

Short-stroke cylinders ADVC/AEVC

Accessories

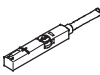
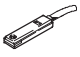
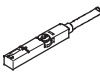
FESTO

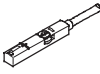
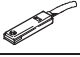
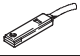
Ordering data – Piston rod attachments				Technical data → Internet: piston-rod attachment			
Designation	For Ø	Part No.	Type	Designation	For Ø	Part No.	Type
Rod eye SGS				Rod clevis SGA			
	10	9 253	SGS-M4		32	–	–
	16	9 254	SGS-M6		40		
	20	9 255	SGS-M8		50		
	25				63		
	32	9 261	SGS-M10x1,25		32	32 954	SGA-M10x1,25
	40				40		
	50	9 262	SGS-M12x1,25		50	10 767	SGA-M12x1,25
	63				63		
	80	9 263	SGS-M16x1,5		80	10 768	SGA-M16x1,5
	100	9 264	SGS-M20x1,5		100	10 769	SGA-M20x1,5
Rod clevis SG				Self-aligning rod coupler FK			
	10	6 532	SG-M4		10	6 528	FK-M4
	12	–	–		12	30 984	FK-M5
	16	3 110	SG-M6		16	2 061	FK-M6
	20	3 111	SG-M8		20	2 062	FK-M8
	25				25		
	32	6 144	SG-M10x1,25		32	6 140	FK-M10x1,25
	40				40		
	50	6 145	SG-M12x1,25		50	6 141	FK-M12x1,25
	63				63		
	80	6 146	SG-M16x1,5		80	6 142	FK-M16x1,5
100	6 147	SG-M20x1,5	100	6 143	FK-M20x1,5		
Coupling piece KSG							
	32	32 963	KSG-M10x1,25				
	40						
	50	32 964	KSG-M12x1,25				
	63						
	80	32 965	KSG-M16x1,5				
	100	32 966	KSG-M20x1,5				



Short-stroke cylinders ADVC/AEVC


Accessories

FESTO

Ordering data – Proximity sensors for T-slot, magneto-resistive					Technical data → Internet: smt	
	Type of mounting	Switch output	Electrical connection	Cable length [m]	Part No.	Type
N/O contact						
	Insertable in the slot from above, flush with cylinder profile	PNP	Cable, 3-wire	2.5	543 867	SMT-8M-PS-24V-K-2,5-OE
			Plug M8x1, 3-pin	0.3	543 866	SMT-8M-PS-24V-K-0,3-M8D
			Plug M12x1, 3-pin	0.3	543 869	SMT-8M-PS-24V-K-0,3-M12
	Insertable in the slot lengthwise, flush with the cylinder profile	PNP	Cable, 3-wire	2.5	543 870	SMT-8M-NS-24V-K-2,5-OE
			Plug M8x1, 3-pin	0.3	543 871	SMT-8M-NS-24V-K-0,3-M8D
N/C contact						
	Insertable in the slot from above, flush with cylinder profile	PNP	Cable, 3-wire	7.5	543 873	SMT-8M-PO-24V-K7,5-OE


Ordering data – Proximity sensors for T-slot, magnetic reed					Technical data → Internet: sme	
	Type of mounting	Switch output	Electrical connection	Cable length [m]	Part No.	Type
N/O contact						
	Insertable in the slot from above, flush with cylinder profile	Contacting	Cable, 3-wire	2.5	543 862	SME-8M-DS-24V-K-2,5-OE
				5.0	543 863	SME-8M-DS-24V-K-5,0-OE
			Plug M8x1, 3-pin	2.5	543 872	SME-8M-ZS-24V-K-2,5-OE
				0.3	543 861	SME-8M-DS-24V-K-0,3-M8D
	Insertable in the slot lengthwise, flush with the cylinder profile	Contacting	Cable, 3-wire	2.5	150 855	SME-8-K-LED-24
			Plug M8x1, 3-pin	0.3	150 857	SME-8-S-LED-24
N/C contact						
	Insertable in the slot lengthwise, flush with the cylinder profile	Contacting	Cable, 3-wire	7.5	160 251	SME-8-0-K-LED-24

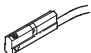
Ordering data – Connecting cables				Technical data → Internet: nebu	
	Electrical connection, left	Electrical connection, right	Cable length [m]	Part No.	Type
	Straight socket, M8x1, 3-pin	Cable, open end, 3-wire	2.5	541 333	NEBU-M8G3-K-2.5-LE3
			5	541 334	NEBU-M8G3-K-5-LE3
	Straight socket, M12x1, 5-pin	Cable, open end, 3-wire	2.5	541 363	NEBU-M12G5-K-2.5-LE3
			5	541 364	NEBU-M12G5-K-5-LE3
	Angled socket, M8x1, 3-pin	Cable, open end, 3-wire	2.5	541 338	NEBU-M8W3-K-2.5-LE3
			5	541 341	NEBU-M8W3-K-5-LE3
	Angled socket, M12x1, 5-pin	Cable, open end, 3-wire	2.5	541 367	NEBU-M12W5-K-2.5-LE3
			5	541 370	NEBU-M12W5-K-5-LE3



Ordering data – Slot cover for T-slot					
	Mounting	Length	Part No.	Type	
	Insertable from above	2x 0.5 m	151 680	ABP-5-S	



Short-stroke cylinders ADVC/AEVC

Accessories

Ordering data – Proximity switches for C-slot, magneto-resistive						Technical data → Internet: smt	
	Type of mounting	Switch output	Electrical connection, connection direction	Cable length [m]	Part No.	Type	
N/O contact							
	Insertable in the slot from above	PNP	Plug M8x1, 3-pin, in-line	0,3	551 375	SMT-10M-PS-24V-E-0,3-L-M8D	
			Cable, 3-wire, in-line	2,5	551 373	SMT-10M-PS-24V-E-2,5-L-OE	

Ordering data – Proximity switches for C-slot, magnetic reed						Technical data → Internet: sme	
	Type of mounting	Switch output	Electrical connection, connection direction	Cable length [m]	Part No.	Type	
N/O contact							
	Insertable in the slot lengthwise	Contacting	Plug M8x1, 3-pin, in-line	0,3	173 212	SME-10-SL-LED-24	
			Cable, 3-wire, in-line	2,5	173 210	SME-10-KL-LED-24	

Ordering data – Connecting cables					Technical data → Internet: nebu	
	Electrical connection, left	Electrical connection, right	Cable length [m]	Part No.	Type	
	Straight socket, M8x1, 3-pin	Cable, open end, 3-wire	2,5	541 333	NEBU-M8G3-K-2.5-LE3	
			5	541 334	NEBU-M8G3-K-5-LE3	
	Angled socket, M8x1, 3-pin	Cable, open end, 3-wire	2,5	541 338	NEBU-M8W3-K-2.5-LE3	
			5	541 341	NEBU-M8W3-K-5-LE3	

Ordering data – One-way flow control valves					Technical data → Internet: grl			
	Connection		Material	Part No.	Type			
	Thread	For tubing O.D.						
For exhaust air								
	M3	3	Metal design	175 041	GRLA-M3-QS-3			
		M5		3	193 137	GRLA-M5-QS-3-D		
				4	193 138	GRLA-M5-QS-4-D		
	6			193 139	GRLA-M5-QS-6-D			
	G1/8	3		193 142	GRLA-1/8-QS-3-D			
		4		193 143	GRLA-1/8-QS-4-D			
		6		193 144	GRLA-1/8-QS-6-D			
		8		193 145	GRLA-1/8-QS-8-D			
	G1/4	6		193 146	GRLA-1/4-QS-6-D			
		8		193 147	GRLA-1/4-QS-8-D			
		10		193 148	GRLA-1/4-QS-10-D			
	For supply air							
		M3		3	Metal design	175 043	GRLZ-M3-QS-3	
M5			3	193 153		GRLZ-M5-QS-3-D		
			4	193 154		GRLZ-M5-QS-4-D		
		6	193 155	GRLZ-M5-QS-6-D				
G1/8		3	193 156	GRLZ-1/8-QS-3-D				
		4	193 157	GRLZ-1/8-QS-4-D				
		6	193 158	GRLZ-1/8-QS-6-D				
		8	193 159	GRLZ-1/8-QS-8-D				