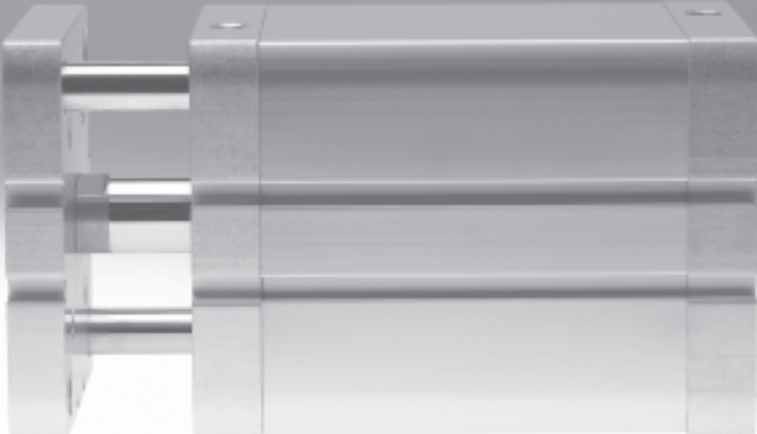


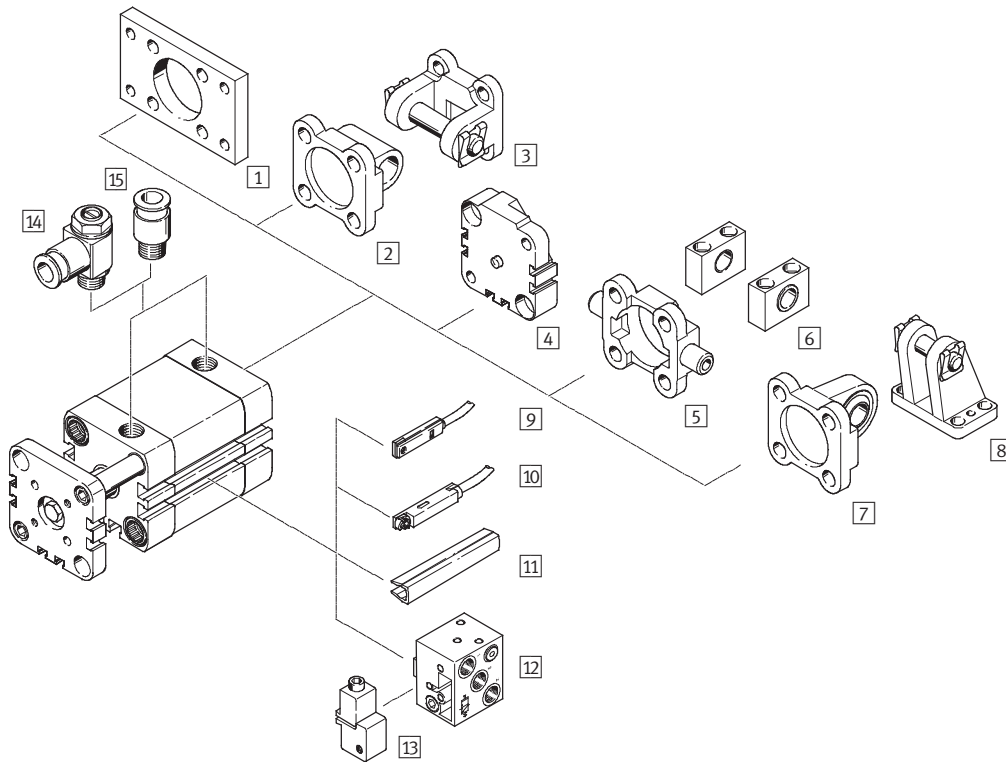
Compact cylinders ADNGF, standard port pattern



Compact cylinders ADNGF, standard port pattern

Peripherals overview

FESTO



Mounting attachments and accessories		
	Brief description	→ Page/Internet
1	Flange mounting FNC	For end caps 11
2	Swivel flange SNCL	For end caps 12
3	Swivel flange SNCB	For end caps 15
4	Multi-position kit DPNA	For connecting two cylinders with identical piston \varnothing to form a multi-position cylinder 14
5	Trunnion flange ZNCF/CRZNG	For end caps 16
6	Trunnion support LNZG	For trunnion flange ZNCF/CRZNG 17
7	Swivel flange SNCS	For end caps 13
8	Clevis foot LBG	For swivel flange SNCS 13
9	Proximity sensor SME/SMT-8	Can be integrated in the sensor slot of the cylinder profile barrel 19
10	Proximity sensor SME/SMT-8M	Can be integrated in the sensor slot of the cylinder profile barrel 19
11	Slot cover ABP-5-S	To protect the sensor cable and keep dirt out of the sensor slots 19
12	Proximity sensor SMPO-8E	Pneumatic output signal 20
13	Mounting kit SMB-8E	For proximity sensor SMPO-8E 20
14	One-way flow control valve GRLA/GRLZ	For speed regulation 18
15	Push-in fitting QS	For connecting compressed air tubing with standard external diameters quick star

Compact cylinders ADNGF, standard port pattern

Type codes

ADNGF – 50 – 25 – P – A – S6

Type

Double-acting	
ADNGF	Compact cylinder

Piston Ø [mm]

Stroke [mm]

Cushioning

P	Flexible cushioning rings/pads at both ends
---	---

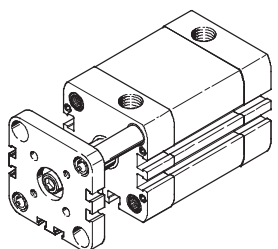
Position sensing

A	Via proximity sensor
---	----------------------

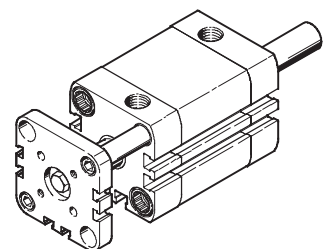
Variant

S2	Through piston rod
S6	Heat-resistant seals up to max. 120 °C
TL	Captive rating plate

With guide rods and yoke plate
ADNGF-...



With guide rods, yoke plate and through piston rod
ADNGF-...-S2

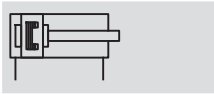


Compact cylinders ADNGF, standard port pattern

Technical data

FESTO

Function



- \varnothing - Diameter
12 ... 100 mm

- | - Stroke length
1 ... 400 mm

Variants



S2



S6



General technical data										
Piston \varnothing	12	16	20	25	32	40	50	63	80	100
Pneumatic connection	M5	M5	M5	M5	G $\frac{1}{8}$	G $\frac{1}{8}$	G $\frac{1}{8}$	G $\frac{1}{8}$	G $\frac{1}{8}$	G $\frac{1}{8}$
Constructional design	Piston									
	Piston rod									
	Cylinder barrel									
Cushioning	Flexible cushioning rings/pads at both ends									
Position sensing	Via proximity sensor									
Type of mounting	Via through-holes									
	Via female threads									
	Via accessories									
Mounting position	Any									

Operating and environmental conditions										
Piston \varnothing	12	16	20	25	32	40	50	63	80	100
Operating medium	Filtered compressed air, lubricated or unlubricated									
Operating pressure [bar]	1.5 ... 10			1 ... 10						
	S2	1.5 ... 10				1 ... 10				
Ambient temperature ¹⁾ [°C]	-20 ... +80									
	S6	0 ... +120								
Corrosion resistance class CRC ²⁾	2									

1) Note operating range of proximity sensors

2) Corrosion resistance class 2 to Festo standard 940 070

Components subject to moderate corrosion stress. Externally visible parts with primarily decorative surface requirements which are in direct contact with a normal industrial environment or media such as coolants or lubricating agents

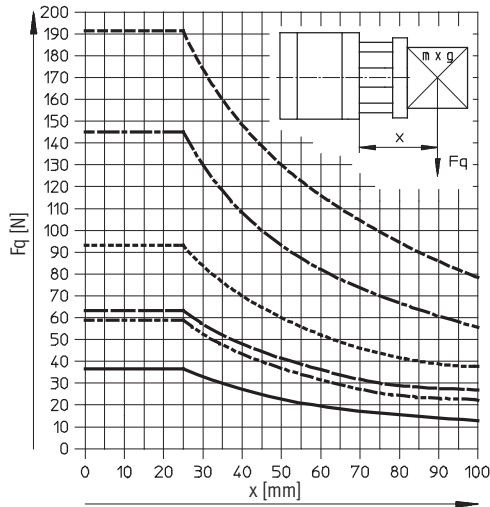
Forces [N] and impact energy [J]										
Piston \varnothing	12	16	20	25	32	40	50	63	80	100
Theoretical force at 6 bar, advancing	68									
	S2	51	90	141	247	415	686	1057	1750	2827
Theoretical force at 6 bar, retracting	51									
	S2	51	90	141	247	415	686	1057	1750	2827
Max. impact energy at the end positions	0.07	0.15	0.2	0.3	0.4	0.7	1.0	1.3	1.8	2.5

Compact cylinders ADNGF, standard port pattern

Technical data

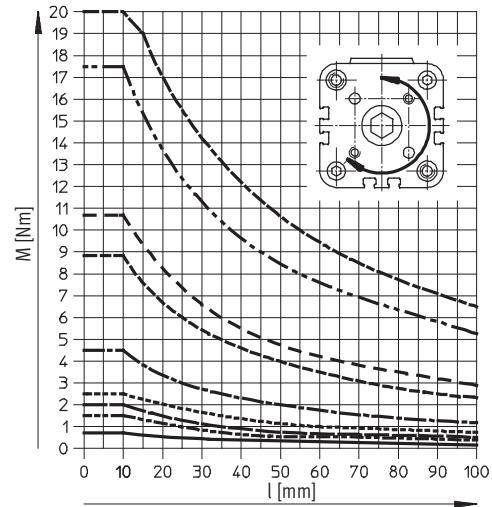
FESTO

Max. lateral force F_q as a function of the projection x



- $\varnothing 12/16$
- - - $\varnothing 20/25$
- $\varnothing 32$
- - - $\varnothing 40$
- $\varnothing 50/63$
- - - $\varnothing 80/100$

Torque M as a function of the stroke length l



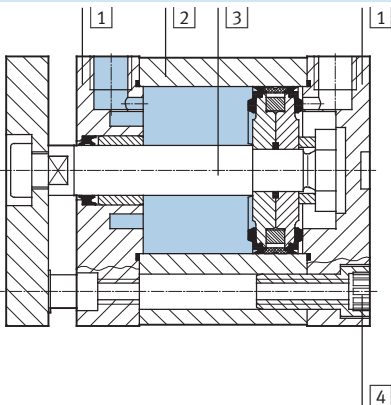
- $\varnothing 12/16$
- - - $\varnothing 20$
- $\varnothing 25$
- - - $\varnothing 32$
- $\varnothing 40$
- - - $\varnothing 50$
- $\varnothing 63$
- - - $\varnothing 80$
- - - $\varnothing 100$

Weight [g]

Piston \varnothing	12	16	20	25	32	40	50	63	80	100
Product weight with 0 mm stroke	90	93	161	191	327	430	687	915	1678	2673
Additional weight per 10 mm stroke	14	16	26	28	38	45	64	72	97	116
Moving load with 0 mm stroke	22	29	60	85	122	164	287	373	778	1089
Additional load per 10 mm stroke	4	6	11	11	17	17	29	29	43	43

Materials

Sectional view

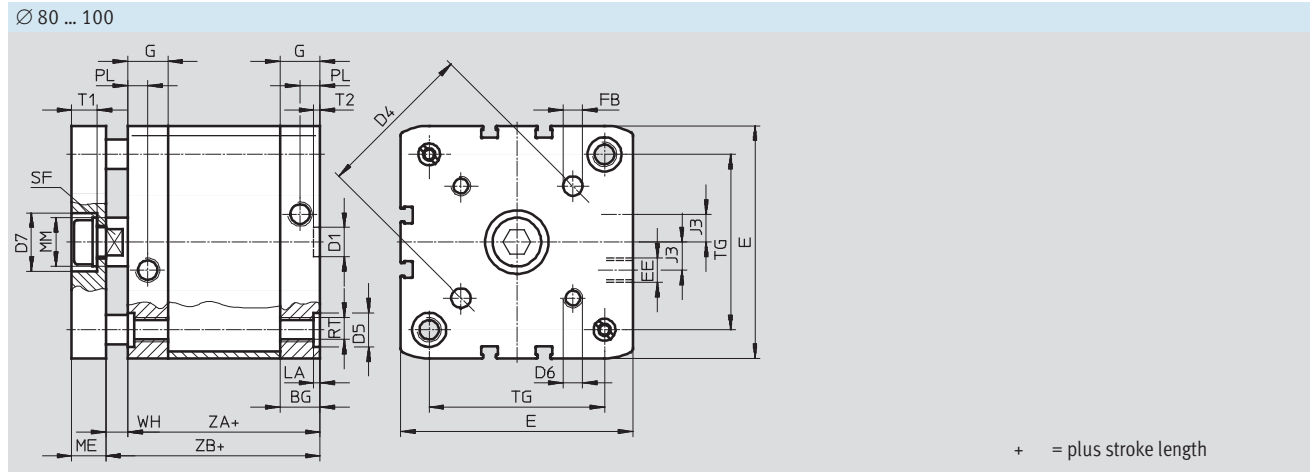
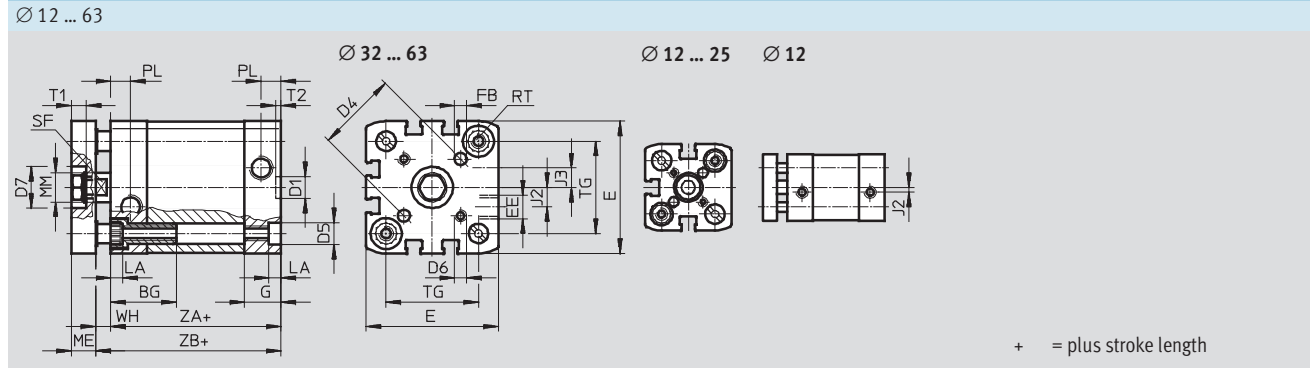


Compact cylinder	Basic version	S6
1 Cover	Anodised aluminium	
2 Cylinder barrel	Anodised aluminium	
3 Piston rod	High-alloy steel	
4 Flange screws	$\varnothing 12 \dots 16$	High-alloy steel
	$\varnothing 20 \dots 63$	Galvanised steel
	$\varnothing 80 \dots 100$	Standard screws, galvanised steel
- Seals	Polyurethane	Fluoro elastomer

Compact cylinders ADNGF, standard port pattern

Technical data

Dimensions – Basic version Download CAD data → www.festo.com



Ø [mm]	BG min.	D1 Ø H9	D4 Ø	D5 Ø F9	D6	D7 Ø H9	E	EE	FB Ø H8	G	J2	J3
12	17	9	12	6	M3	-	27.5 ^{+0.3}	M5	3	10.5	2	-
16			14		M4		29 ^{+0.3}			11		
20	17		M5	14	5		12		6			
25	19.5			22		17				8		
32	26	12	28	12	M6	22	47 ^{+0.3}	G ¹ / ₈	6	15	11.5	
40			33				54.5 ^{+0.3}					
50	27	12	42	15	M8	24	65.5 ^{+0.3}		8	16.5	20	
63			50				75.5 ^{+0.3}					
80	17	12	65	15	M10	24	95.5 ^{+0.6}	10	21.5	20		
100	21.5		80				113.5 ^{+0.6}					

Ø [mm]	LA +0.2	ME	MM Ø h8	PL +0.2	RT	SF h13	T1	T2 +0.1	TG ±0.2	WH +1.3	ZA ±0.3	ZB +1.2
12	3.5	6	6	6	M4	5	-	2.1	16	4.2	35	39.2
16			8			7			18	4.7		39.7
20	5	8	10	8.2	M5	9	5		22	5.5	37	42.5
25						26	39		44.5			
32	5	10	12	8.2	M6	10	6	32.5	6	44	50	
40						38	6.1	45	51.1			
50	5	12	16	8.2	M8	13	7.5	46.5	8.2	49	57.1	
63						56.5	8.1	54	62.9			
80	2.6	14	20	10.5	M10	17	10.5	72	8.9	67	76	
100						89	9	67	76			

Compact cylinders ADNGF, standard port pattern

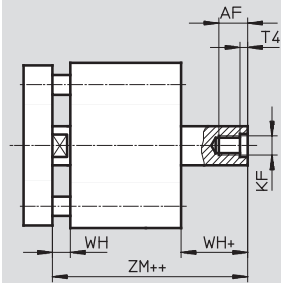
Technical data

FESTO

Dimensions – Variant

Download CAD data → www.festo.com

S2 – Through piston rod




+ = plus stroke length
++ = plus 2x stroke length

∅	AF	KF	T4	WH	ZM
[mm]	min.			+1.3	
12	8	M3	1.5	4.2	44.5 ^{+0.5}
16	10	M4		4.7	45.7 ^{+0.5}
20	14	M6	2.6	5.5	49.5 ^{+0.5}
25					51.5 ^{+0.5}
32	16	M8	3.3	6	57.5 ^{+0.5}
40				6.1	58.6 ^{+0.6}
50	20	M10	4.7	8.2	62.8 ^{+0.6}
63				8.1	66.6 ^{+0.6}
80		M12	6.1	8.9	73.2 ^{+0.6}
100				9	86.4 ^{+0.6}

Compact cylinders ADNGF, standard port pattern


FESTO

Technical data

Ordering data				
Type	Piston Ø [mm]	Stroke [mm]	Non-rotating with yoke	
			Part No.	Type
	12	5	554 205	ADNGF-12-5-P-A
		10	554 206	ADNGF-12-10-P-A
		15	554 207	ADNGF-12-15-P-A
		20	554 208	ADNGF-12-20-P-A
		25	554 209	ADNGF-12-25-P-A
		30	554 210	ADNGF-12-30-P-A
		40	554 211	ADNGF-12-40-P-A
	16	5	554 212	ADNGF-16-5-P-A
		10	554 213	ADNGF-16-10-P-A
		15	554 214	ADNGF-16-15-P-A
		20	554 215	ADNGF-16-20-P-A
		25	554 216	ADNGF-16-25-P-A
		30	554 217	ADNGF-16-30-P-A
		40	554 218	ADNGF-16-40-P-A
	20	5	554 220	ADNGF-20-5-P-A
		10	554 221	ADNGF-20-10-P-A
		15	554 222	ADNGF-20-15-P-A
		20	554 223	ADNGF-20-20-P-A
		25	554 224	ADNGF-20-25-P-A
		30	554 225	ADNGF-20-30-P-A
		40	554 226	ADNGF-20-40-P-A
		50	554 227	ADNGF-20-50-P-A
		60	554 228	ADNGF-20-60-P-A
	25	5	554 229	ADNGF-25-5-P-A
		10	554 230	ADNGF-25-10-P-A
		15	554 231	ADNGF-25-15-P-A
		20	554 232	ADNGF-25-20-P-A
		25	554 233	ADNGF-25-25-P-A
		30	554 234	ADNGF-25-30-P-A
		40	554 235	ADNGF-25-40-P-A
		50	554 236	ADNGF-25-50-P-A
	32	5	554 238	ADNGF-32-5-P-A
10		554 239	ADNGF-32-10-P-A	
15		554 240	ADNGF-32-15-P-A	
20		554 241	ADNGF-32-20-P-A	
25		554 242	ADNGF-32-25-P-A	
30		554 243	ADNGF-32-30-P-A	
40		554 244	ADNGF-32-40-P-A	
50		554 245	ADNGF-32-50-P-A	
60		554 246	ADNGF-32-60-P-A	
80		554 247	ADNGF-32-80-P-A	

Compact cylinders ADNGF, standard port pattern

Technical data

Ordering data					
Type	Piston Ø [mm]	Stroke [mm]	Non-rotating with yoke		
			Part No.	Type	
	40	5	554 248	ADNGF-40-5-P-A	
		10	554 249	ADNGF-40-10-P-A	
		15	554 250	ADNGF-40-15-P-A	
		20	554 251	ADNGF-40-20-P-A	
		25	554 252	ADNGF-40-25-P-A	
		30	554 253	ADNGF-40-30-P-A	
		40	554 254	ADNGF-40-40-P-A	
		50	554 255	ADNGF-40-50-P-A	
		60	554 256	ADNGF-40-60-P-A	
	80	554 257	ADNGF-40-80-P-A		
	50	50	5	554 258	ADNGF-50-5-P-A
			10	554 259	ADNGF-50-10-P-A
			15	554 260	ADNGF-50-15-P-A
			20	554 261	ADNGF-50-20-P-A
			25	554 262	ADNGF-50-25-P-A
			30	554 263	ADNGF-50-30-P-A
			40	554 264	ADNGF-50-40-P-A
			50	554 265	ADNGF-50-50-P-A
			60	554 266	ADNGF-50-60-P-A
	80	554 267	ADNGF-50-80-P-A		
	63	63	10	554 268	ADNGF-63-10-P-A
			15	554 269	ADNGF-63-15-P-A
			20	554 270	ADNGF-63-20-P-A
			25	554 271	ADNGF-63-25-P-A
			30	554 272	ADNGF-63-30-P-A
			40	554 273	ADNGF-63-40-P-A
			50	554 274	ADNGF-63-50-P-A
			60	554 275	ADNGF-63-60-P-A
	80	80	10	554 277	ADNGF-80-10-P-A
			15	554 278	ADNGF-80-15-P-A
			20	554 279	ADNGF-80-20-P-A
			25	554 280	ADNGF-80-25-P-A
			30	554 281	ADNGF-80-30-P-A
			40	554 282	ADNGF-80-40-P-A
			50	554 283	ADNGF-80-50-P-A
			60	554 284	ADNGF-80-60-P-A
100	100	10	554 286	ADNGF-100-10-P-A	
		15	554 287	ADNGF-100-15-P-A	
		20	554 288	ADNGF-100-20-P-A	
		25	554 289	ADNGF-100-25-P-A	
		30	554 290	ADNGF-100-30-P-A	
		40	554 291	ADNGF-100-40-P-A	
		50	554 292	ADNGF-100-50-P-A	
		60	554 293	ADNGF-100-60-P-A	
80	554 294	ADNGF-100-80-P-A			

Compact cylinders ADNGF, standard port pattern

Ordering data – Modular products

M Mandatory data						O Options		
Module No.	Function	Size	Stroke	Cushioning	Position sensing	Type of piston rod	Temperature resistance	Captive rating plate
537 123	ADNGF	12	1 ... 400	P	A	S2		
537 124								
537 125								
537 126								
537 127								
537 128								
537 129								
537 130								
537 131								
537 132								
Order example								
537 128	ADNGF	- 40	- 250	- P	- A	- S2	- S6	- TL

Ordering table													
Size	12	16	20	25	32	40	50	63	80	100	Condi- tions	Code	Enter code
M Module No.	537 123	537 124	537 125	537 126	537 127	537 128	537 129	537 130	537 131	537 132			
Function	Compact cylinder, double-acting, standard port pattern										ADNGF	ADNGF	
Size [mm]	12	16	20	25	32	40	50	63	80	100		-...	
Stroke [mm]	1 ... 200		3 ... 200		5 ... 300			5 ... 400				-...	
Cushioning	Flexible cushioning rings/pads at both ends										-P	-P	
Position sensing	Via proximity sensor										-A	-A	
O Type of piston rod	Through piston rod										-S2		
Temperature resistance	Heat-resistant seals up to max. 120 °C										¹	-S6	
Captive rating plate	Laser etched rating plate										-TL		

¹ S6 Max. stroke: 250 mm

Transfer order code

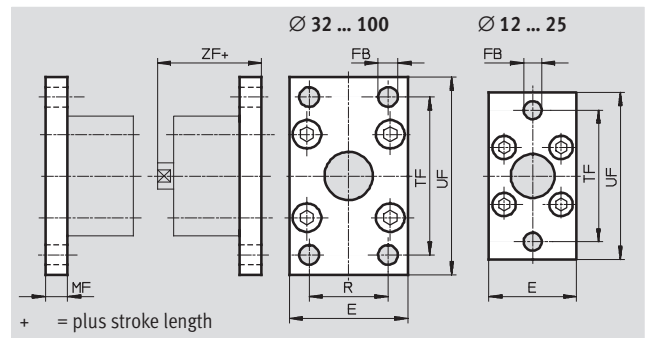
	ADNGF	-		-		-	P	-	A	-		-		-	
--	-------	---	--	---	--	---	---	---	---	---	--	---	--	---	--

Compact cylinders ADNGF, standard port pattern

Accessories

Flange mounting FNC

Material:
Galvanised steel
Free of copper, PTFE and silicone



Dimensions and ordering data											
For Ø	E	FB	MF	R	TF	UF	ZF	CRC ¹⁾	Weight	Part No.	Type
[mm]		Ø				±1			[g]		
12	28	5.5	8	-	40	50	48	2	80	537 245	FNC-12
16	29				43	55					
20	36	6.6			55	70	51	2	145	537 247	FNC-20
25	40				60	76	53	2	170	537 248	FNC-25
32	45	7	10	32	64	80	60	2	240	174 376	FNC-32
40	54	9		36	72	90	61	2	280	174 377	FNC-40
50	65		12	45	90	110	65	2	520	174 378	FNC-50
63	75			50	100	120	69	2	690	174 379	FNC-63
80	93	12	16	63	126	150	79	2	1650	174 380	FNC-80
100	110	14		75	150	175	92	2	2400	174 381	FNC-100

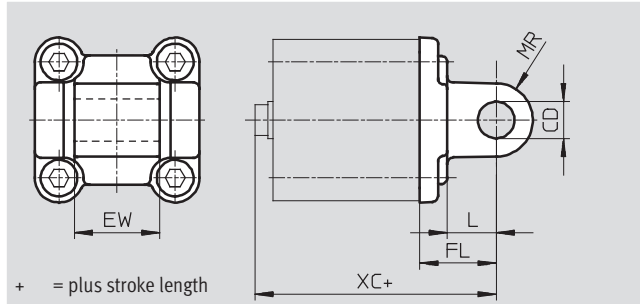
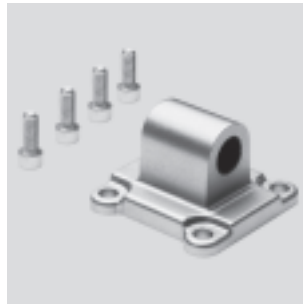
1) Corrosion resistance class 2 to Festo standard 940 070
Components subject to moderate corrosion stress. Externally visible parts with primarily decorative surface requirements which are in direct contact with a normal industrial environment or media such as coolants or lubricating agents

Compact cylinders ADNGF, standard port pattern

Accessories

Swivel flange SNCL

Material:
 SNCL: Die-cast aluminium
 SNCL-...-R3: Die-cast aluminium with protective coating
 Free of copper, PTFE and silicone



Dimensions and ordering data						
For \varnothing	CD	EW	FL	L	MR	XC
[mm]	\varnothing H9		± 0.2			
12	6	12 _{h12}	16	10	6	56
16						
20	8	16 _{h12}	20	14	8	63
25						65
32	10	26 _{-0.2/-0.6}	22	13	10	72
40	12	28 _{-0.2/-0.6}	25	16	12	76
50		32 _{-0.2/-0.6}	27			80
63	16	40 _{-0.2/-0.6}	32	21	16	89
80		50 _{-0.2/-0.6}	36			22
100	20	60 _{-0.2/-0.6}	41	27	20	117

For \varnothing	Basic version				R3 – High corrosion protection			
	CRC ¹⁾	Weight [g]	Part No.	Type	CRC ¹⁾	Weight [g]	Part No.	Type
[mm]								
12	2	20	537 790	SNCL-12	3	20	537 794	SNCL-12-R3
16	2	25	537 791	SNCL-16	3	25	537 795	SNCL-16-R3
20	2	40	537 792	SNCL-20	3	40	537 796	SNCL-20-R3
25	2	45	537 793	SNCL-25	3	45	537 797	SNCL-25-R3
32	2	85	174 404	SNCL-32	–	–	–	–
40	2	115	174 405	SNCL-40	–	–	–	–
50	2	180	174 406	SNCL-50	–	–	–	–
63	2	270	174 407	SNCL-63	–	–	–	–
80	2	480	174 408	SNCL-80	–	–	–	–
100	2	700	174 409	SNCL-100	–	–	–	–

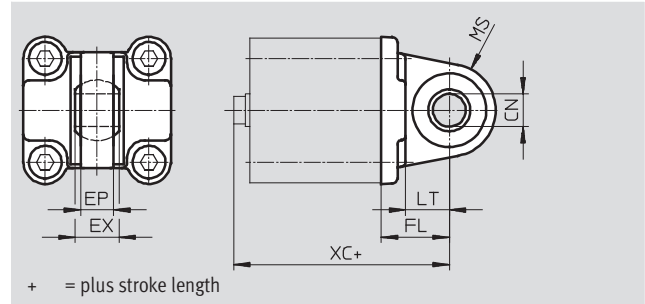
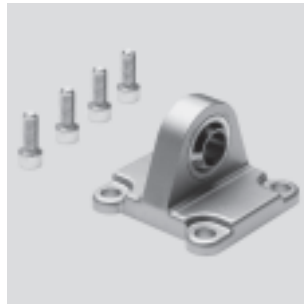
1) Corrosion resistance class 2 to Festo standard 940 070
 Components subject to moderate corrosion stress. Externally visible parts with primarily decorative surface requirements which are in direct contact with a normal industrial environment or media such as coolants or lubricating agents.
 Corrosion resistance class 3 to Festo standard 940 070
 Components requiring higher corrosion resistance. External visible parts in direct contact with industrial atmospheres or media such as solvents and cleaning agents, with a predominantly functional requirement for the surface

Compact cylinders ADNGF, standard port pattern

Accessories

Swivel flange SNCS

Material:
Die-cast aluminium



+ = plus stroke length

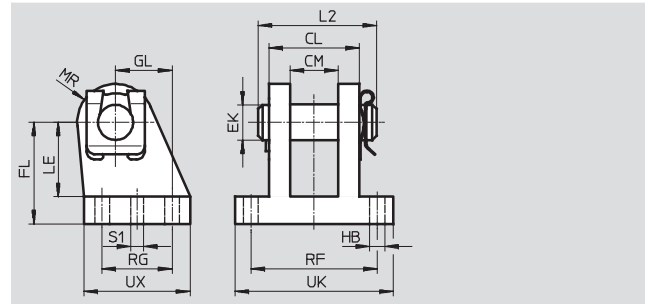
Dimensions and ordering data											
For \varnothing	CN	EP	EX	FL	LT	MS	XC	CRC ¹⁾	Weight	Part No.	Type
[mm]	\varnothing H7	± 0.2		± 0.2					[g]		
32	10	10.5	14	22	13	15	66	2	85	174 397	SNCS-32
40	12	12	16	25	16	17	70	2	125	174 398	SNCS-40
50	16	15	21	27	16	20	72	2	210	174 399	SNCS-50
63	16	15	21	32	21	22	81	2	280	174 400	SNCS-63
80	20	18	25	36	22	27	90	2	540	174 401	SNCS-80
100	20	18	25	41	27	29	108	2	700	174 402	SNCS-100

1) Corrosion resistance class 2 to Festo standard 940 070
Components subject to moderate corrosion stress. Externally visible parts with primarily decorative surface requirements which are in direct contact with a normal industrial environment or media such as coolants or lubricating agents

Clevis foot LBG

The clevis foot is secured against rotation with a dowel pin.

Material:
Nodular graphite cast iron
Free of copper, PTFE and silicone



Dimensions and ordering data																		
For \varnothing	CL	CM	EK	FL	GL	HB	L2	LE	MR	RF	RG	S1	UK	UX	CRC ¹⁾	Weight	Part No.	Type
[mm]	± 0.2		\varnothing			\varnothing						\varnothing			[g]			
32	28	14.1	10	32	16 ± 0.25	6.8	35	24	12	42	20 ± 0.3	4.8	56	36	2	220	31 761	LBG-32
40	30	16.1	12	36	20 ± 0.3	6.8	39	26	14	44	26 ± 0.3	5.8	58	41.5	2	300	31 762	LBG-40
50	40	21.1	16	45	25 ± 0.3	9.2	50	33	15	56	31 ± 0.4	5.8	70	47	2	540	31 763	LBG-50
63	40	21.1	16	50	25 ± 0.3	9	50	38	17	56	31 ± 0.4	7.8	70	45	2	580	31 764	LBG-63
80	50	25.1	20	63	30	11	60	49	18	70	36	7.8	89	55	2	1050	31 765	LBG-80
100	50	25.1	20	71	41	11	60	56	22	70	46	9.8	89	65	2	1375	31 766	LBG-100

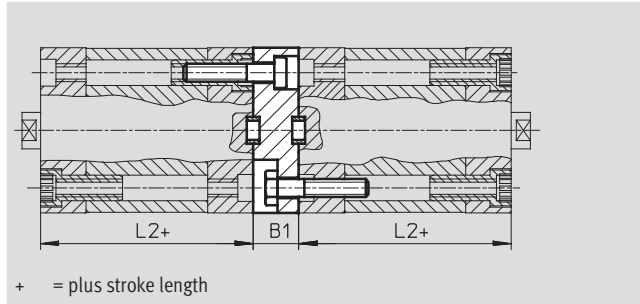
1) Corrosion resistance class 2 to Festo standard 940 070
Components subject to moderate corrosion stress. Externally visible parts with primarily decorative surface requirements which are in direct contact with a normal industrial environment or media such as coolants or lubricating agents

Compact cylinders ADNGF, standard port pattern


Accessories

Multi-position kit DPNA

Material:
 Flange: Aluminium
 Screws: Galvanised steel
 Free of copper, PTFE and silicone



Dimensions and ordering data					
For Ø [mm]	L2	B1	Max. overall stroke length [mm]	CRC ¹⁾	Part No. Type
12	35	13	600	2	537 263 DPNA-12
16			600	2	537 264 DPNA-16
20	37		600	2	537 265 DPNA-20
25	39		600	2	537 266 DPNA-25
32	44		800	2	537 267 DPNA-32
40	45	15	800	2	537 268 DPNA-40
50			800	2	537 269 DPNA-50
63			800	2	537 270 DPNA-63
80	54	17	1000	2	537 271 DPNA-80
100	67	19.5	1000	2	537 272 DPNA-100

-  - Note
 The maximum overall stroke length may not be exceeded when combining cylinders and multi-position kits.

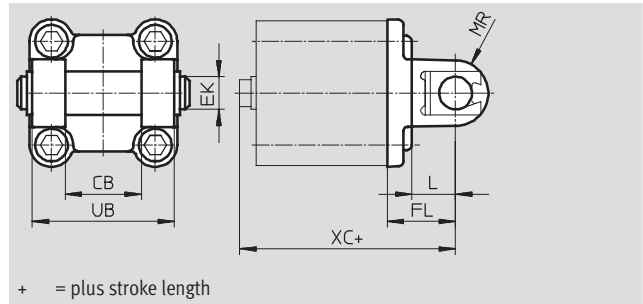
1) Corrosion resistance class 2 to Festo standard 940 070
 Components subject to moderate corrosion stress. Externally visible parts with primarily decorative surface requirements which are in direct contact with a normal industrial environment or media such as coolants or lubricating agents

Compact cylinders ADNGF, standard port pattern

Accessories

Swivel flange SNCB/SNCB-...-R3

Material:
SNCB: Die-cast aluminium
SNCB-...-R3: Die-cast aluminium with protective coating, high corrosion protection
Free of copper, PTFE and silicone



Dimensions and ordering data							
For Ø	CB	EK	FL	L	MR	UB	XC
[mm]	H14	Ø e8	±0.2			h14	
32	26	10	22	13	8.5	45	72
40	28	12	25	16	12	52	76
50	32	12	27	16	12	60	80
63	40	16	32	21	16	70	89
80	50	16	36	22	16	90	99
100	60	20	41	27	20	110	117

For Ø [mm]	Basic version				R3 – High corrosion protection			
	CRC ¹⁾	Weight [g]	Part No.	Type	CRC ¹⁾	Weight [g]	Part No.	Type
32	2	100	174 390	SNCB-32	3	100	176 944	SNCB-32-R3
40	2	150	174 391	SNCB-40	3	150	176 945	SNCB-40-R3
50	2	225	174 392	SNCB-50	3	225	176 946	SNCB-50-R3
63	2	365	174 393	SNCB-63	3	365	176 947	SNCB-63-R3
80	2	610	174 394	SNCB-80	3	610	176 948	SNCB-80-R3
100	2	925	174 395	SNCB-100	3	925	176 949	SNCB-100-R3

1) Corrosion resistance class 2 to Festo standard 940 070
Components subject to moderate corrosion stress. Externally visible parts with primarily decorative surface requirements which are in direct contact with a normal industrial environment or media such as coolants or lubricating agents.
Corrosion resistance class 3 to Festo standard 940 070
Components requiring higher corrosion resistance. External visible parts in direct contact with industrial atmospheres or media such as solvents and cleaning agents, with a predominantly functional requirement for the surface

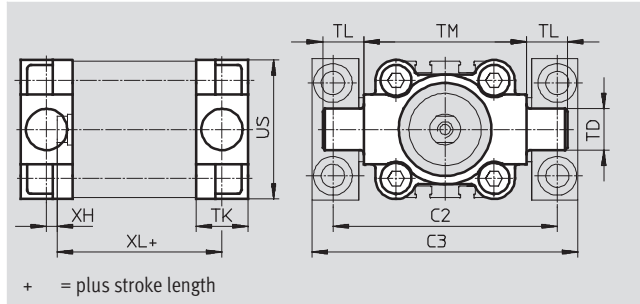
Compact cylinders ADNGF, standard port pattern

Accessories

Trunnion flange ZNCF/CRZNG

Material:

- ZNCF: Special steel casting
- CRZNG: Electrolytically polished special steel casting
- Free of copper, PTFE and silicone



Dimensions and ordering data									
For Ø	C2	C3	TD	TK	TL	TM	US	XH	XL
[mm]			Ø						
			e9						
32	71	86	12	16	12	50	45	2	52
40	87	105	16	20	16	63	54	4	55
50	99	117	16	24	16	75	64	4	57
63	116	136	20	24	20	90	75	4	61
80	136	156	20	28	20	110	93	5	81
100	164	189	25	38	25	132	110	10	86

For Ø	Basic version				R3 – High corrosion protection			
	CRC ¹⁾	Weight [g]	Part No.	Type	CRC ¹⁾	Weight [g]	Part No.	Type
[mm]								
32	2	150	174 411	ZNCF-32	4	150	161 852	CRZNG-32
40	2	285	174 412	ZNCF-40	4	285	161 853	CRZNG-40
50	2	473	174 413	ZNCF-50	4	473	161 854	CRZNG-50
63	2	687	174 414	ZNCF-63	4	687	161 855	CRZNG-63
80	2	1296	174 415	ZNCF-80	4	1296	161 856	CRZNG-80
100	2	2254	174 416	ZNCF-100	4	2254	161 857	CRZNG-100

1) Corrosion resistance class 2 to Festo standard 940 070
 Components subject to moderate corrosion stress. Externally visible parts with primarily decorative surface requirements which are in direct contact with a normal industrial environment or media such as coolants or lubricating agents.
 Corrosion resistance class 4 to Festo standard 940 070
 Components requiring higher corrosion resistance. Parts used with aggressive media, e.g. food or chemical industry. These applications should be supported with special tests with the media if required

Compact cylinders ADNGF, standard port pattern

Accessories

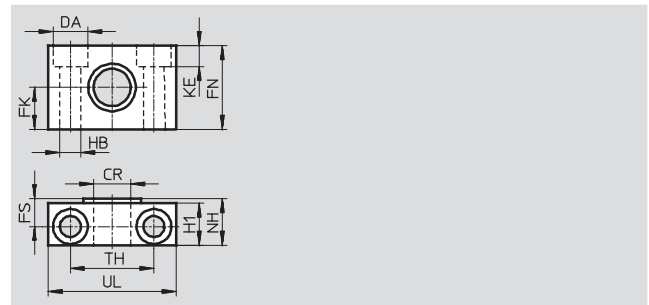
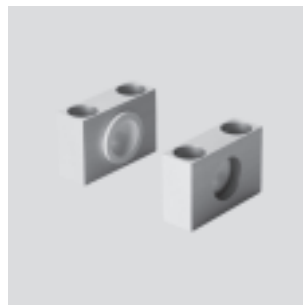
Trunnion support LNZG

Material:

Trunnion support: Anodised aluminium

Plain bearing: Plastic

Free of copper, PTFE and silicone





Dimensions and ordering data														Weight	Part No.	Type
For \varnothing	CR	DA	FK	FN	FS	H1	HB	KE	NH	TH	UL	CRC ¹⁾	Weight	Part No.	Type	
[mm]	\varnothing D11	\varnothing H13	\varnothing ± 0.1				\varnothing H13			± 0.2			[g]			
32	12	11	15	30	10.5	15	6.6	6.8	18	32	46	2	125	32 959	LNZG-32	
40, 50	16	15	18	36	12	18	9	9	21	36	55	2	400	32 960	LNZG-40/50	
63, 80	20	18	20	40	13	20	11	11	23	42	65	2	480	32 961	LNZG-63/80	
100	25	20	25	50	16	24.5	14	13	28.5	50	75	2	960	32 962	LNZG-100/125	

1) Corrosion resistance class 2 to Festo standard 940 070
 Components subject to moderate corrosion stress. Externally visible parts with primarily decorative surface requirements which are in direct contact with a normal industrial environment or media such as coolants or lubricating agents

Compact cylinders ADNGF, standard port pattern

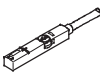
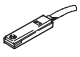
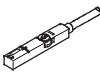
Accessories

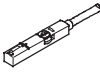
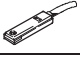
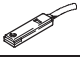
Ordering data – One-way flow control valves				Technical data → Internet: grl			
	Connection		Material	Part No.	Type		
	For Ø	For tubing O.D.					
For exhaust air							
	12, 16, 20, 25	3	Metal design	193 137	GRLA-M5-QS-3-D		
		4		193 138	GRLA-M5-QS-4-D		
		6		193 139	GRLA-M5-QS-6-D		
	32, 40, 50, 63, 80, 100	3		193 142	GRLA-1/8-QS-3-D		
		4		193 143	GRLA-1/8-QS-4-D		
		6		193 144	GRLA-1/8-QS-6-D		
		8		193 145	GRLA-1/8-QS-8-D		
	For supply air						
		12, 16, 20, 25		3	Metal design	193 153	GRLZ-M5-QS-3-D
				4		193 154	GRLZ-M5-QS-4-D
6			193 155	GRLZ-M5-QS-6-D			
32, 40, 50, 63, 80, 100		3	193 156	GRLZ-1/8-QS-3-D			
		4	193 157	GRLZ-1/8-QS-4-D			
		6	193 158	GRLZ-1/8-QS-6-D			
		8	193 159	GRLZ-1/8-QS-8-D			



Compact cylinders ADNGF, standard port pattern

Accessories

FESTO

Ordering data – Proximity sensors for T-slot, magneto-resistive					Technical data → Internet: smt	
	Type of mounting	Switch output	Electrical connection	Cable length [m]	Part No.	Type
N/O contact						
	Insertable in the slot from above, flush with cylinder profile	PNP	Cable, 3-wire	2.5	543 867	SMT-8M-PS-24V-K-2,5-OE
			Plug M8x1, 3-pin	0.3	543 866	SMT-8M-PS-24V-K-0,3-M8D
			Plug M12x1, 3-pin	0.3	543 869	SMT-8M-PS-24V-K-0,3-M12
	Insertable in the slot lengthwise, flush with the cylinder profile	PNP	Cable, 3-wire	2.5	543 870	SMT-8M-NS-24V-K-2,5-OE
			Plug M8x1, 3-pin	0.3	543 871	SMT-8M-NS-24V-K-0,3-M8D
N/C contact						
	Insertable in the slot from above, flush with cylinder profile	PNP	Cable, 3-wire	7.5	543 873	SMT-8M-PO-24V-K7,5-OE

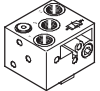
Ordering data – Proximity sensors for T-slot, magnetic reed					Technical data → Internet: sme	
	Type of mounting	Switch output	Electrical connection	Cable length [m]	Part No.	Type
N/O contact						
	Insertable in the slot from above, flush with cylinder profile	Contacting	Cable, 3-wire	2.5	543 862	SME-8M-DS-24V-K-2,5-OE
				5.0	543 863	SME-8M-DS-24V-K-5,0-OE
			Plug M8x1, 3-pin	2.5	543 872	SME-8M-ZS-24V-K-2,5-OE
				0.3	543 861	SME-8M-DS-24V-K-0,3-M8D
	Insertable in the slot lengthwise, flush with the cylinder profile	Contacting	Cable, 3-wire	2.5	150 855	SME-8-K-LED-24
			Plug M8x1, 3-pin	0.3	150 857	SME-8-S-LED-24
N/C contact						
	Insertable in the slot lengthwise, flush with the cylinder profile	Contacting	Cable, 3-wire	7.5	160 251	SME-8-O-K-LED-24

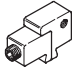
Ordering data – Connecting cables				Technical data → Internet: nebu	
	Electrical connection, left	Electrical connection, right	Cable length [m]	Part No.	Type
	Straight socket, M8x1, 3-pin	Cable, open end, 3-wire	2.5	541 333	NEBU-M8G3-K-2.5-LE3
			5	541 334	NEBU-M8G3-K-5-LE3
	Straight socket, M12x1, 5-pin	Cable, open end, 3-wire	2.5	541 363	NEBU-M12G5-K-2.5-LE3
			5	541 364	NEBU-M12G5-K-5-LE3
	Angled socket, M8x1, 3-pin	Cable, open end, 3-wire	2.5	541 338	NEBU-M8W3-K-2.5-LE3
			5	541 341	NEBU-M8W3-K-5-LE3
	Angled socket, M12x1, 5-pin	Cable, open end, 3-wire	2.5	541 367	NEBU-M12W5-K-2.5-LE3
			5	541 370	NEBU-M12W5-K-5-LE3

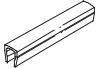
Compact cylinders ADNGF, standard port pattern

FESTO

Accessories

Ordering data – Rectangular proximity sensors, pneumatic		Technical data → Internet: smpo	
Pneumatic connection	Part No.	Type	
3/2-way valve, normally closed			
	Female thread M5	178 563	SMPO-8E

Ordering data – Mounting kit for proximity sensors SMPO-8E		Technical data → Internet: smb	
Assembly	Part No.	Type	
	Clamped in T-slot	178 230	SMB-8E

Ordering data – Slot cover for T-slot			
Assembly	Length	Part No.	Type
	Insertable from above	2x 0.5 m	151 680 ABP-5-S